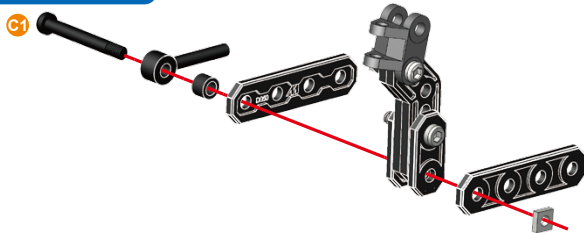




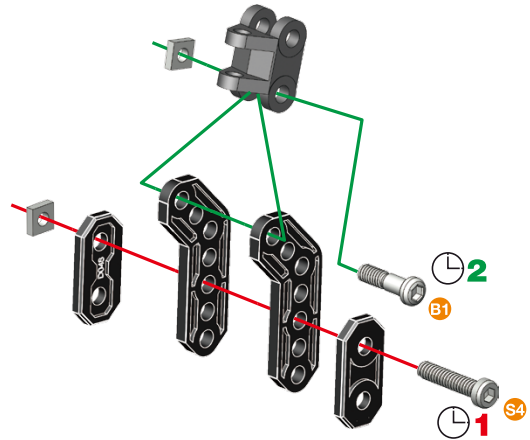
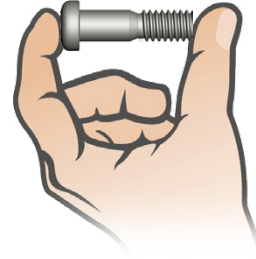
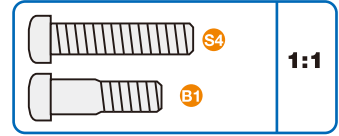
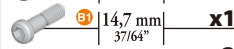
2

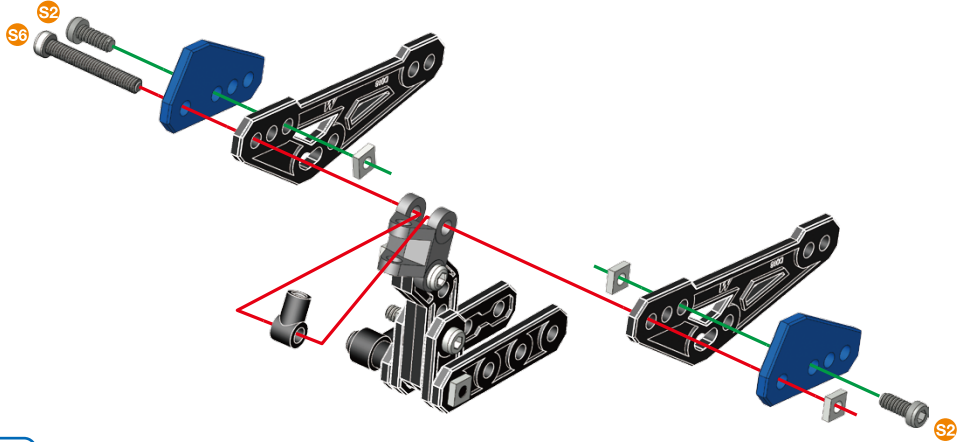
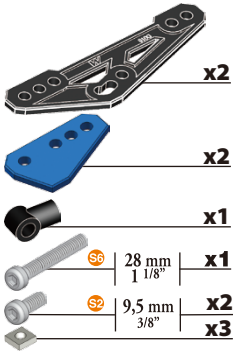
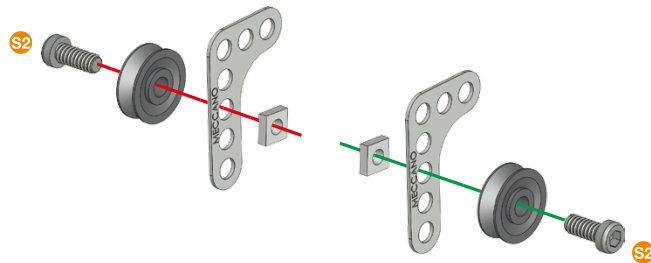
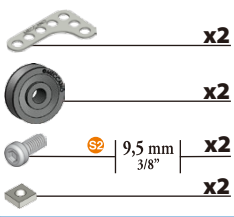


1:1







1

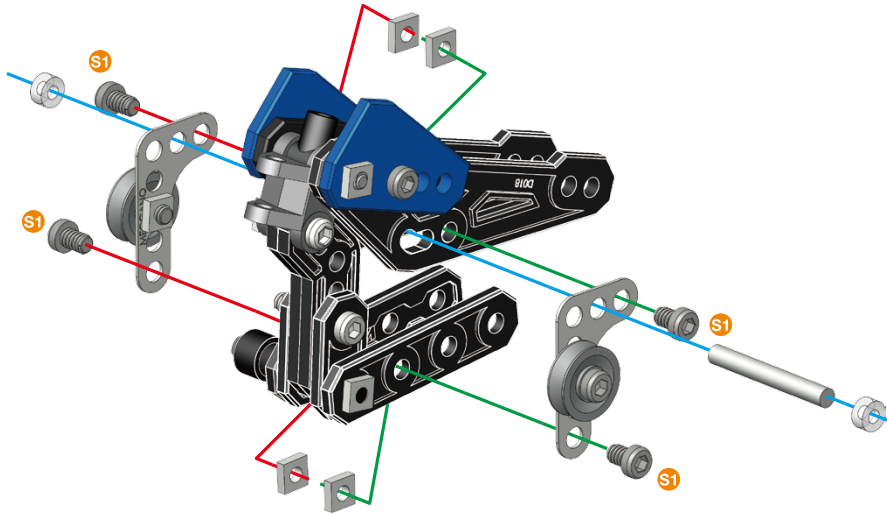








3**4**

5**③ + ④ +**

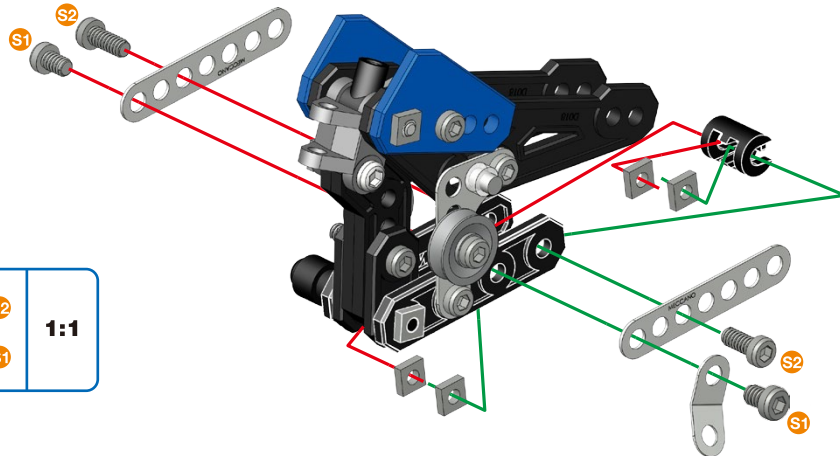
	32 mm 1 1/4"	x1
		x2
	5,8 mm 15/64"	x4
		x4

	S1	1:1
	S1	

**6**

		x2
		x1
		x1
	9,5 mm 3/8"	x2
	5,8 mm 15/64"	x2
		x4

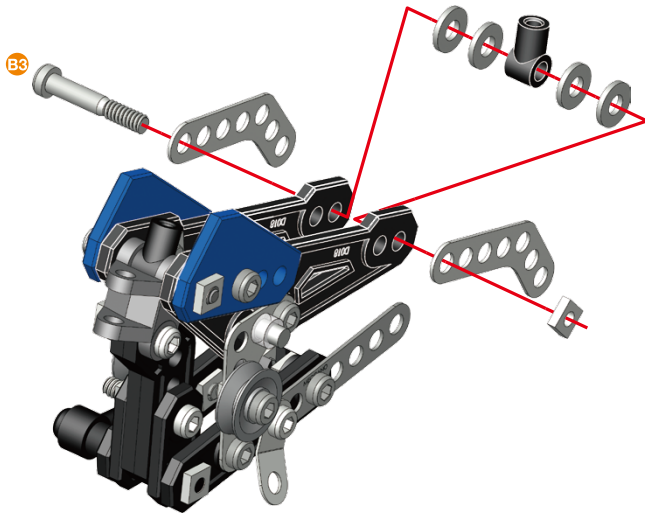
	S2	1:1
	S1	



7

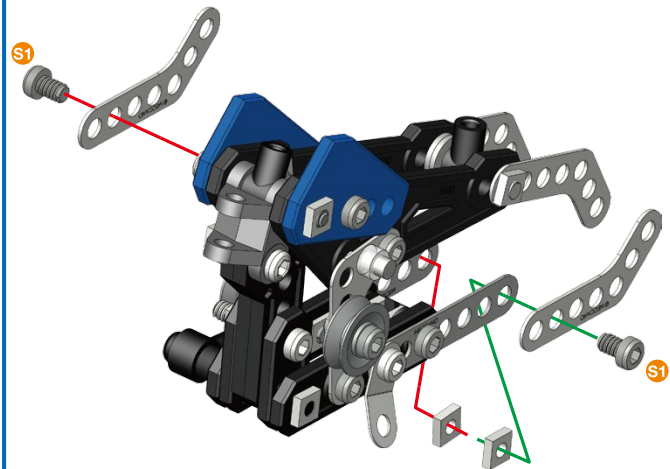
	x2
	x1
	x1
	x1
	x4

	B3	1:1
--	-----------	------------



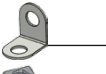






**8**

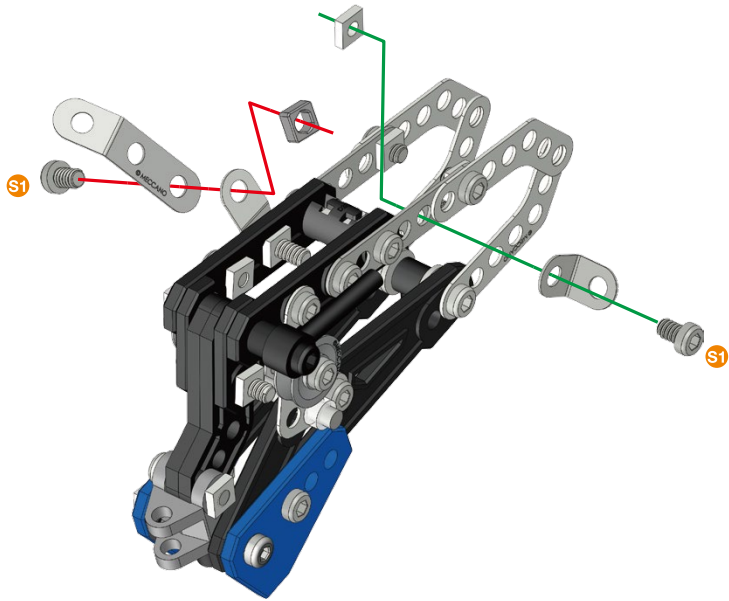
	x2
	x2
	x2


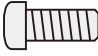

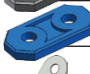







	S1	1:1
--	-----------	------------

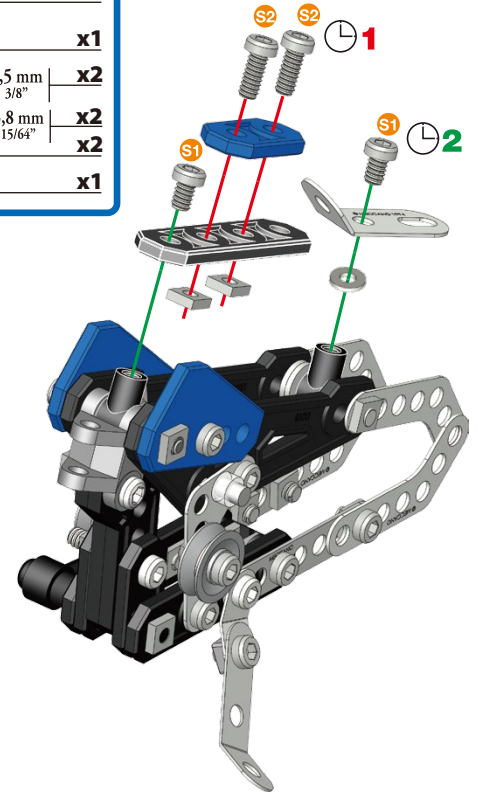


9

	x1		S1	1:1
	x1			
	x1		D277	1:1
	x1			
	x2			
	x1			

**10**

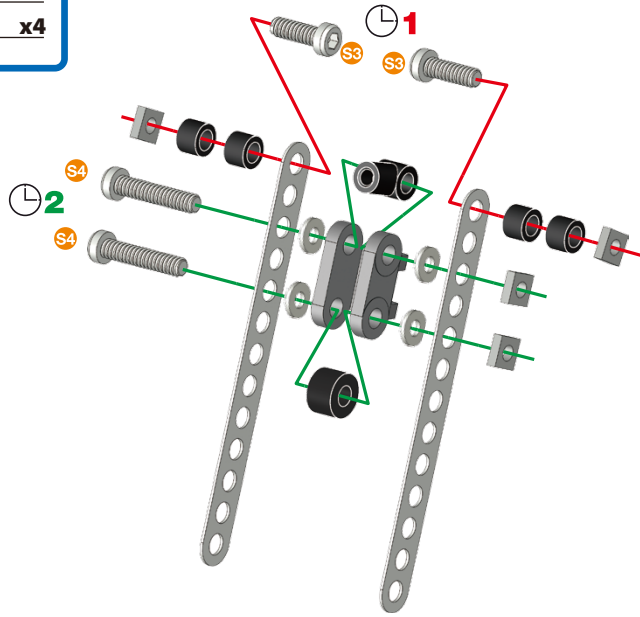
	x1		S2	1:1	
	x1				
	x1		S1	1:1	
	x2				
	x2				
	x1				



11






	x1		x2	
	19 mm 3/4"	x2		x1
	12 mm 1/2"	x2		x4
	x4		x4	
	x1		x4	



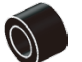

	S4	1:1
	S3	
	A238	A338
	A338	

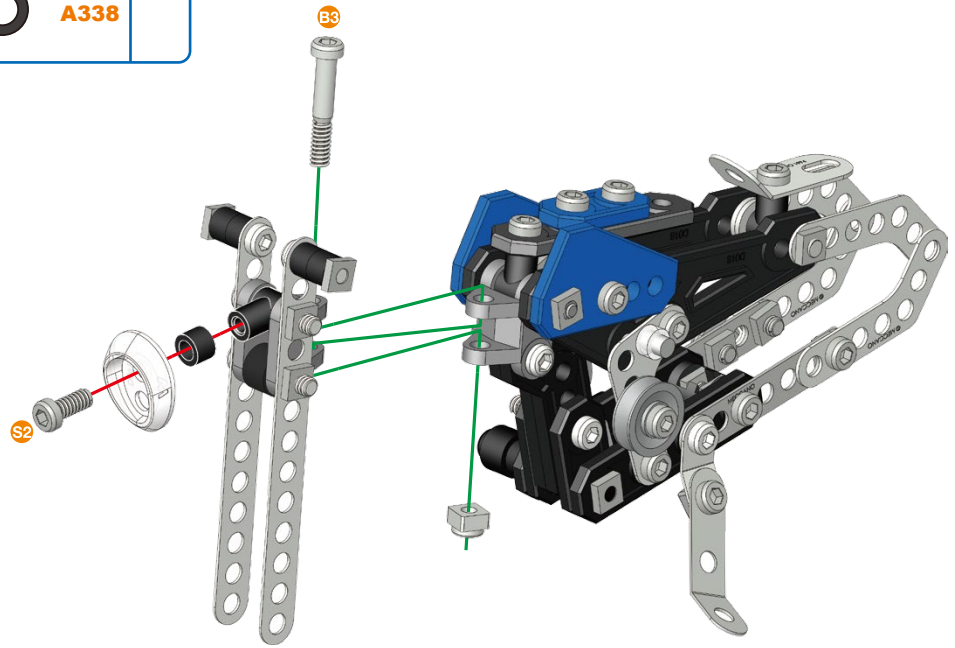


12

10 + 11 +

-  **x1**
-  **B3** | 23 mm | **x1**
15/16"
-  **S2** | 9,5 mm | **x1**
3/8"
-  **x1**
-  **x1**

	B3	1:1
	S2	
	A338	
		



13

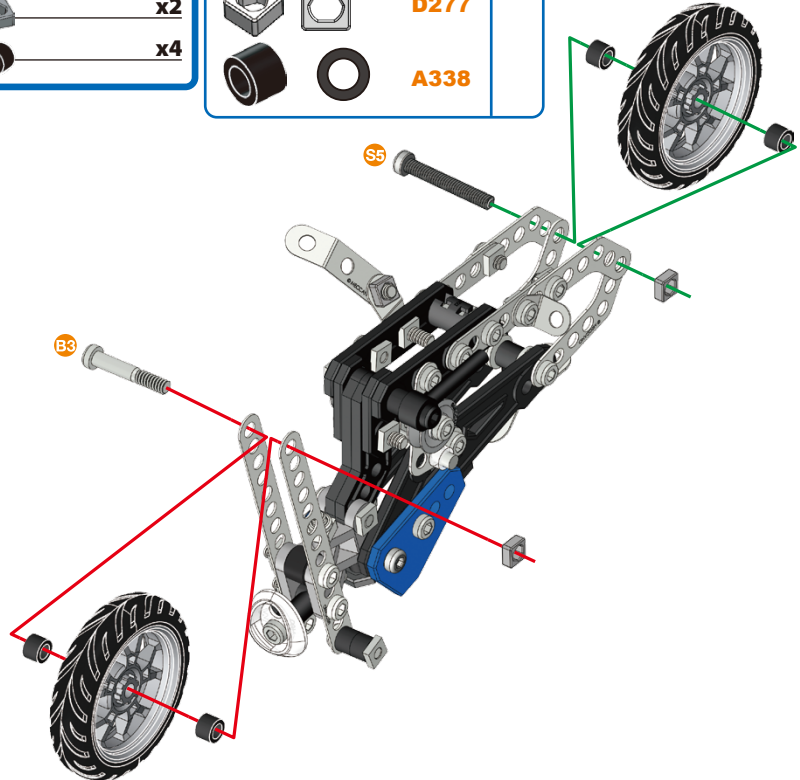
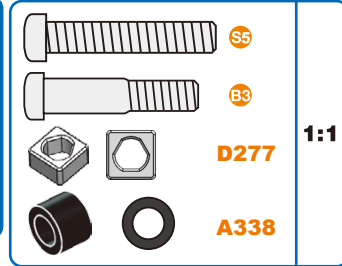
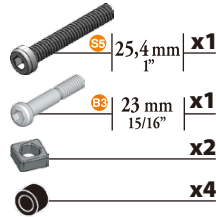


x2






14






12 + 13 +



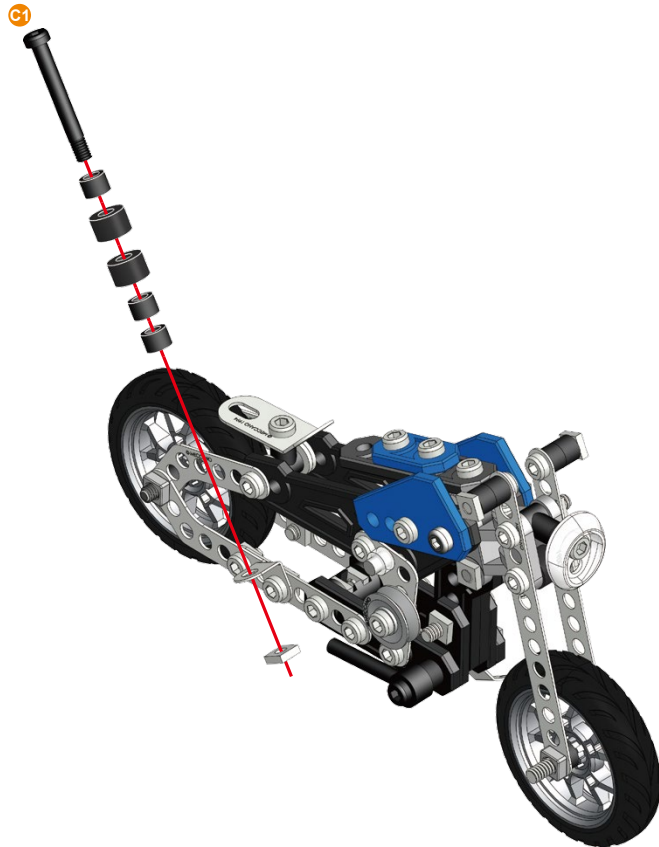
15

	32 mm 1 1/4"	x1
		x2
		x3



		C1
		A238
		A338

1:1



16



x1

