

M O T I O N S Y S T E M

6520

INSTRUCTIONS  
 NOTICE DE MONTAGE  
 BAUANLEITUNG  
 ISTRUZIONI DI MONTAGGIO  
 INSTRUCCIONES DE MONTAJE  
 INSTRUÇÕES DE MONTAGEM  
 MONTERINGSANVISNING  
 KOKOAMISOHJE  
 MONTERINGS INSTRUKTIONER  
 MONTAGEHANDLEIDING

Οδηγίες συναρμολόγησης.  
 組立説明書



20



261

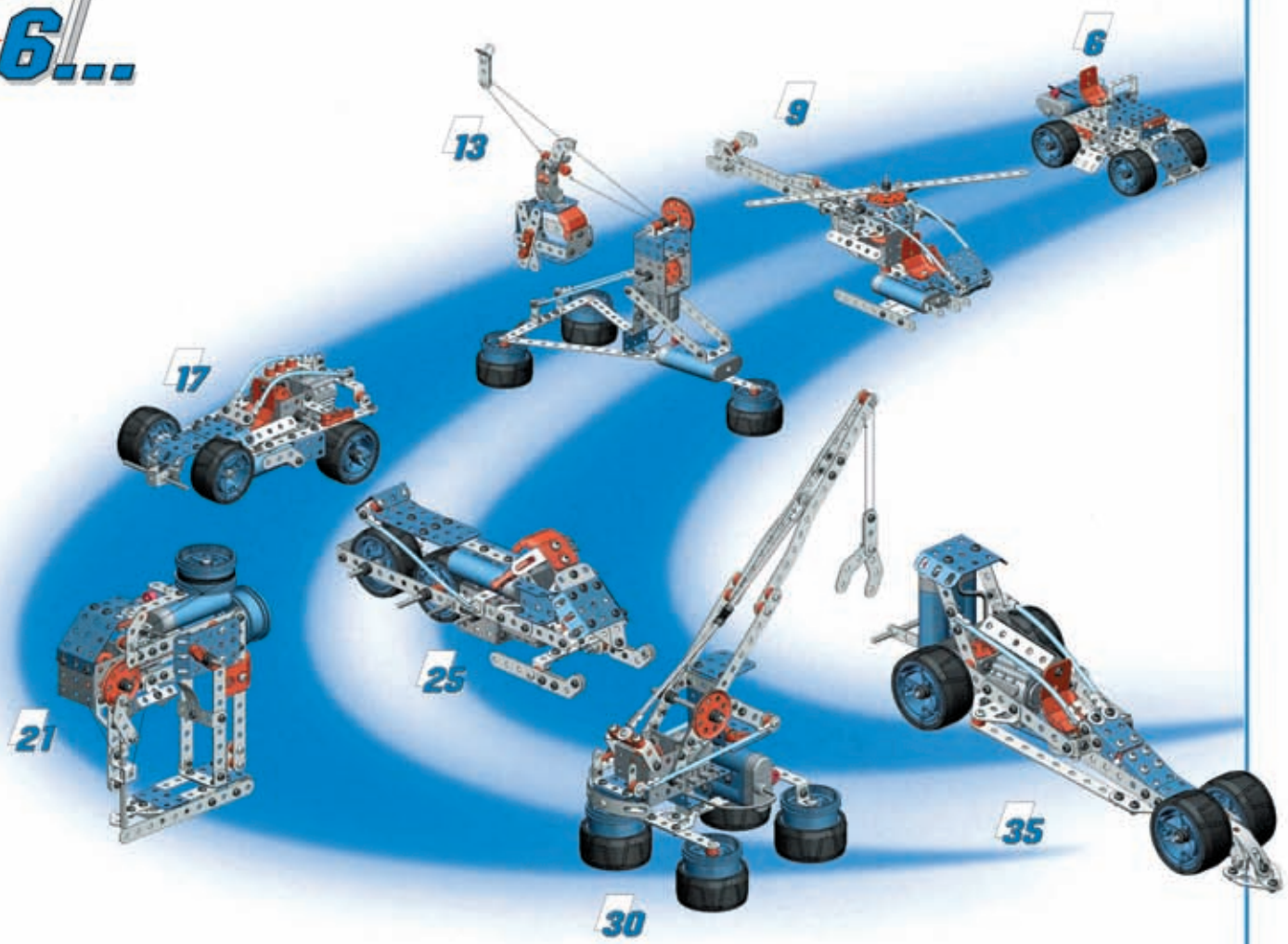
PARTS-PIECES-TEILE  
 PEZZI-PIEZAS-PEÇAS  
 DELAR-OSART-LÍSDELE  
 ONDERDELEN-TERMARIA

20

MODELS-MODELES-MODELLE  
 MODELLI-MODELOS-MODELOS  
 MODELLER-MALLIA-MODELLER  
 MODELLER-MONTAJA

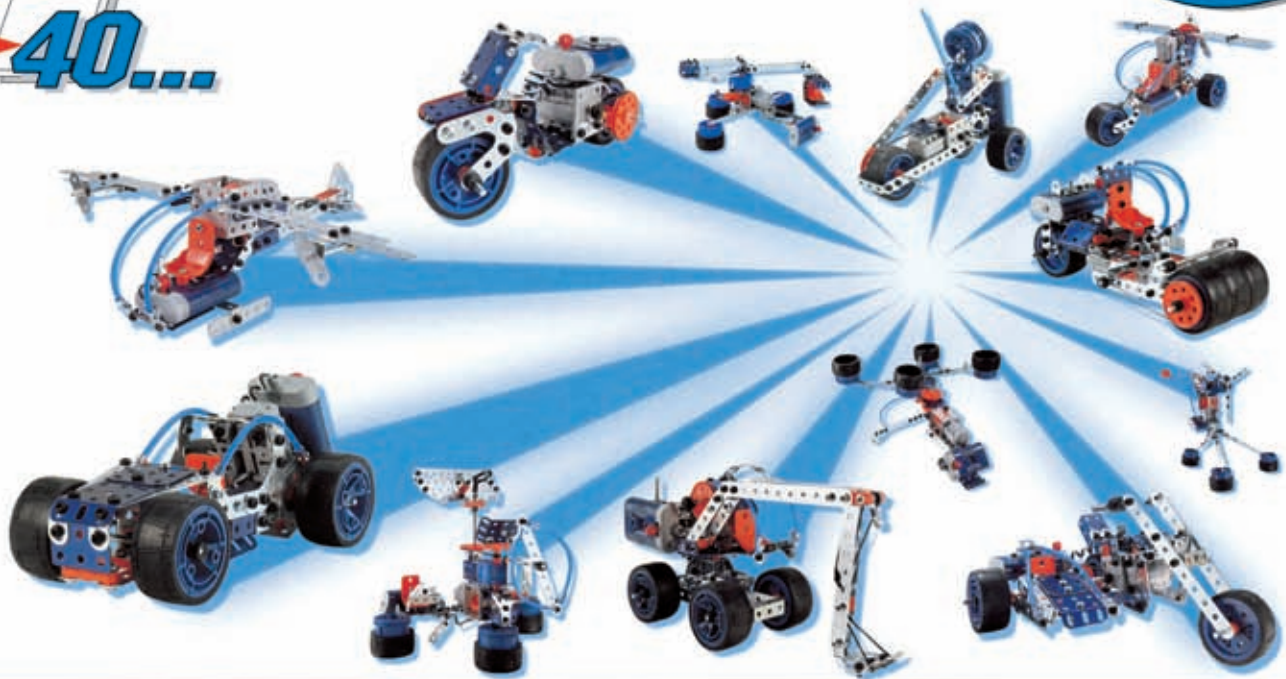
8-12

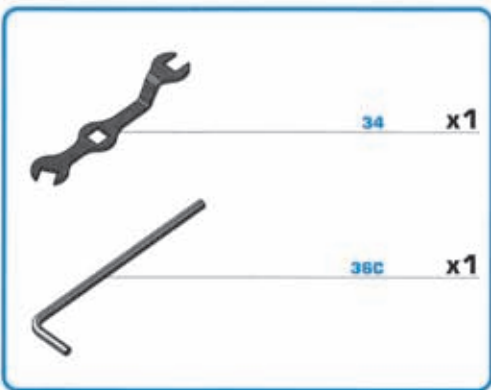
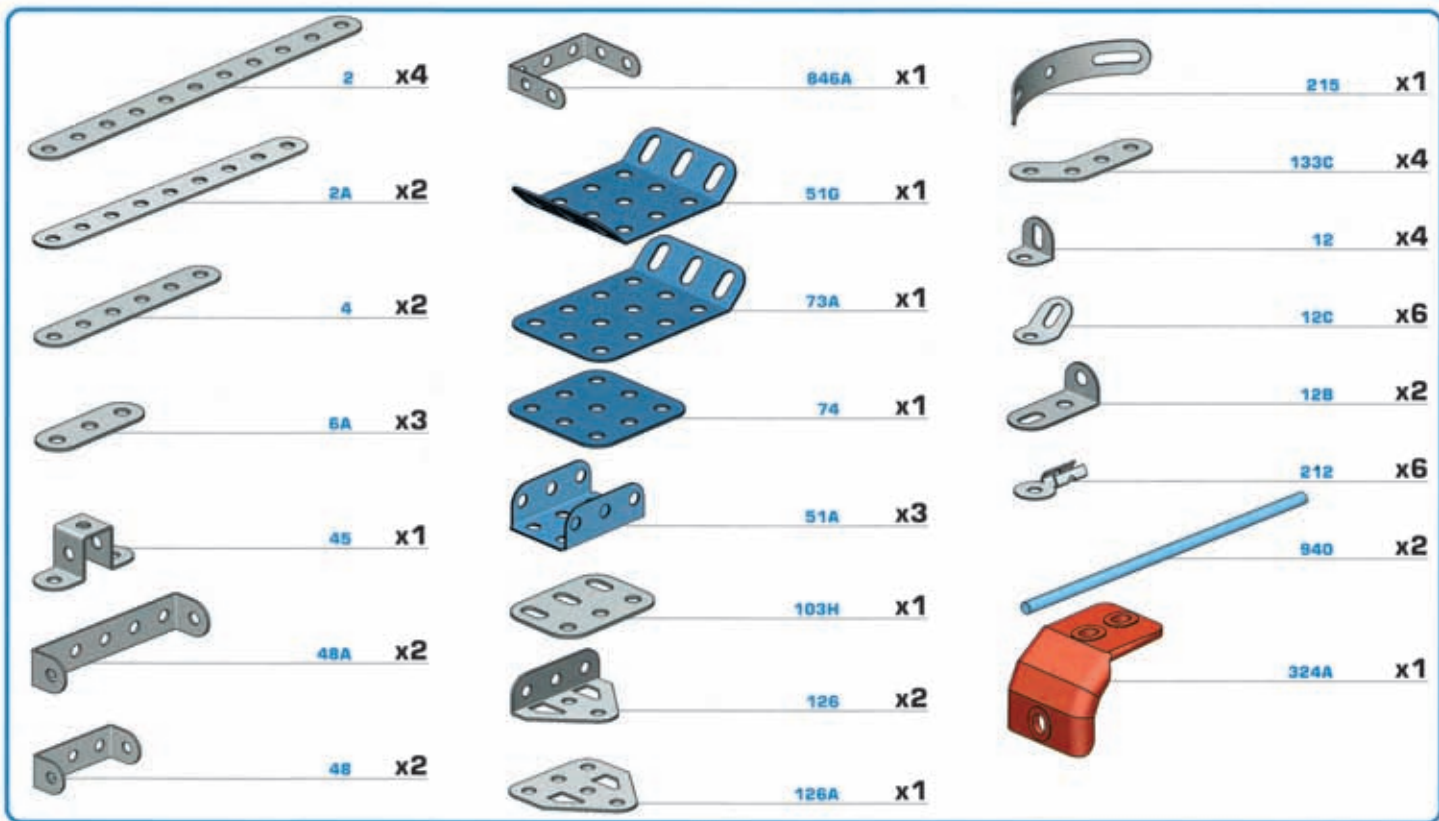
6...

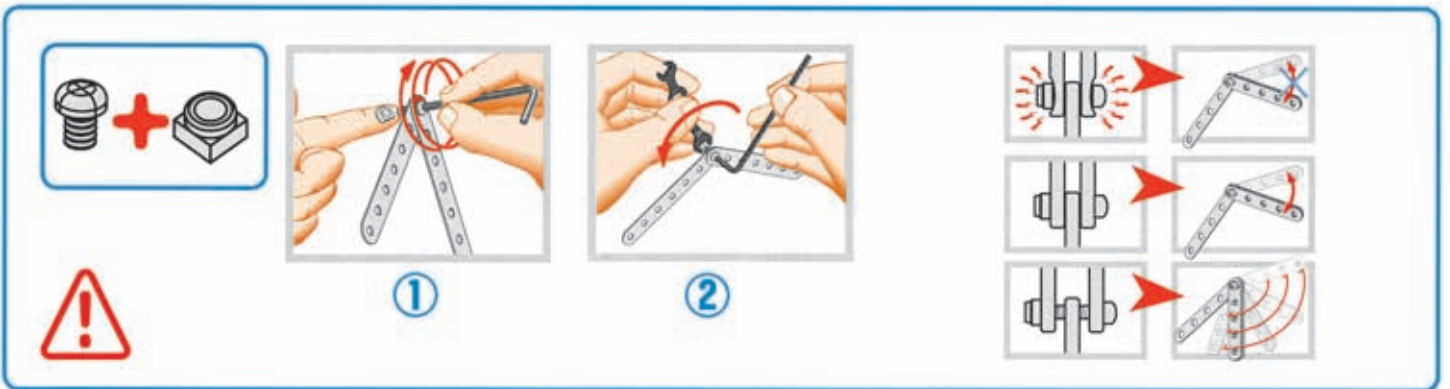
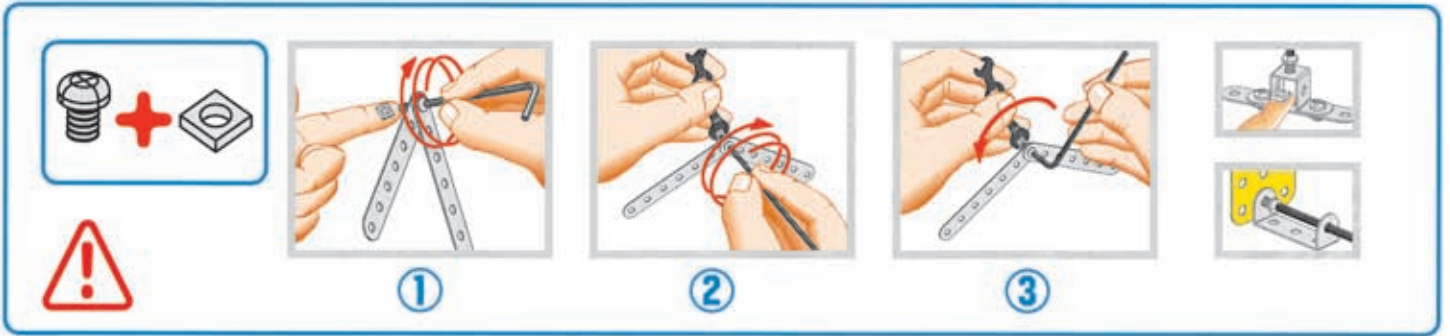
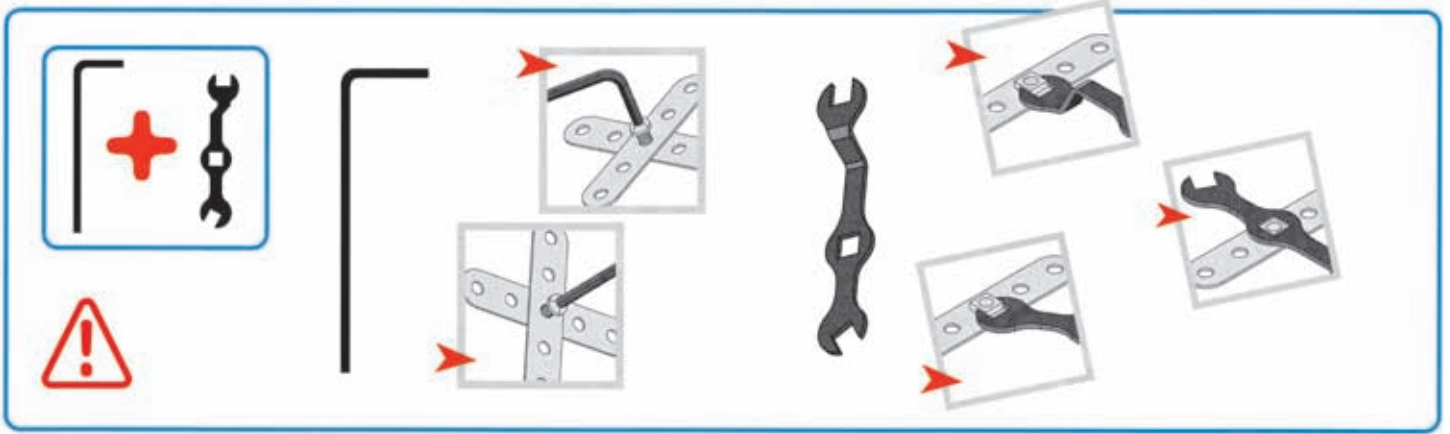



20

40...

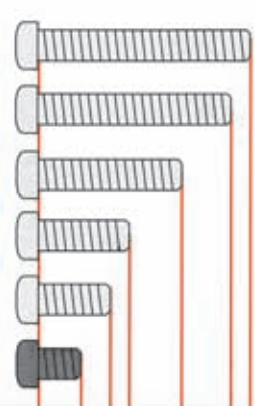







	<b>Şcale</b> <b>Échelle</b> <b>Maßstab</b> <b>Scala</b>	<b>Escala</b> <b>Schaal</b> <b>Escala</b> <b>Skala</b>	<b>Mittakaava</b> <b>Målestok</b> <b>Κλίμακα</b> <b>スケール</b>	<b>1:1</b> 
--	--	---	---	---



  

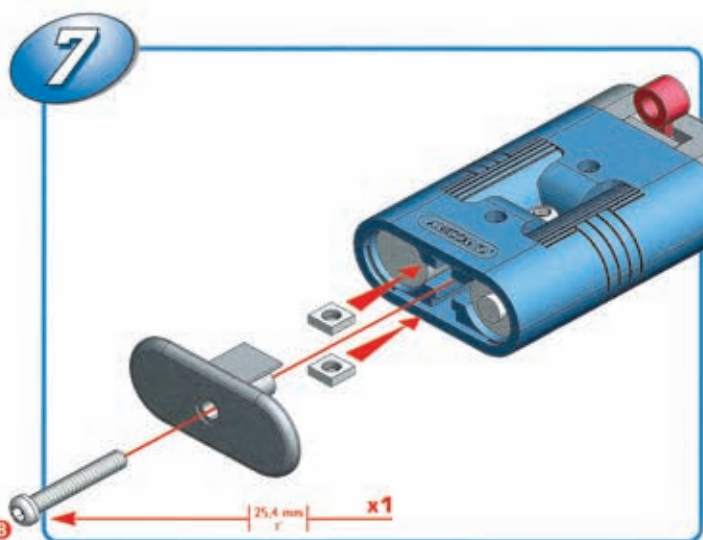
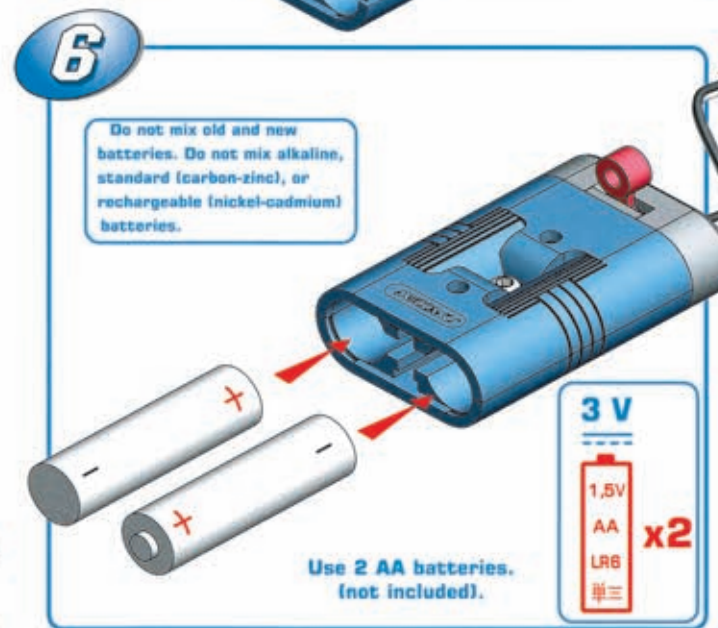
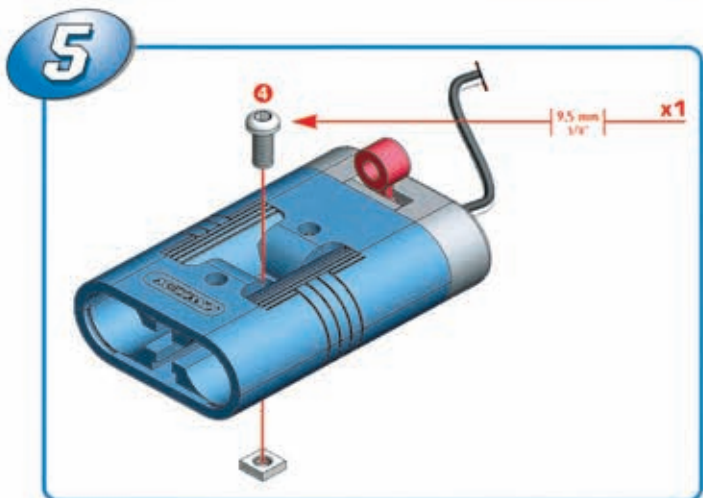
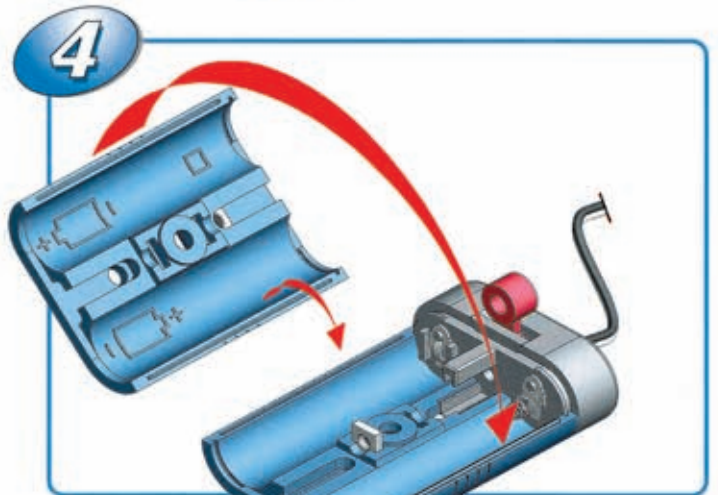
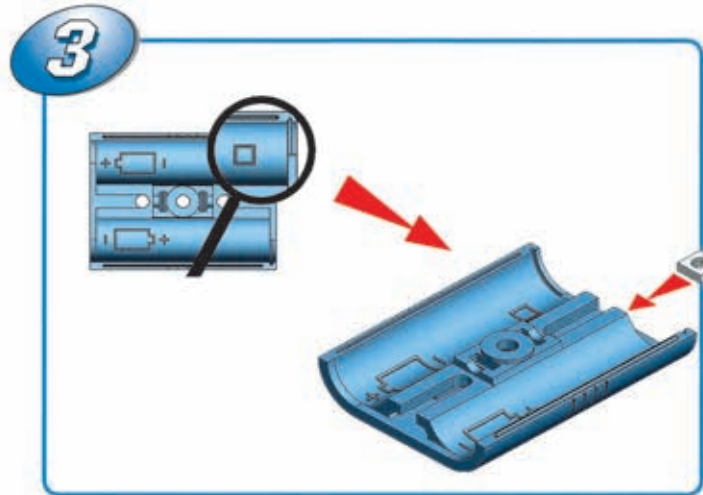
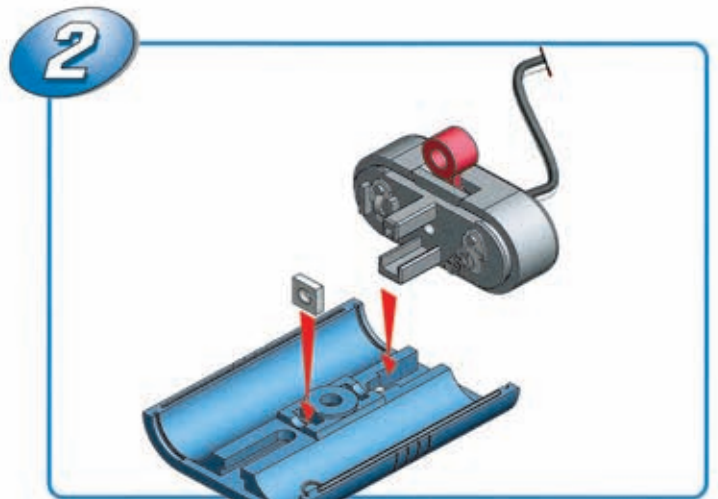
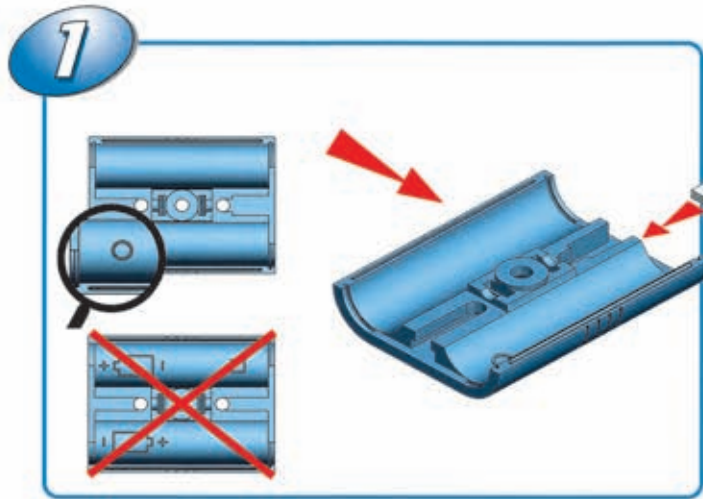
<ul style="list-style-type: none"> <li>28 mm 1 1/8"</li> <li>25,4 mm 1"</li> <li>19 mm 3/4"</li> <li>12 mm 1/2"</li> <li>9,5 mm 3/8"</li> <li>5,8 mm 15/64"</li> </ul>	
--	---

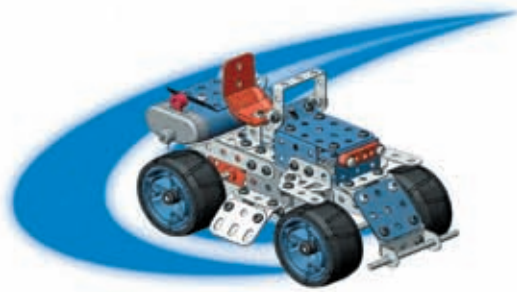
  

<ul style="list-style-type: none"> <li>75 mm 3"</li> <li>100mm 4"</li> <li>115 mm 4 1/2"</li> </ul>	
---	--

<b>Cm</b> 	<b>Inches</b> 
--	--





**7**

- Motor x1
- Red gear x1
- Black gear x1

**2**

- Grey Technic block x1
- Grey Technic beam (11 holes) x1
- Grey Technic beam (7 holes) x1
- Grey Technic axle (1 hole) x1
- Grey Technic axle (4 holes) x4
- Grey Technic axle (5.8 mm / 1/4") x4

**3**

- Grey Technic beam (11 holes) x1
- Grey Technic beam (7 holes) x1
- Grey Technic axle (1 hole) x4
- Grey Technic axle (5.8 mm / 1/4") x4

**4**

- Grey Technic beam (11 holes) x3
- Grey Technic axle (1 hole) x2
- Grey Technic axle (4 holes) x4
- Grey Technic axle (5.8 mm / 1/4") x4

**5**

- Blue Technic L-bracket x2
- Grey Technic axle (1 hole) x4
- Grey Technic axle (5.8 mm / 1/4") x4

**6**

- Grey Technic beam (7 holes) x2
- Red Technic axle (1 hole) x1
- Grey Technic axle (1 hole) x1
- Grey Technic axle (2 holes) x2
- Grey Technic axle (12 mm / 1/2") x1
- Grey Technic axle (9.5 mm / 3/8") x1

**7**

- Black rubber band x1
- Grey Technic axle (75 mm / 3") x1
- Red gear x1
- Red gear x2
- Red Technic axle (1 hole) x2
- Black Technic axle (1 hole) x1
- Grey Technic axle (1 hole) x1
- Grey Technic axle (1 hole) x1



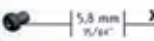
**8**

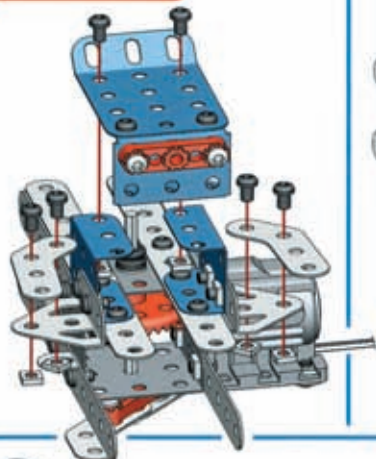
- Blue Technic L-bracket x2
- Grey Technic axle (1 hole) x4
- Grey Technic axle (5.8 mm / 1/4") x4

**9**





- Blue Technic plate (11 holes) x1
- Blue Technic L-bracket x1
- Red Technic axle (1 hole) x1
- Grey Technic axle (4 holes) x4
- Grey Technic axle (9.5 mm / 3/8") x2
- Grey Technic axle (5.8 mm / 1/4") x2

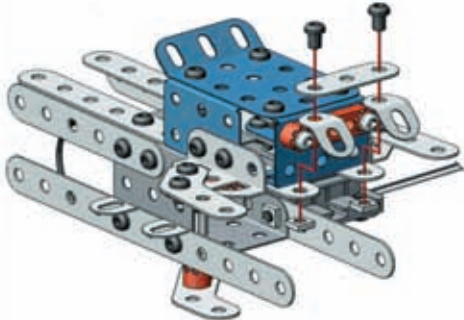
10

-  x2
-  x6
-  x6







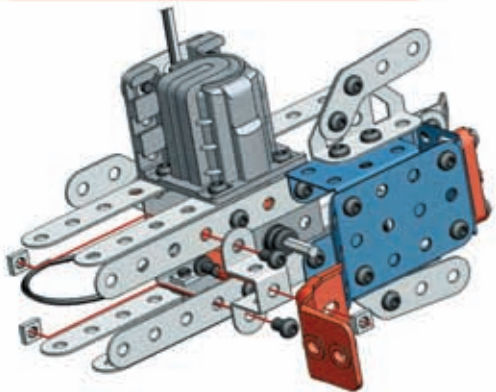
11

-  x1
-  x2
-  x2
-  x2







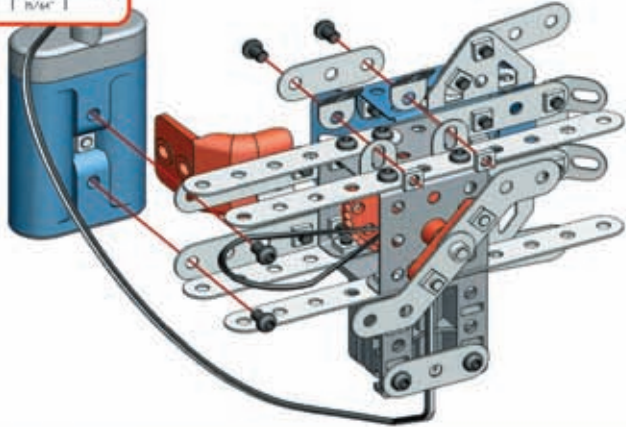
12

-  x1
-  x1
-  x3
-  x3










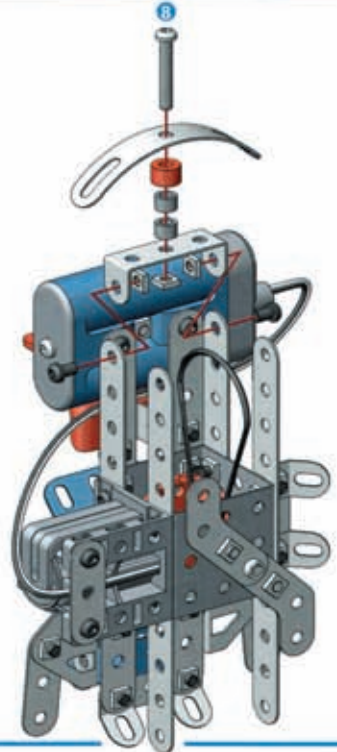
13

-  x1
-  x2
-  x2
-  x4







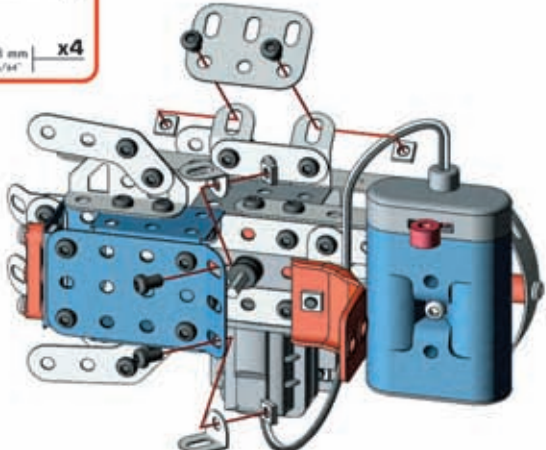
14

-  x1
-  x1
-  x1
-  x2
-  x3
-  x1
-  x2






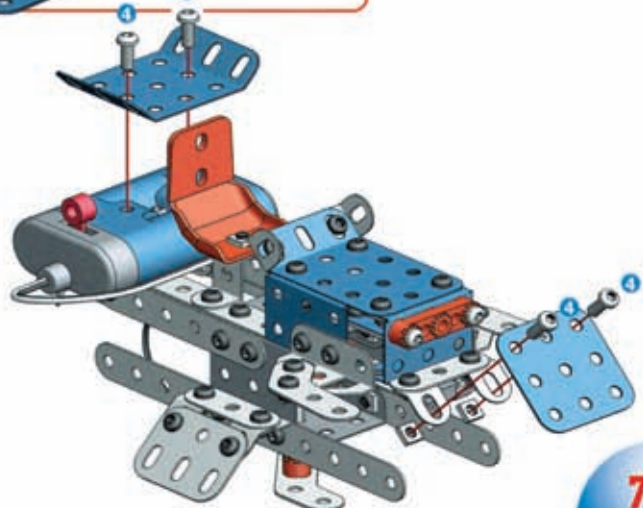
15

-  x1
-  x2
-  x4
-  x4









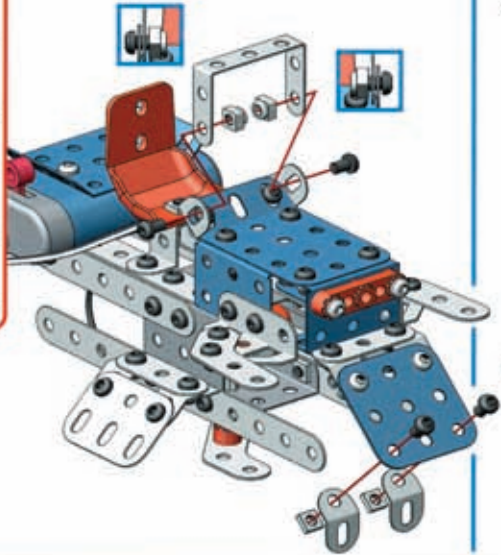
16

-  x1
-  x2
-  x4








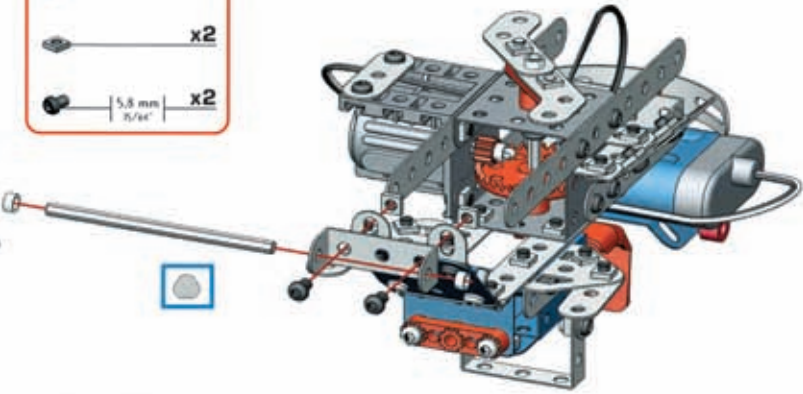
17

-  x1
-  x2
-  x2
-  x2
-  x2
-  x4



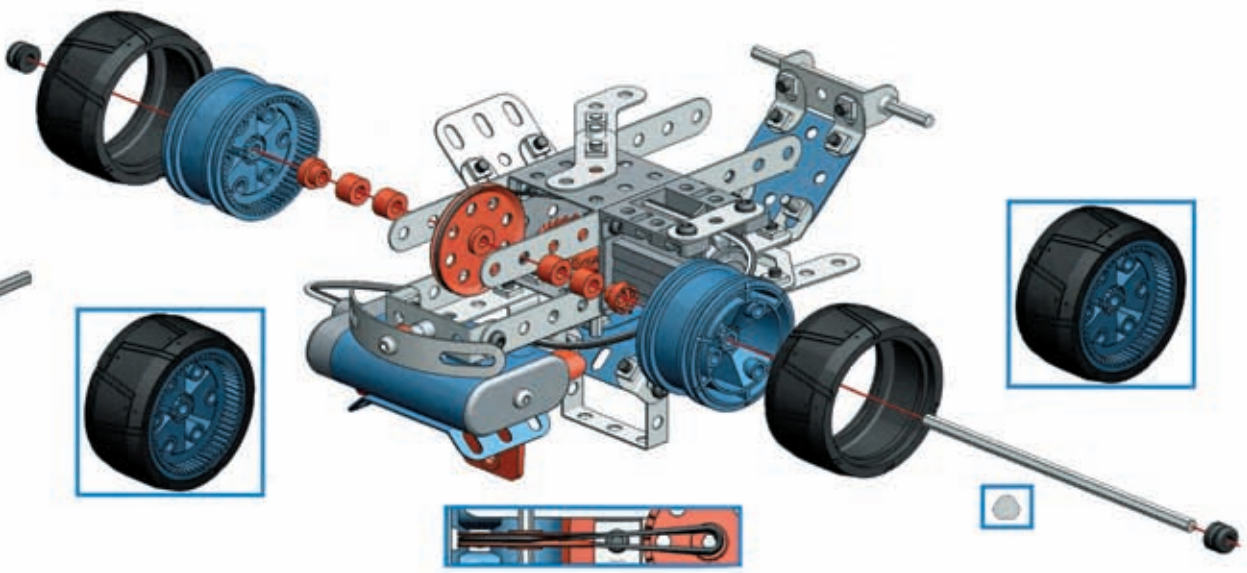
18

-  75 mm x1
-  x1
-  x2
-  x2
-  x2



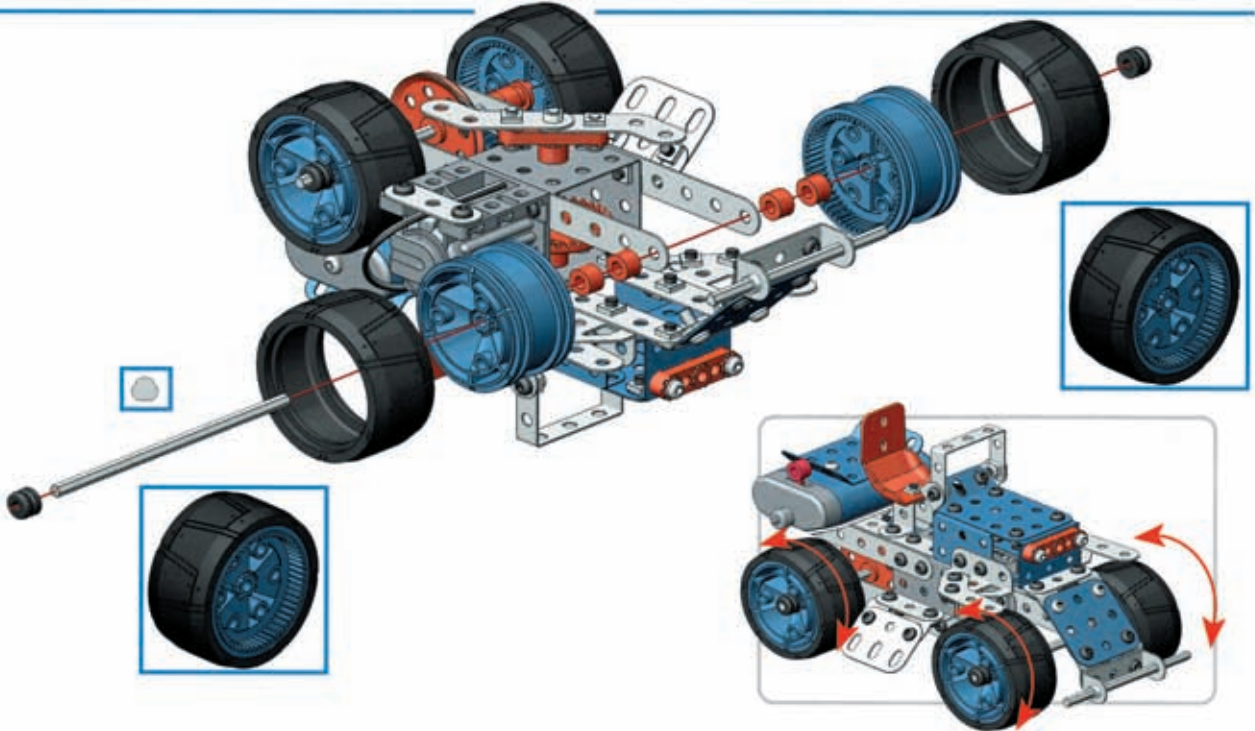
19

-  x2
-  x2
-  115 mm x1
-  x1
-  x2
-  x4
-  x2

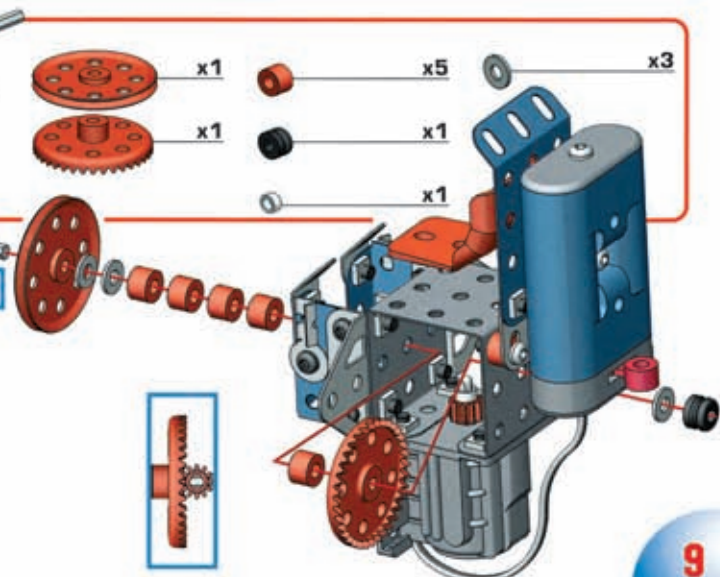
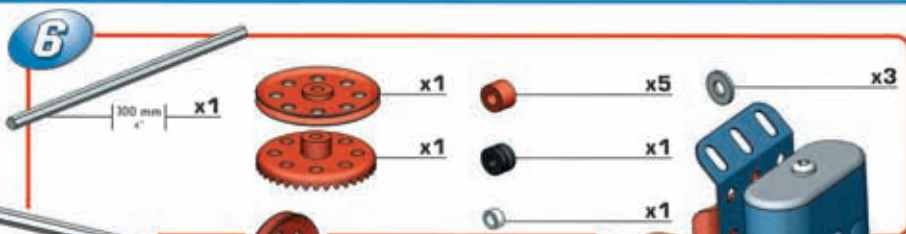
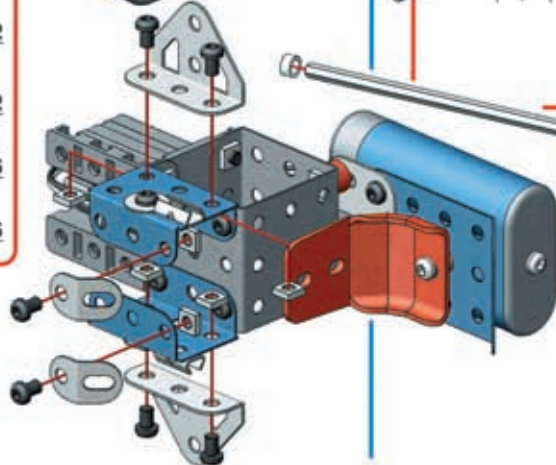
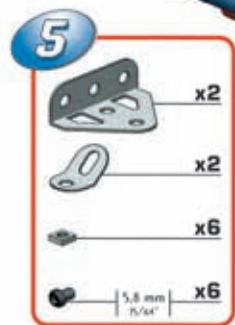
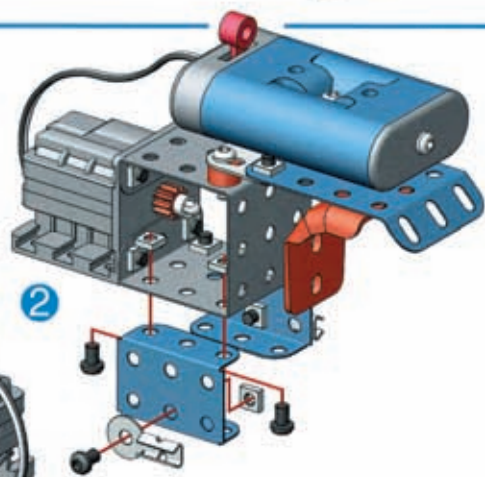
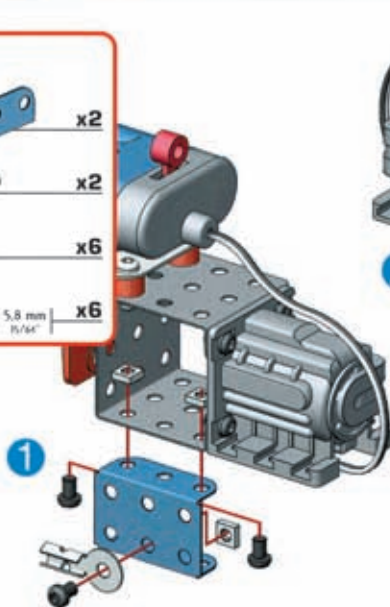
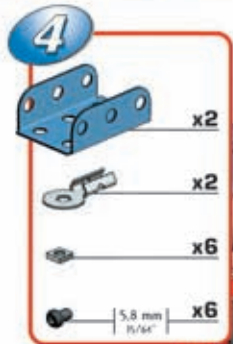
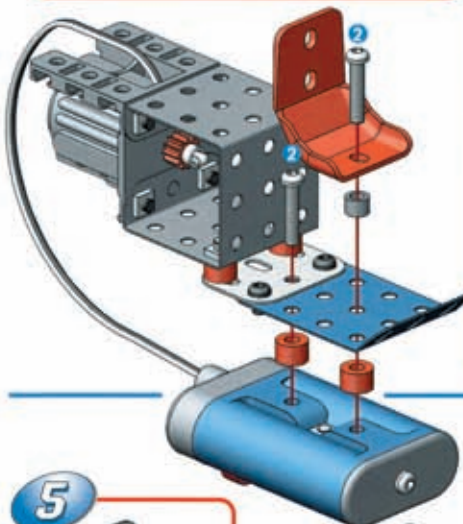
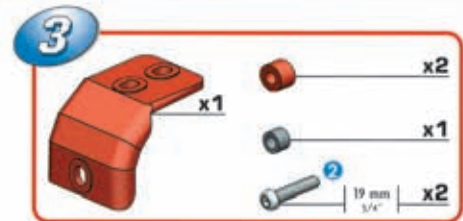
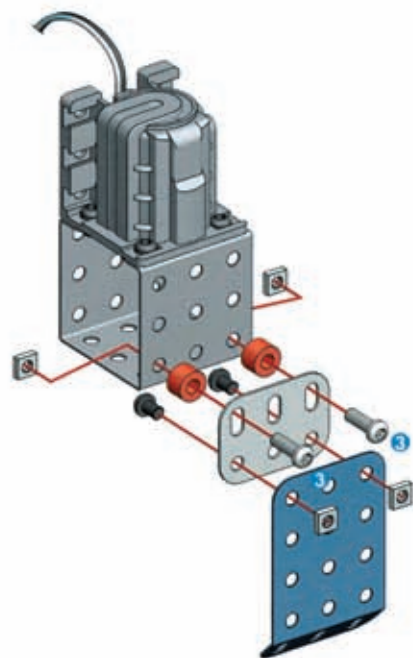
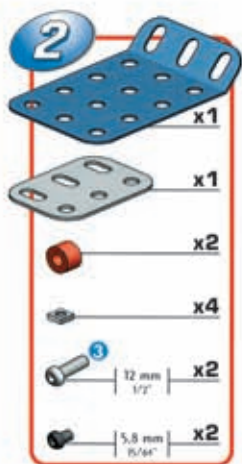
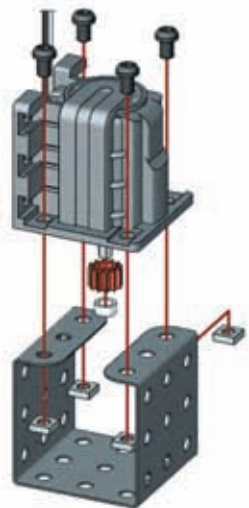
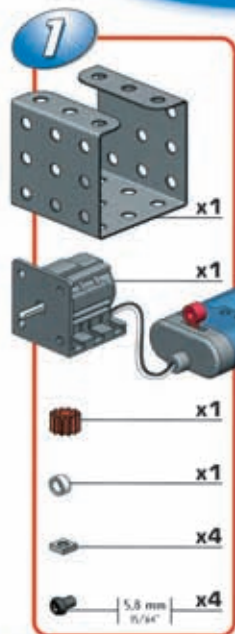
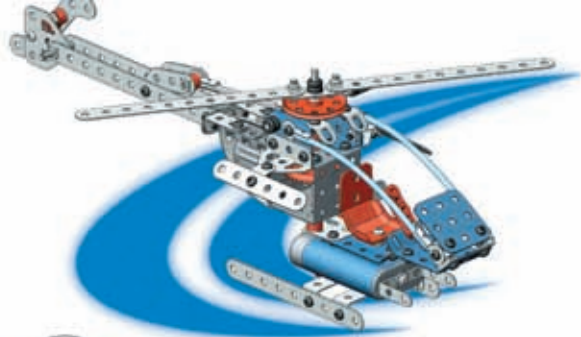


20

-  x2
-  x2
-  100 mm x1
-  x4
-  x2







**7**

- Technic Beam 1x15 (with 15 holes) x2
- Technic Beam 1x5 (with 5 holes) x2
- Technic L-Bracket 1x2 x1
- Technic Pin (grey) x4
- Technic Pin (black) 5.8 mm (15/64") x4

**8**

- Technic Beam 1x5 (with 5 holes) x1
- Technic Beam 1x3 (with 3 holes) x1
- Technic L-Bracket 1x2 x2
- Technic Pin (grey) x3
- Technic Pin (black) 5.8 mm (15/64") x3

**9**

- Technic Triangle 1x2x2 x1
- Technic Pin (grey) x1
- Technic Pin (black) x2
- Technic Pin (red) x1
- Technic Pin (grey) 12 mm (1/2") x1
- Technic Pin (black) 25.4 mm (1") x1
- Technic Pin (grey) 12 mm (1/2") x1

**10**

- Technic Pin (red) x1
- Technic Pin (grey) x1
- Technic Pin (grey) x3
- Technic Pin (grey) 25.4 mm (1") x1
- Technic Pin (black) 5.8 mm (15/64") x2

**11**

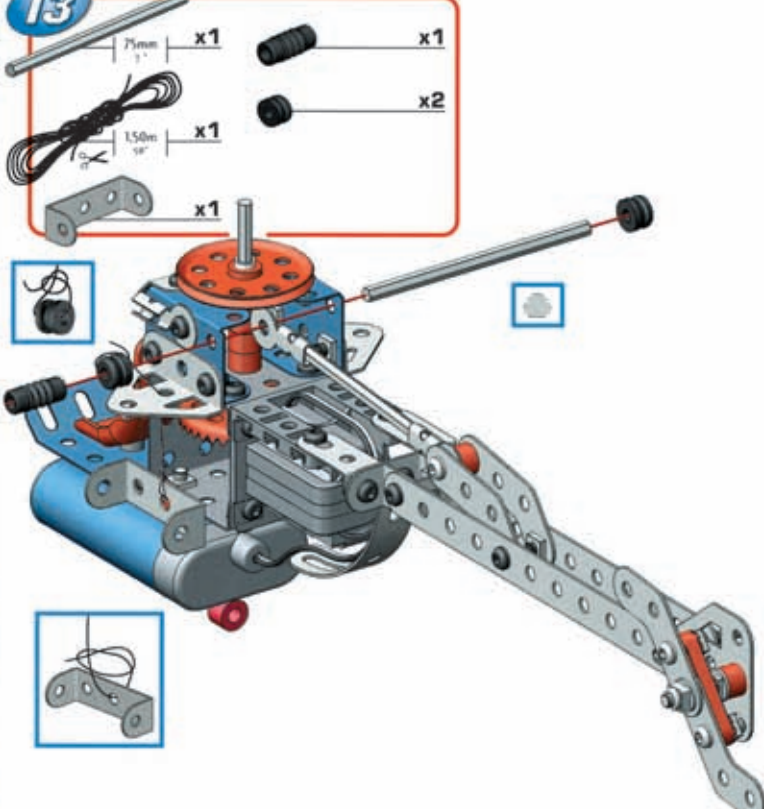
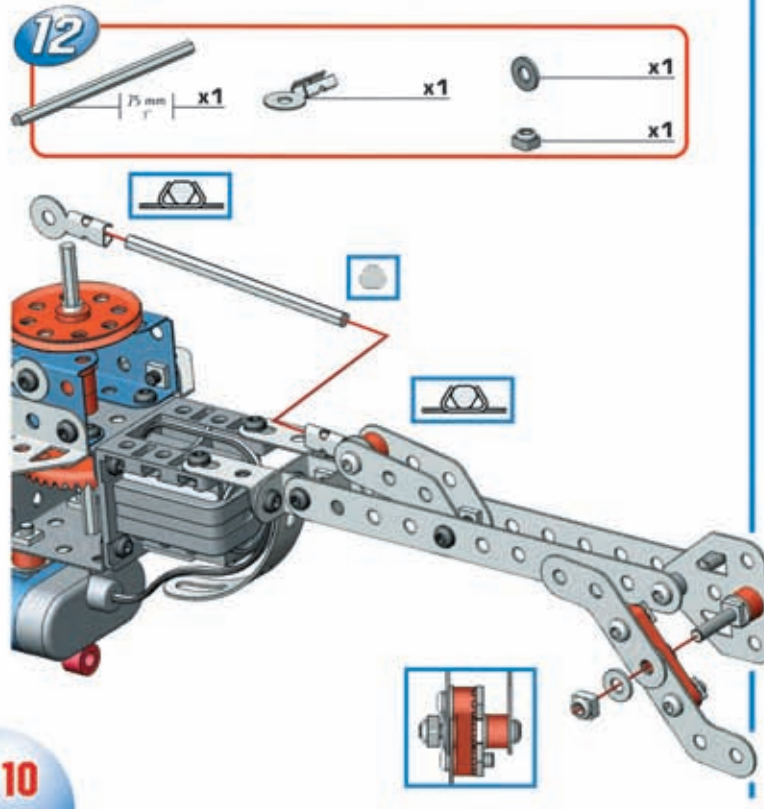
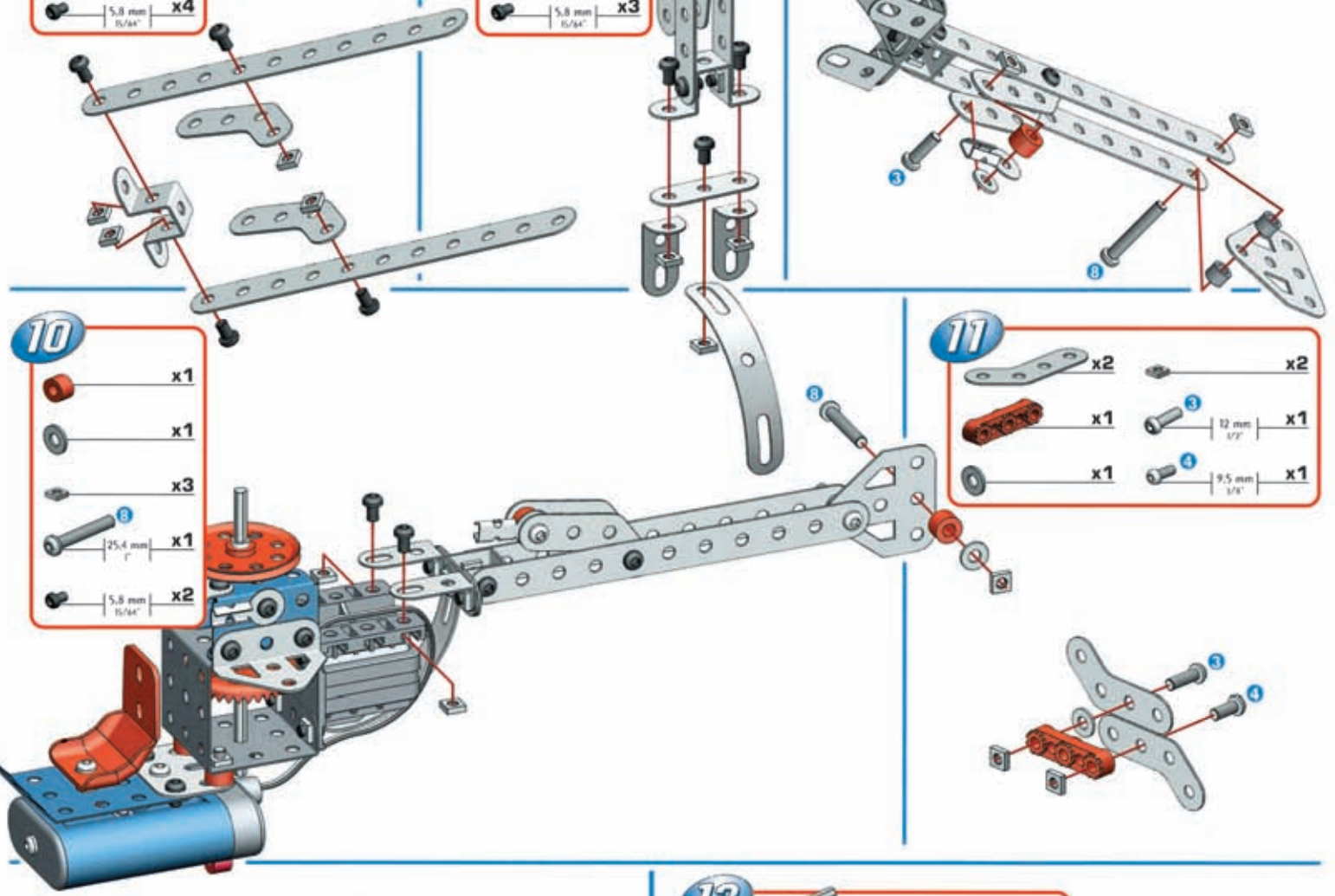
- Technic Beam 1x5 (with 5 holes) x2
- Technic Pin (grey) x2
- Technic Pin (red) x1
- Technic Pin (grey) 12 mm (1/2") x1
- Technic Pin (grey) 9.5 mm (3/8") x1






**12**

- Technic Pin (grey) 75 mm (3") x1
- Technic Pin (grey) x1
- Technic Pin (grey) x1
- Technic Pin (grey) x1



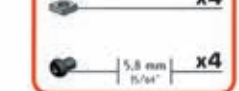
**13**

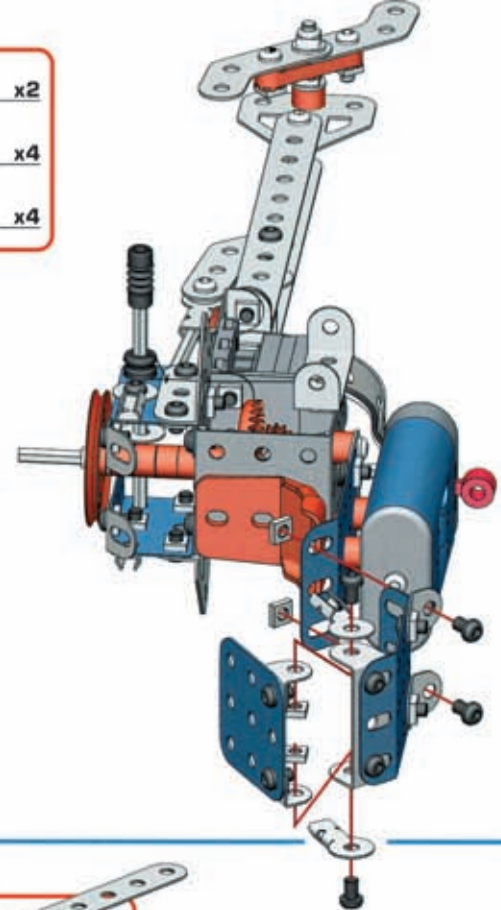
- Technic Pin (grey) 75 mm (3") x1
- Technic Pin (black) x1
- Technic Pin (black) x2
- Technic Cable 150 cm (50") x1
- Technic L-Bracket 1x2 x1




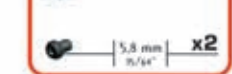


- 14**
-  x1
  -  x1
  -  x2
  -  x4
  -  x4








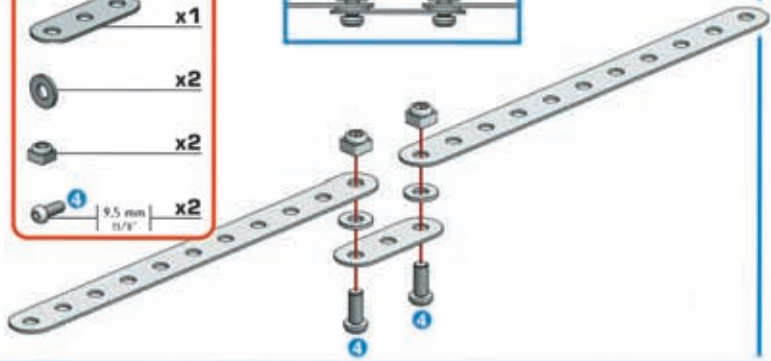
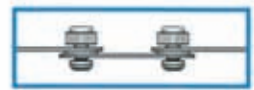
- 16**
-  x2
  -  x4
  -  x4







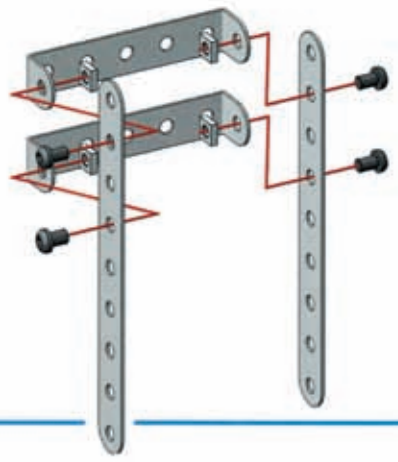
- 15**
-  x1
  -  x2
  -  x2
  -  x2



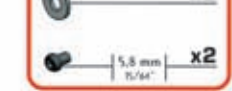


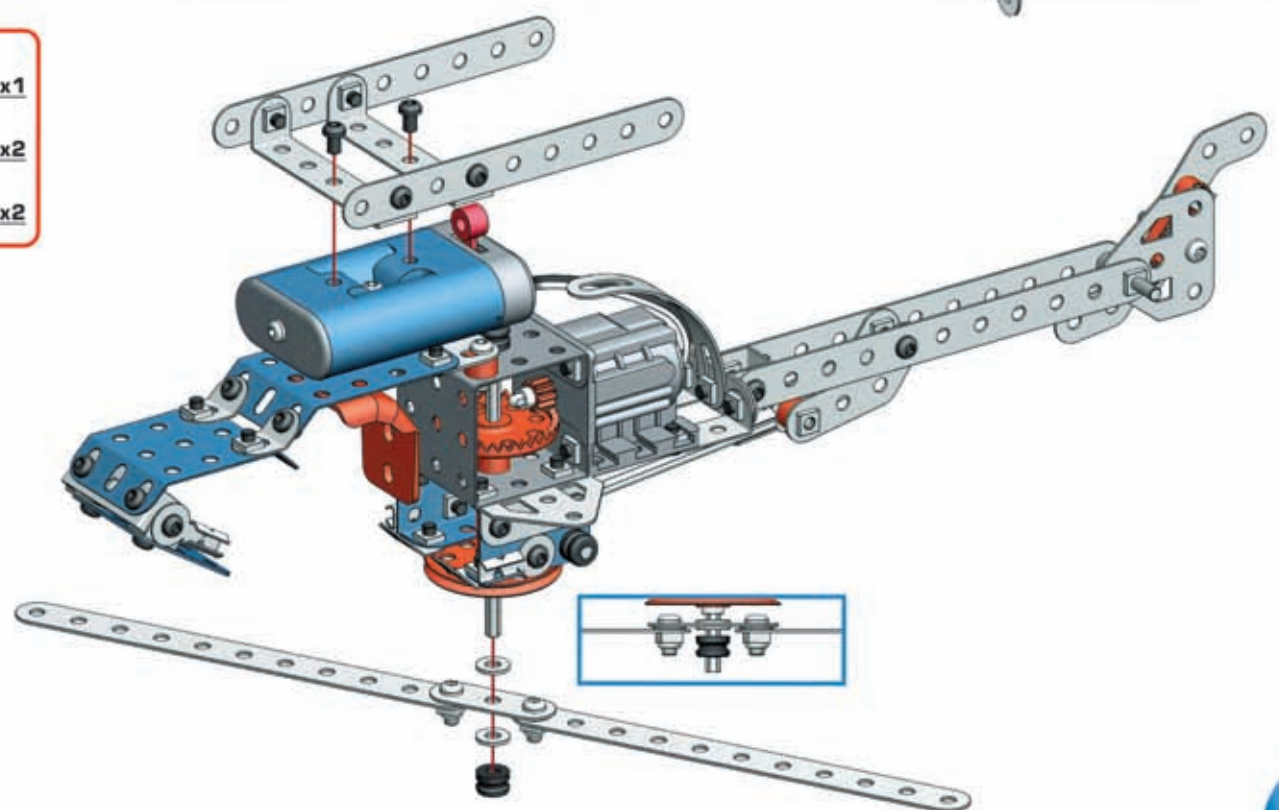
- 17**
-  x2
  -  x1
  -  x2
  -  x2
  -  x2

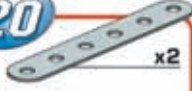





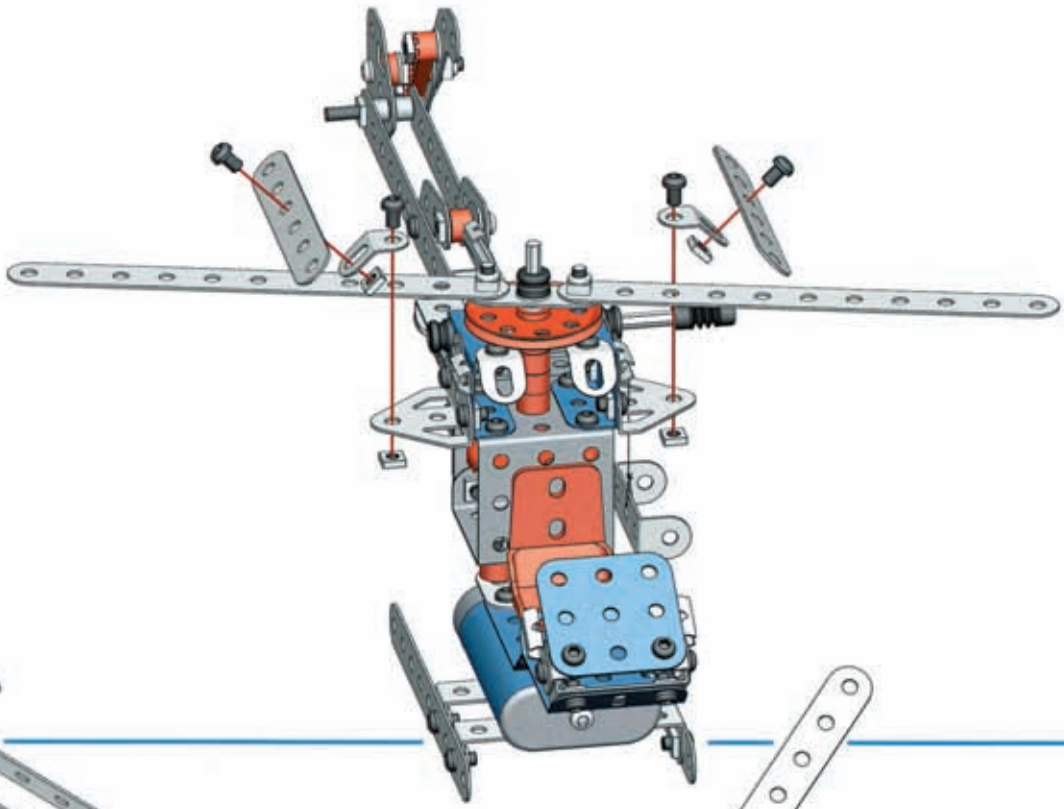
- 18**
-  x2
  -  x2
  -  x4
  -  x4

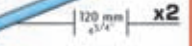





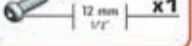


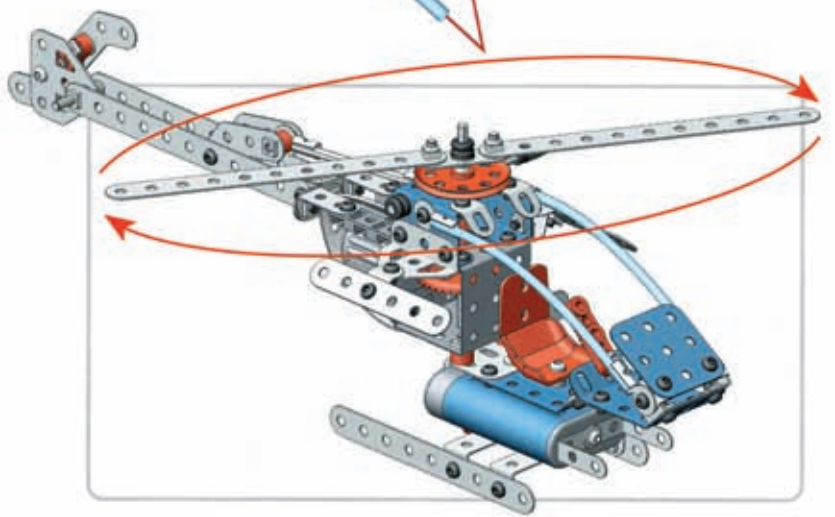
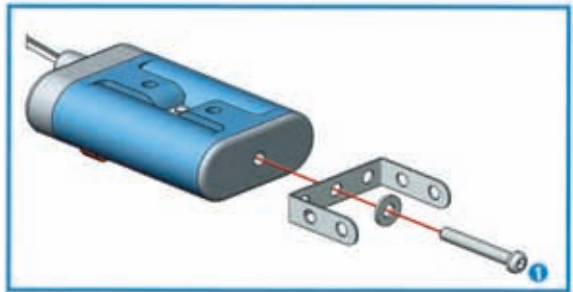
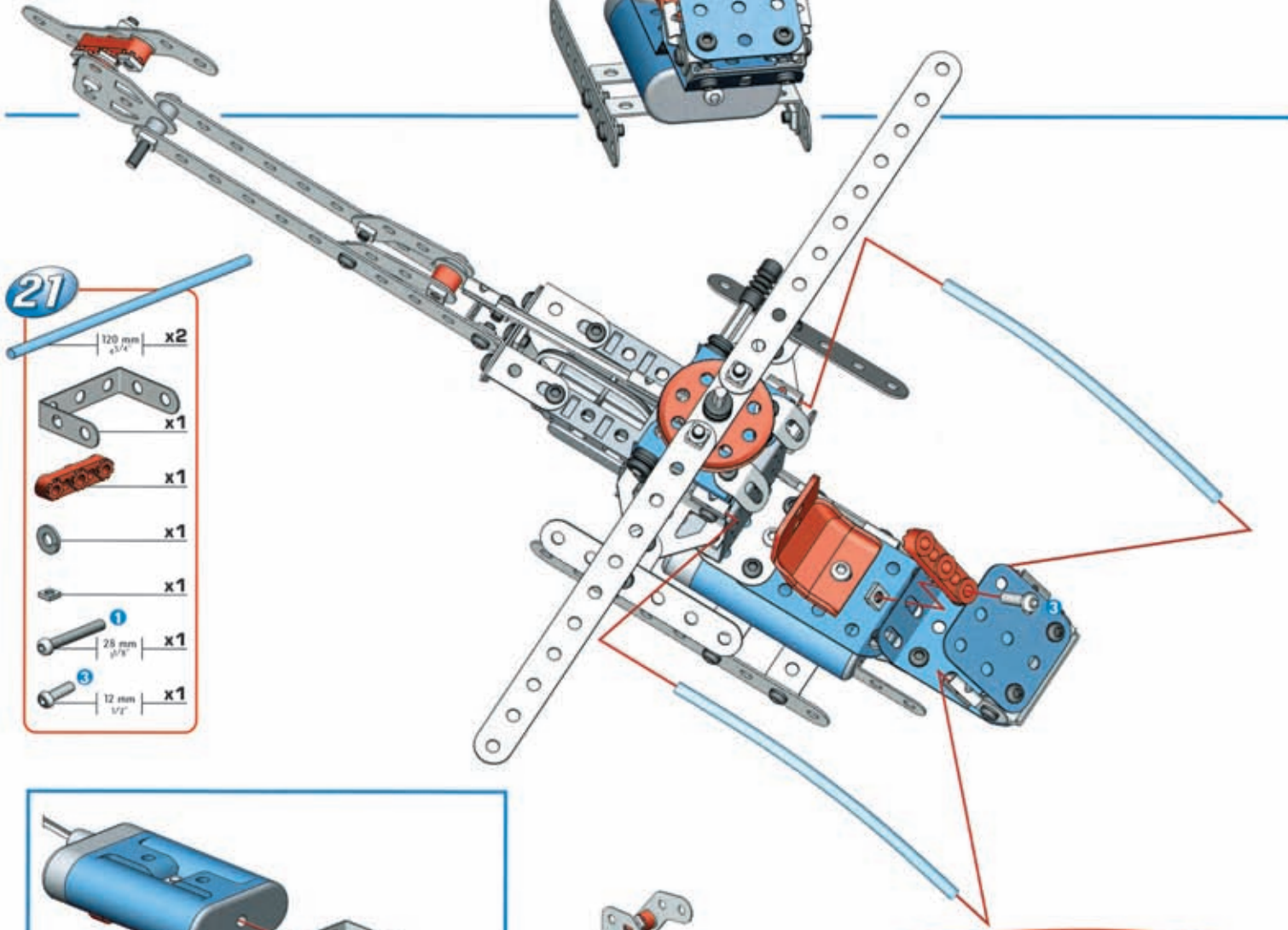
- 19**
-  x1
  -  x2
  -  x2

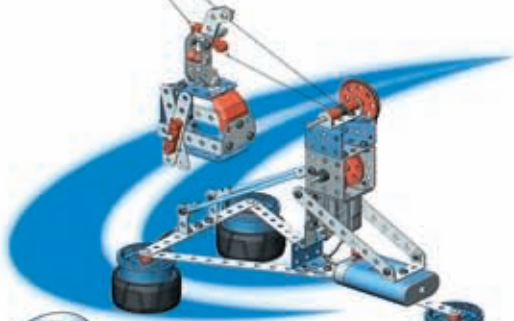


- 20**
-  x2
  -  x2
  -  x4
  -  x4



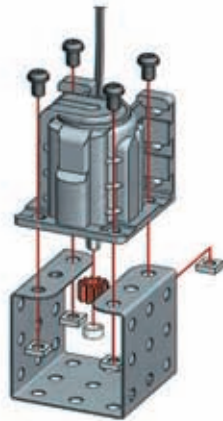
- 21**
-  x2
  -  x1
  -  x1
  -  x1
  -  x1
  -  x1
  -  x1





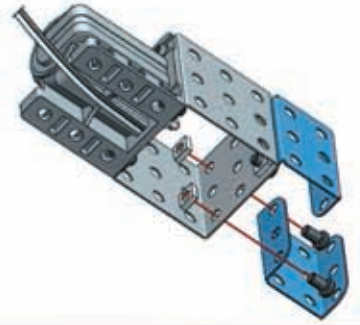
**1**

- 1x1 Technic Beam (Grey)
- 1x1 Technic Beam (Grey)
- 1x1 Motor
- 1x1 Motor Mount
- 4x Axles
- 4x 5.8 mm 1/4" Screws



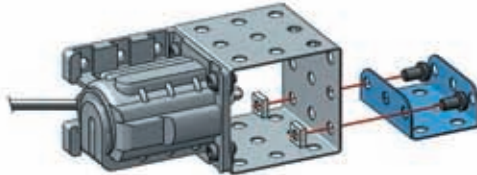
**3**

- 1x 1x2 Technic Bracket
- 2x Axles
- 2x 5.8 mm 1/4" Screws



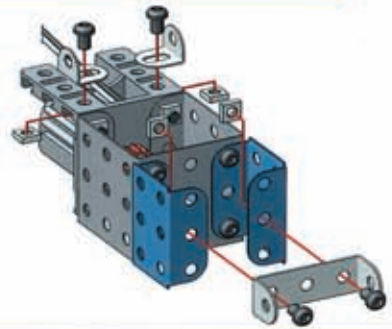
**2**

- 1x 1x2 Technic Bracket
- 2x Axles
- 2x 5.8 mm 1/4" Screws



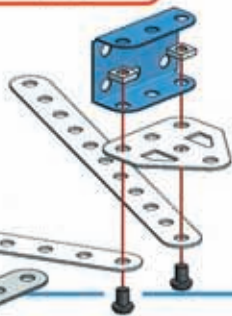
**4**

- 1x 1x2 Technic Bracket
- 2x Axles
- 4x 5.8 mm 1/4" Screws



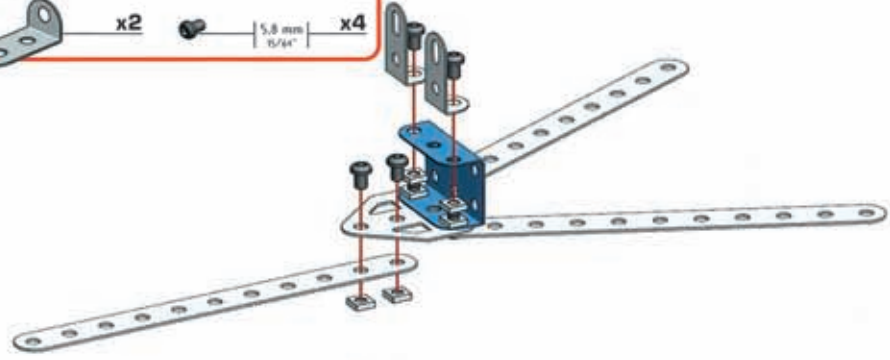
**5**

- 2x 1x10 Technic Beam
- 1x 1x3 Technic Triangle
- 1x 1x2 Technic Bracket
- 2x Axles
- 2x 5.8 mm 1/4" Screws



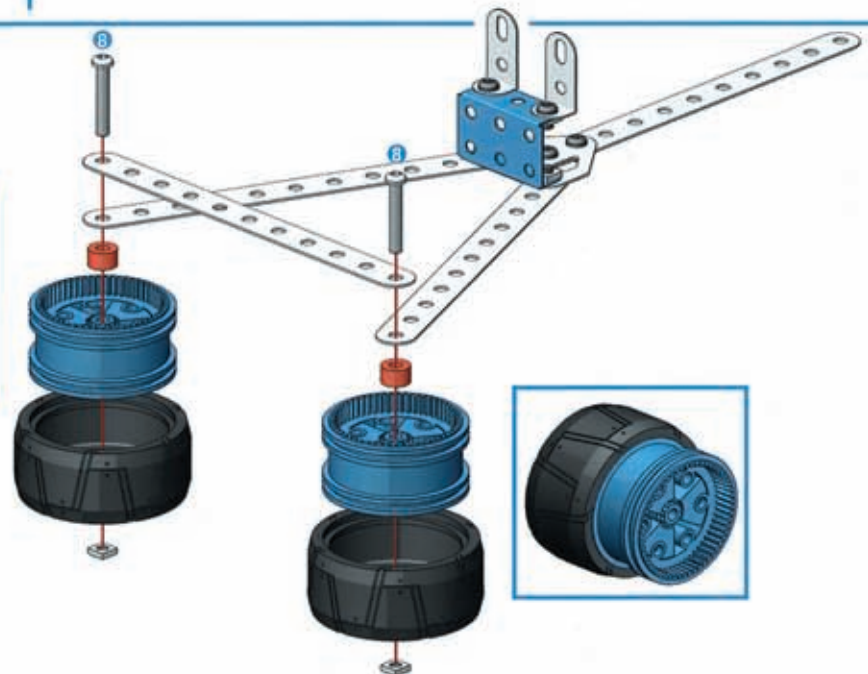
**6**

- 1x 1x10 Technic Beam
- 2x 1x2 Technic Brackets
- 4x Axles
- 4x 5.8 mm 1/4" Screws

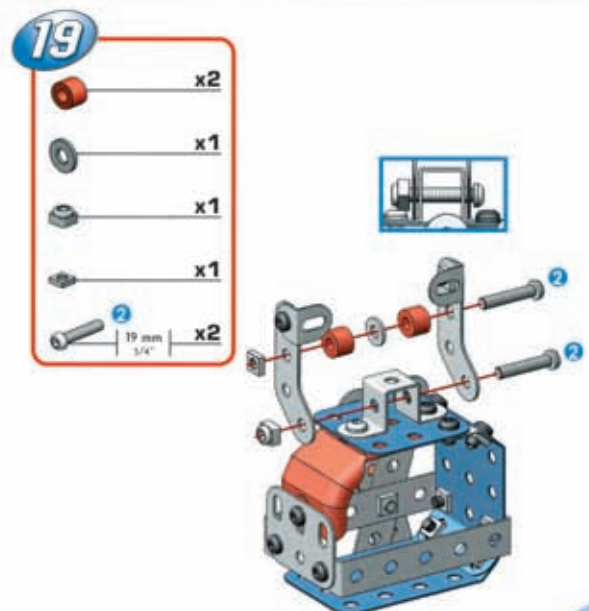
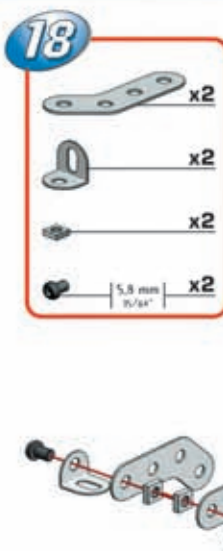
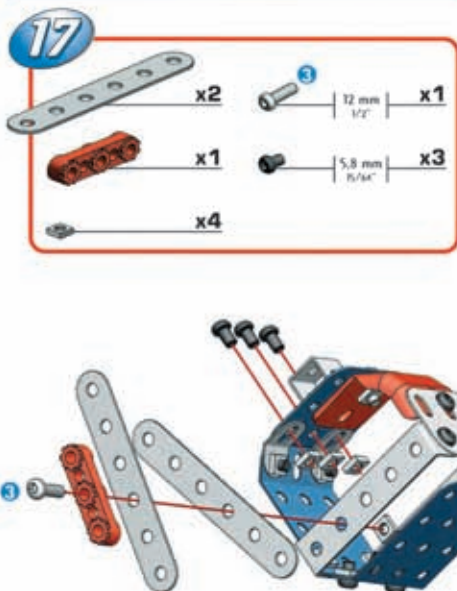
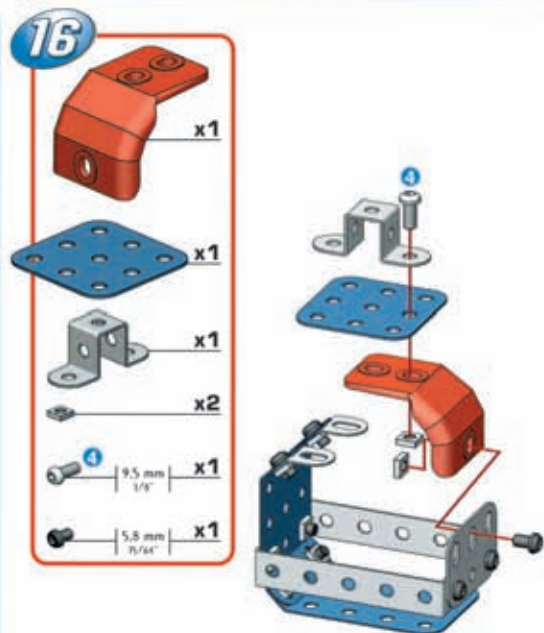
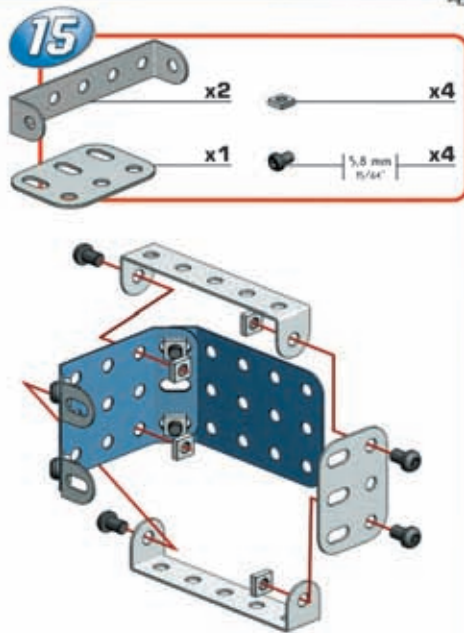
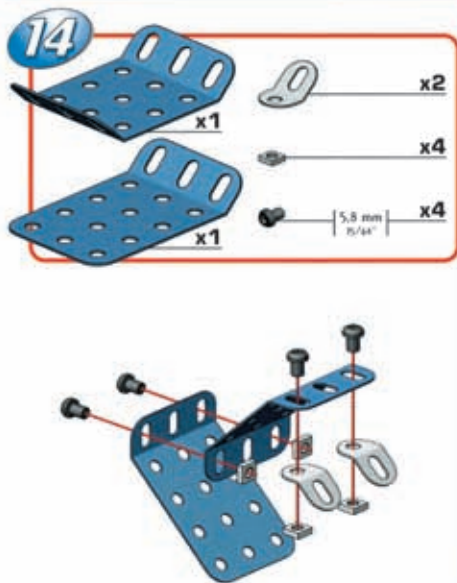
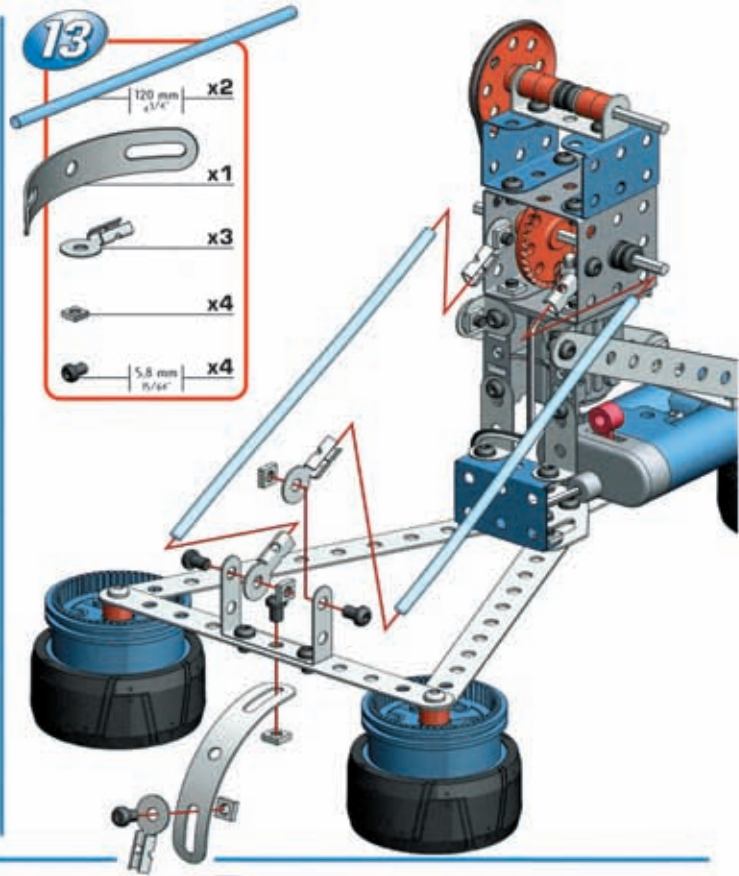
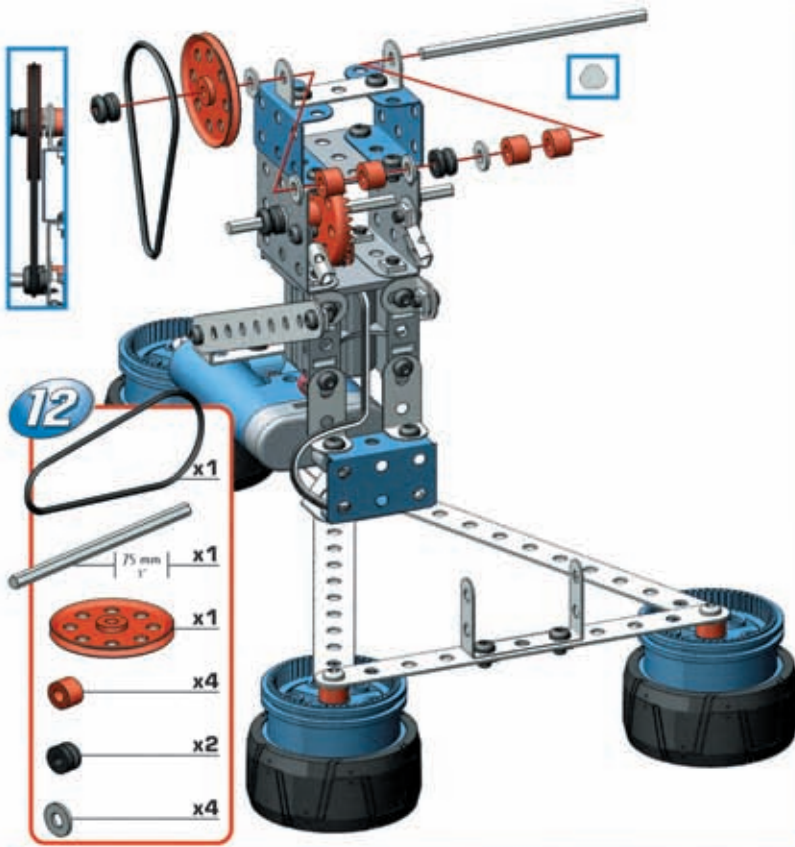


**7**









- 1x 1x10 Technic Beam
- 2x Blue Wheel
- 2x Black Wheel
- 2x Axles
- 2x Axles
- 2x 25.4 mm Axles

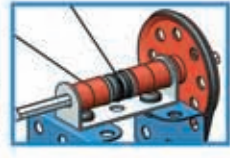
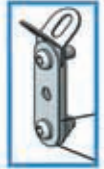
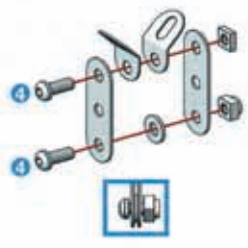
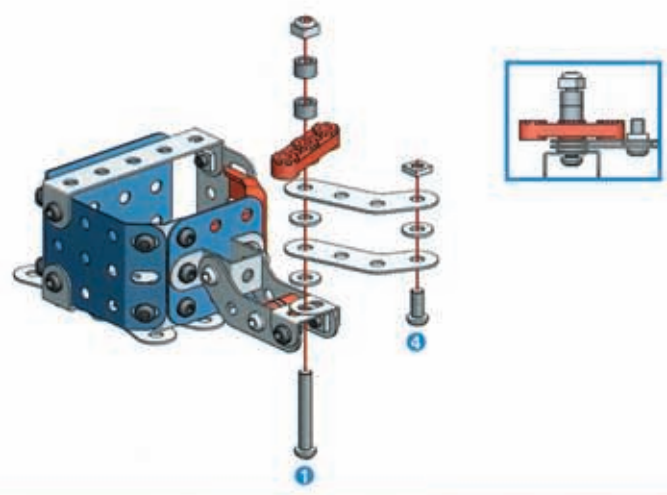














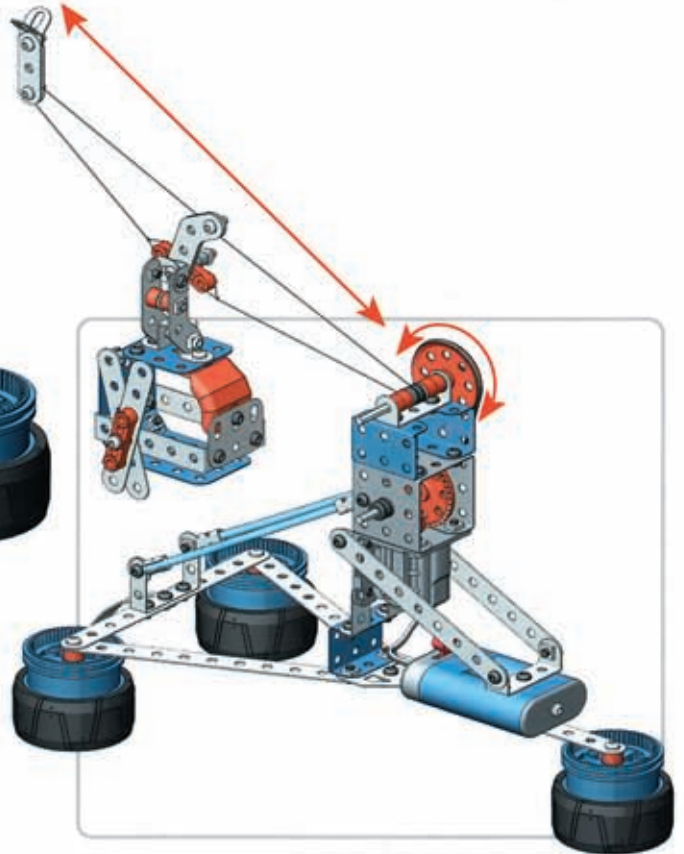
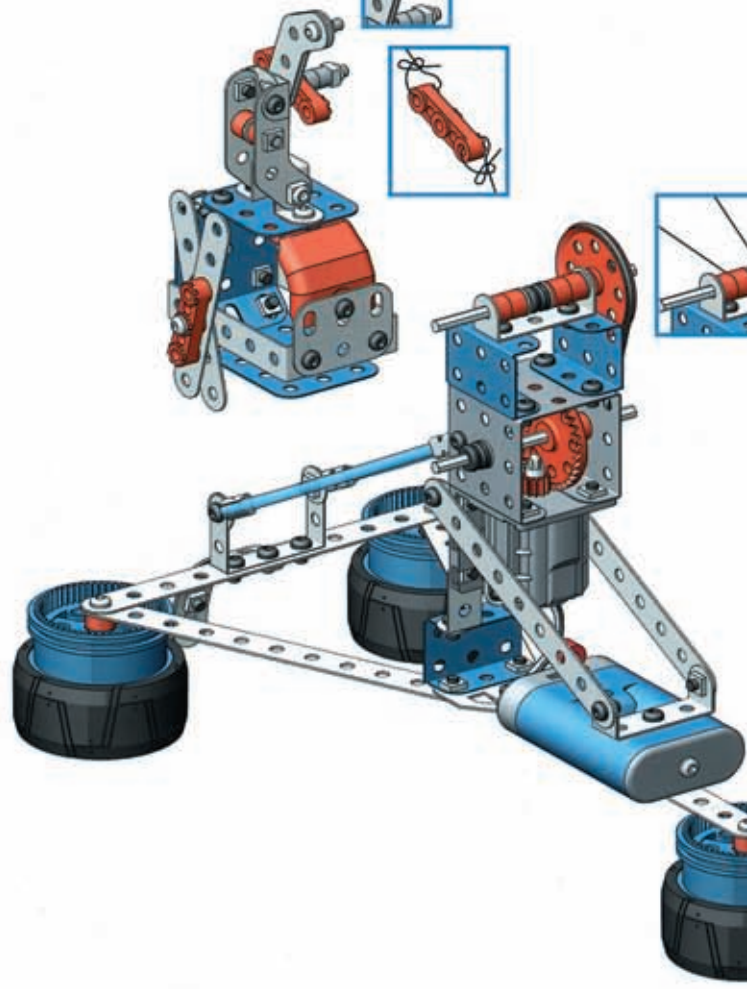
20

-  x2
-  x1
-  x3
-  x2
-  x1
-  x1
-  x1
-  x1



21

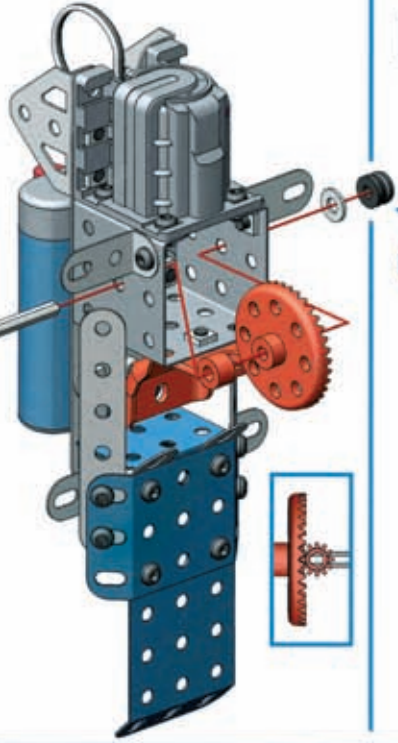
-  x1
-  x2
-  x2
-  x1
-  x1
-  x1
-  x1
-  x2



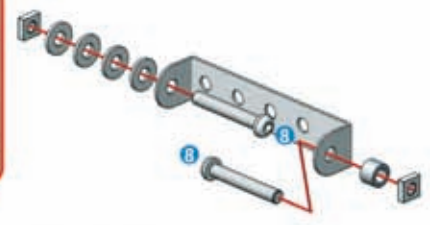




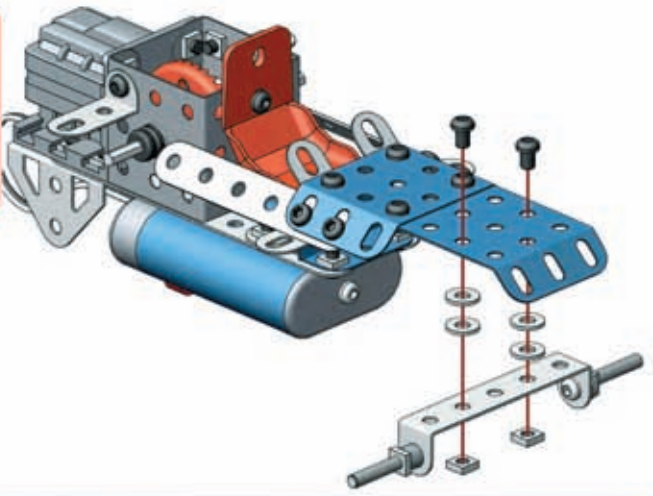
- 9**
- 75 mm  $\frac{3}{4}$ " x1
  - x1
  - x1
  - x2
  - x2



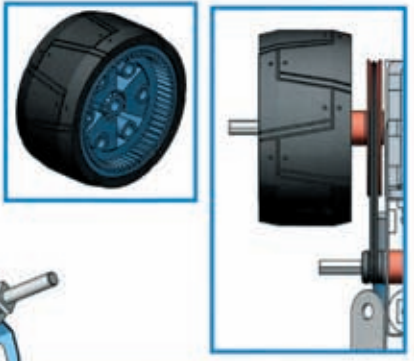
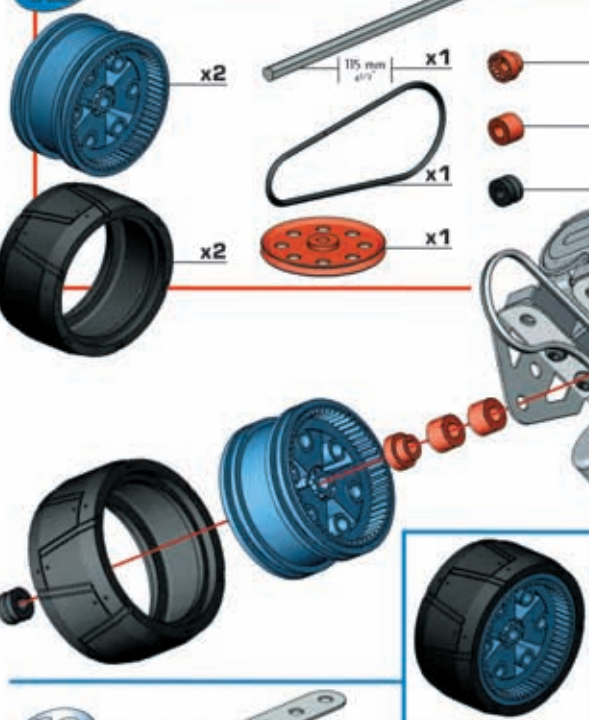
- 10**
- x1
  - x4
  - x2
  - 8
  - 25.4 mm  $1\frac{1}{4}$ " x2



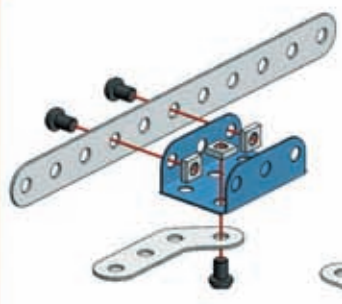
- 11**
- x4
  - x2
  - 5.8 mm  $\frac{9}{64}$ " x2



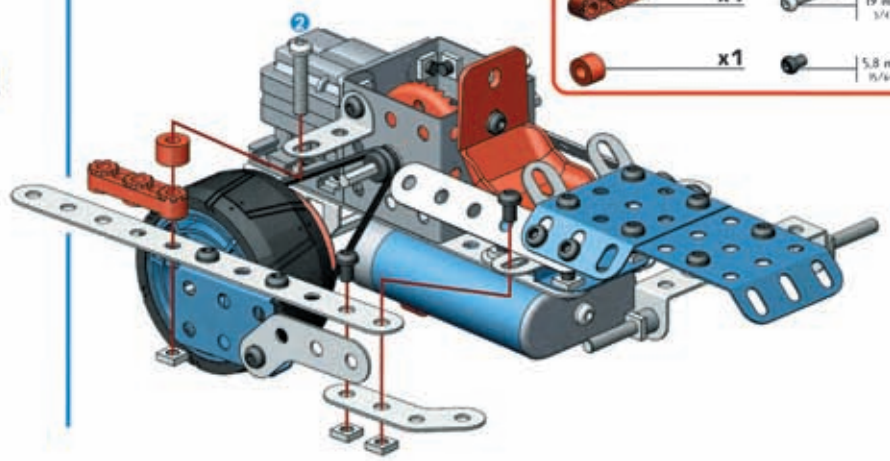
- 12**
- x2
  - 175 mm  $6\frac{7}{8}$ " x1
  - x2
  - x3
  - x2
  - x1
  - x1



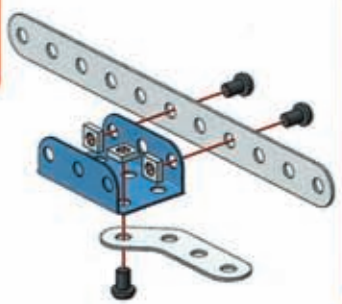
- 13**
- x1
  - x1
  - x1
  - x3
  - 5.8 mm  $\frac{9}{64}$ " x3



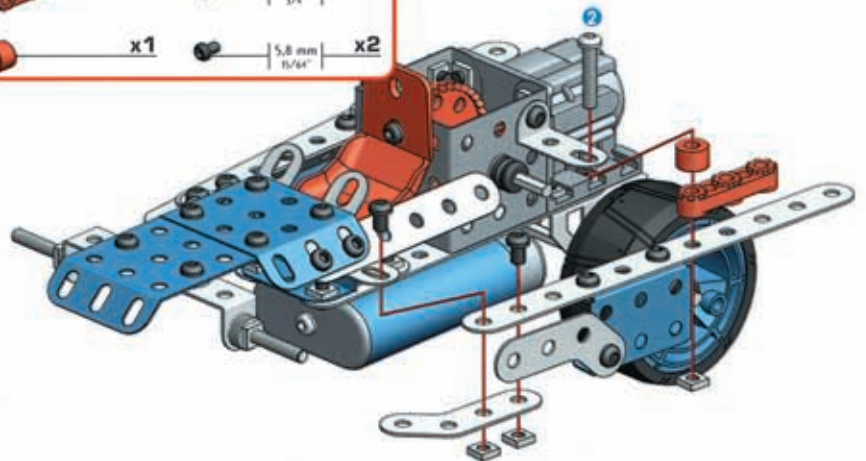
- 14**
- x1
  - x3
  - x1
  - 19 mm  $\frac{3}{4}$ " x1
  - x1
  - x1
  - 5.8 mm  $\frac{9}{64}$ " x2



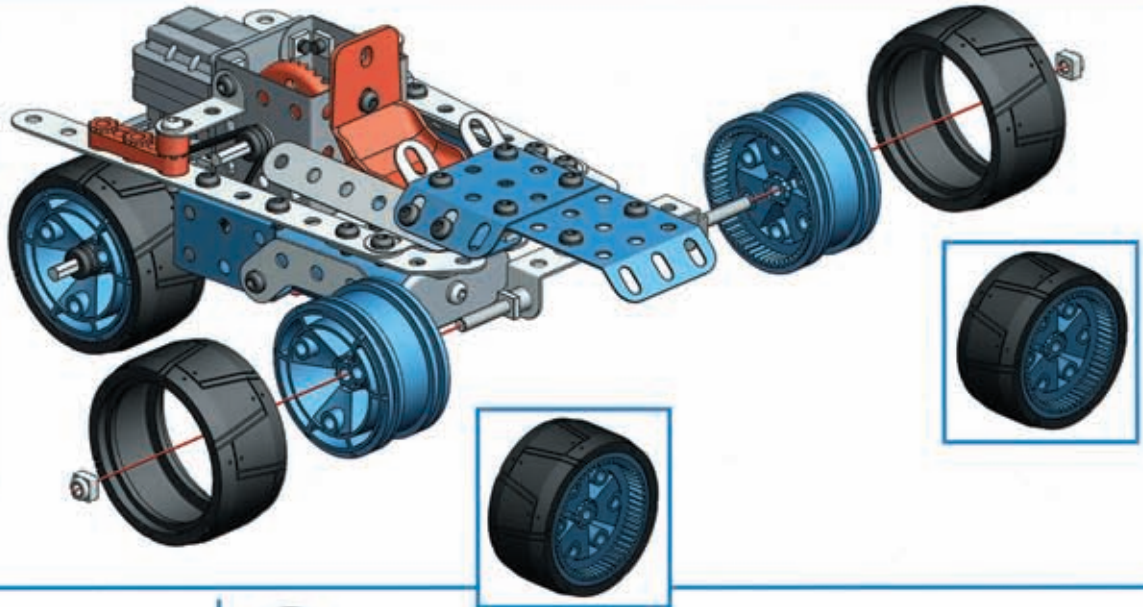
- 15**
- 1x1 Technic Beam (Grey) x1
  - 1x1 Technic Bracket (Blue) x1
  - 1x1 Technic Beam (Grey) x1
  - 3x1 Technic Pin (Grey) x3
  - 3x1 Technic Pin (Black) 5.8 mm 19/64" x3



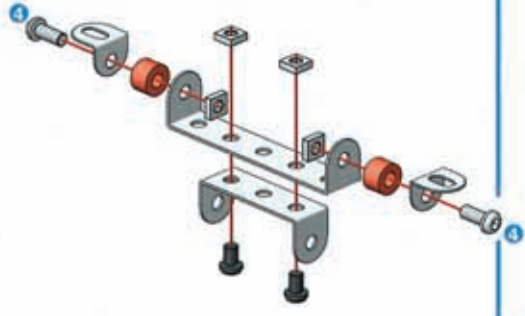
- 16**
- 1x1 Technic Beam (Grey) x1
  - 1x1 Technic Pin (Black) x3
  - 1x1 Technic Pin (Red) x1
  - 1x1 Technic Pin (Grey) 19 mm 3/4" x1
  - 1x1 Technic Pin (Black) 5.8 mm 19/64" x2



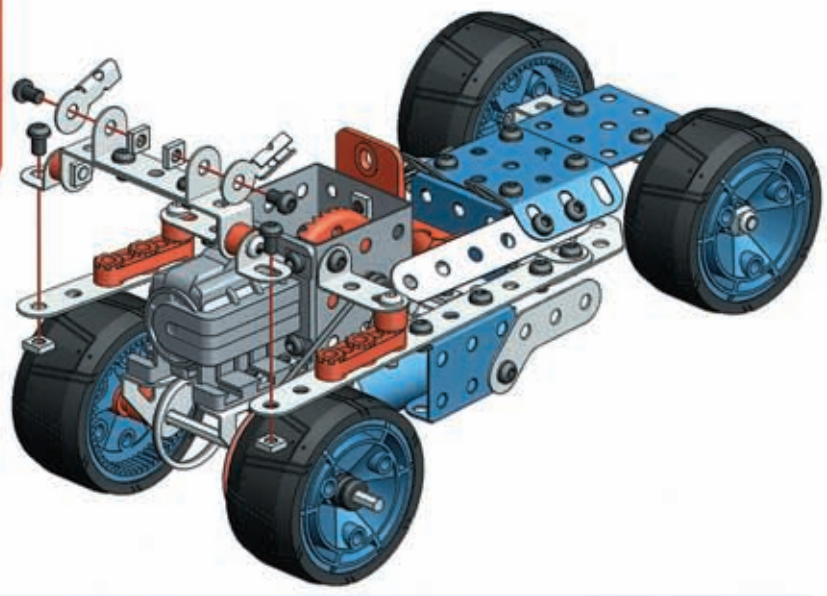
- 17**
- 2x1 Technic Wheel (Blue) x2
  - 2x1 Technic Tire (Black) x2
  - 2x1 Technic Pin (Grey) x2



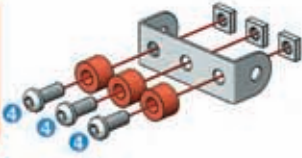
- 18**
- 1x1 Technic Beam (Grey) x1
  - 1x1 Technic Pin (Red) x2
  - 1x1 Technic Bracket (Blue) x1
  - 1x1 Technic Pin (Grey) x4
  - 1x1 Technic Pin (Blue) 9.5 mm 3/8" x2
  - 1x1 Technic Pin (Black) 5.8 mm 19/64" x2



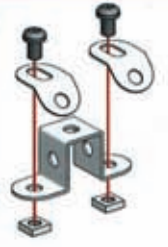
- 19**
- 1x1 Technic Pin (Grey) x2
  - 1x1 Technic Pin (Grey) x4
  - 1x1 Technic Pin (Black) 5.8 mm 19/64" x4



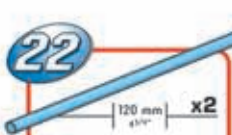




- 20**
- 1x1 Technic Bracket (Blue) x1
  - 1x1 Technic Pin (Black) x3
  - 1x1 Technic Pin (Red) x3
  - 1x1 Technic Pin (Blue) 9.5 mm 3/8" x3

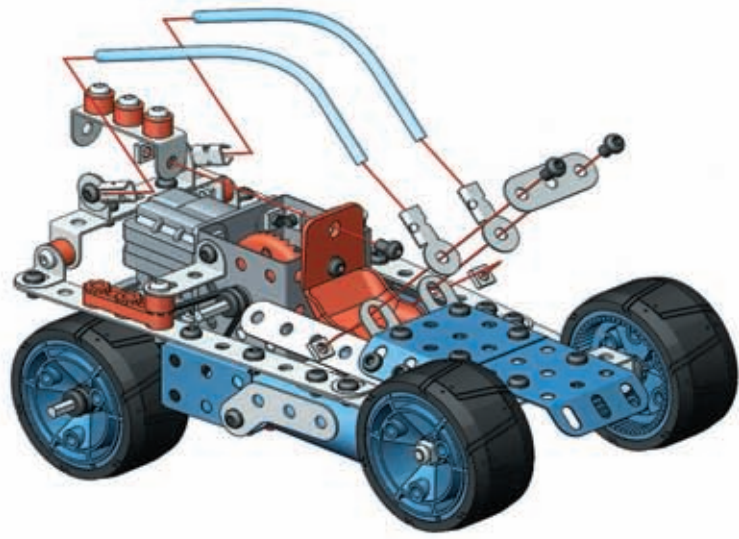


- 21**
- 1x1 Technic Bracket (Blue) x1
  - 1x1 Technic Pin (Grey) x2
  - 1x1 Technic Pin (Grey) x2
  - 1x1 Technic Pin (Black) 5.8 mm 19/64" x2

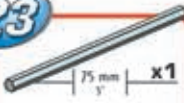



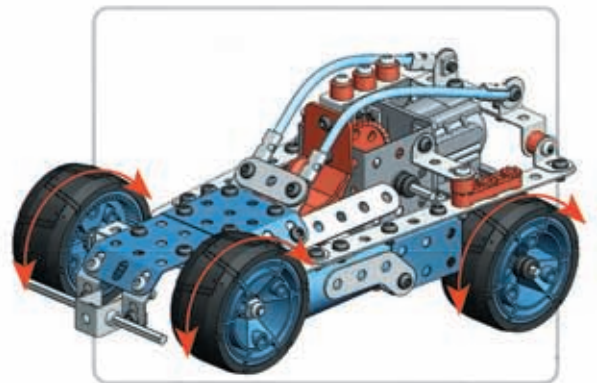
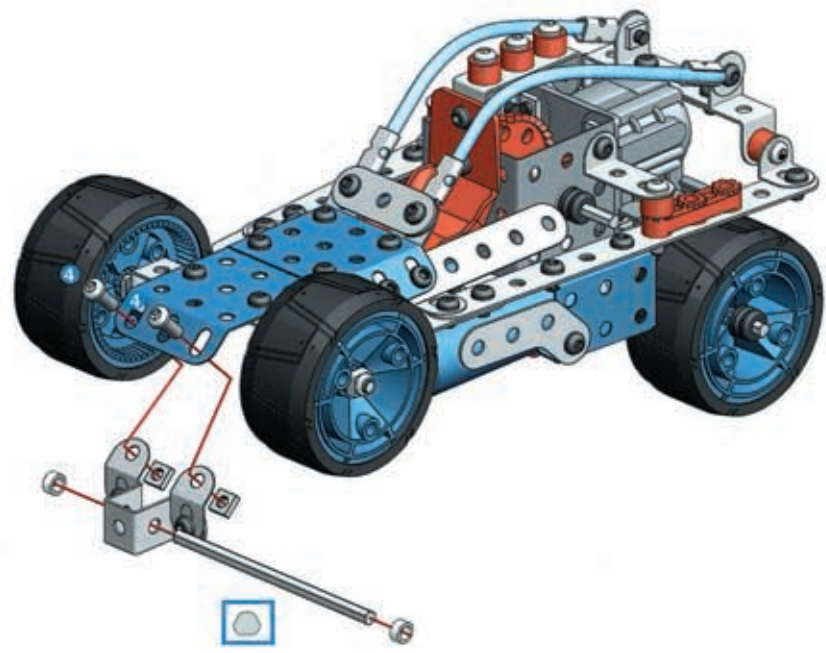
22

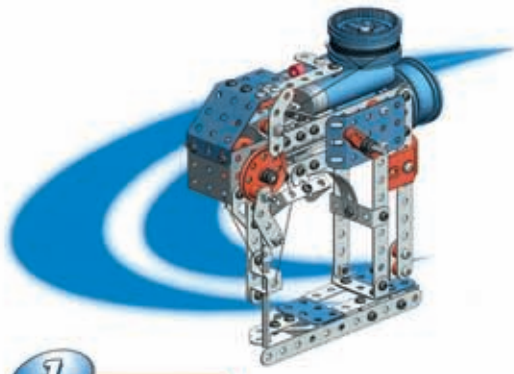
-  120 mm  
4 3/4" x2
-  x1
-  x2
-  x3
-  5,8 mm  
1/4" x3



23

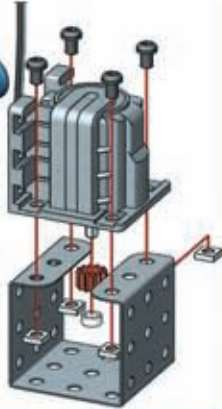
-  75 mm  
3" x1
-  x2
-  x2
-  9,5 mm  
3/8" x2





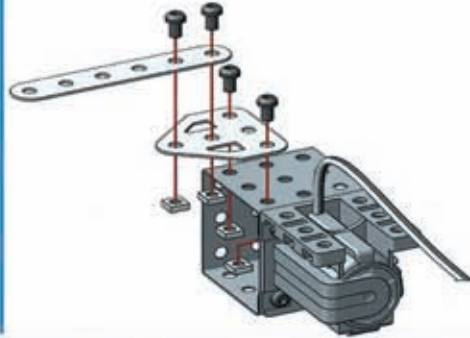
**1**

- 1x1 Technic Beam (Grey)
- 1x1 Technic Beam (Grey)
- 1x1 Motor
- 1x1 Axle Connector
- 1x1 Axle (Grey)
- 1x1 Axle (Grey)
- 4x1 Axles (Grey)
- 4x1 Axles (5.8 mm / 1/4") (Grey)



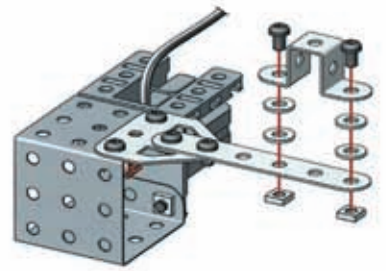
**2**

- 1x1 Technic Beam (Grey)
- 1x1 Technic Plate (Grey)
- 4x1 Axles (Grey)
- 4x1 Axles (5.8 mm / 1/4") (Grey)



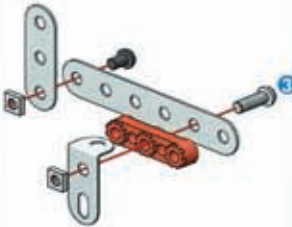
**3**

- 1x1 Technic L-Bracket (Grey)
- 4x1 Axles (Grey)
- 2x1 Axles (Grey)
- 2x1 Axles (5.8 mm / 1/4") (Grey)



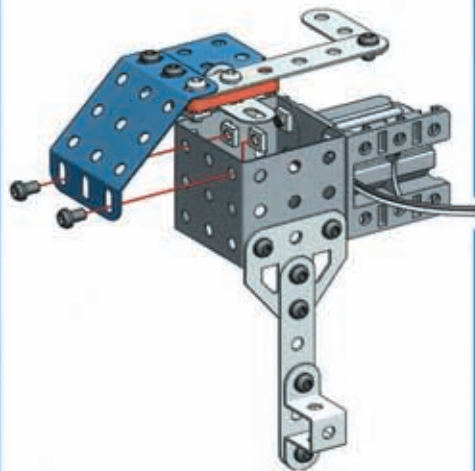
**4**

- 1x1 Technic Beam (Grey)
- 1x1 Technic Beam (Grey)
- 1x1 Technic L-Bracket (Grey)
- 1x1 Axle Connector (Red)
- 2x1 Axles (Grey)
- 1x1 Axle (12 mm / 1/2") (Grey)
- 1x1 Axle (5.8 mm / 1/4") (Grey)



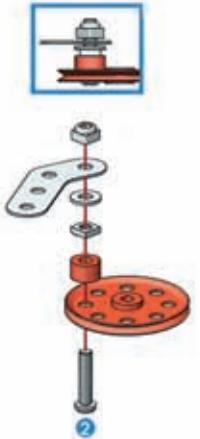
**6**

- 2x1 Axles (Grey)
- 2x1 Axles (5.8 mm / 1/4") (Grey)



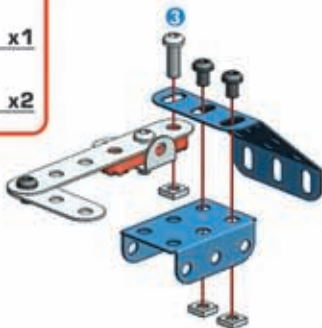
**7**

- 1x1 Pulley (Red)
- 1x1 Technic Beam (Grey)
- 1x1 Axle Connector (Red)
- 1x1 Axle (Grey)
- 1x1 Axle (Grey)
- 1x1 Axle (Grey)
- 1x1 Axle (Grey)
- 1x1 Axle (19 mm / 3/4") (Grey)



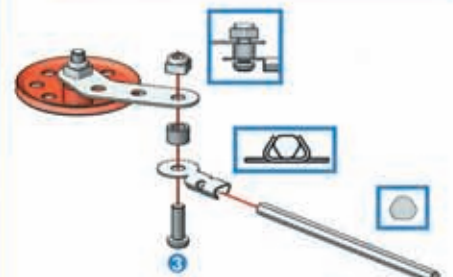
**5**

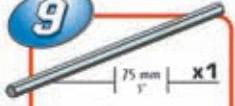




- 1x1 Technic Plate (Blue)
- 1x1 Technic L-Bracket (Blue)
- 3x1 Axles (Grey)
- 1x1 Axle (12 mm / 1/2") (Grey)
- 2x1 Axles (5.8 mm / 1/4") (Grey)

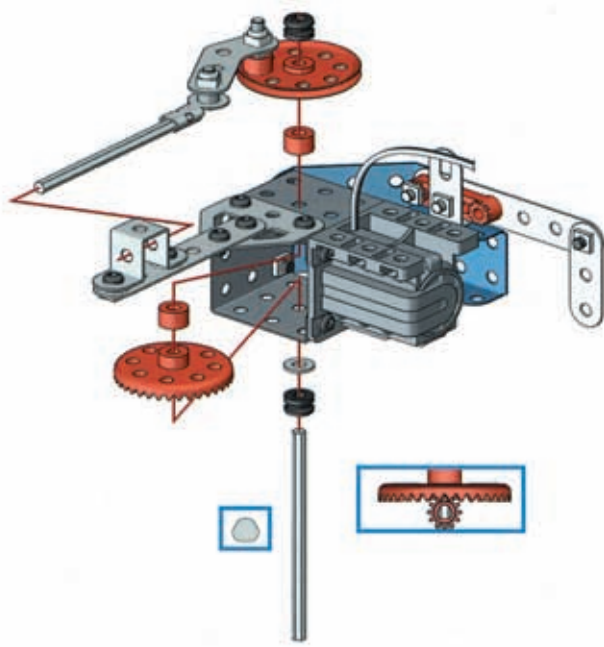








**8**

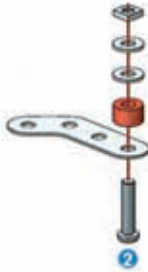
- 1x1 Axle (75 mm / 1") (Grey)
- 1x1 Axle (12 mm / 1/2") (Grey)
- 1x1 Axle (Grey)
- 1x1 Axle (Grey)

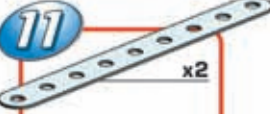




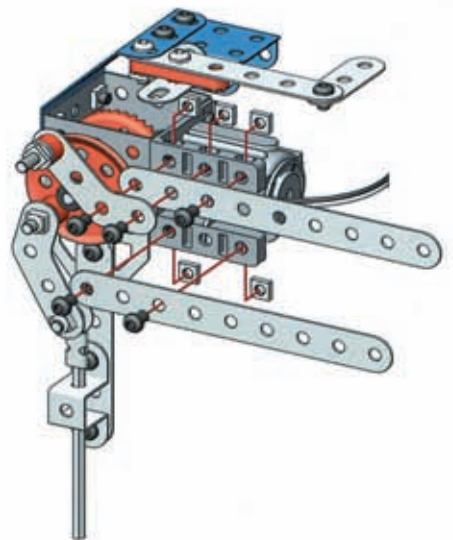
- 9**
-  75 mm | x1
  -  x1
  -  x2
  -  x2
  -  x1






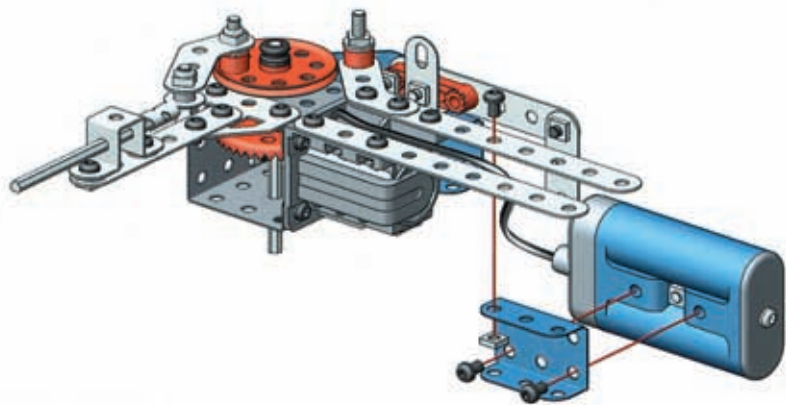
- 10**
-  x1
  -  x1
  -  x2
  -  x1
  -  x1
  -  19 mm | 3/4" | x1

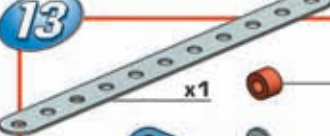







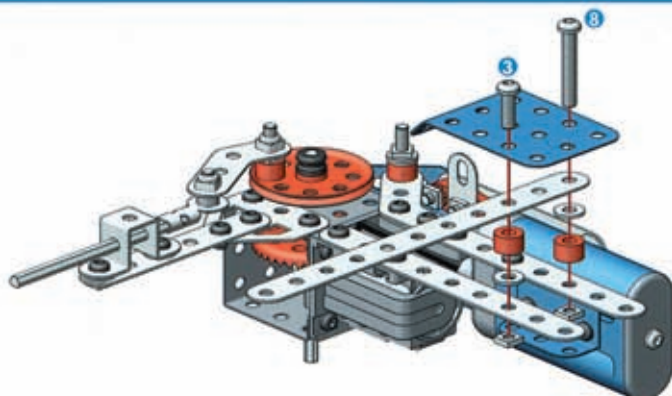
- 11**
-  x2
  -  x5
  -  5.8 mm | 9/64" | x5

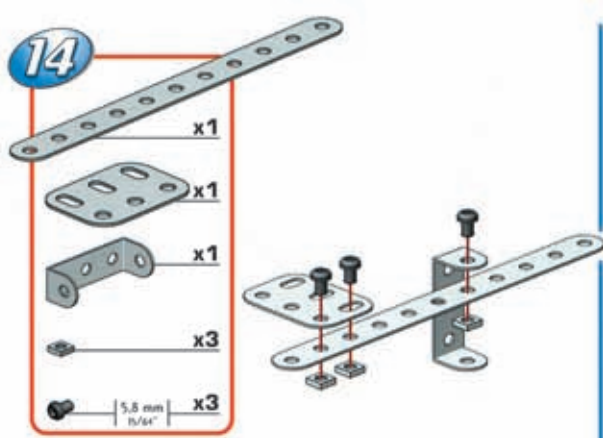
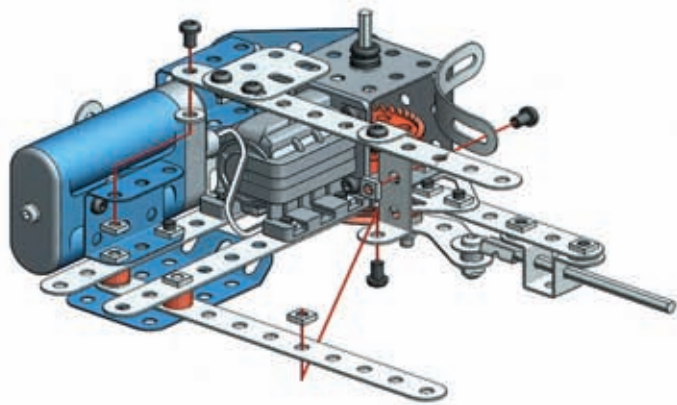
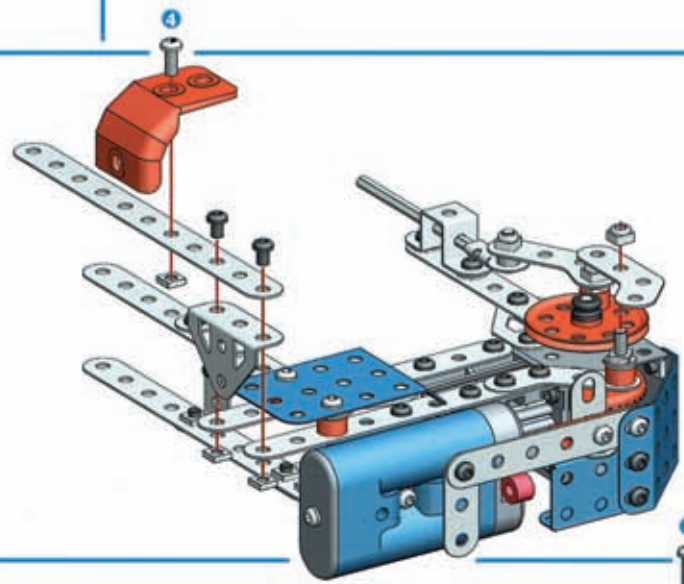
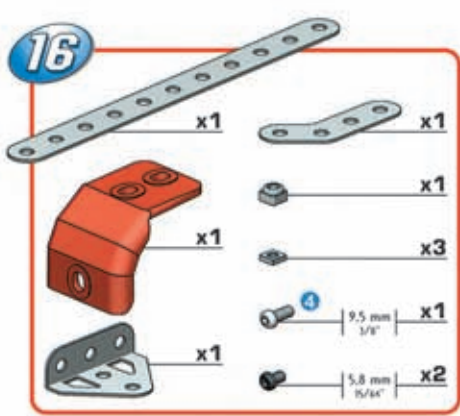
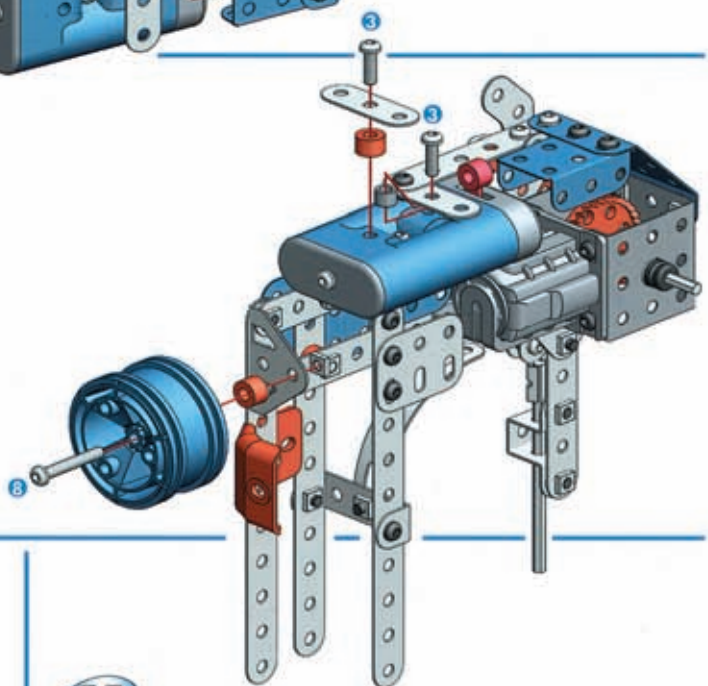
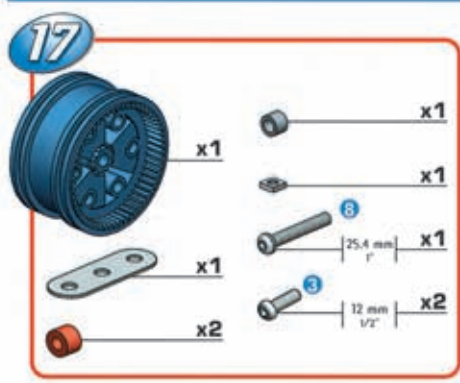
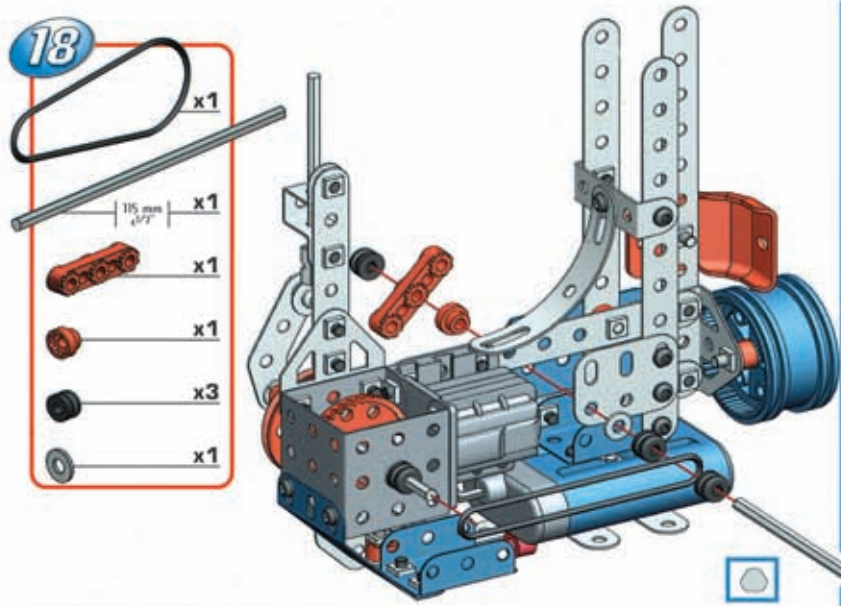
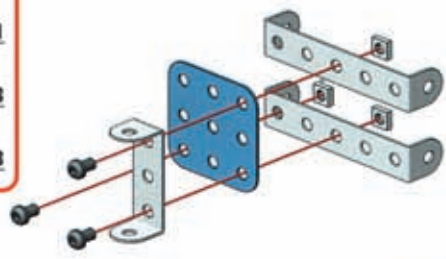
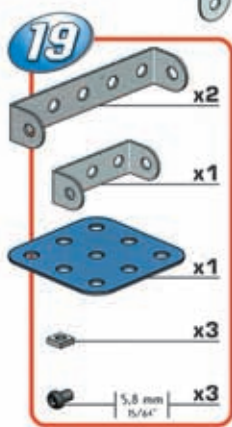


- 12**
-  x1
  -  x1
  -  5.8 mm | 9/64" | x3

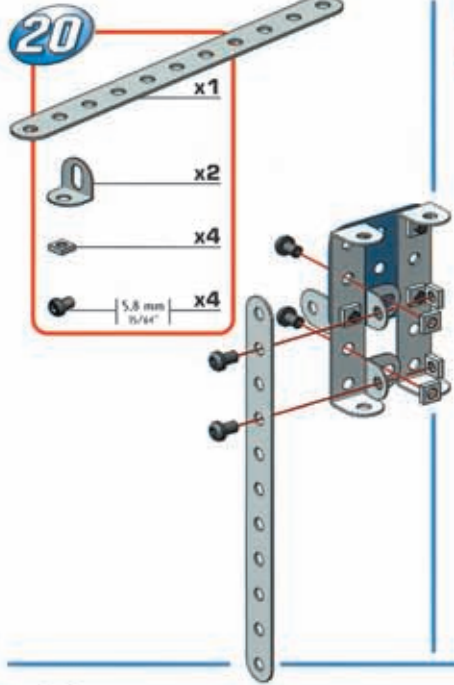


- 13**
-  x1
  -  x2
  -  x2
  -  x2
  -  25.4 mm | 1" | x1
  -  12 mm | 1/2" | x1

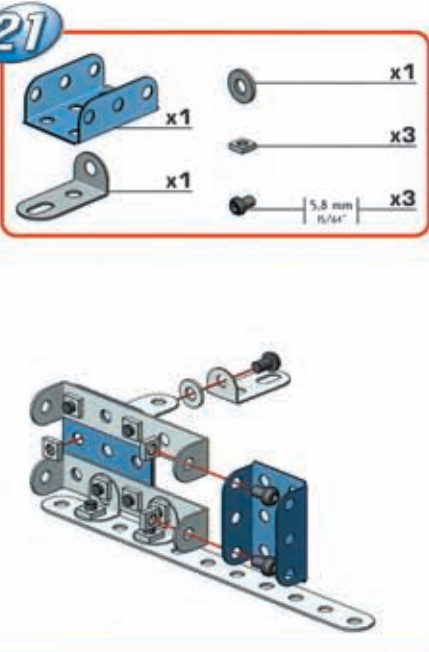


**14****15****16****17****18****19**

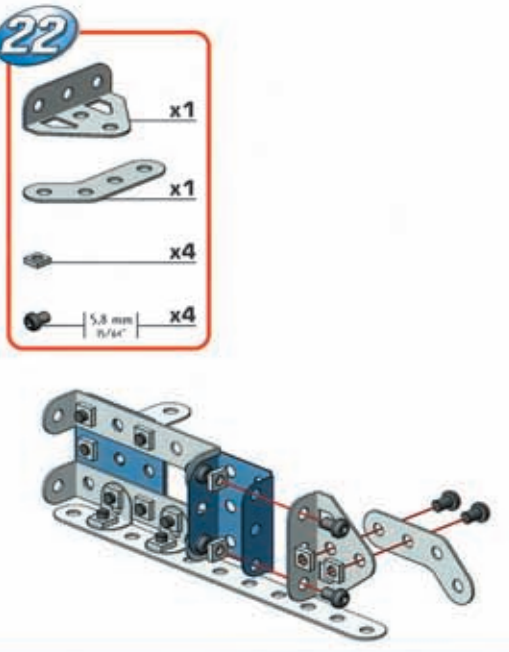
20



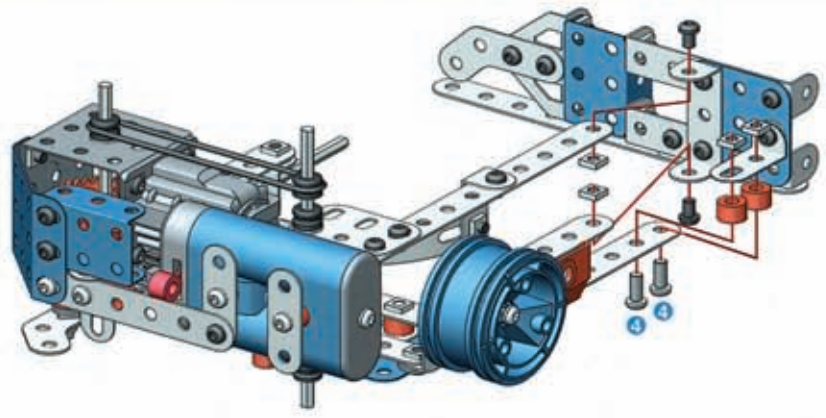
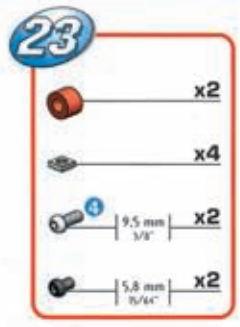
21



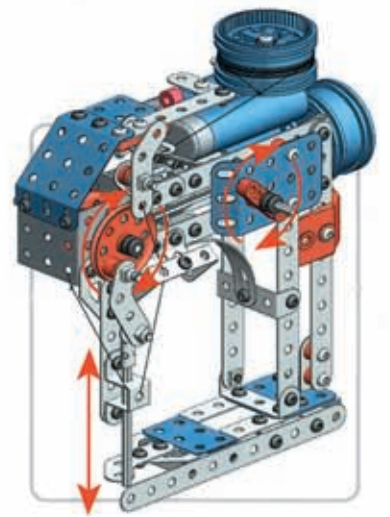
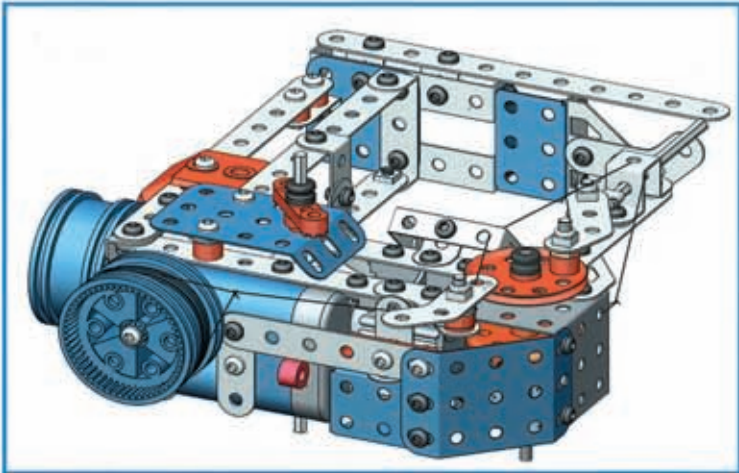
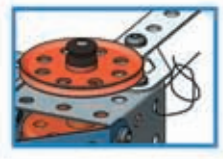
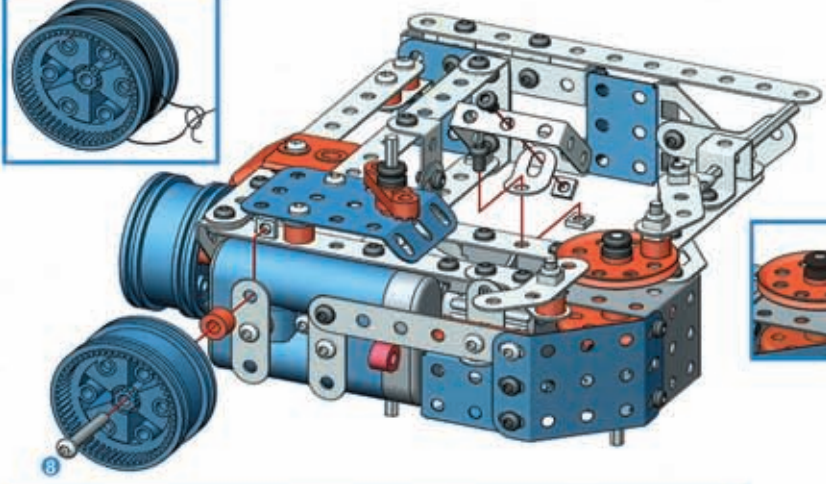
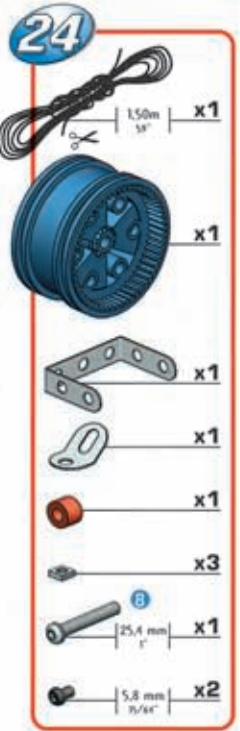
22



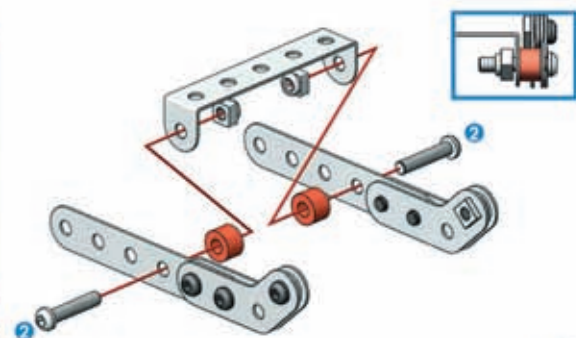
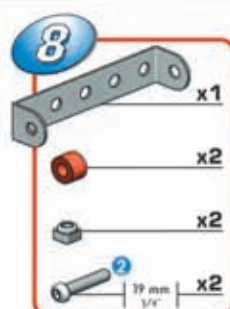
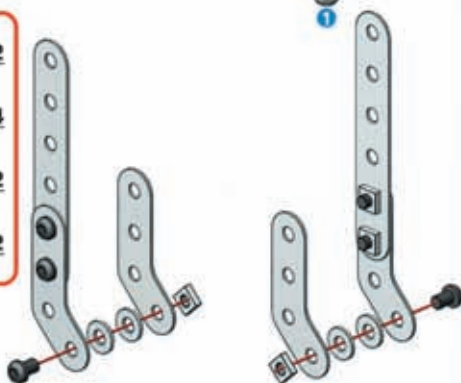
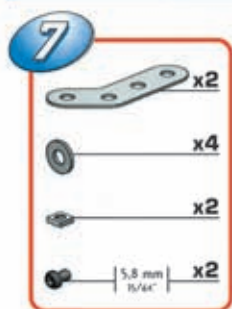
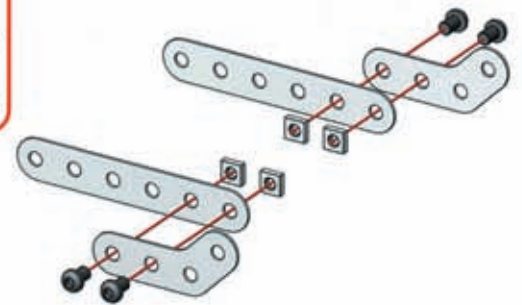
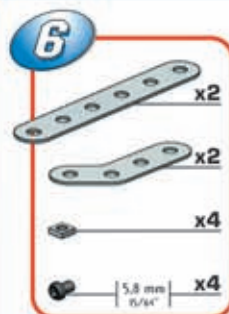
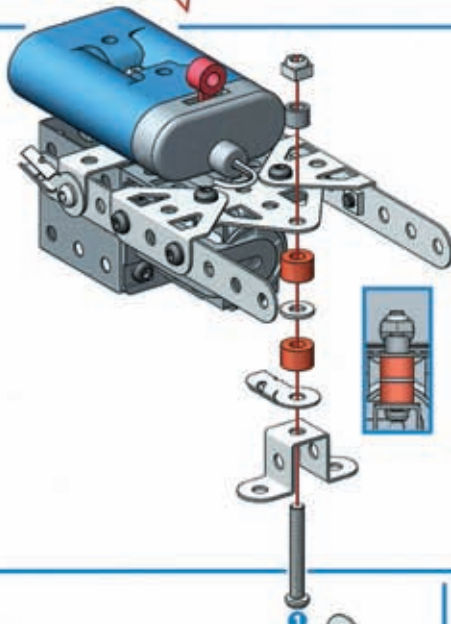
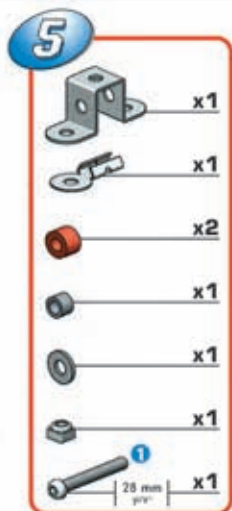
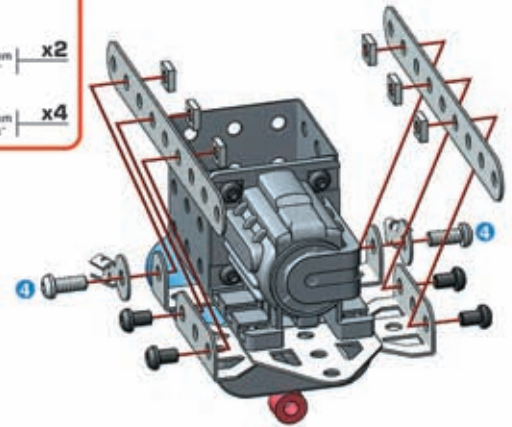
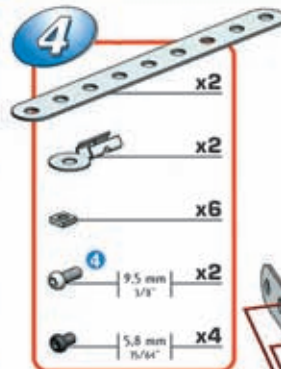
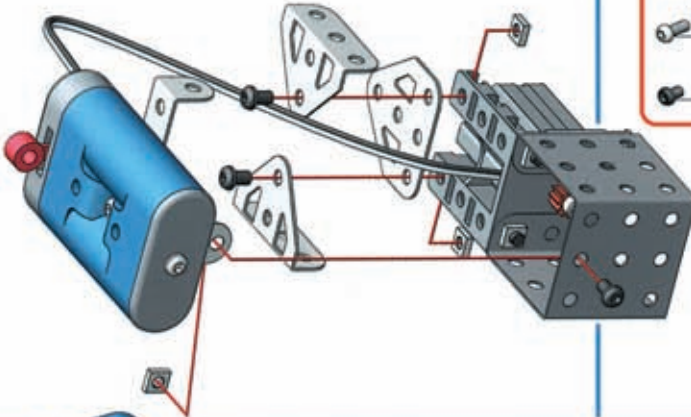
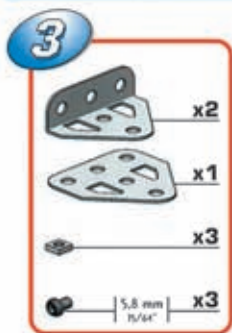
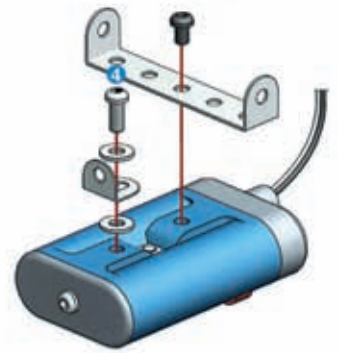
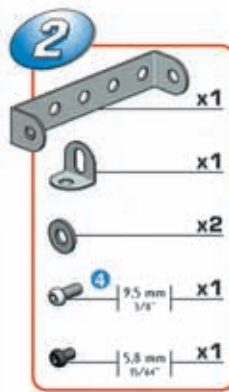
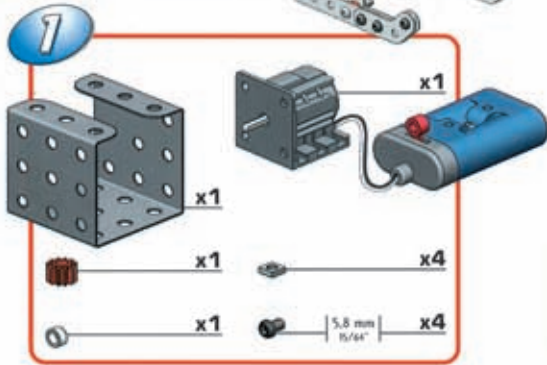
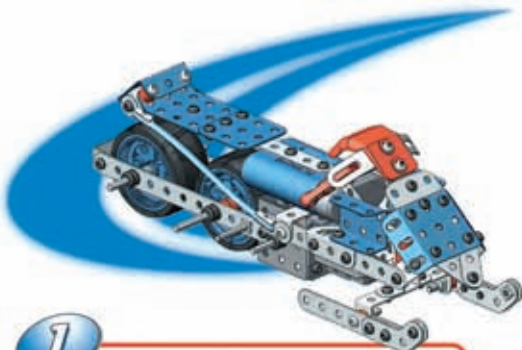
23



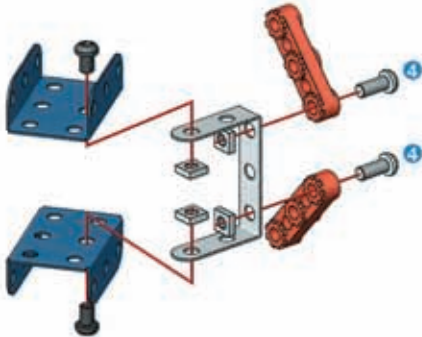
24



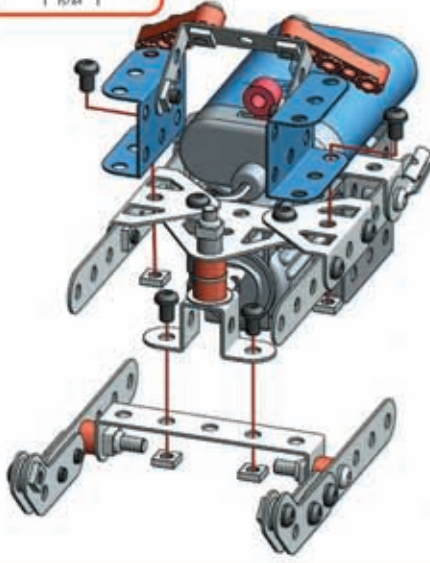




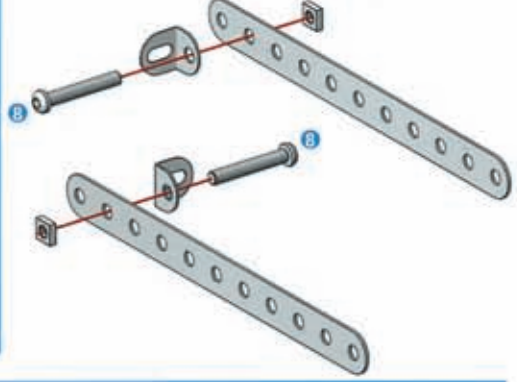
- 9**
- Blue L-shaped Technic beam (1x3) x1
  - Blue Technic beam (1x5) x2
  - Orange Technic axle (1/2) x2
  - Grey Technic pin (1/2) x4
  - Grey Technic pin (1/2) with 9.5 mm spacer x2
  - Grey Technic pin (1/2) with 5.8 mm spacer x2



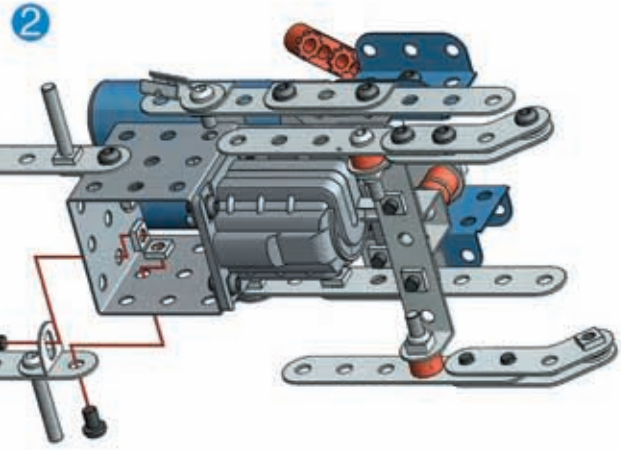
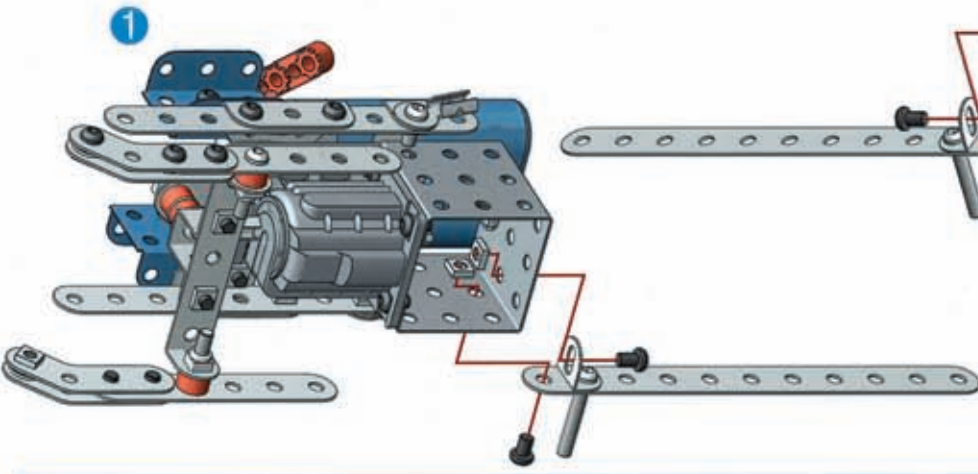
- 10**
- Grey Technic pin (1/2) x4
  - Grey Technic pin (1/2) with 5.8 mm spacer x4



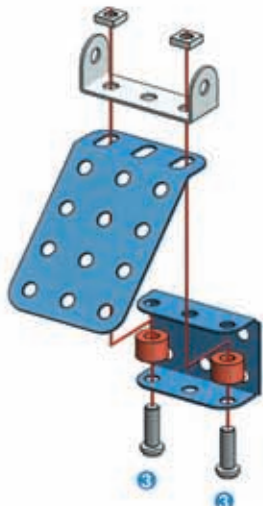
- 11**
- Grey Technic beam (1x10) x2
  - Grey Technic pin (1/2) with 9.5 mm spacer x2
  - Grey Technic pin (1/2) x2
  - Grey Technic pin (1/2) with 25.4 mm spacer x2



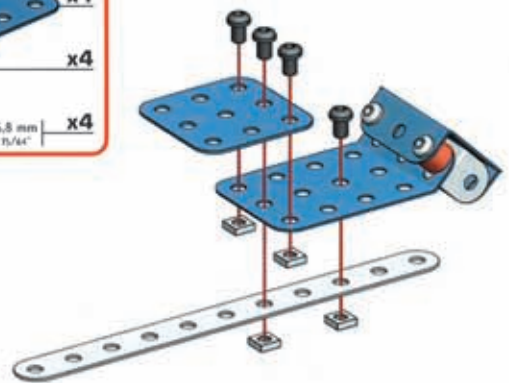
- 12**
- Grey Technic pin (1/2) x4
  - Grey Technic pin (1/2) with 5.8 mm spacer x4






- 13**
- Blue Technic plate (10x10) x1
  - Blue Technic beam (1x5) x1
  - Grey Technic L-shaped beam (1x3) x1
  - Orange Technic axle (1/2) x2
  - Grey Technic pin (1/2) x2
  - Grey Technic pin (1/2) with 12 mm spacer x2

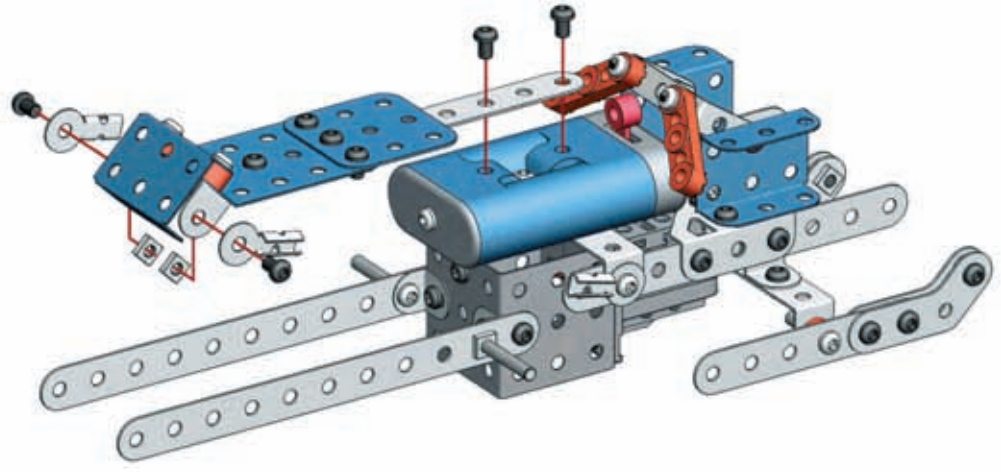


- 14**
- Grey Technic beam (1x10) x1
  - Blue Technic plate (10x10) x1
  - Grey Technic pin (1/2) x4
  - Grey Technic pin (1/2) with 5.8 mm spacer x4

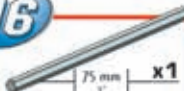







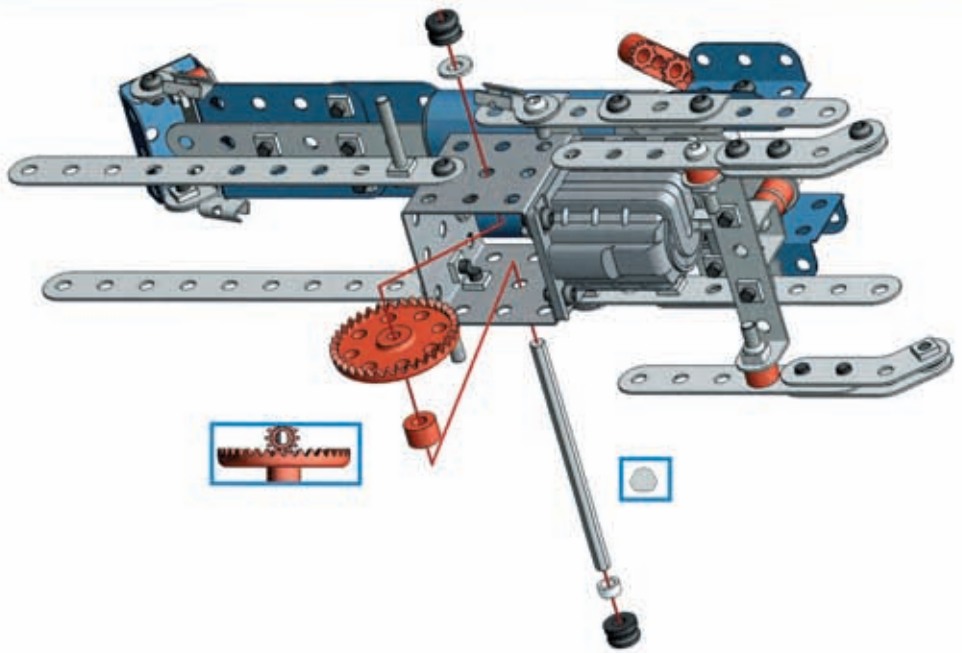
15

-  x2
-  x2
-  5,0 mm 15/64" x4



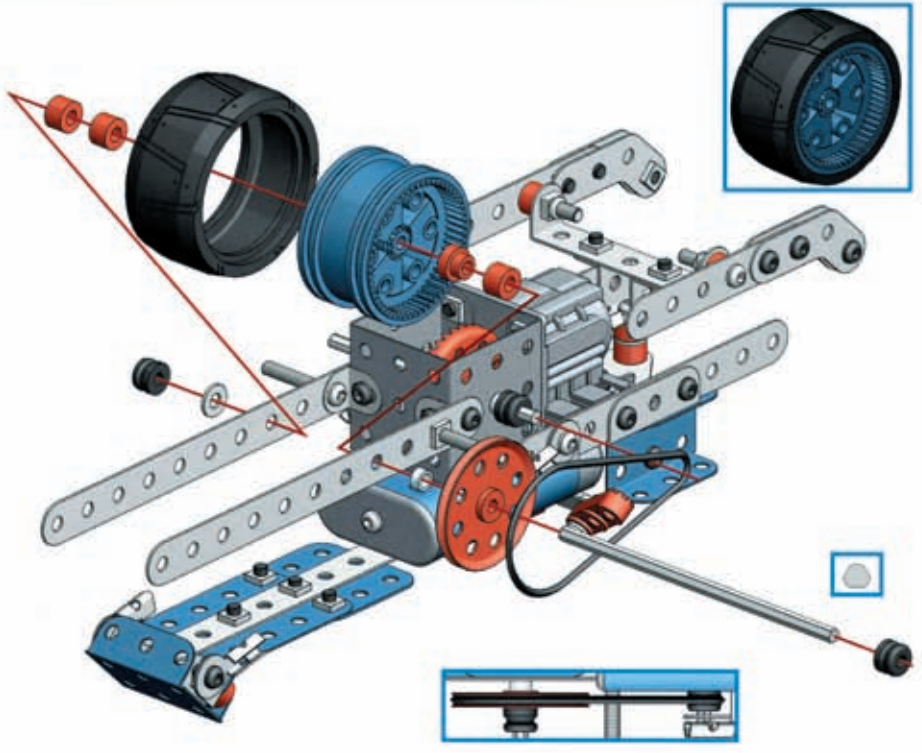
16

-  75 mm 3" x1
-  x1
-  x1
-  x2
-  x1
-  x1






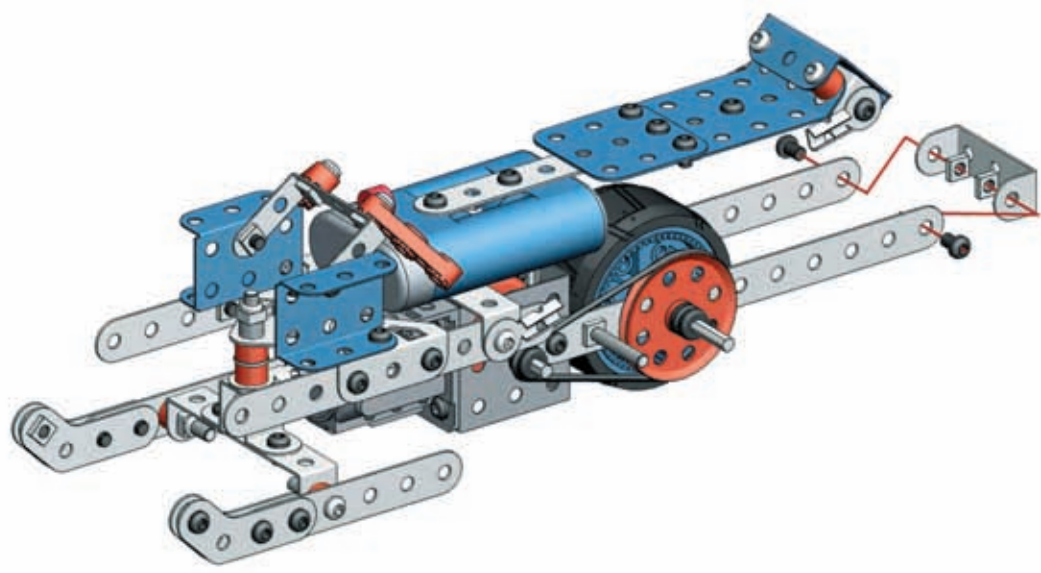
17

-  x1
-  x1
-  x1
-  100 mm 4" x1
-  x1
-  x3
-  x1
-  x2
-  x1
-  x1




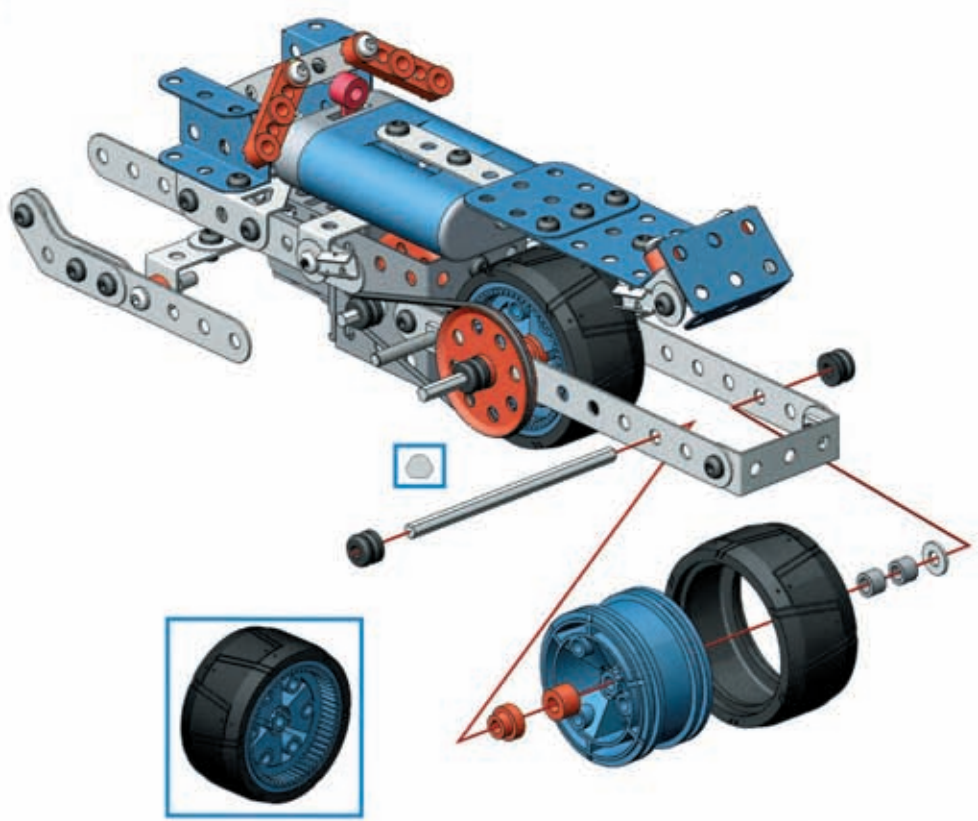
18

-  x1
-  x2
-  x2







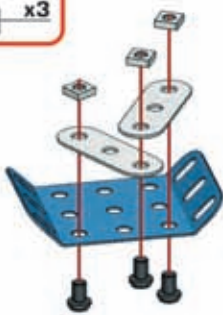
19

-  x1
-  x1
-  75 mm x1
-  x1
-  x2
-  x1
-  x2
-  x1







20

-  x1
-  x2
-  x3
-  x3

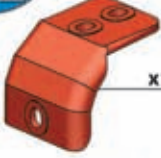






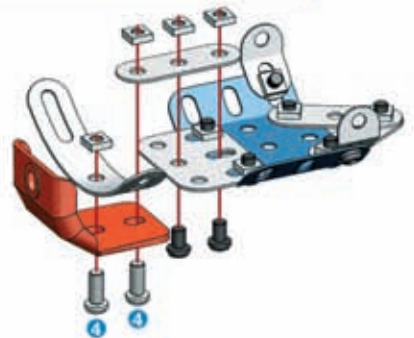
21

-  x1
-  x2
-  x4
-  x4

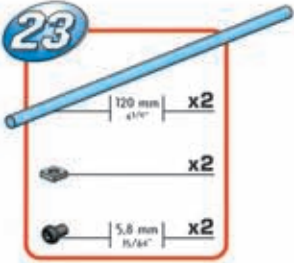


22

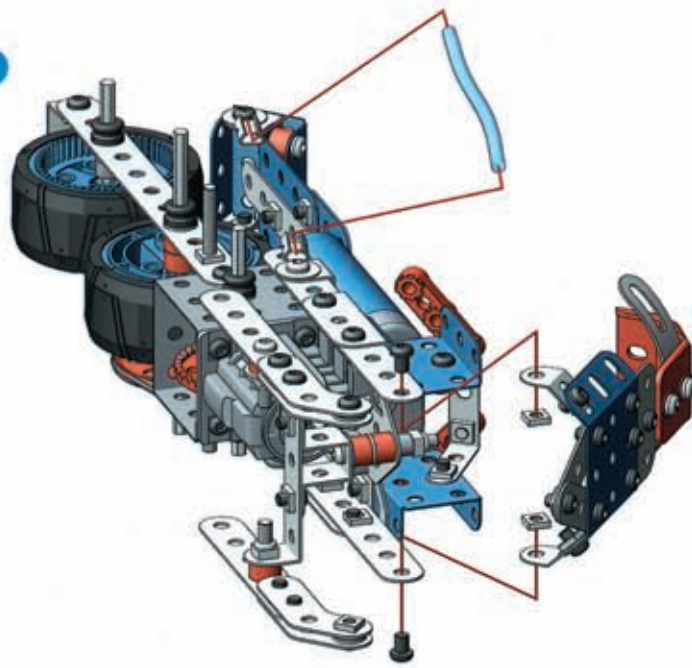
-  x1
-  x1
-  x4
-  x2
-  x2



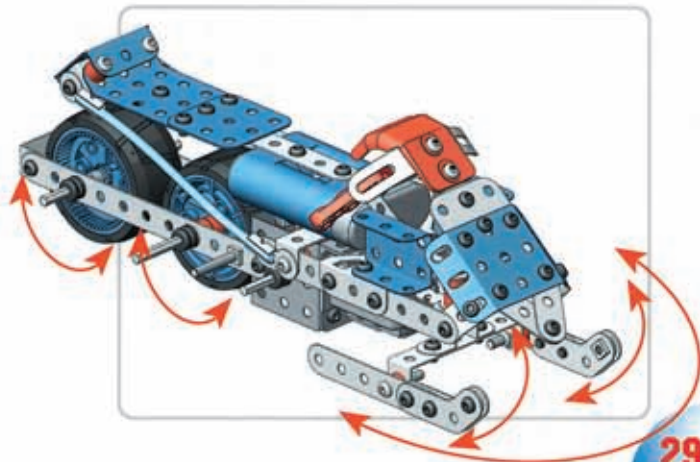
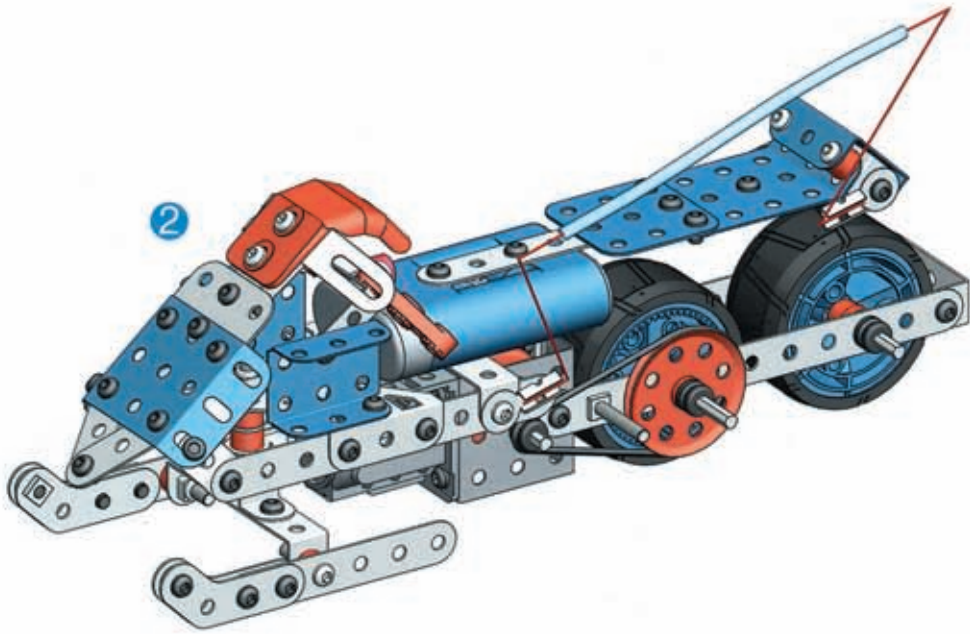
23

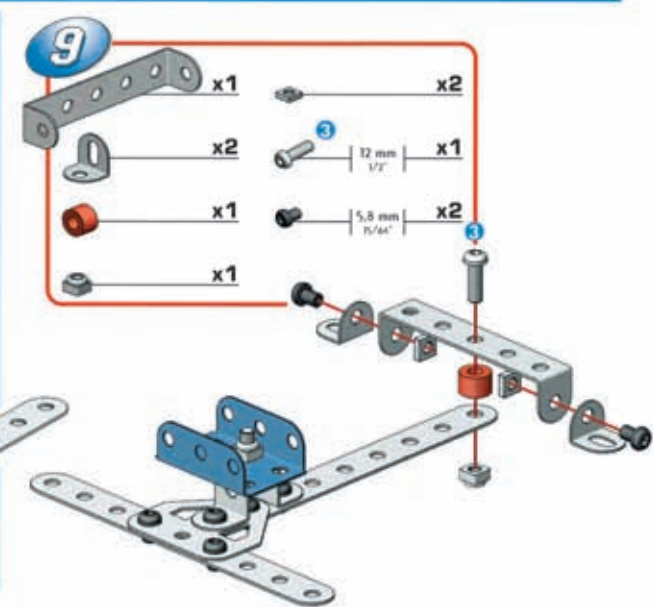
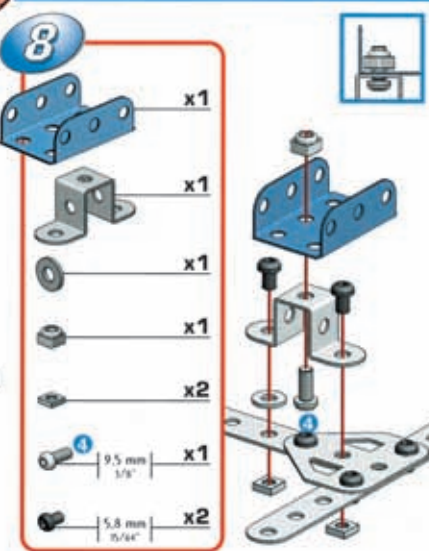
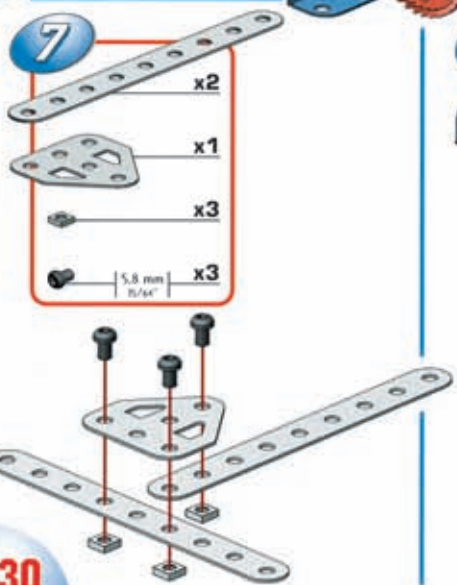
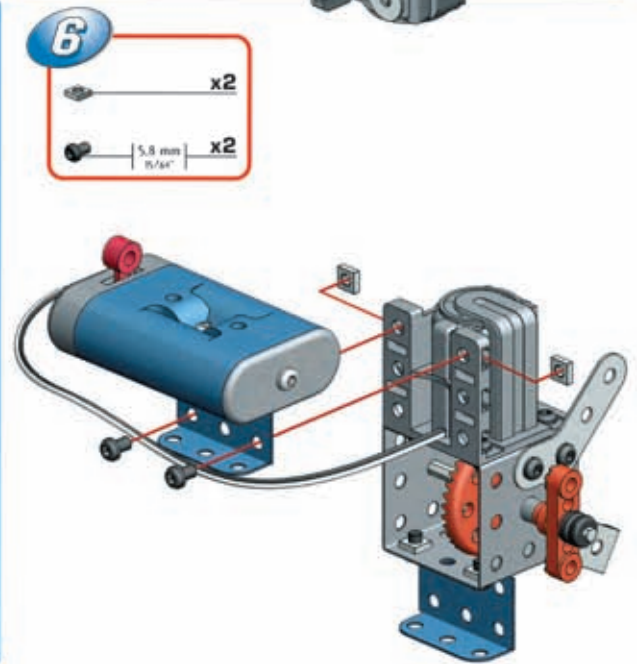
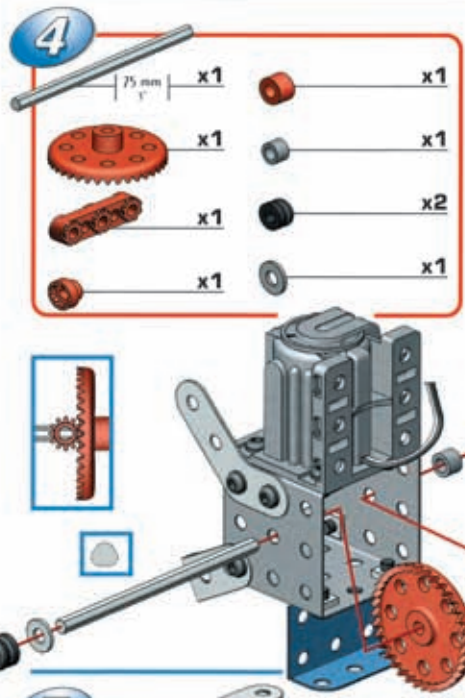
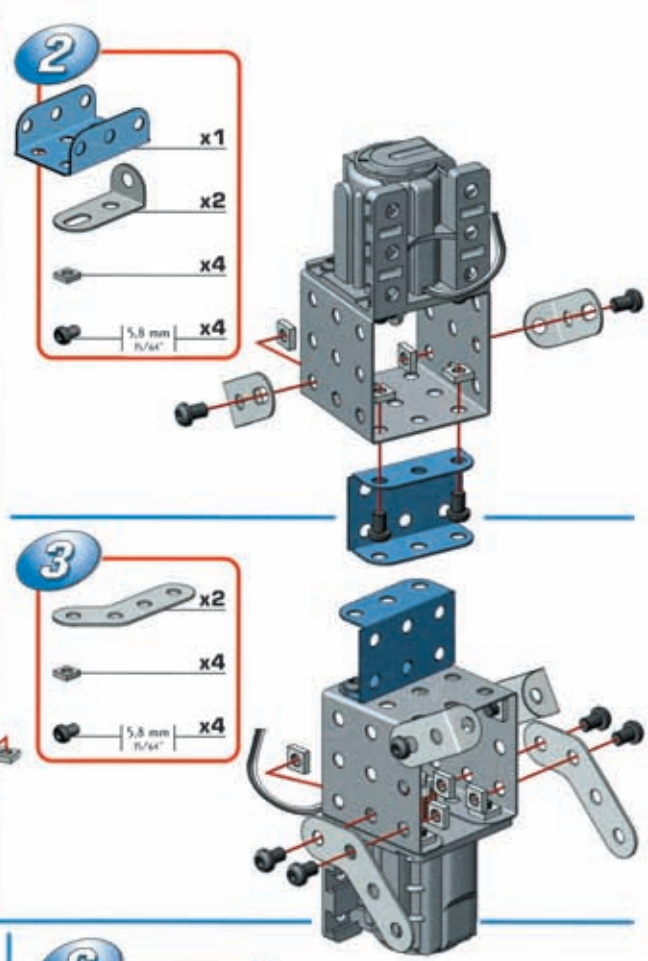
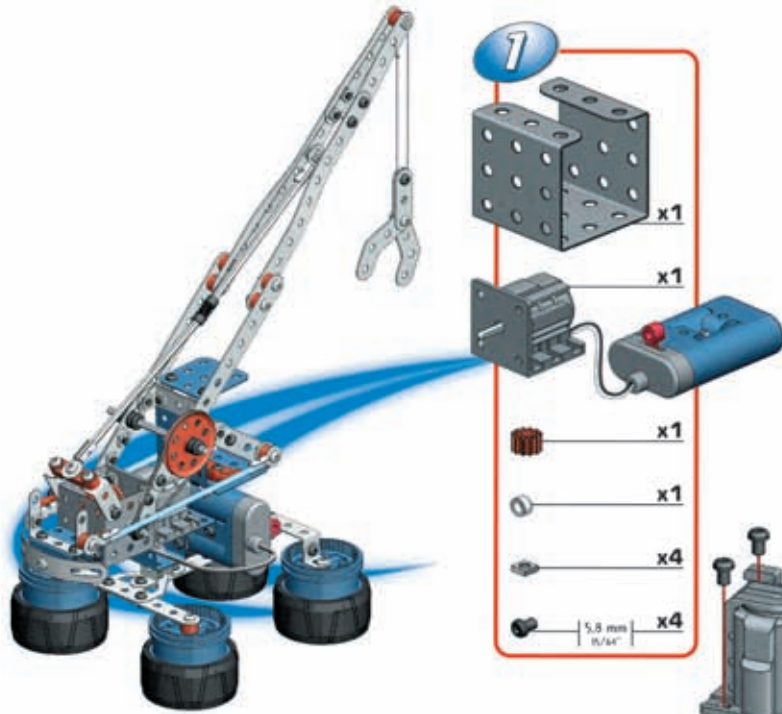


1

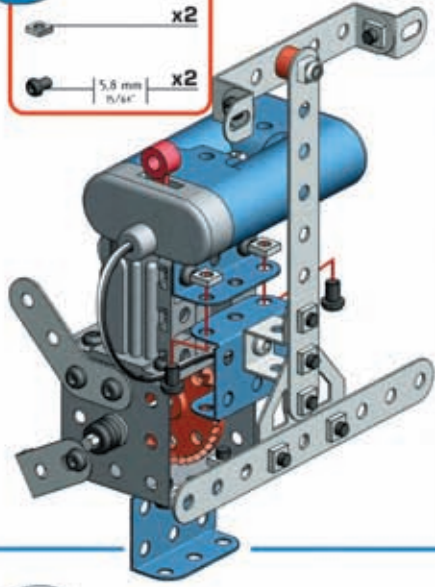


2

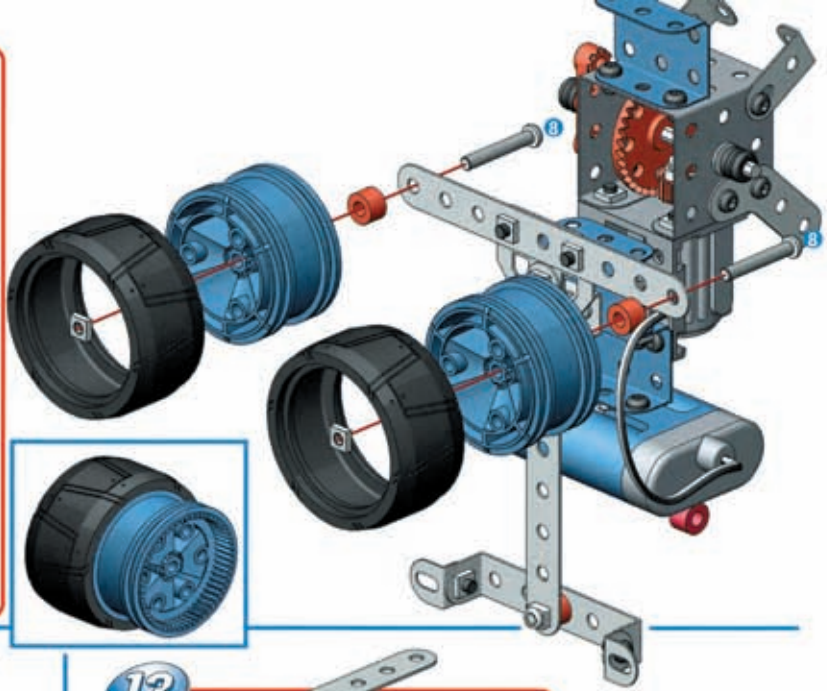




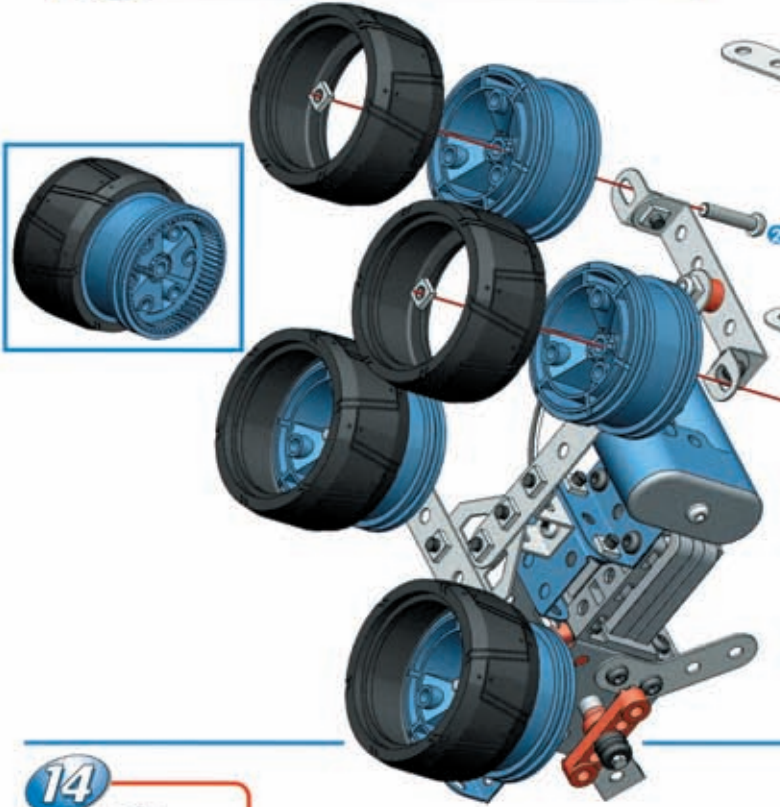
- 10**
- x2
  - 5,8 mm 5/16" x2



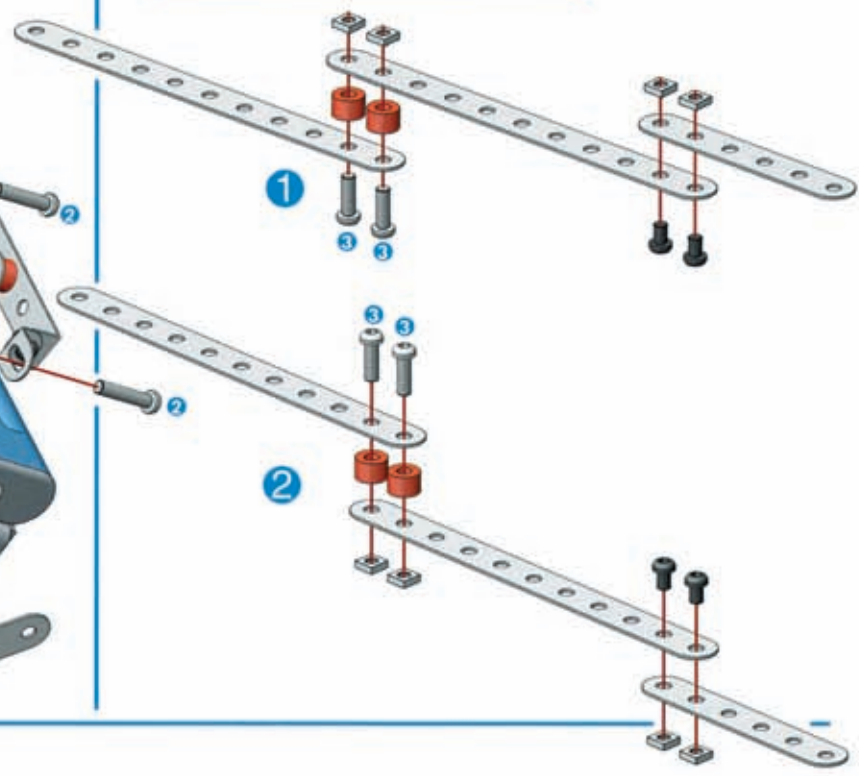
- 11**
- x2
  - x2
  - x2
  - x2
  - x2
  - 8
  - 25,4 mm 1" x2



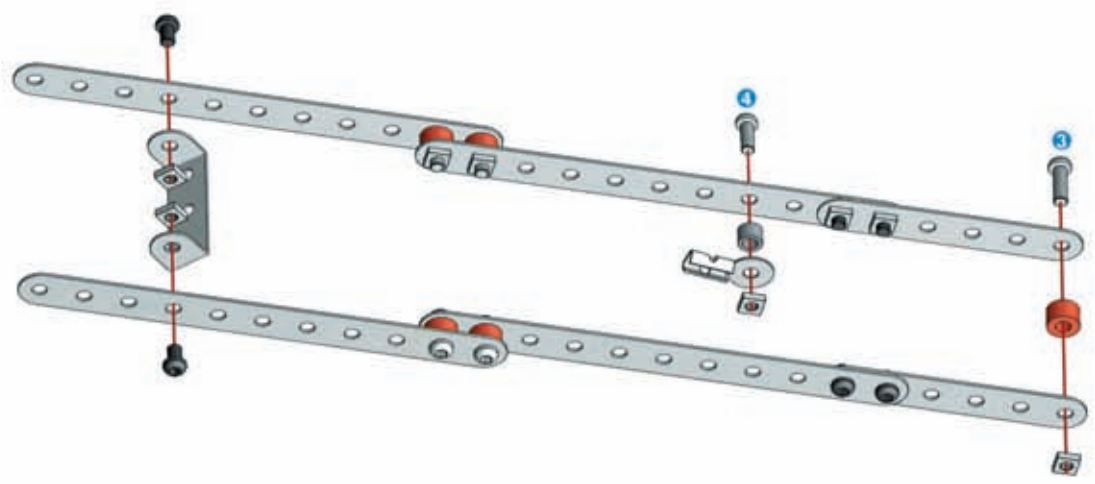
- 12**
- x2
  - x2
  - x2
  - 19 mm 3/4" x2







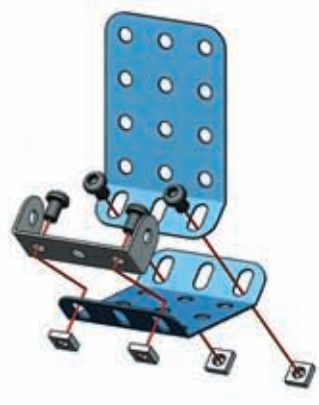
- 13**
- x4
  - x2
  - x4
  - x8
  - 12 mm 1/2" x4
  - 5,8 mm 5/16" x4







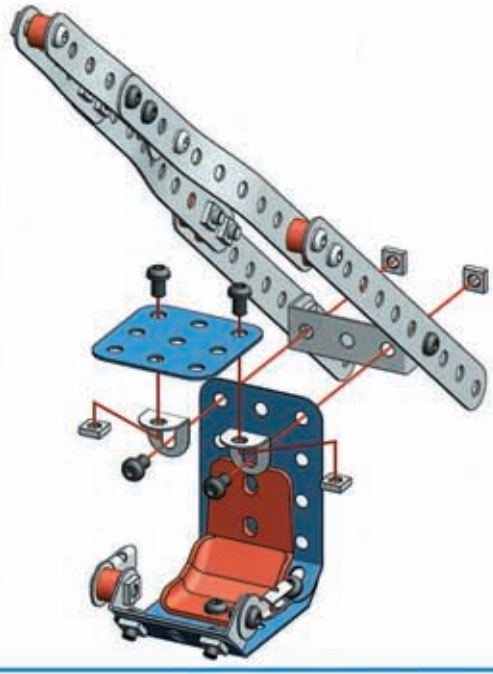
- 14**
- x1
  - x1
  - x1
  - x1
  - x4
  - 12 mm 1/2" x1
  - 9,5 mm 3/8" x1
  - 5,8 mm 5/16" x2

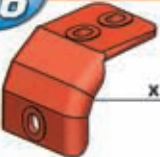








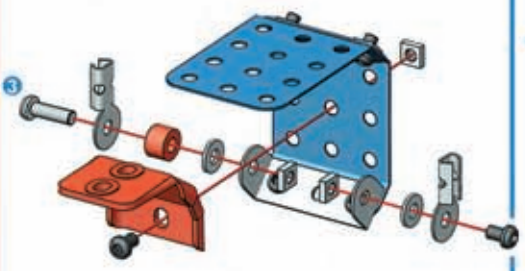
- 15**
-  x1
  -  x1
  -  x1
  -  x4
  -  x4








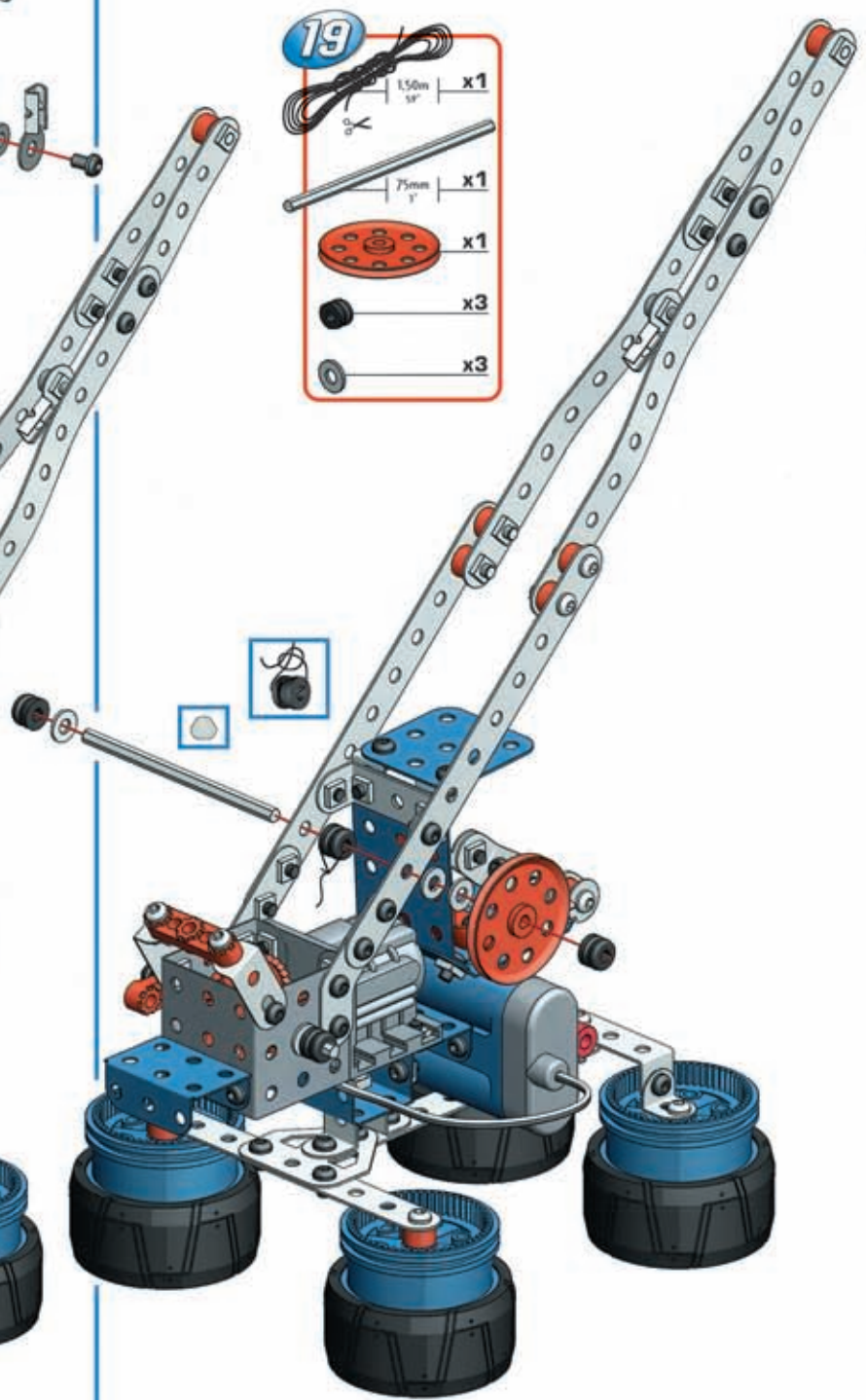
- 17**
-  x1
  -  x2
  -  x4
  -  x4







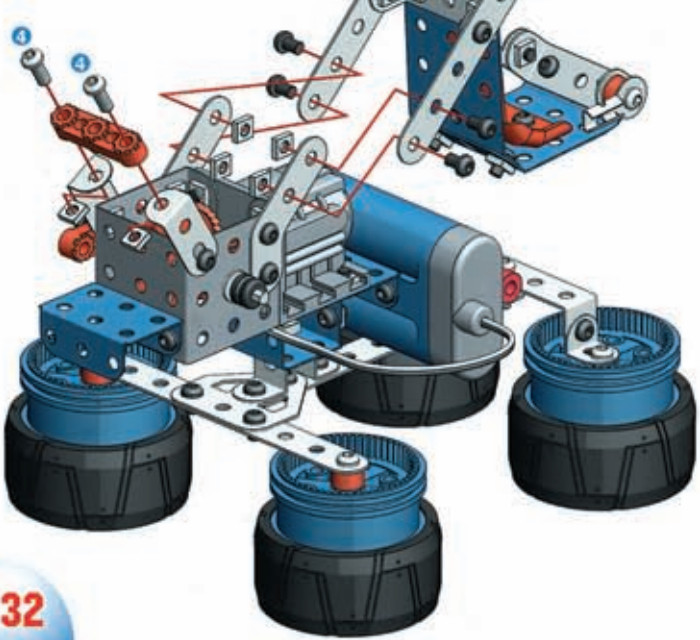
- 16**
-  x1
  -  x2
  -  x1
  -  x2
  -  x3
  -  x1
  -  x2



- 19**
-  x1
  -  x1
  -  x1
  -  x3
  -  x3









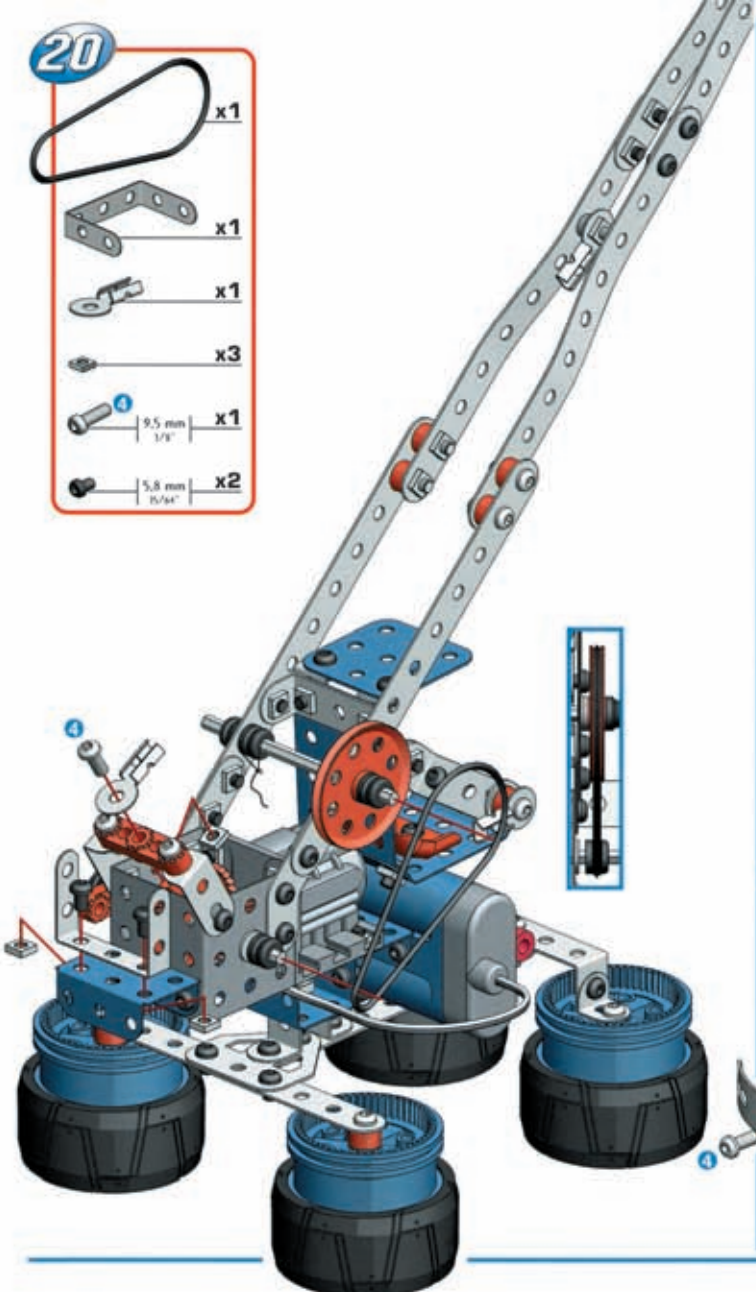
- 18**
-  x1
  -  x6
  -  x2
  -  x4







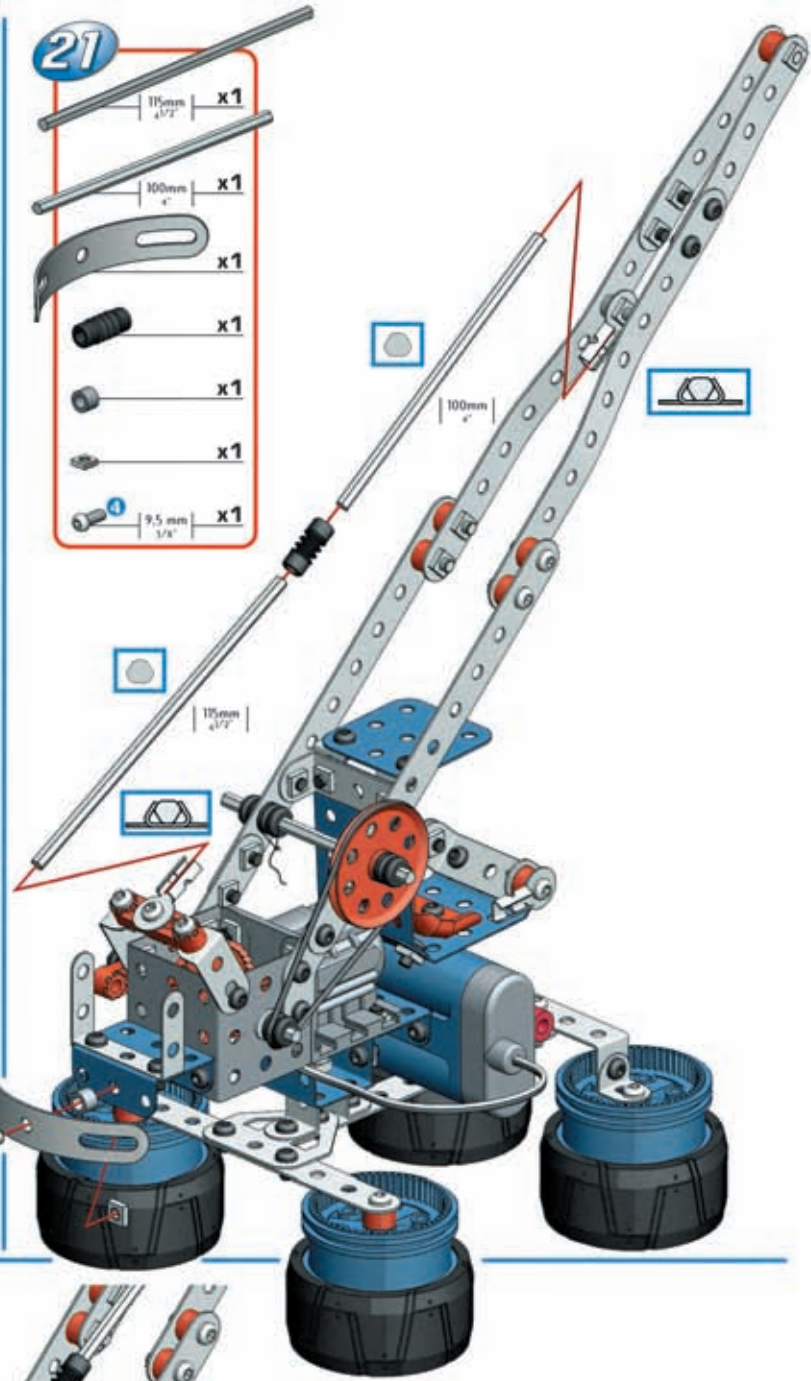
20

-  x1
-  x1
-  x1
-  x3
-  9.5 mm  $\frac{3}{8}$ " x1
-  5.8 mm  $\frac{5}{64}$ " x2

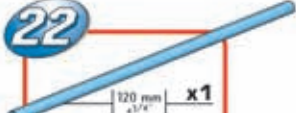







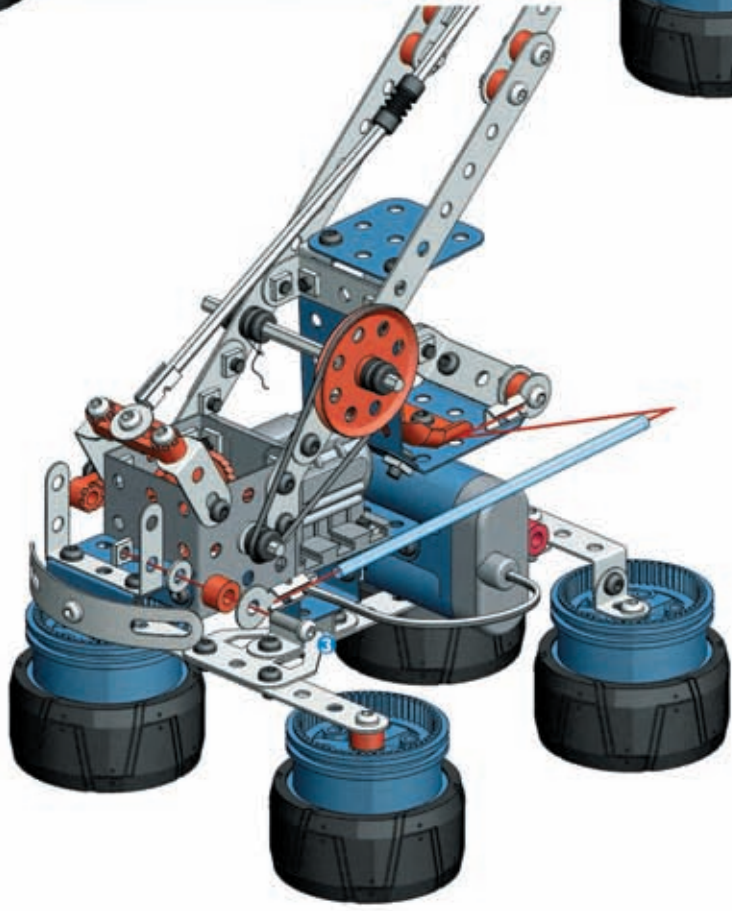
21

-  115 mm  $\frac{4}{7}$ " x1
-  100 mm  $\frac{4}{7}$ " x1
-  x1
-  x1
-  x1
-  x1
-  9.5 mm  $\frac{3}{8}$ " x1

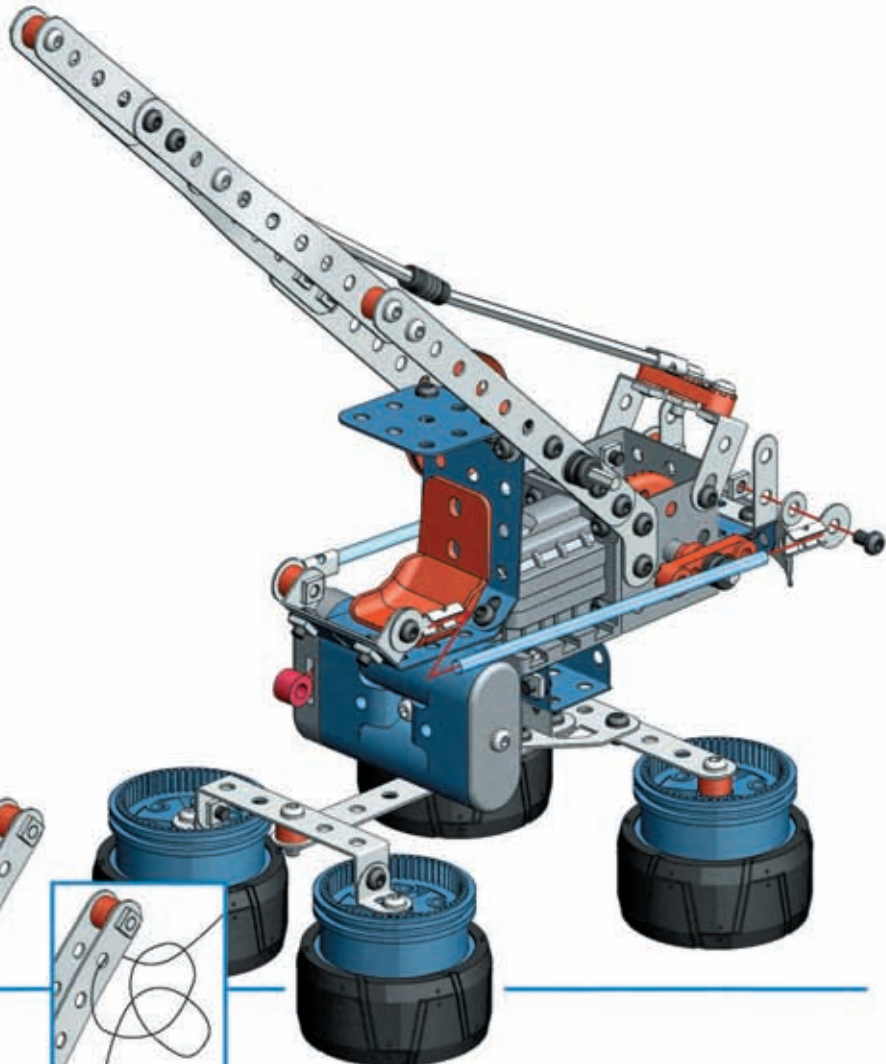
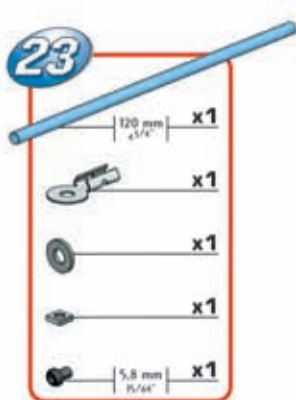


22

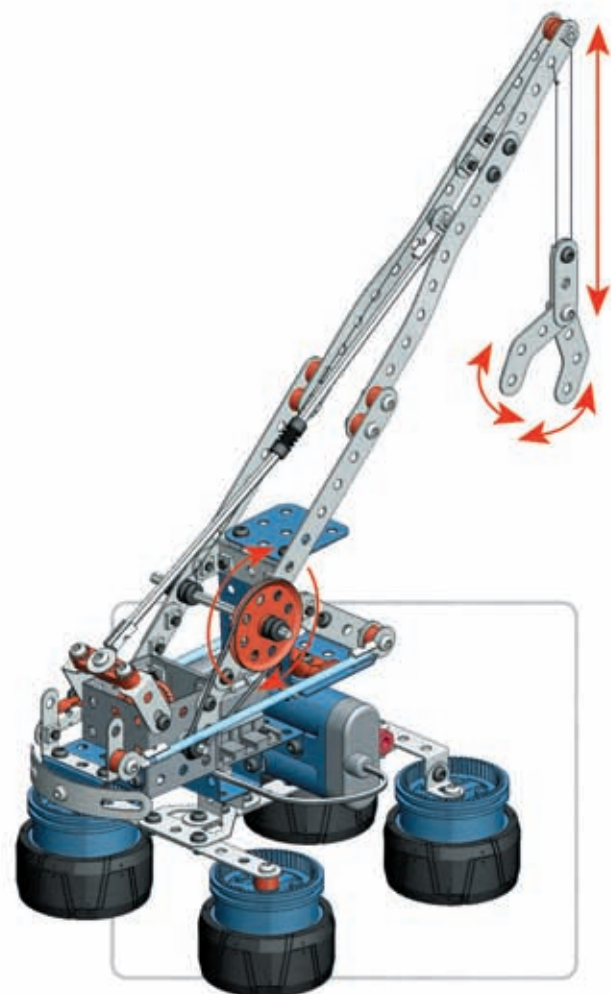
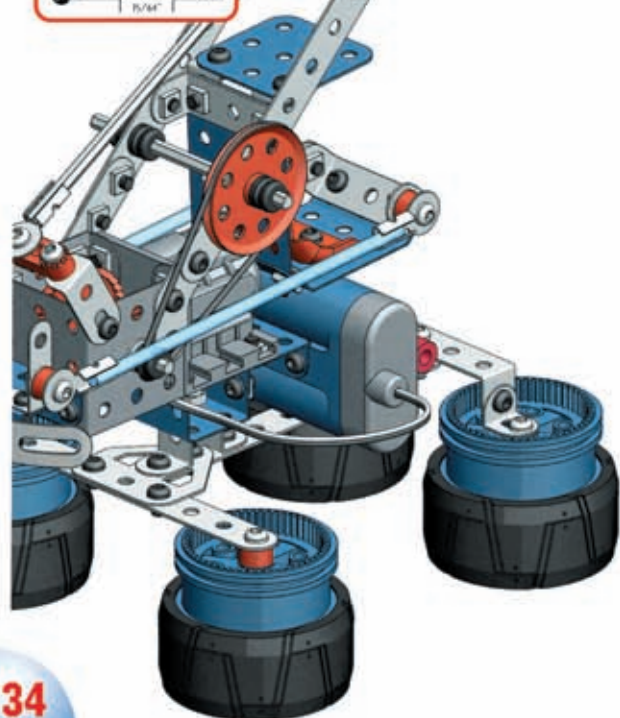
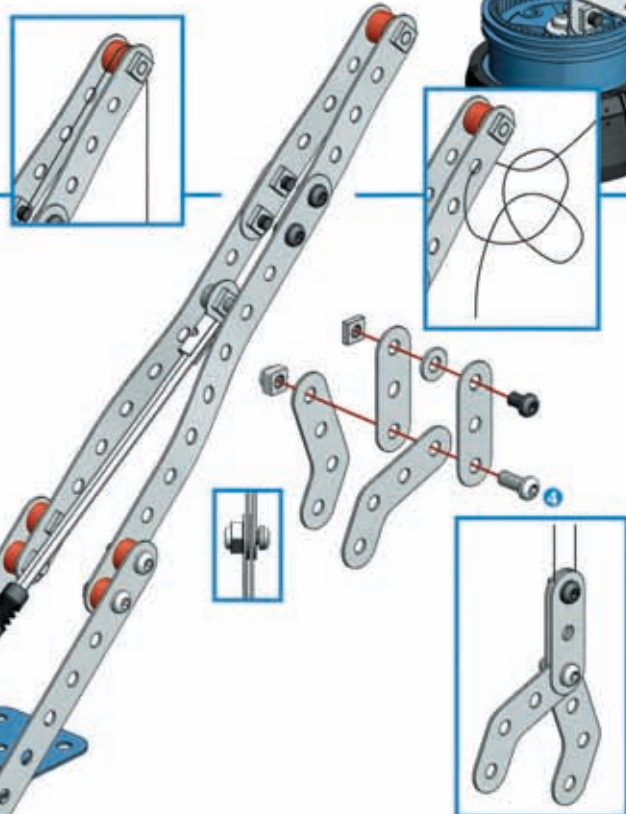
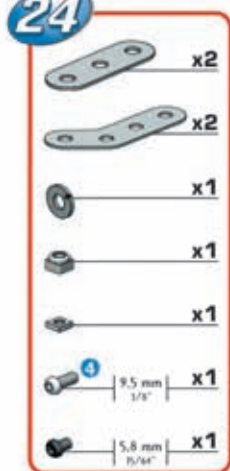
-  120 mm  $\frac{4}{7}$ " x1
-  x1
-  x1
-  x1
-  x1
-  12 mm  $\frac{1}{2}$ " x1



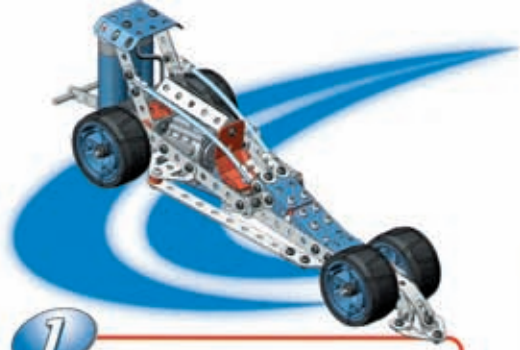
23



24

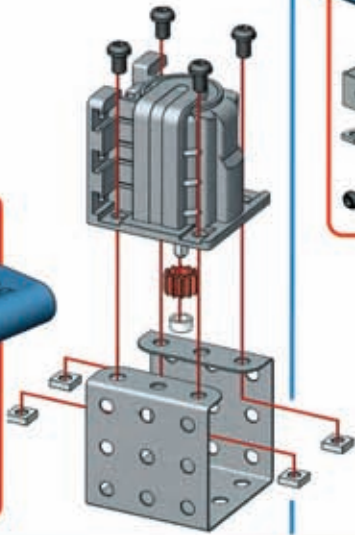


34



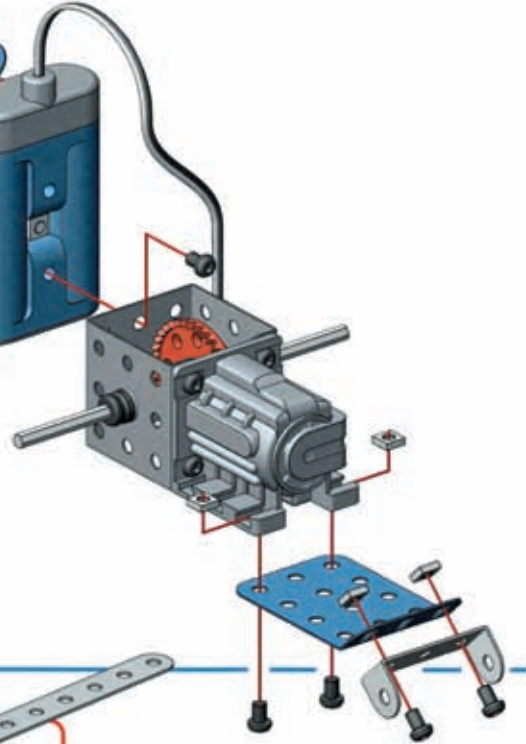
**1**

- x1 [Grey 3-hole Technic beam]
- x1 [Grey 2-hole Technic beam]
- x4 [Grey 1-hole Technic pins]
- x1 [Grey 1-hole Technic pin]
- x4 [Grey 5.8 mm 1/4" Technic pins]
- x1 [Grey 1-hole Technic pin]



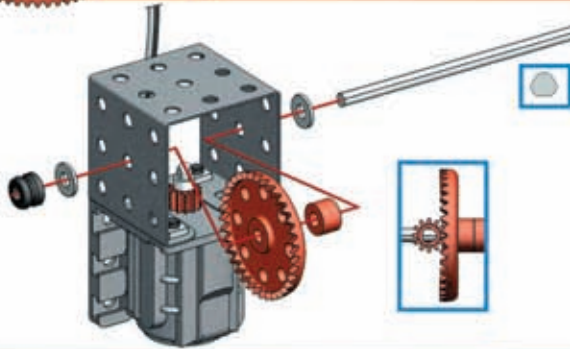
**3**

- x1 [Blue 3-hole Technic plate]
- x1 [Blue L-shaped Technic bracket]
- x4 [Grey 1-hole Technic pins]
- x5 [Grey 5.8 mm 1/4" Technic pins]



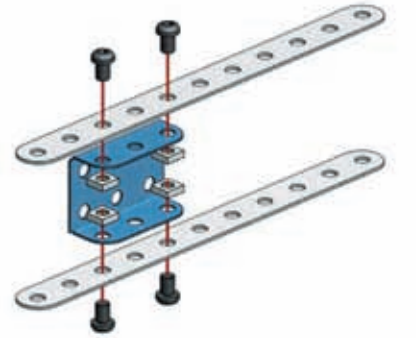
**2**

- x1 [Grey 115 mm 4/2" Technic axle]
- x2 [Grey 1-hole Technic pins]
- x2 [Black 1-hole Technic pins]
- x1 [Red 24-tooth Technic gear]
- x1 [Red 1-hole Technic pin]



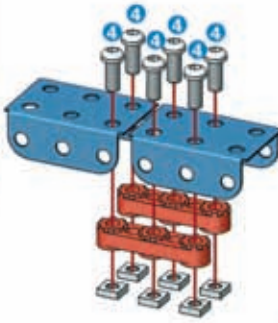
**4**

- x2 [Grey 115 mm 4/2" Technic axle]
- x1 [Blue L-shaped Technic bracket]
- x4 [Grey 1-hole Technic pins]
- x4 [Grey 5.8 mm 1/4" Technic pins]



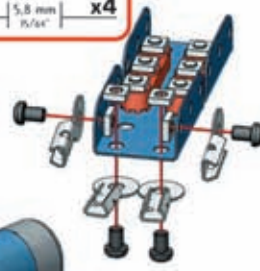
**5**

- x2 [Blue L-shaped Technic bracket]
- x2 [Red Technic axle connector]
- x6 [Grey 1-hole Technic pins]
- x6 [Grey 9.5 mm 1/3" Technic pins]



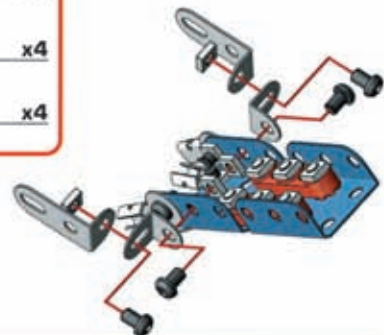
**6**

- x4 [Grey 1-hole Technic pins]
- x4 [Grey 1-hole Technic pins]
- x4 [Grey 5.8 mm 1/4" Technic pins]



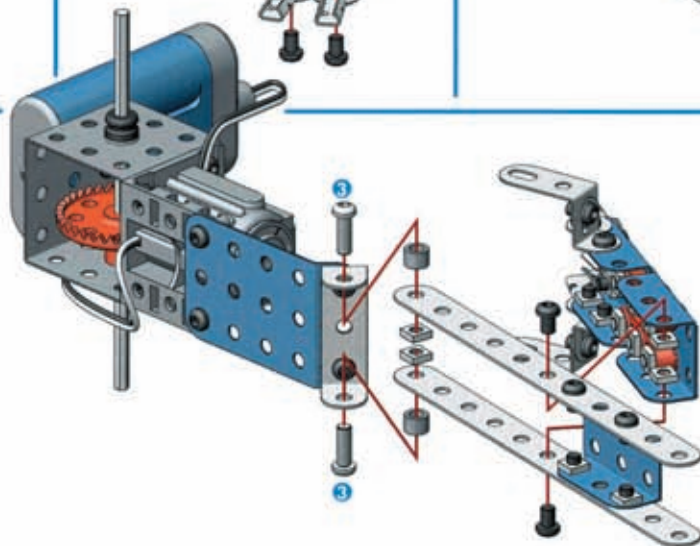
**7**

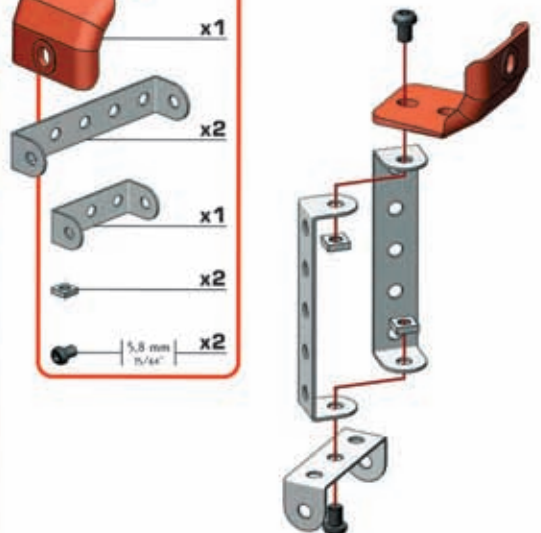
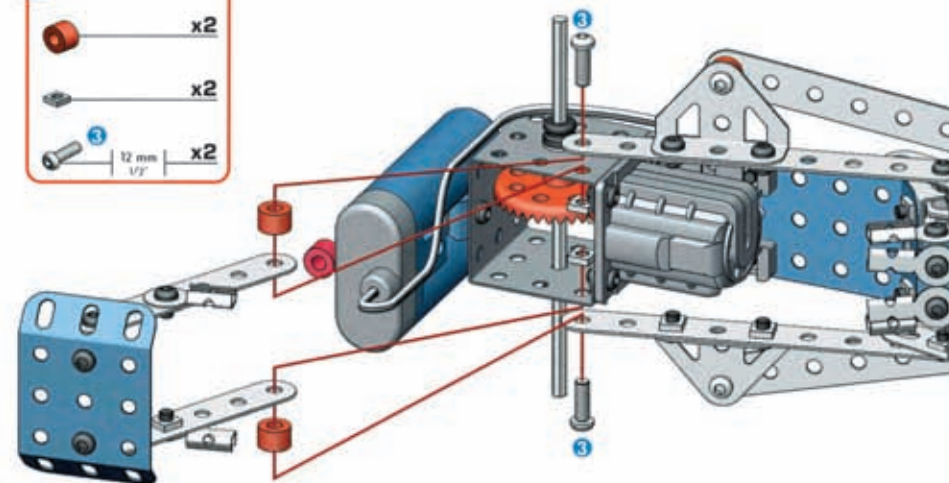
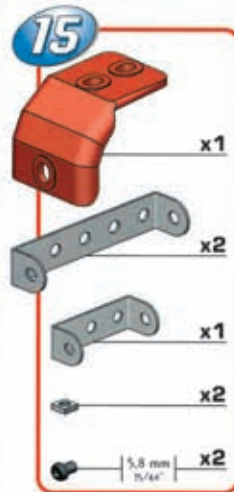
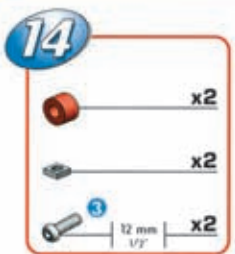
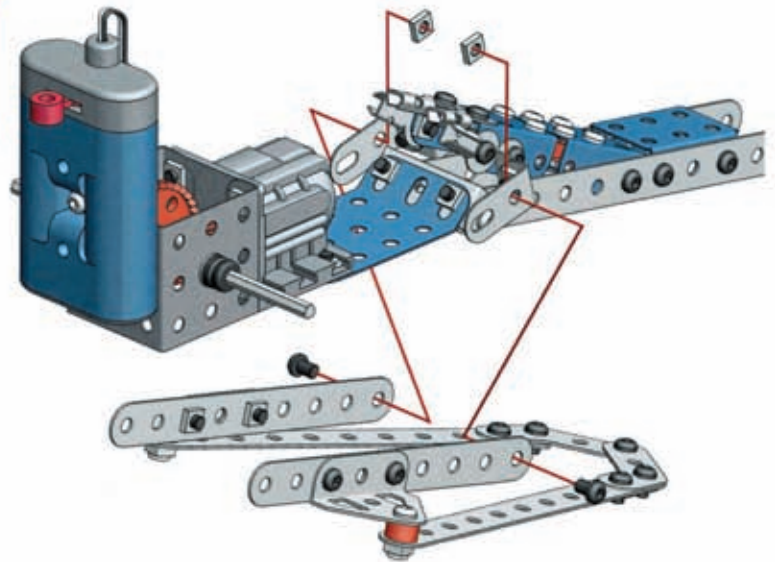
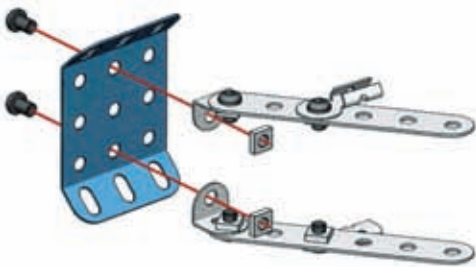
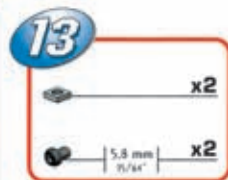
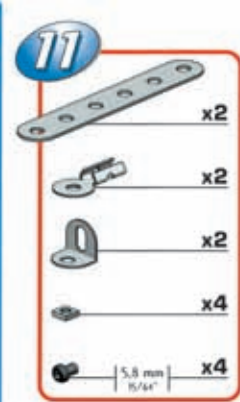
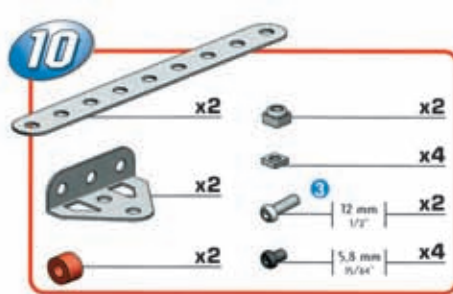
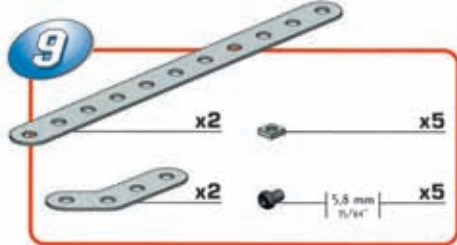
- x2 [Blue L-shaped Technic bracket]
- x2 [Grey 1-hole Technic pins]
- x4 [Grey 1-hole Technic pins]
- x4 [Grey 5.8 mm 1/4" Technic pins]







**8**

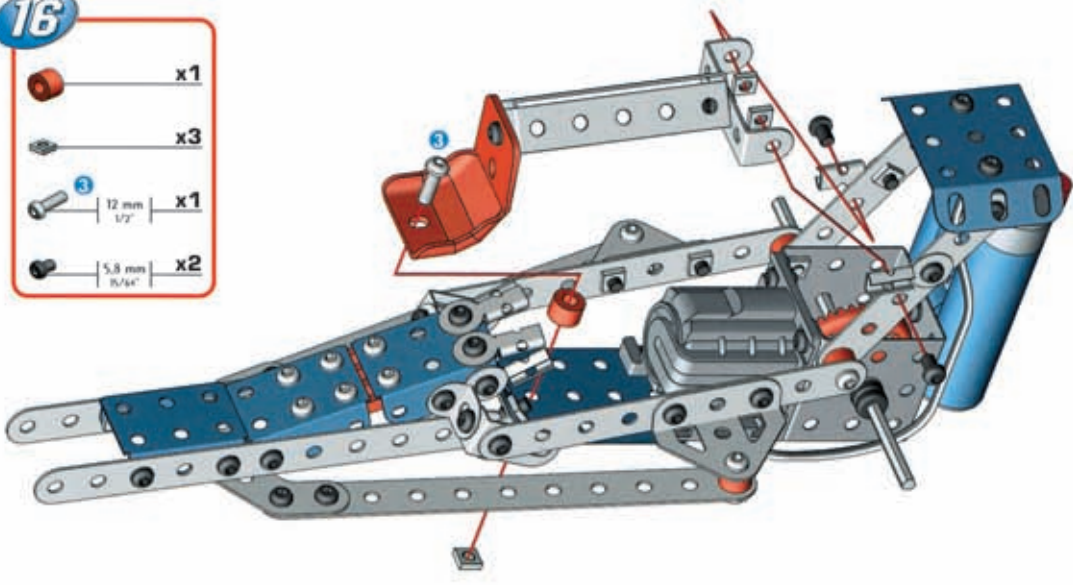
- x2 [Grey 1-hole Technic pins]
- x4 [Grey 1-hole Technic pins]
- x2 [Grey 12 mm 1/2" Technic pins]
- x2 [Grey 5.8 mm 1/4" Technic pins]









16

-  x1
-  x3
-  12 mm 1/2" x1
-  5.8 mm 5/16" x2






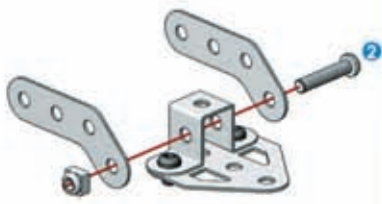
17

-  x1
-  x1
-  x2
-  5.8 mm 5/16" x2







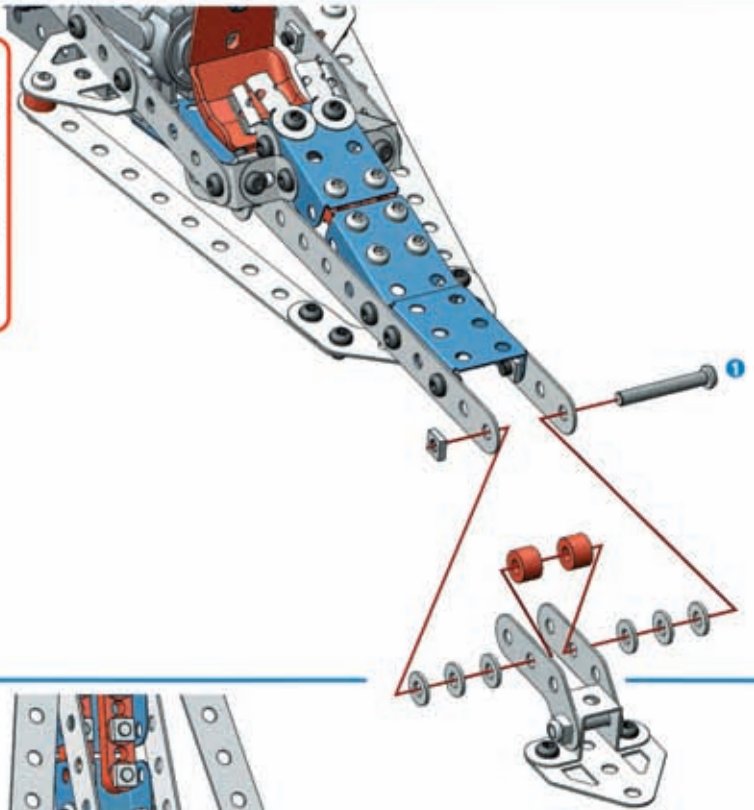
18

-  x2
-  x1
-  19 mm 3/4" x1






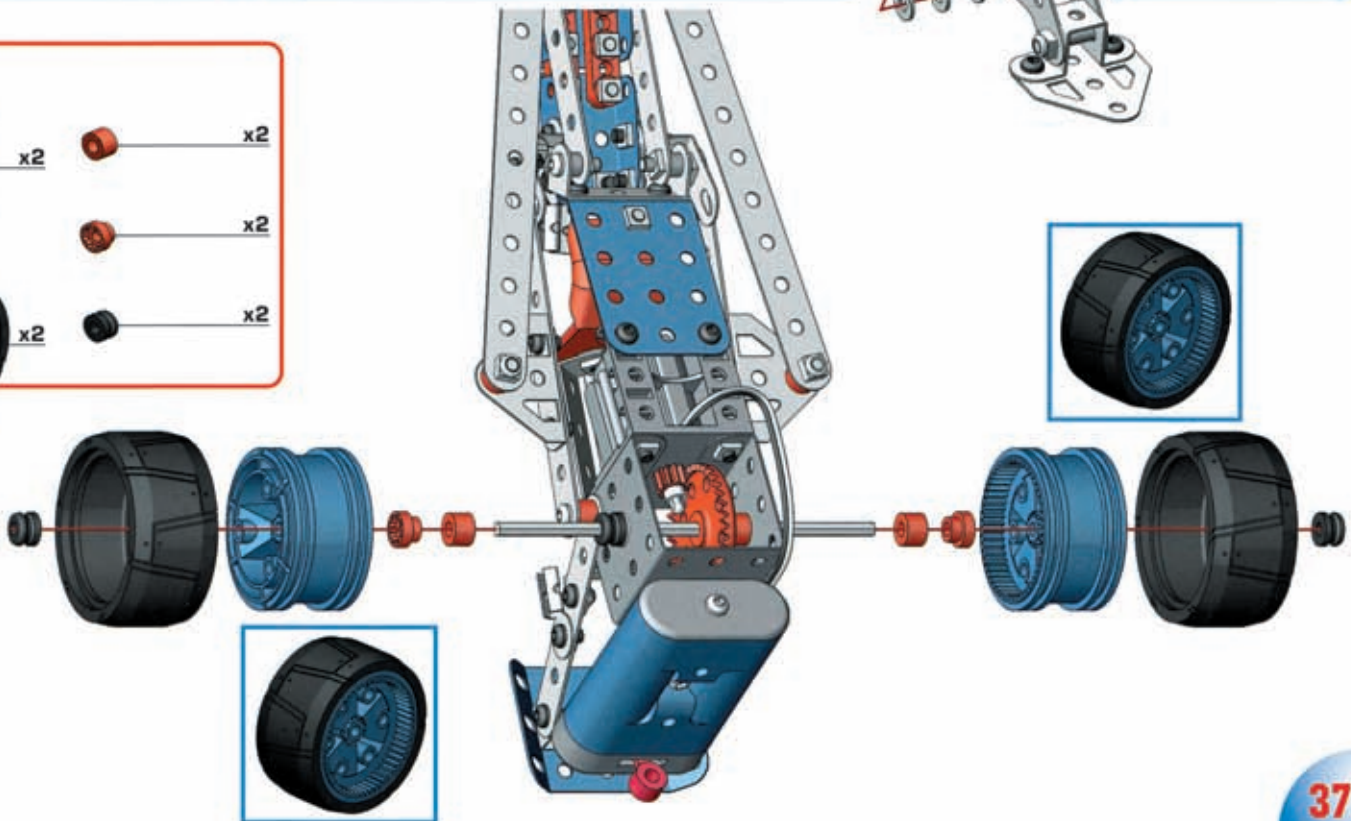
19

-  x2
-  x6
-  x1
-  25 mm 1" x1

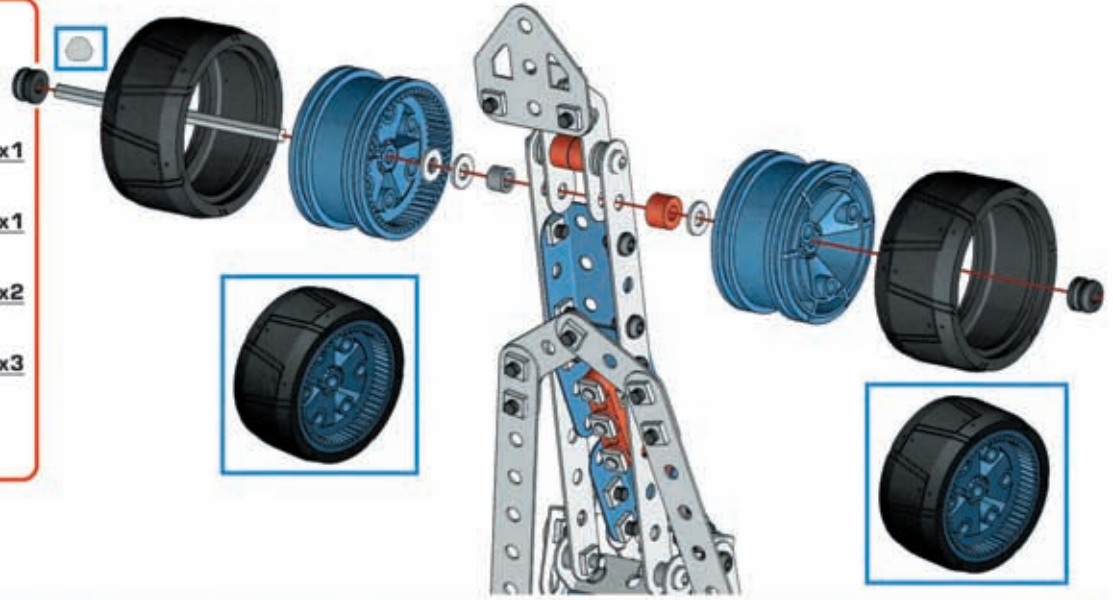
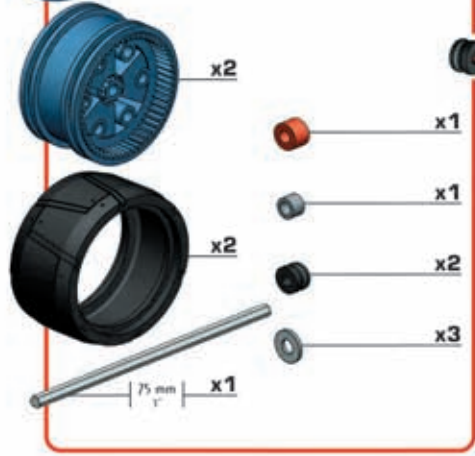


20

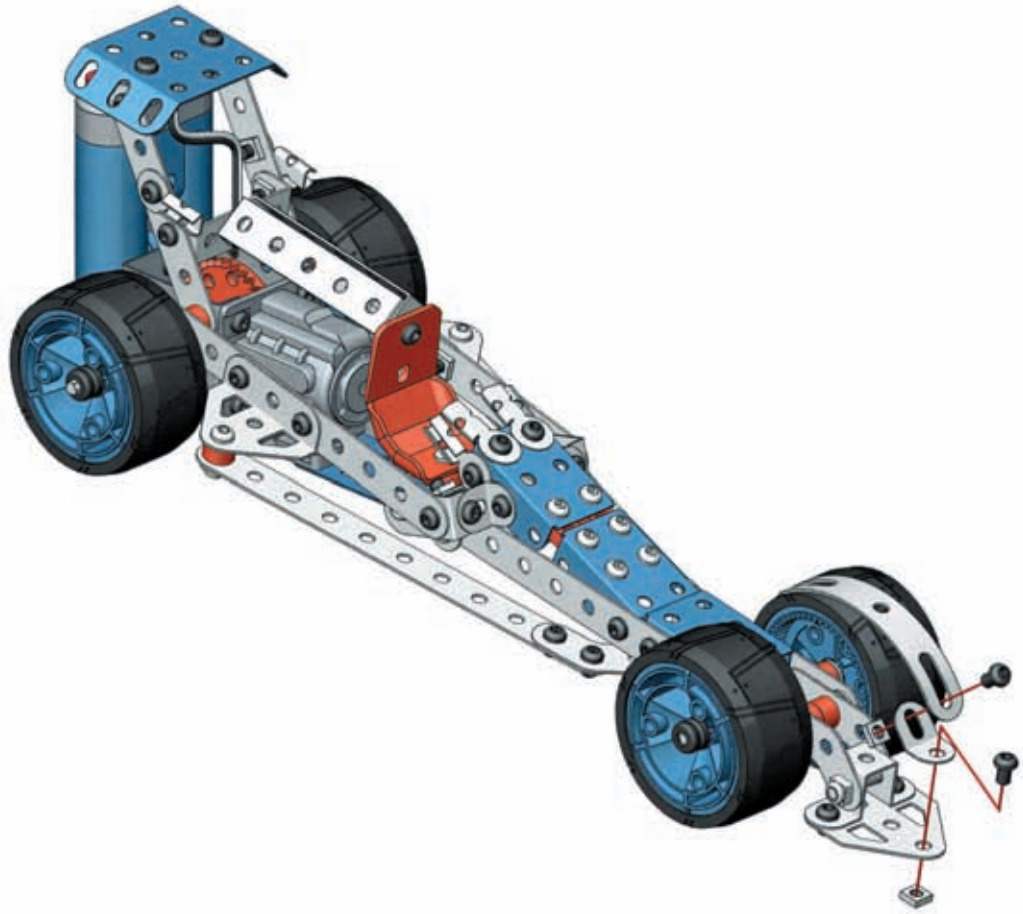
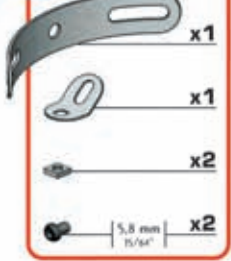
-  x2
-  x2
-  x2
-  x2
-  x2



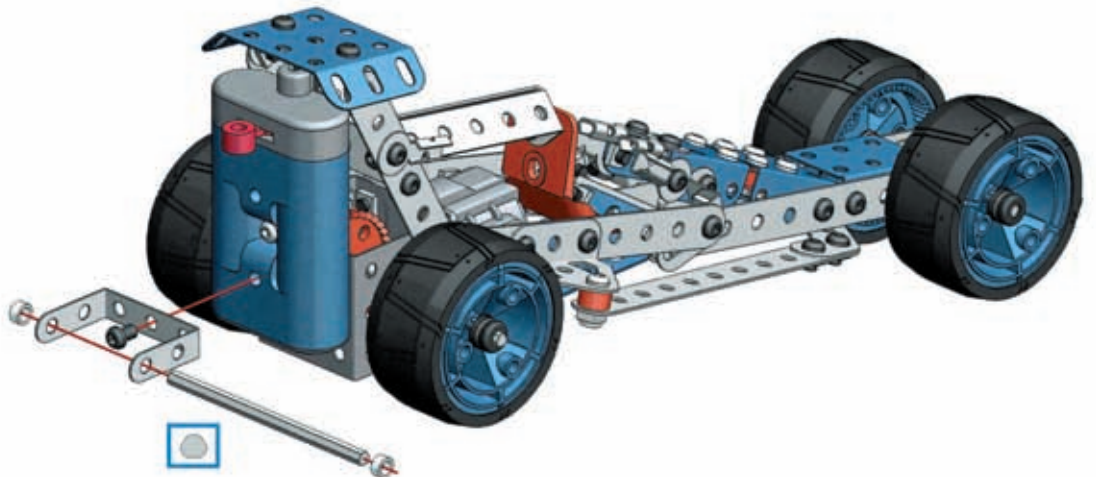
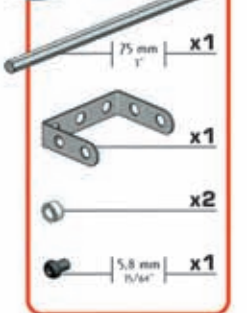
21



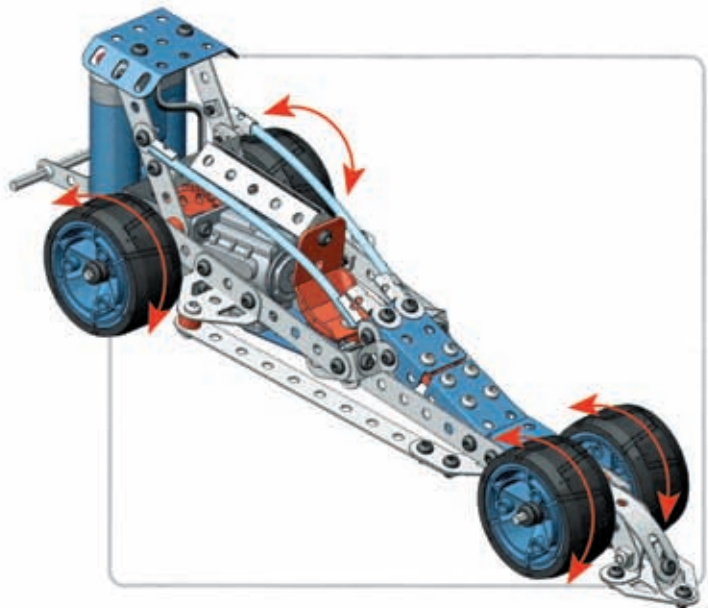
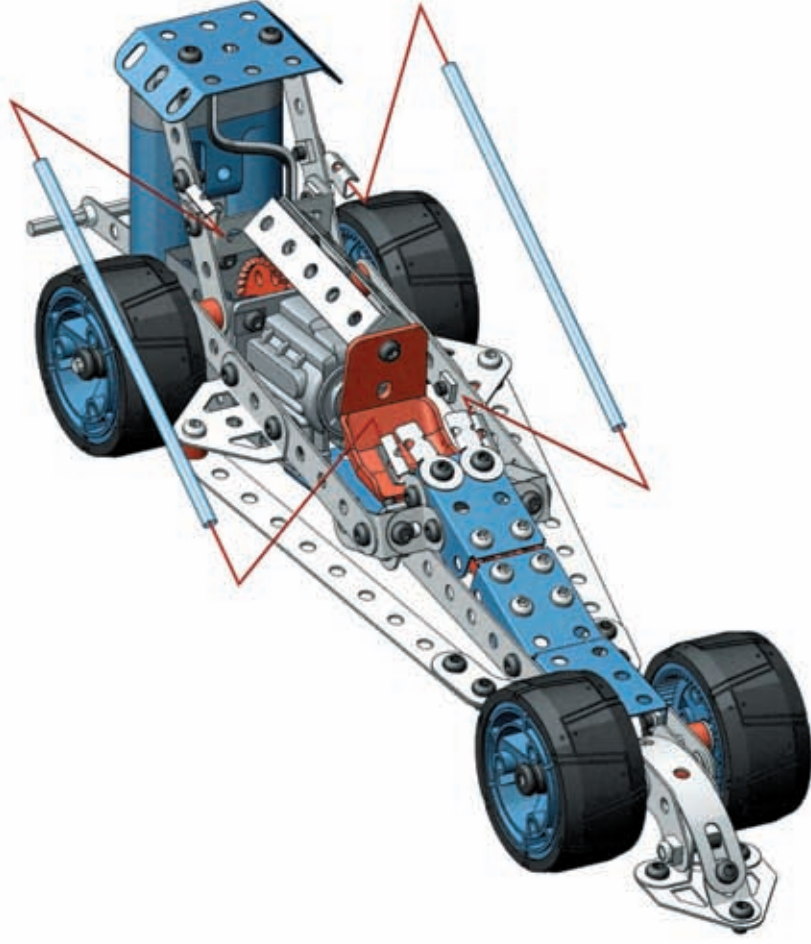
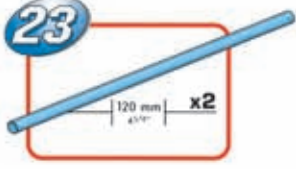
22

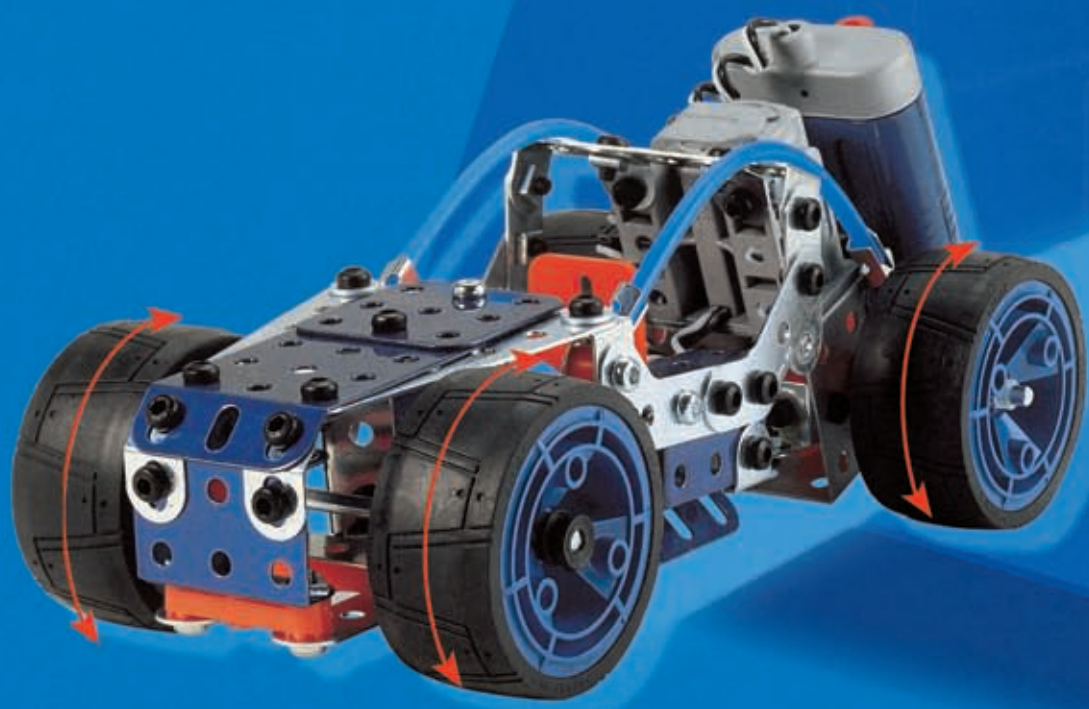
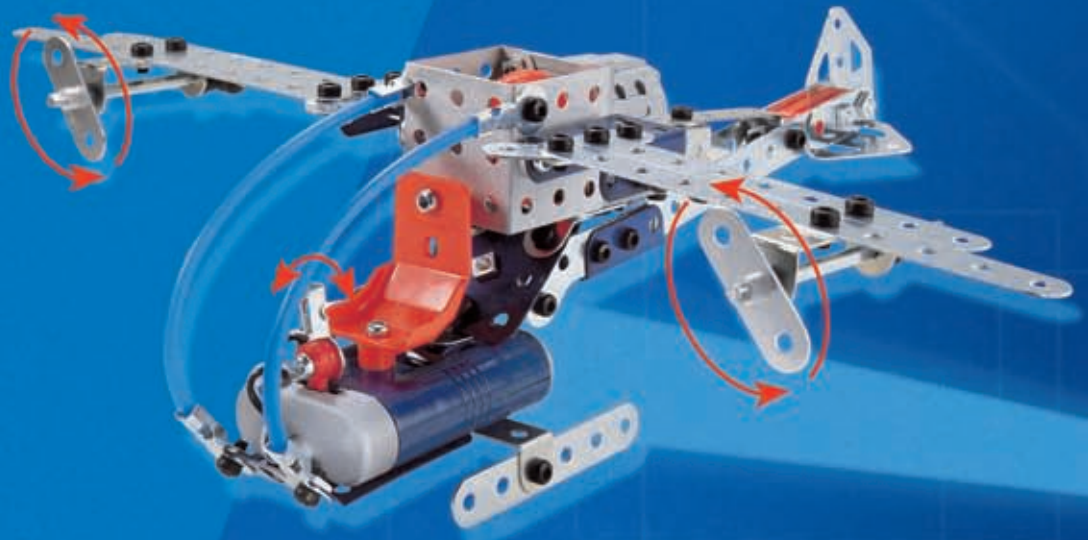


23

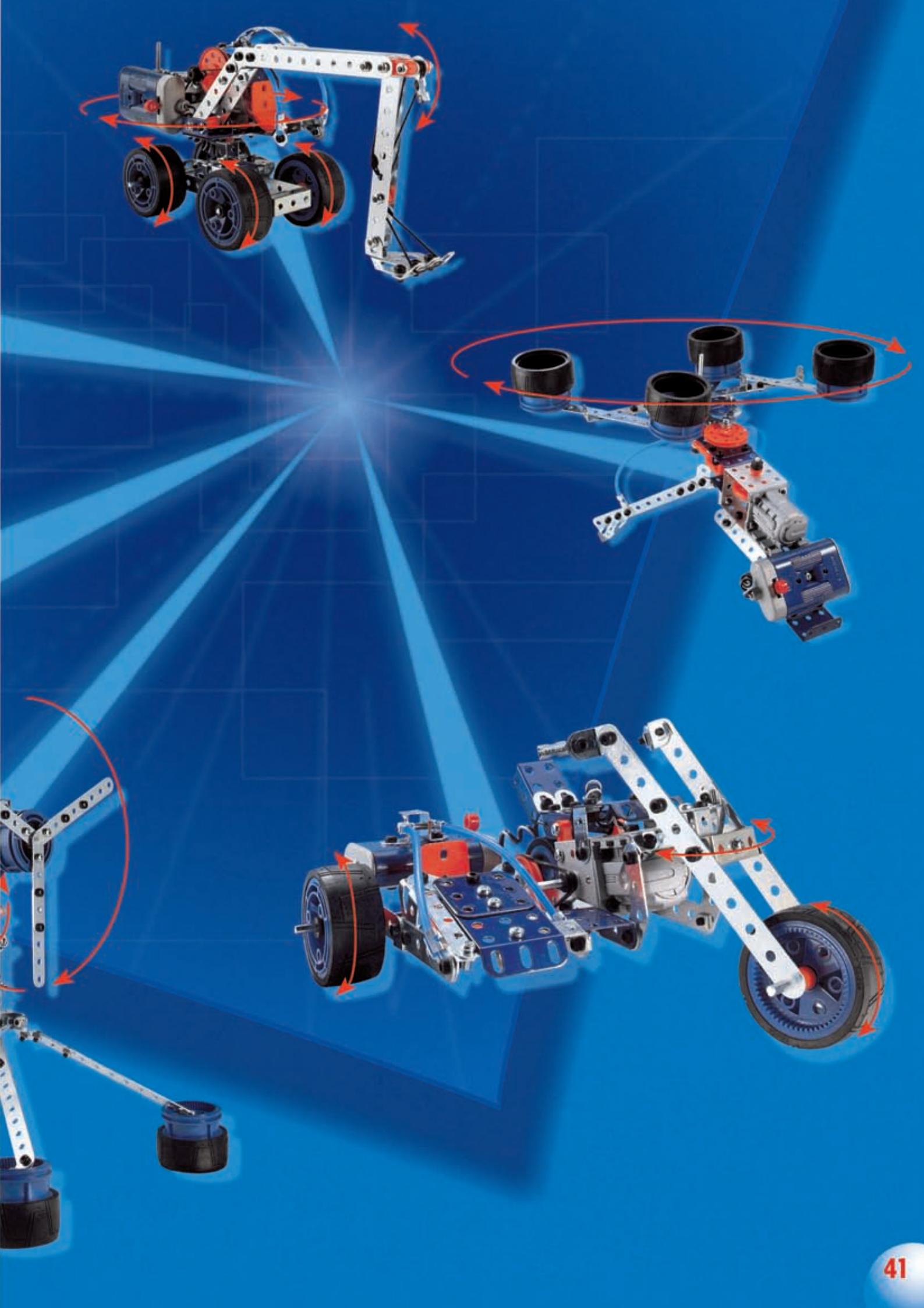


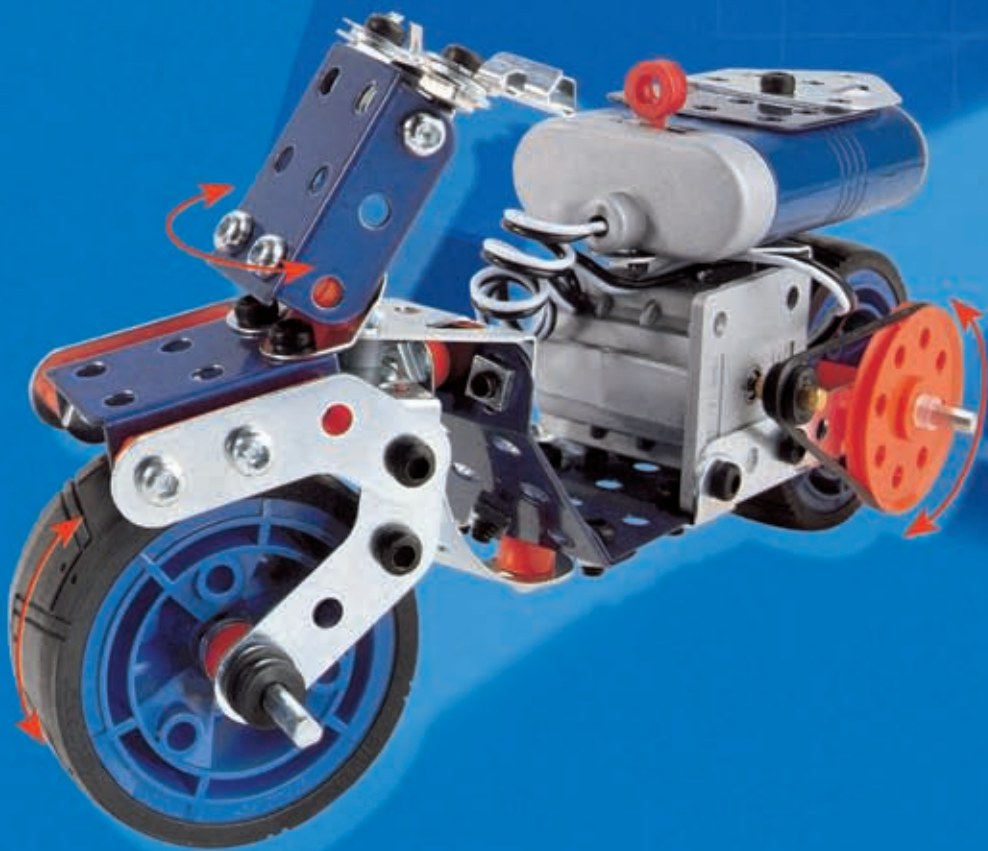
23













**GB** : Many of the models and component parts are unique and original designs which are the property of MECCANO S.N. They are protected by national legislation as industrial designs, trademarks and/or copyrights throughout many countries. For detailed information, please contact MECCANO S.N. MECCANO S.N. accepts no responsibility for (I) failure to follow instructions (II) use for any purpose other than as specified in the instructions (III) any alteration of any parts or components. MECCANO S.N. respects children's safety: all models are tested by children.

**F** : De nombreux modèles et pièces sont des créations originales, propriétés de MECCANO S.N. et sont protégés par les législations nationales sur les dessins et modèles, marques et/ou droits d'auteurs. Pour toute information, merci de contacter : MECCANO S.N. La responsabilité de MECCANO S.N. ne saurait être engagée en cas d'accident survenu à la suite (I) du non respect des instructions de montage (II) d'une utilisation des pièces autre que celle proposée dans la notice (III) d'une altération ou de la modification des pièces. La société MECCANO respecte la sécurité des enfants : ses modèles sont testés par des enfants.

**D** : Zahlreiche Modelle und Teile sind Erfindungen und Eigentum der Firma MECCANO S.N. Sie sind durch Inland-Gesetze über Zeichnungen und Modelle sowie Warenzeichen und/oder Urheberrechte geschützt. Für zusätzliche Auskünfte wenden Sie sich bitte an : MECCANO S.N. Die Firma MECCANO S.N. haftet nicht für Unfälle, die aus der (I) Nichtbefolgung der Bauanleitung, der (II) Verwendung anderer als in der Bauanleitung angegebenen Teile oder der (III) Änderung oder Modifikation der Teile resultieren. Alle Modelle der Firma MECCANO S.N. wurden von Kindern getestet und entsprechen den Sicherheitsnormen.

**I** : Numerosi modelli e pezzi sono creazioni originali della MECCANO S.N. e sono protetti dalle legislazioni nazionali sui disegni e modelli, marche e/o diritti d'autore. Per qualsiasi informazione, vogliate prendere contatto con: MECCANO S.N. MECCANO S.N. declina ogni responsabilità in caso d'incidenti sopravvenuti in seguito a: (I) non rispetto delle istruzioni di montaggio (II) utilizzo dei pezzi per funzioni diverse da quelle previste nel manuale (III) alterazione e/o modifica dei pezzi. La società MECCANO rispetta la sicurezza dei bambini: i suoi modelli vengono testati dai bambini stessi.

**E** : Numerosos modelos y piezas son creaciones originales, propiedades de MECCANO S.N. y están protegidos por las legislaciones nacionales en lo que concierne a los dibujos y modelos, marcas y/o derechos de autor. Para cualquier información, sírvase ponerse en contacto con: MECCANO S.N. MECCANO S.N. carece de responsabilidad en caso de accidente debido a: (I) el incumplimiento de las instrucciones de montaje (II) una utilización de las piezas diferente a la que se indica en las instrucciones (III) una alteración o modificación de las piezas. La sociedad MECCANO respeta la seguridad de los niños: sus modelos están probados por niños.

**P** : Vários modelos e peças são criações originais, propriedades da MECCANO S.N. e são protegidos pelas legislações nacionais relativas aos desenhos e modelos, às marcas e/ou aos direitos de autor. Para qualquer informação, é favor contactar : MECCANO S.N. A Sociedade MECCANO S.N. não poderá ser responsabilizada pelos acidentes provocados: (I) pela falta de cumprimento das instruções de montagem (II) pelo uso indevido das peças ou (III) pela modificação ou alteração das peças. A Sociedade MECCANO respeita a segurança das crianças: os seus modelos foram testados por crianças.

**S** : Många modeller och delar bildar en unik och original formgivning vilken är MECCANO S.N. egendom. Dessa modeller och delar är skyddade genom lagstiftning såsom industriell formgivning, varumärke och/eller upphovsmannarätt i ett flertal länder. För mer detaljerad information, var vänlig och kontakta MECCANO S.N. MECCANO S.N. frångår sig allt ansvar i händelse av olycka till följd av (I) att monteringsinstruktionerna inte har respekterats (II) en annan användning av delarna än den som står i anvisningen (III) en förvanskning eller förändring av delarna. Företaget MECCANO respekterar barnsäkerheten: modellerna har testats av barn.

**FIN** : Vore mange modeller og dele er originale fremstillinger og ejes af MECCANO S.N. Tegninger, modeller, fabrikationsmærker og ophavsret er lovbeskyttede i hvert land. Yderligere oplysninger kan fås hos: MECCANO S.N. MECCANO S.N. ei vastaa ei kata seuraavista syistä sattuneita onnettomuuksia: (1) ohjeiden vastainen kokoaminen, (2) muiden kuin ohjeessa ehdotettujen osien käyttö, (3) osien vaihto tai muuntelu. MECCANO-yhtiö huolehtii lasten turvallisuudesta: lapset ovat testanneet mallimme.

**DK** : Useat mallit ja osat ovat MECCANO S.N.:n omaisuutta olevaa suunnittelua. Useat mallit ja niiden osat ovat lailla suojattua teollista tuotantoa, tavaramerkkejä ja/tai kopiointioikeuksia useissa maissa. Tuotemerkki MECCANO. Säfremt der sker uheld forårsaget af (I) at monteringsinstruktionerne ikke er blevet overholdt, (II) at delene er blevet brugt til andre formål, end dem der er beskrevet i betjeningsvejledningen, (III) eller at delene er blevet beskadiget eller ændret, frasiger MECCANO S.N. sig ethvert ansvar for dette. MECCANO overholder sikkerhedsreglerne for børn: alle modeller testes af børn.

**NL** : Veel modellen en onderdelen zijn originele ontwerpen en eigendom van MECCANO S.N. en worden beschermd door de nationale wetgeving op tekeningen en modellen, merken en/of auteursrechten. Voor informatie gelieve contact op te nemen met MECCANO S.N. De verantwoordelijkheid van MECCANO S.N. is uitgesloten in geval van ongevallen voortvloeiend uit het niet naleven van de montage-instructies (I), uit het gebruik van andere onderdelen dan die zoals vermeld in de handleiding (II) of uit het veranderen of modificeren van de onderdelen (III). De firma MECCANO neemt de veiligheid van de kinderen in acht : de modellen zijn door kinderen getest.

**GR** : Πολλά μοντέλα και ανταλλακτικά είναι αυθεντικά, ιδιοκτησία της MECCANO S.N. και προστατεύονται από τις εθνικές νομοθεσίες για τα μοντέλα της μάρκας ή τα δικαιώματα ευρεσιτεχνίας. Για κάθε πληροφορία, παρακαλώ απευθυνθείτε στη MECCANO S.N. Η ευθύνη της MECCANO S.N. δεν διαρκεί σε περίπτωση ατυχήματος που έγινε συνεχώς (I) μη σεβασμού των οδηγιών συναρμολόγησης (II) χρήσης των τμημάτων διαφορετικά από αυτήν που προτείνεται στις οδηγίες (III) καταστροφή ή αλλαγή των τμημάτων.

**JPN** : モデルならびに部品は、その多くが MECCANO 社所有のオリジナル・デザインで、設計・発想およびまたは著作権に関する国内法によって保護されています。詳細については、当社 (MECCANO S.N.) メカボ社は、昔製品の注意事項を守らなかった場合、同使用説明書に記載されたもの以外の部品を使用した場合、同部品を改造・改造した場合などに起きた事故については責任を負うことはできません。メカボ社の全モデルは事前に子供たちによりテストを行い、その安全性を確認されています。

**USA** : Many models and component parts incorporate original designs which are the property of MECCANO S.N. and are protected as design and/or utility patent and/or copyrights. For detailed information, please contact MECCANO S.N. Instruction booklets are solely to assist in construction of sets. MECCANO S.N. shall have no responsibility for: 1. Failure to follow instructions. 2. Use of parts for any purpose other than as specified in the instruction booklets. 3. Any alteration of any parts or components. MECCANO S.N. values children's safety: all models are tested accordingly. All models are tested by and developed in conjunction with children.

Made in France by:  
Fabriqué en France par :  
Hecho en francia :



© 05/2001 MECCANO S.N. 363, avenue de Saint Exupéry - F 62100 CALAIS  
MECCANO®, MECCANO MOTION SYSTEM®, ERECTOR® and ERECTOR MOTION SYSTEM™  
are exclusive trademarks of MECCANO S.N. - All rights reserved

Consumer service / Service consommateurs / Verbaucher Service :  
<http://www.meccano.com>