

Instructions
Notice de montage
Bauanleitung
Istruzioni di montaggio
Instrucciones de montaje
Instruções de montagem
Monteringsanvisning
Kokoamisohje
Monteringsinstruktioner
Montageanleitung
Οδηγίες συναρμολόγησης.
Инструкция

EVOLUTION

9+

8200



- FR Merci d'imprimer à échelle 1 sans les marges de l'imprimante.
- GB Please print at scale 1 without the printer margins.
- D Den Maßstab 1 bitte randlos drucken.
- IT Stampare la scala 1 senza i margini della stampante.
- E Imprimir a escala 1 sin los márgenes de la impresora.
- P É favor imprimir escala 1 sem as margens da impressora.
- S Skriv ut i skala 1 utan skrivarens marginaler.
- FIN Portaiden painatuksen jälkeen reunat eivät saa näkyä.
- DK Udskriv venligst i målestoksforhold 1 uden printermarginer.
- NL É favor imprimir escala 1 sem as margens da impressora.
- GR Σας παρακαλώ τυπώστε την κλίμακα 1 μέσα στα περιθώρια του εκτυπωτή.
- R Пожалуйста, печатайте в масштабе 1:1 без отступов от края.






























CONSTRUCTION TIPS
 LES ASTUCES DE CONSTRUCTION
 KONSTRUKTIJONS-TIPPS
 LE ASTUZIE DELLA COSTRUZIONE
 LOS INGENIOS DE LA CONSTRUCCIÓN
 DICAS PARA A MONTAGEM
 KOKOONPANON KIKAT
 BYGGKNEPEN
 ET PAR TIPS TIL BYGGARBEJDET
 DE FJINE KNEEPJES VAN HET BOUWEN
 Τα έξυπνα κόλπα κατασκευής
 рекомендации по сборке

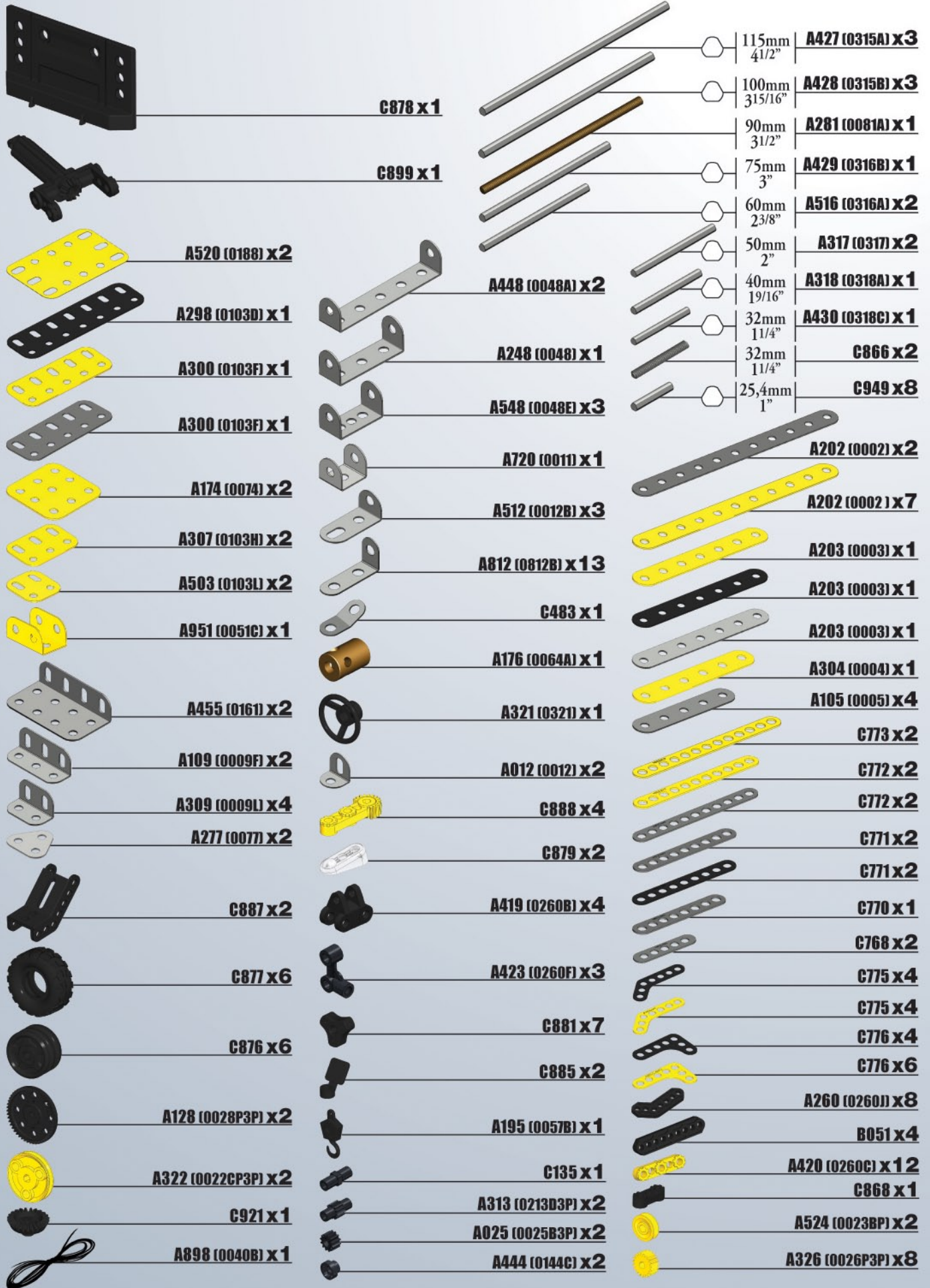
1

2

3

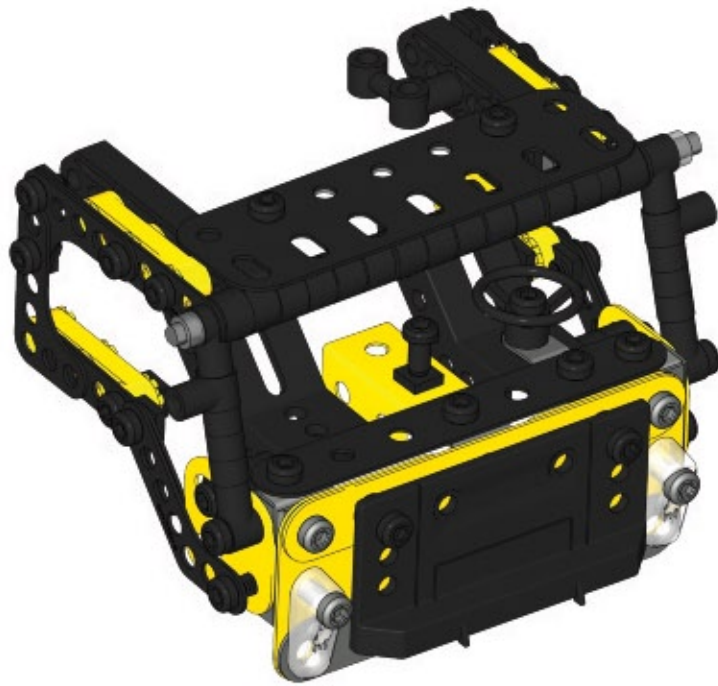
4

 S6 28mm 1 1/8" A611 (0111D) x3	 S3 12mm 1/2" A411 (0111A) x10	 A623 (0023C3P) x1
 B3 23mm 15/16" A347 (0147G) x6	 S3 12mm 1/2" A411 (0111A) x12	 C867 x6
 S4 19mm 3/4" A911 (0111) x9	 S2 9,5mm 3/8" A511 (0111C) x3	 C863 x6
 S4 19mm 3/4" A911 (0111) x7	 S2 9,5mm 3/8" A511 (0111C) x4	 A238 (0038A) x4
 B2 19mm 3/4" A447 (0147F) x2	 S1 5,8mm 15/64" A637 (0037B) x15	 A238 (0038A) x46
 B2 19mm 3/4" A447 (0147F) x4	 S1 5,8mm 15/64" A637 (0037B) x7 1	 A338 (0038B) x38
 B1 14,7mm 37/64" A247 (0147D) x1	 A337 (0037A) x38	 A259 (0059C) x33
 B1 14,7mm 37/64" A247 (0147D) x10	 A337 (0037A) x1 14	 A138 (0038) x28
 A737 (0037H) x6	 A136 (0036C) x1	 C088 x1



- C878 x1**
- C899 x1**
- A520 (0188) x2**
- A298 (0103D) x1**
- A300 (0103F) x1**
- A300 (0103F) x1**
- A174 (0074) x2**
- A307 (0103H) x2**
- A503 (0103L) x2**
- A951 (0051C) x1**
- A455 (0161) x2**
- A109 (0009F) x2**
- A309 (0009L) x4**
- A277 (0077) x2**
- C887 x2**
- C877 x6**
- C876 x6**
- A128 (0028P3P) x2**
- A322 (0022CP3P) x2**
- C921 x1**
- A898 (0040B) x1**

- A427 (0315A) x3** 115mm 4 1/2"
- A428 (0315B) x3** 100mm 3 15/16"
- A281 (0081A) x1** 90mm 3 1/2"
- A429 (0316B) x1** 75mm 3"
- A516 (0316A) x2** 60mm 2 3/8"
- A317 (0317) x2** 50mm 2"
- A318 (0318A) x1** 40mm 1 9/16"
- A430 (0318C) x1** 32mm 1 1/4"
- C866 x2** 32mm 1 1/4"
- C949 x8** 25,4mm 1"
- A448 (0048A) x2**
- A248 (0048) x1**
- A548 (0048E) x3**
- A720 (0011) x1**
- A512 (0012B) x3**
- A812 (0812B) x13**
- C483 x1**
- A176 (0064A) x1**
- A321 (0321) x1**
- A012 (0012) x2**
- C888 x4**
- C879 x2**
- A419 (0260B) x4**
- A423 (0260F) x3**
- C881 x7**
- C885 x2**
- A195 (0057B) x1**
- C135 x1**
- A313 (0213D3P) x2**
- A025 (0025B3P) x2**
- A444 (0144C) x2**
- A202 (0002) x2**
- A202 (0002) x7**
- A203 (0003) x1**
- A203 (0003) x1**
- A203 (0003) x1**
- A203 (0003) x1**
- A304 (0004) x1**
- A105 (0005) x4**
- C773 x2**
- C772 x2**
- C772 x2**
- C771 x2**
- C771 x2**
- C770 x1**
- C768 x2**
- C775 x4**
- C775 x4**
- C776 x4**
- C776 x6**
- A260 (0260) x8**
- B051 x4**
- A420 (0260C) x12**
- C868 x1**
- A524 (0023BP) x2**
- A326 (0026P3P) x8**





1

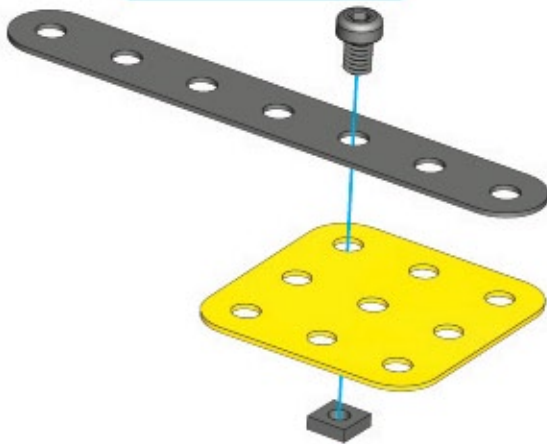
A203 (00020) X 1

A174 (00074) X 1

5,8mm 15/64" A637 (00370) X 1

A337 (00370) X 1

	S1	1:1	
	Scale 1 Echelle 1 Maßstab 1 Scala 1	Escała 1 Schaal 1 Escala 1 Skala 1	Mittakaava 1 Målestok 1 Κλίμακα 1 масштаб 1




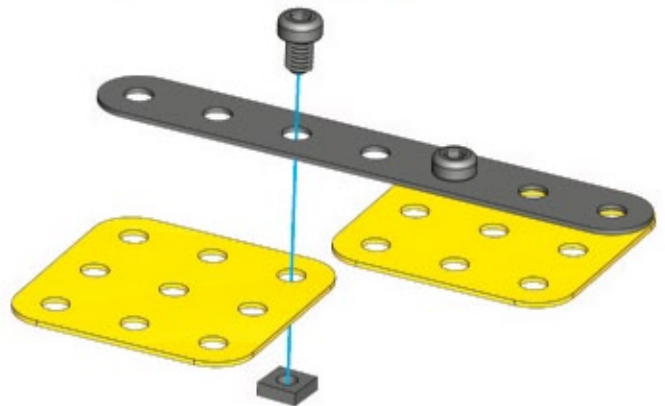
2

A174 (00074) X 1

5,8mm 15/64" A637 (00370) X 1

A337 (00370) X 1

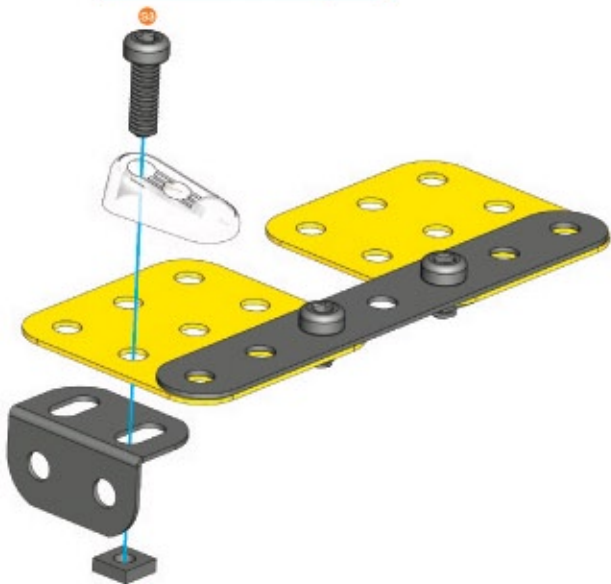
	S1	1:1
--	-----------	------------



3

	C879 X1
	A309 (0009U) X1
12mm 1/2"	A411 (0011A) X1
	A337 (0037A) X1

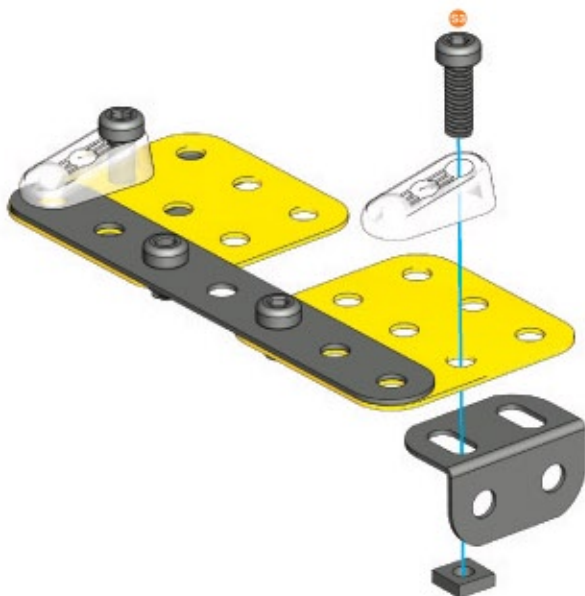
	1:1
--	------------



4

	C879 X1
	A309 (0009U) X1
12mm 1/2"	A411 (0011A) X1
	A337 (0037A) X1

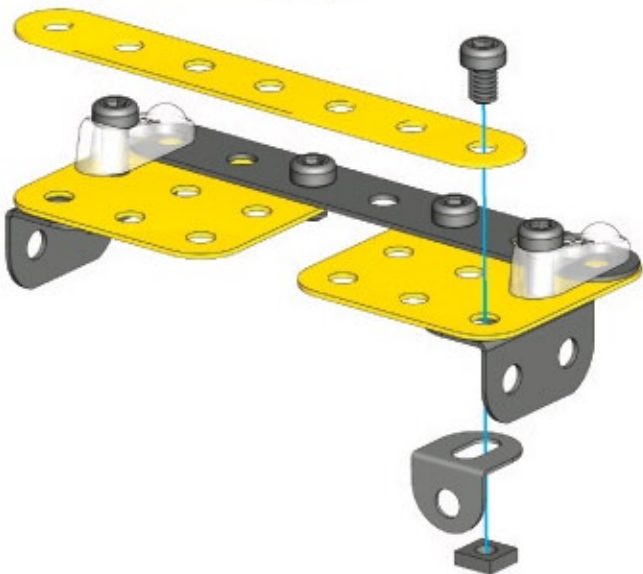
	1:1
--	------------



5

	A203 (0003) X1
	A012 (0012) X1
5,8mm 15/64"	A637 (0037B) X1
	A337 (0037A) X1

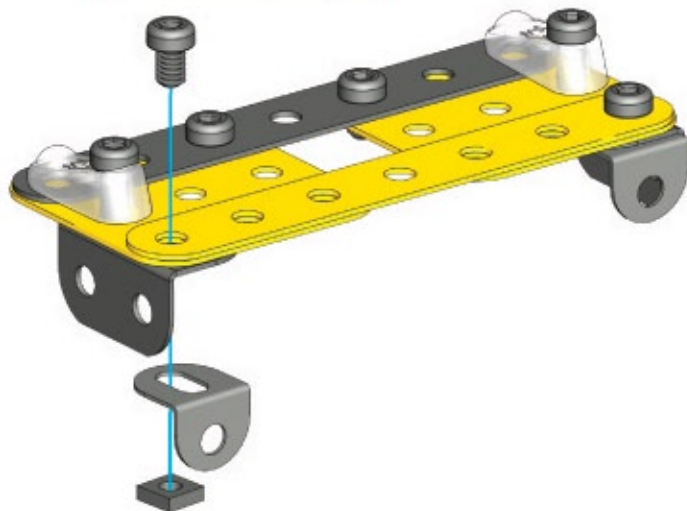
	1:1
--	------------



6

	A012 (0012) X1
5,8mm 15/64"	A637 (0037B) X1
	A337 (0037A) X1

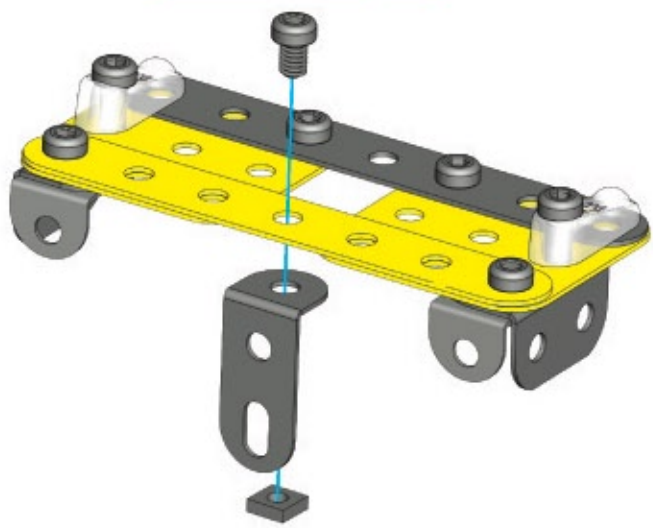
	1:1
--	------------



7

- A512 (00128) X 1
- 5,8mm 15/64" A637 (00378) X 1
- A337 (00378) X 1

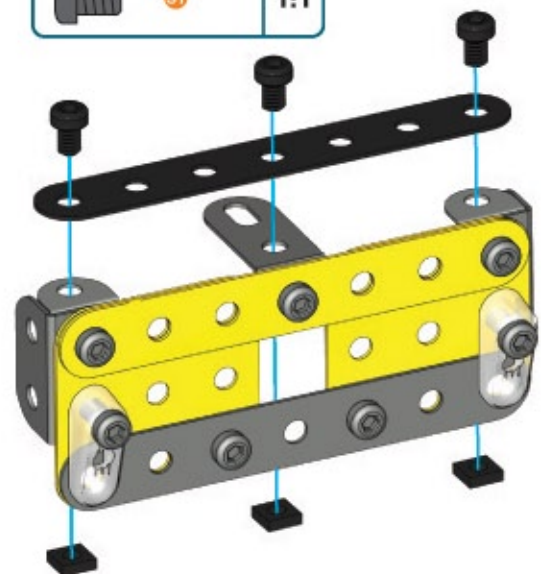
	S1	1:1
---	----	-----



8

- A203 (00101) X 1
- 5,8mm 15/64" A637 (00378) X 3
- A337 (00378) X 3

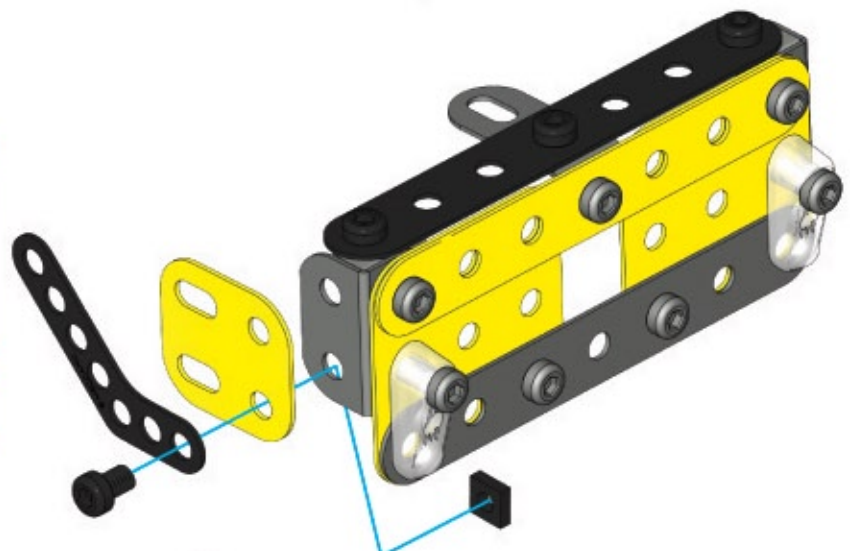
	S1	1:1
--	----	-----



9

- C775 X 1
- A503 (01093) X 1
- 5,8mm 15/64" A637 (00378) X 1
- A337 (00378) X 1

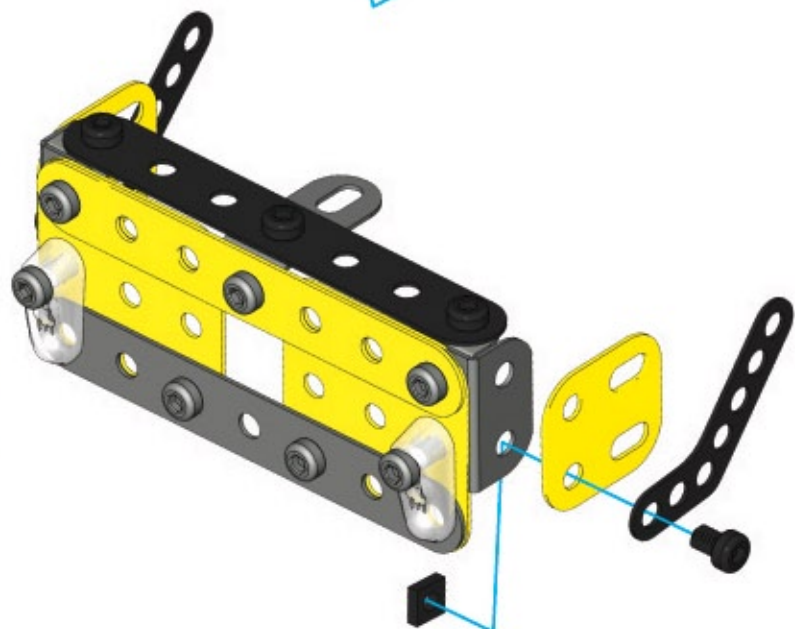
	S1	1:1
---	----	-----




10

- C775 X 1
- A503 (01093) X 1
- 5,8mm 15/64" A637 (00378) X 1
- A337 (00378) X 1

	S1	1:1
---	----	-----





11

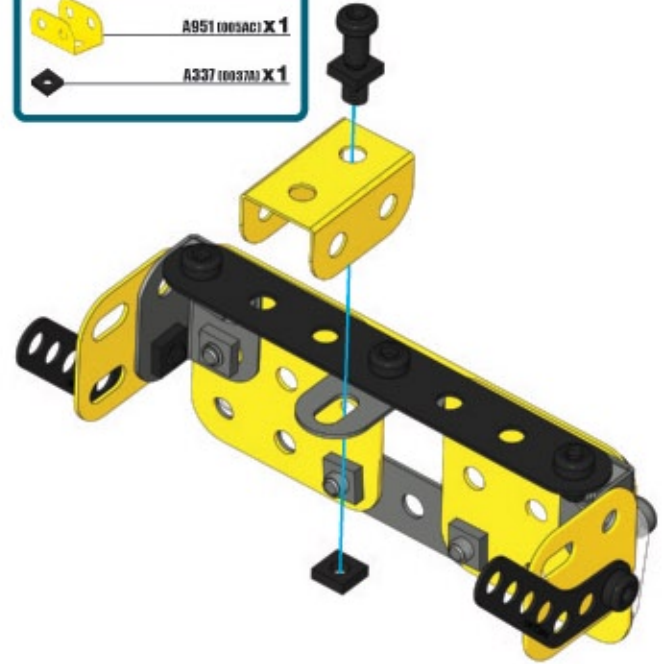
	14,7mm 37/64"	A247 (01470) X 1
		A337 (00370) X 1

	B1	1:1
---	----	-----



12 (10 + 11) +

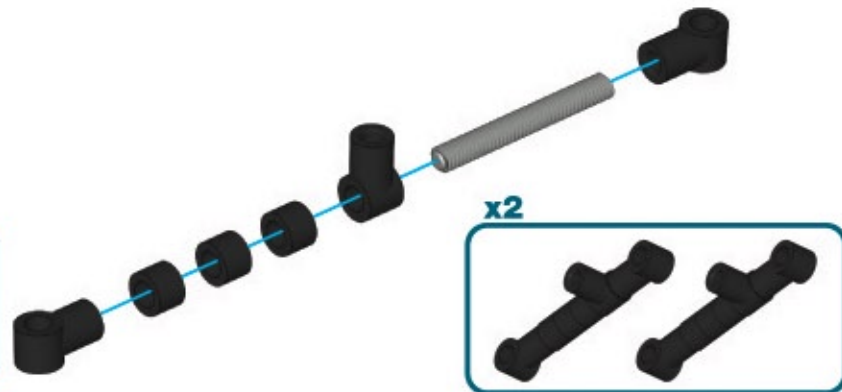
	A951 (003AC) X 1
	A337 (00370) X 1



13

	32mm 1 1/4"	C066 X 2
		C063 X 6
		A338 (00380) X 6

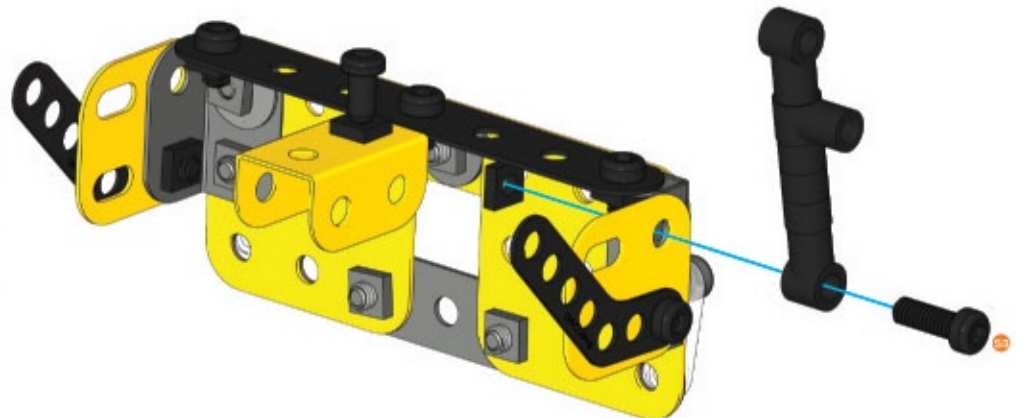
		1:1
		A338



14 (12 + 13) +

	12mm 1/2"	A411 (01110) X 1
		A337 (00370) X 1

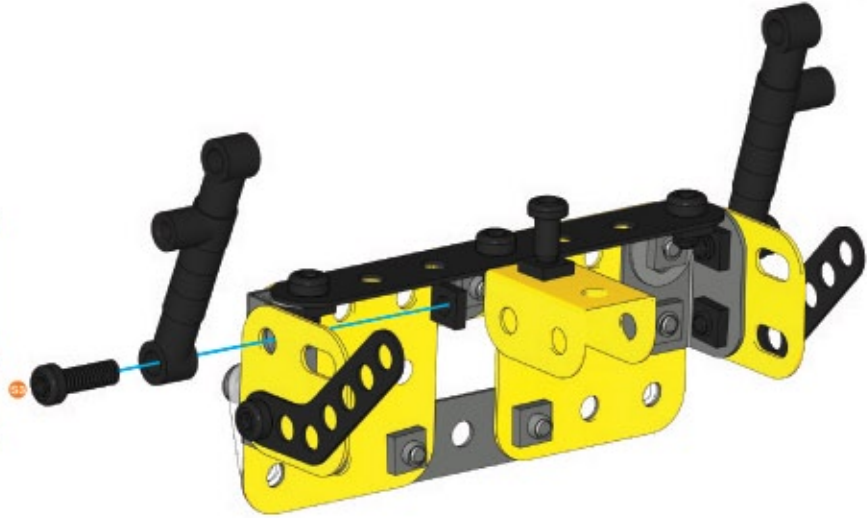
	S3	1:1
---	----	-----







15 (13 + 14) +


	12mm 1/2"	A411 (01194) X 1
		A337 (00378) X 1

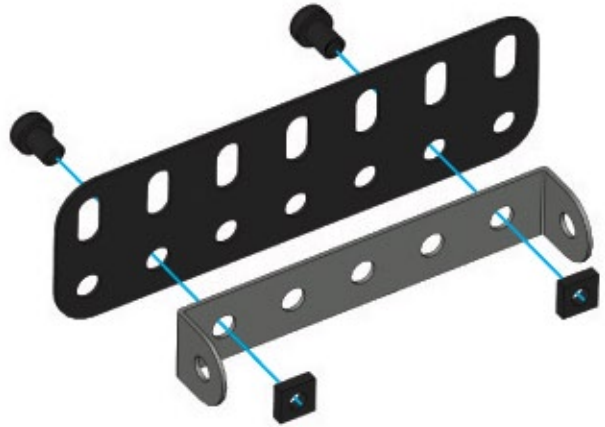
	S1	1:1
---	----	-----



16

	A298 (01030) X 1	
	A448 (00488) X 1	
	5,8mm 15/64"	A637 (00378) X 2
		A337 (00378) X 2

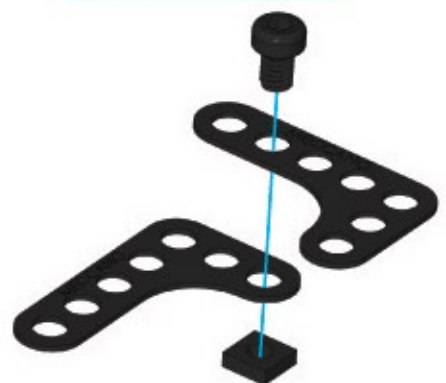
	S1	1:1
---	----	-----






17


	C776 X 2	
	5,8mm 15/64"	A637 (00378) X 1
		A337 (00378) X 1

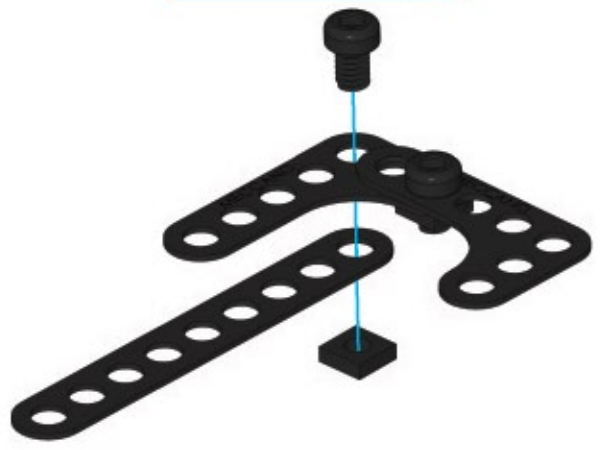
	S1	1:1
---	----	-----



18

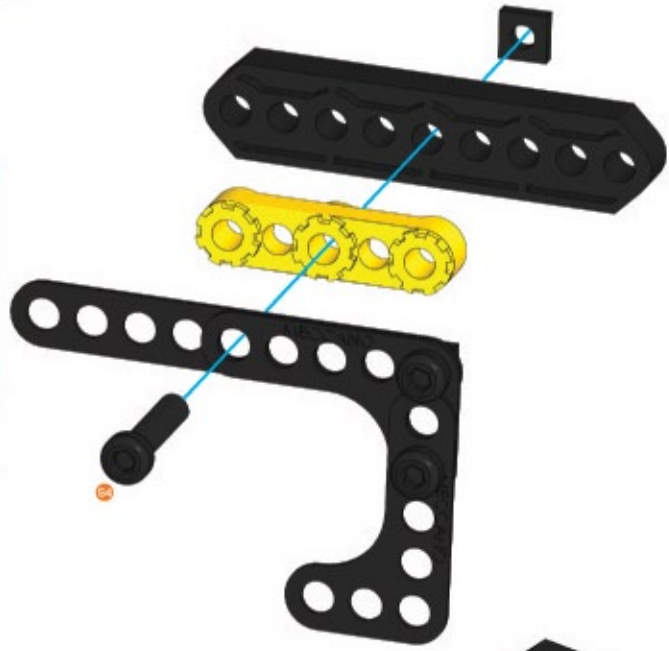
	C775 X 1	
	5,8mm 15/64"	A637 (00378) X 1
		A337 (00378) X 1

	S1	1:1
---	----	-----



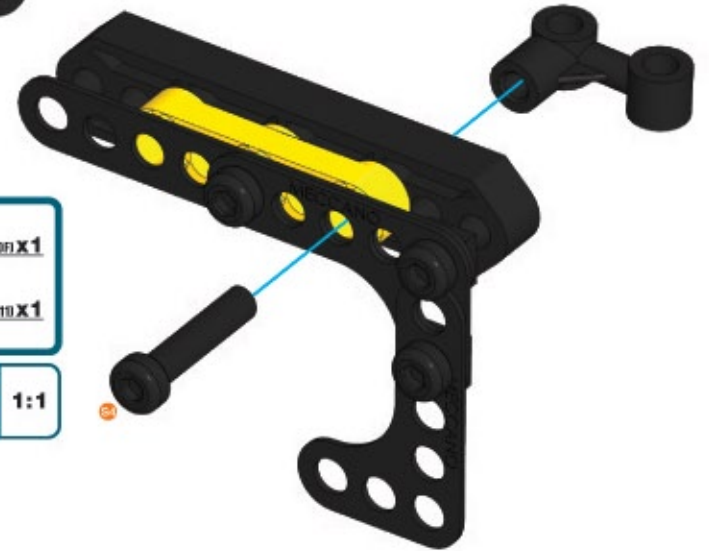
19

	B051 X 1
	A420 (02600) X 1
	A911 (01111) X 1
	A337 (0037A) X 1
	S4 1:1



20

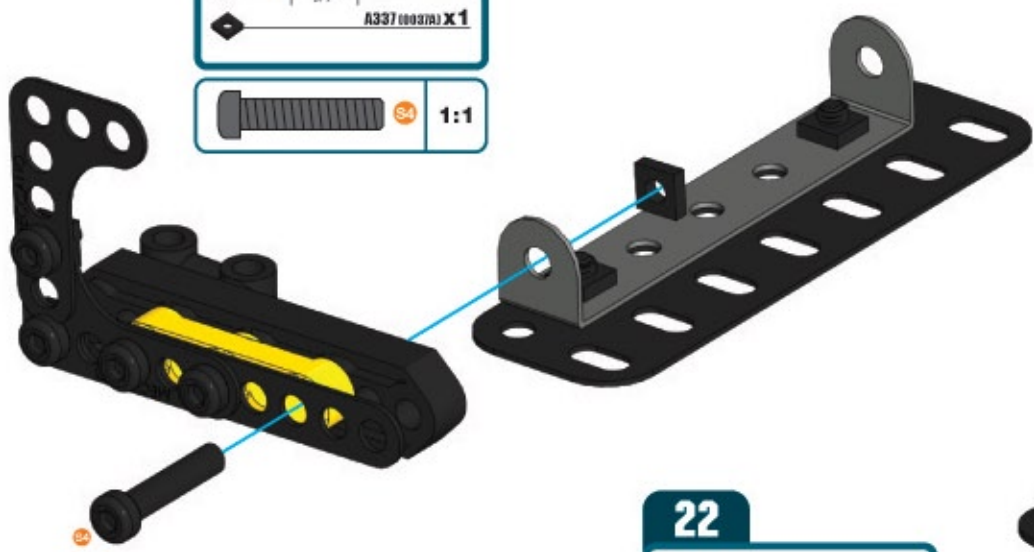
	A423 (02607) X 1
	A911 (01111) X 1
	S4 1:1



21

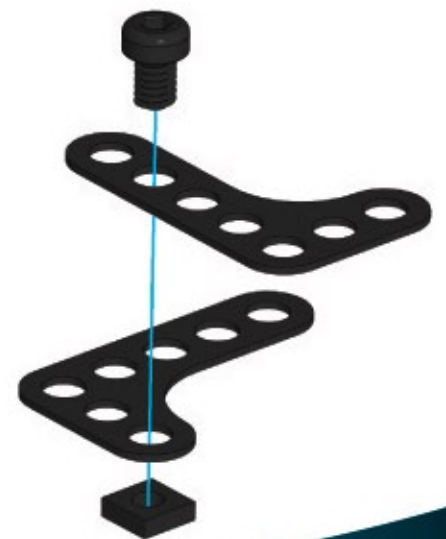
16 + 20 +

	A911 (01111) X 1
	A337 (0037A) X 1
	S4 1:1






22

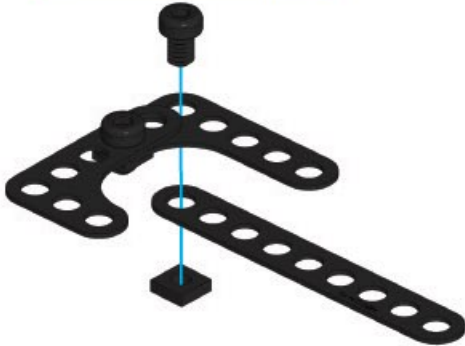
	C770 X 2
	A637 (0037B) X 1
	A337 (0037A) X 1
	S1 1:1



23

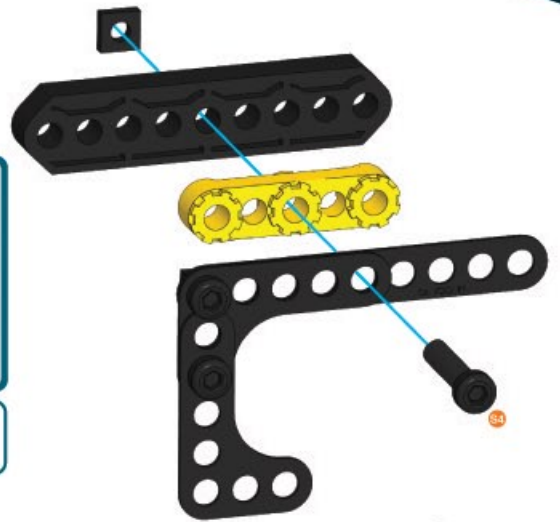
 **6775 x 1**
 **5,8mm** | **A637 (00378) x 1**
 | **A337 (0037A) x 1**



 **S1** | **1:1**

**24**

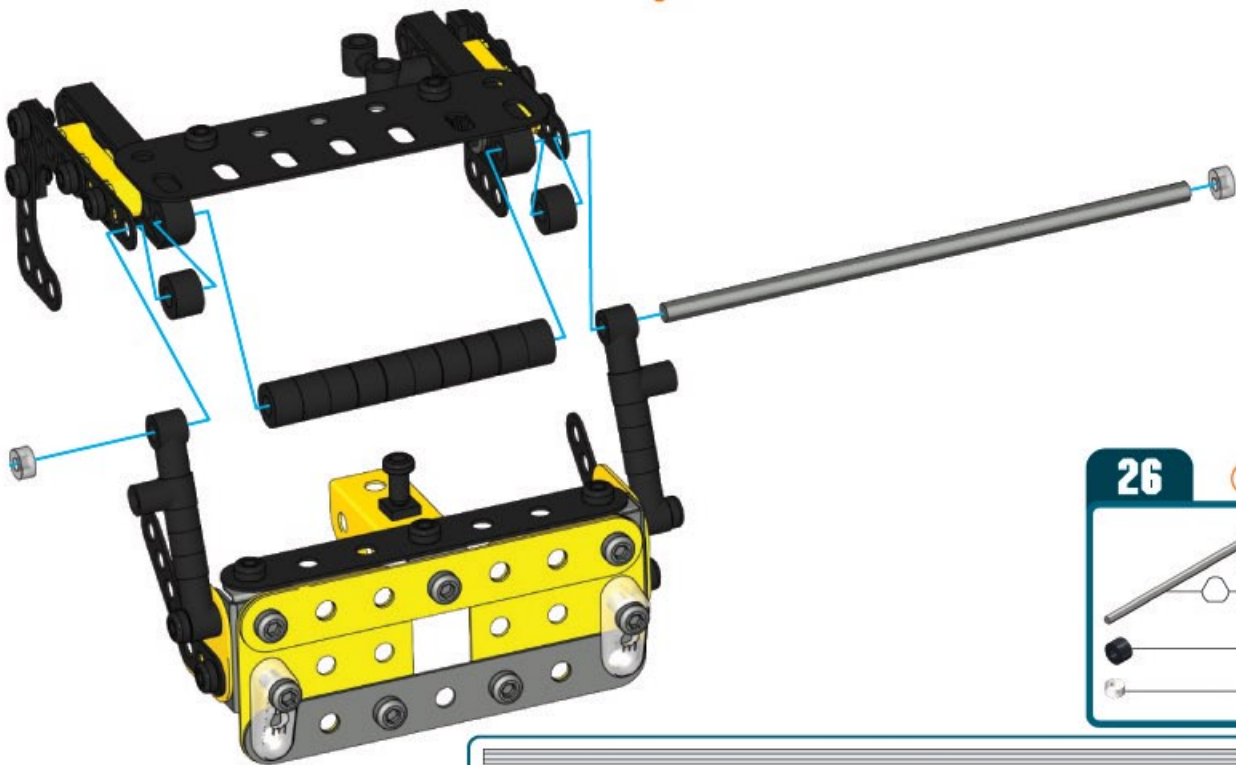
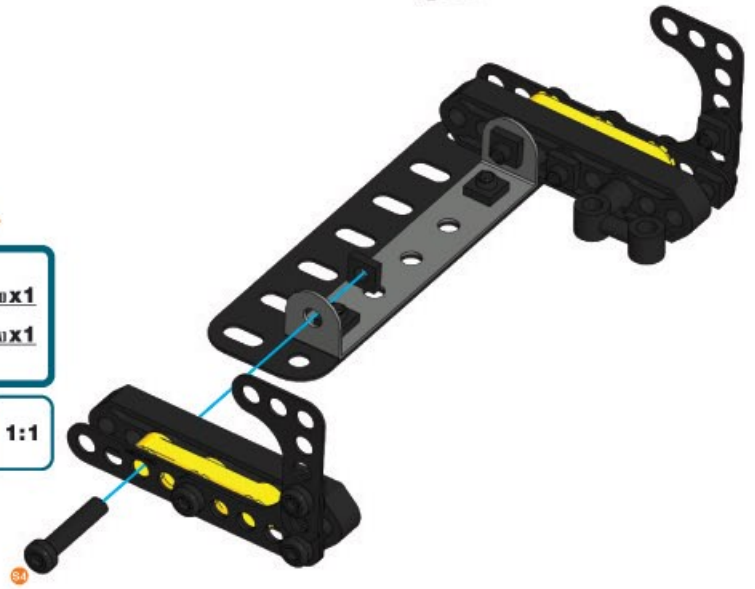
 **8051 x 1**
 | **A420 (0280C) x 1**
 **19mm** | **A911 (0110) x 1**
 | **A337 (0037A) x 1**

 **S4** | **1:1**

**25****(21) + (24) +**

 **S4** | **19mm** | **A911 (0110) x 1**
 | **A337 (0037A) x 1**

 **S4** | **1:1**

**26****(15) + (25) +**

 | **115mm** | **A427 (0315A) x 1**
 | **A238 (0038A) x 12**
 | **A259 (0059C) x 2**

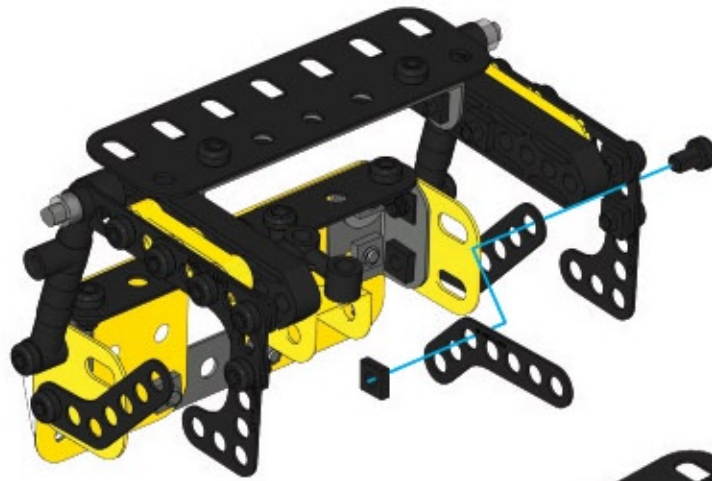
 **A238**

1:1

27

	0775 X 1
	A637 (00370) X 1
	A337 (00370) X 1

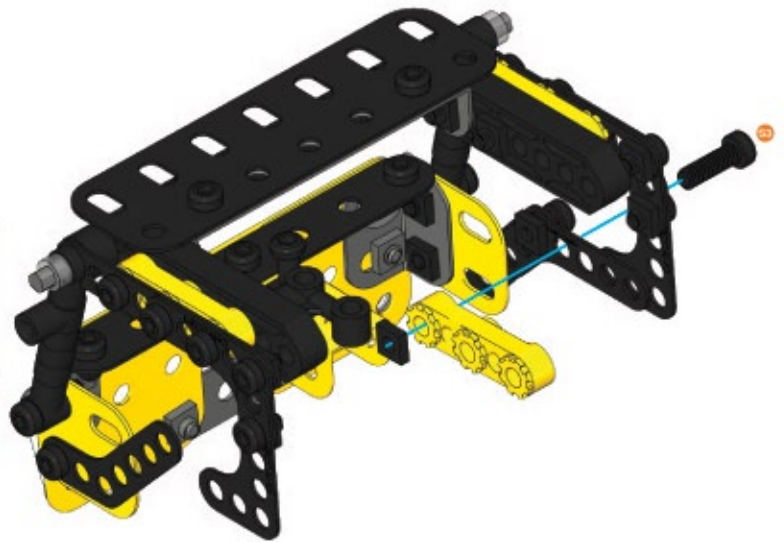
	S1	1:1
--	-----------	------------



28

	A420 (02000) X 1
	A411 (01191) X 1
	A337 (00370) X 1

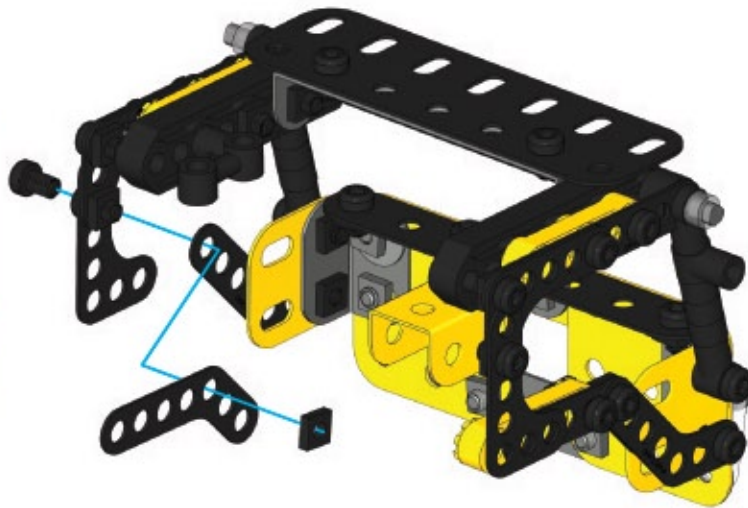
	S3	1:1
--	-----------	------------



29

	0775 X 1
	A637 (00370) X 1
	A337 (00370) X 1

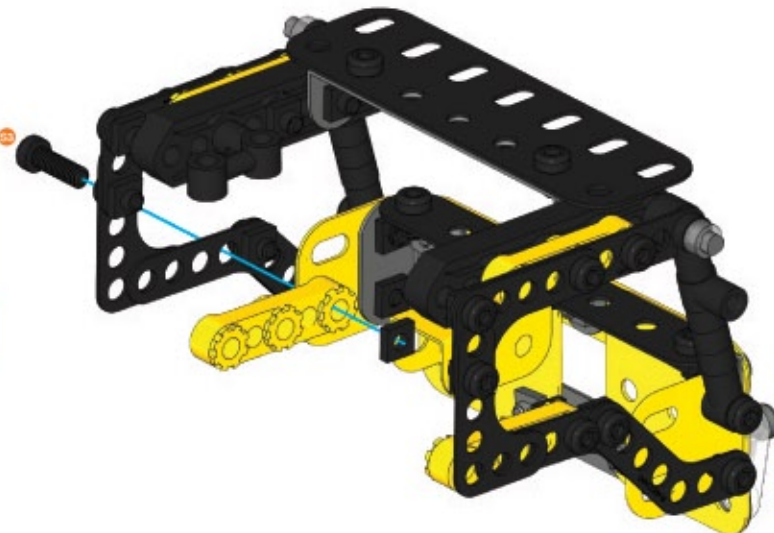
	S1	1:1
--	-----------	------------







30

	A420 (02000) X 1
	A411 (01191) X 1
	A337 (00370) X 1

	S3	1:1
--	-----------	------------





31

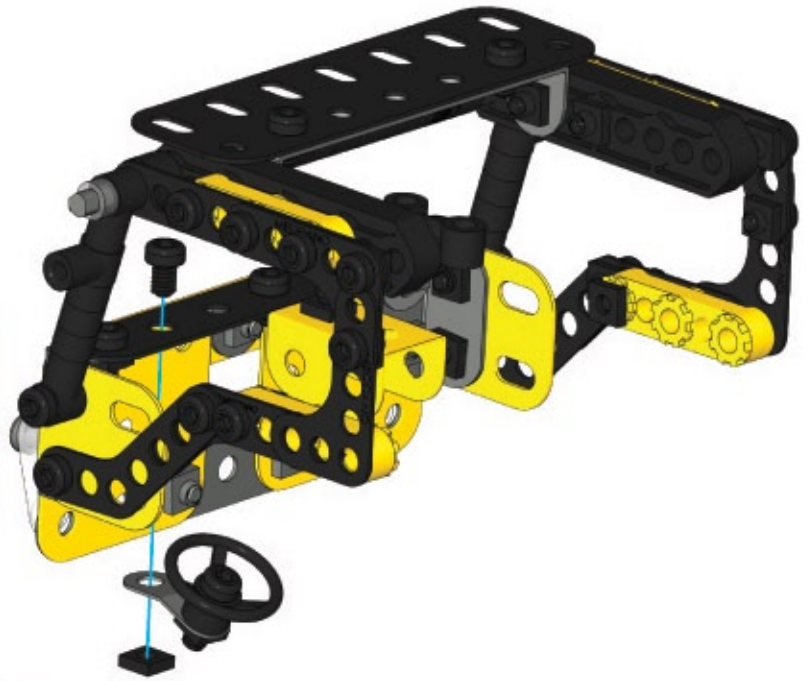
	C483 X1
	A321 (00271) X1
	A511 (01116) X1
	A337 (00376) X1

	S2	1:1
---	-----------	------------

**32****30 + 31 +**

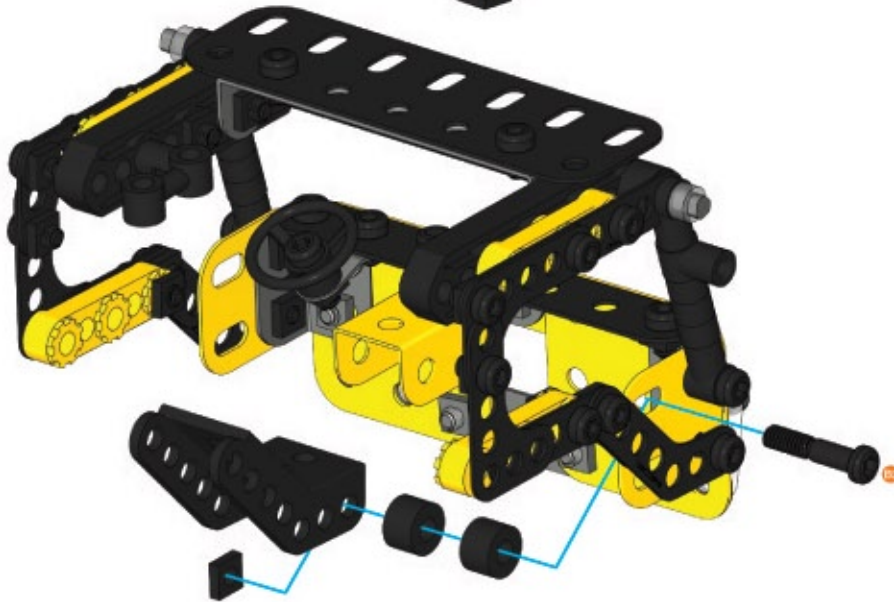
	S1	5,8mm	A637 (00378) X1
		15/64"	A337 (00376) X1

	S1	1:1
---	-----------	------------

**33**

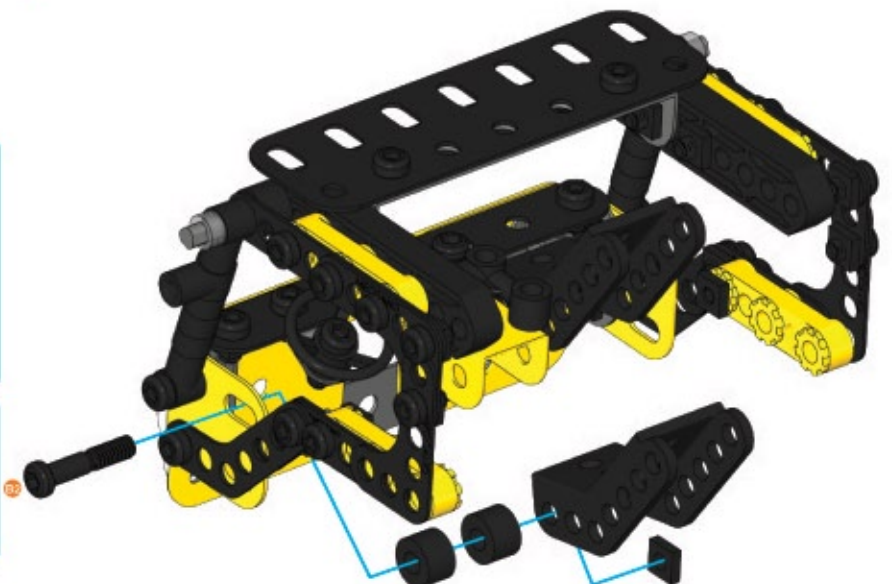
	C887 X1		
	A238 (00384) X2		
	S2	19mm	A447 (01477) X1
		3/4"	A337 (00376) X1

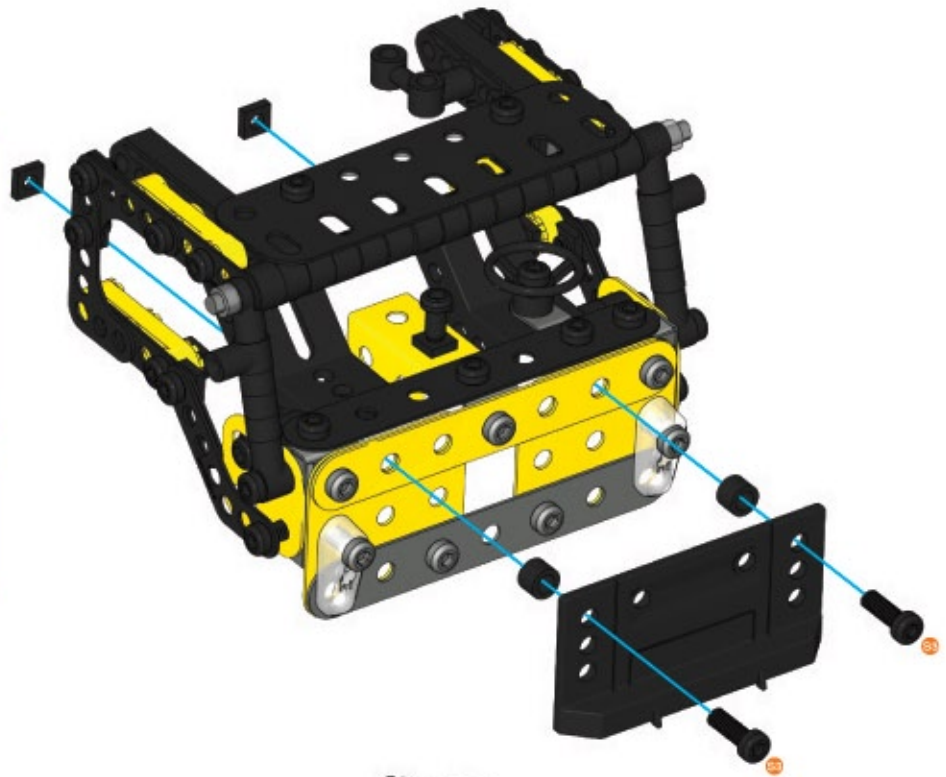
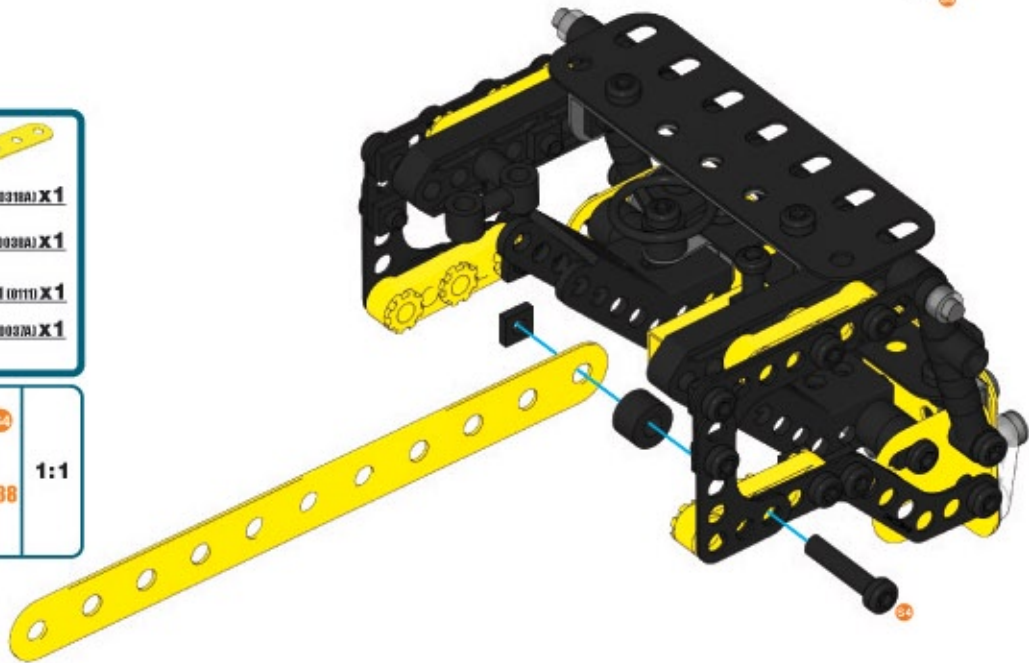
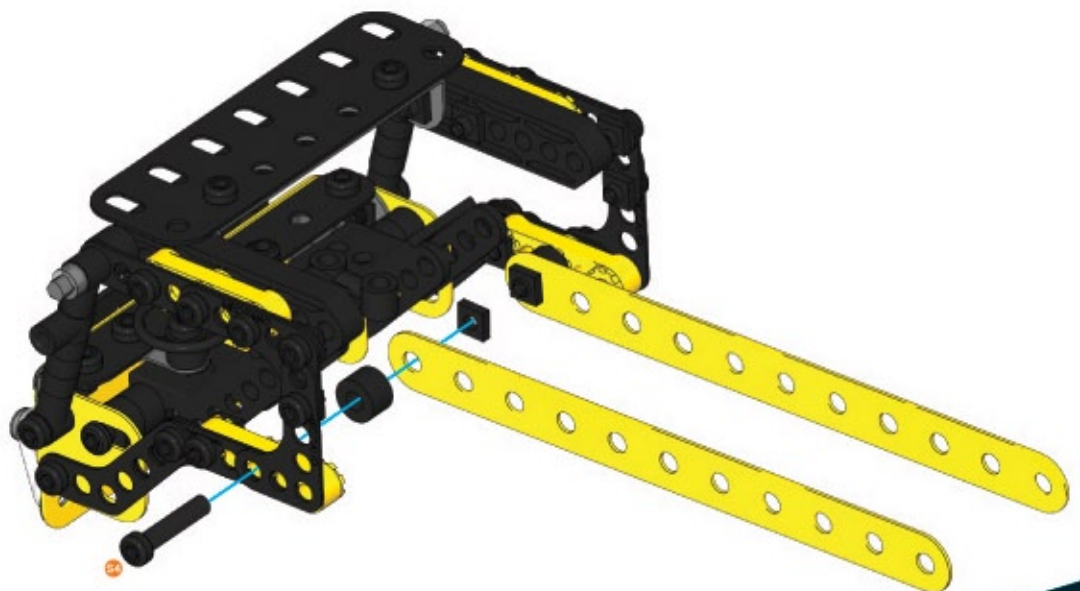
	S2	1:1
	A238	

**34**

	C887 X1		
	A238 (00384) X2		
	S2	19mm	A447 (01477) X1
		3/4"	A337 (00376) X1





	S2	1:1
	A238	



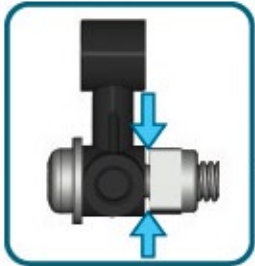
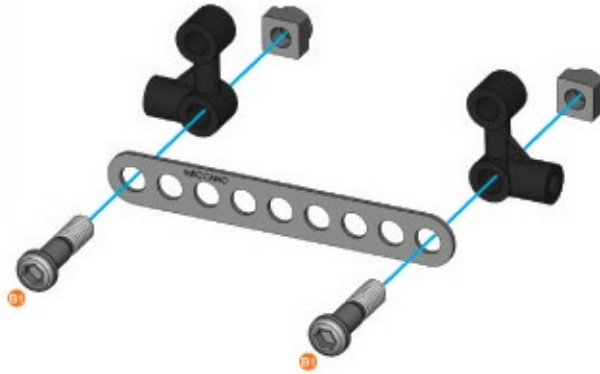
35**0878 X1****A338 (00338) X2****A411 (01110) X2**
12mm
1/2"**A337 (00337) X2****1:1****A338****36****A202 (0310A) X1****A238 (0038A) X1****A911 (0111) X1**
19mm
3/4"**A337 (00337) X1****1:1****A238****37****A202 (0310A) X1****A238 (0038A) X1****A911 (0111) X1**
19mm
3/4"**A337 (00337) X1****1:1****A238**



38

-  **6711 X1**
-  **A423 (002003) X2**
-  **A247 (001470) X2**
14,7mm | 37/64"
-  **A737 (002370) X2**

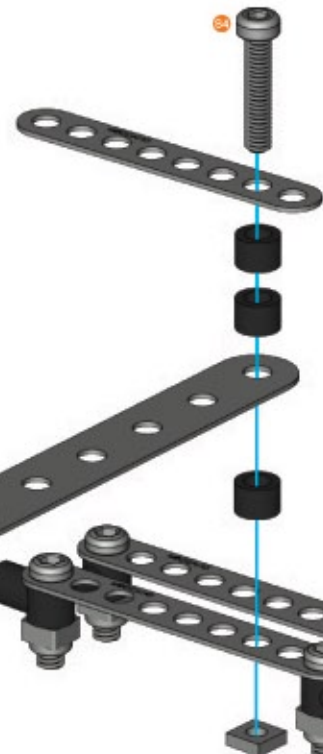
-  **B1** | **1:1**






40

-  **A202 (002100) X1**
-  **6710 X1**
-  **A338 (002000) X3**
-  **A911 (001900) X1**
19mm | 3/4"
-  **A337 (002370) X1**

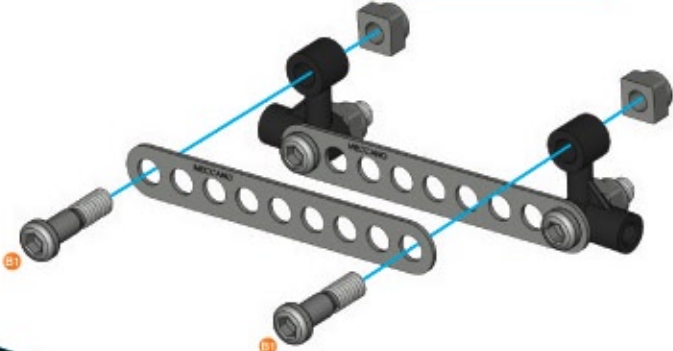
-  **S4** | **1:1**
-  **A338**



39

-  **6711 X1**
-  **A247 (001470) X2**
14,7mm | 37/64"
-  **A737 (002370) X2**

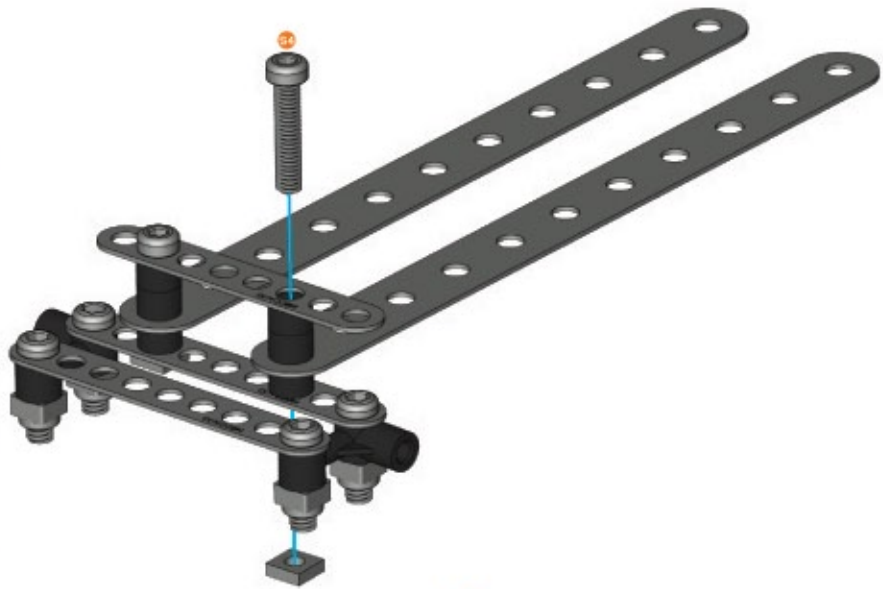
-  **B1** | **1:1**



41

- A202 (0518A) X1
- A336 (0638A) X3
- 19mm 3/4" A911 (0111) X1
- A337 (0637A) X1

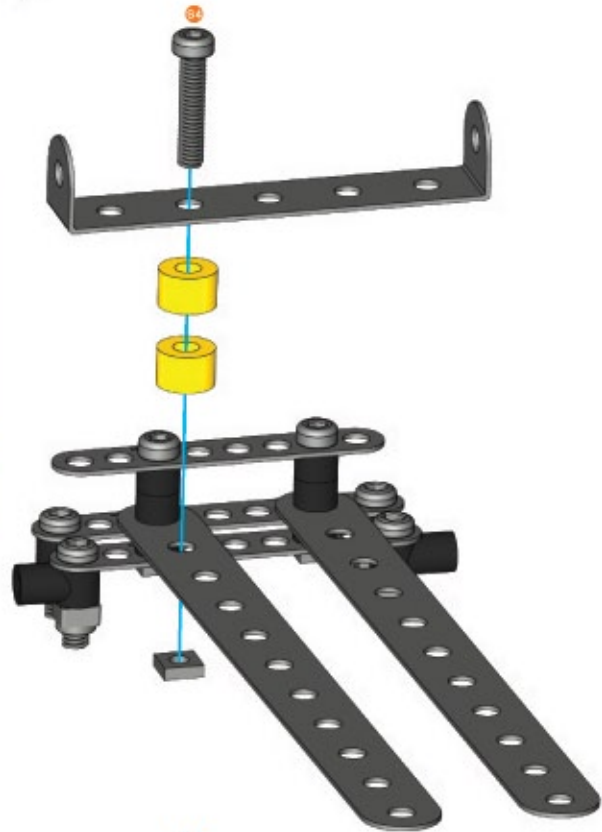
- S4
- A338
- 1:1



42

- A446 (0446A) X1
- A236 (0638A) X2
- 19mm 3/4" A911 (0111) X1
- A337 (0637A) X1

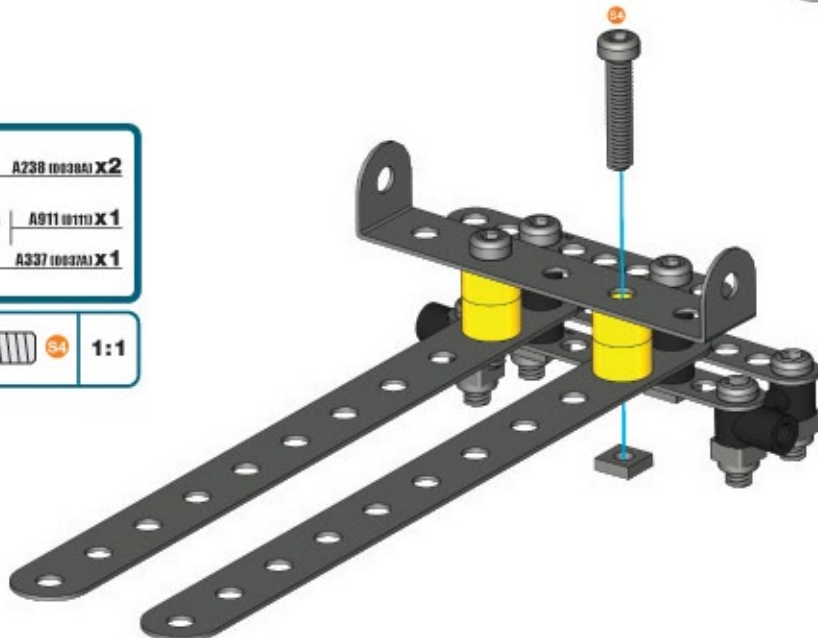
- S4
- 1:1






43

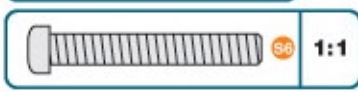
- A236 (0638A) X2
- 19mm 3/4" A911 (0111) X1
- A337 (0637A) X1

- S4
- 1:1



44

-  C060 X1
-  28mm | 1 1/8" | A611 (00110) X1
-  A337 (00370) X1



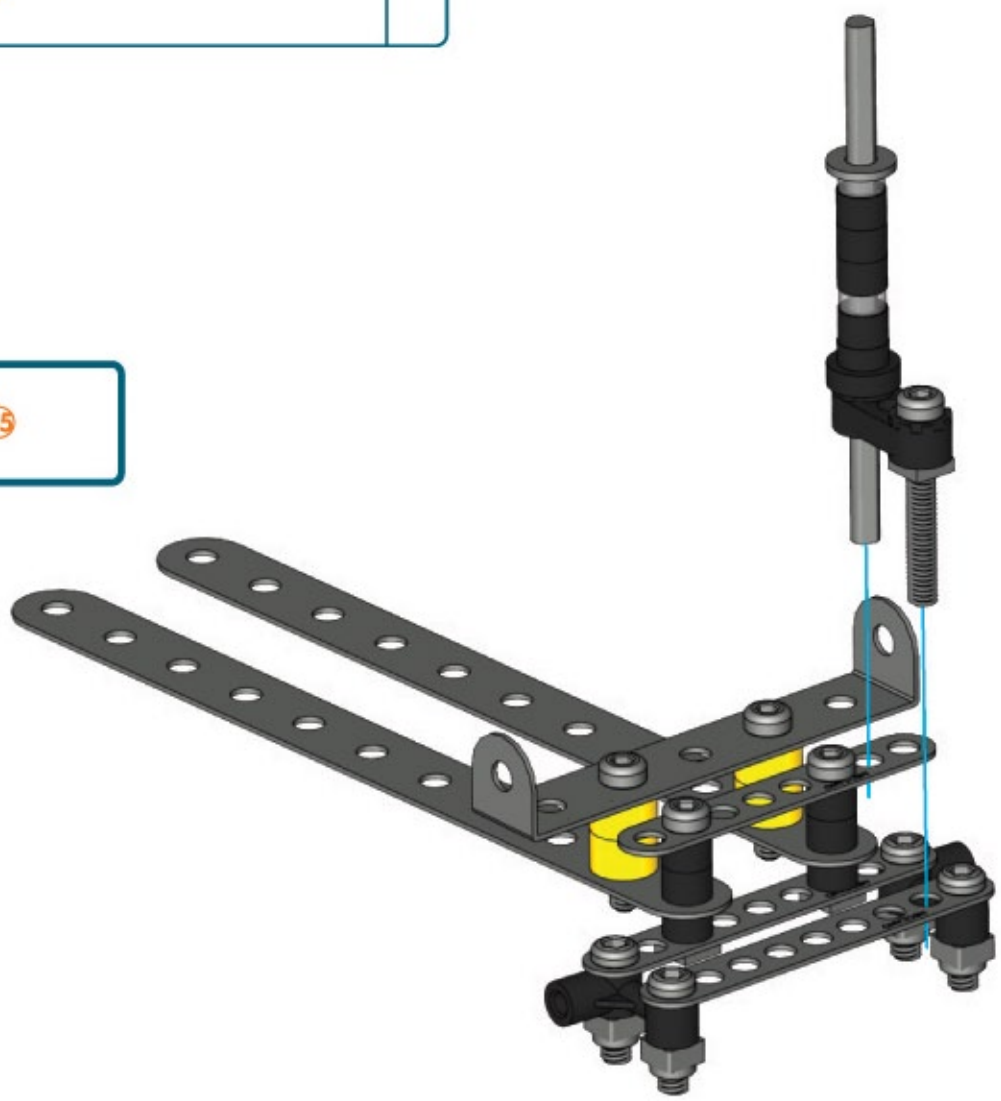
45

-  75mm | 3" | A429 (00100) X1
-  A444 (01440) X1
-  A338 (00380) X4
-  A259 (00590) X2
-  A138 (00380) X1



46

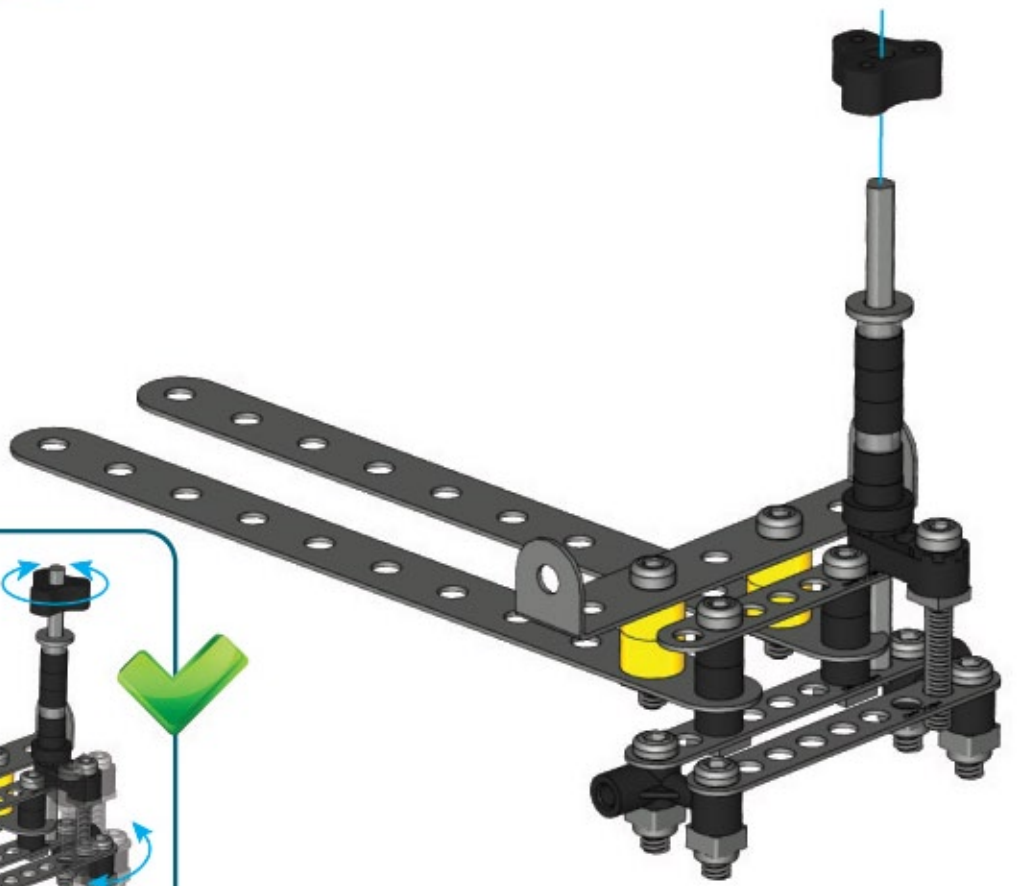
43 + 45



47



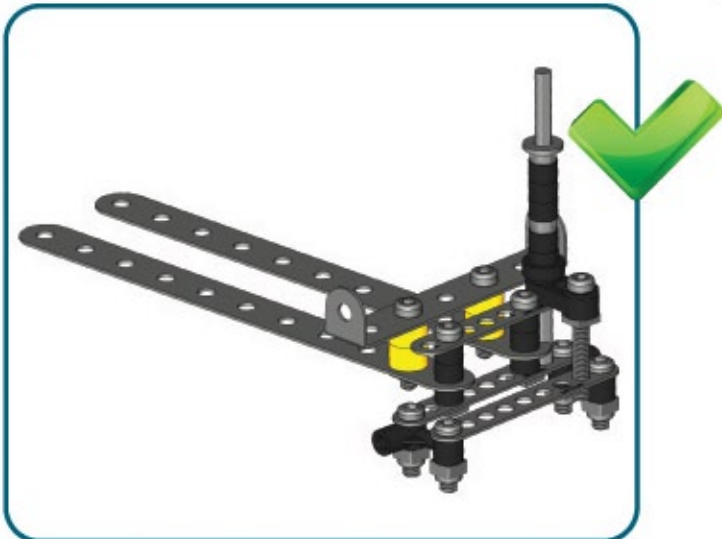
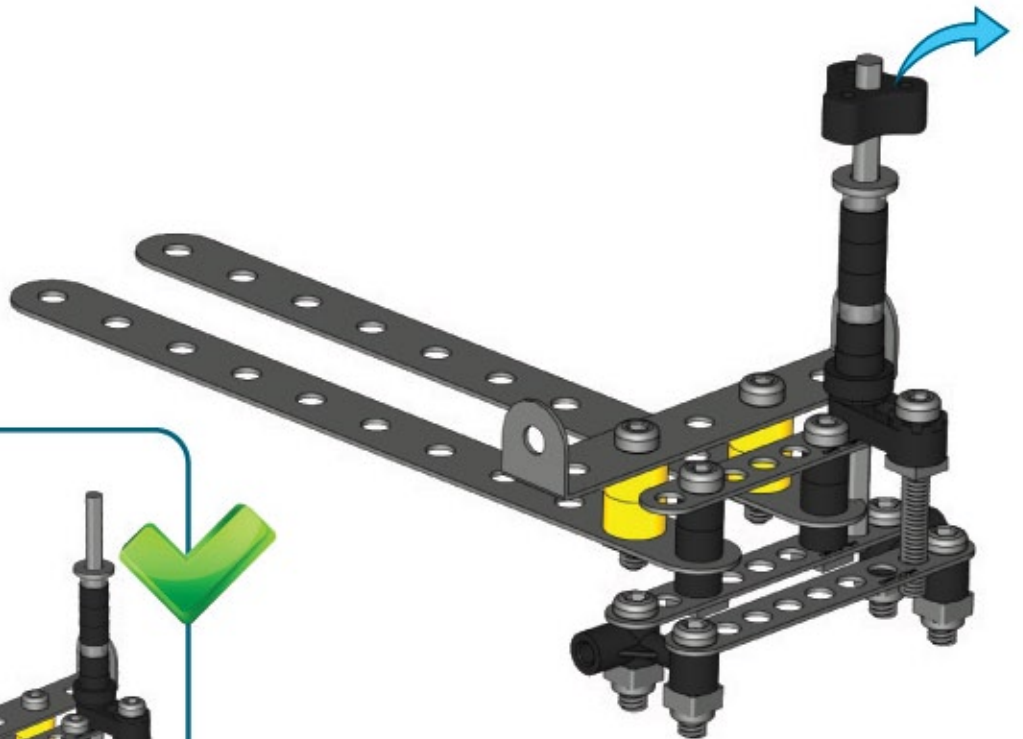
0881X1



48



-0881X1

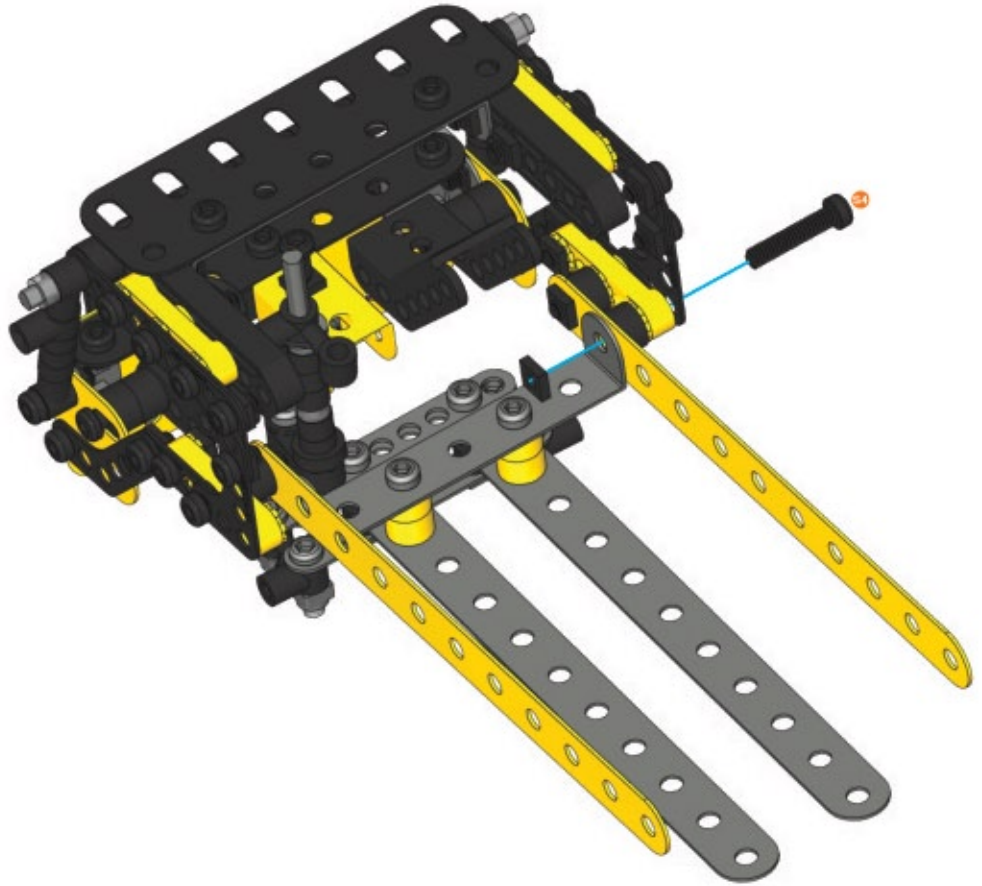


49

37+48+

- A238 (0038A) X 1
- 19mm 3/4" A911 (0011) X 1
- A337 (0037A) X 1

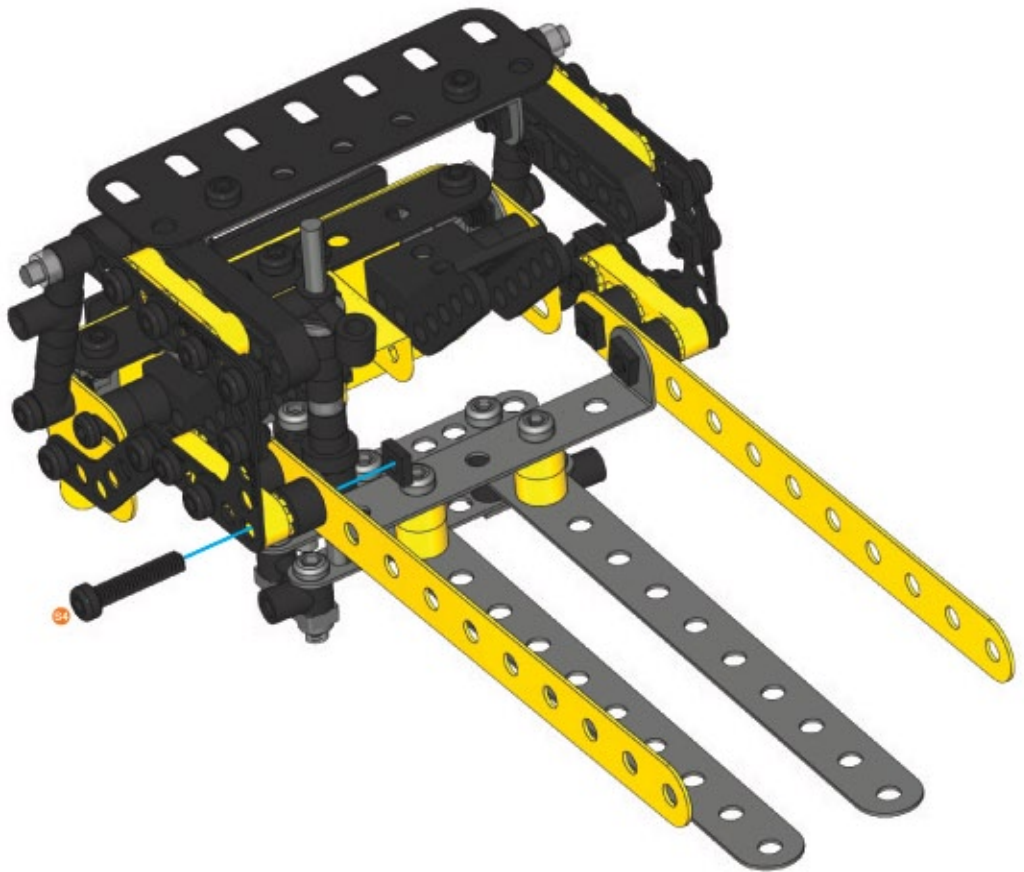
- S4
- A238
- 1:1



50

- A238 (0038A) X 1
- 19mm 3/4" A911 (0011) X 1
- A337 (0037A) X 1

- S4
- A238
- 1:1



51



A105 (0005) X1



A248 (0048) X1



5,8mm
15/64" A637 (0037) X2

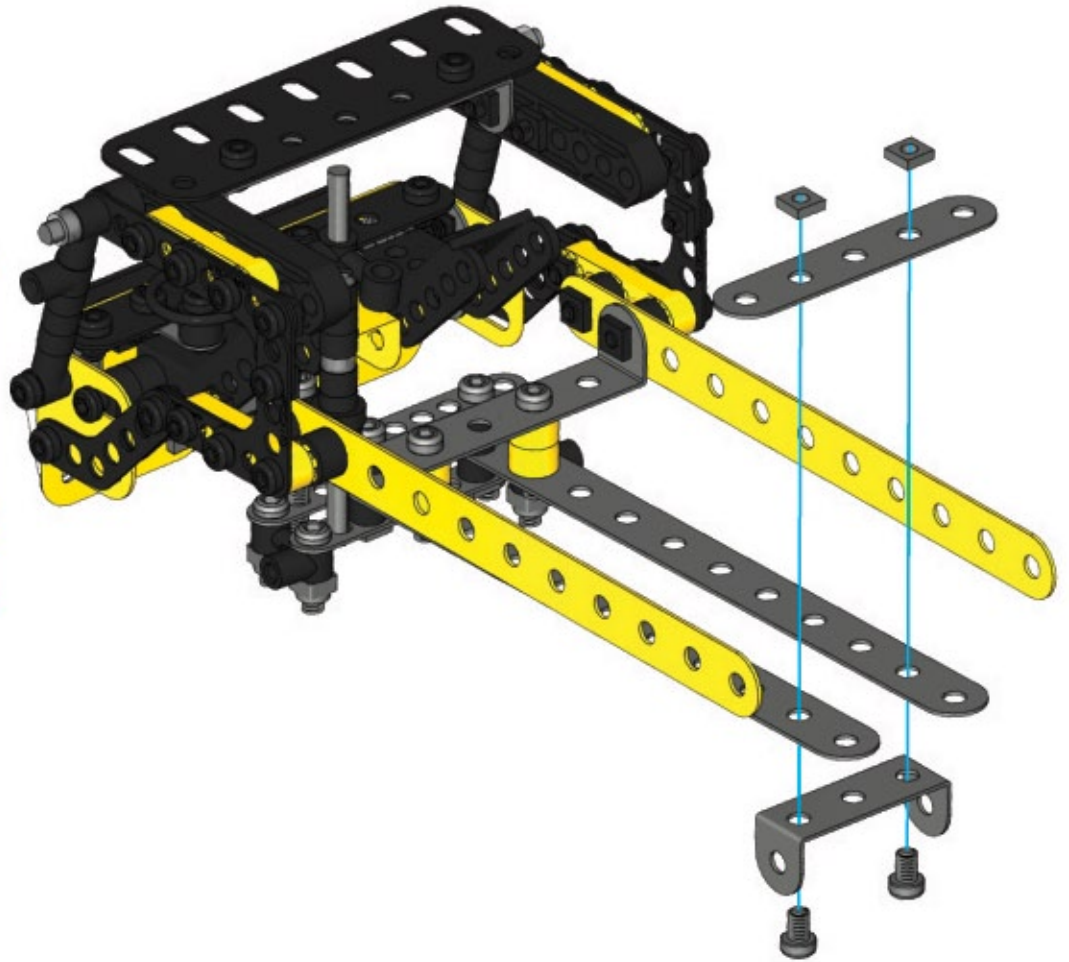


A337 (0037) X2



S1

1:1



52



A105 (0005) X1



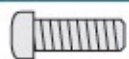
A420 (0200) X1



12mm
1/2" A411 (0111) X2

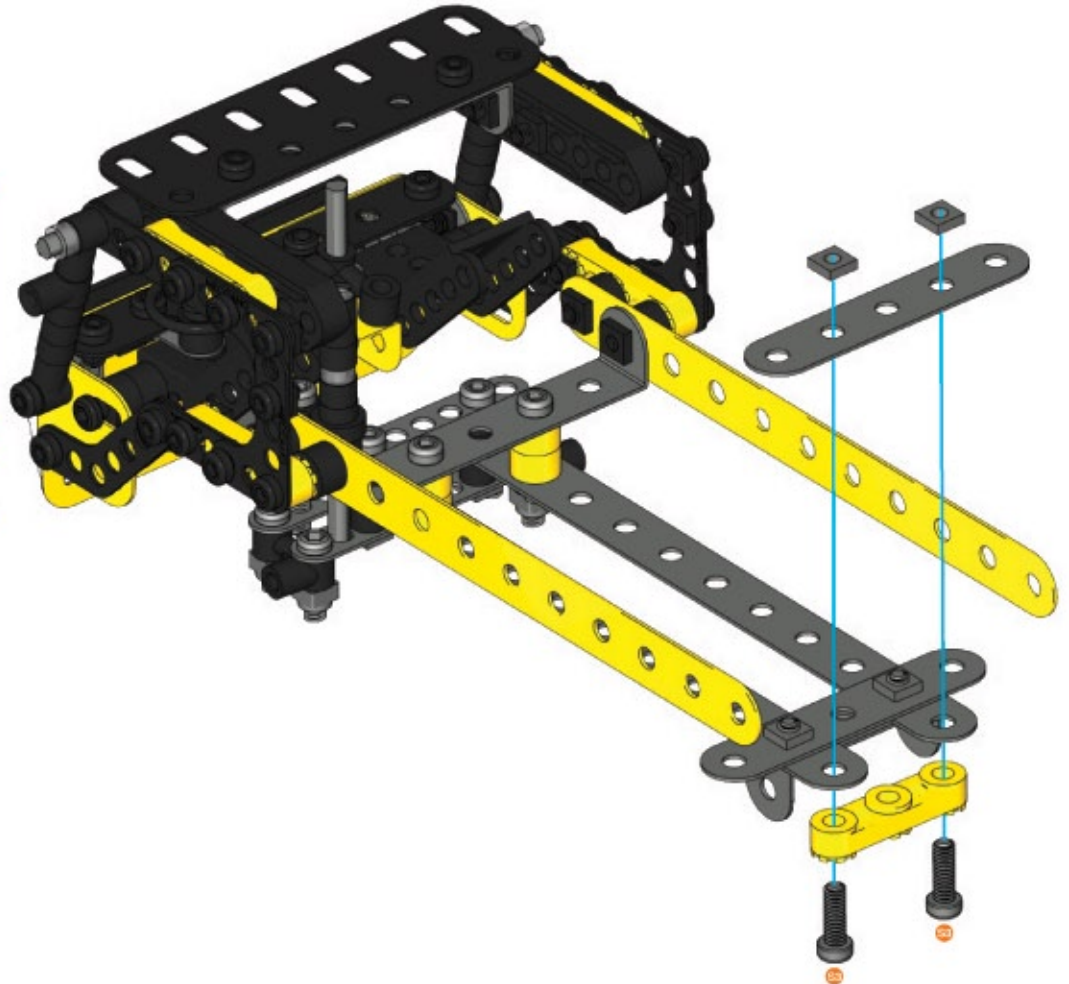


A337 (0037) X2



S3

1:1



53



A455 (0110) X1



5,8mm 15/64" A637 (00370) X2

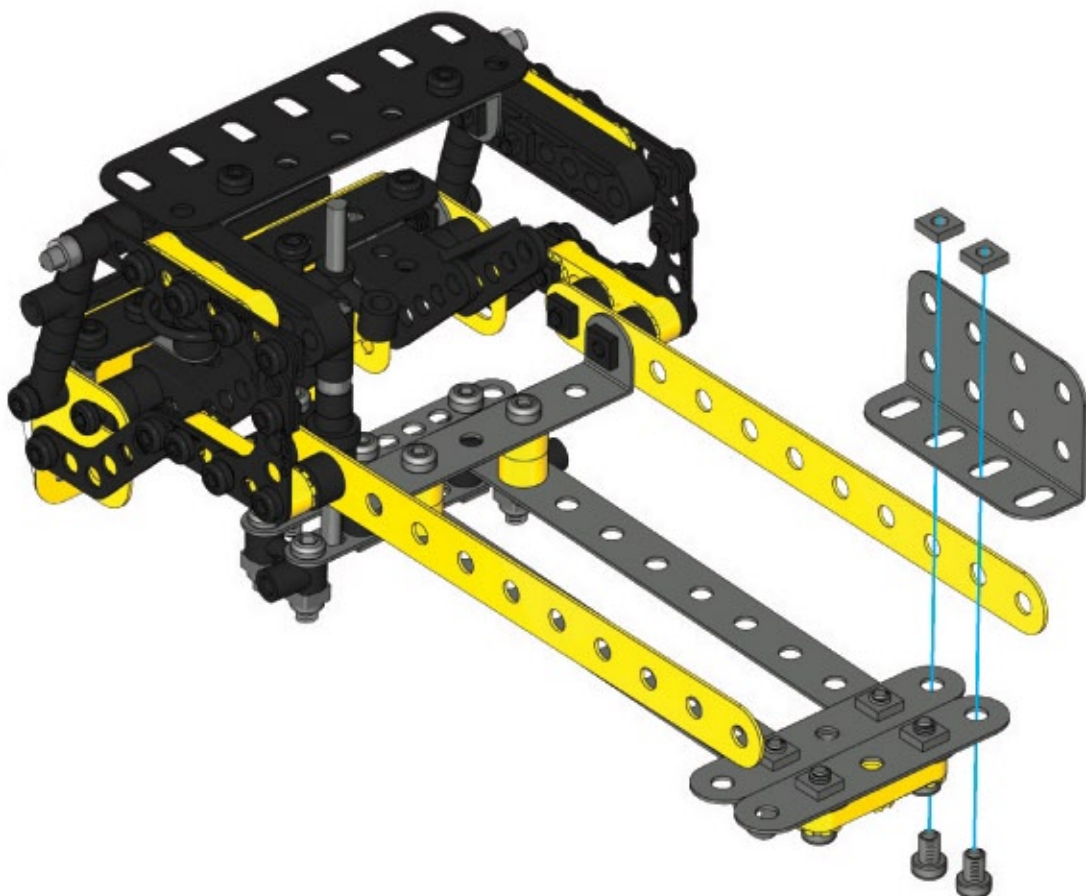


A337 (00370) X2



S1

1:1



54



A455 (0110) X1



5,8mm 15/64" A637 (00370) X2

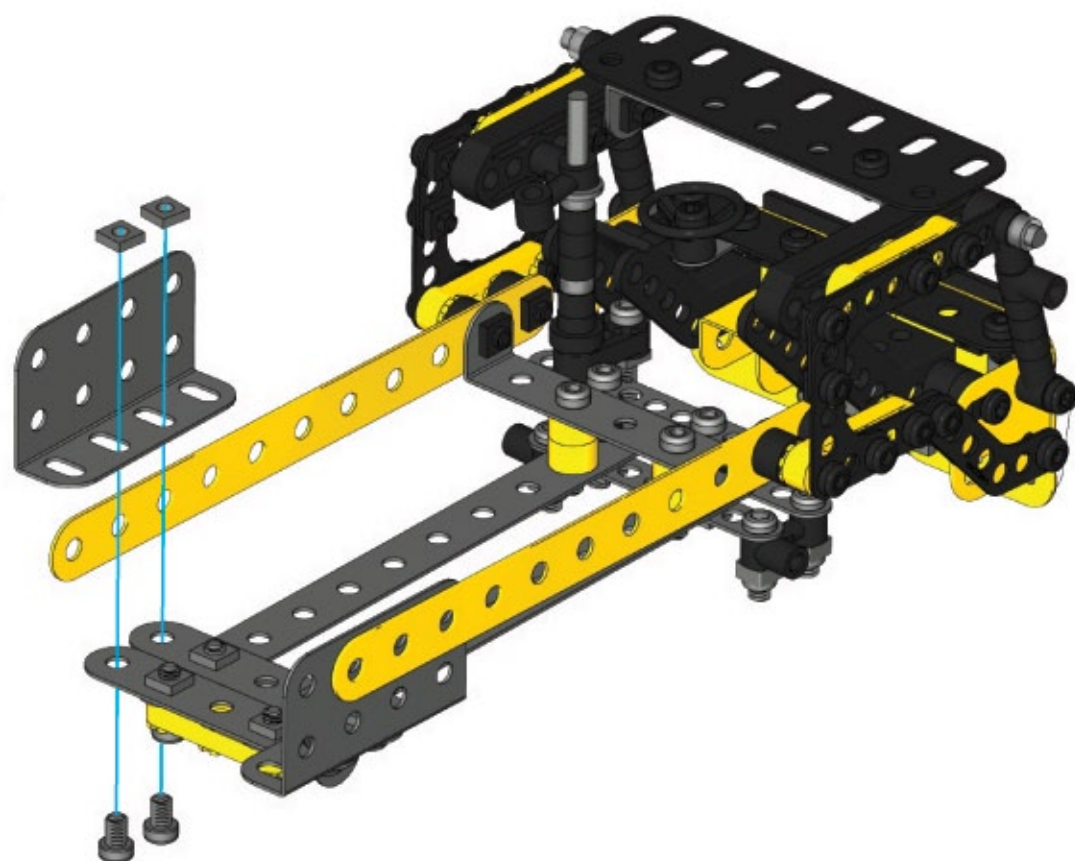


A337 (00370) X2





S1

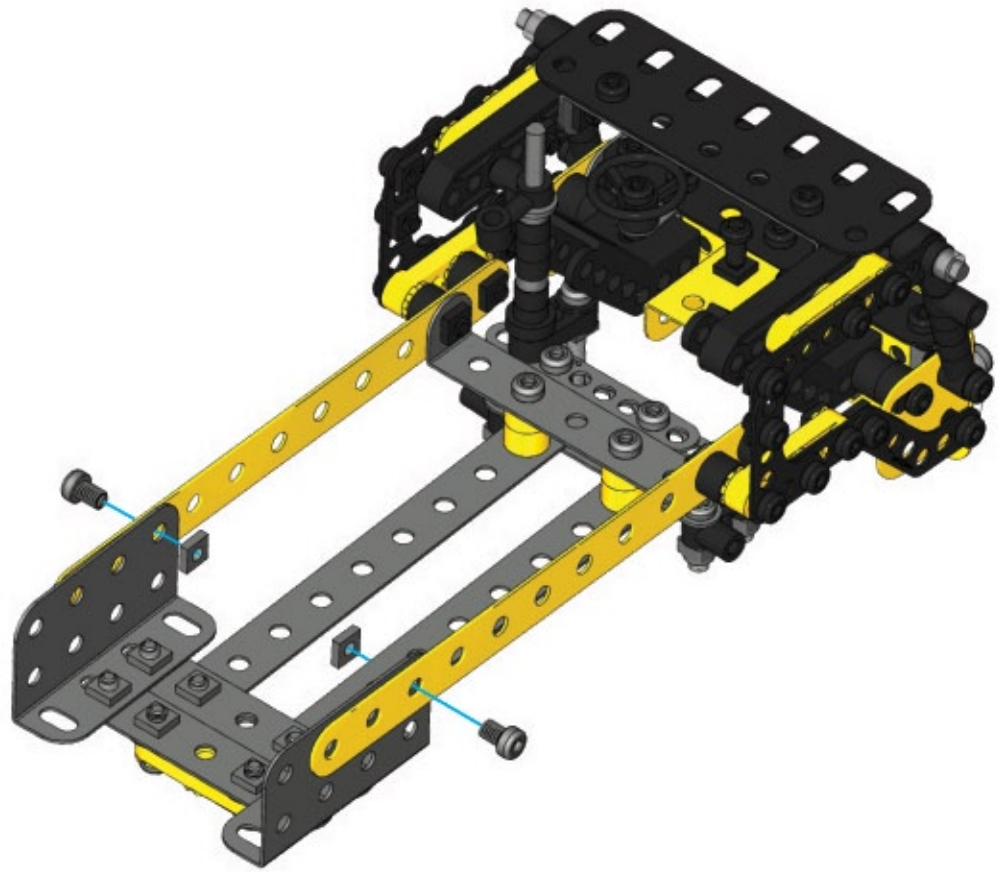
1:1



55

 5,8mm
 1/16" | **A637 (00378) X2**
 | **A337 (00378) X2**

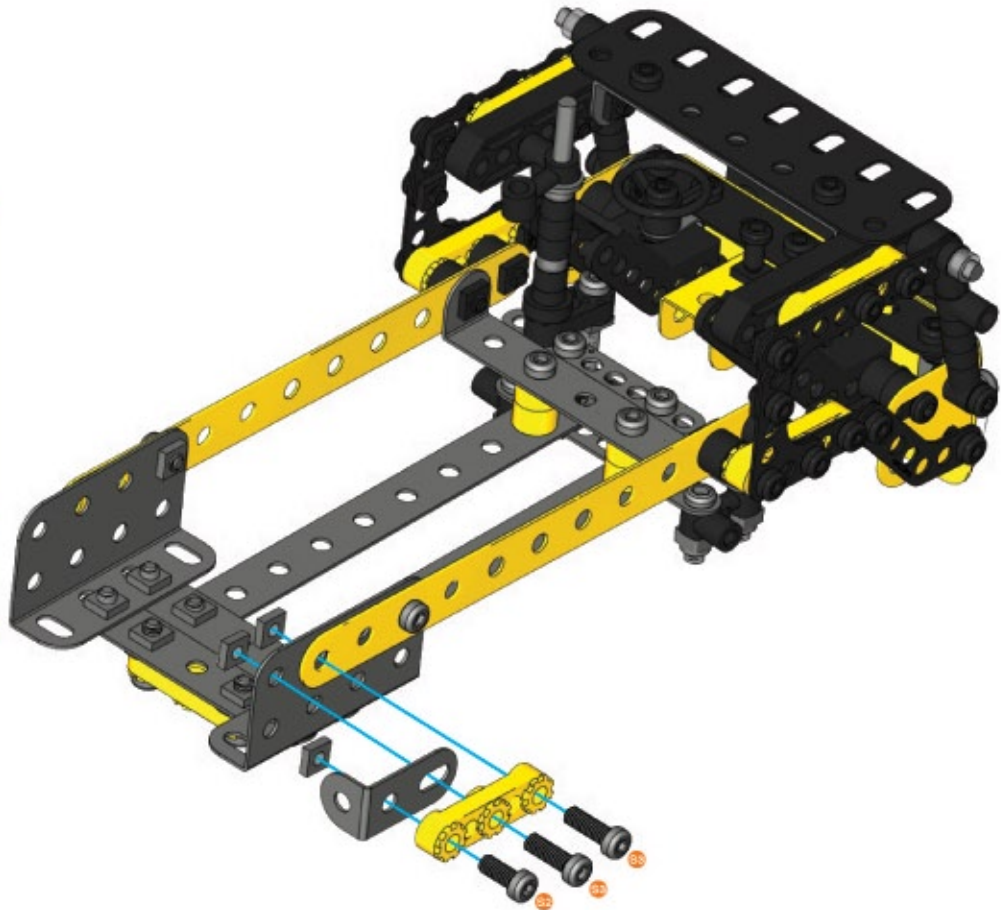
 **S1** | **1:1**



56

 | **A512 (00128) X1**
 | **A420 (02605) X1**
 9,5mm
 3/8" | **A511 (01101) X1**
 12mm
 1/2" | **A411 (01101) X2**
 | **A337 (00378) X3**

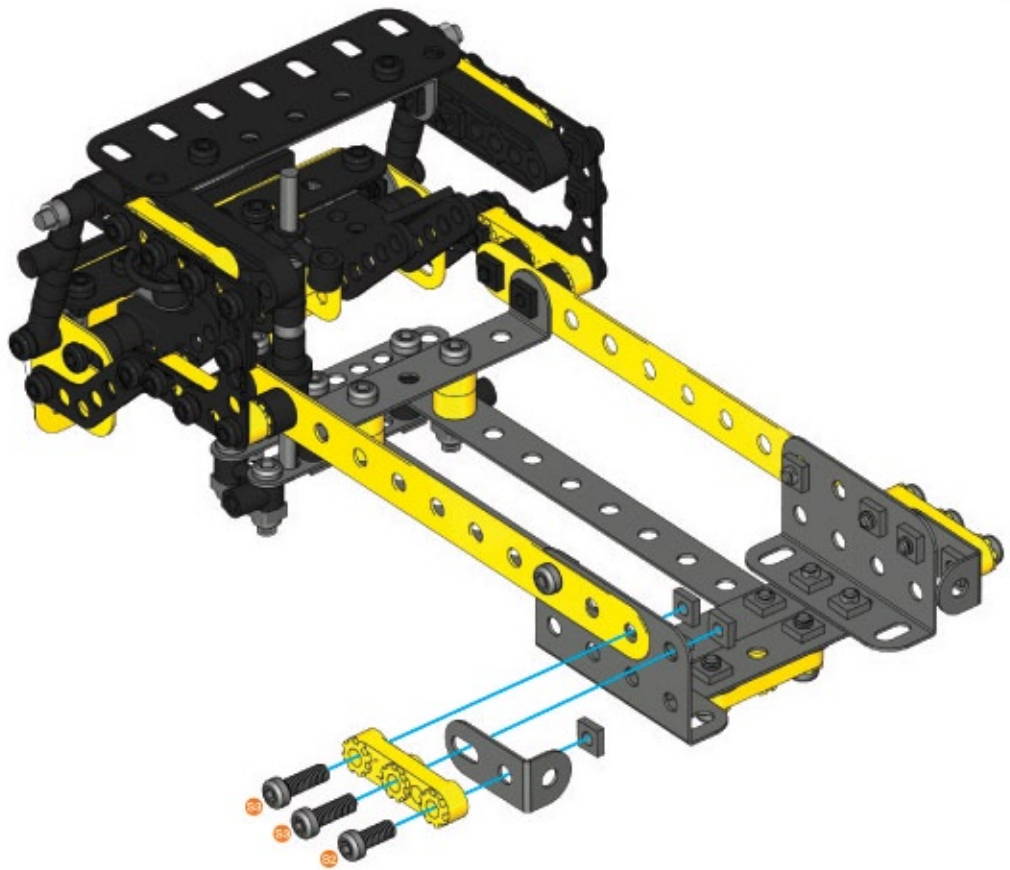
 **S3**
 **S2** | **1:1**



57

-  **A512 (00120) X1**
-  **A420 (02600) X1**
-  **A511 (00110) X1**
-  **A411 (00100) X2**
-  **A337 (00330) X3**

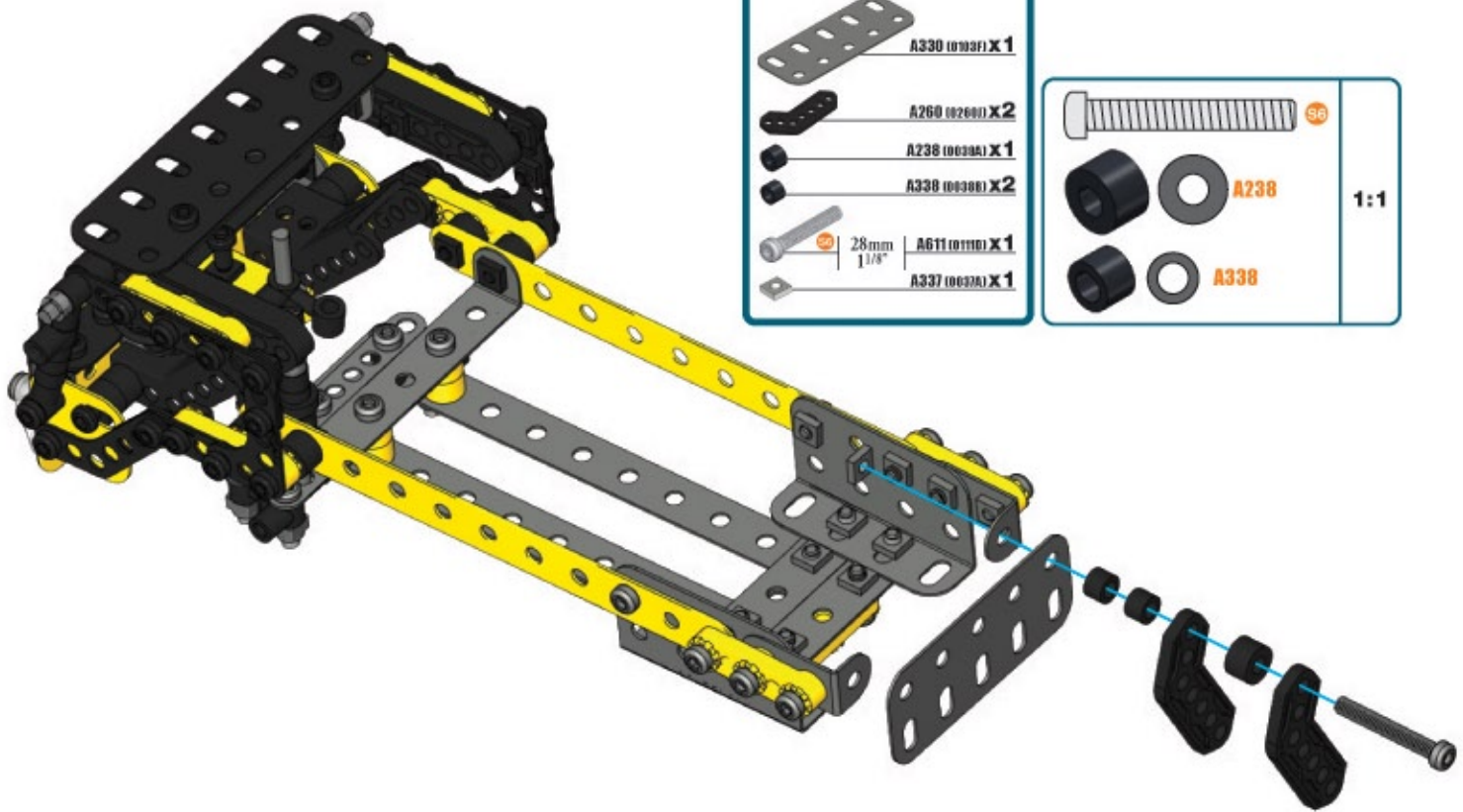
- | | | |
|---|-----------|------------|
|  | 93 | 1:1 |
|  | 92 | |



58

-  **A330 (00300) X1**
-  **A260 (02600) X2**
-  **A238 (00380) X1**
-  **A338 (00380) X2**
-  **A611 (00110) X1**
-  **A337 (00330) X1**

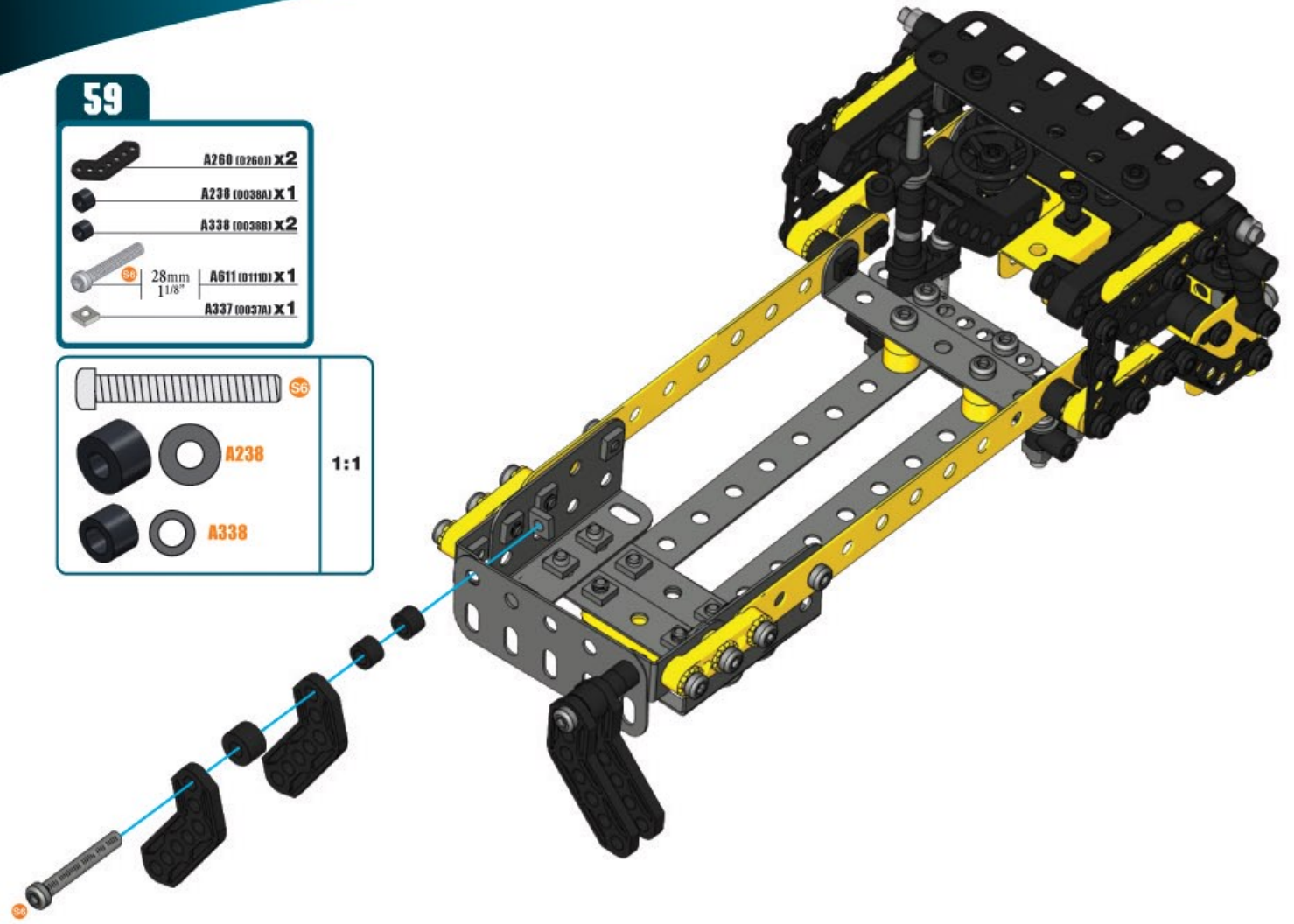
- | | | |
|---|-------------|------------|
|  | 96 | 1:1 |
|  | A238 | |
|  | A338 | |



59

-  **A260 (0260) X2**
-  **A238 (0038A) X1**
-  **A338 (0038B) X2**
-  **A611 (0111D) X1**
-  **A337 (0037A) X1**

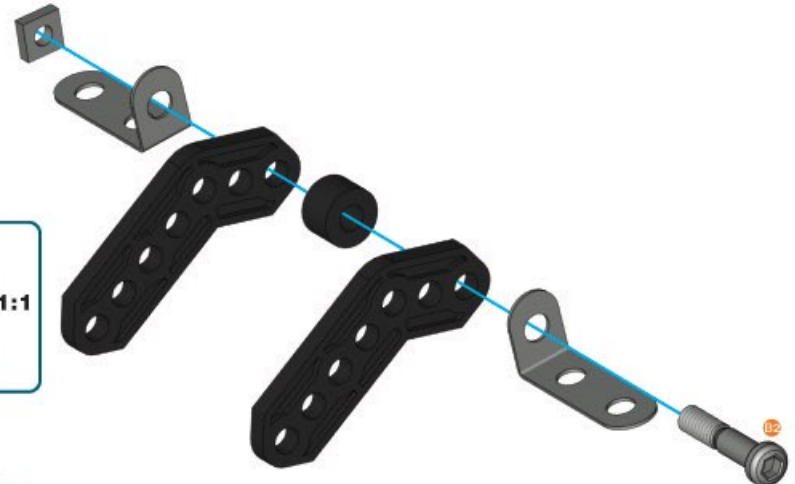
-  **S6**
 -  **A238**
 -  **A338**
- 1:1**



60

-  **A812 (0012B) X2**
-  **A260 (0260) X2**
-  **A238 (0038A) X1**
-  **A447 (0147F) X1**
-  **A337 (0037A) X1**

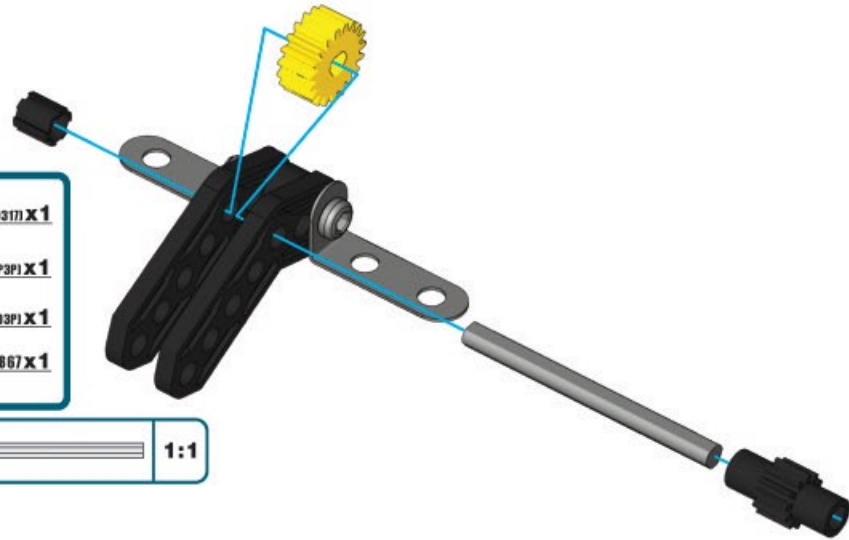
-  **B2**
 -  **A238**
- 1:1**

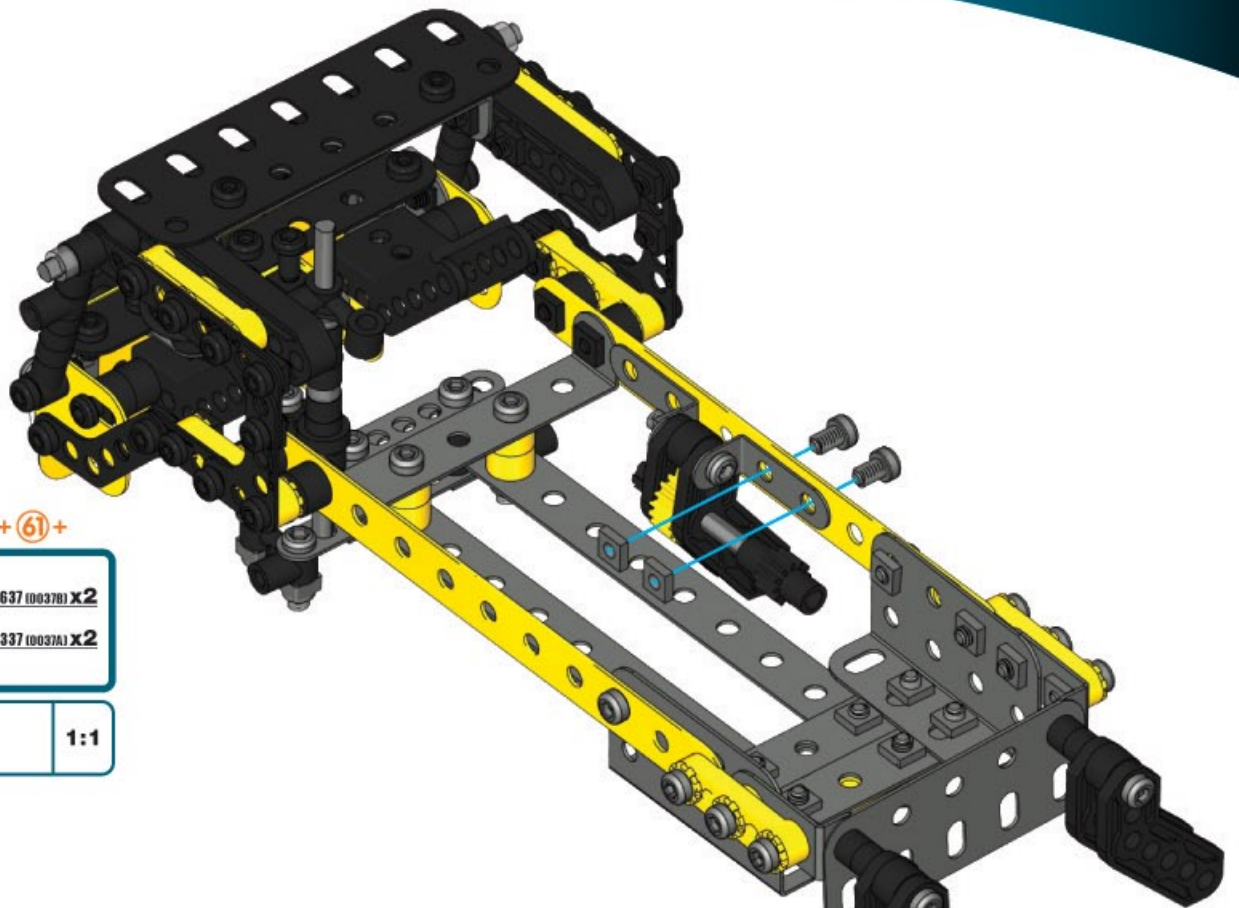


61

-  **A317 (0317) X1**
-  **A326 (026P3P) X1**
-  **A313 (0213D3P) X1**
-  **C867 X1**

-  **1:1**





62 59+ 61+

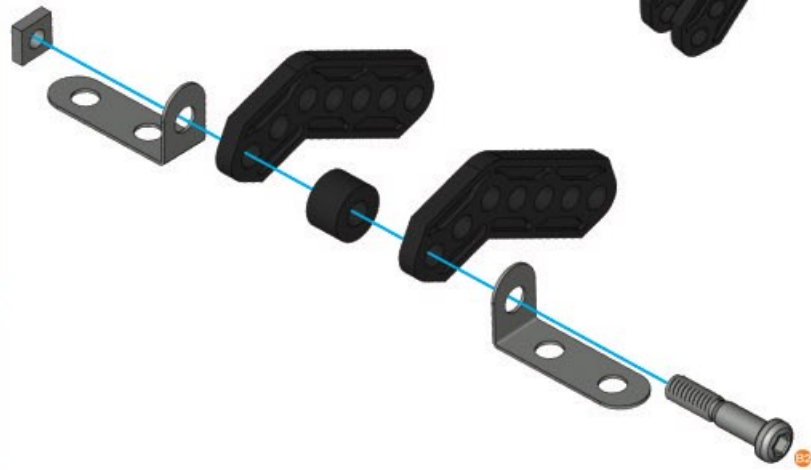
	5,8mm 1/4"	A637 (0037B) X2
		A337 (0037A) X2

	S1	1:1
---	-----------	------------

63

		A812 (0812B) X2
		A260 (0260) X2
		A238 (0038A) X1
	19mm 3/4"	A447 (0147F) X1
		A337 (0037A) X1

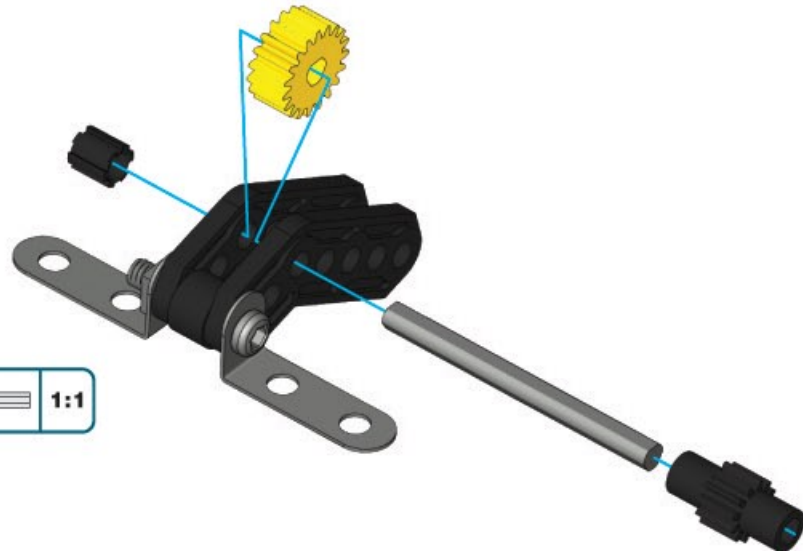
	B2	1:1
	A238	



64

	50mm 2"	A317 (0317) X1
		A326 (026P3P1) X1
		A313 (021303P1) X1
		C867 X1

	1:1
---	------------



65

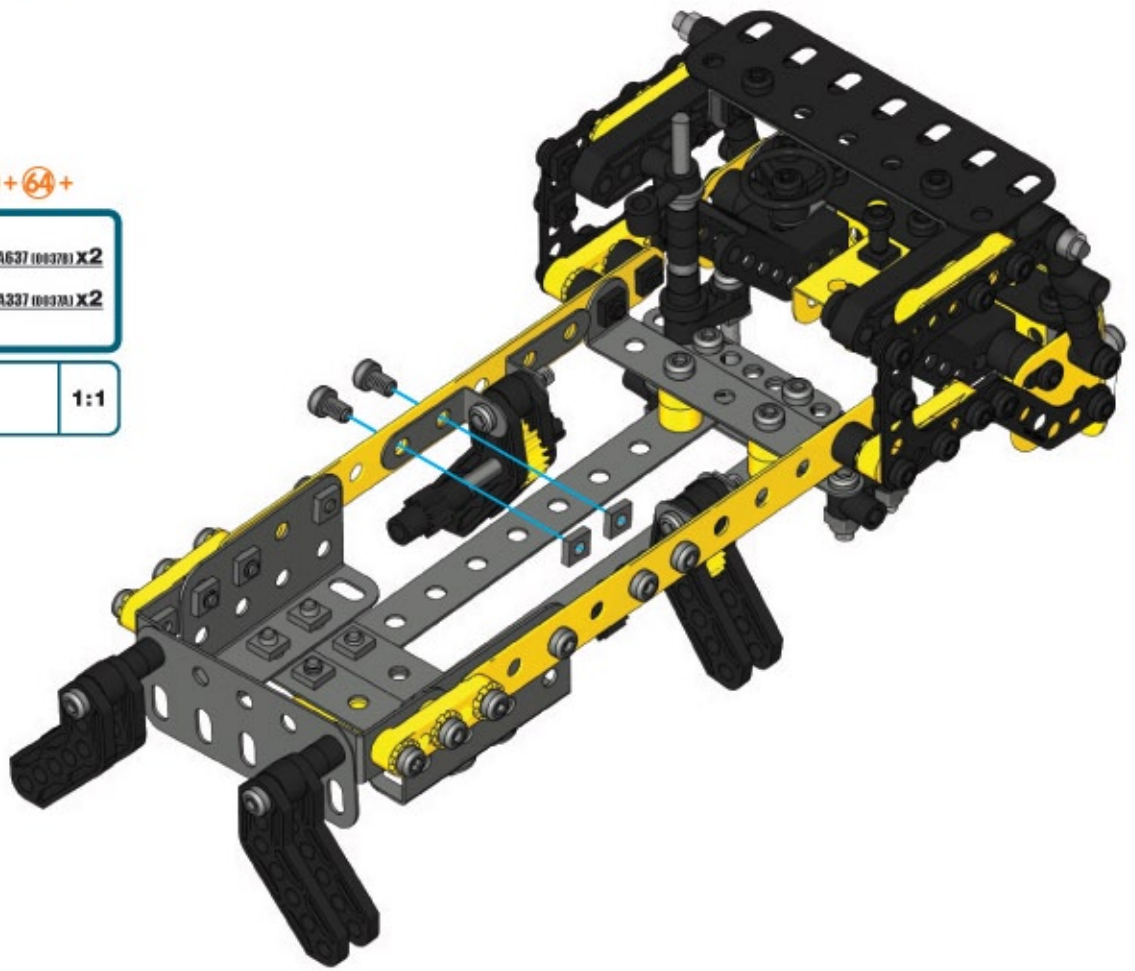
62 + 64 +

5,8mm | A637 (00370) X2
15/64"
A337 (00370) X2



51

1:1

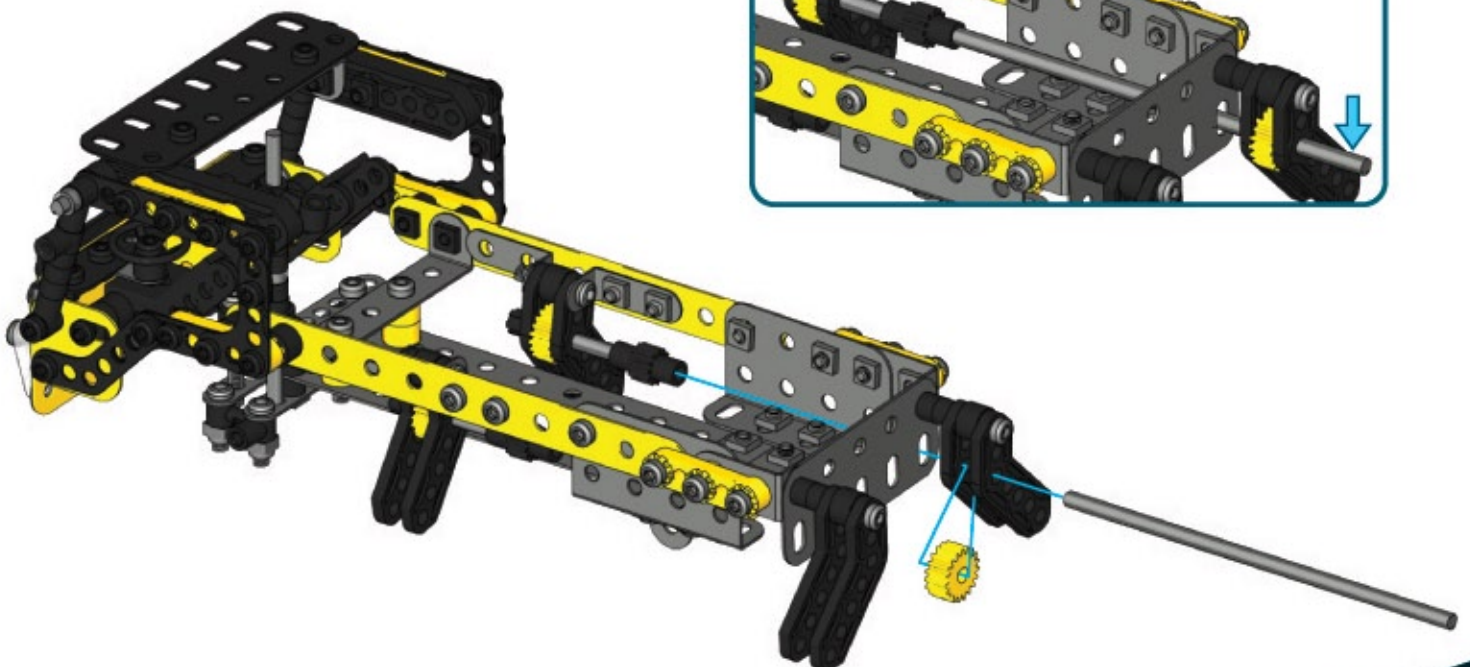
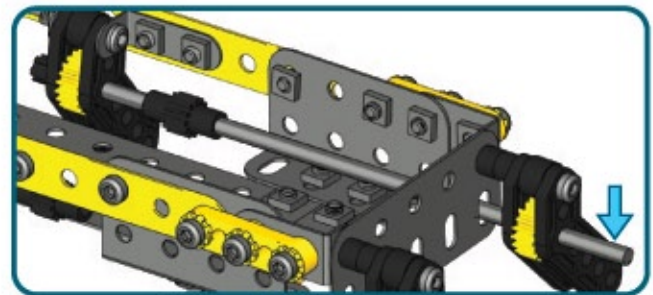


66

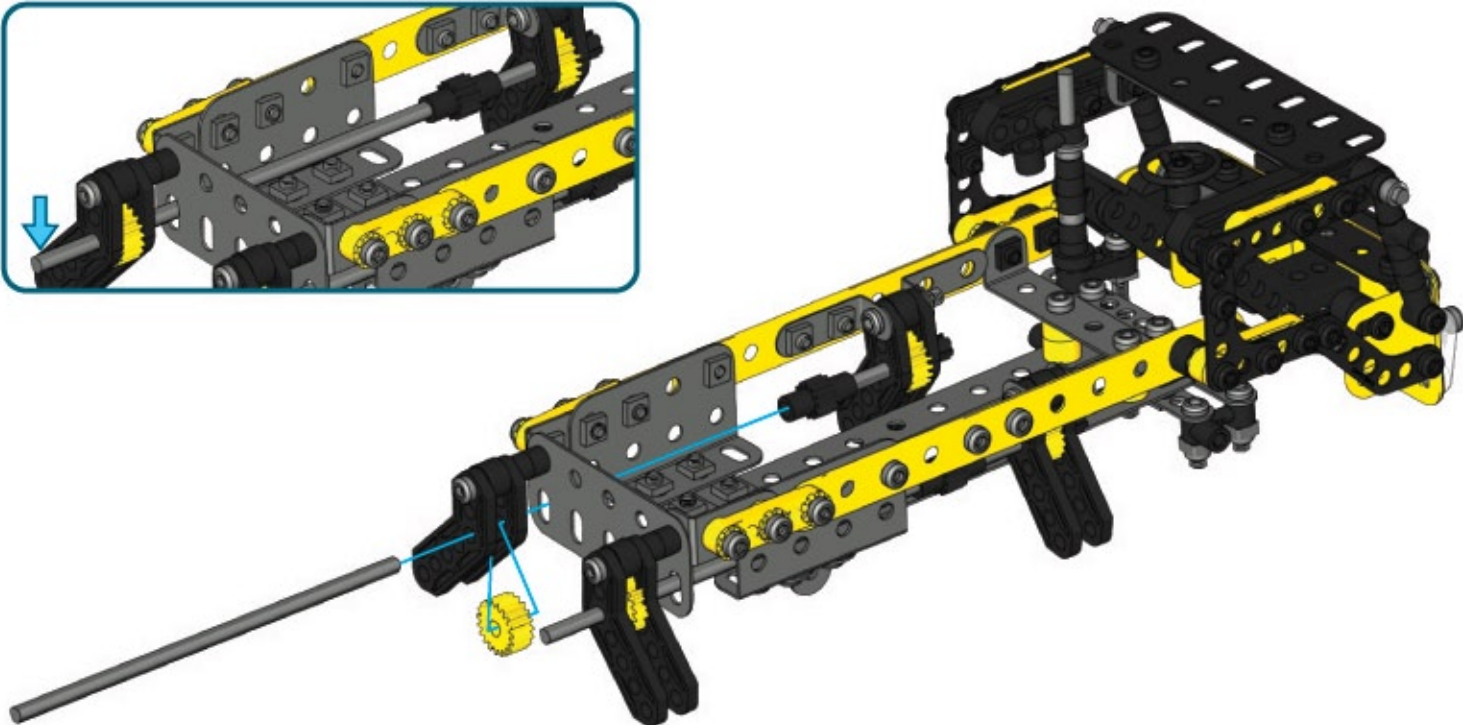
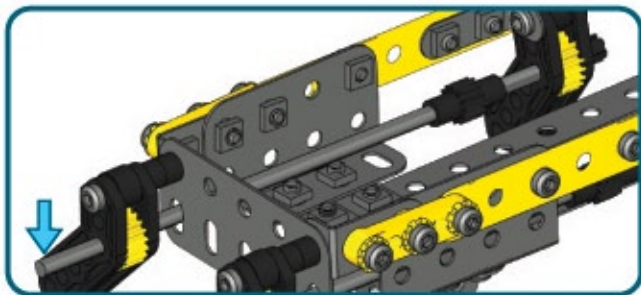
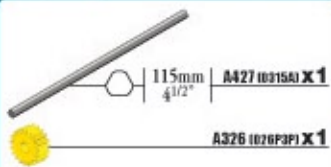
115mm | A427 (00150) X1
4 1/2"

A326 (02090) X1

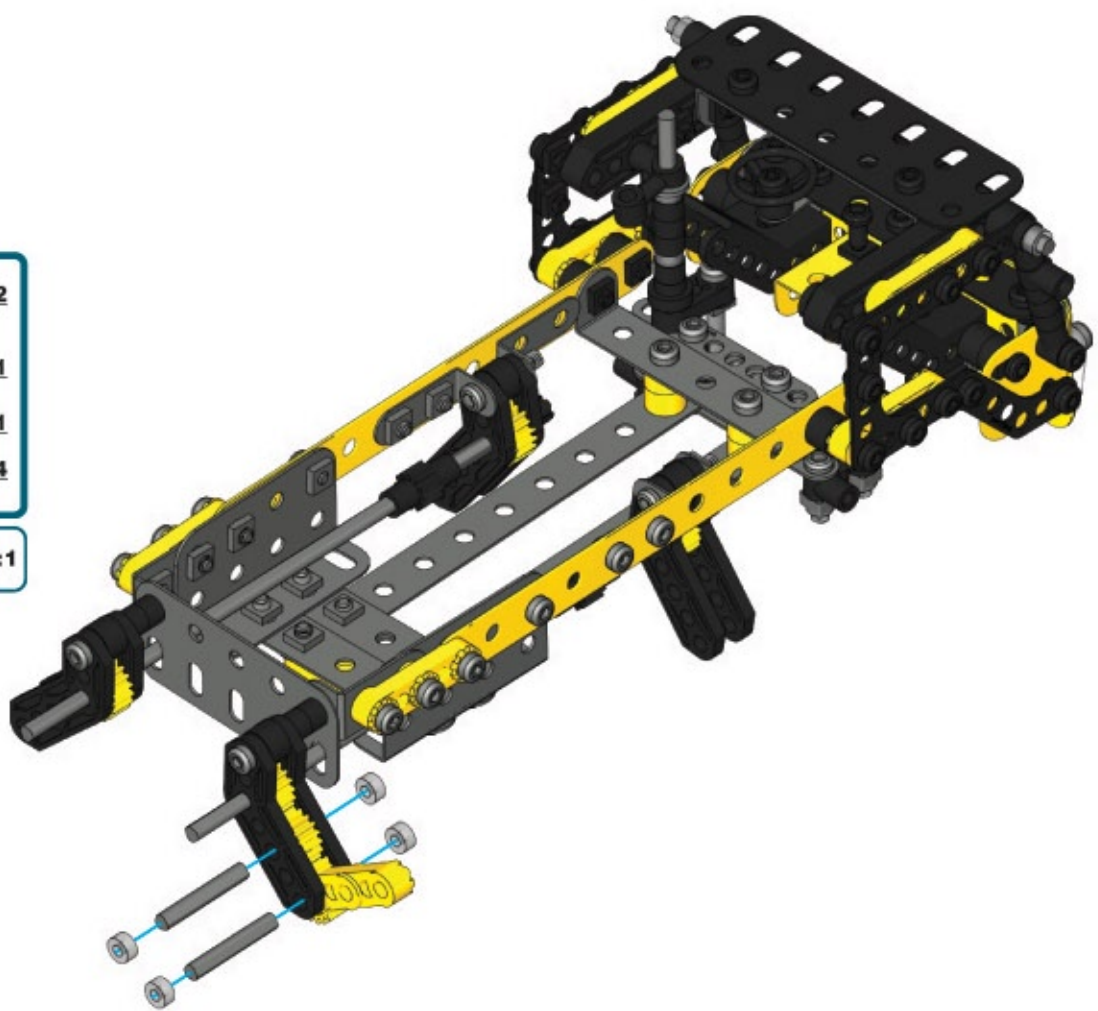
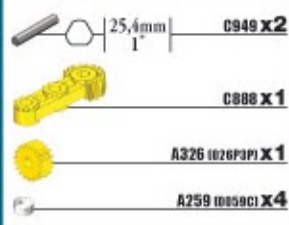
1:1







67



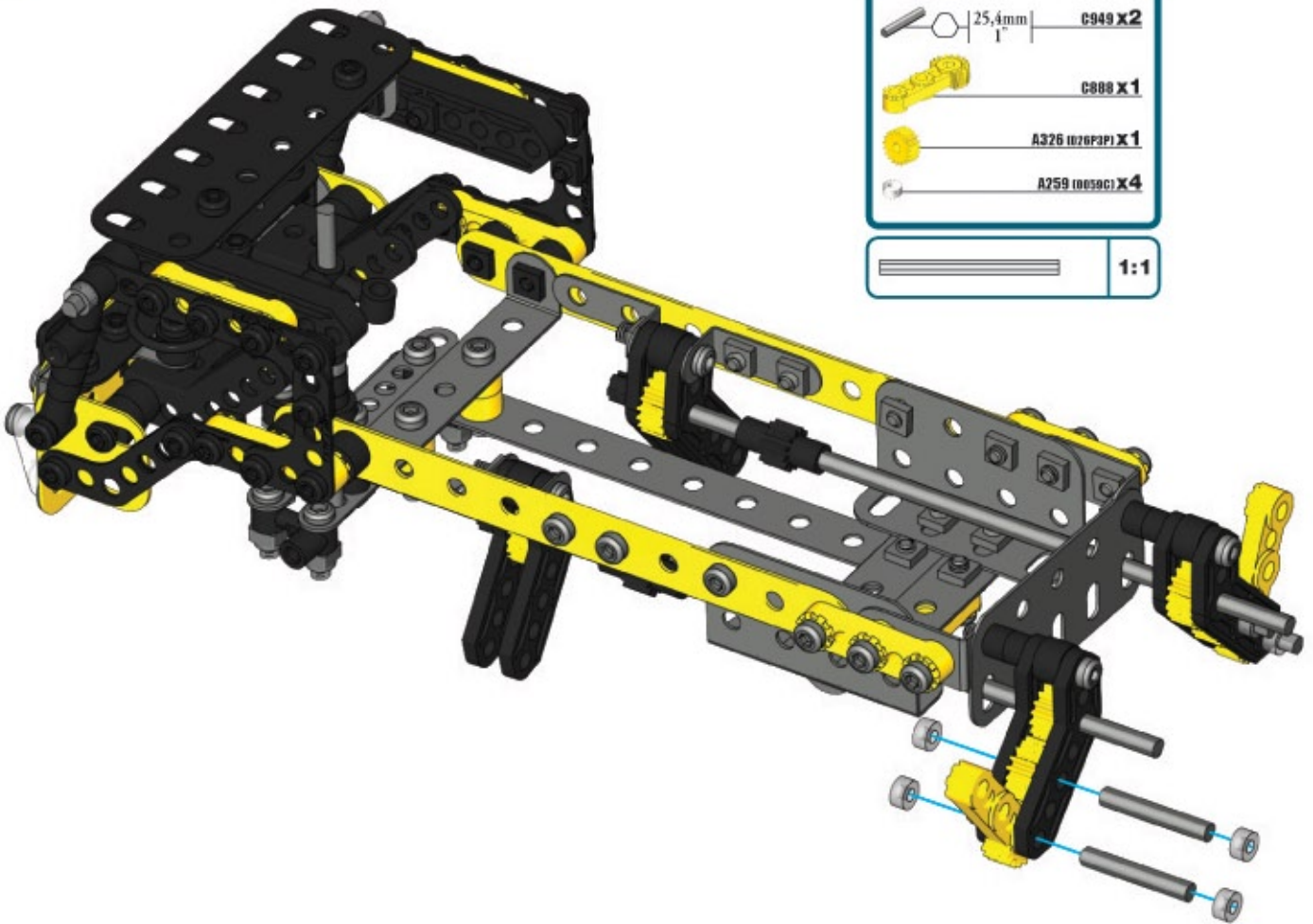
68







69

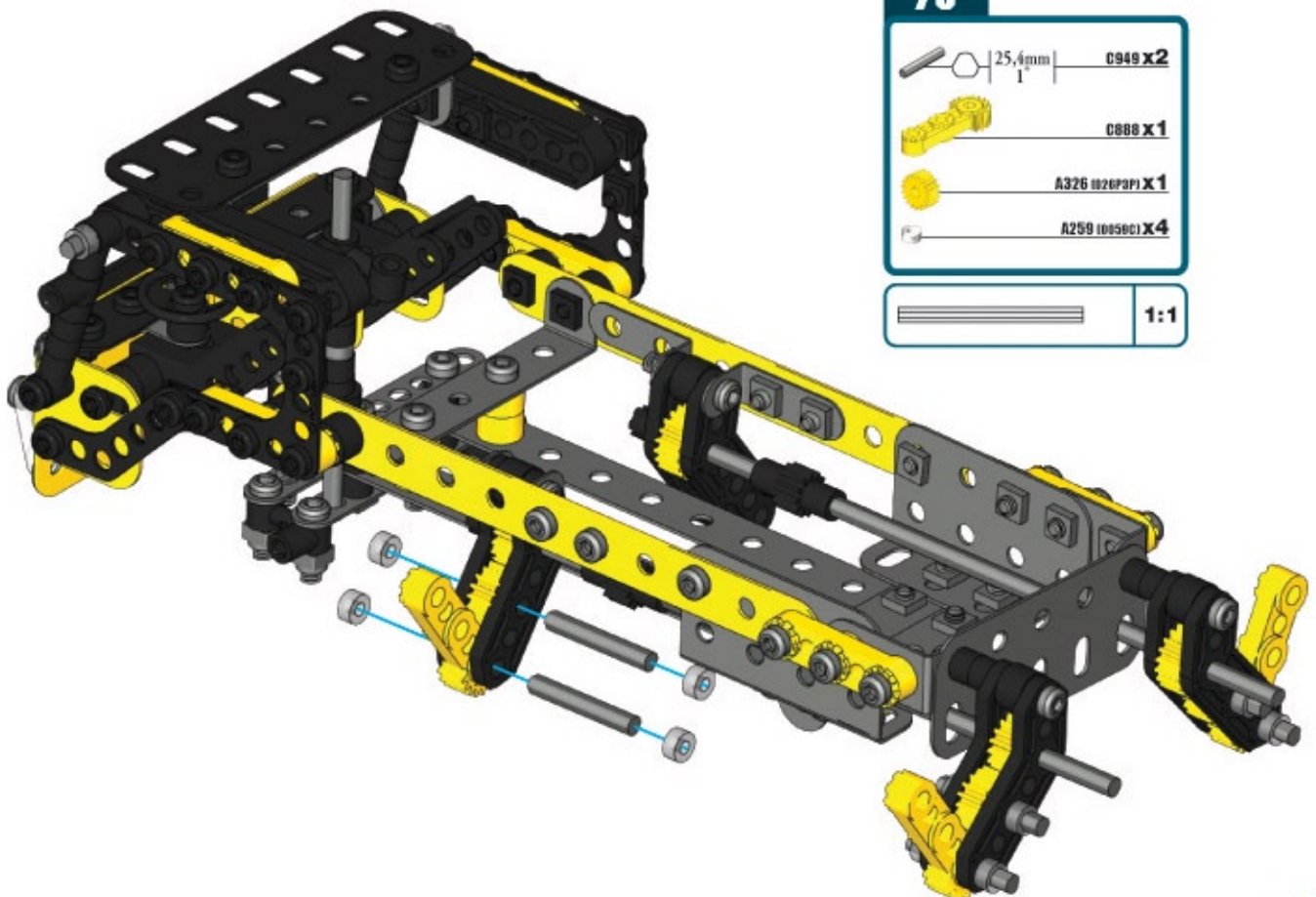
-  25,4mm | **C949 x2**
-  **C888 x1**
-  **A326 (026P3P1) x1**
-  **A259 (0050C1) x4**

	1:1
---	------------






**70**

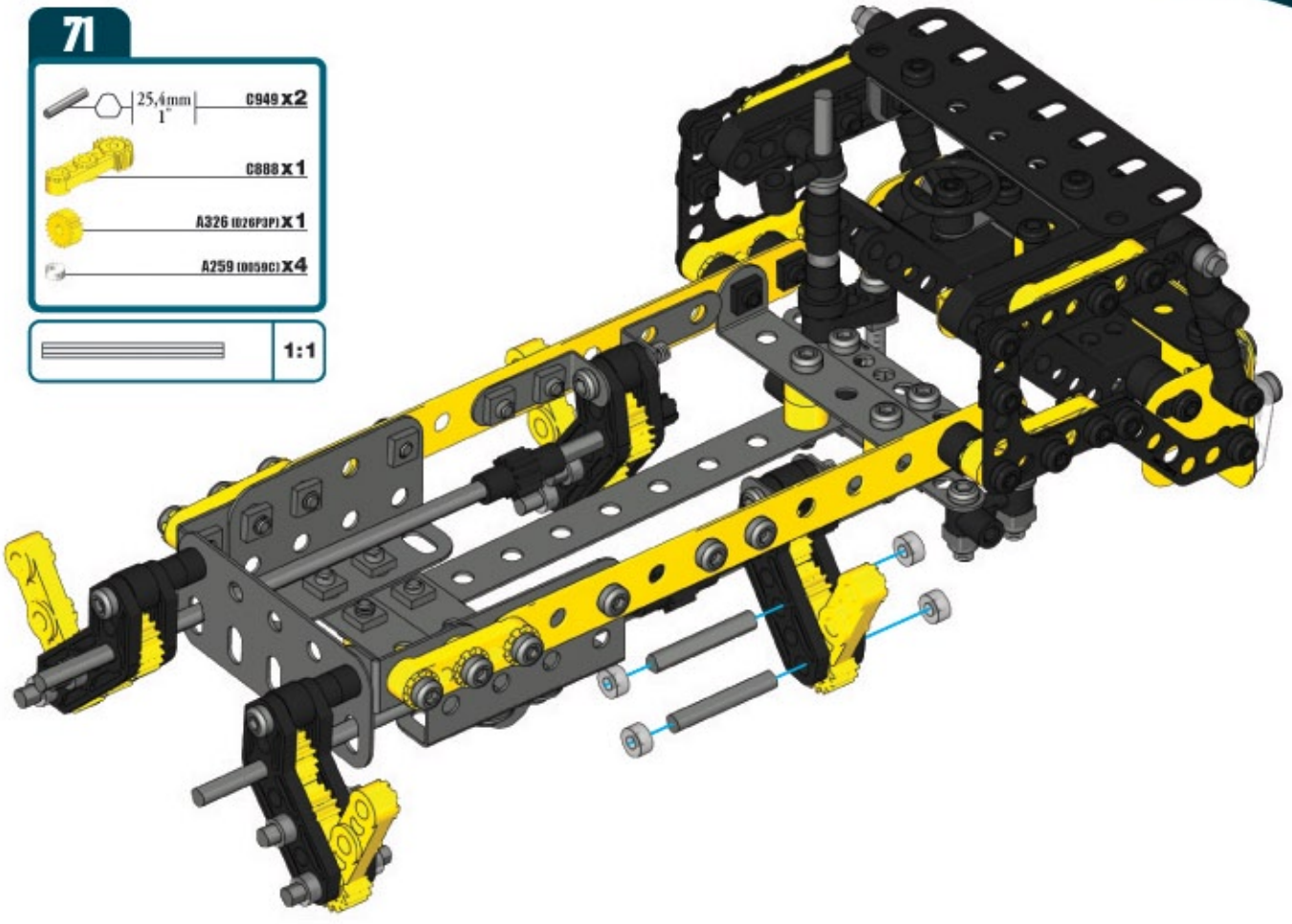
-  25,4mm | **C949 x2**
-  **C888 x1**
-  **A326 (026P3P1) x1**
-  **A259 (0050C1) x4**

	1:1
--	------------



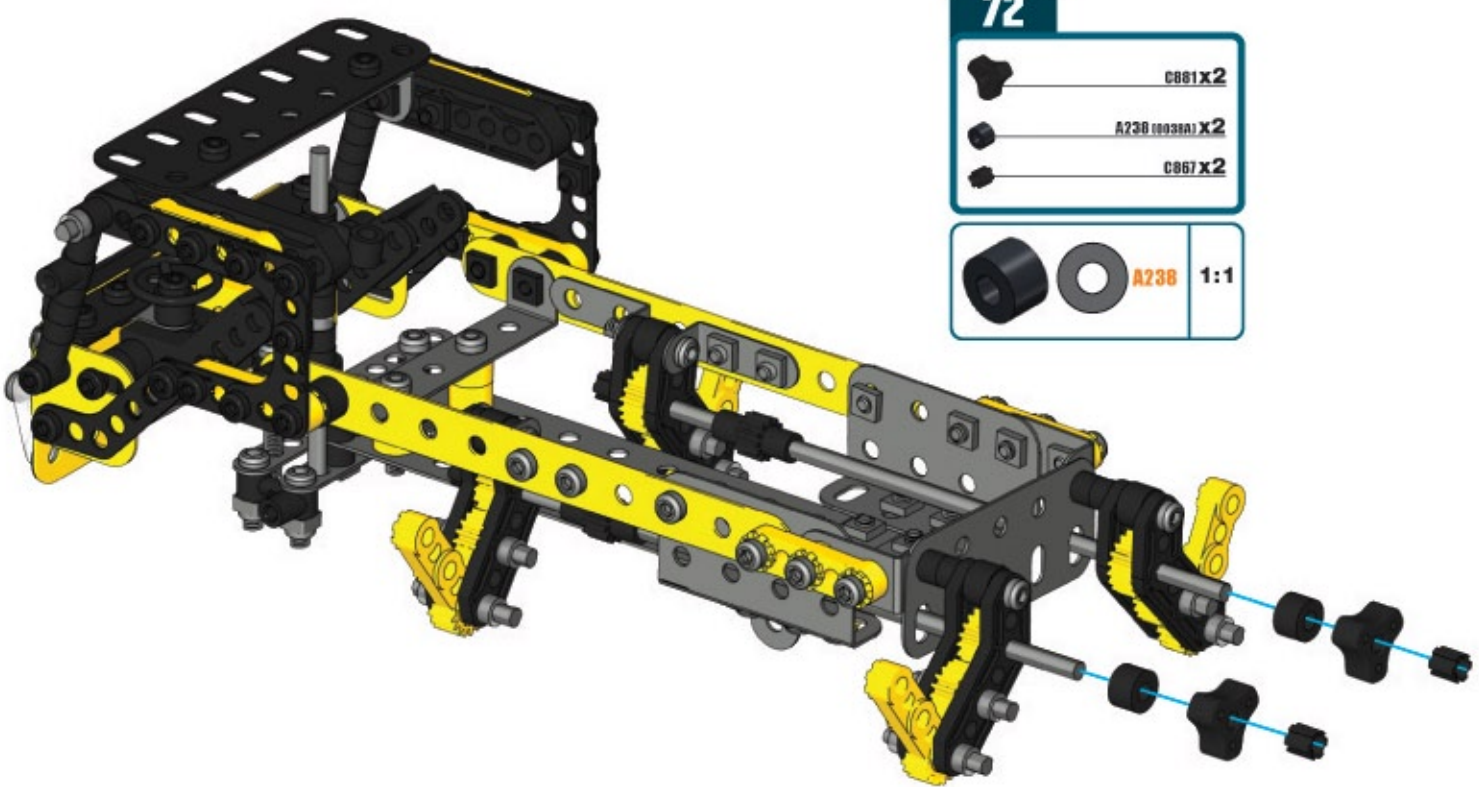
71

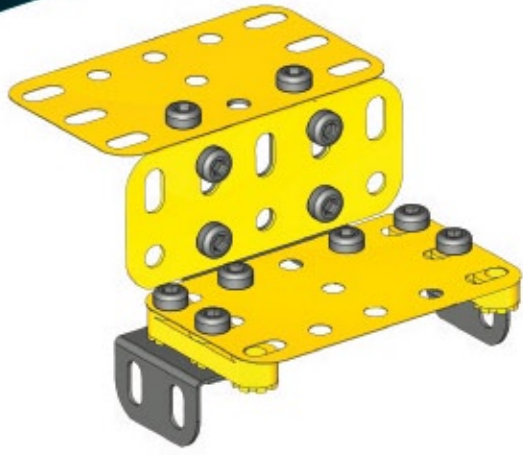
	25,4mm	C949 x2
		C888 x1
		A326 (1026PAP) x1
		A259 (10059C) x4
		1:1



72


	C881 x2	
	A238 (10038A) x2	
	C867 x2	
		A238 1:1

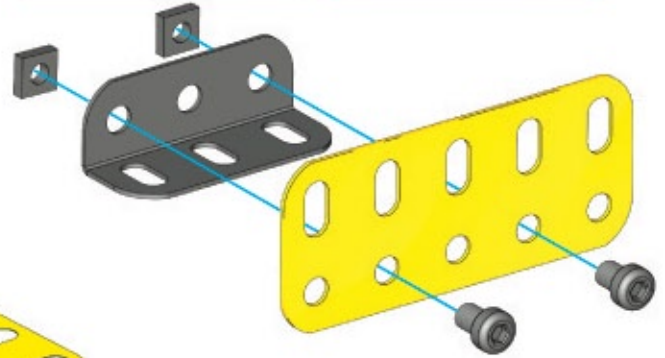




73

- A300 (01037) X1
- A109 (00087) X1
- 5,8mm 15/64" A637 (00378) X2
- A337 (0037A) X2

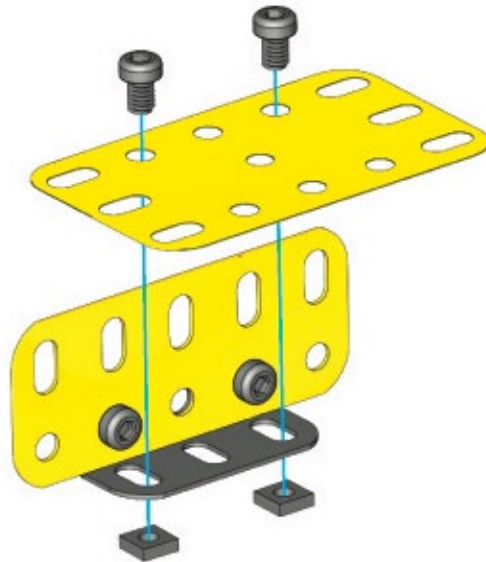
	S1	1:1
---	----	-----



74


- A520 (0100) X1
- 5,8mm 15/64" A637 (00378) X2
- A337 (0037A) X2

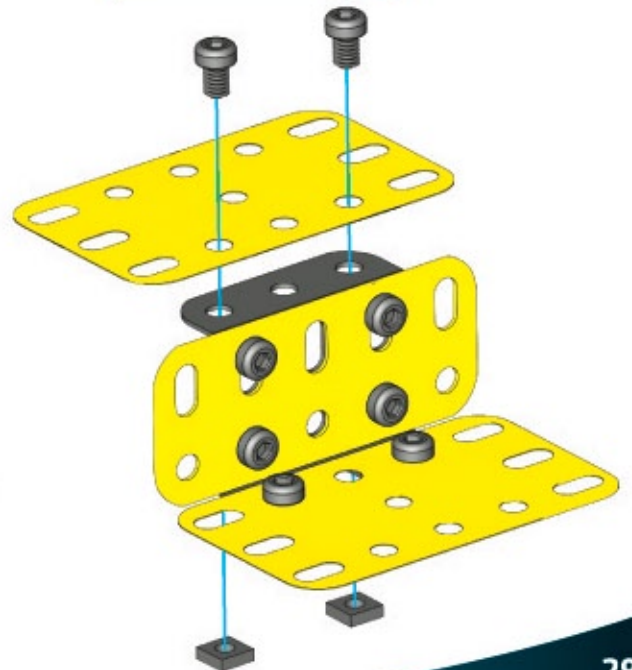
	S1	1:1
---	----	-----



76


- A520 (0100) X1
- 5,8mm 15/64" A637 (00378) X2
- A337 (0037A) X2

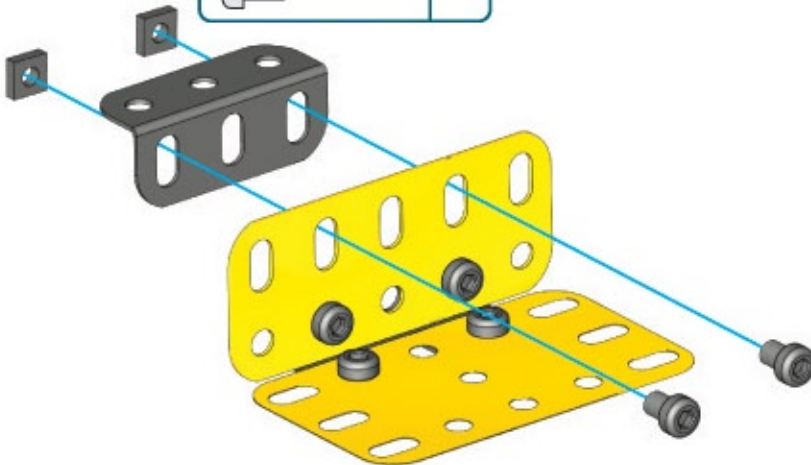
	S1	1:1
---	----	-----

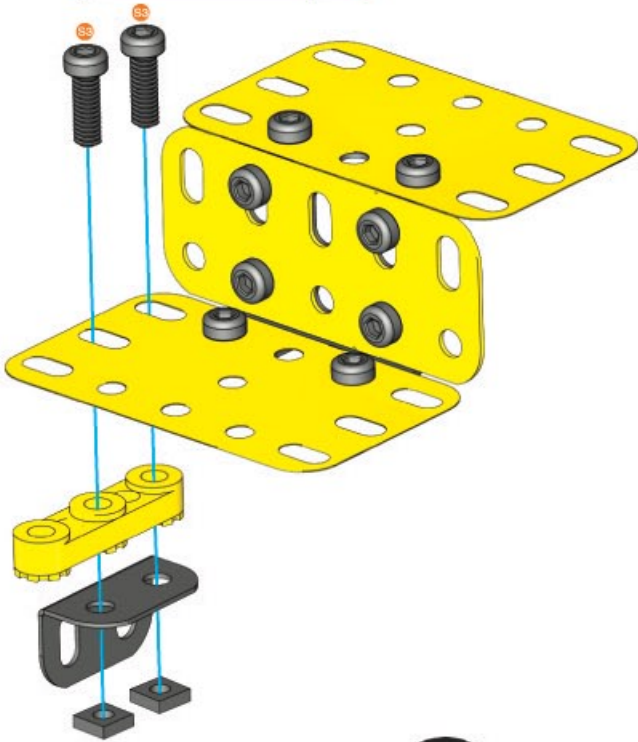
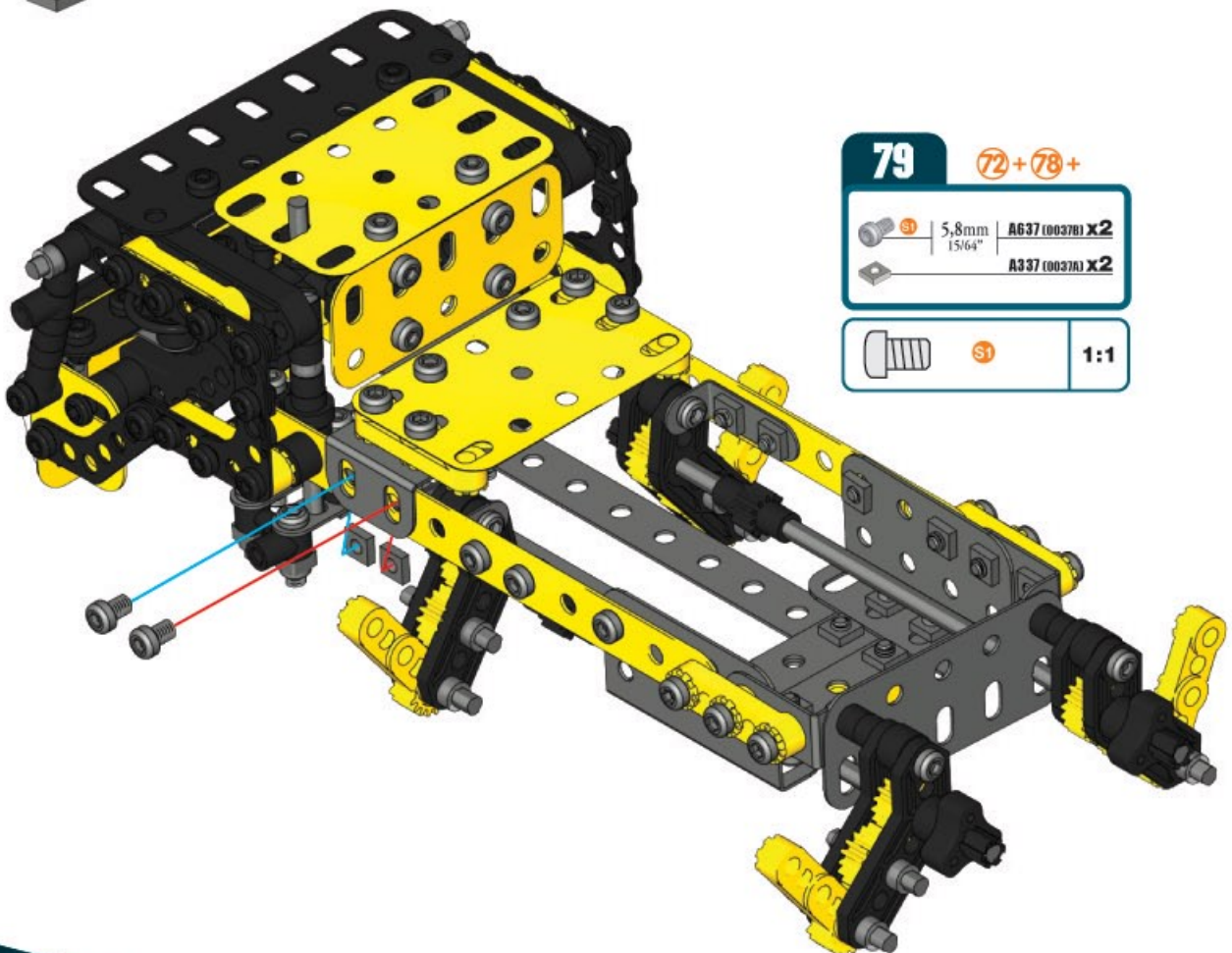
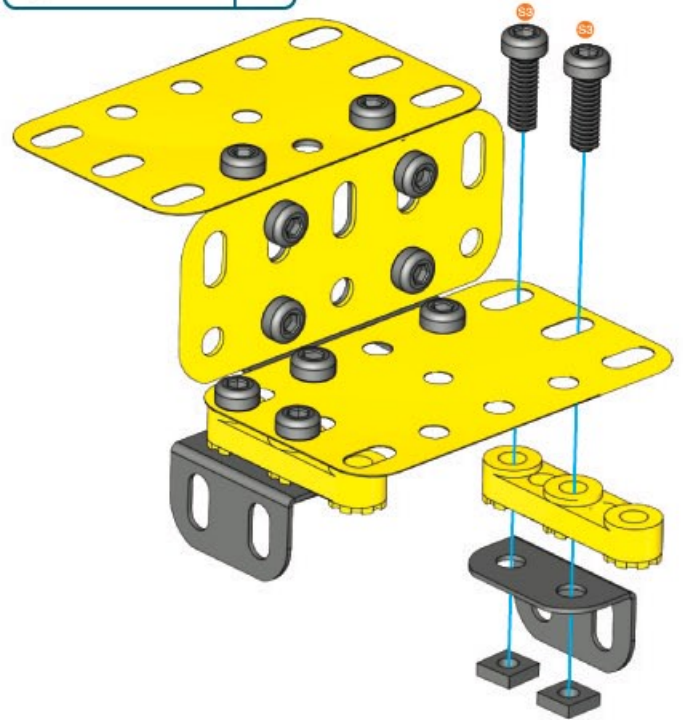


75



- A109 (00087) X1
- 5,8mm 15/64" A637 (00378) X2
- A337 (0037A) X2

	S1	1:1
---	----	-----

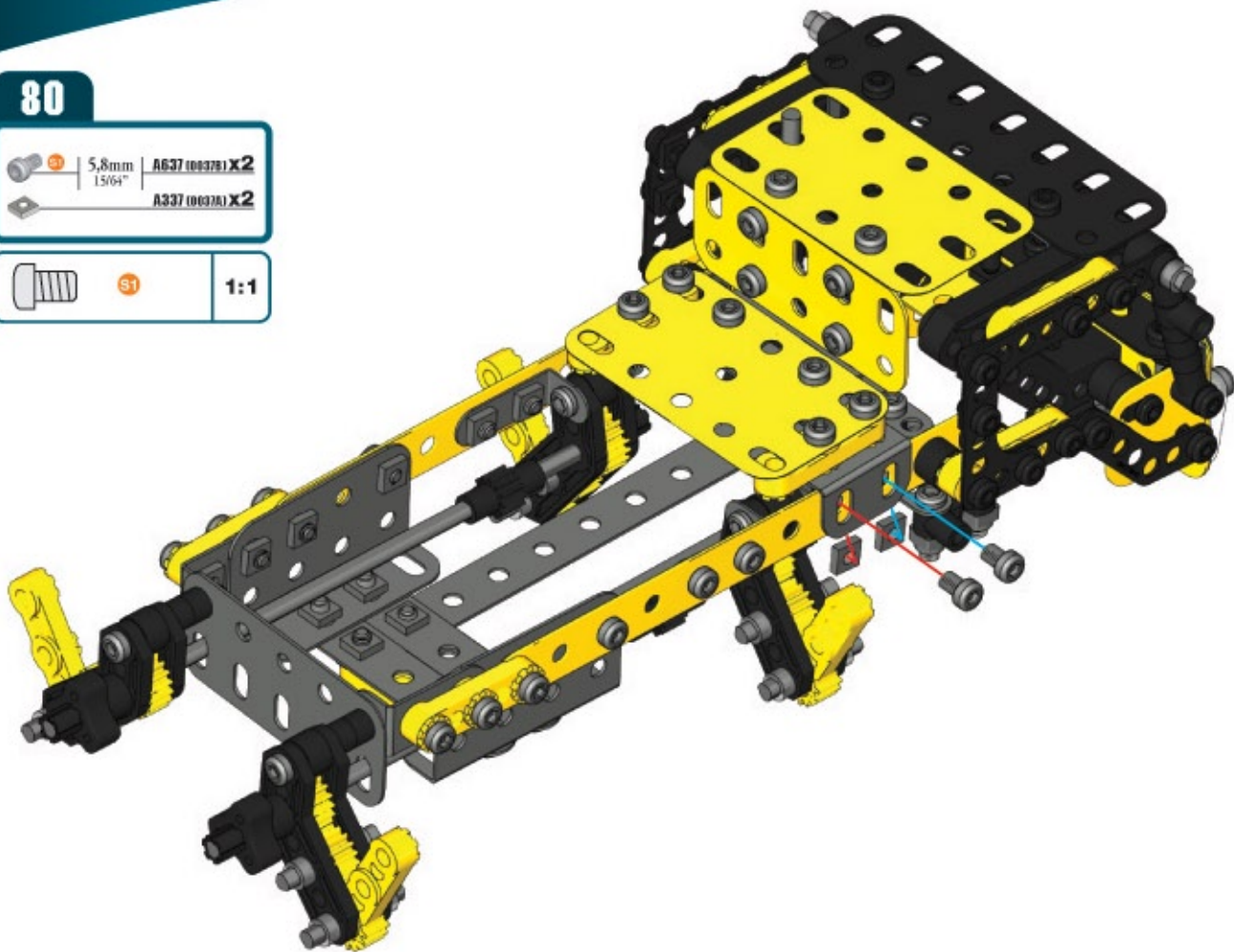


77**A309 (0009L) x1****A420 (0260C) x1****12mm
1/2" | A411 (0111A) x2****A337 (0037A) x2****1:1****78****A309 (0009L) x1****A420 (0260C) x1****12mm
1/2" | A411 (0111A) x2****A337 (0037A) x2****1:1****79****72+78+****5,8mm
15/64" | A637 (0037B) x2****A337 (0037A) x2****1:1**




80

 5.8mm
15/64" A637 (00378) X2
 A337 (00378) X2

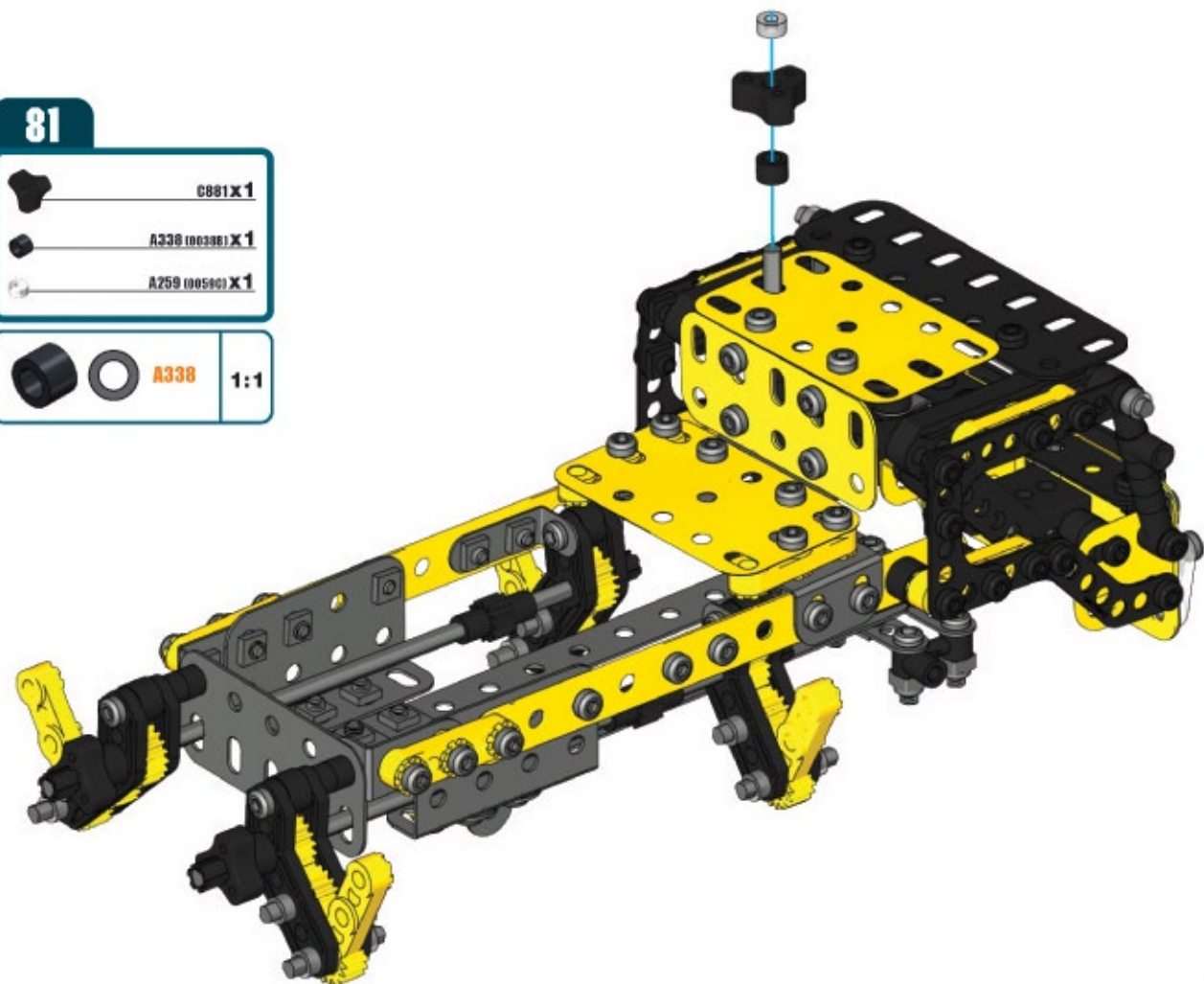
 S1 1:1



81

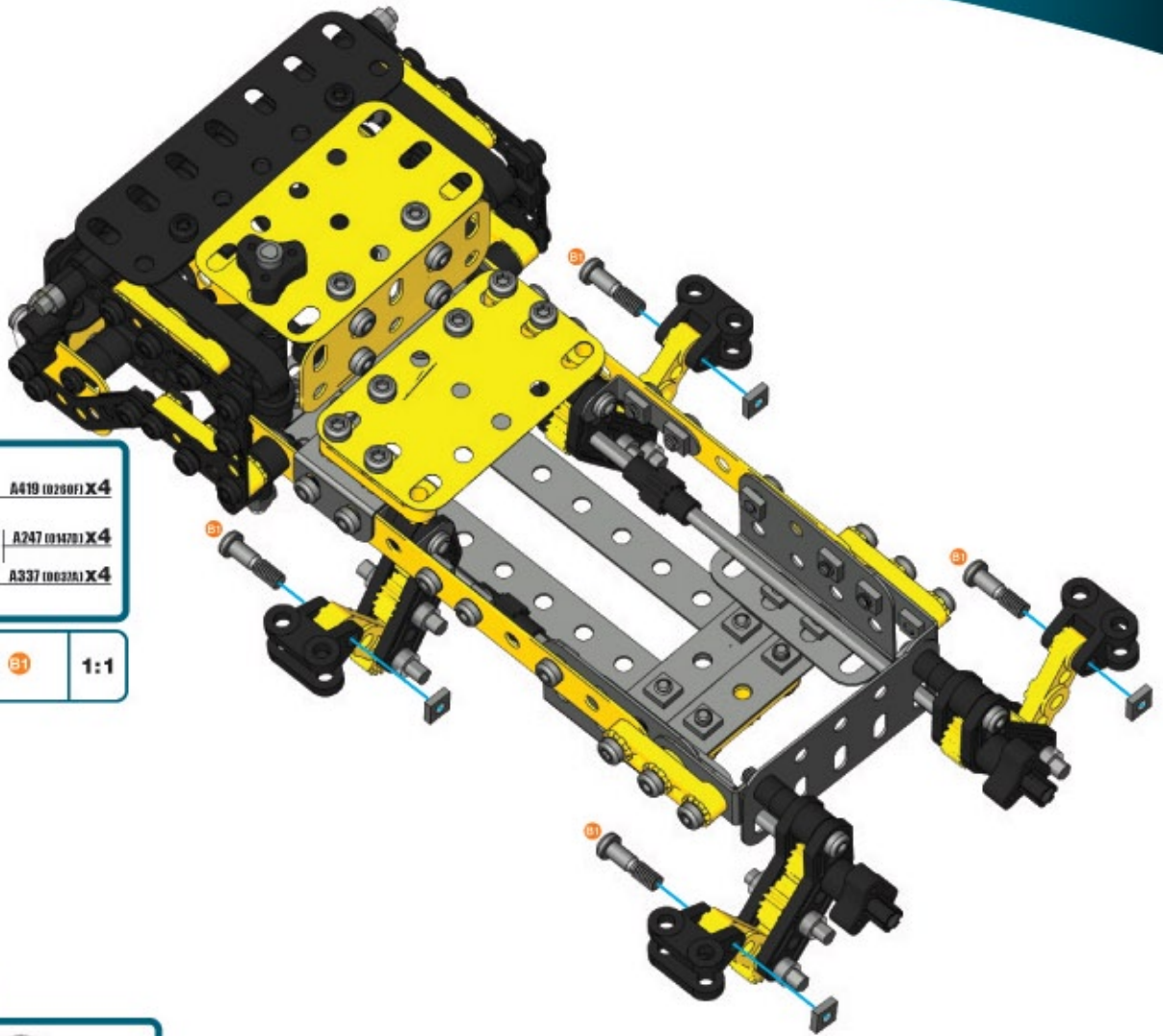
 C881 X1
 A338 (00388) X1
 A259 (00580) X1

 A338 1:1



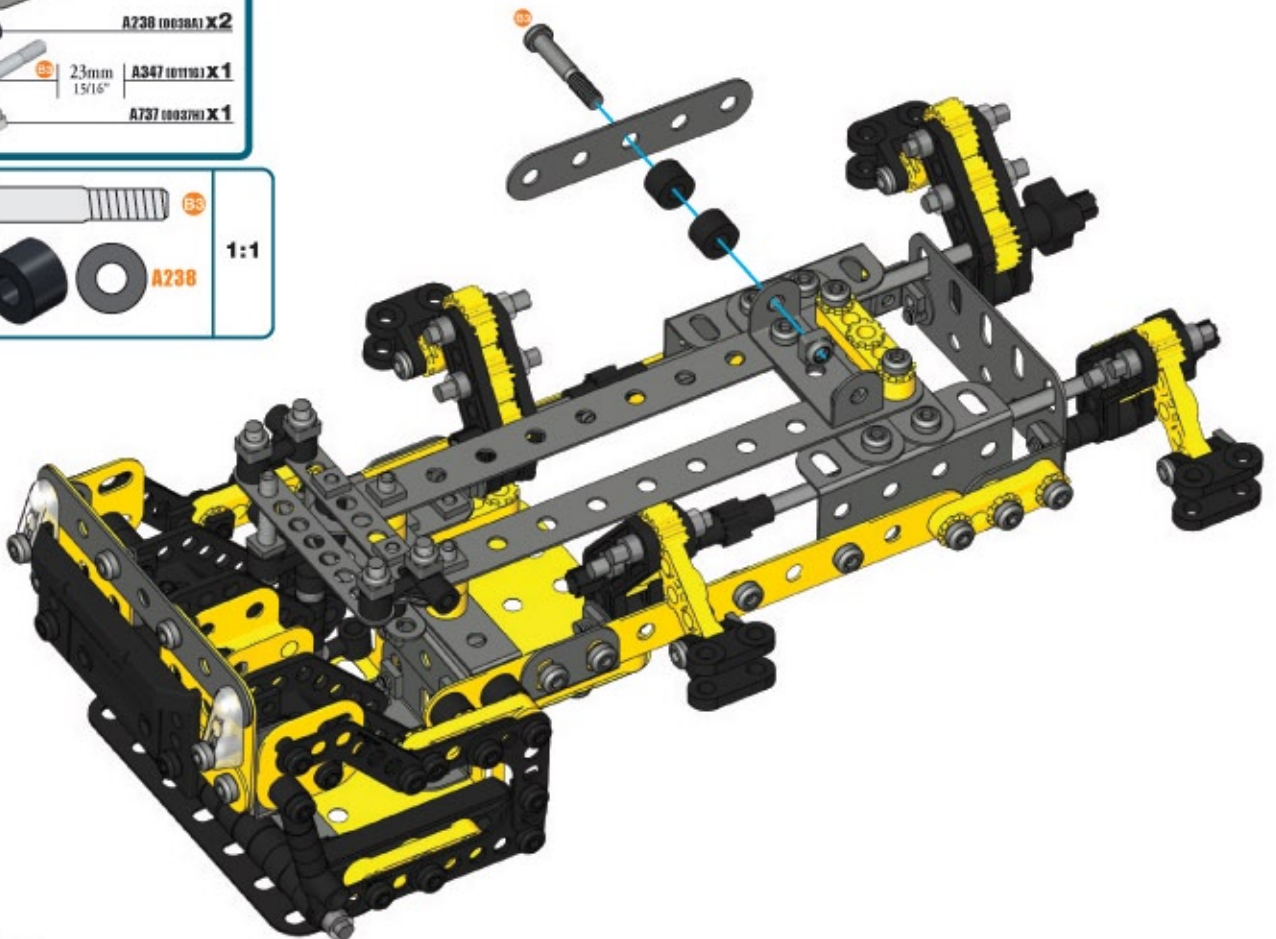
82

- A419 (02001) X4
- A247 (01420) X4
14,7mm
37/64"
- A337 (00221) X4



83

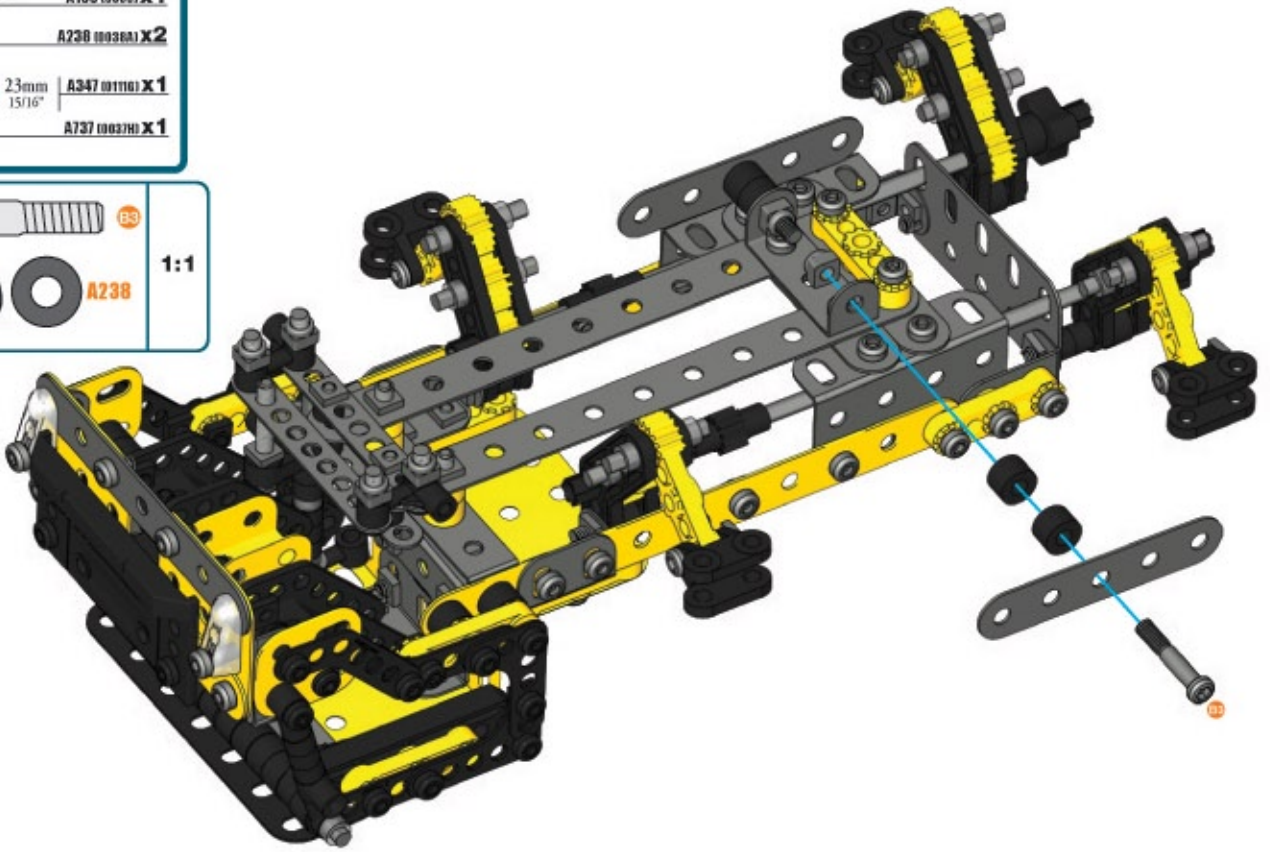
- A105 (00051) X1
- A238 (00281) X2
- A347 (01110) X1
23mm
15/16"
- A737 (00270) X1



84

- A105 (00051) X1
- A238 (00281) X2
- A347 (01116) X1
23mm
1 5/16"
- A737 (00270) X1

- A238
- 1:1



85

- C877 X6
- C876 X6





x6

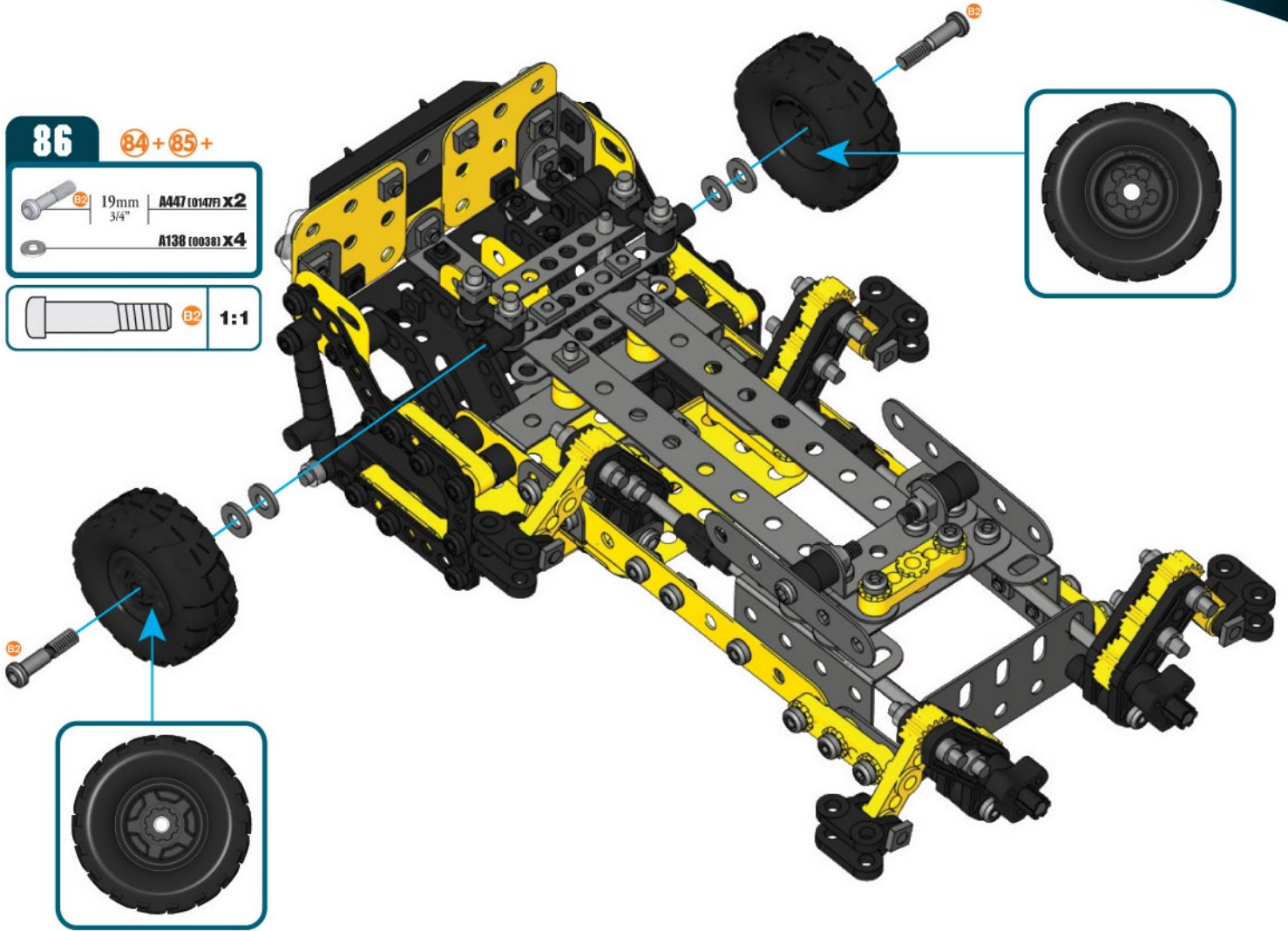


86

84 + 85 +




	19mm 3/4"	A447 (0147F) x2
		A138 (0038) x4

	1:1
--	-----

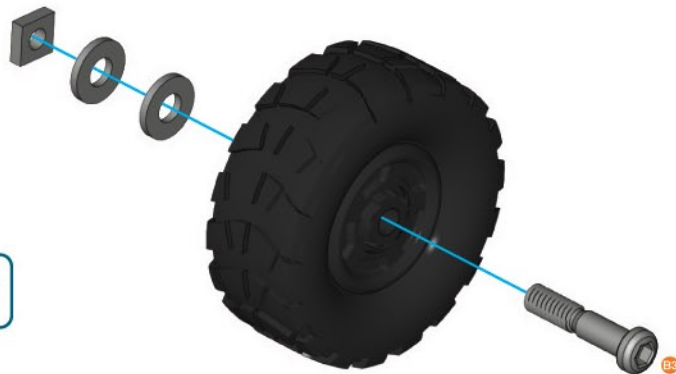


87

85 +

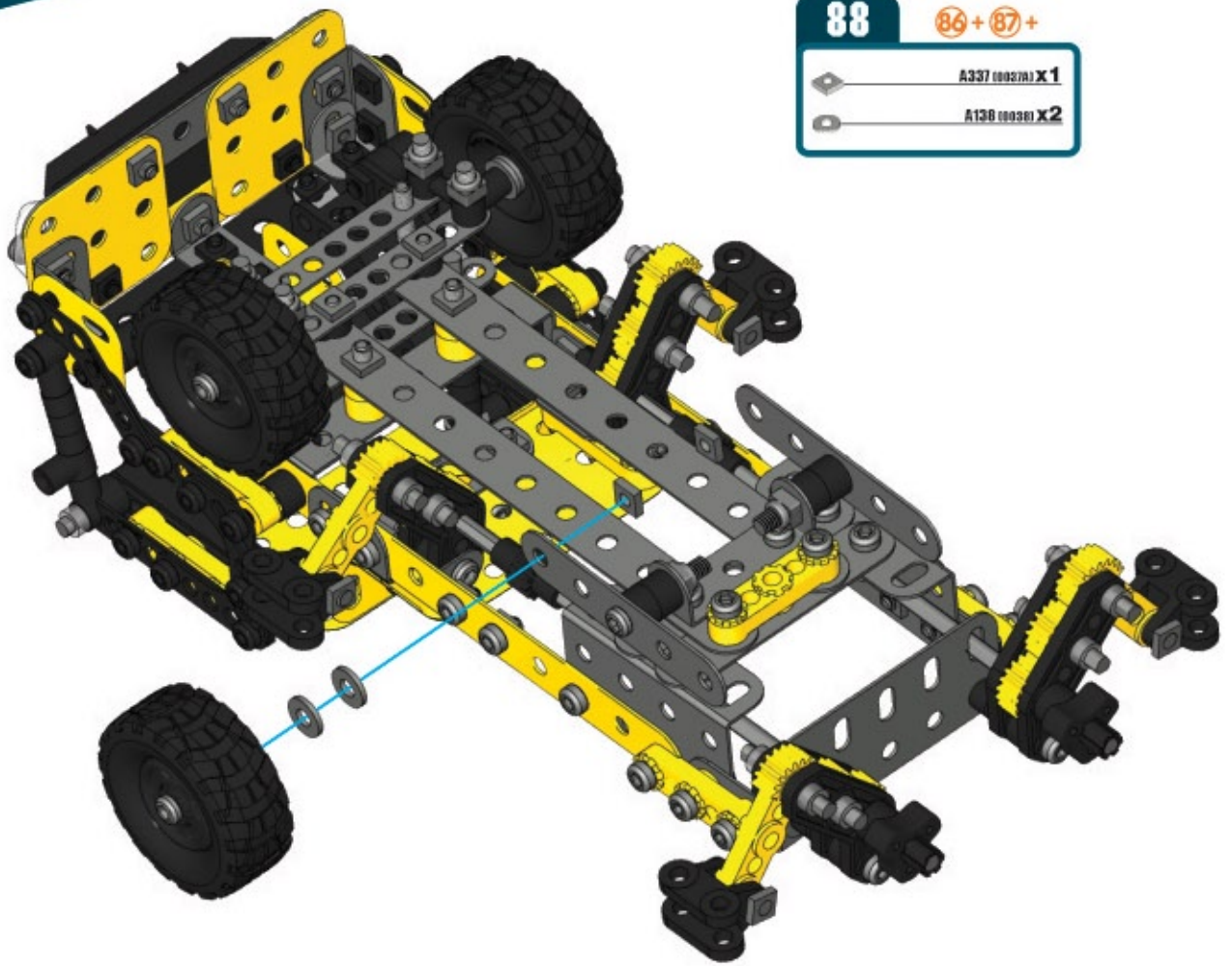
	23mm 15/16"	A347 (0111E) x4
		A337 (0037A) x4
		A138 (0038) x8

	1:1
---	-----





x4

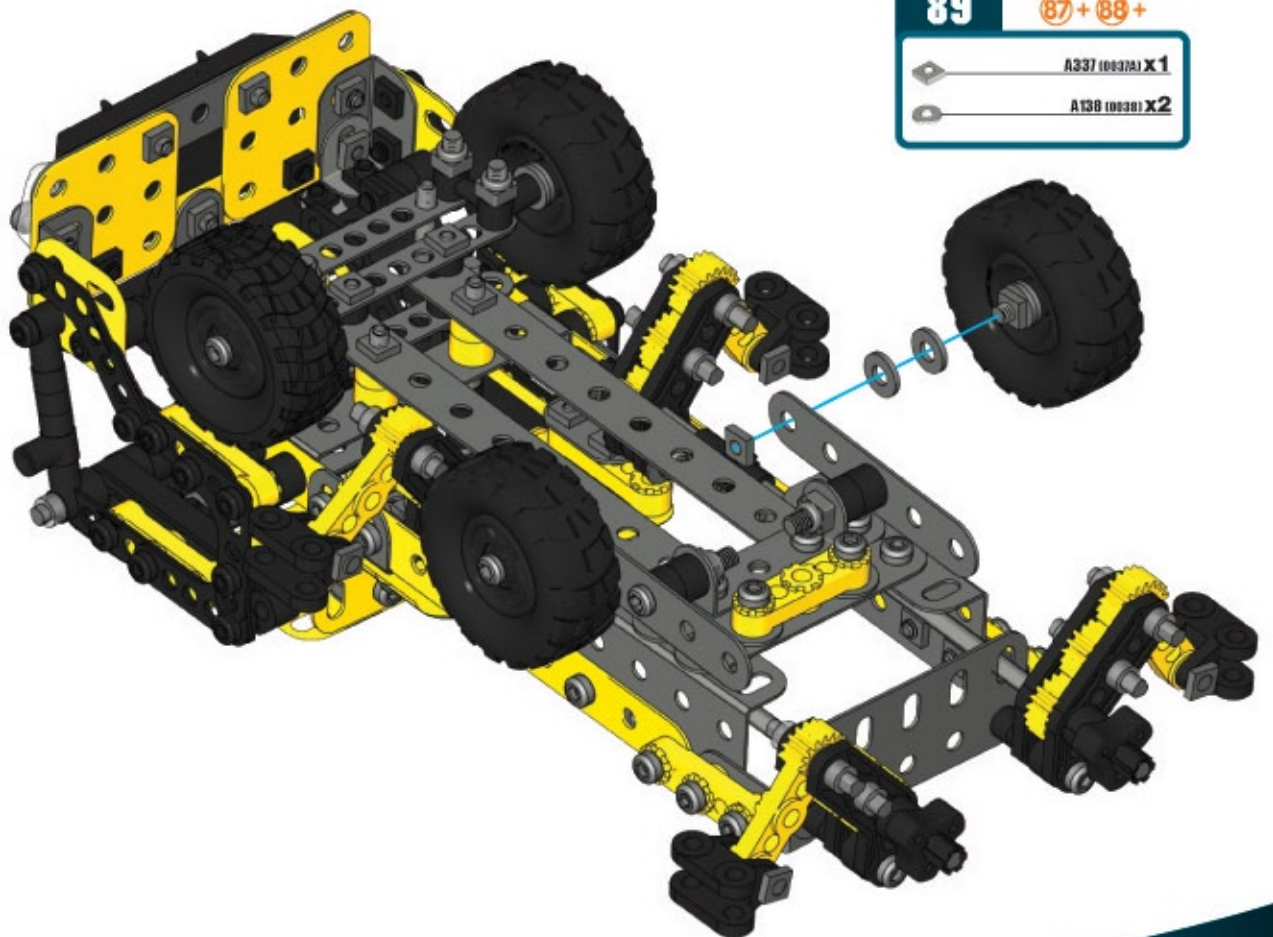




88



86+87+

-  A337 (0027A) X1
-  A138 (0030) X2





89

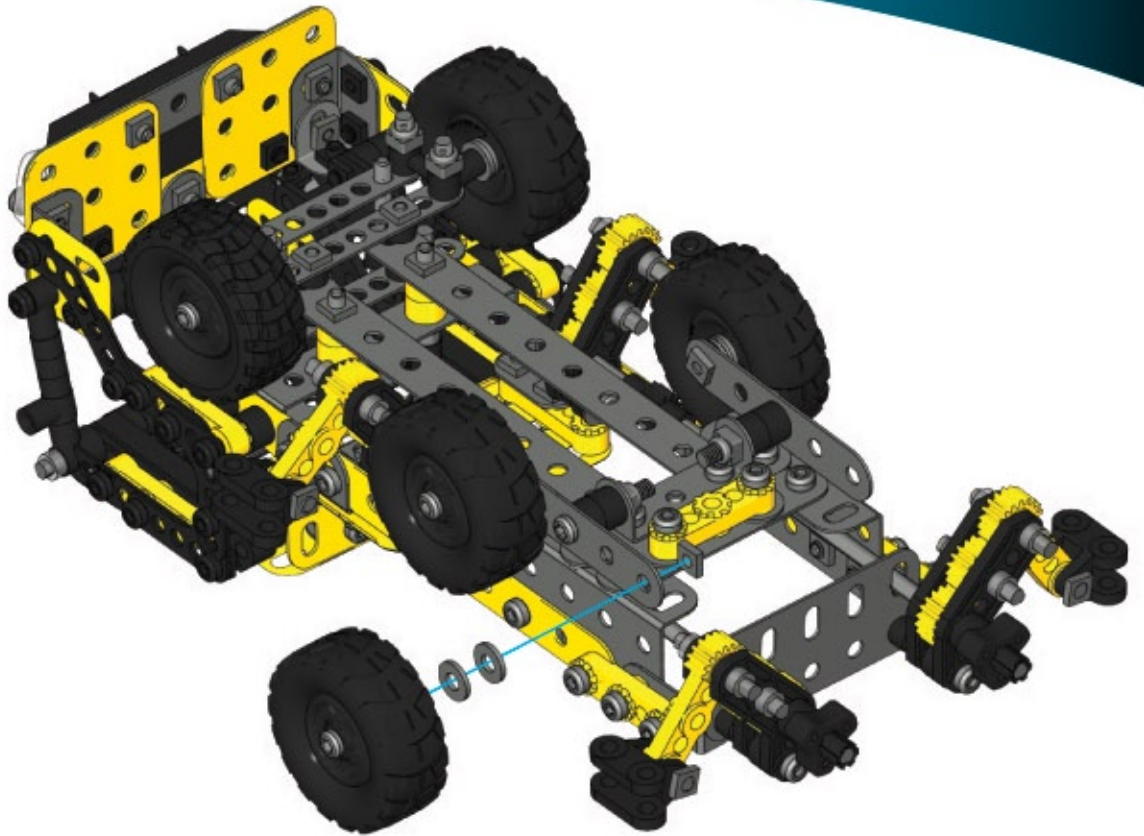
87+88+

-  A337 (0027A) X1
-  A138 (0030) X2

90



87+89+

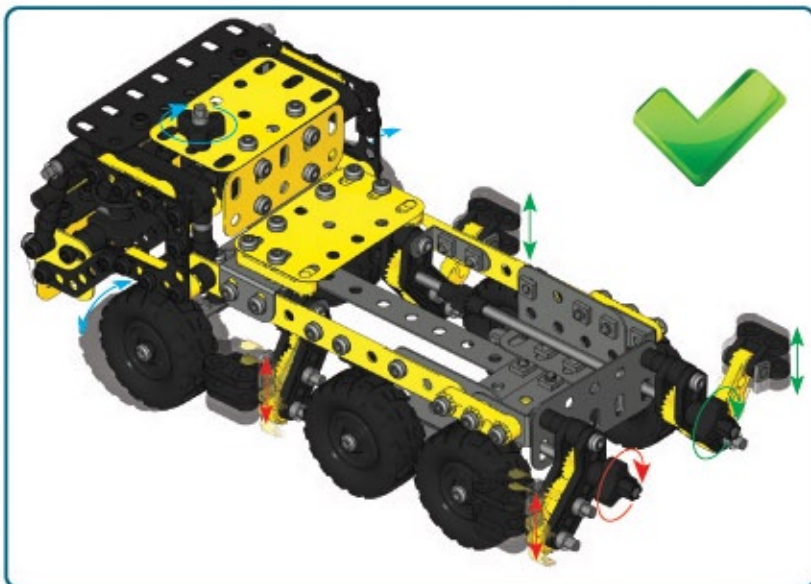
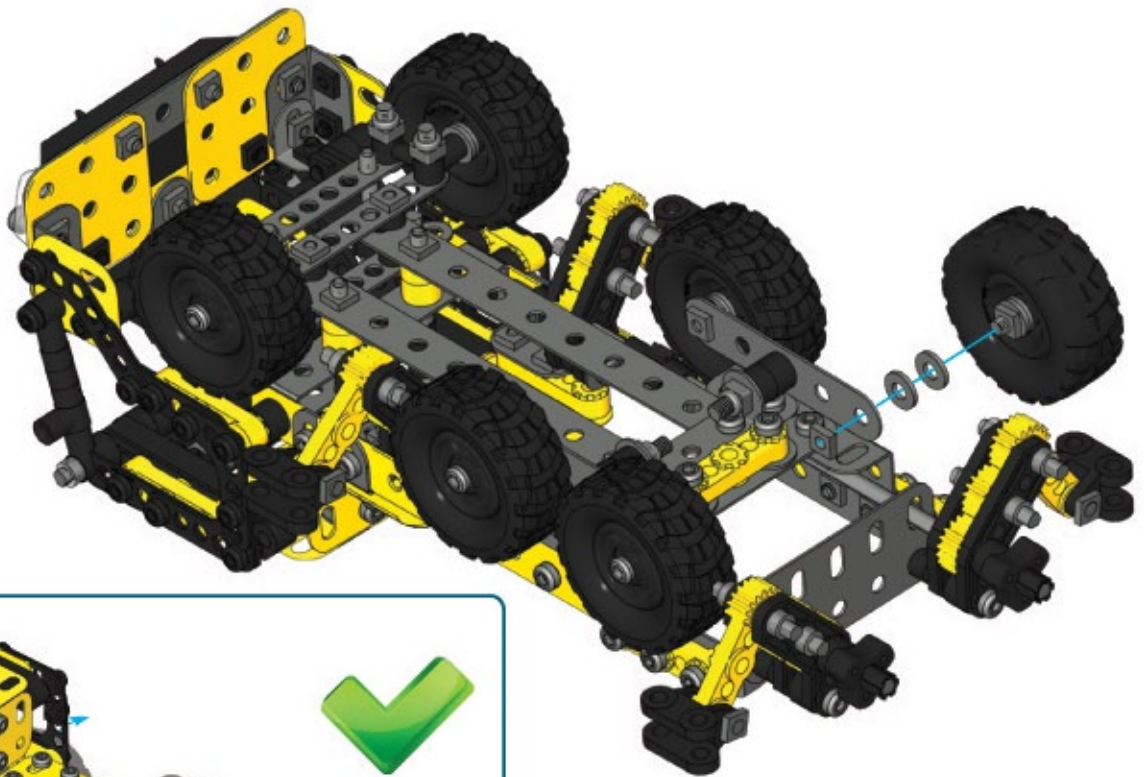
-  A337 (0033A) x1
-  A130 (0030) x2



91

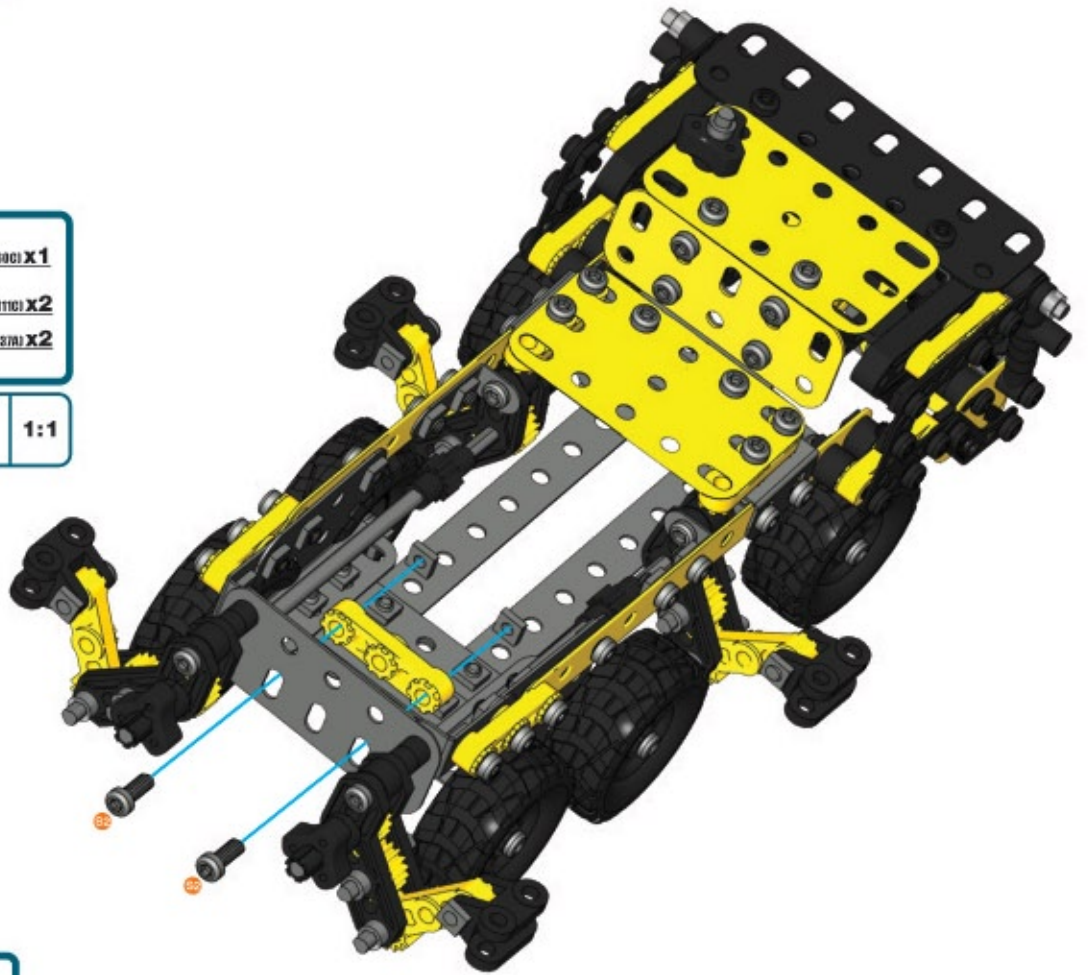
87+90+

-  A337 (0033A) x1
-  A130 (0030) x2



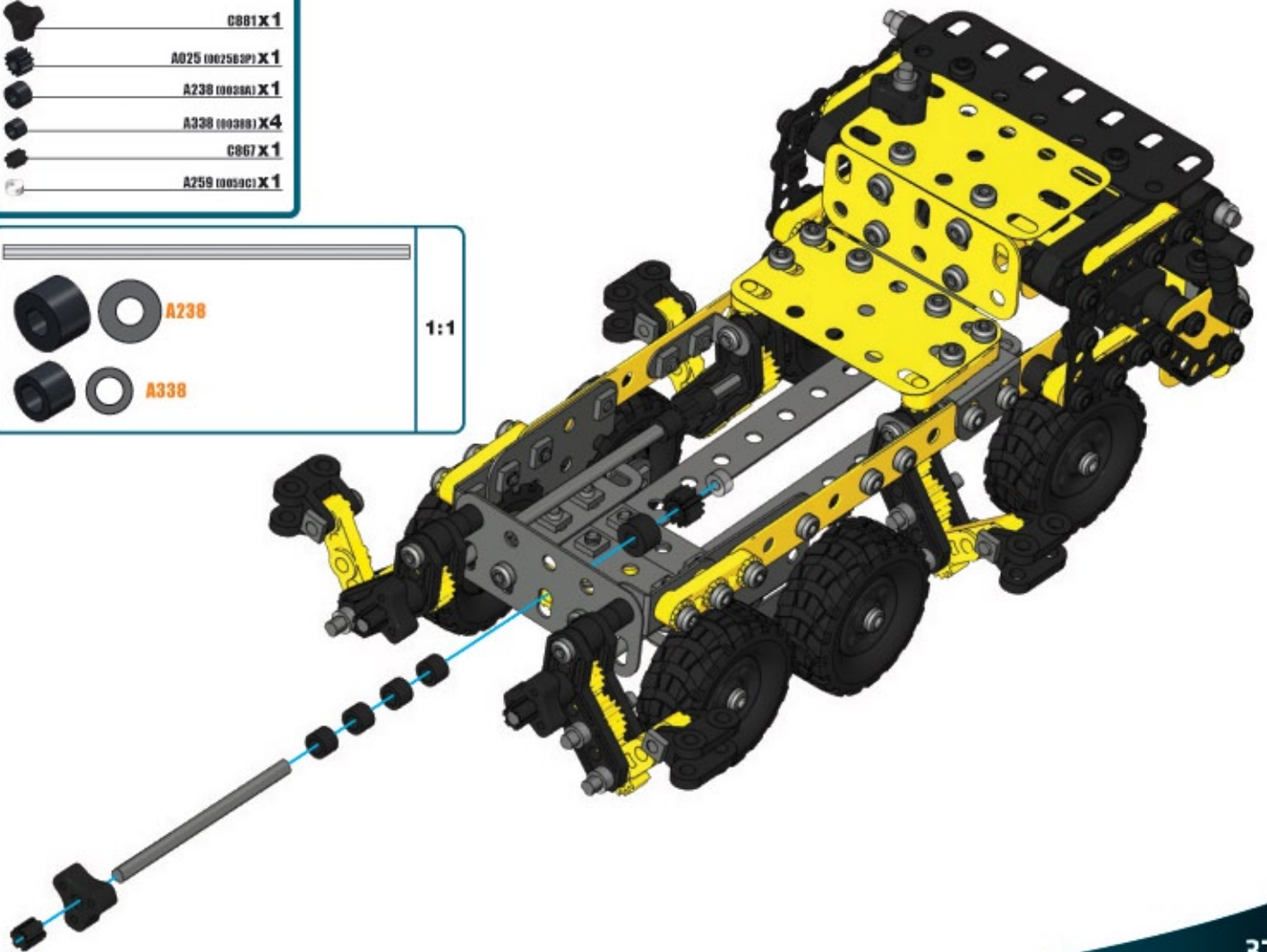
92

- A420 (02000) X 1
- 9,5mm | A511 (01110) X 2
3/8"
- A337 (00270) X 2






93

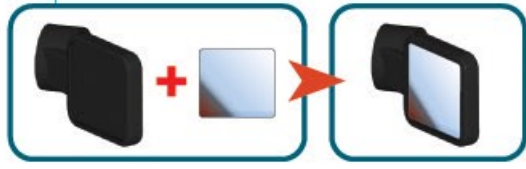
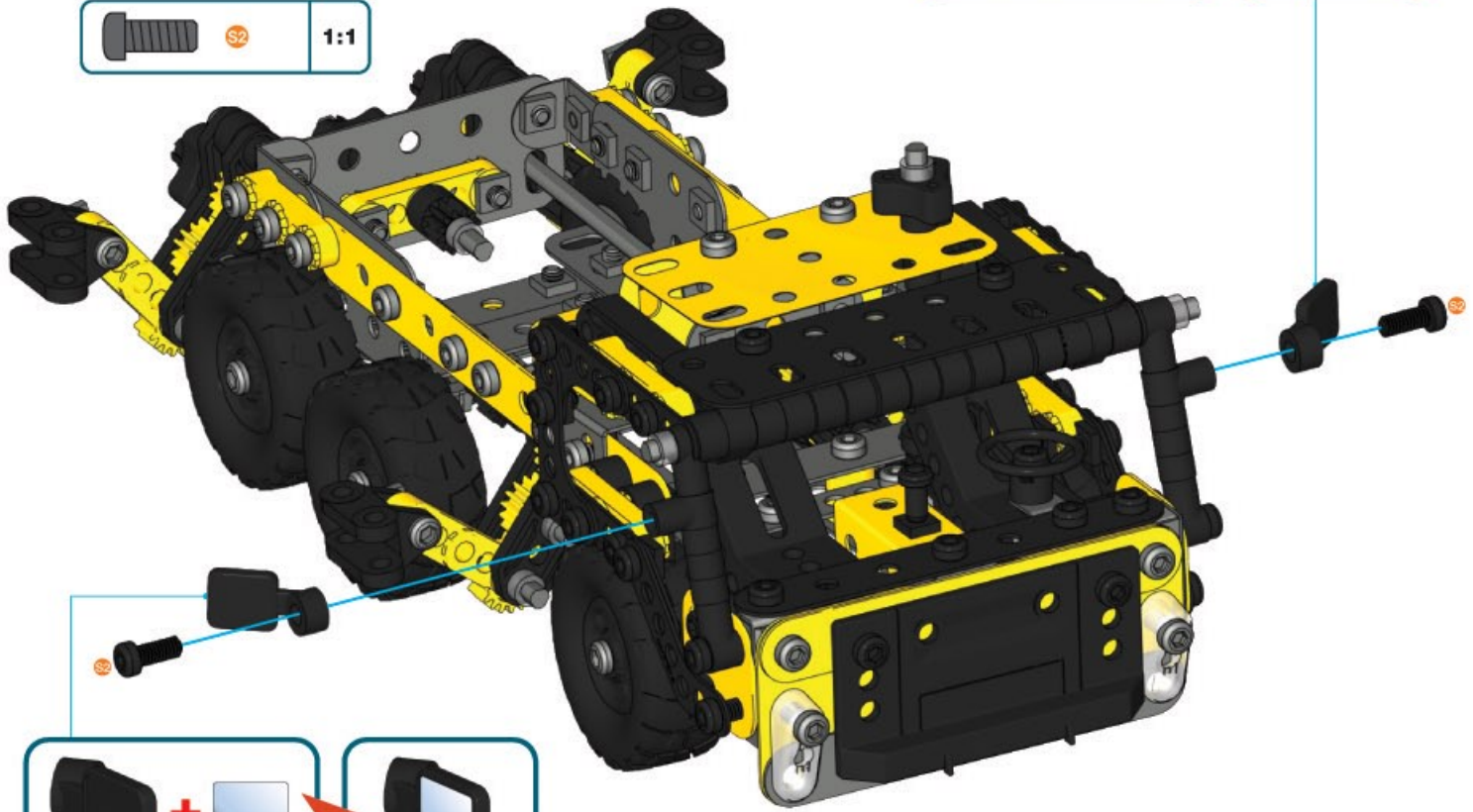
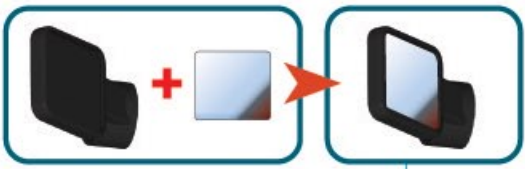
- 60mm | A516 (0016A) X 1
2 3/8"
- C881 X 1
- A025 (002502P) X 1
- A238 (0028A) X 1
- A338 (00380) X 4
- C867 X 1
- A259 (0029C) X 1



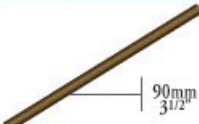

94


	C885	x2
	A511 (0111C)	x2
		x1
		x1

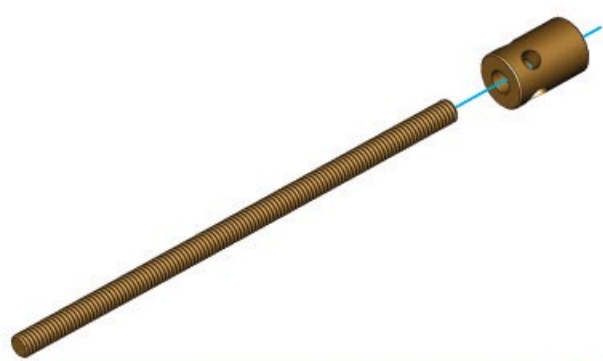
	S2	1:1
---	----	-----





95

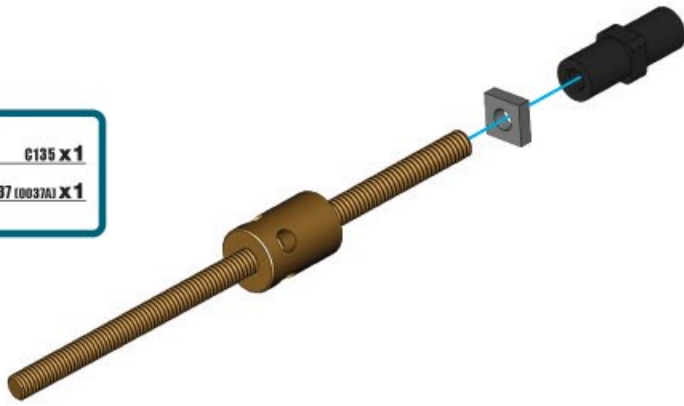
	90mm 3 1/2"	A281 (0081A)	x 1
		A176 (0064A)	x 1

	1:1
--	-----



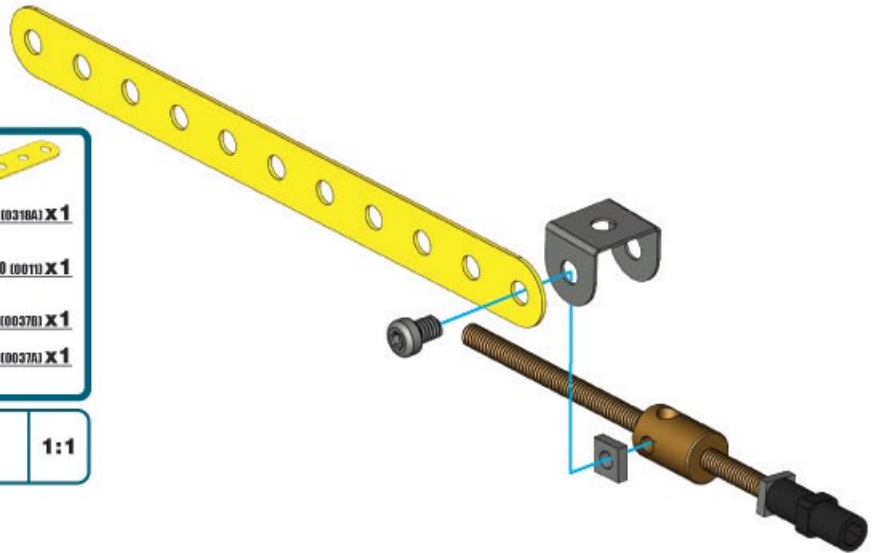
96

-  C135 X 1
-  A337 (0037A) X 1






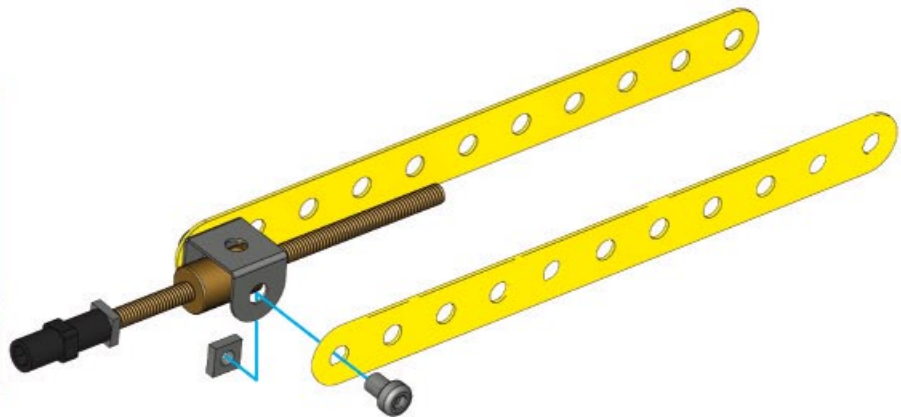
97

-  A202 (0318A) X 1
-  A720 (0011) X 1
-  5,8mm 15/64" A637 (0037B) X 1
-  A337 (0037A) X 1

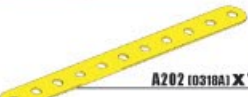






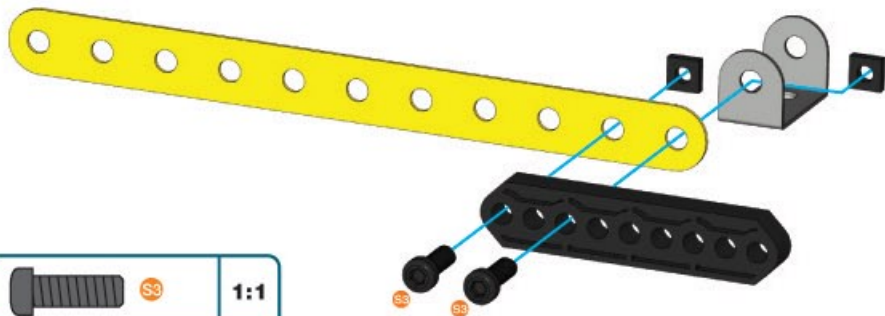
98

-  A202 (0318A) X 1
-  5,8mm 15/64" A637 (0037B) X 1
-  A337 (0037A) X 1



99

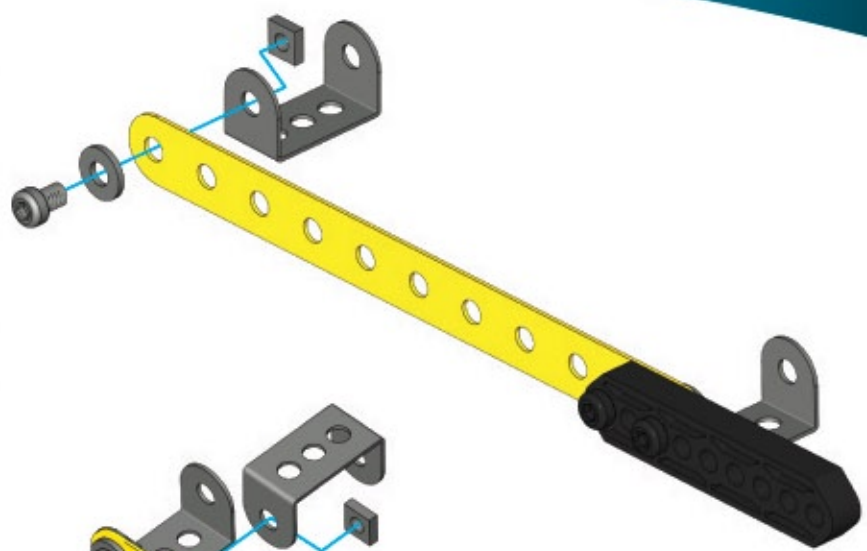
-  A202 (0318A) X 1
-  B051 X 1
-  A548 (0048E) X 1
-  12mm 1/2" A411 (0111A) X 2
-  A337 (0037A) X 2



100

- A548 (0048E) X1
- 5,8mm 15/64" A637 (0037B) X1
- A337 (0037B) X1
- A128 (0028) X1

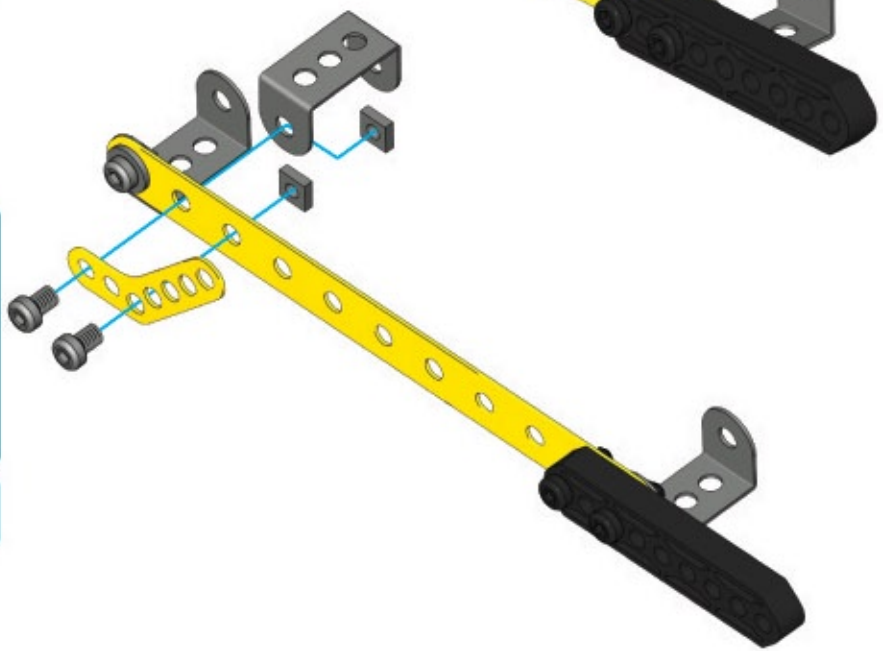
	S1	1:1
---	----	-----



101

- C775 X1
- A548 (0048E) X1
- 5,8mm 15/64" A637 (0037B) X2
- A337 (0037B) X2

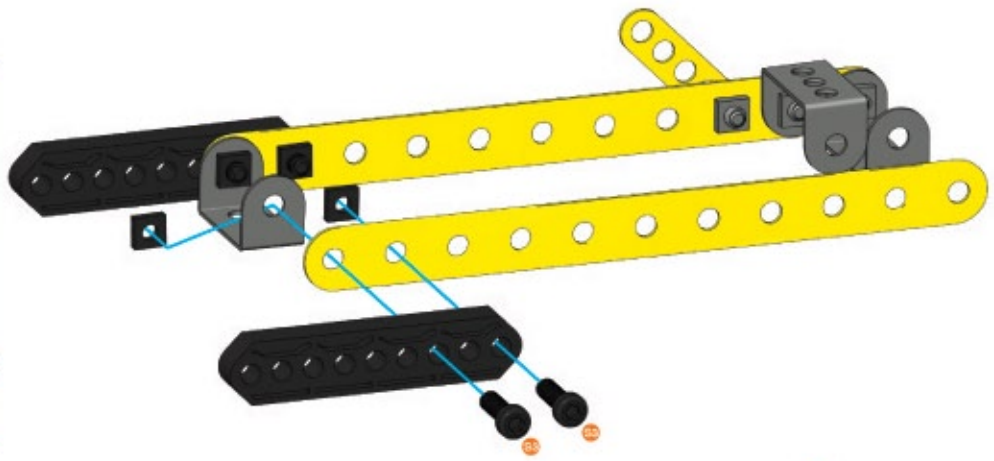
	S1	1:1
---	----	-----



102

- A202 (0016A) X1
- B051 X1
- 12mm 1/2" A411 (0011A) X2
- A337 (0037B) X2

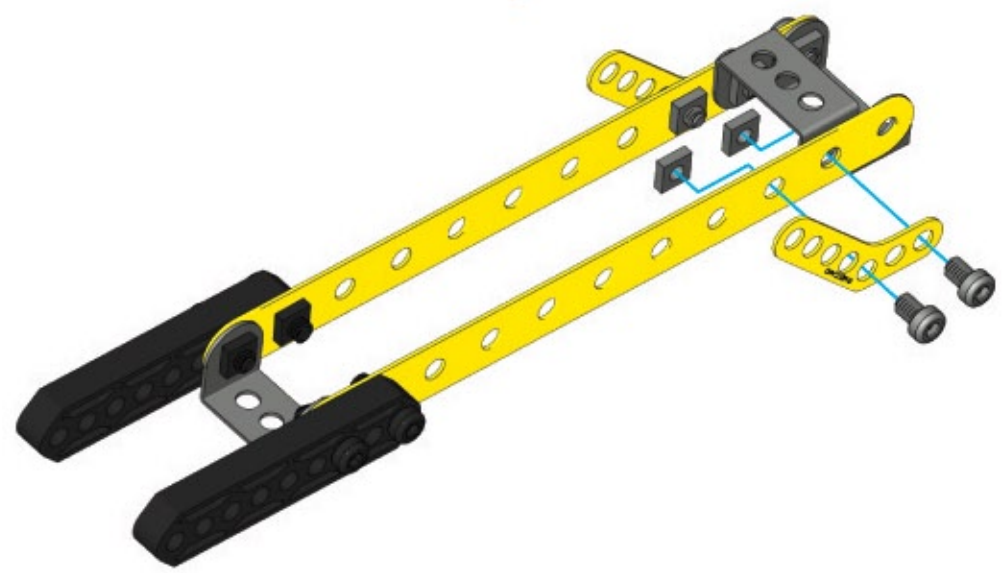
	S3	1:1
---	----	-----






103

- C775 X1
- 5,8mm 15/64" A637 (0037B) X2
- A337 (0037B) X2

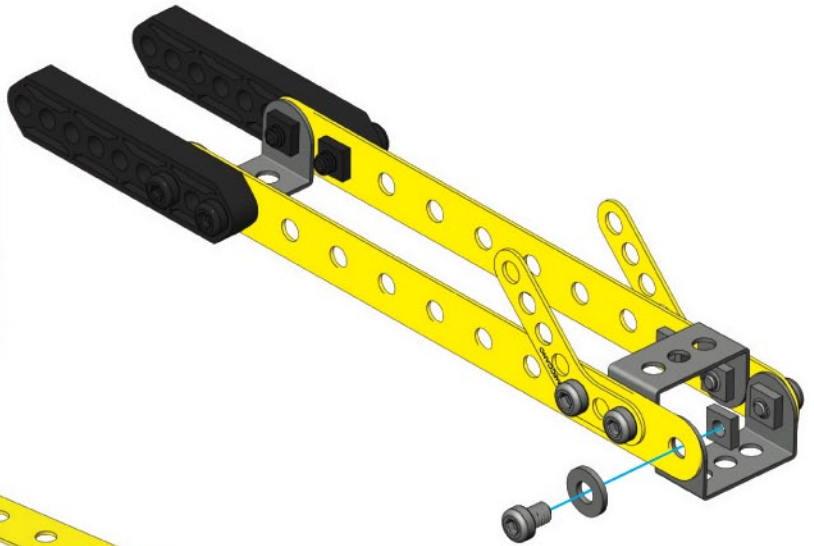
	S1	1:1
---	----	-----






104

	5,8mm 15/64"	A637 (0037B) X 1
		A337 (0037A) X 1
		A138 (0038) X 1

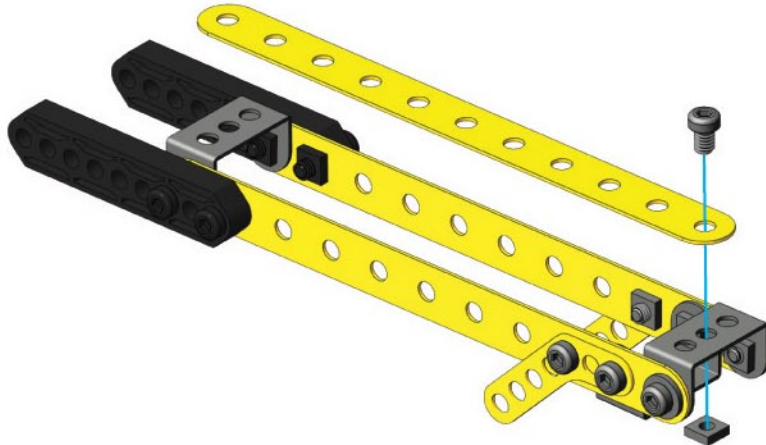
	S1	1:1
---	----	-----



105

	A202 (0318A) X 1	
	5,8mm 15/64"	A637 (0037B) X 1
		A337 (0037A) X 1

	S1	1:1
---	----	-----



106

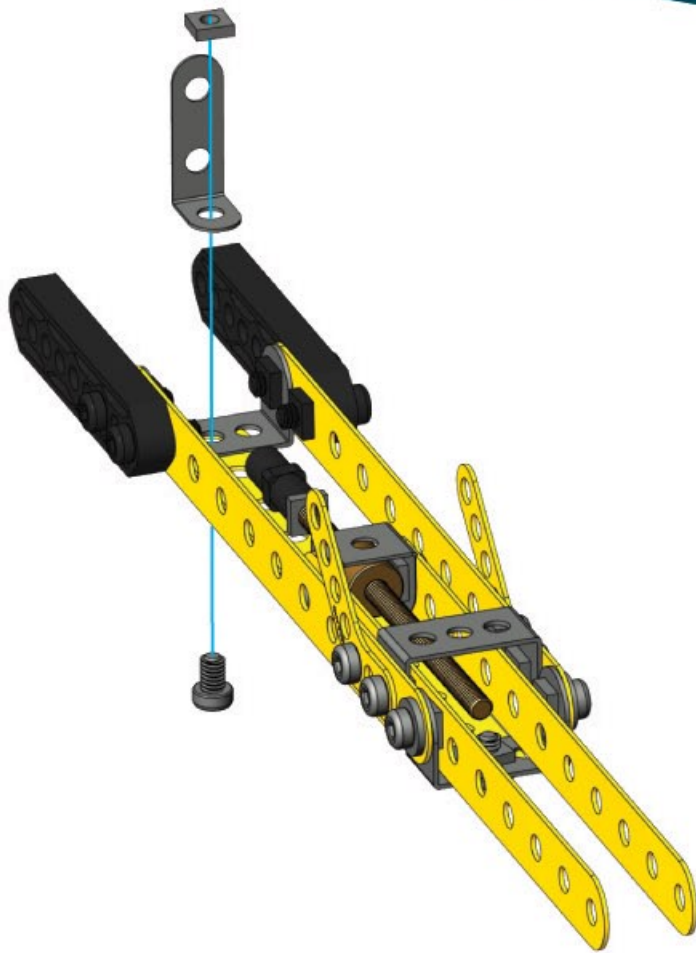
96 + 105





107

-  **A812 (001281) X 1**
-  **A637 (00378) X 1**
-  **A337 (00371A) X 1**

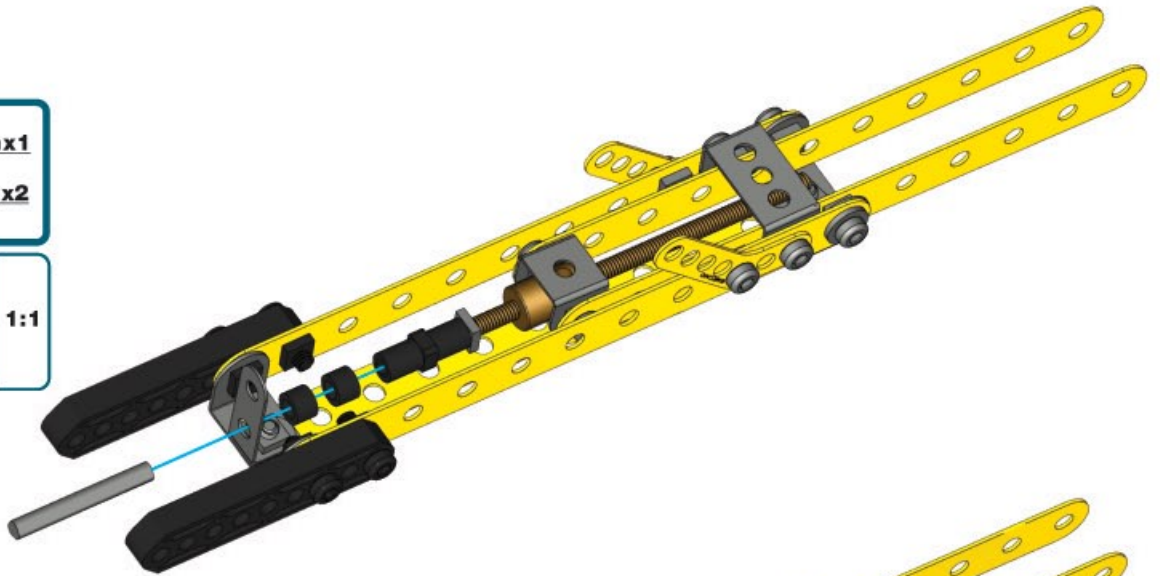
	S1	1:1
---	-----------	------------





108

-  **32mm** | **A430 (0210C) X 1**
1 1/4"
-  **A338 (00388) X 2**

	A338	1:1
---	-------------	------------



109

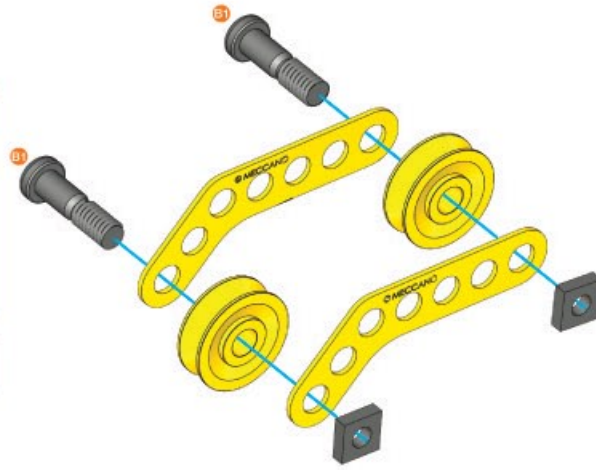
-  **A025 (0025B2P) X 1**
-  **A259 (0059C) X 1**



110

	C775 x2
	A524 (00230p) x2
	A247 (01470) x2 14,7mm 37/64"
	A337 (0037A) x2

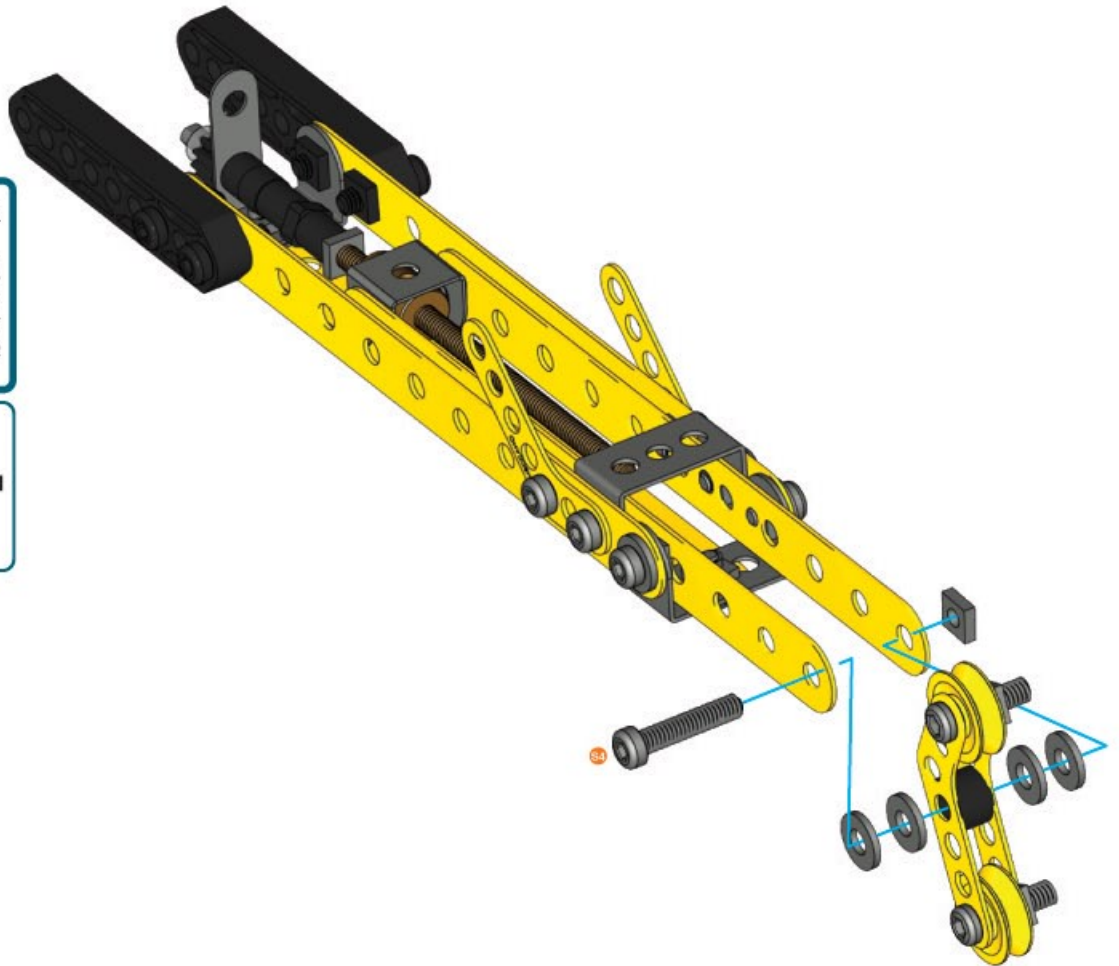
	B1	1:1
--	-----------	------------



111 (109) + (110) +

	A238 (0038A) x1
	A911 (0111) x1 19mm 3/4"
	A337 (0037A) x1
	A138 (0038) x4

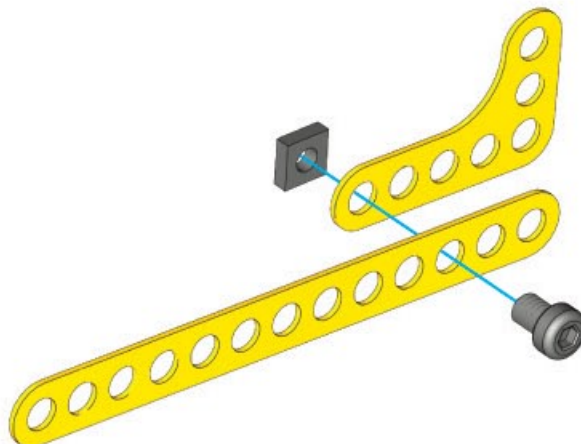
	S4	1:1
	A238	



112

	C773 x1
	C776 x1
	A637 (0037B) x1 5,8mm 15/64"
	A337 (0037A) x1

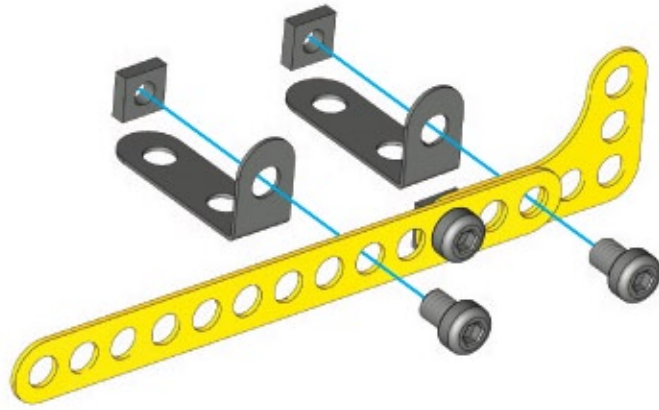
	S1	1:1
--	-----------	------------



113

	A812 (00120) x2
	5,8mm 15/64" A637 (00370) x2
	A337 (00370) x2

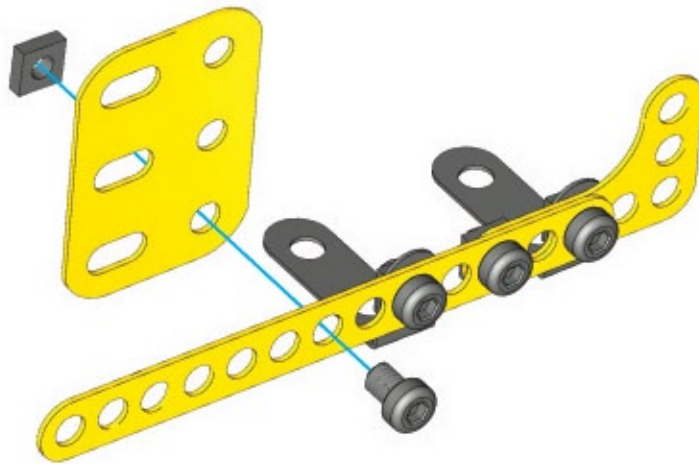
		1:1
--	--	-----



114

	A307 (01030) x1
	5,8mm 15/64" A637 (00370) x1
	A337 (00370) x1

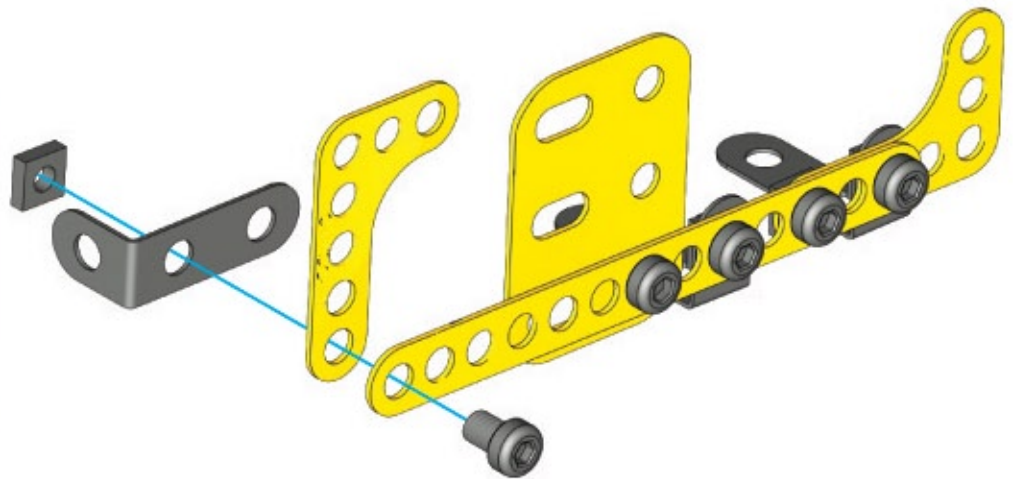
		1:1
--	--	-----



115

	C776 x1
	A812 (00120) x1
	5,8mm 15/64" A637 (00370) x1
	A337 (00370) x1

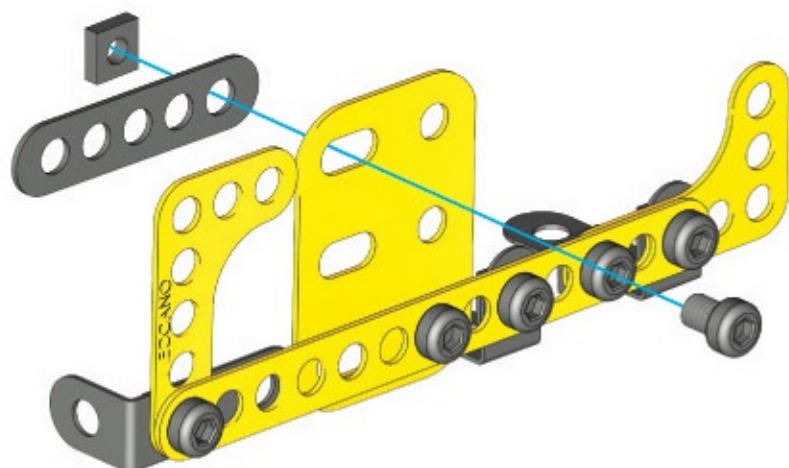
		1:1
--	--	-----



116

	C768 X1
	A637 (00378) X1
	A337 (00374) X1

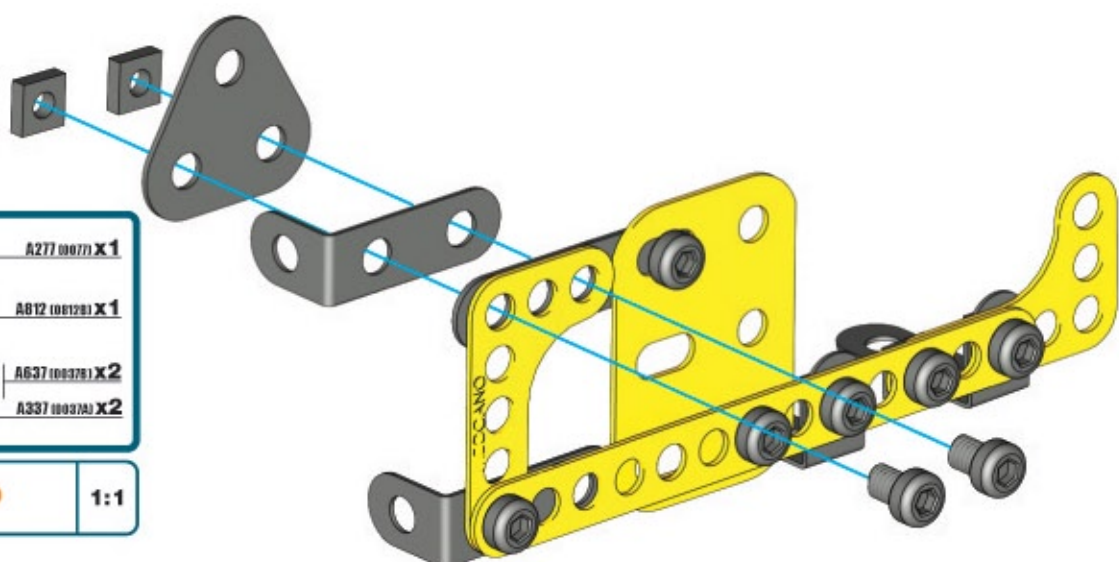
	S1	1:1
--	-----------	------------



117

	A277 (0077) X1
	A812 (00128) X1
	A637 (00378) X2
	A337 (00374) X2

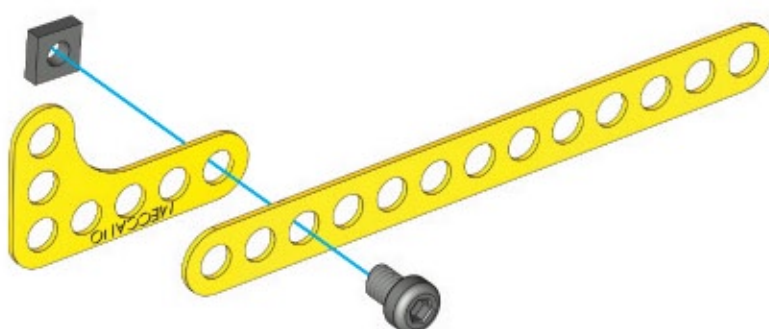
	S1	1:1
--	-----------	------------



118

	C773 X1
	C776 X1
	A637 (00378) X1
	A337 (00374) X1

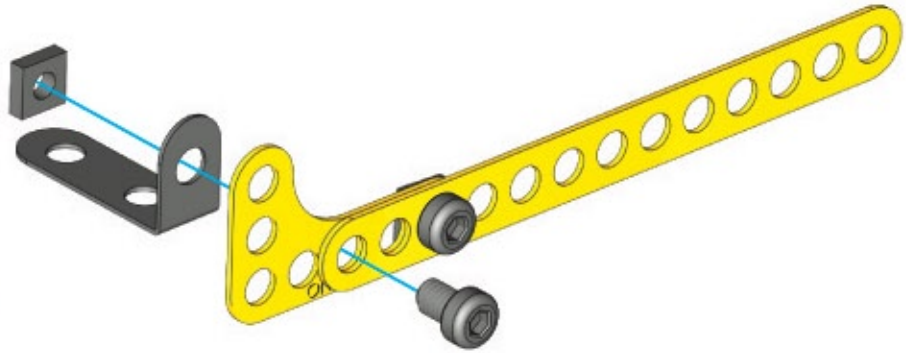
	S1	1:1
--	-----------	------------






119

	A812 (00128) X 1
	5,8mm 15/64" A637 (00378) X 1
	A337 (00378) X 1

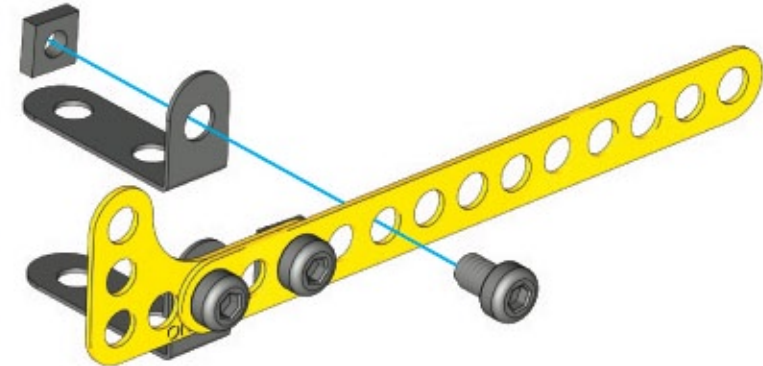
		1:1
---	---	-----



120

	A812 (00128) X 1
	5,8mm 15/64" A637 (00378) X 1
	A337 (00378) X 1

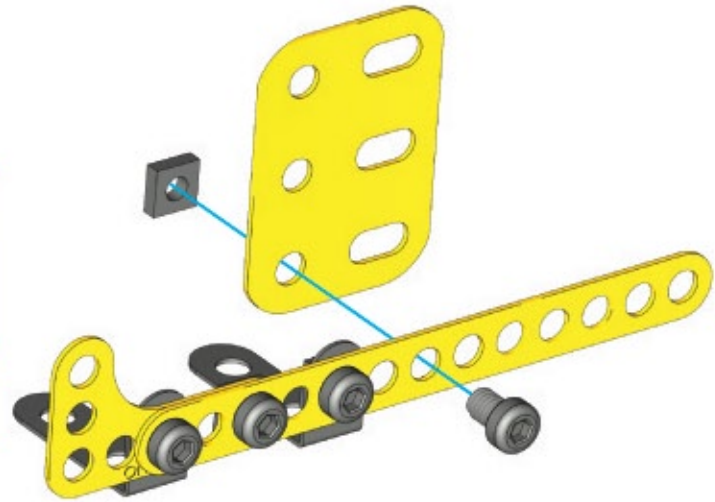
		1:1
---	---	-----



121

	A307 (00308) X 1
	5,8mm 15/64" A637 (00378) X 1
	A337 (00378) X 1

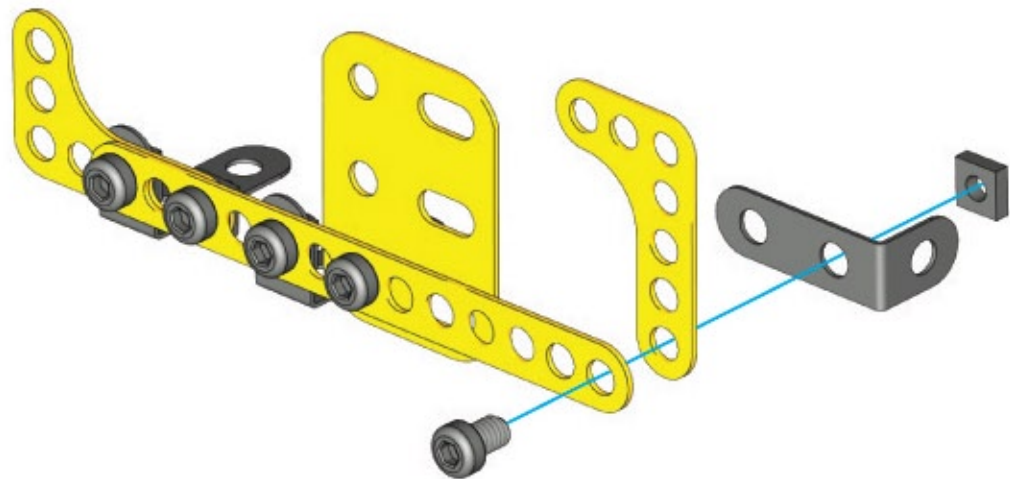
		1:1
---	---	-----



122

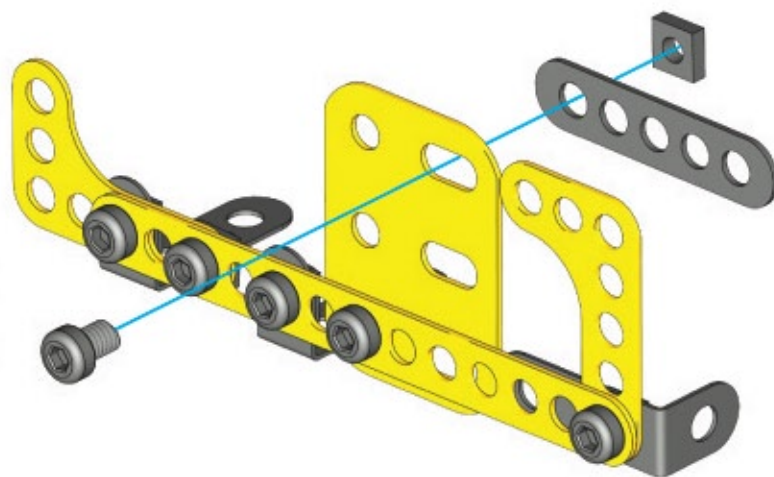
	C776 X1
	A812 (001281) X1
	5,8mm A637 (003781) X1
	A337 (003781) X1

	91	1:1
--	-----------	------------

**123**

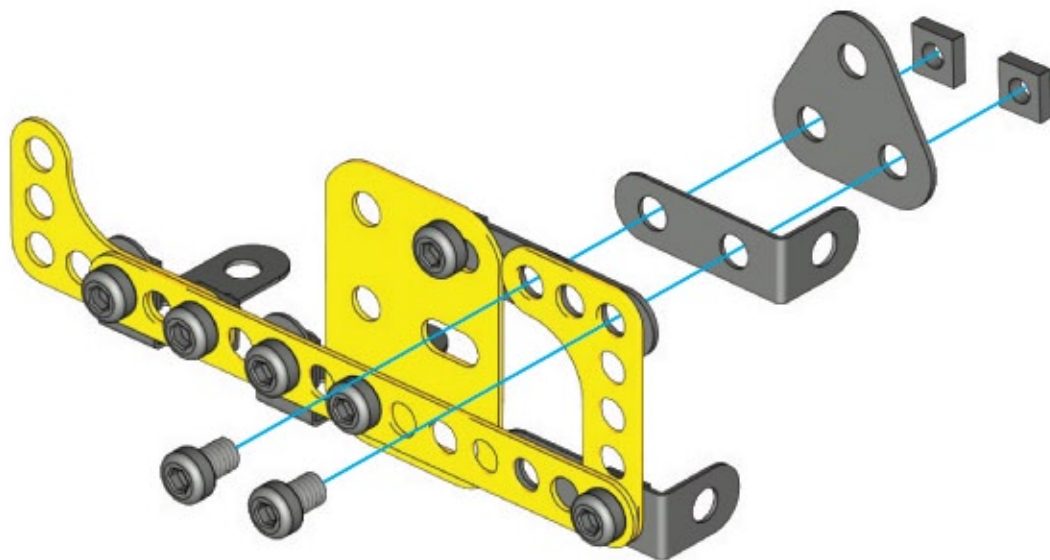
	C768 X1
	5,8mm A637 (003781) X1
	A337 (003781) X1

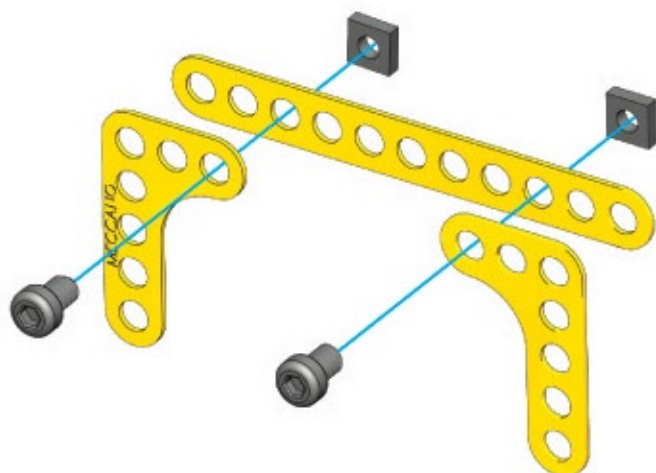
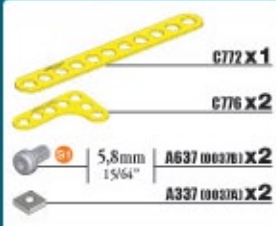
	91	1:1
--	-----------	------------

**124**

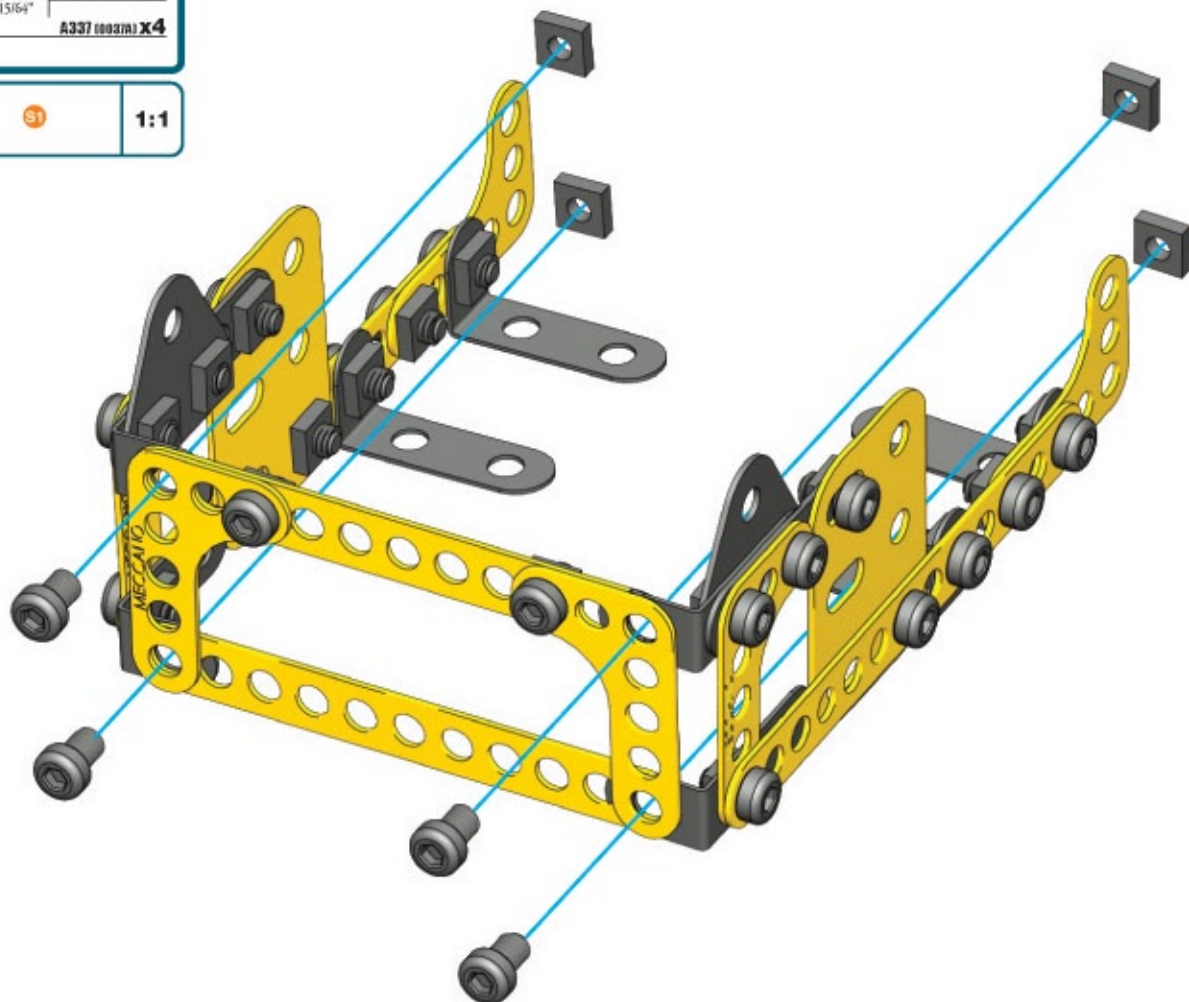
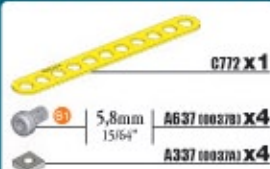
	A277 (00771) X1
	A812 (001281) X1
	5,8mm A637 (003781) X2
	A337 (003781) X2

	91	1:1
--	-----------	------------



125**126**

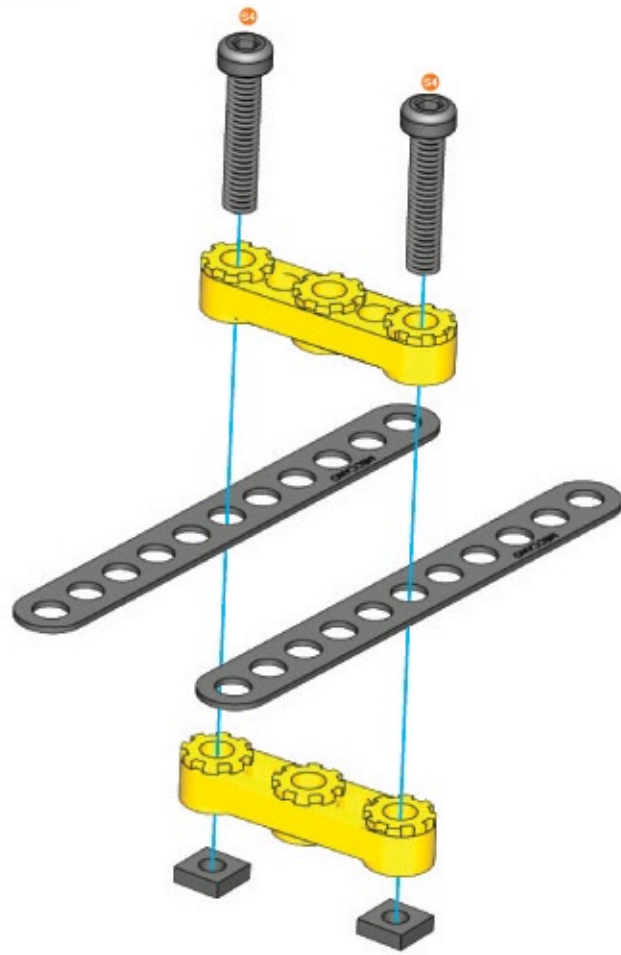
124 + 125 +



127

	0772 x2
	A420 (02260) x2
	A911 (01111) x2
	A337 (00370) x2

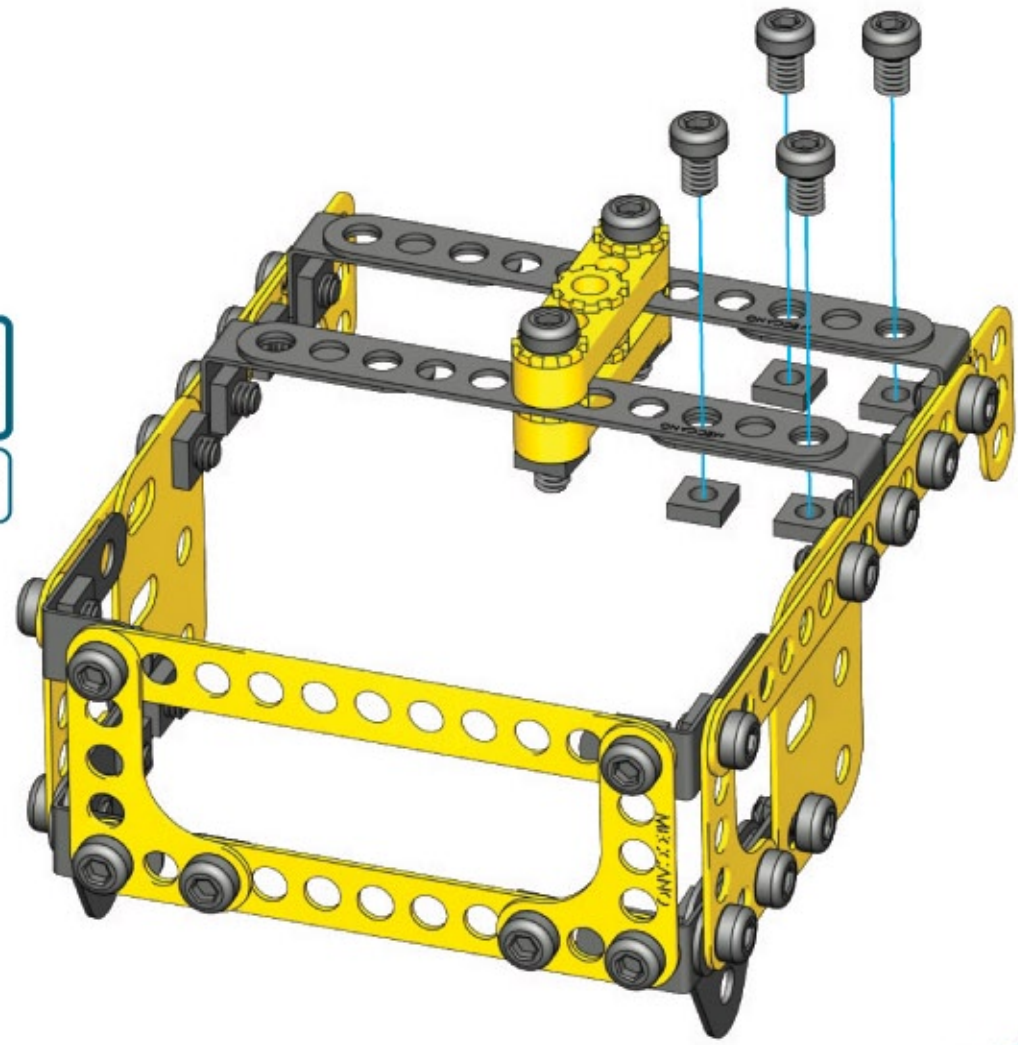
	S4	1:1
--	-----------	------------





128

	A637 (00370) x4
	A337 (00370) x4

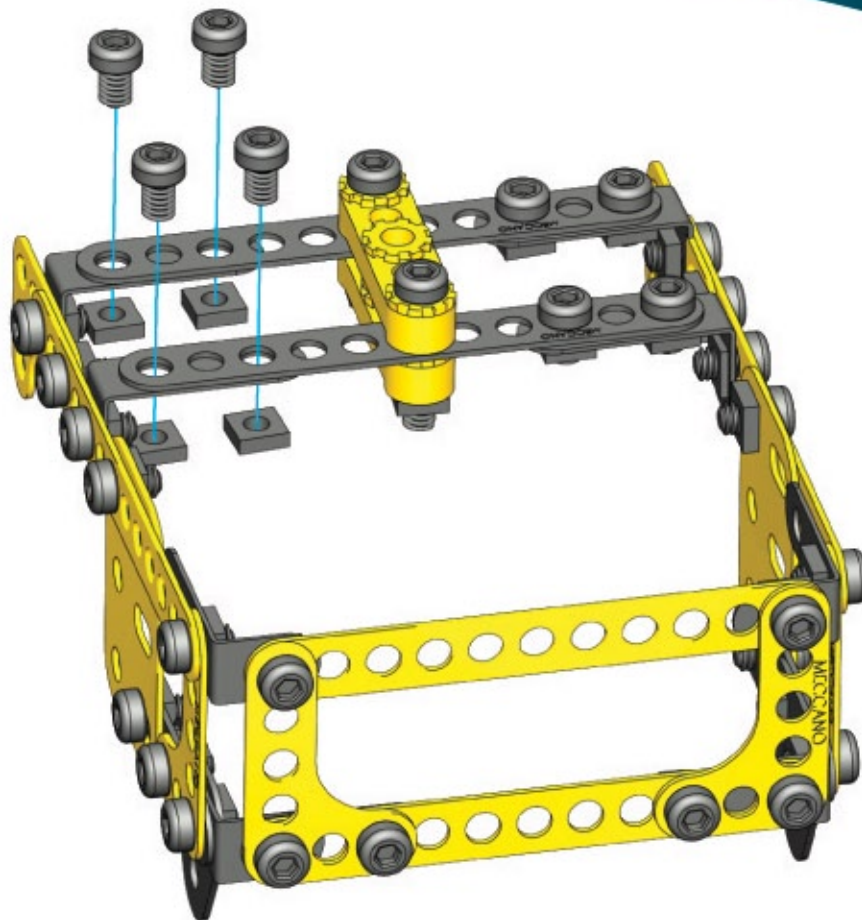
	S1	1:1
--	-----------	------------



129

 5,8mm 15/64" **A637 (00378) X4**
 **A337 (00378) X4**

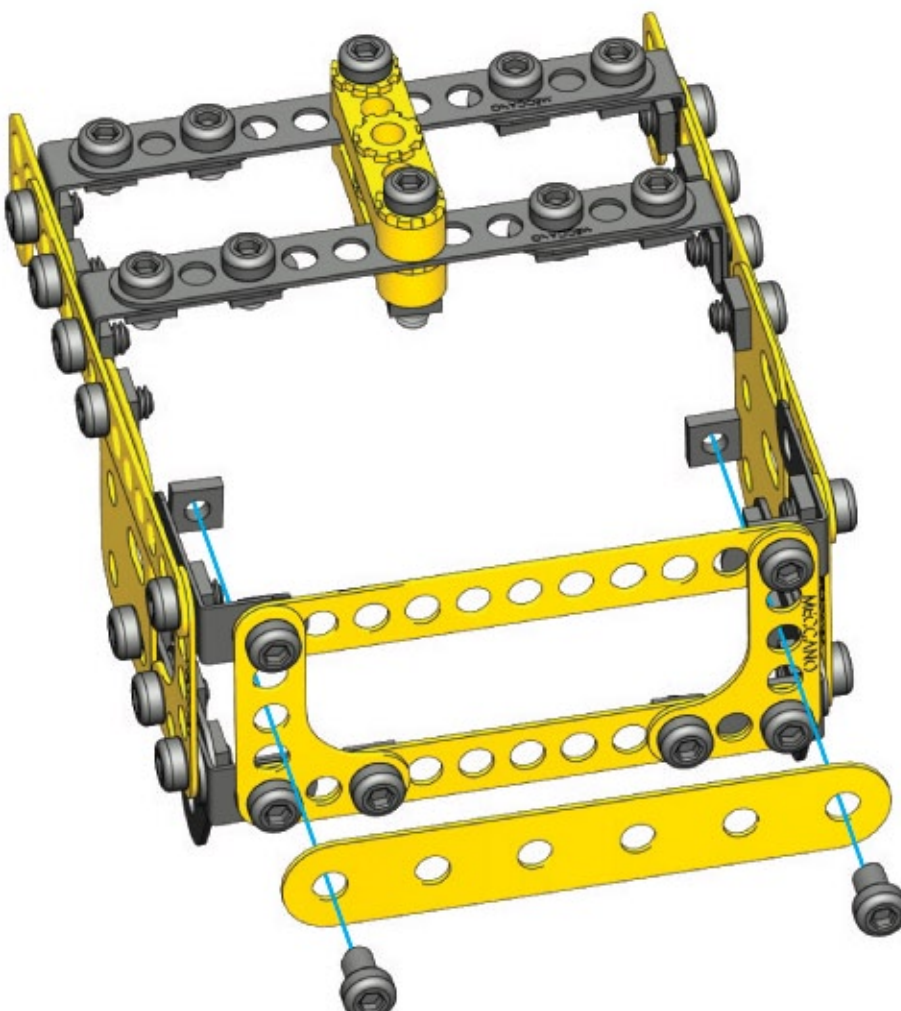
 **1:1**



130

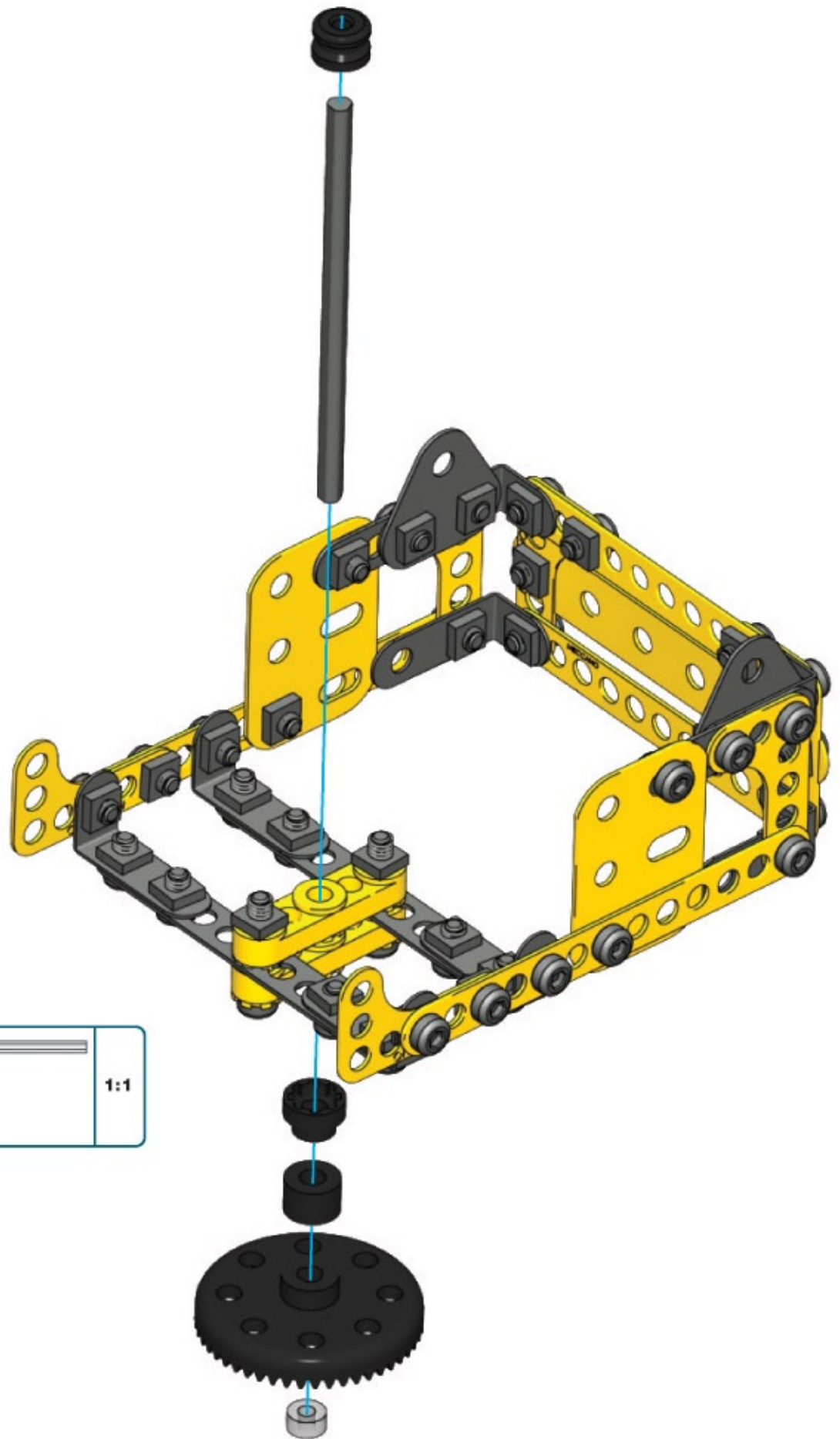
 **A304 (00041) X1**
 5,8mm 15/64" **A637 (00378) X2**
 **A337 (00378) X2**

 **1:1**



131

-  60mm | A516 (0318A) X 1
2 3/8"
-  A420 (0260C) X 1
-  A623 (0023C3P) X 1
-  A238 (0038A) X 1
-  A444 (0144C) X 1
-  A259 (0059C) X 1



132

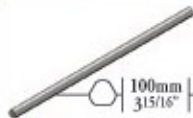


A898 (00408) X 1

A259 (00500) X 1



133



100mm
3 15/16" | A428 (00158) X 1



A322 (00220P3P1) X 2



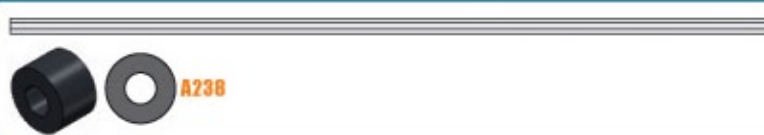
C881 X 1



A238 (00300) X 5

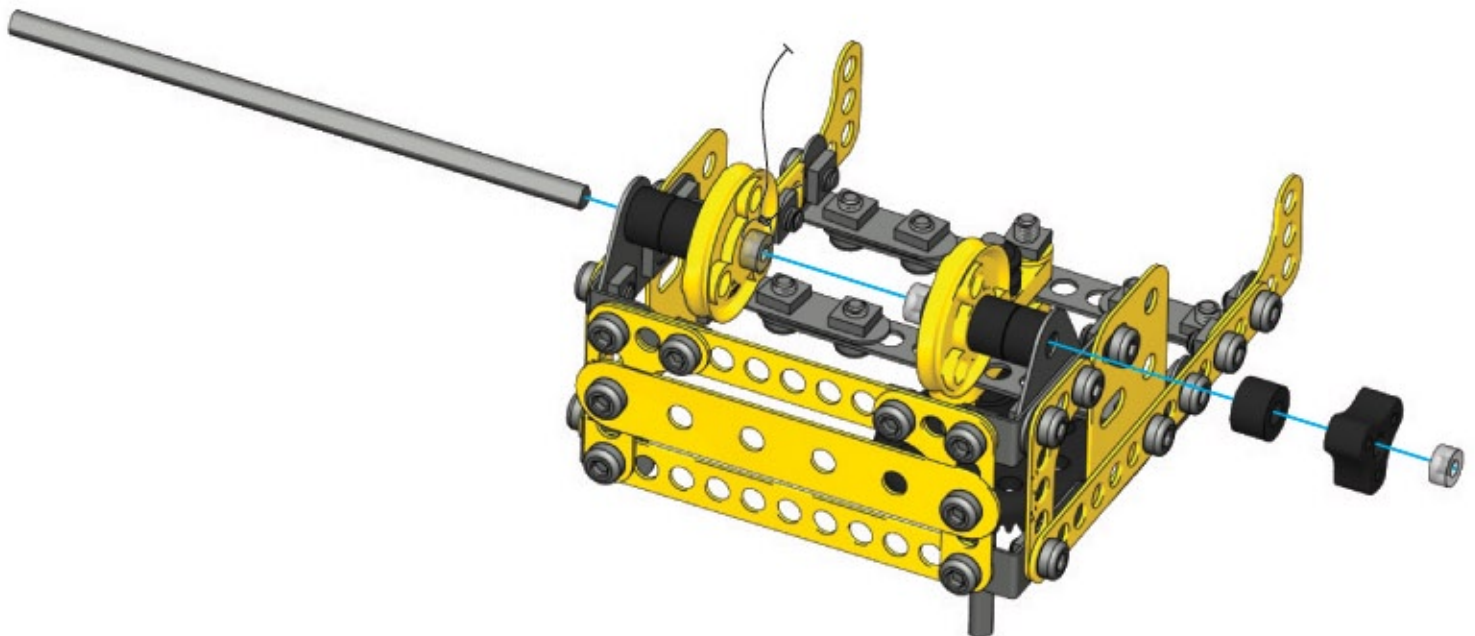


A259 (00500) X 2



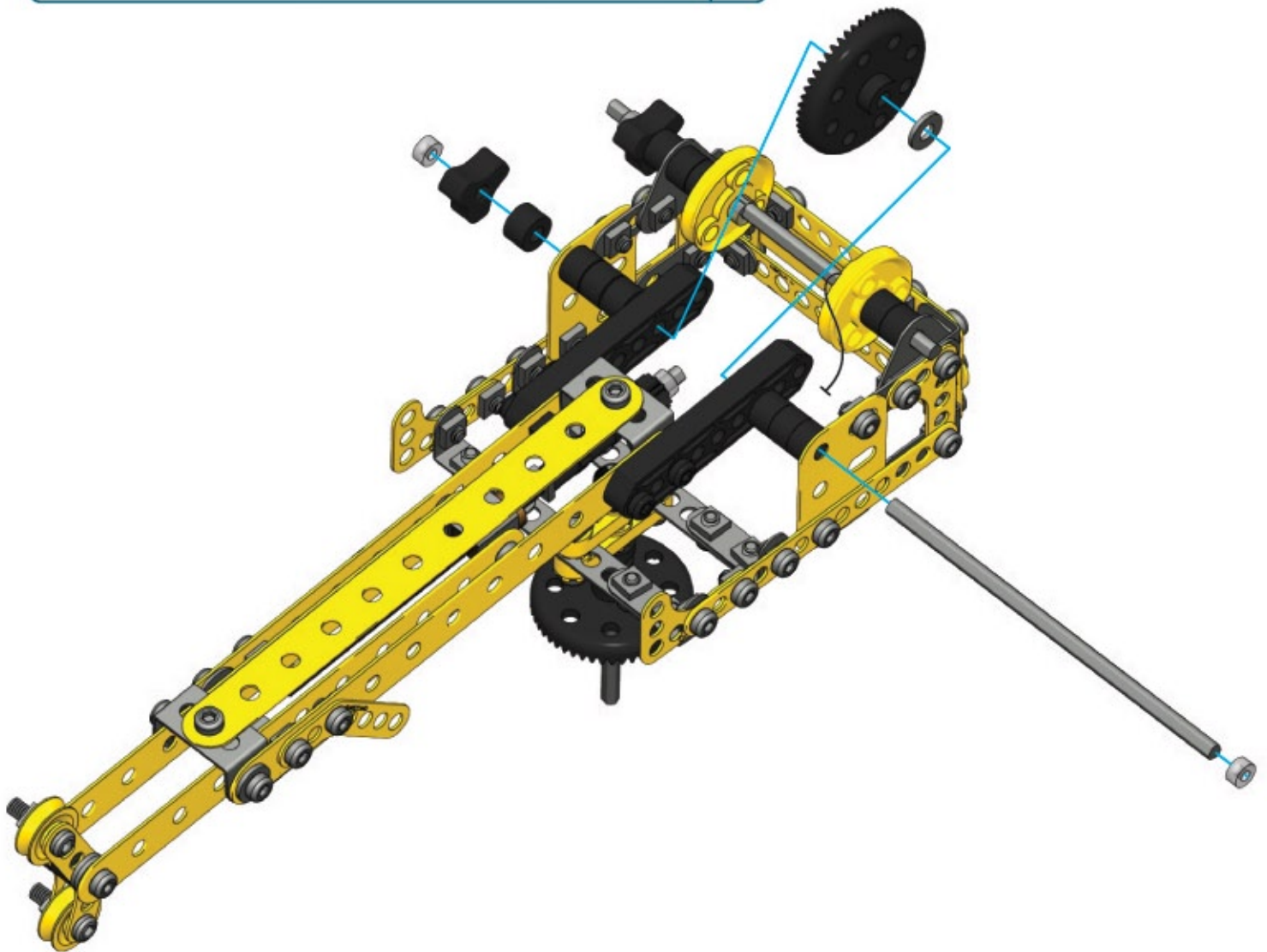
A238

1:1



134**(11) + (133) +**

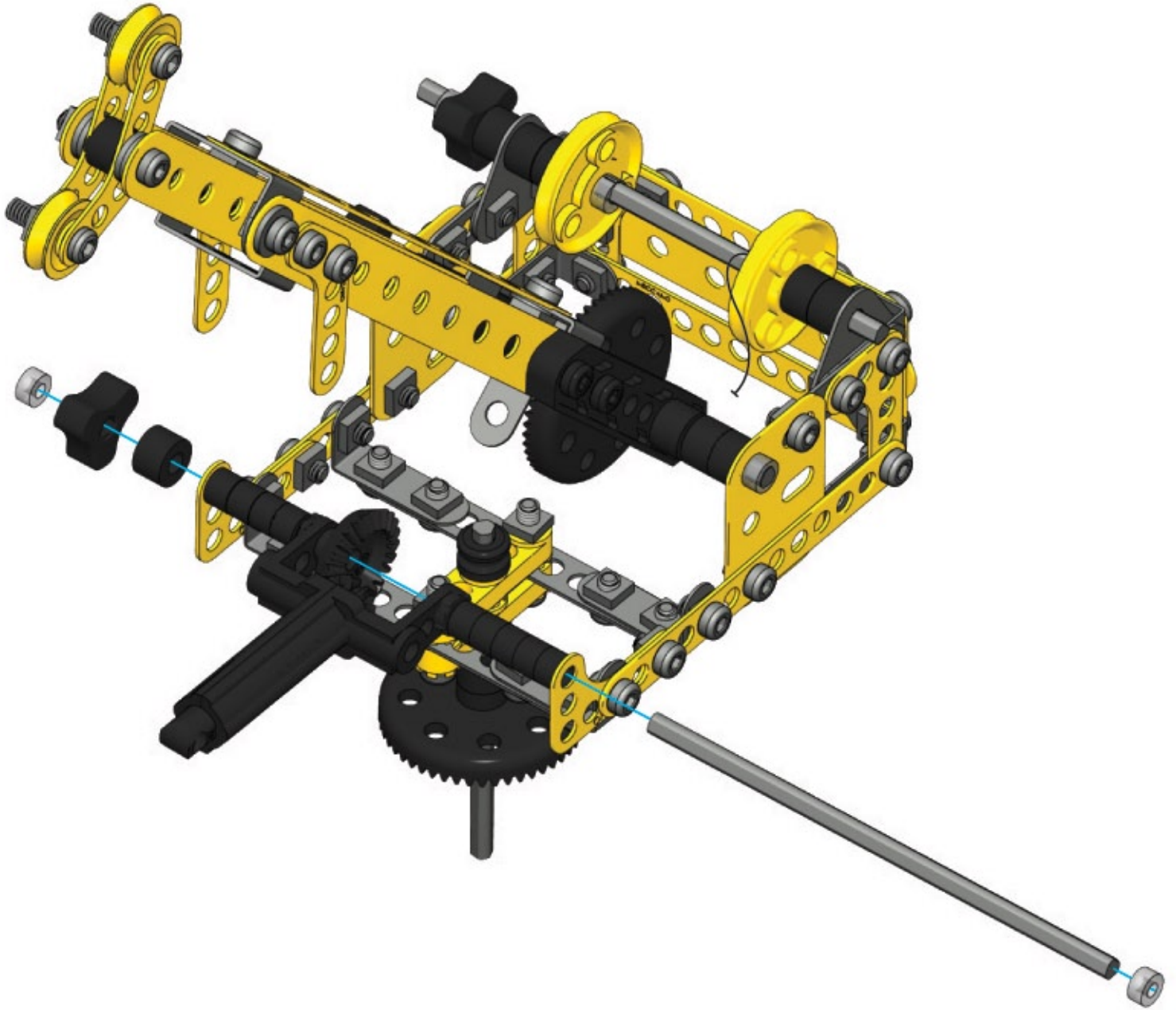
1:1



135

-  100mm | A428 (00150) X1
3/15/16"
-  C899 X1
-  C921 X1
-  C881 X1
-  A238 (0038A) X1
-  A338 (0038B) X9
-  A259 (0050C) X2

  A238	1:1
  A338	



136



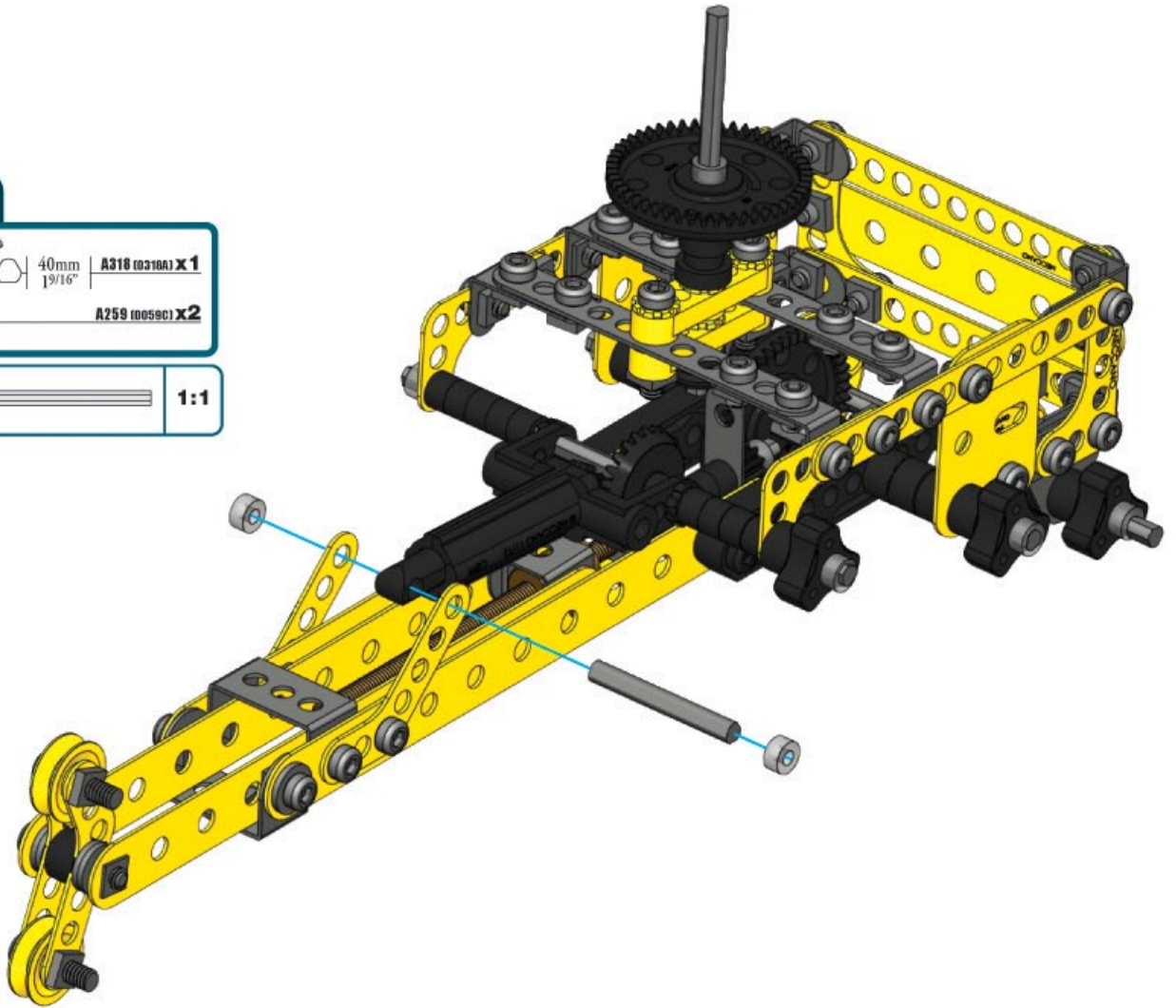
40mm
1 9/16"

A318 (0218A) x 1

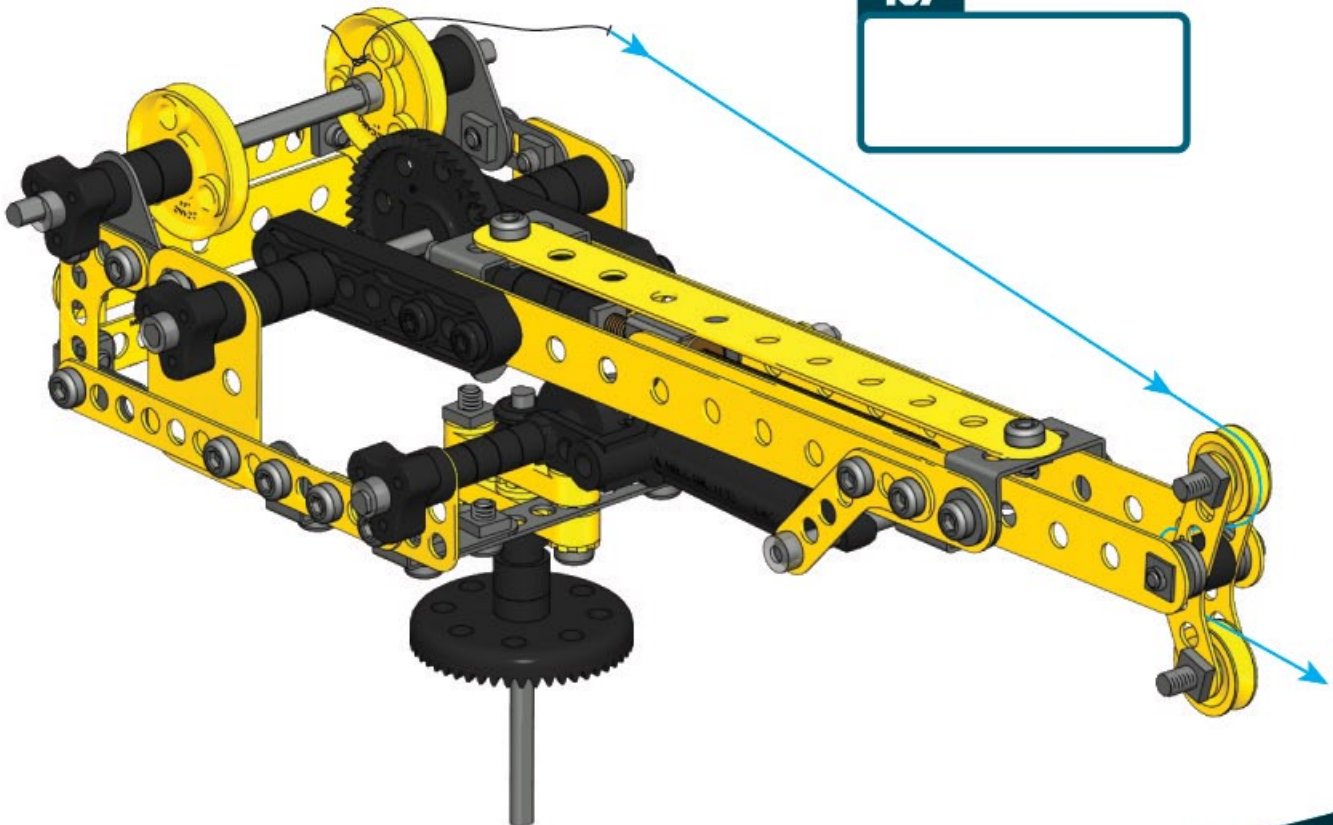
A259 (0059C) x 2



1:1



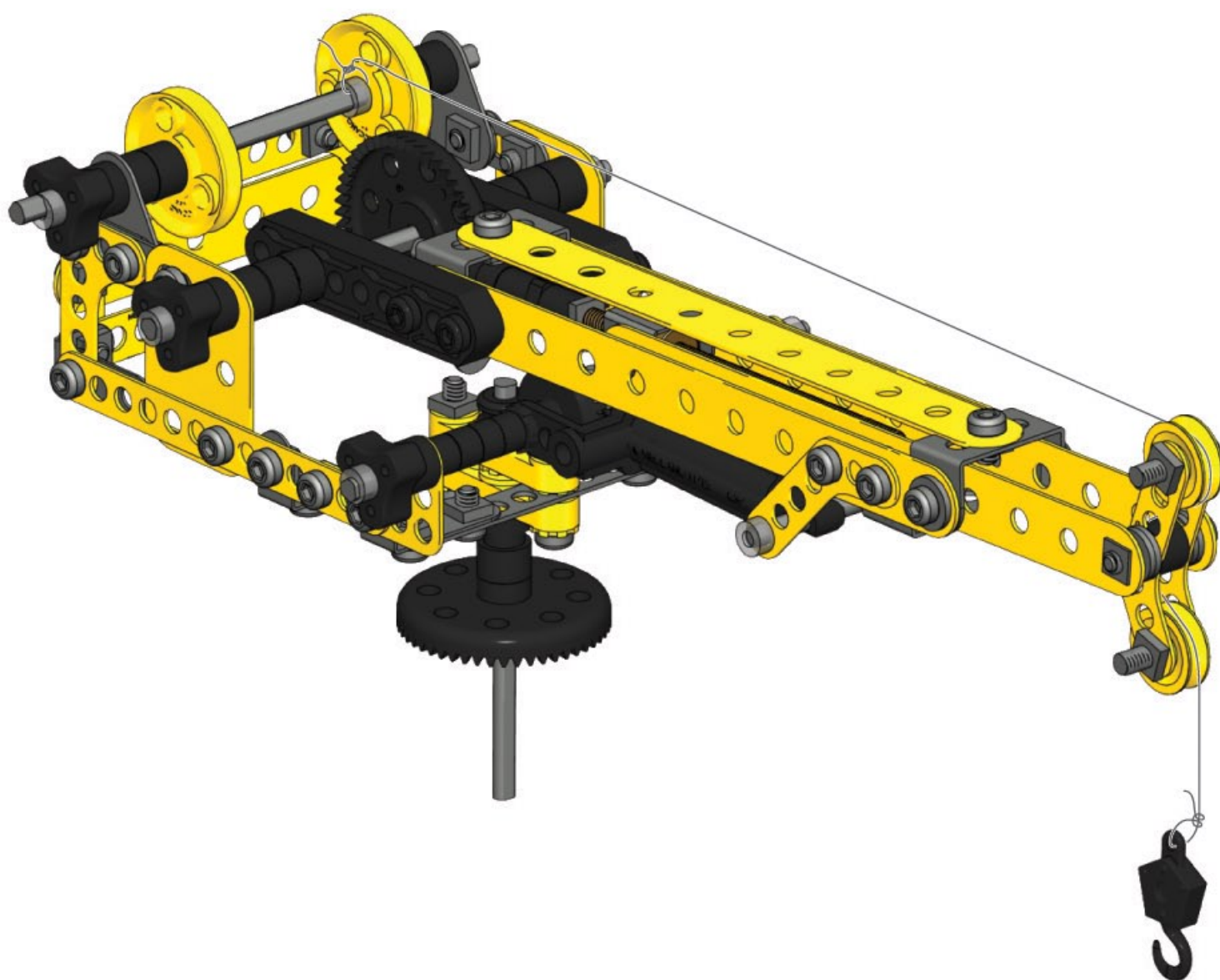
137



138

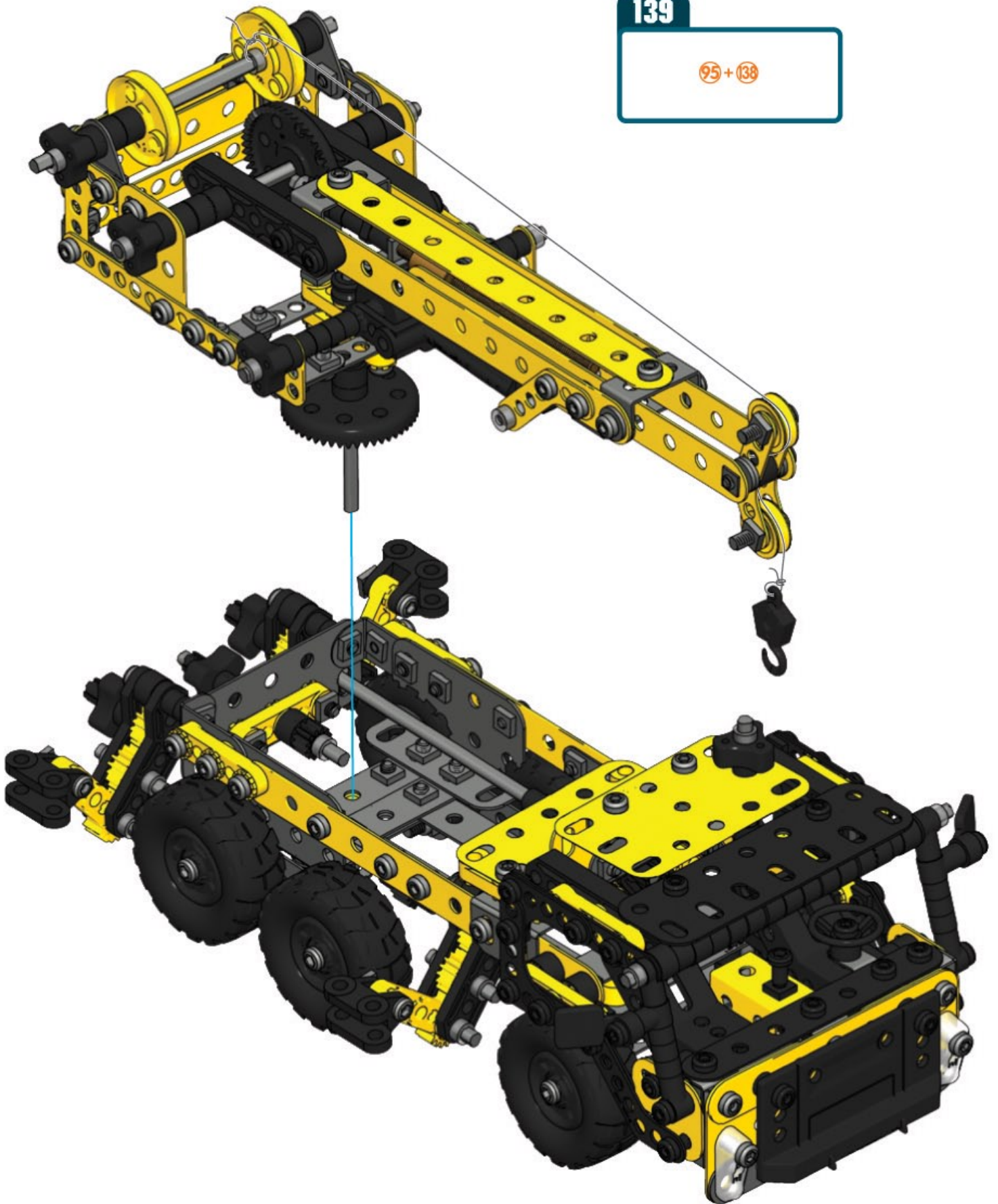


A195 (0057B) X 1

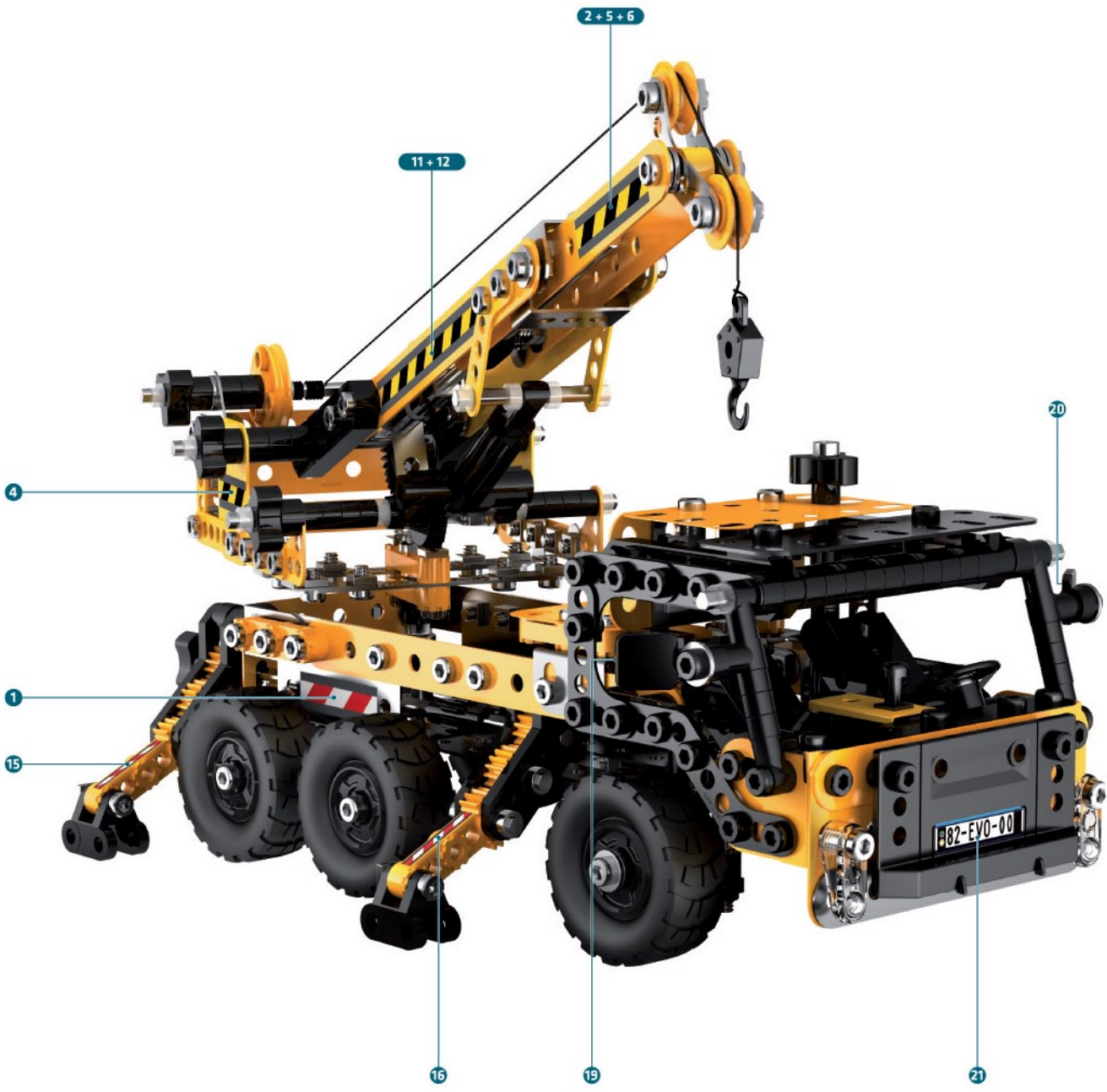
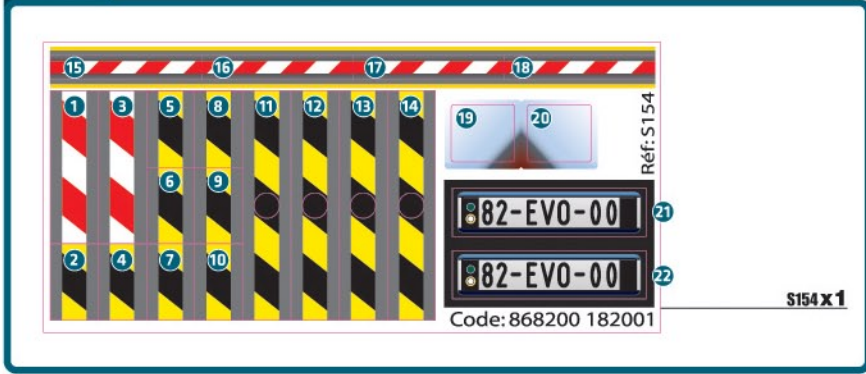


139

95 + 138



140





GB Building instructions for model #2 are available at www.meccano.com.
Only one model can be built at a time.

SA Building instructions for model #2 are available at www.erecort.us.
One model can be built at a time.

F La notice de montage pour le modèle n°2 est disponible sur www.meccano.fr.
Un seul modèle peut être construit à la fois.

D Bauanleitung für Modell Nr. 2 auf www.meccano.com erhältlich.
Es kann immer nur ein Modell auf einmal gebaut werden.

I Istruzioni di montaggio del modello n. 2 disponibili su www.meccano.com.
Dei modelli presentati è possibile realizzarne solo uno alla volta.

E Las instrucciones de construcción del modelo n° 2 están disponibles en www.meccano.com.
Los modelos presentados únicamente se pueden montar de uno en uno.

P As instruções de construção para o modelo nº. 2 encontram-se disponíveis em www.meccano.com. Apenas um dos modelos é realizável de cada vez.

S Monteringsanvisningar för modell #2 finns tillgängliga på webbplatsen www.meccano.com. Det går bara att bygga en av de visade modellerna i taget.

MK Rakennusohjeet mallille nro 2 ovat saatavissa osoitteessa www.meccano.com.
Voit tehdä vain yhden esitellyistä malleista kerrallaan.

NO Byggeinstruksjoner for model nr. 2 finnes på www.meccano.com.
Verktøj og monteringsvejledning medfølger.

NL Bouwinstructies voor model #2 zijn beschikbaar op www.meccano.com.
Je kunt slechts één model per keer maken.

GR Οδηγίες συναρμολόγησης για το μοντέλο αρ. 2 είναι διαθέσιμες στη διεύθυνση www.meccano.com. Μόνο ένα από τα μοντέλα που φαίνονται μπορεί να ολοκληρωθεί κάθε φορά.

R Инструкции по сборке модели № 2 смотрите на www.meccano.com.
За один раз можно построить всего одну модель.



GB USA Many of the models and component parts are unique and original designs which are the property of MECCANO. They are protected by national legislation as industrial designs, trademarks and/or copyrights throughout many countries. For detailed information, please contact: MECCANO. Meccano shall have no responsibility for (I) failure to follow instructions, (II) use of parts for any purpose other than as specified in the instructions (III) any alteration of any parts or components. MECCANO respects children's safety: all models are tested by children.

F De nombreux modèles et pièces sont des créations originales, propriétés de MECCANO et sont protégés par les législations nationales sur les dessins et modèles, marques et/ou droits d'auteurs. Pour toute information, merci de contacter : MECCANO. La responsabilité de MECCANO ne saurait être engagée en cas d'accident survenu à la suite (I) du non respect des instructions de montage (II) d'une utilisation des pièces autre que celle proposée dans la notice (III) d'une altération ou de la modification des pièces. La société MECCANO respecte la sécurité des enfants : ses modèles sont testés par des enfants.

D Zahlreiche Modelle und Teile sind Erfindungen und Eigentum der Firma MECCANO. Sie sind durch Inland-Gesetze über Zeichnungen und Modelle sowie Warenzeichen und/oder Urheberrechte geschützt. Für zusätzliche Auskünfte wenden Sie sich bitte an : MECCANO. Die Firma Meccano haftet nicht für Unfälle, die aus der (I) Nichteinhaltung der Bauanleitung, der (II) Verwendung anderer als in der Bauanleitung angegebenen Teile oder der (III) Änderung oder Modifikation der Teile resultieren. Alle Modelle der Firma Meccano wurden von Kindern getestet und entsprechen den Sicherheitsnormen.

I Numerosi modelli e pezzi sono creazioni originali della MECCANO e sono protetti dalle legislazioni nazionali sui disegni e modelli, marche e/o diritti d'autore. Per qualsiasi informazione, vi potete prendere contatto con : MECCANO. Meccano declina ogni responsabilità in caso d'incidenti sopravvenuti in seguito (I) al non rispetto delle istruzioni di montaggio (II) utilizzo dei pezzi per funzioni diverse da quelle previste nel manuale (III) alterazione e/o modifica dei pezzi. La società MECCANO rispetta la sicurezza dei bambini : i suoi modelli vengono testati dai bambini stessi.

E Numerosos modelos y piezas son creaciones originales, propiedades de MECCANO y están protegidos por las legislaciones nacionales en lo que concierne a los dibujos y modelos, marcas y/o derechos de autor. Para cualquier información, sírvase ponerse en contacto con : MECCANO. MECCANO carece de responsabilidad en caso de accidente debido a: (I) el incumplimiento de las instrucciones de montaje (II) una utilización de las piezas diferente a la que se indica en las instrucciones (III) una alteración o modificación de las piezas. La sociedad MECCANO respeta la seguridad de los niños : sus modelos están probados por niños.

P Vários modelos e peças são criações originais, propriedades da MECCANO e são protegidos pelas legislações nacionais relativas aos desenhos e modelos, às marcas e/ou aos direitos de autor. Para qualquer informação, é favor contactar : MECCANO. A Sociedade MECCANO não poderá ser responsabilizada pelos acidentes provocados: (I) pela falta de cumprimento das instruções de montagem (II) pelo uso indevido das peças ou (III) pela modificação ou alteração das peças. A Sociedade MECCANO respeita a segurança das crianças : os seus modelos foram testados por crianças.

S Många modeller och delar bildar en unik och originell formgivning vilken är MECCANO egendom. Dessa modeller och delar är skyddade genom lagstiftning såsom industriell formgivning, varumärke och/eller upphovsmannarätt i ett flertal länder. För mer detaljerad information, var vänlig och kontakta MECCANO. MECCANO fräntar sig allt ansvar i händelse av olycka till följd av (I) att monteringsinstruktionerna inte har respekterats (II) en annan användning av delarna än den som står i anvisningen (III) en förvanskning eller förändring av delarna. Företaget MECCANO respekterar barnsäkerheten: modellerna har testats av barn.

FIN Useat mallit ja osat ovat MECCANO:n omaisuutta olevaa alkuperäistä suunnittelua. Ne ovat kansallisilla lailla suojattua teollista tuotantoa, tavaramerkkejä ja/tai kopiointioikeuksia. Pyydämme ottamaan yhteyden MECCANO:han kaikissa asiaan liittyvissä kysymyksissä. MECCANO ei vastaa eikä kata seuraavista syistä sattuneita onnettomuuksia: (I) ohjeiden vastainen kokoaminen, (II) muiden kuin ohjeessa ehdotettujen osien käyttö, (III) osien muuntelu tai eri tarkoitukseen käyttö. MECCANO-yhtiö huolehtii lasten turvallisuudesta: lapset ovat testanneet mallimme.

DK Vore mange modeller og dele er originale fremstillinger og ejes af MECCANO. Tegninger, modeller, fabrikmærker og ophavsret er lovbeskyttede i hvert land. Yderligere oplysninger kan fås hos: MECCANO. MECCANO fraser sig ethvert ansvar, såfremt der er sket uheld forårsaget af (I) at monteringsinstruktionerne ikke er blevet overholdt, (II) at delene er blevet brugt til andre formål, end dem der er beskrevet i betjeningsvejledningen, (III) eller at delene er blevet beskadiget eller ændret, MECCANO overholder sikkerhedsreglerne for børn: Alle modeller testes af børn.

NL Veel modellen en onderdelen zijn originele ontwerpen en eigendom van MECCANO en worden beschermd door de nationale wetgeving en de tekeningen en modellen, merken en/of auteursrechten. Voor informatie gelieve contact op te nemen met MECCANO. De verantwoordelijkheid van MECCANO is uitgesloten in geval van ongevallen voortvloeiend uit het niet naleven van de montage-instructies (I), uit het gebruik van andere onderdelen dan die zoals vermeld in de handleiding (II) of uit het veranderen of modificeren van de onderdelen (III). De firma MECCANO neemt de veiligheid van de kinderen in acht : de modellen zijn door kinderen getest.

GR Πολλά μοντέλα και ανταλλακτικά είναι αυθεντικά, ιδιοκτησία της MECCANO και προστατεύονται από τις εθνικές νομοθεσίες για τα μοντέλα τις μάρκες ή τα διπλώματα ευρεσιτεχνίας. Για κάθε πληροφορία για κάθε πληροφορία παρακαλώ απευθυνθείτε στη MECCANO. Η ευθύνη της MECCANO δεν δεσμεύεται σε περίπτωση ατυχήματος που έγινε συνεχώς (I) μη σεβασμού των οδηγιών συναρμολόγησης (II) χρήσης των τεμαχίων διαφορετική από αυτήν που προτείνεται στις οδηγίες (III) καταστολή ή αλλαγή των τεμαχίων. Η εταιρεία MECCANO σεβεται την ασφάλεια των παιδιών: τα μοντέλα της δοκιμάζονται από παιδιά.

RUS Многие модели и детали набора являются уникальными. Их оригинальная концепция является собственностью компании MECCANO. Модели защищены законодательством различных стран в качестве торговой марки промышленного дизайна или на основании закона об авторских правах. Для получения более подробной информации, пожалуйста, свяжитесь с представителем MECCANO. Meccano не несет ответственности в случае: (I) несоблюдения инструкций, (II) использования деталей конструктора не по назначению, (III) любой деформации деталей конструктора. MECCANO заботится о детской безопасности: все модели тестируются детьми.

Warning! Attention! Achtung! Attenzione! ¡Atención! Aviso! Varning! Varoitus!
Advarsel! Waarschuwing! Προειδοποίηση! Внимание! Varování! Tählepanu!
İspējimas! Figyelmeztetés! Twissija! Uwaga! Atenție! Pozor! Rabhadh! Uzmanību! внимание!



GB/USA Warning! Choking Hazard. Contains small parts which could be swallowed. Not suitable for children under 3 years.

FR Attention ! Danger d'étouffement. Contient des petites pièces pouvant être absorbées. Ne convient pas aux enfants de moins de 3 ans.

D Achtung! Verschluckungsgefahr. Enthält verschluckbare Kleinteile. Nicht für Kinder unter 3 Jahren geeignet.

I Attenzione, pericolo di soffocamento! Contiene pezzi piccoli che potrebbero essere ingoiati. Non adatto ai bambini sotto i 3 anni.

E ¡Atención! Riesgo de asfixia. Contiene piezas pequeñas que un niño podría tragarse. No conviene a los niños menores de 3 años.

P Aviso! Perigo de se engasgar. Contém peças pequenas que podem ser engolidas. Não aconselhável a crianças com menos de 3 anos.

S Varning! Risk för kvävning. Innehåller små delar som kan sväljas. Ej lämplig för barn under 3 års ålder.

FIN Varoitus! Tukehtumisvaara. Sisältää pieniä osia, jotka voidaan niellä. Ei sovellu alle 3-vuotiaalle lapsille.

DK Advarsel! Fare for slugning. Indeholder små dele, som kan sluges. Ikke velegnet for børn under 3 år.

NL Waarschuwing ! Verstikkingsgevaar. Bevat kleine onderdelen die kunnen worden ingeslikt. Niet geschikt voor kinderen onder 3 jaar.

GR Προειδοποίηση! Κίνδυνος πνιγμού. Περιέχει μικρά εξαρτήματα που θα μπορούσαν να καταποθούν. Ακατάλληλο για παιδιά κάτω από 3 ετών.

BULGARIAN Внимание! Опасност от задушаване. Съдържа малки части, които могат да бъдат погълнати. Не е подходящо за деца под 3 години.

CZECH Varování ! Nebezpečí udušení. Obsahuje malé díly, které by mohly být spolknuty. Nevhodné pro děti do 3 let.

ESTONIAN Tählepanu ! Lämbumisoht. Sisaldab väikseid osi, mida saab alla neelata. Ei sobi alla 3. aasta vanustele lastele.

LITHUANIAN Įspėjimas! Uždusimo pavojus. Yra smulkių dalių, kurias galima nuryti. Netinka vaikams iki 3 metų.

HUNGARIAN Figyelmeztetés! Fulladásveszély. Apró alkatrészeket tartalmaz, amelyeket a gyermekek lenyelhetnek. 3 évesnél fiatalabb gyermekek számára nem alkalmas.

MALTESE Twissija! Periklu li wiehed jifga. Fih partijiet iżgħar li jistgħu jinbelgħu. Mhuw ied adattat għal tfał iżgħar minn 3 snin.

POLISH Uwaga! Ryzyko uduszenia. Zawiera małe części, które mogą zostać połknięte. Produkt nieodpowiedni dla dzieci poniżej 3 lat.

ROMANIAN Atenție! Pericol de sufocare. Conține piese mici care pot fi înghițite. Interzis copiilor sub 3 ani.

SLOVAK Pozor ! Nebezpečnosť udusenía. Obsahuje malé diely, ktoré je možné prehltnúť. Nie je vhodné pre deti mladšie ako 3 roky.

SLOVENIAN Pozor ! Nevarnost zadušitve. Vsebuje majhne dele, ki jih je možno zaužiti. Ni primerno za otroke, mlajše od 3 let.

IRISH Rabhadh! Guais Tachta. Píosaí beaga ann a fhéadhfadh a bheith insúite. Níl an bréagán seo oiriúnach do pháistí atá níos óige ná trí bhliain d'aois.

LATVIAN Uzmanību! Nosmakšanas draudi. Satur sīkas detaļas, kuras var tikt norītas. Nav piemērots bērniem, kas jaunāki par 3 gadiem.

RUSSIA Внимание! Возможен риск удушья. В наборе имеются мелкие детали, которые легко проглотить. Противопоказан детям младше 3 лет.



363, avenue de Saint Exupéry, 62100 Calais - France

<http://www.meccano.com> <http://www.erektor.us>

© 06/2013 MECCANO

®MECCANO and EREKTOR are exclusive trademarks of MECCANO

All Rights Reserved.

