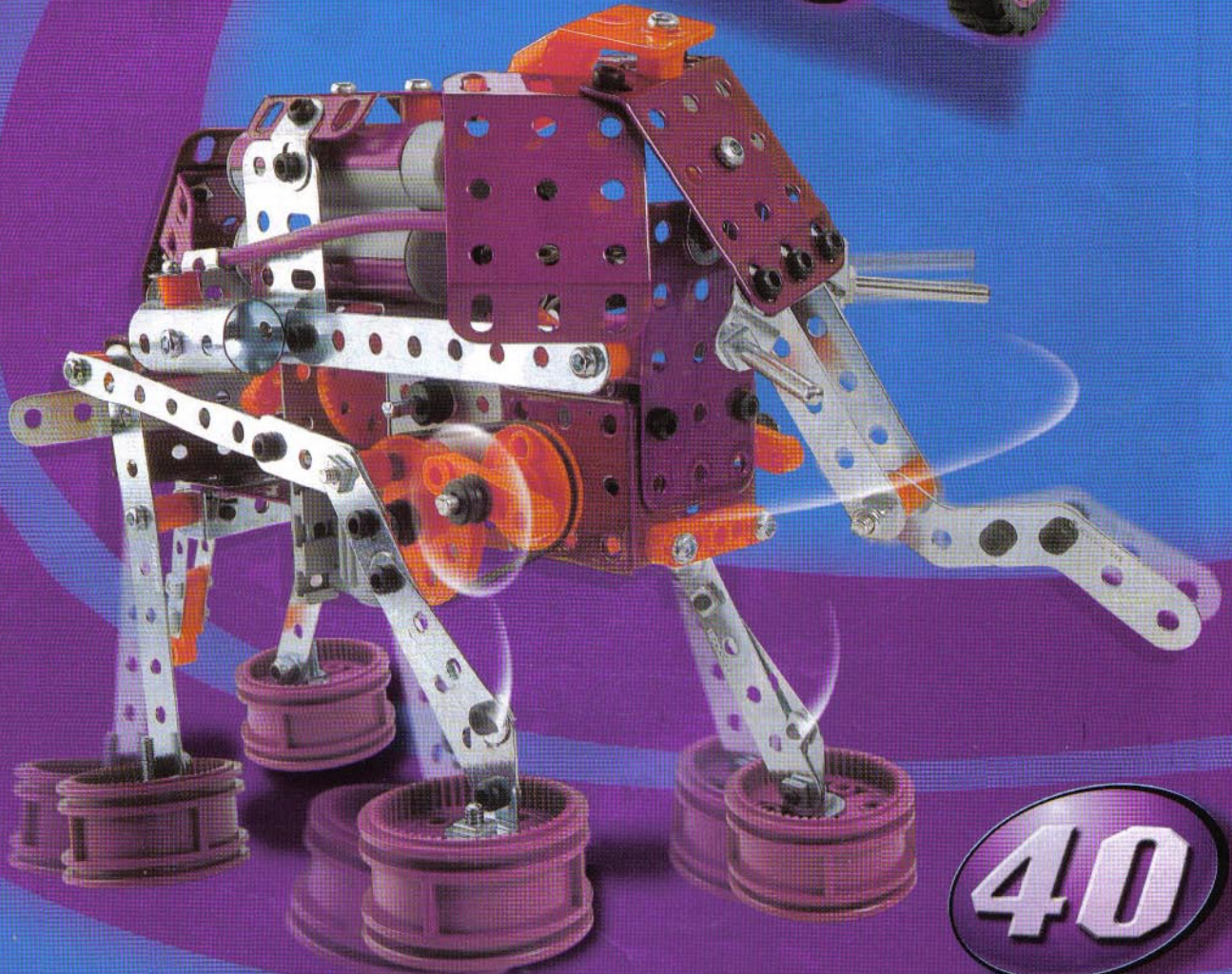


INSTRUCTIONS
 NOTICE DE MONTAGE
 BAUANLEITUNG
 ISTRUZIONI DI MONTAGGIO
 INSTRUCCIONES DE MONTAJE
 INSTRUÇÕES DE MONTAGEM
 MONTERINGSANVISNING
 KOKOAMISOHJE
 MONTERINGS INSTRUKTIONER
 MONTAGEHANDLEIDING

Οδηγίες συναρμολόγησης.
 組立説明書



MOTION SYSTEM

8540

40



387

PARTS-PIECES-TEILE
 PEZZI-PIEZAS-PEÇAS
 DELAR-OSAAT-LÖSDELE
 ONDERDELEN-TEMAXIA-部品

40

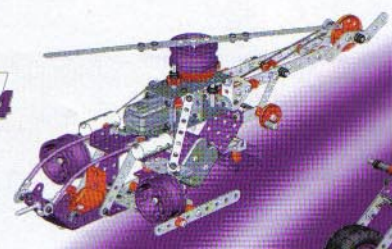
MODELS-MODELES-MODELLE
 MODELLI-MODELOS-MODELOS
 MODELLER-MALLIA-MODELLER
 MODELLEN-MONTEA-モデル

8-13

7



14



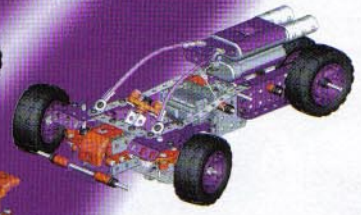
10



23



19



32



27



41



36



46



51



72



56



61



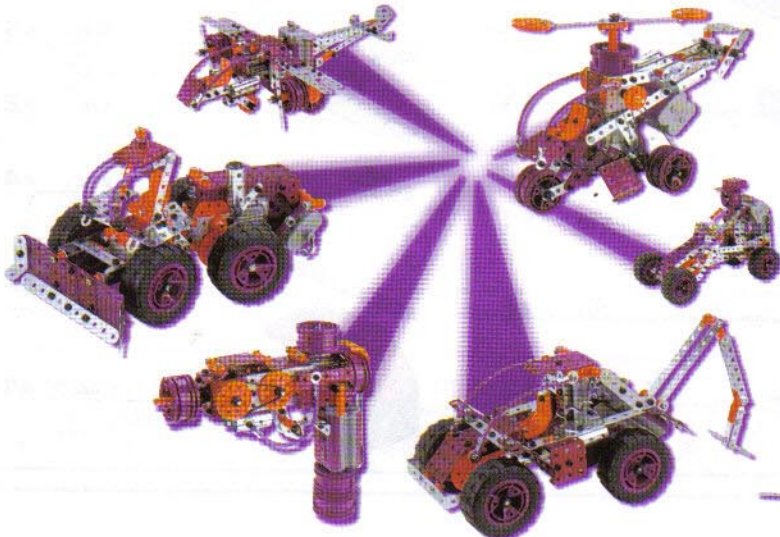
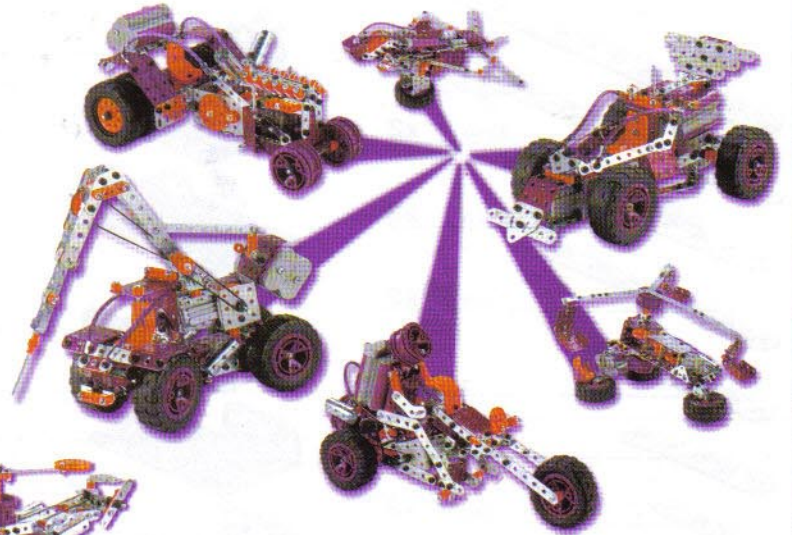
76



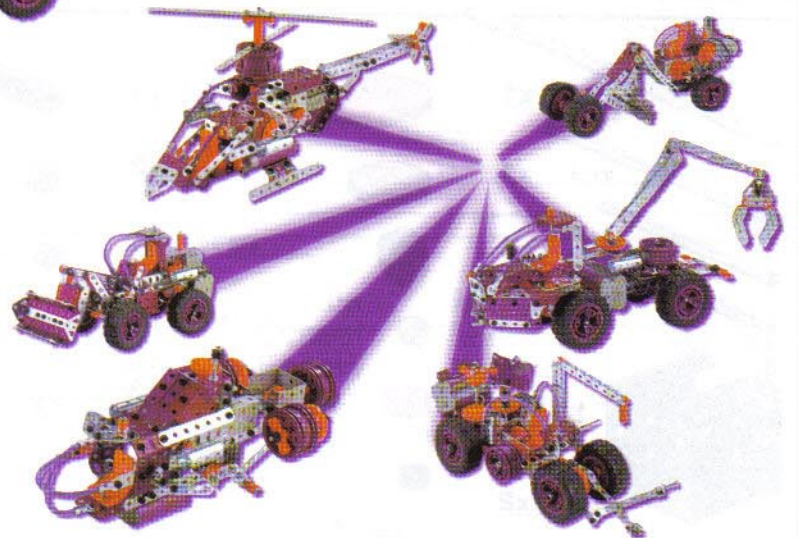
67



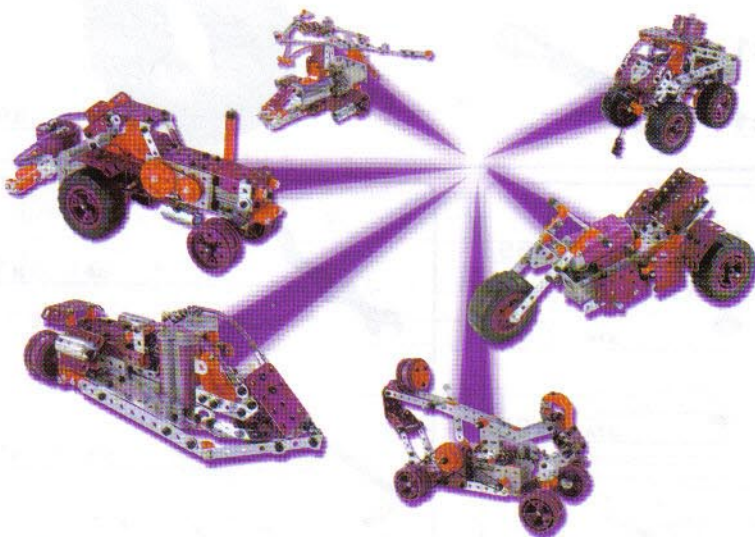
84...



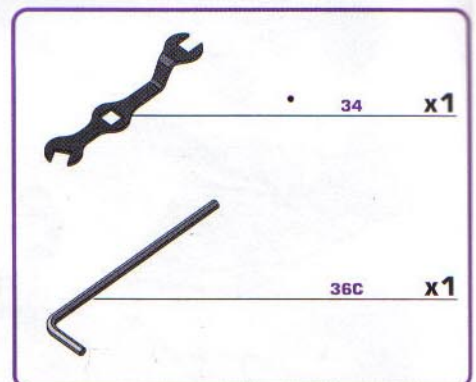
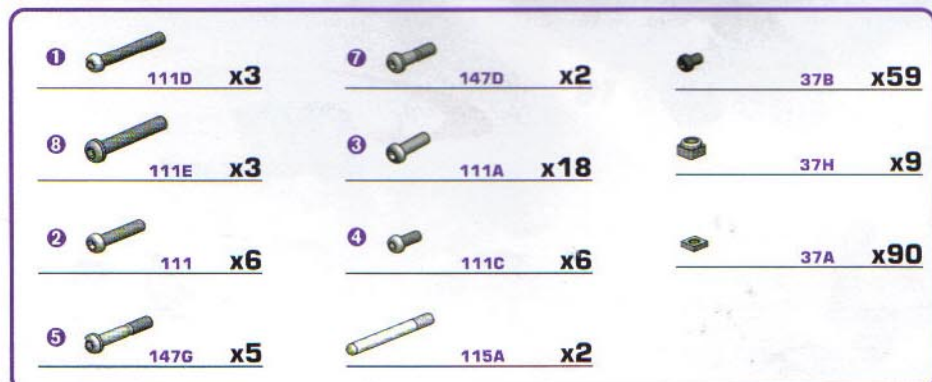
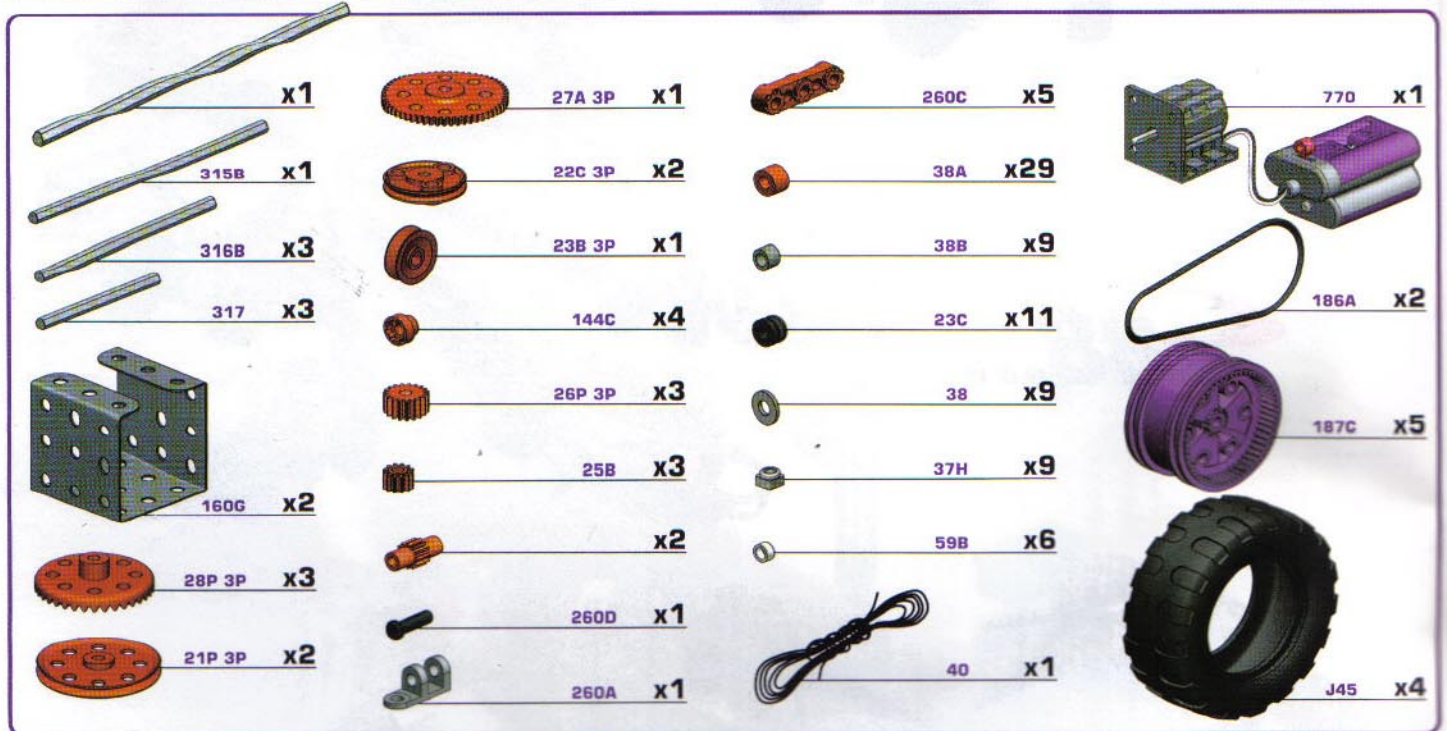
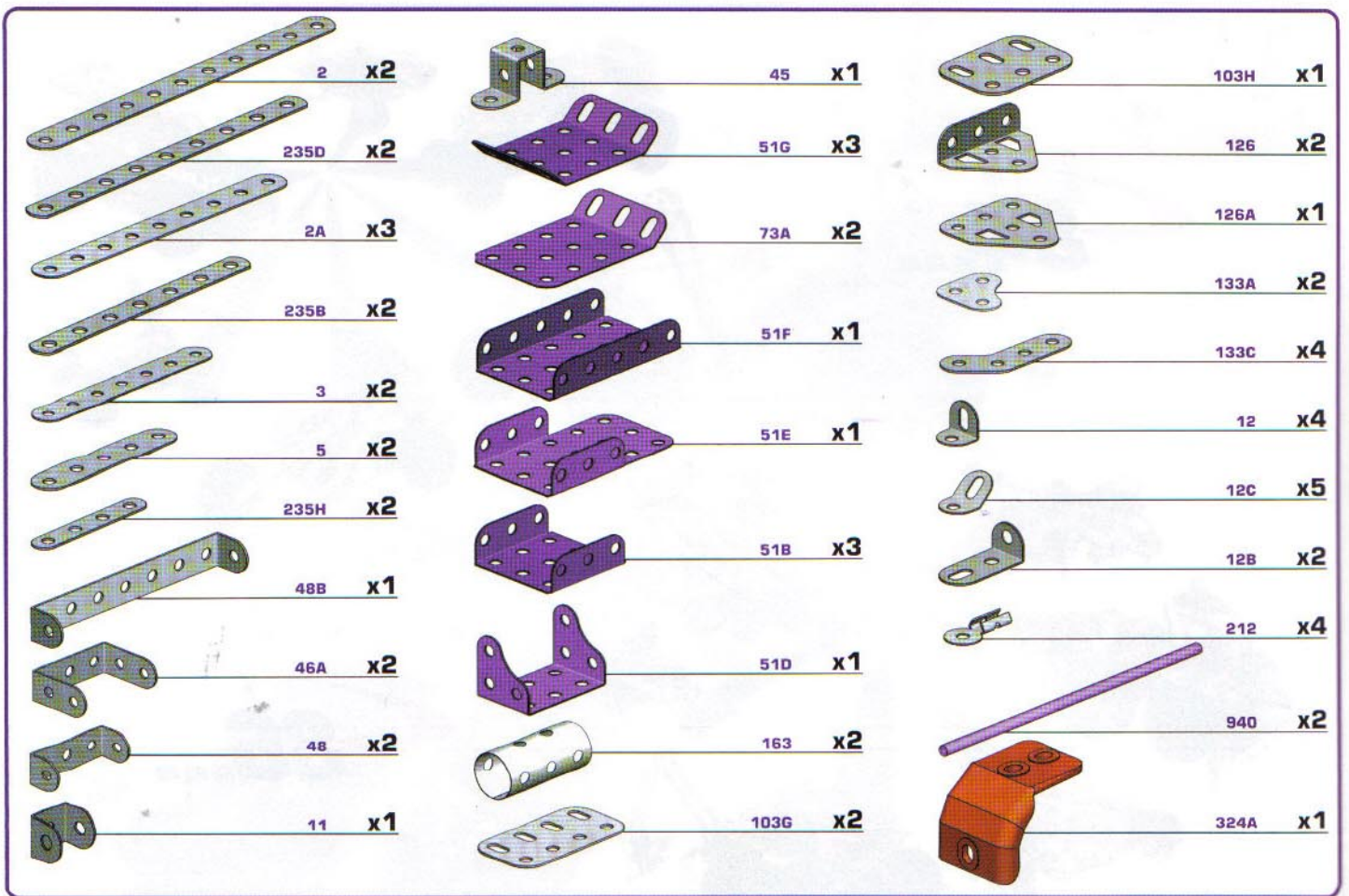
86...

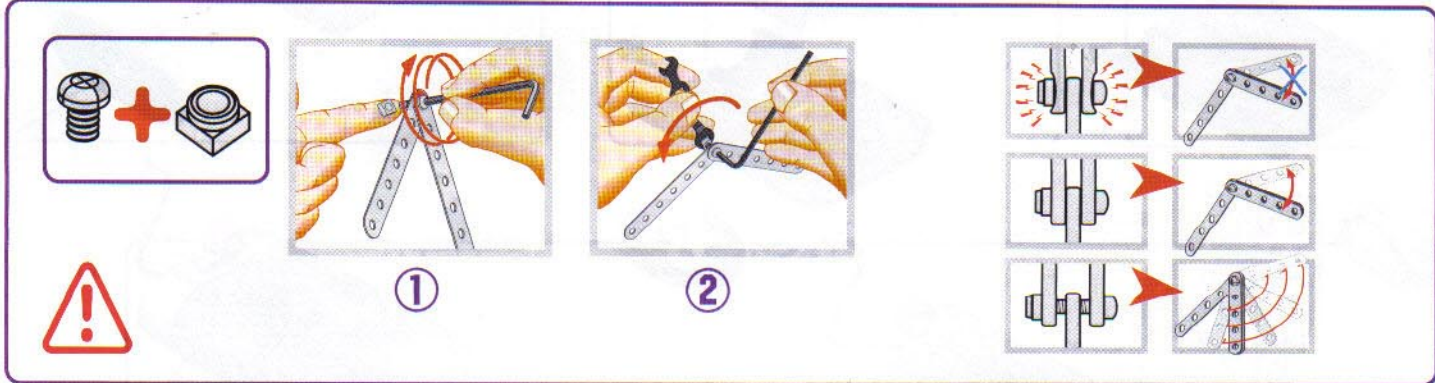
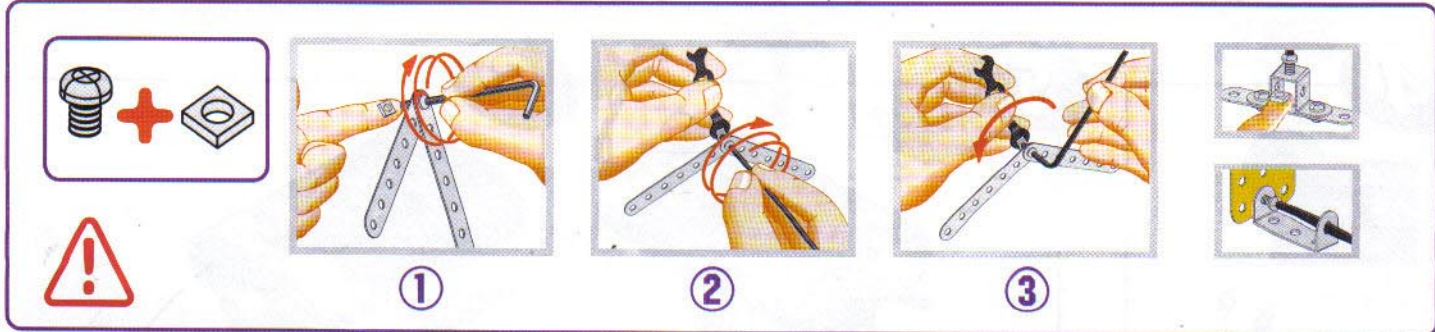
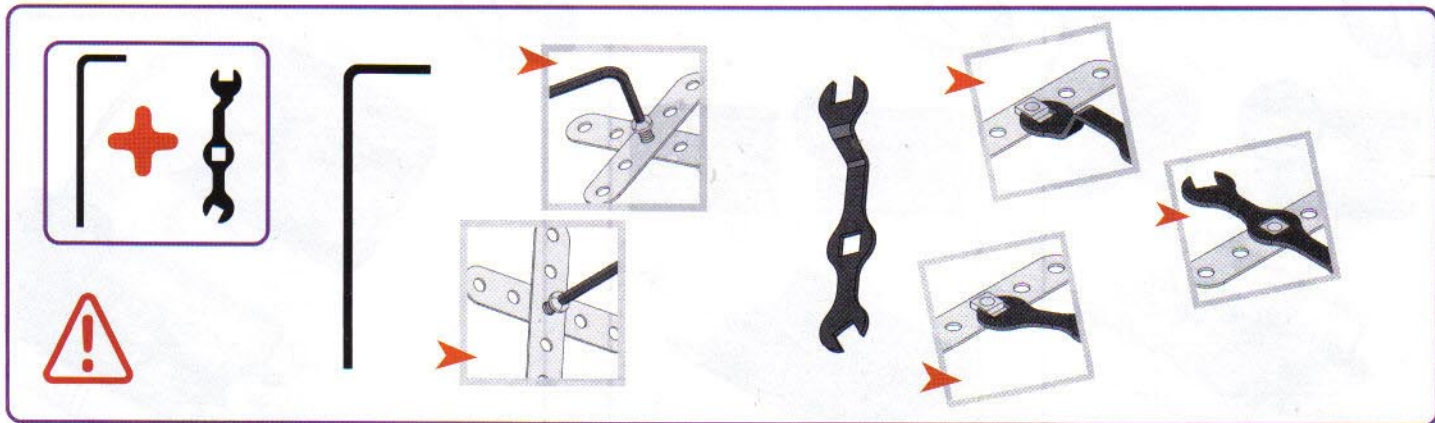


88...



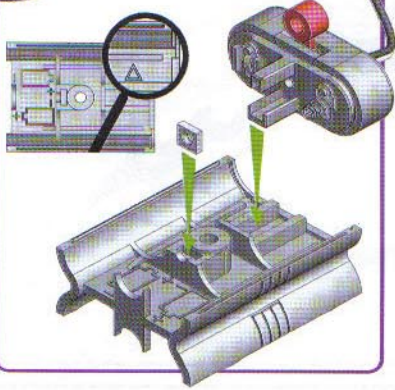
90...



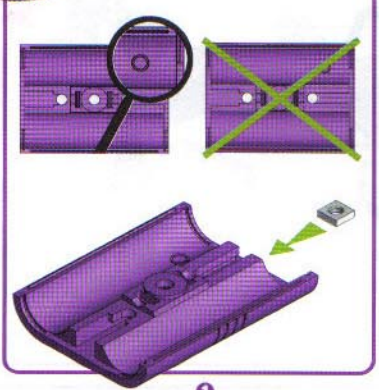


28 mm 1 1/8"		<p>Scale Échelle Maßstab Scala</p> <p>Escala Schaal Escala Skala</p> <p>Mittakaava Målestok Κλίμακα スケール</p> <p>1:1</p>
25,4 mm 1"		
23 mm 29/32"		
19 mm 3/4"		
14,7 mm 9/16"		
12 mm 1/2"		
9,5 mm 3/8"		
5,8 mm 15/64"		
50 mm 2"		
75 mm 3"		
100 mm 4"		
120 mm 4 3/4"		

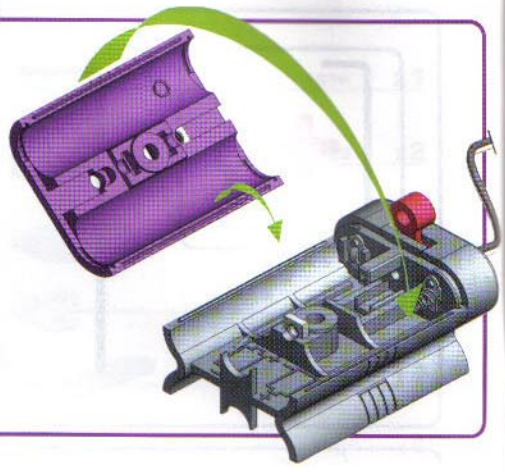
1



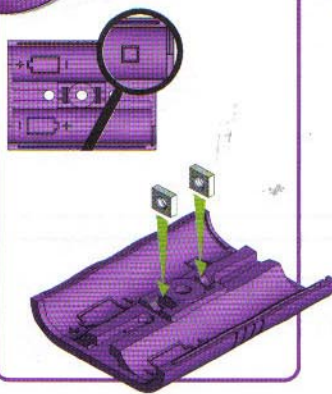
2



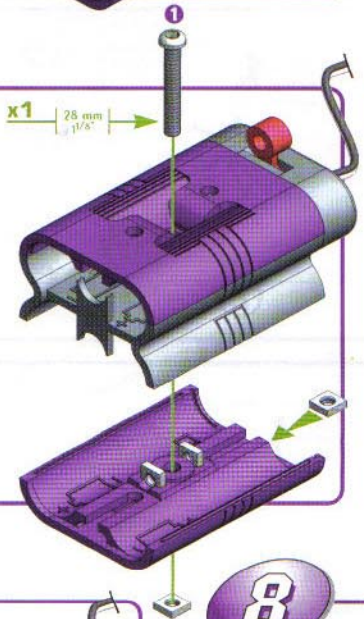
3



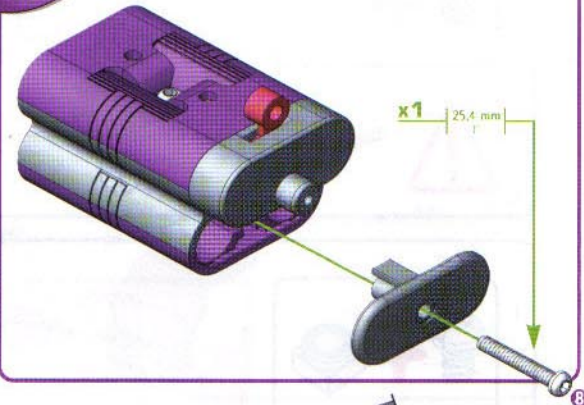
4



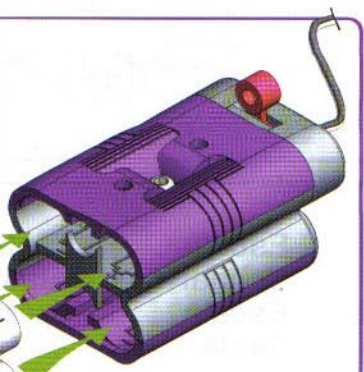
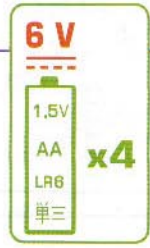
5



6



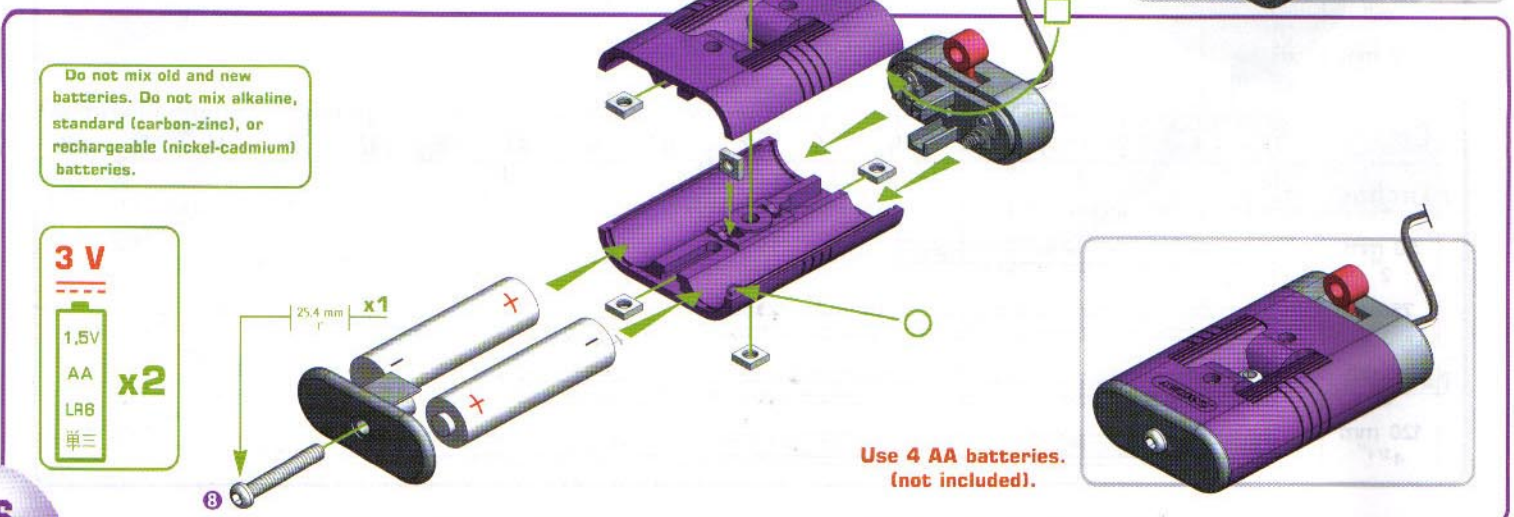
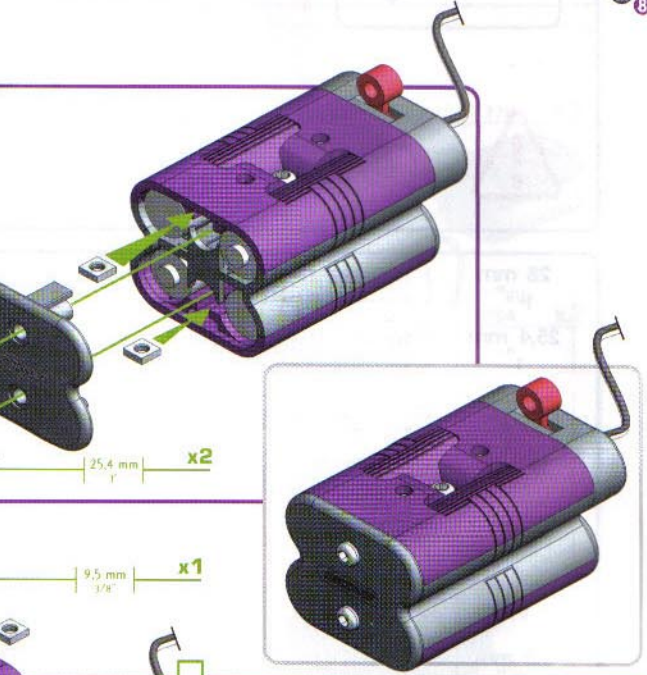
7



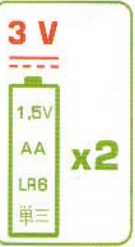
Do not mix old and new batteries. Do not mix alkaline, standard (carbon-zinc), or rechargeable (nickel-cadmium) batteries.

Use 4 AA batteries. (not included).

8



Do not mix old and new batteries. Do not mix alkaline, standard (carbon-zinc), or rechargeable (nickel-cadmium) batteries.



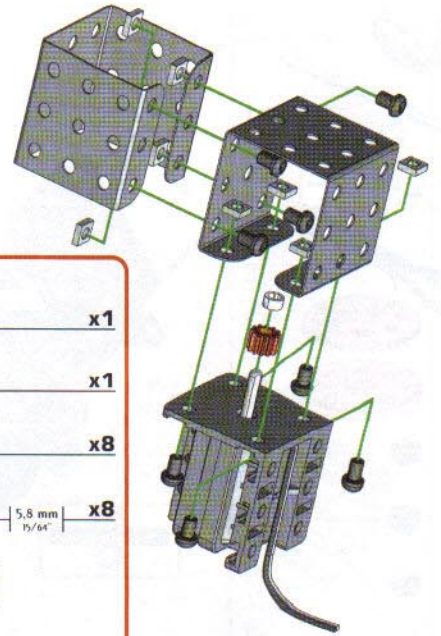
Use 4 AA batteries. (not included).

6



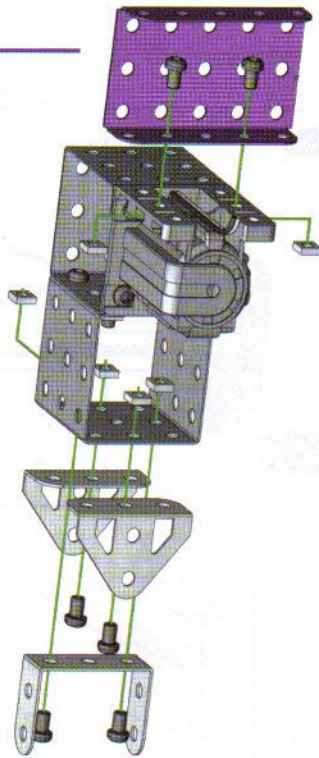
1

- x2
- x1
- x1
- x8
- x1
- 5,8 mm | 15/64" x8



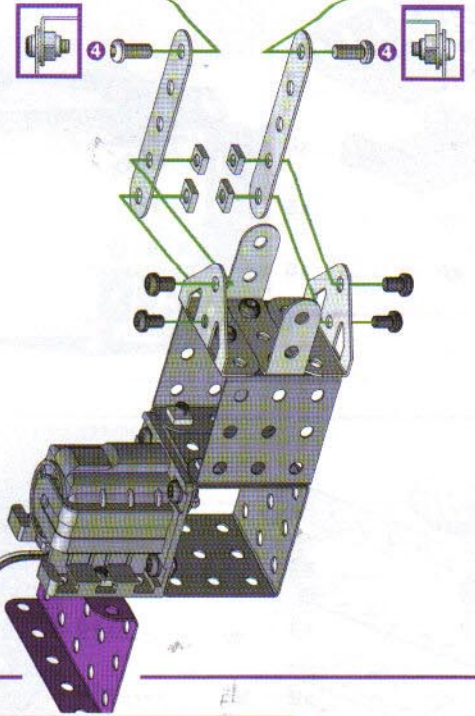
2

- x1
- x1
- x2
- x6
- 5,8 mm | 15/64" x6



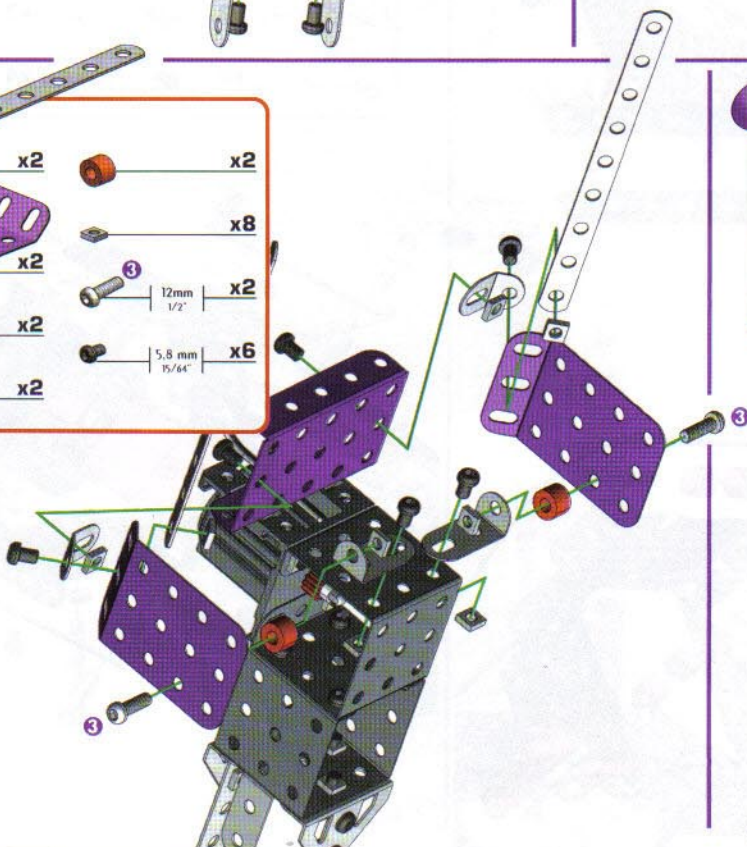
3

- x2
- x1
- x2
- x2
- x4
- 9,5 mm | 3/8" x2
- 5,8 mm | 15/64" x4



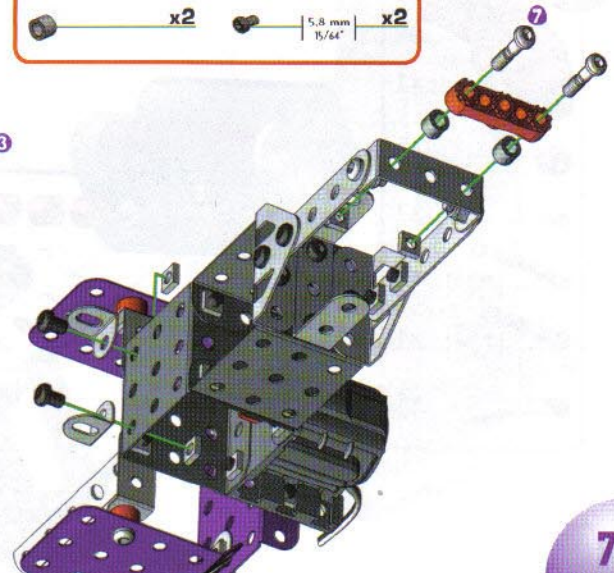
4

- x2
- x2
- x2
- x2
- x2
- x2
- x8
- 12mm | 1/2" x2
- 5,8 mm | 15/64" x6

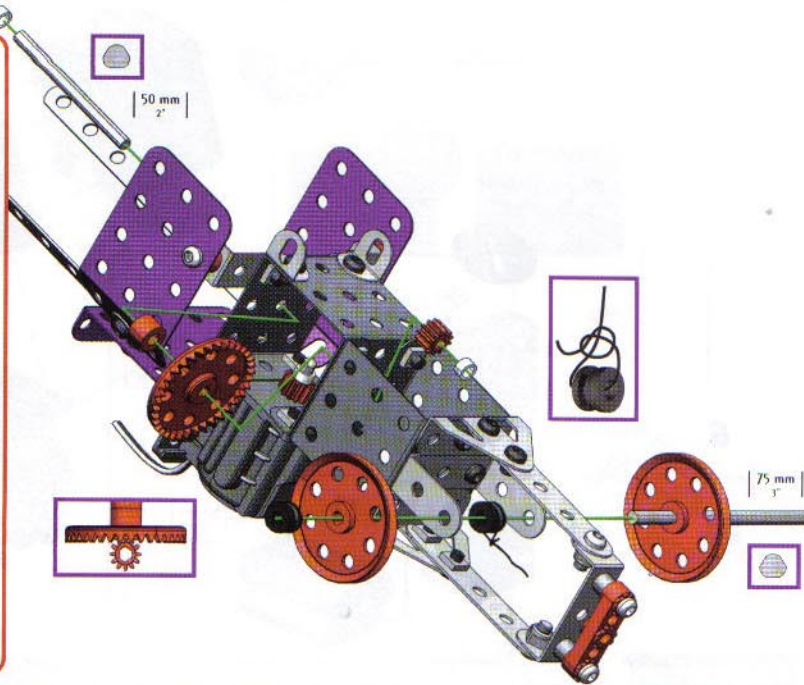


5

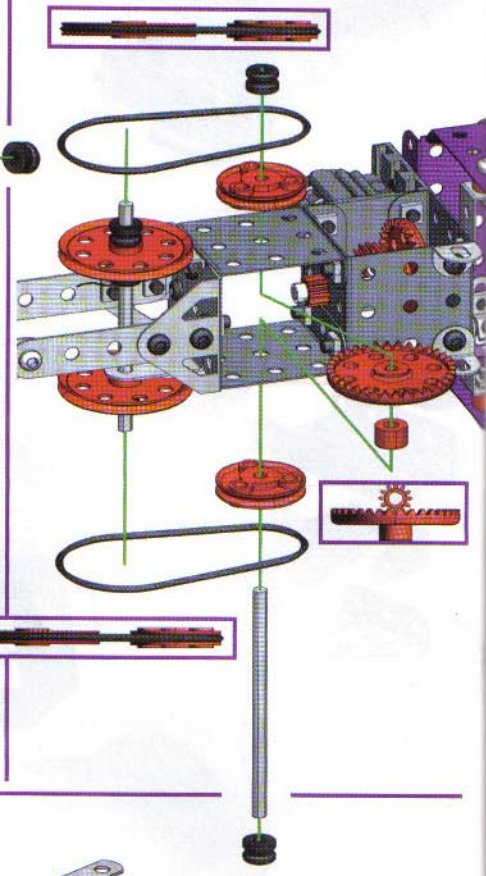
- x1
- x2
- x2
- x4
- 14,7 mm | 9/16" x2
- 5,8 mm | 15/64" x2



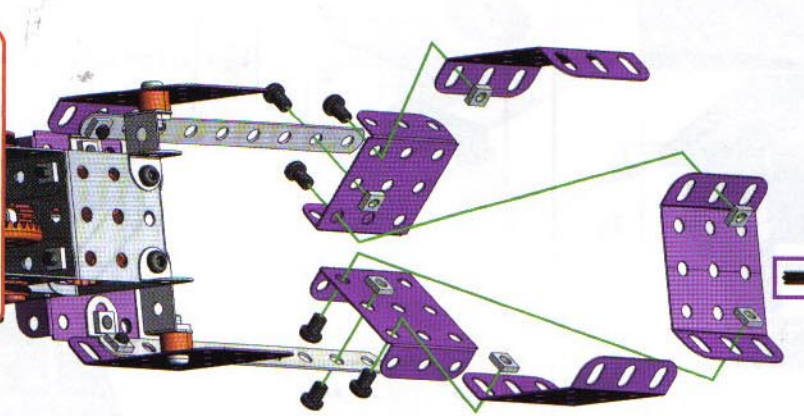
- 6**
- 75 mm $\frac{3}{1}$ x1
 - 50 mm $\frac{2}{1}$ x1
 - 1,50 mm $\frac{59}{40}$ x1
 - Gear x1
 - Gear x2
 - Pin x1
 - Pin x3
 - Pin x1
 - Pin x2



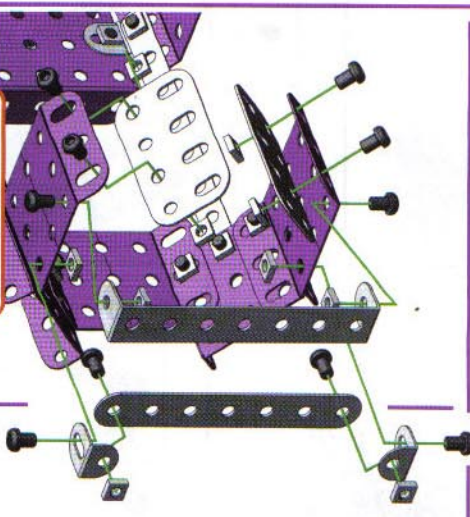
- 7**
- 75 mm $\frac{3}{1}$ x1
 - Gear x2
 - Pin x2
 - Pin x1
 - 150 mm $\frac{6}{1}$ x2
 - Gear x1



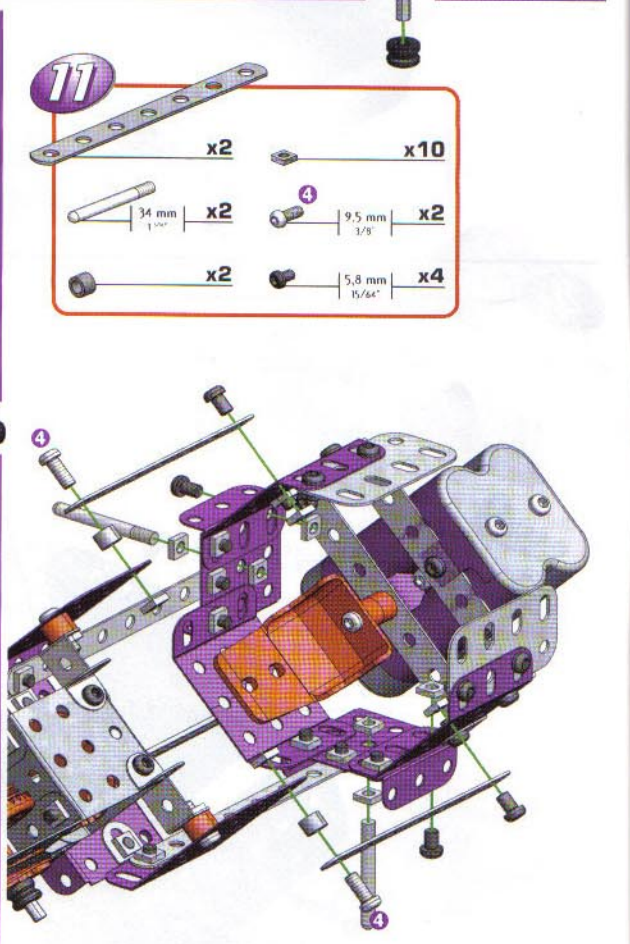
- 8**
- Plate x3
 - Plate x2
 - Pin x6
 - 5,8 mm $\frac{15}{64}$ x6



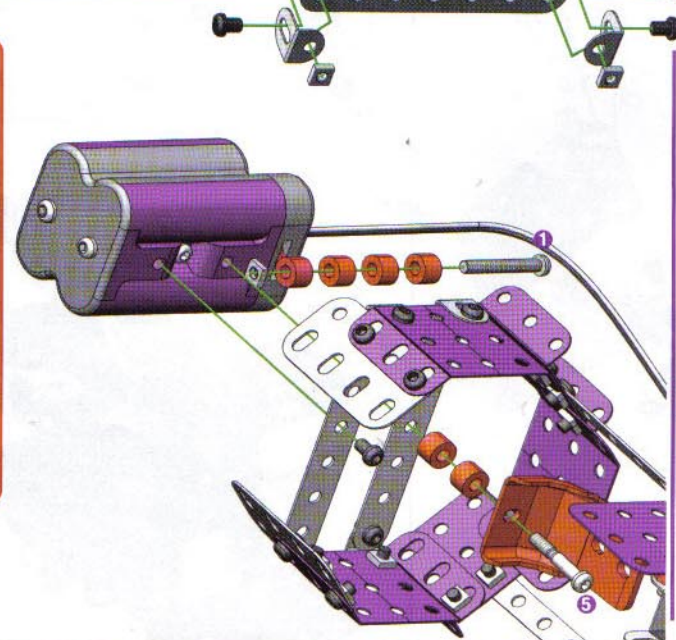
- 9**
- Plate x1
 - Pin x2
 - Pin x1
 - Pin x10
 - 5,8 mm $\frac{15}{64}$ x10



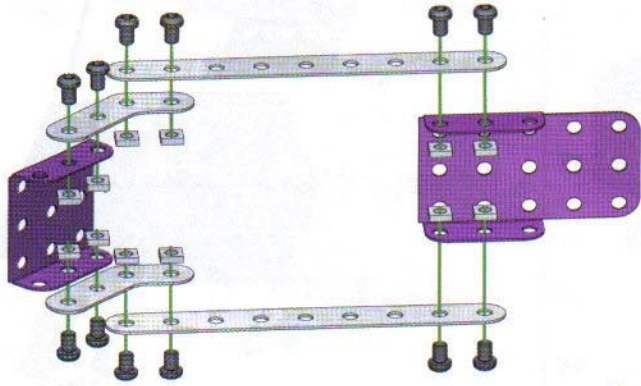
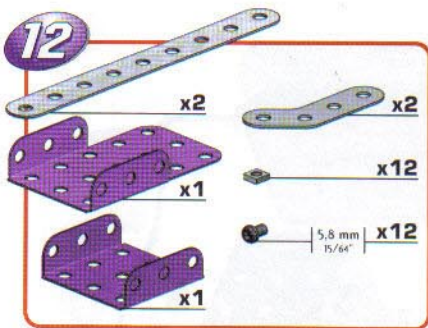
- 11**
- Plate x2
 - Pin x2
 - Pin x10
 - 34 mm $\frac{13}{4}$ x2
 - 9,5 mm $\frac{3}{8}$ x2
 - 5,8 mm $\frac{15}{64}$ x4



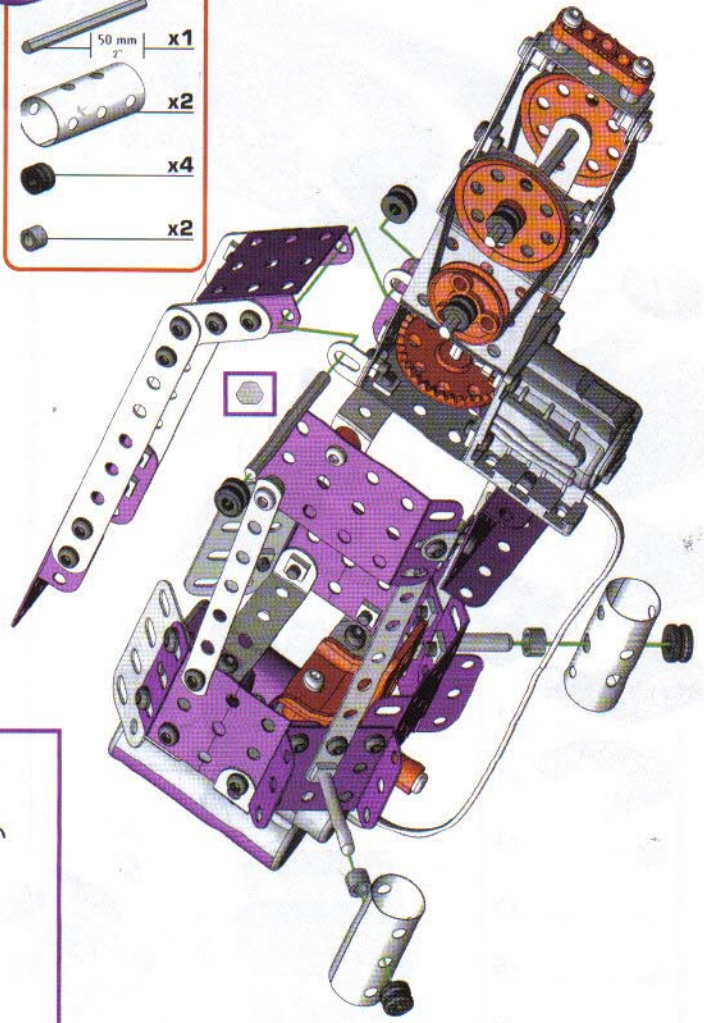
- 10**
- Block x1
 - Pin x5
 - Pin x1
 - 28 mm $\frac{11}{4}$ x1
 - 23 mm $\frac{29}{12}$ x1
 - 5,8 mm $\frac{15}{64}$ x1



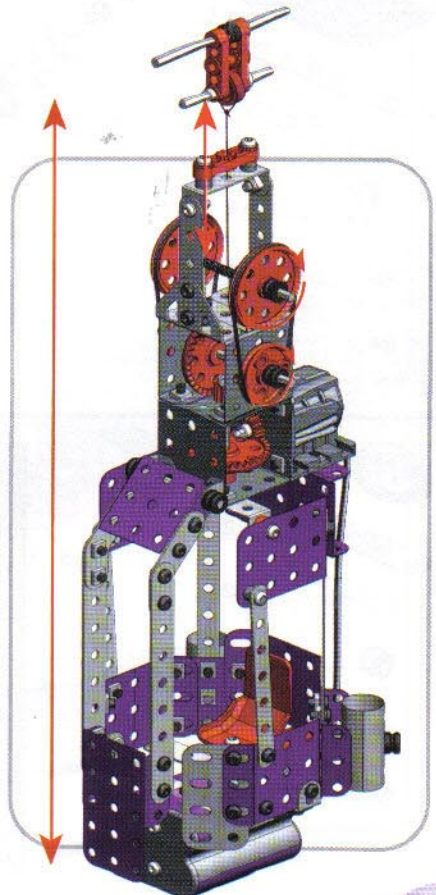
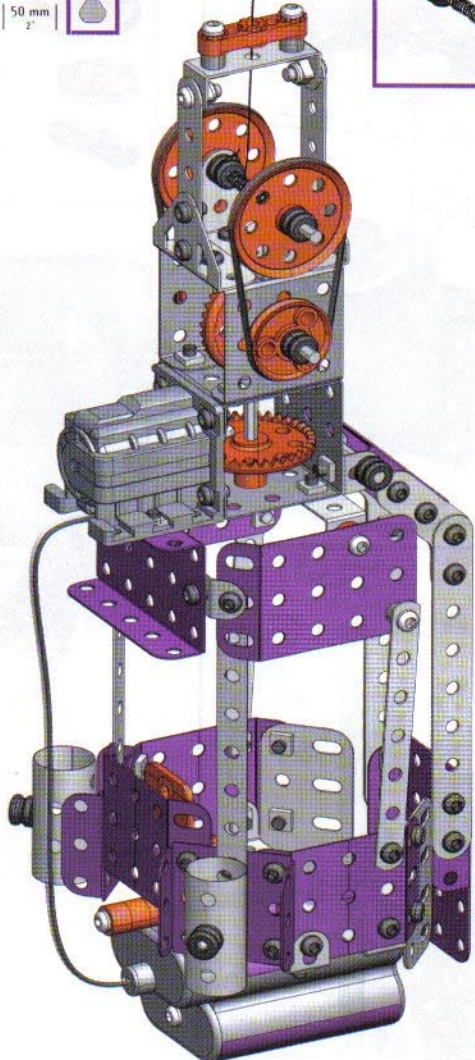
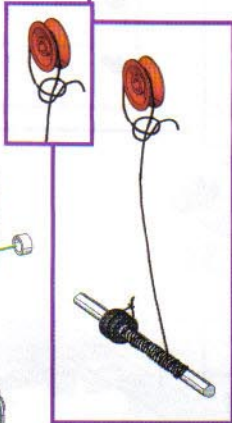
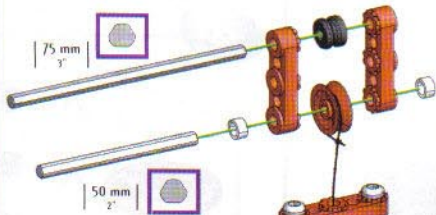
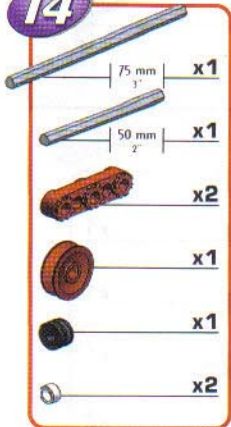
12

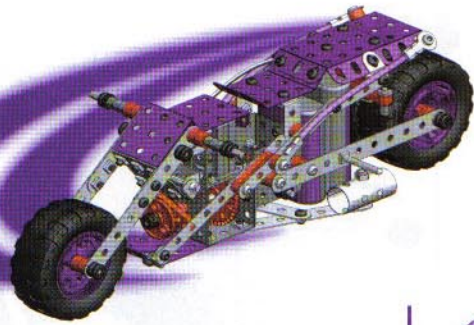


13

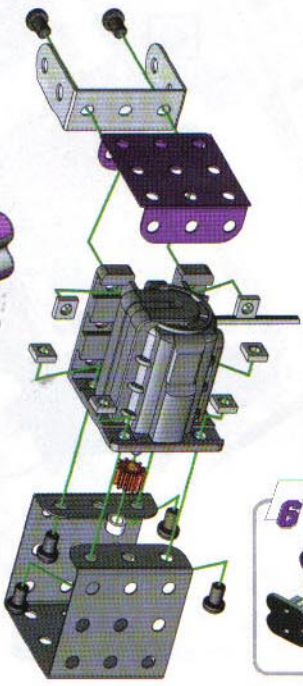


14

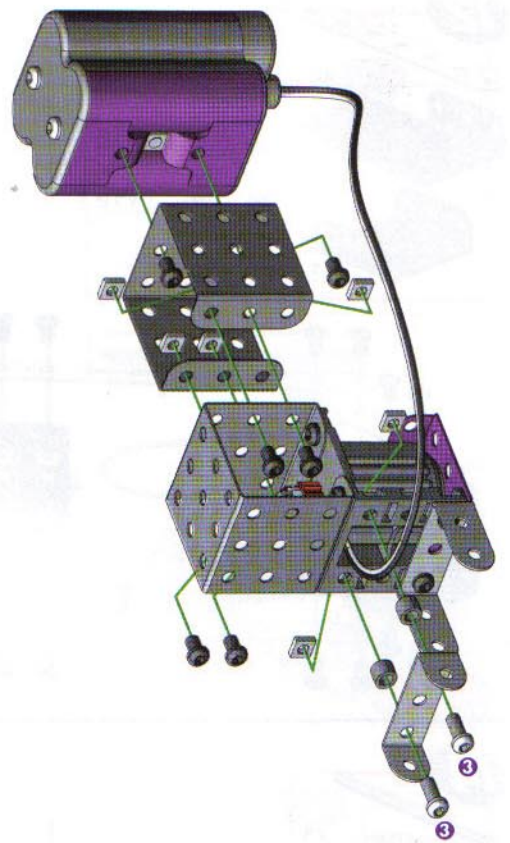




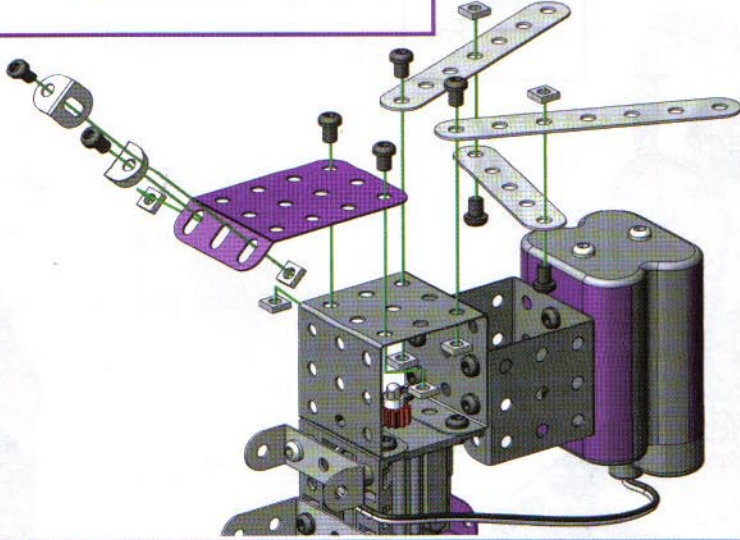
- 1**
- x1
 - x1
 - x1
 - x1
 - x1
 - x1
 - x6
 - x6



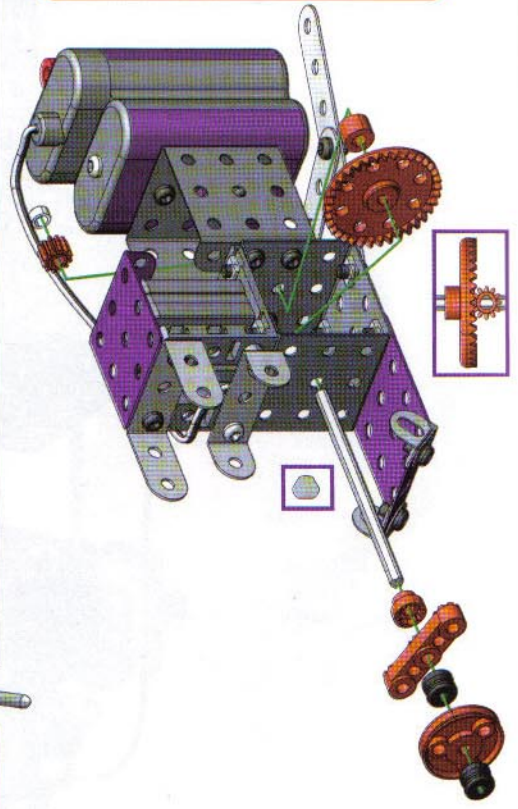
- 2**
- x1
 - x1
 - x2
 - x6
 - x2
 - x6



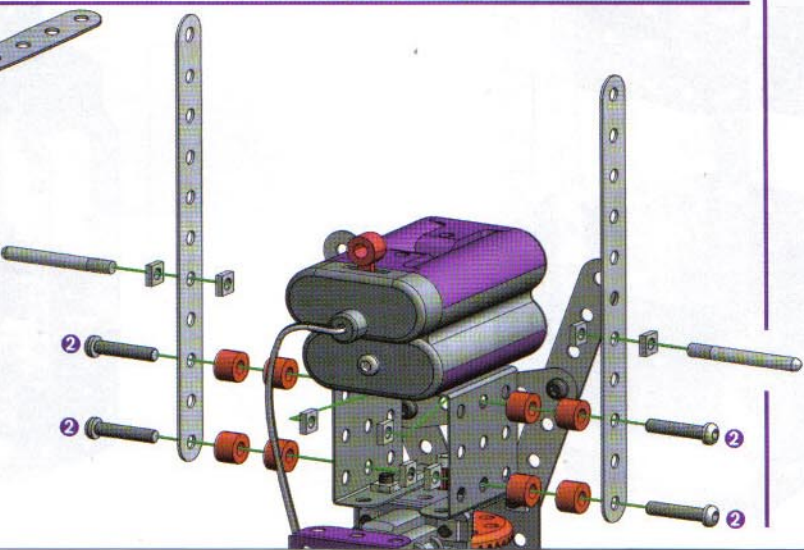
- 3**
- x1
 - x2
 - x1
 - x2
 - x8
 - x8



- 4**
- x1
 - x1
 - x1
 - x1
 - x1
 - x1
 - x2
 - x1

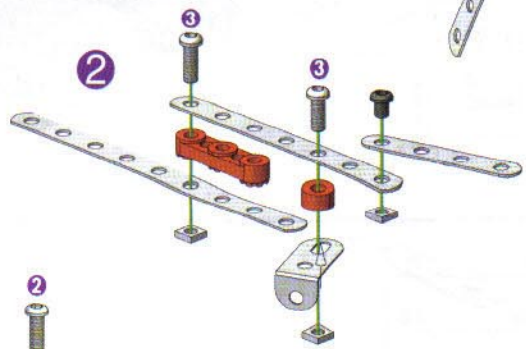
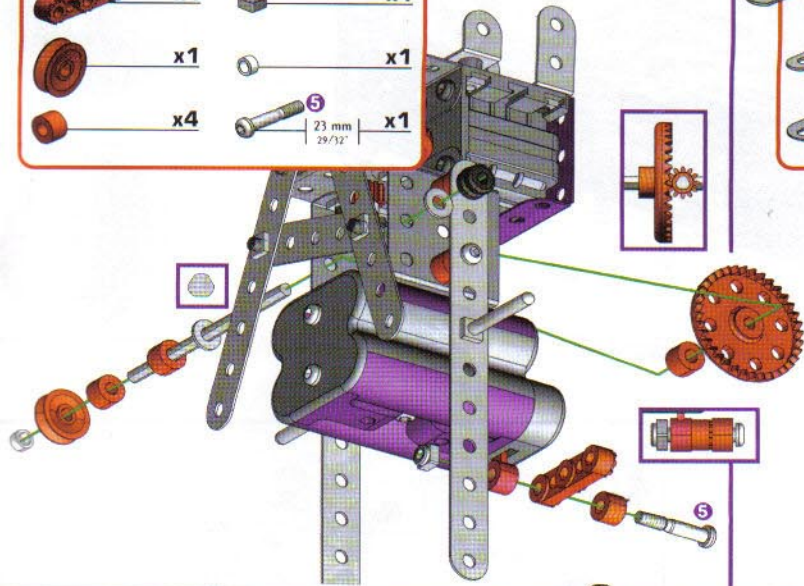
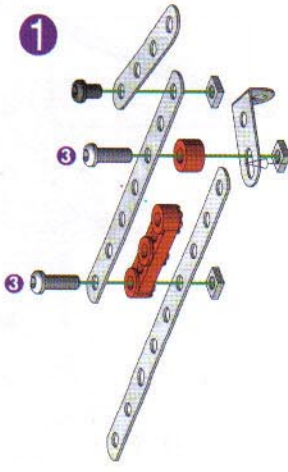


- 5**
- x2
 - x2
 - x8
 - x8
 - x4

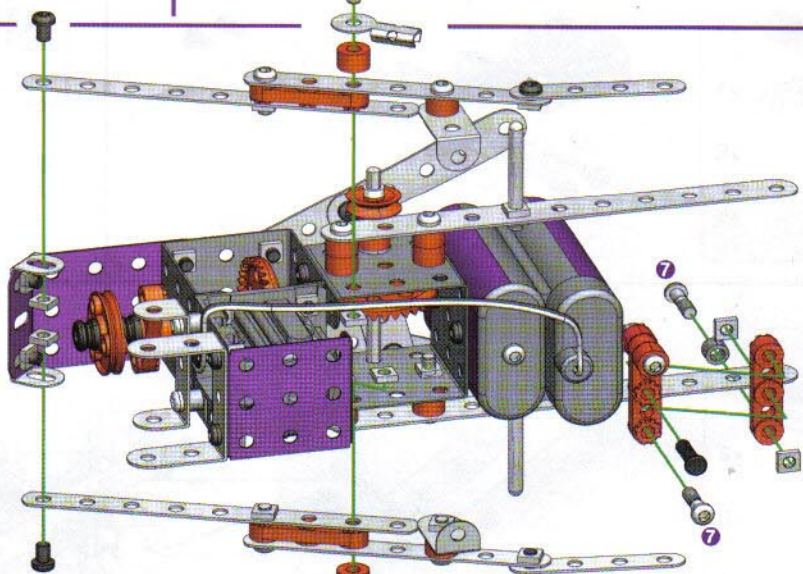


- 6**
- 75 mm x1
 - x2
 - x1
 - x1
 - x1
 - x1
 - x1
 - x1
 - x1
 - 23 mm 29/32" x1

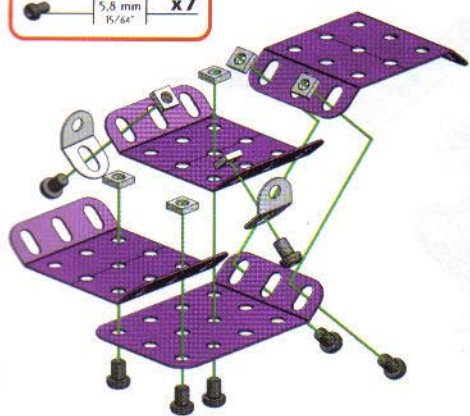
- 7**
- x2
 - x2
 - x2
 - x2
 - x2
 - 12mm 1/2" x4
 - 5,8 mm 5/64" x2



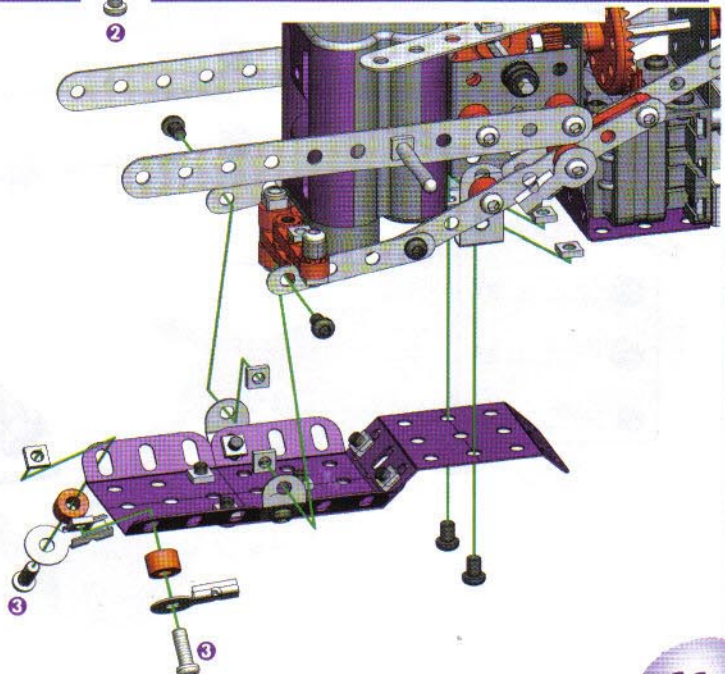
- 8**
- x1
 - x2
 - x1
 - x2
 - x1
 - x6
 - 19 mm 3/4" x2
 - 14,7 mm 9/16" x2
 - 5,8 mm 5/64" x2

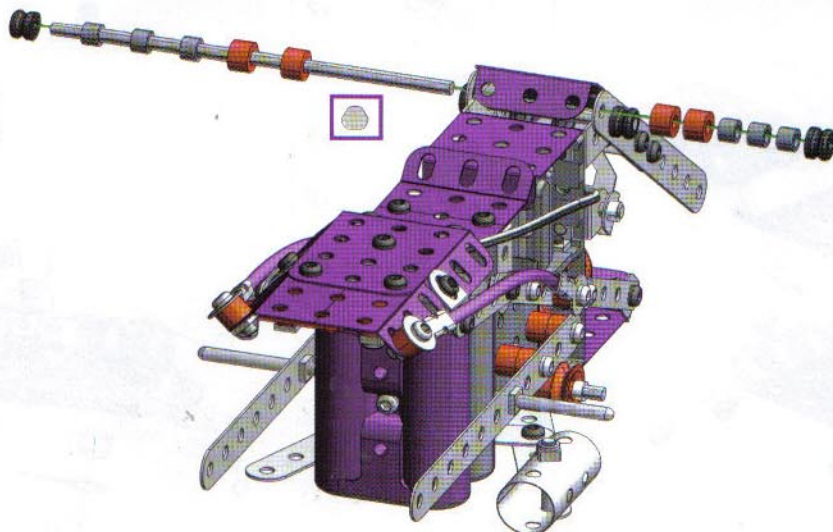
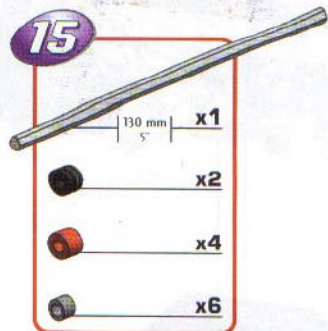
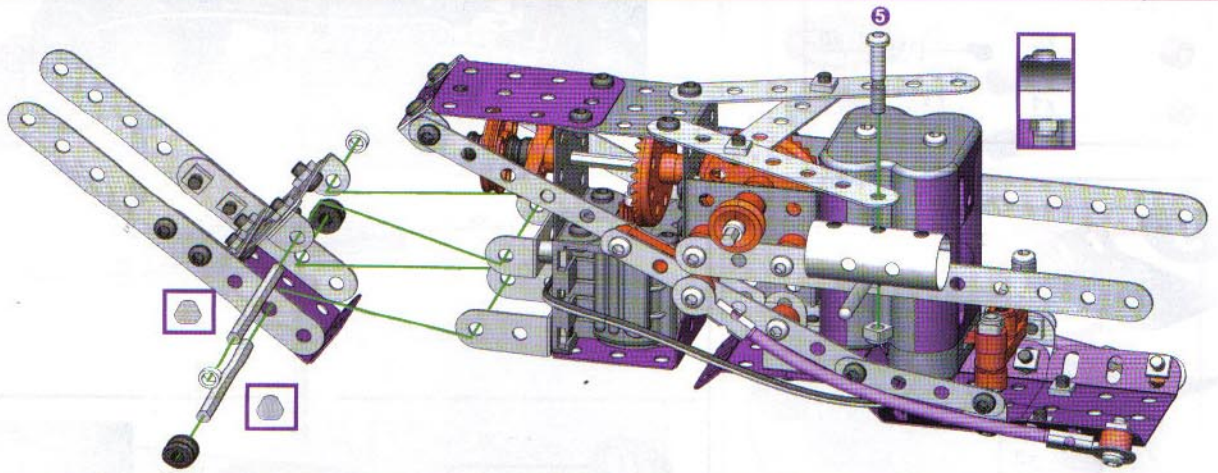
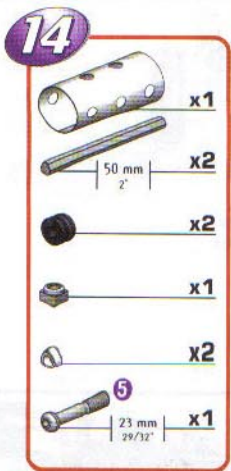
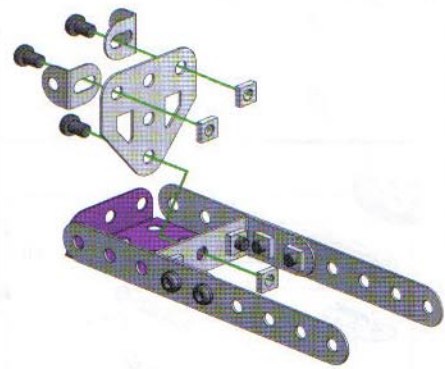
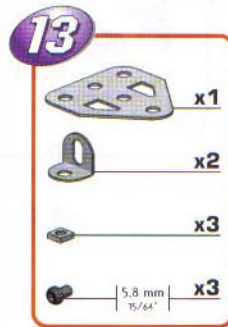
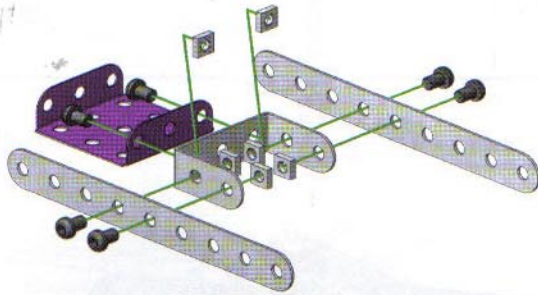
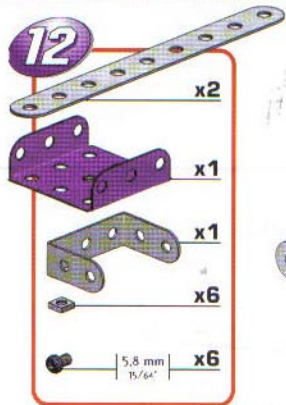
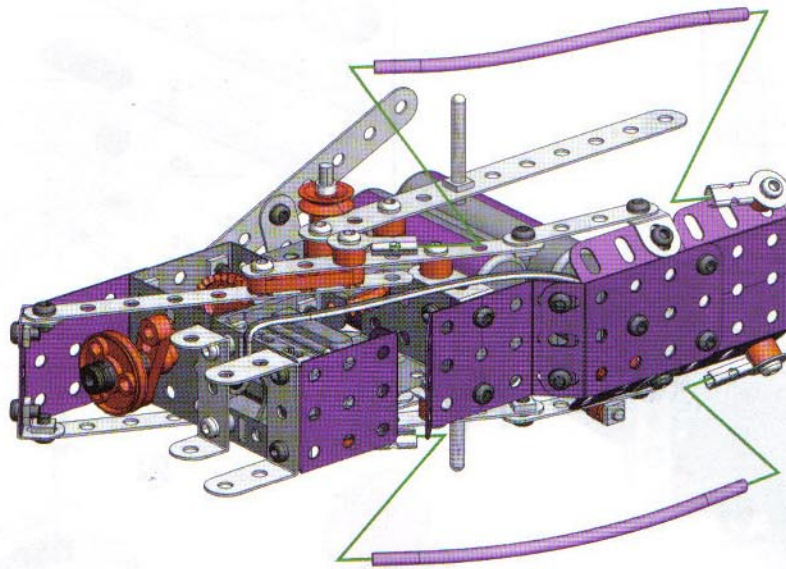
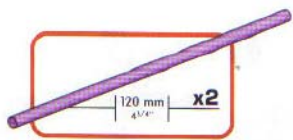


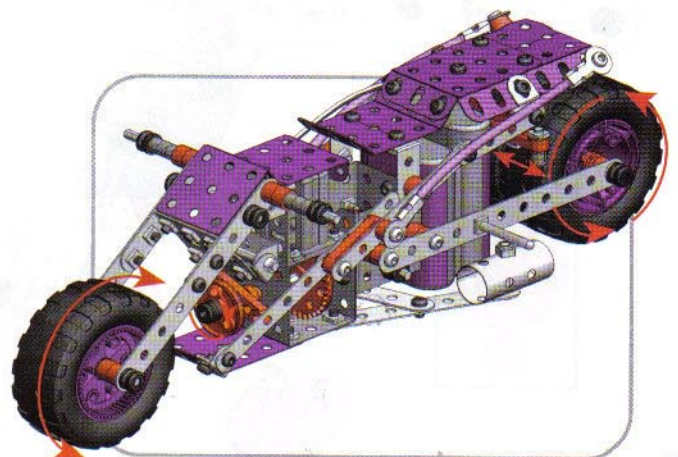
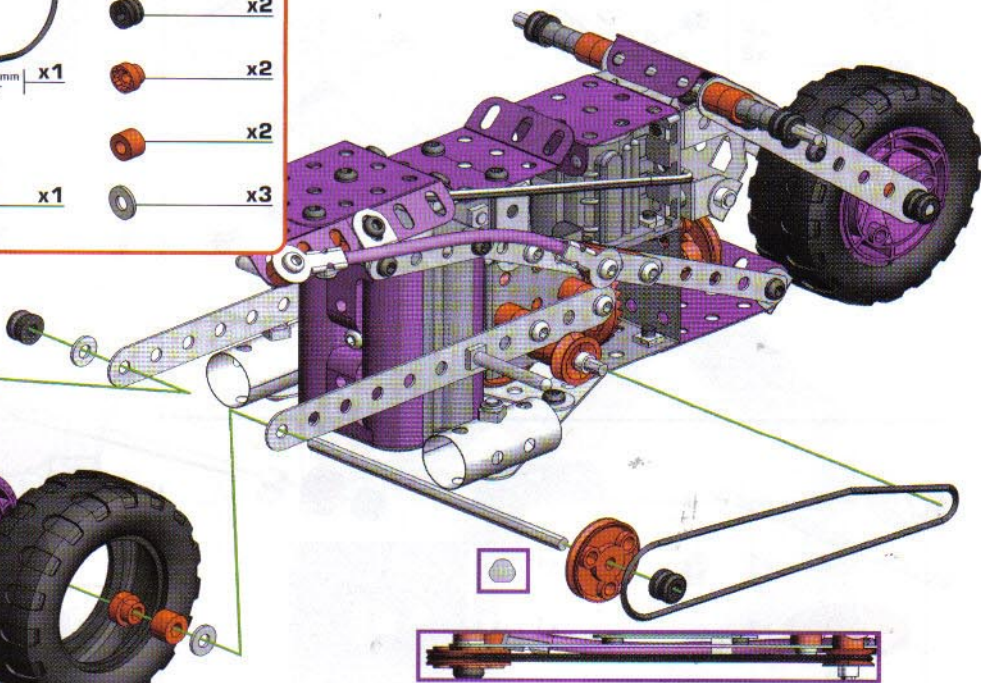
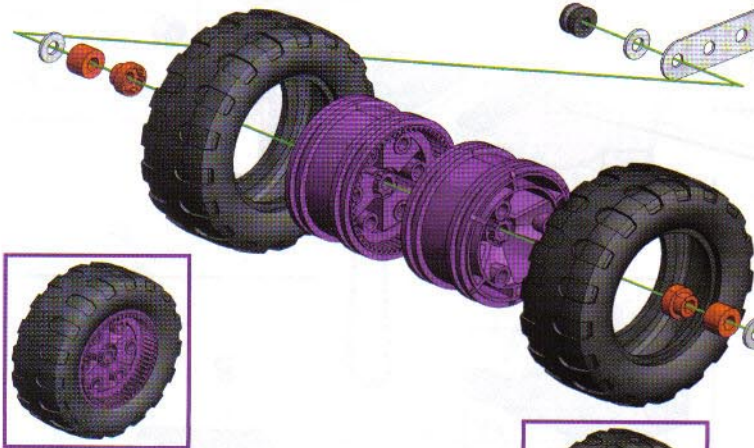
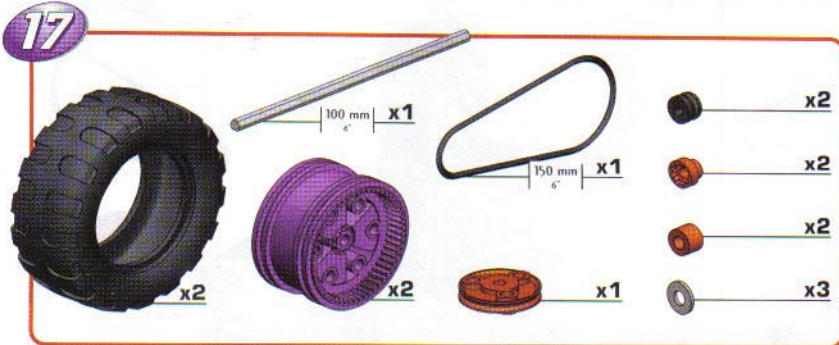
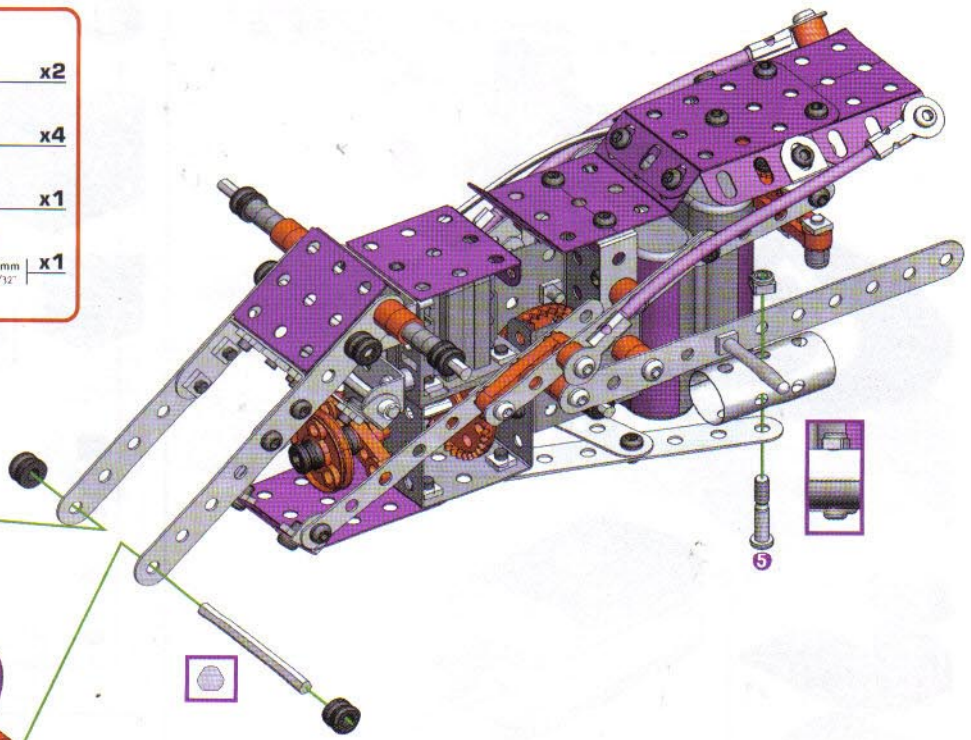
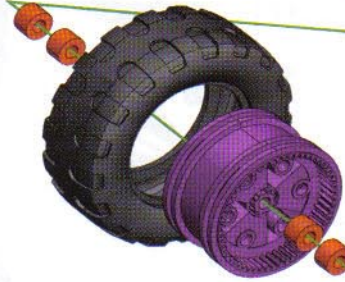
- 9**
- x1
 - x3
 - x2
 - x7
 - 5,8 mm 5/64" x7

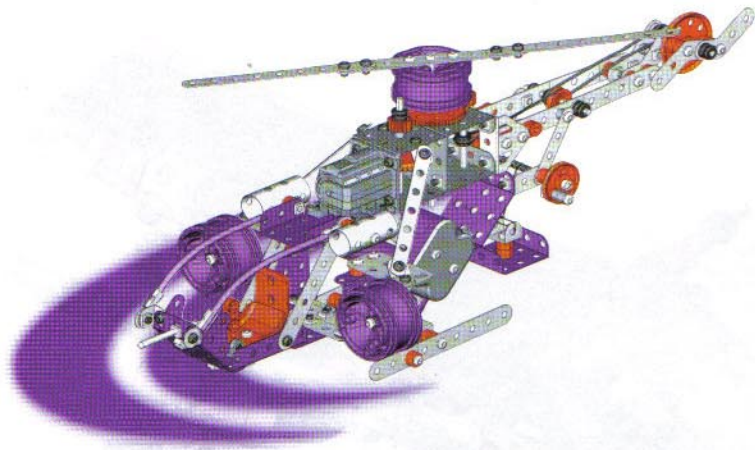


- 10**
- x2
 - x2
 - x6
 - 12mm 1/2" x2
 - 5,8 mm 5/64" x4

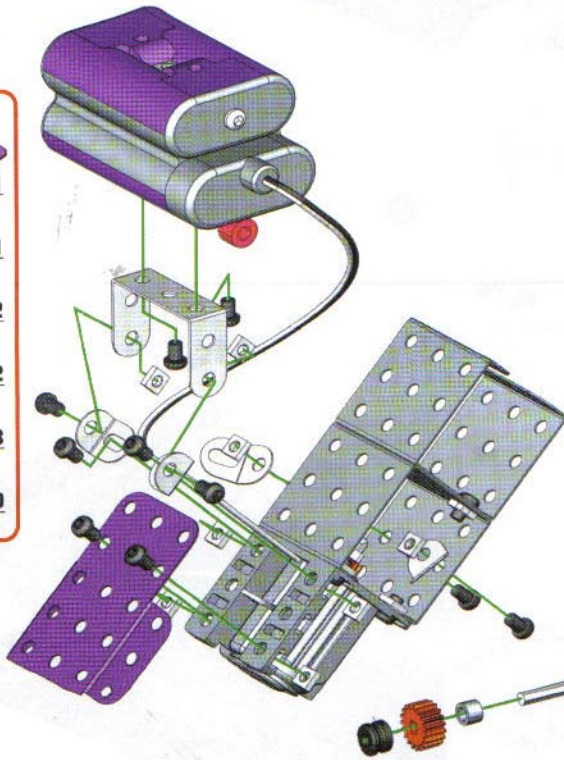




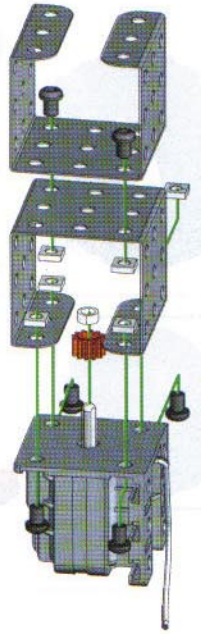




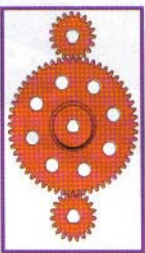
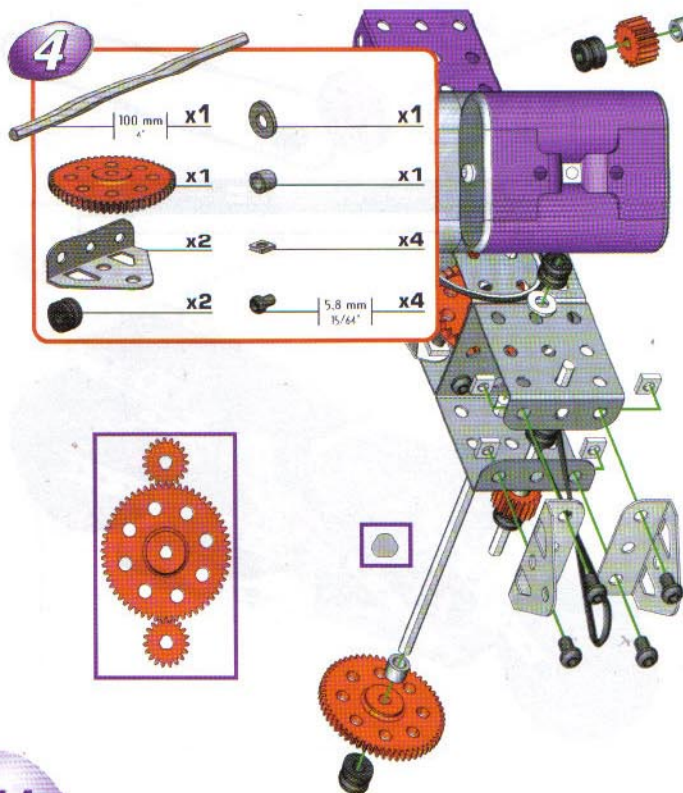
- 2**
- x1
 - x1
 - x2
 - x2
 - x8
 - 5,8 mm 15/64" x10



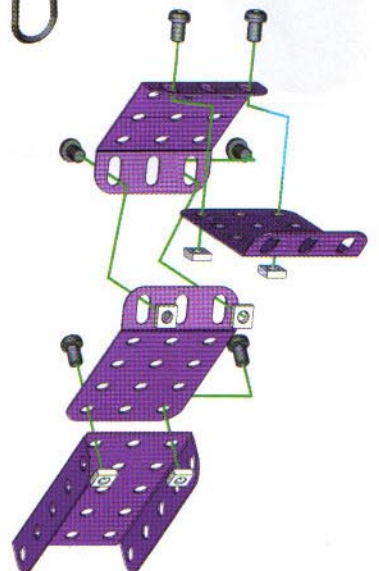
- 7**
- x2
 - x1
 - x1
 - x1
 - x6
 - 5,8 mm 15/64" x6



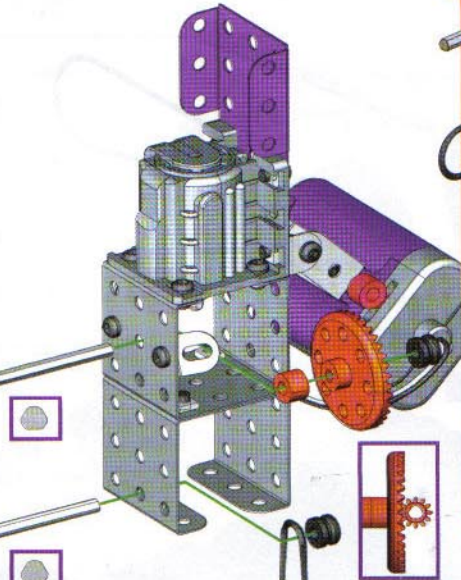
- 4**
- 100 mm x1
 - x1
 - x2
 - x2
 - x1
 - x1
 - x4
 - 5,8 mm 15/64" x4


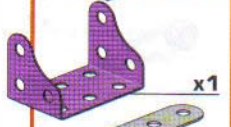
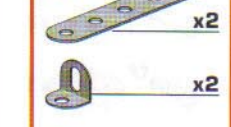
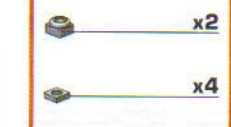
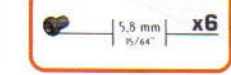




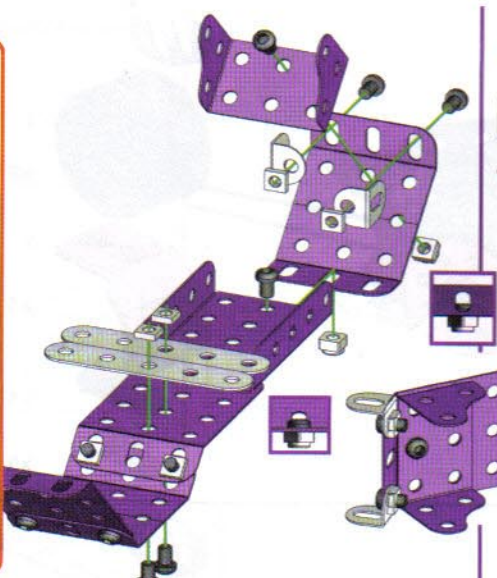
- 5**
- x1
 - x2
 - x1
 - x6
 - 5,8 mm 15/64" x6

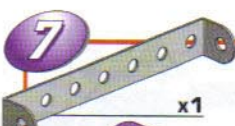




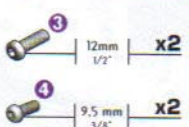
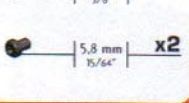



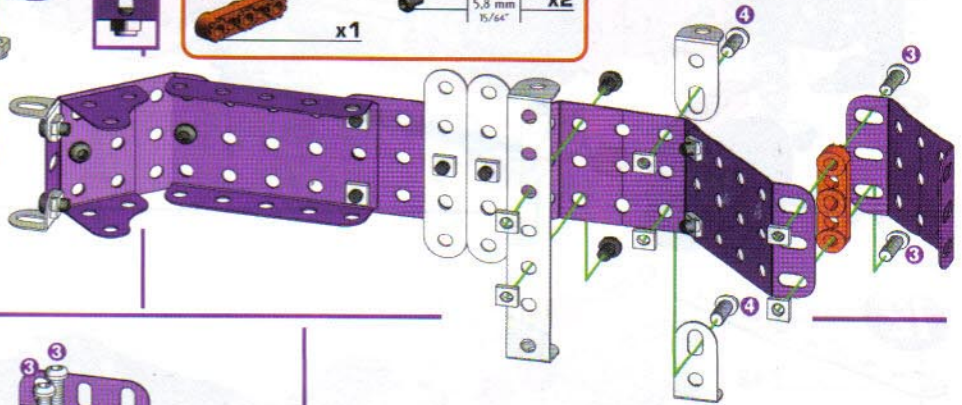
- 3**
- 75 mm 3" x2
 - 150 mm 6" x1
 - x1
 - x2
 - x4
 - x1
 - x2



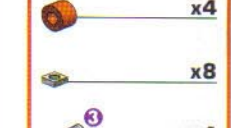





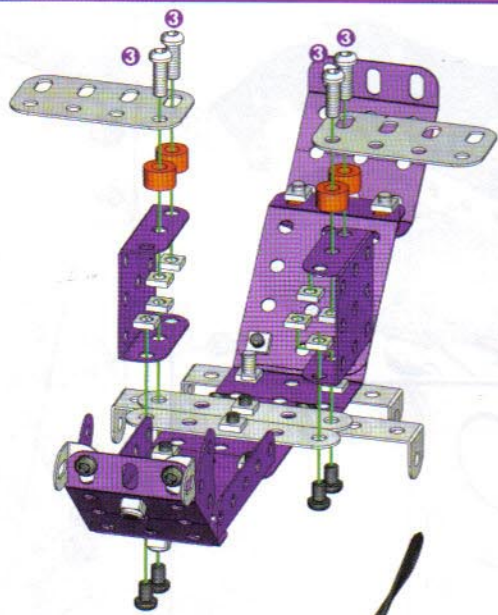
- 6**
-  x1
 -  x1
 -  x2
 -  x2
 -  x2
 -  x4
 -  x6








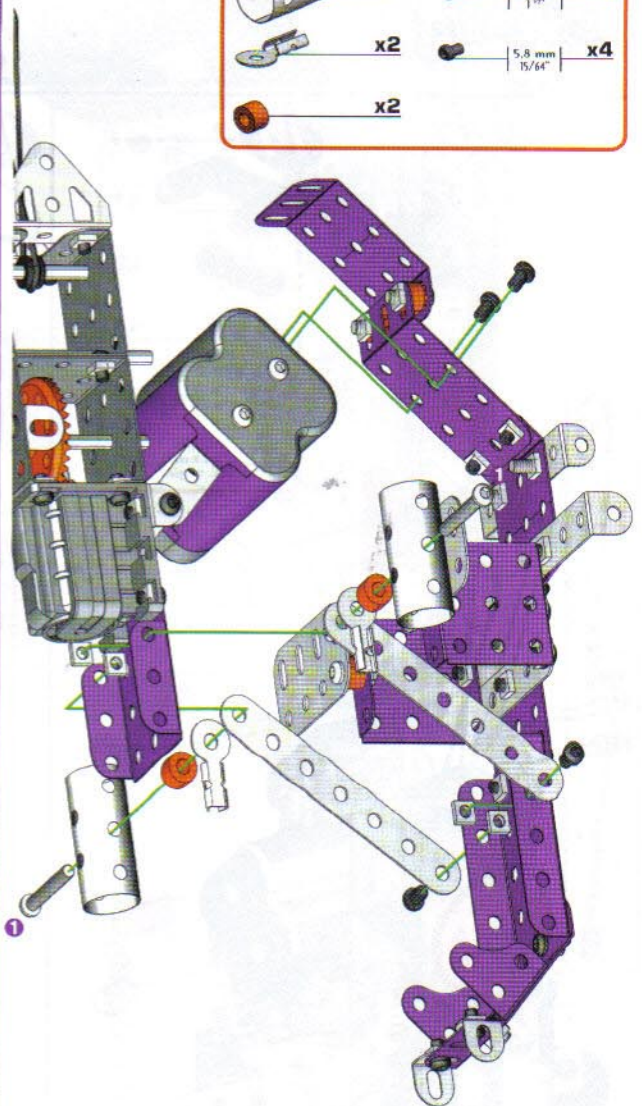
- 7**
-  x1
 -  x1
 -  x2
 -  x1
 -  x6
 -  x2
 -  x2
 -  x2


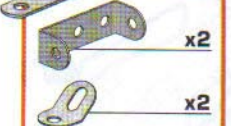
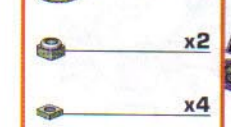
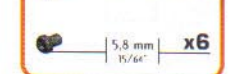



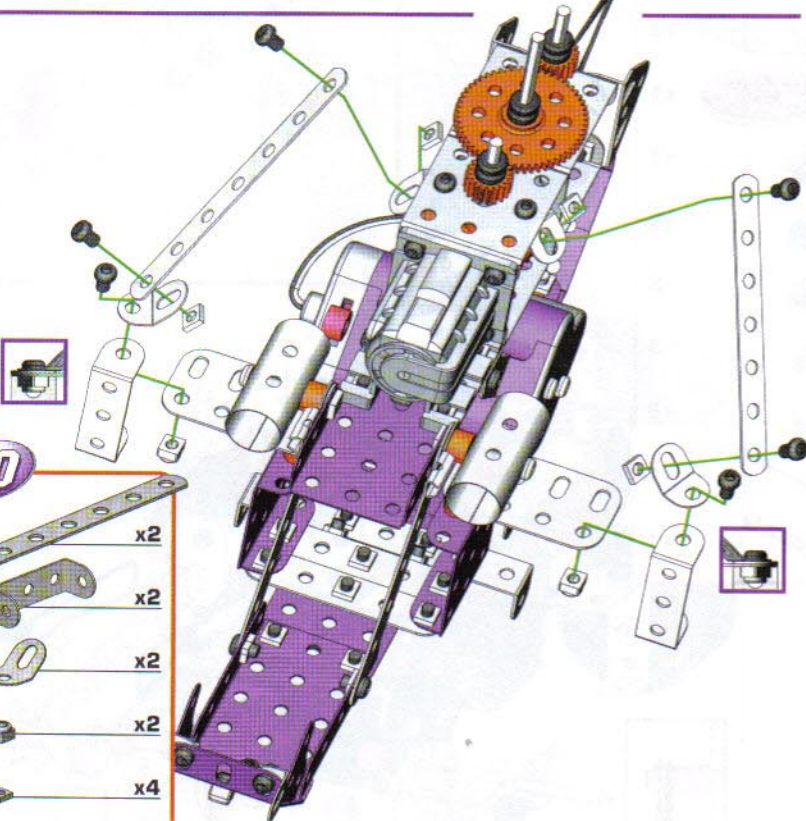
- 8**
-  x2
 -  x2
 -  x4
 -  x8
 -  x4
 -  x4

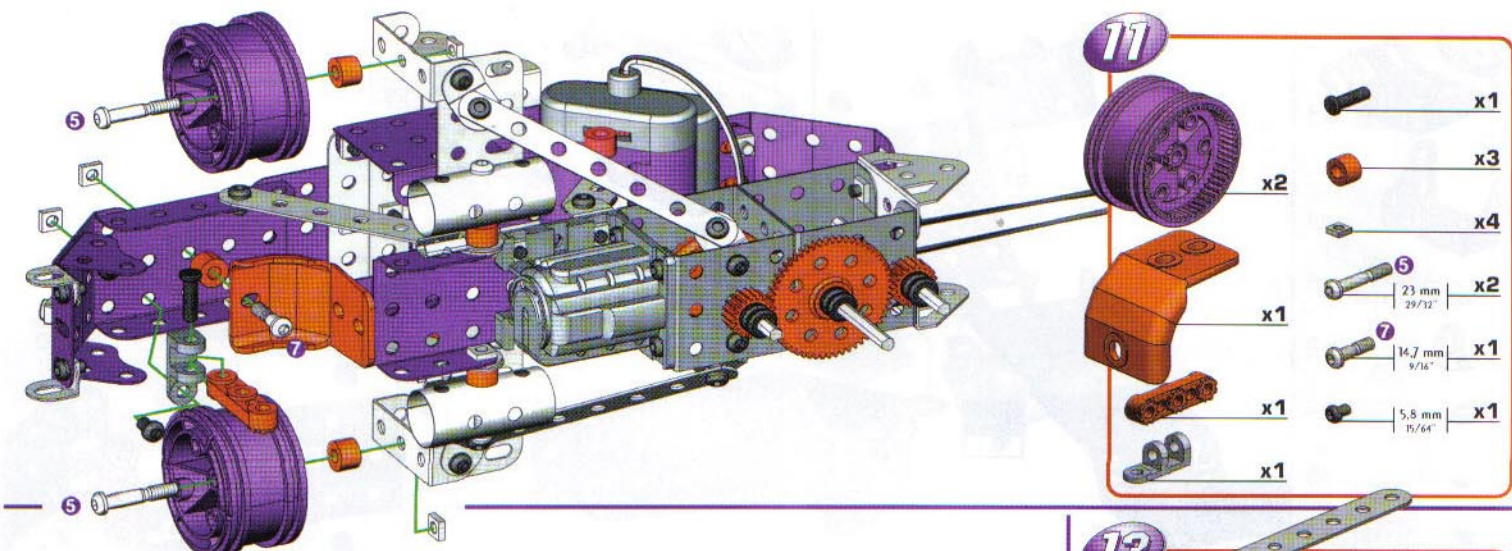


- 9**
-  x2
 -  x4
 -  x2
 -  x4
 -  x2

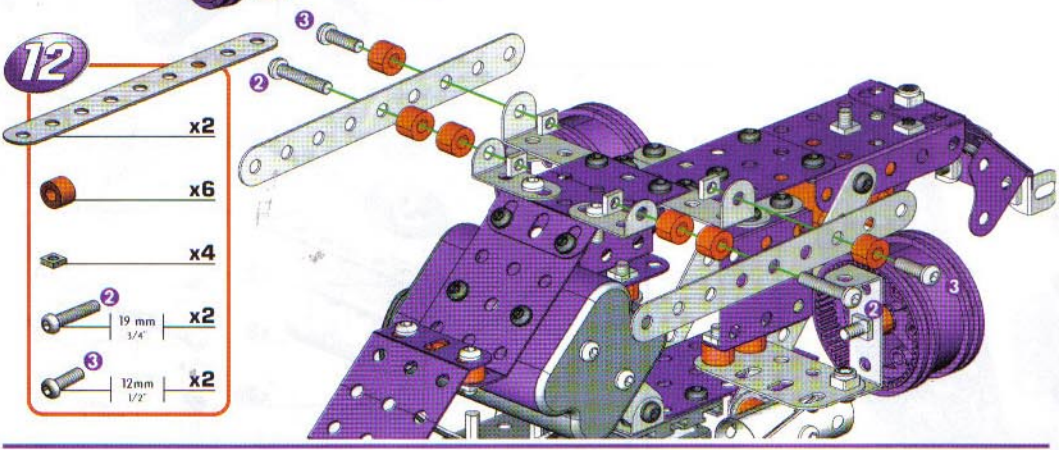


- 10**
-  x2
 -  x2
 -  x2
 -  x2
 -  x4
 - x6

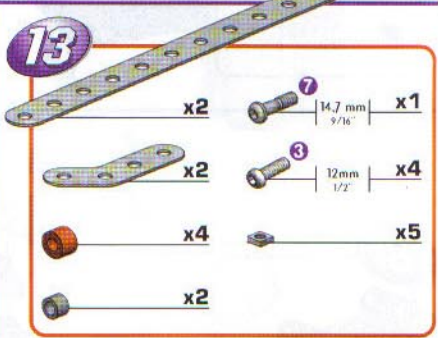




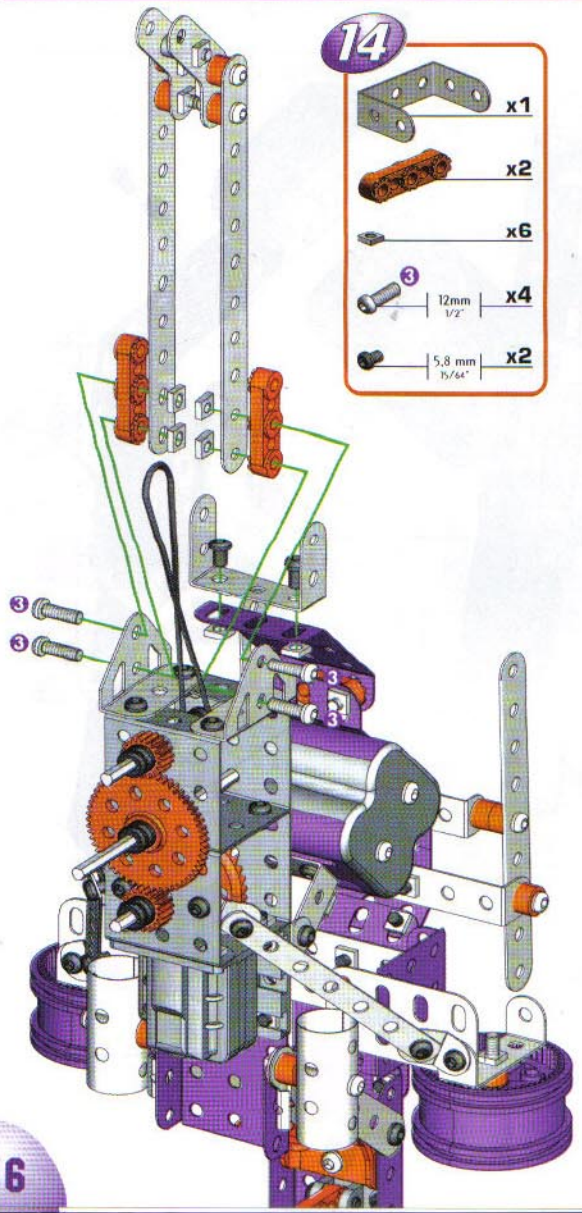
- 11**
- x1
 - x3
 - x4
 - x2
 - x1
 - x1
 - x2
 - x1
 - x1
 - x1
 - x1
 - x1
 - x1



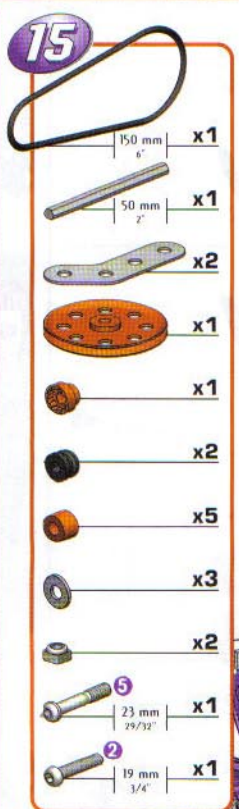
- 12**
- x2
 - x6
 - x4
 - x2
 - x2



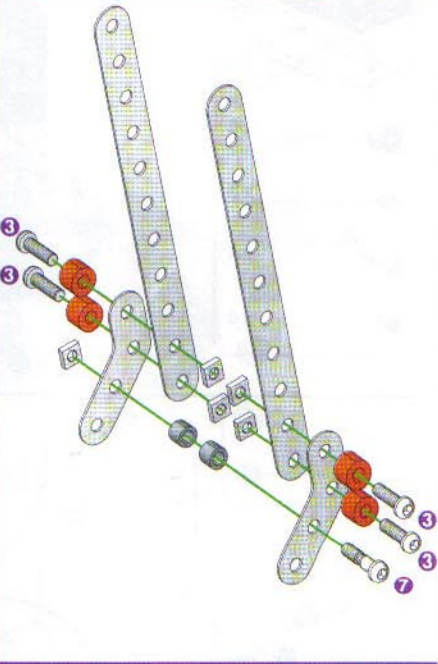
- 13**
- x2
 - x1
 - x4
 - x4
 - x5
 - x2



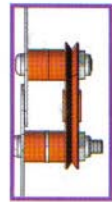
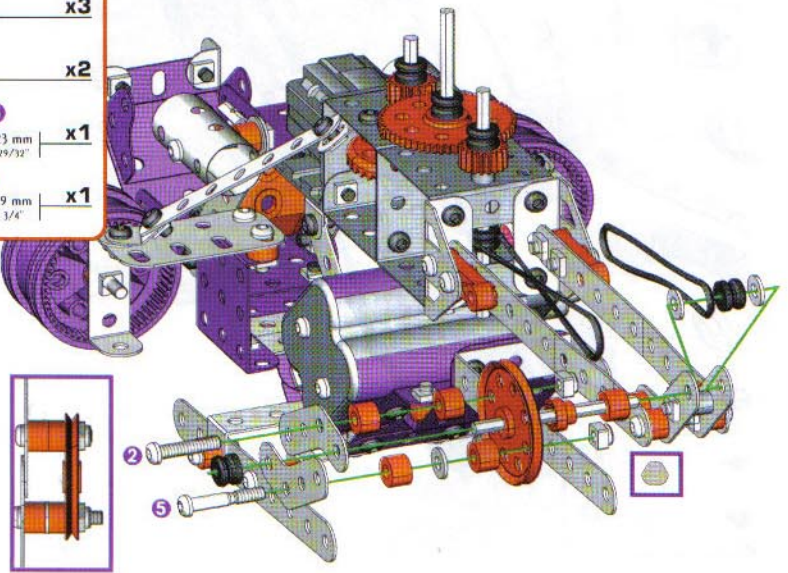
- 14**
- x1
 - x2
 - x6
 - x4
 - x2




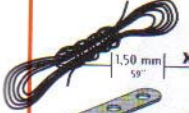







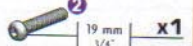
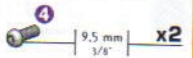
- 15**
- x1
 - x1
 - x2
 - x1
 - x1
 - x2
 - x5
 - x3
 - x2
 - x1
 - x1

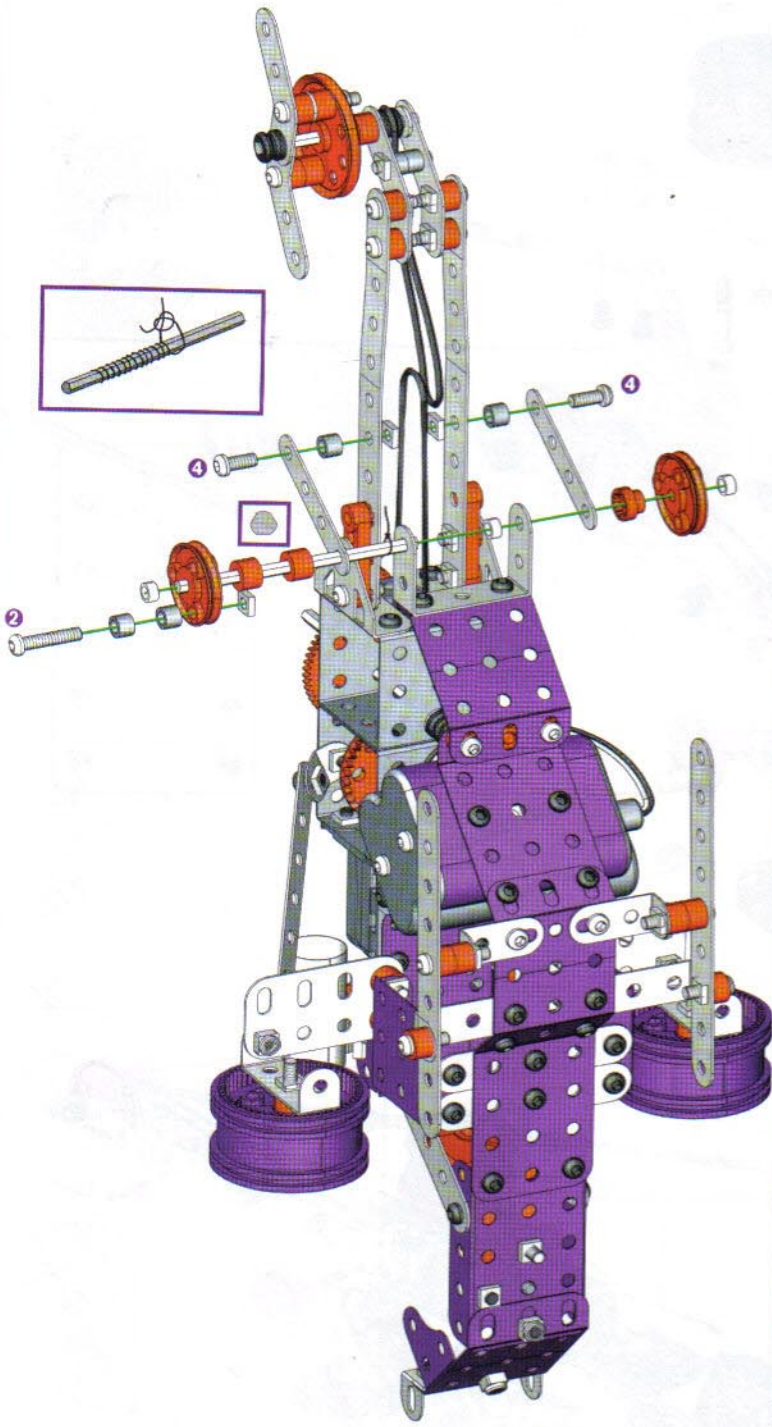


- 16**
- x1
 - x4
 - x4
 - x5
 - x2









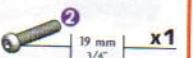


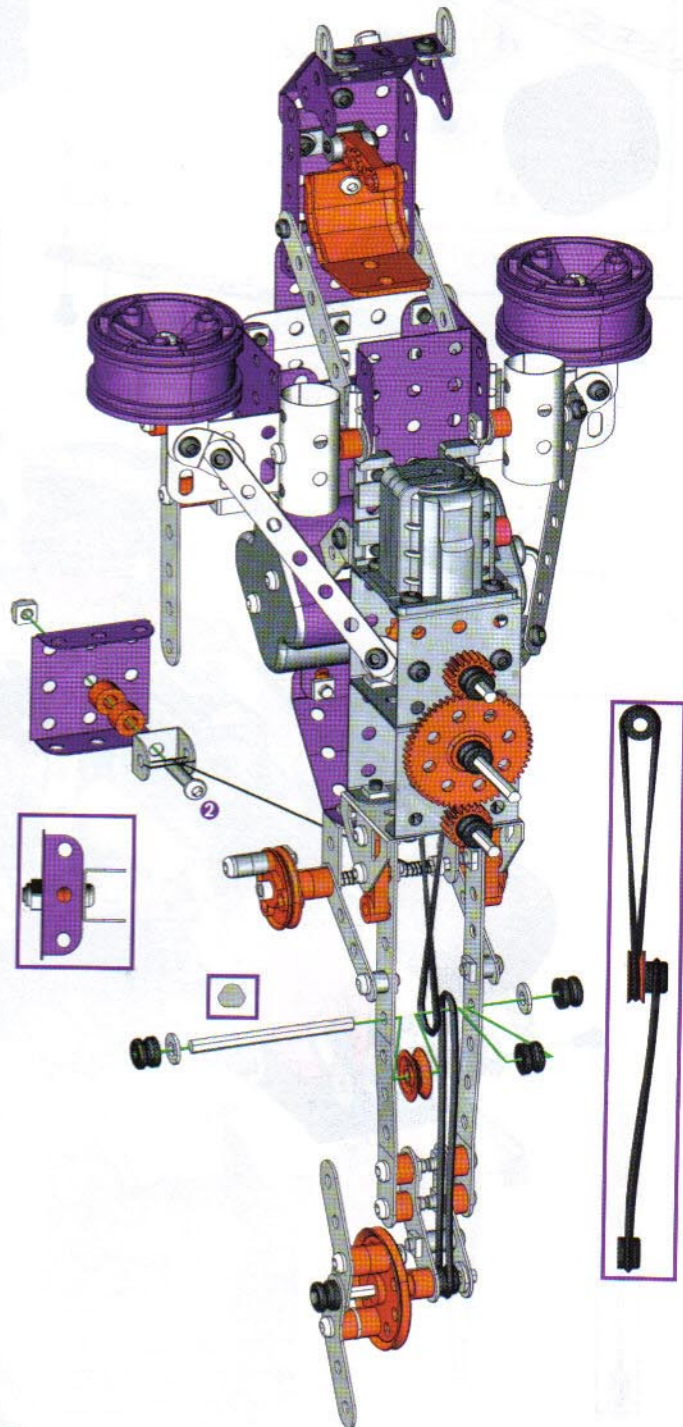
16

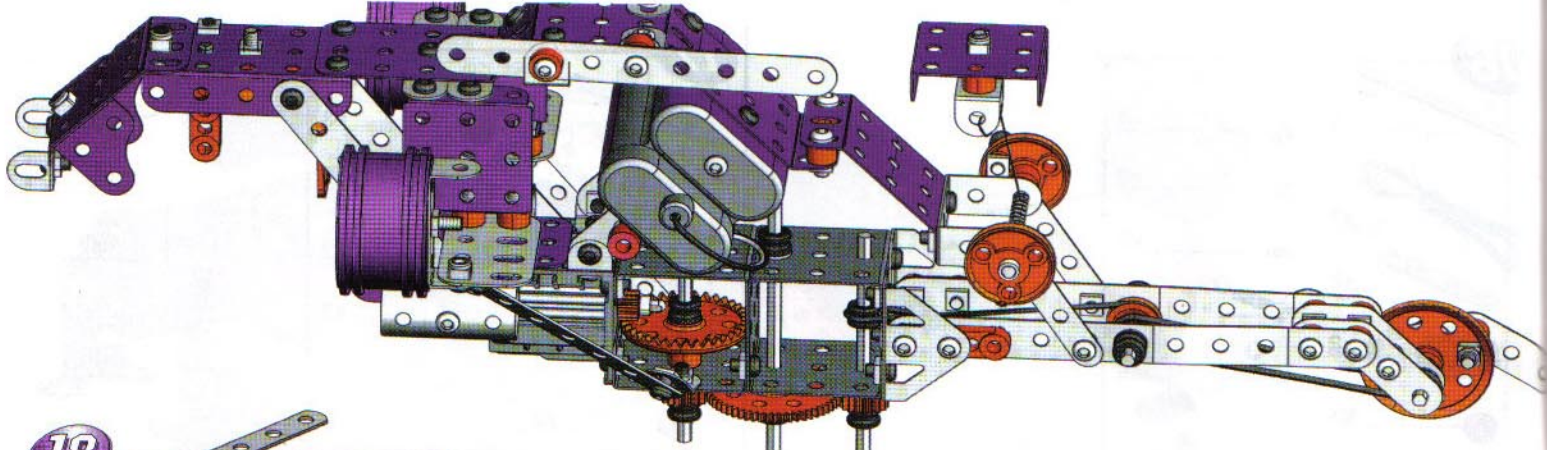
-  75 mm $\frac{3}{4}$ " x1
-  1,50 mm $\frac{59}{32}$ " x1
-  x2
-  x2
-  x1
-  x2
-  x4
-  x3
-  x3
-  19 mm $\frac{3}{4}$ " x1
-  9,5 mm $\frac{3}{8}$ " x2



17

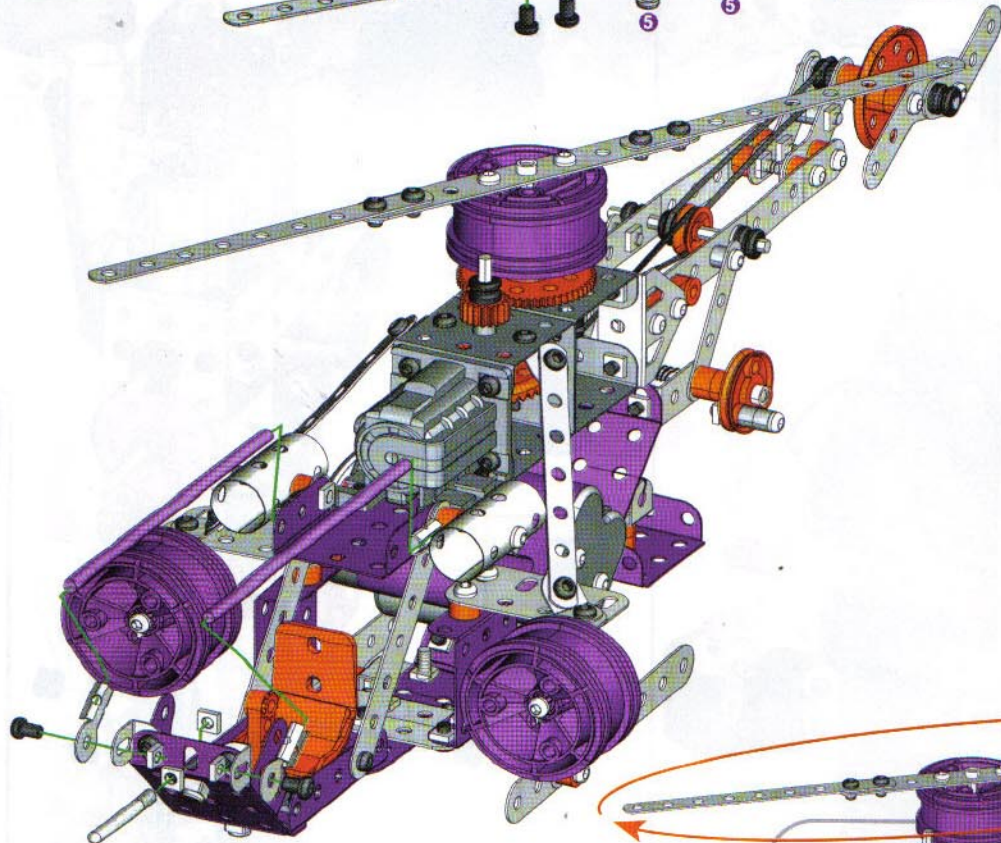
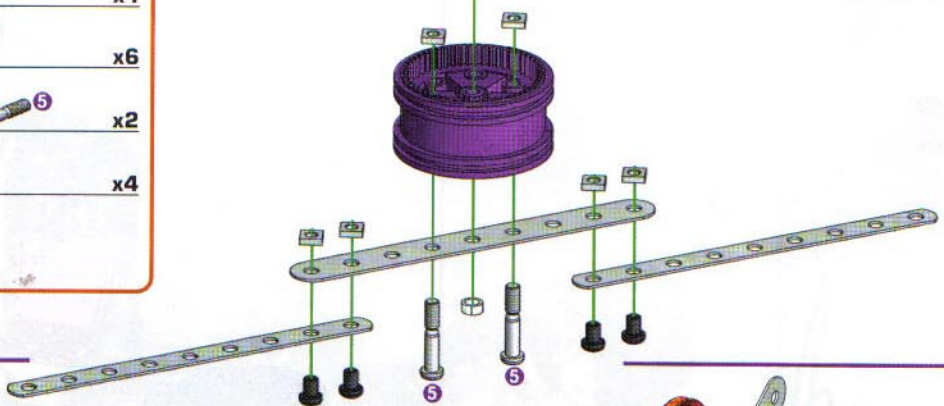
-  50 mm 2" x1
-  x1
-  x1
-  x1
-  x2
-  x3
-  x2
-  x1
-  19 mm $\frac{3}{4}$ " x1





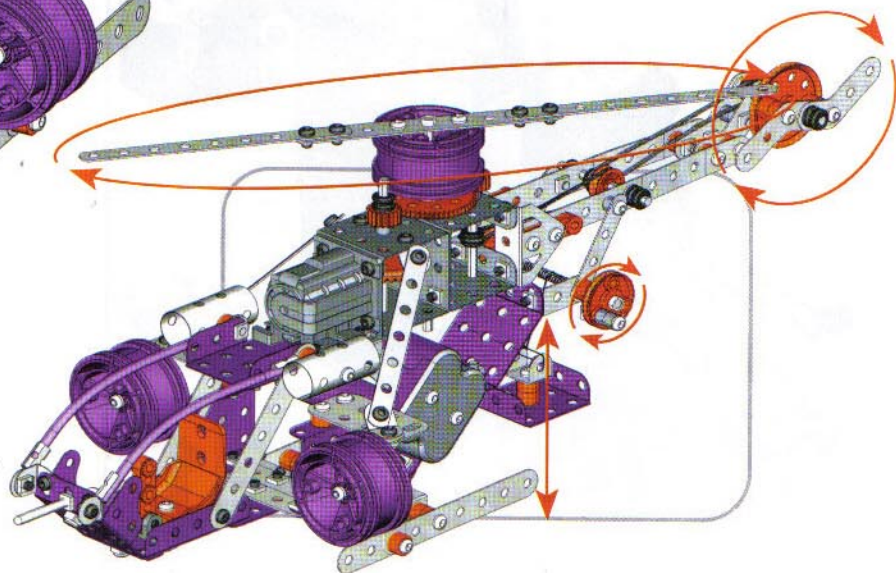
18

	x2		x1
	x1		x6
	x1		x2
	x4		

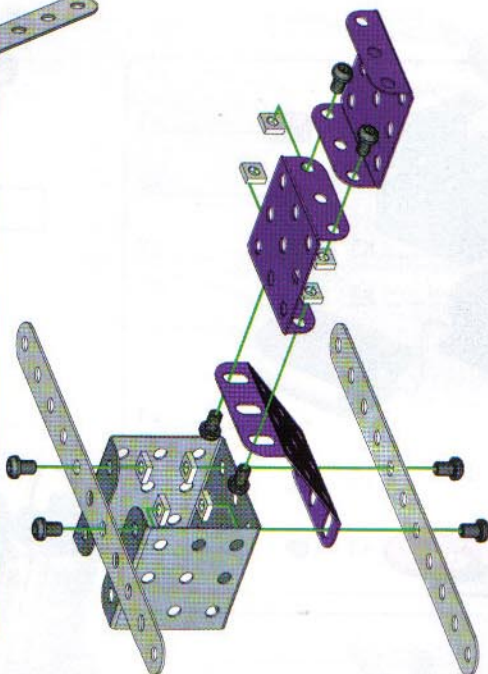


19

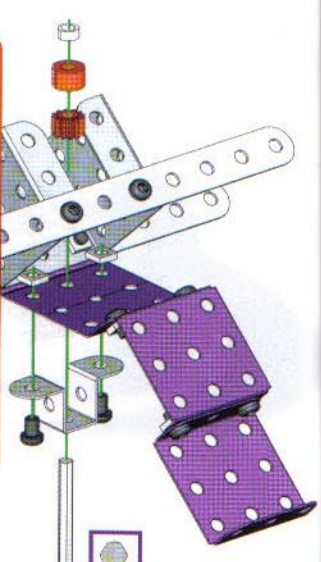
	120 mm 4 3/4"	x2
	34 mm 1 3/4"	x1
		x2
		x4
	5,8 mm 15/64"	x2



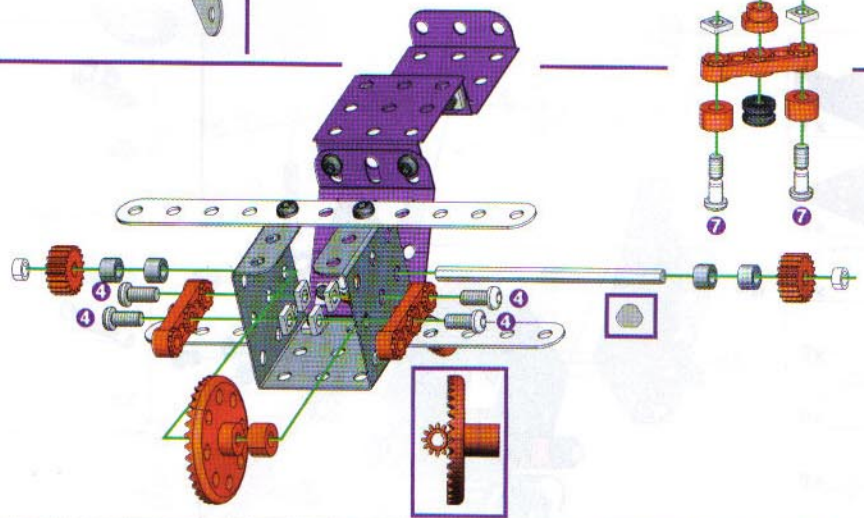
- 6**
- x2
 - x1
 - x1
 - x2
 - x8
 - x8



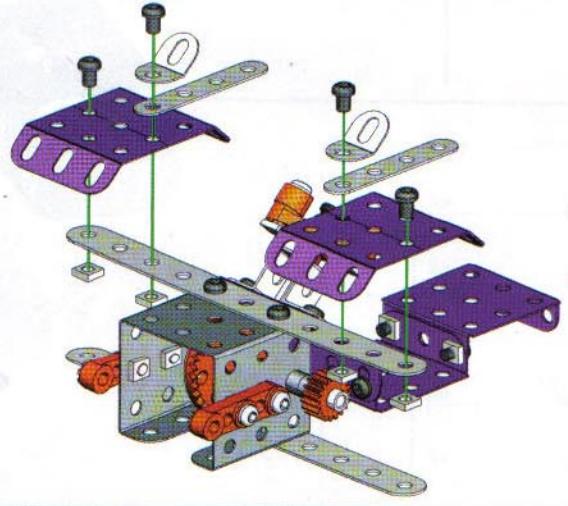
- 7**
- x1
 - x1
 - x1
 - x1
 - x1
 - x3
 - x2
 - x2
 - x1
 - x4
 - x1



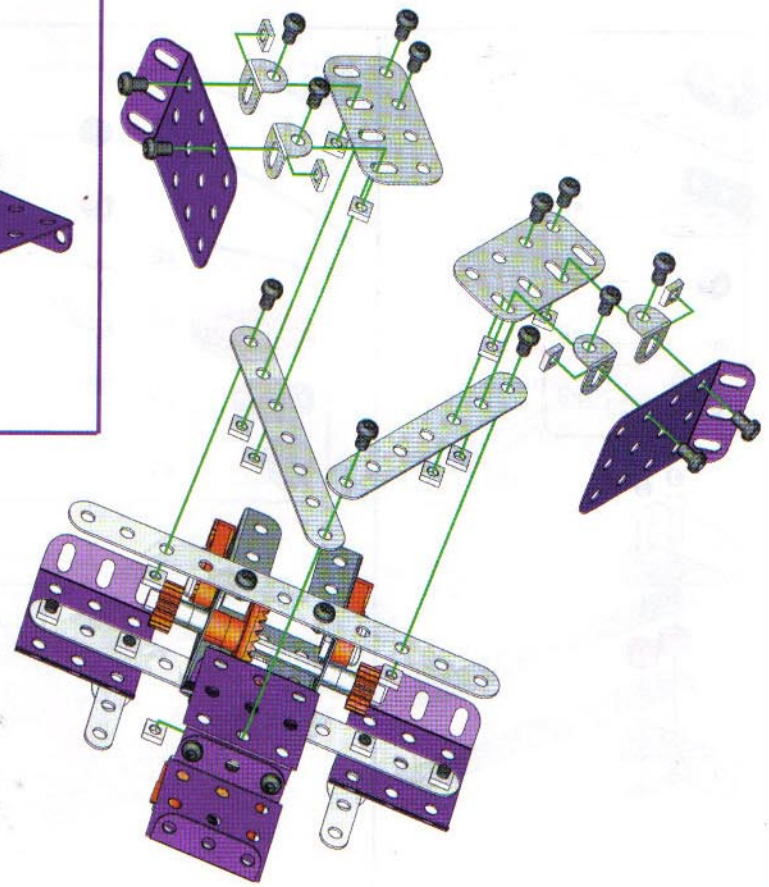
- 8**
- x1
 - x4
 - x1
 - x2
 - x2
 - x4
 - x2
 - x4
 - x1



- 9**
- x2
 - x2
 - x2
 - x4
 - x4

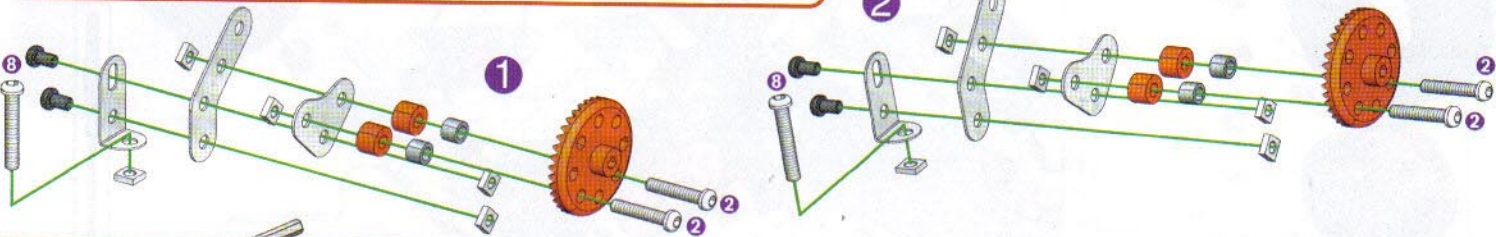
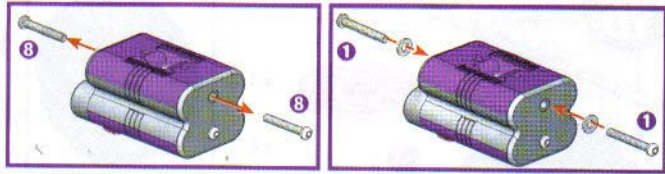


- 10**
- x2
 - x2
 - x2
 - x4
 - x15
 - x15



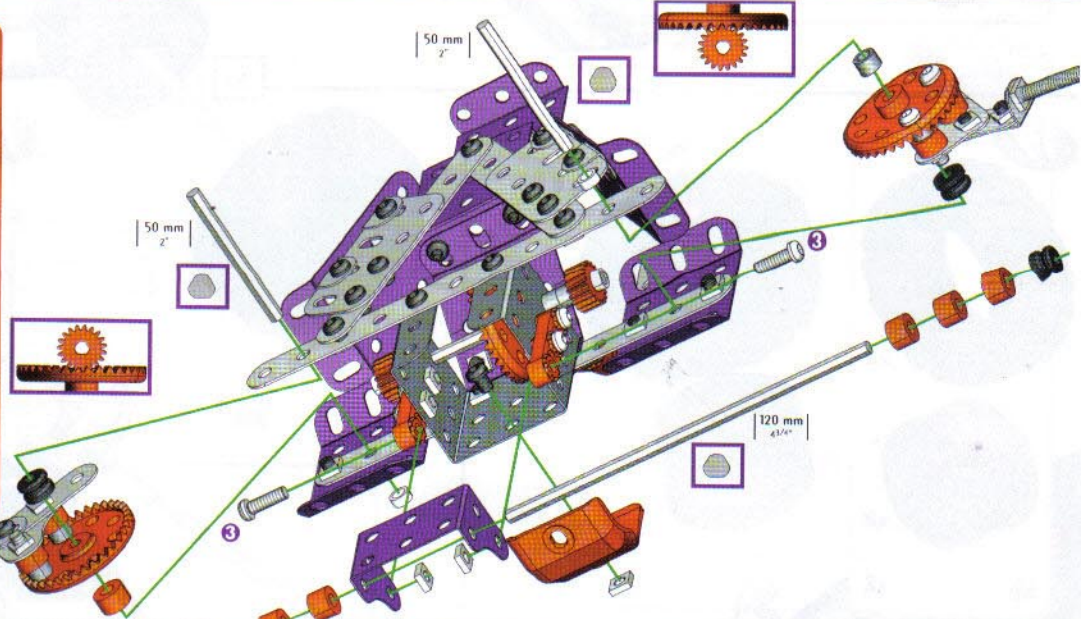
11

- Plate 1x3 x2
- Plate 1x3 x2
- Pin 1/2" x4
- Bush 25.4 mm x2
- Gear 24 x2
- Pin 1/2" x4
- Pin 19 mm 3/4" x4
- Pin 28 mm 1 1/2" x2
- Pin 5.8 mm 15/64" x4
- Pin 1/2" x10
- Pin 19 mm 3/4" x4
- Pin 5.8 mm 15/64" x4



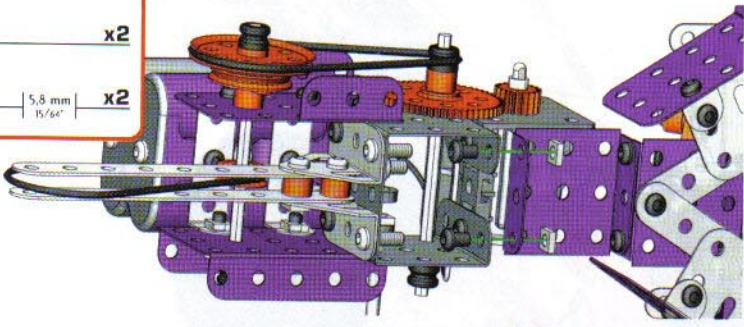
12

- Pin 130 mm 5" x1
- Pin 50 mm 2" x2
- Block 1x1 x1
- Plate 1x3 x1
- Pin 12mm 1/2" x2
- Pin 5.8 mm 15/64" x1
- Pin 1/2" x7
- Pin 1/2" x1
- Pin 1/2" x2
- Pin 1/2" x3
- Pin 12mm 1/2" x2
- Pin 5.8 mm 15/64" x1
- Pin 1/2" x4



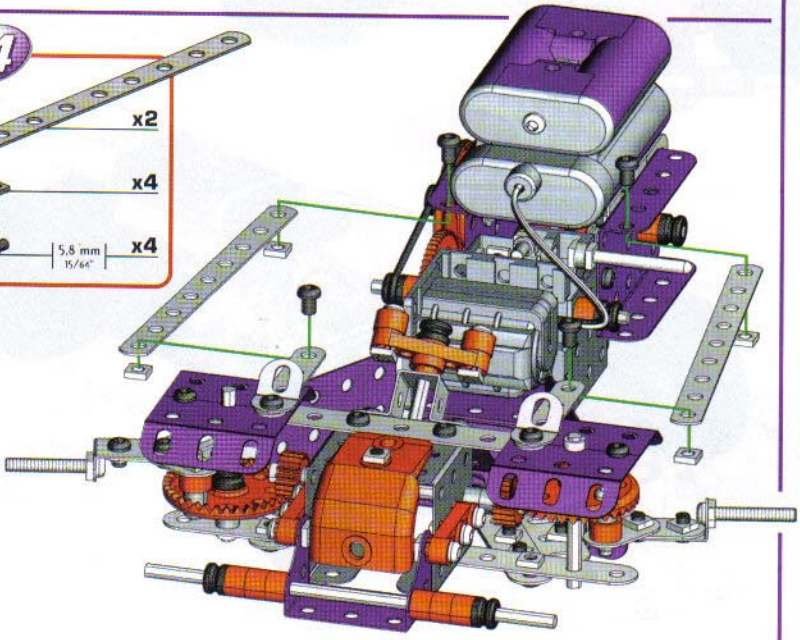
13

- Pin 1/2" x2
- Pin 5.8 mm 15/64" x2



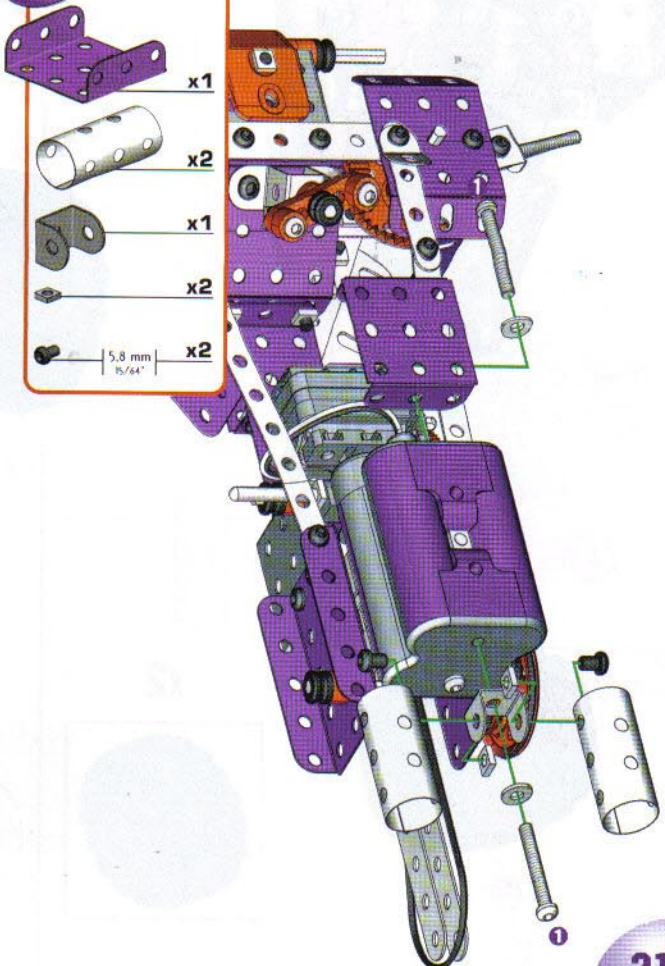
14

- Plate 1x10 x2
- Pin 1/2" x4
- Pin 5.8 mm 15/64" x4



15

- Plate 1x3 x1
- Tube 1x2 x2
- Block 1x1 x1
- Pin 1/2" x2
- Pin 5.8 mm 15/64" x2

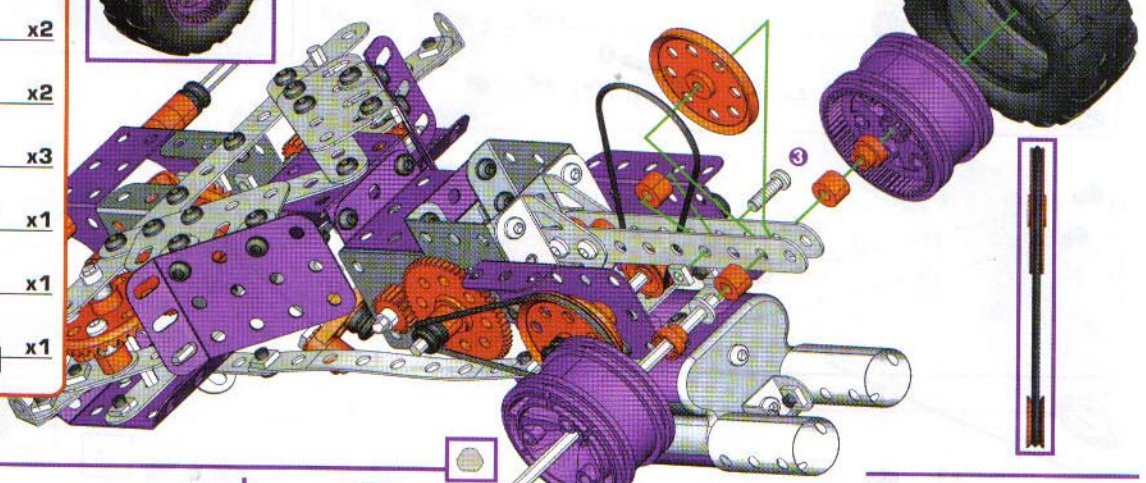


16

- 100 mm x1
- x1
- x2
- x2
- x2
- x3
- x1
- x1
- x1
- 12mm 1/2" x1

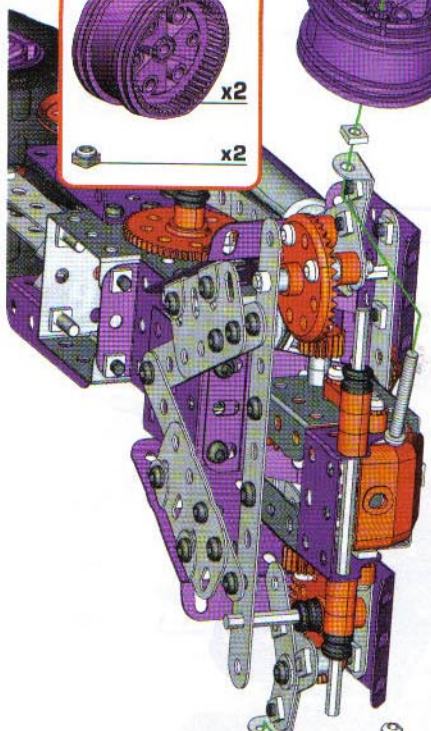


x2



17

- x2
- x2
- x2

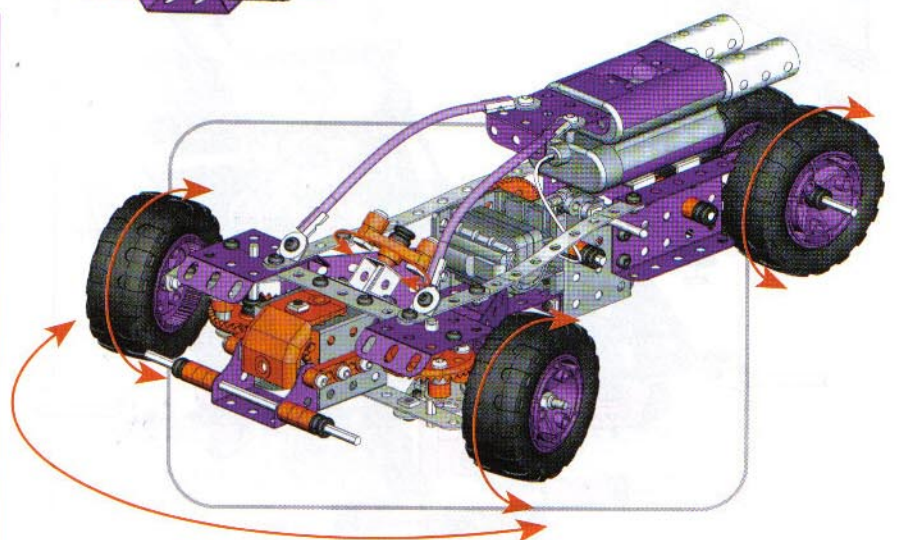


18

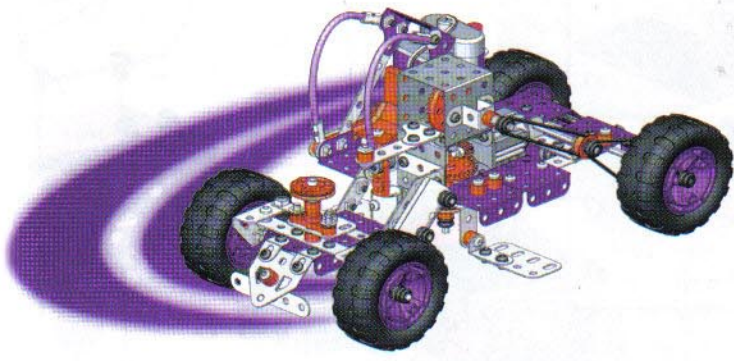
- 120 mm 4 3/4" x2
- 9.5 mm 3/8" x2
- x4
- 5.8 mm 15/64" x2
- x4



x2

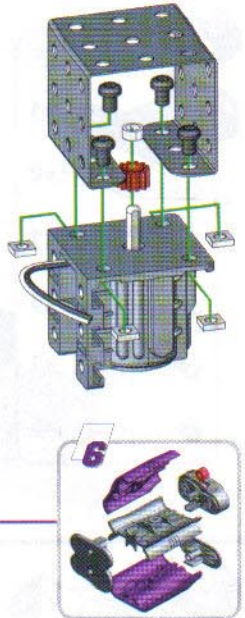


22



7

- Motor housing: x1
- Motor: x1
- Small gear: x1
- Pin: x4
- Pin (5.8 mm / 15/64"): x4



2

- Large metal plate: x1
- Pin: x1
- Pin: x1
- Pin: x7
- Plate: x1
- Pin (12mm / 1/2"): x1
- Pin (5.8 mm / 15/64"): x6

4

- Plate: x2
- Plate: x1
- Plate: x2
- Pin: x6
- Pin (12mm / 1/2"): x3
- Pin (5.8 mm / 15/64"): x3
- Pin: x2

3

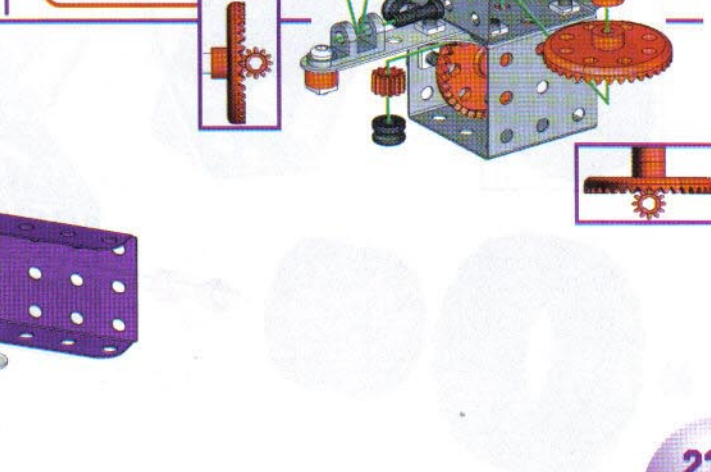
- Pin (50 mm / 2"): x1
- Gear: x1
- Plate: x1
- Pin: x1
- Pin: x1
- Pin: x3
- Pin: x1
- Pin: x1
- Pin: x2
- Pin (5.8 mm / 15/64"): x2

5

- Pin (100 mm / 4"): x1
- Gear: x1
- Pin: x2
- Gear: x1
- Pin: x1
- Pin: x2
- Pin: x2
- Pin: x1

6

- Large metal plate: x1
- Pin: x8
- Pin (28 mm / 1"): x2
- Plate: x2
- Pin (5.8 mm / 15/64"): x6
- Plate: x1



7

- x1
- x2
- x1
- x6
- x1
- 9,5 mm
3/8"
- x5
- 5,8 mm
5/64"

8

- x1
- x4
- x7
- x7
- 5,8 mm
5/64"

9

- x1
- x2
- x2
- x6
- x6
- 5,8 mm
5/64"

10

- x1
- x2
- x1
- x2
- x5
- 12mm
1/2"
- x2
- 9,5 mm
3/8"
- x2
- 5,8 mm
5/64"
- x1

11

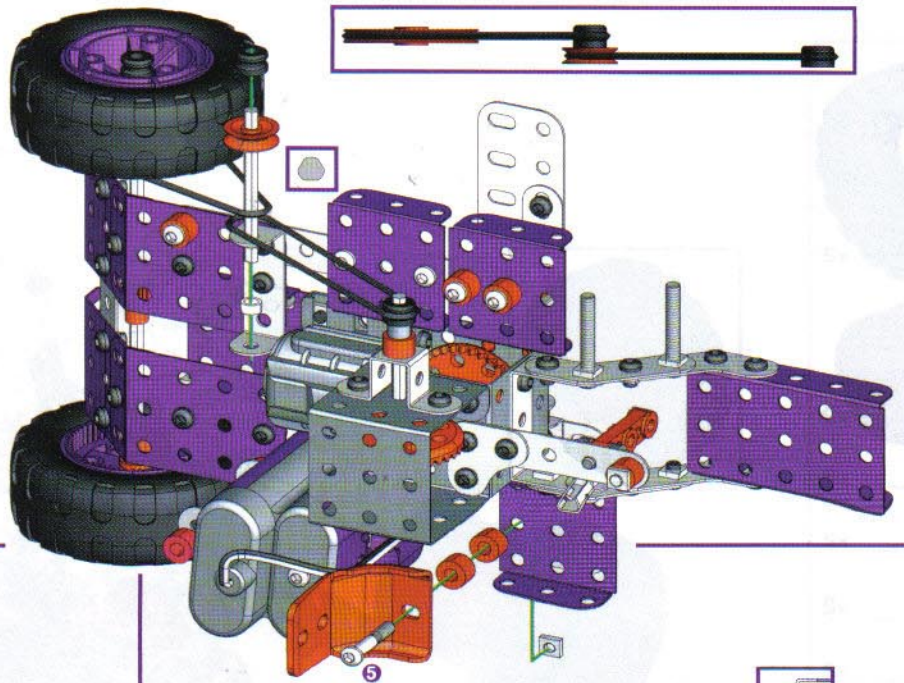
- x1
- x2
- x6
- x2
- x2
- x6
- 12mm
1/2"
- 5,8 mm
5/64"

12

- x2
- x1
- x1
- x2
- x2
- x2
- x2
- x2
- 75 mm
3"
- x2
- 150 mm
6"
- x1

13

- 150 mm x1
- 6" x1
- 50 mm x1
- 2" x1
- 23 mm x1
- 29/32" x1



14

- x1
- x2
- x2
- x2
- x1
- x4
- 23 mm x1
- 29/32" x1
- 5.8 mm x4
- 5/64" x4

15

- x1
- x1
- x2
- x1
- x2
- x1
- 34 mm x2
- 1 5/16" x2
- x3
- x6
- 12mm x2
- 1/2" x2
- 9.5 mm x1
- 3/8" x1
- 5.8 mm x2
- 5/64" x2

16

- 50 mm x1
- 2" x1
- x1
- x1
- x1
- x1
- x1
- x1
- x1
- x1

17

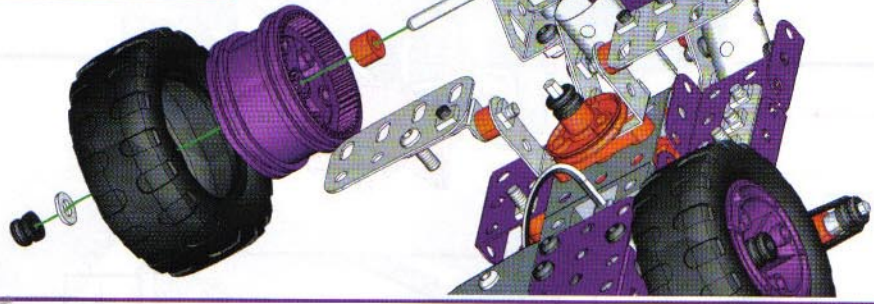
- x2
- x2
- 12mm x2
- 1/2" x2

18

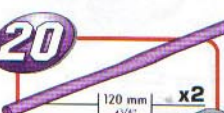








- x1
- x1
- x1
- x1
- x2
- 12mm x1
- 1/2" x1
- 5.8 mm x1
- 5/64" x1

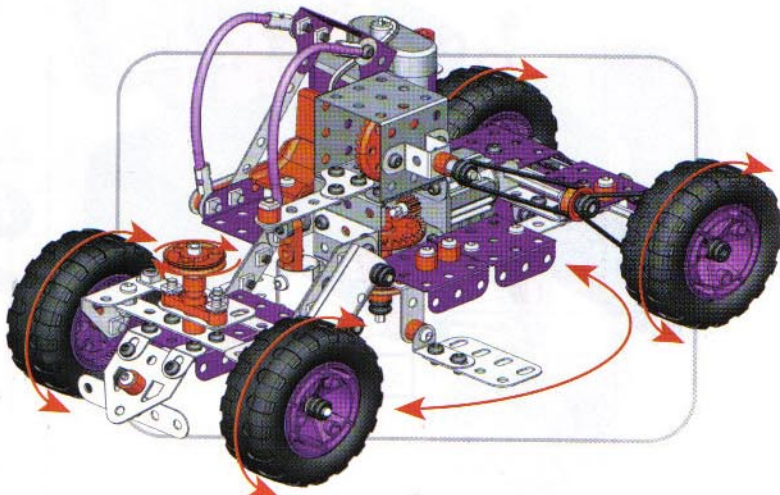
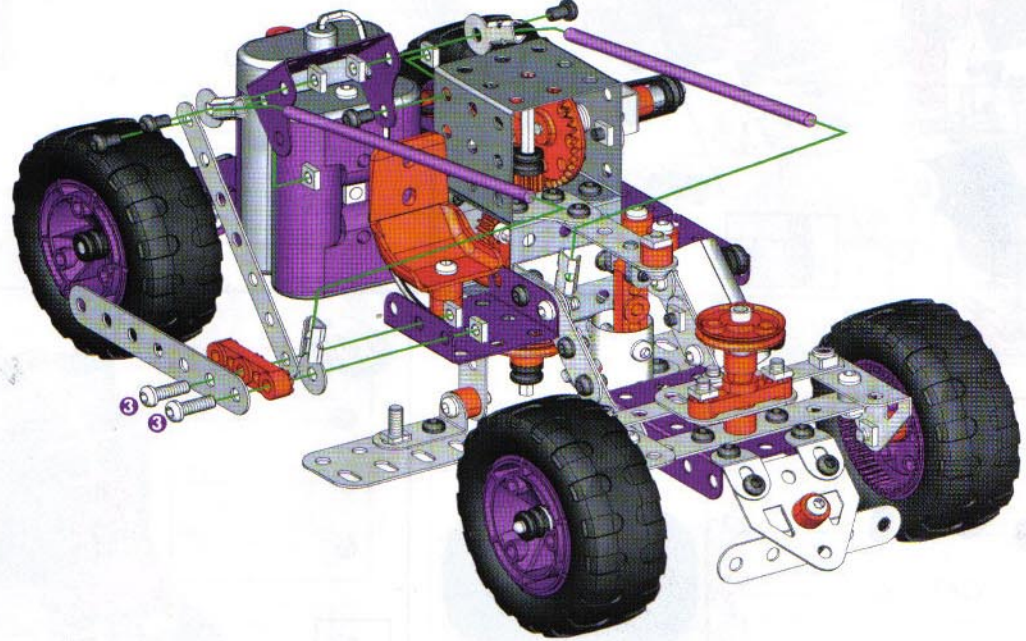
19

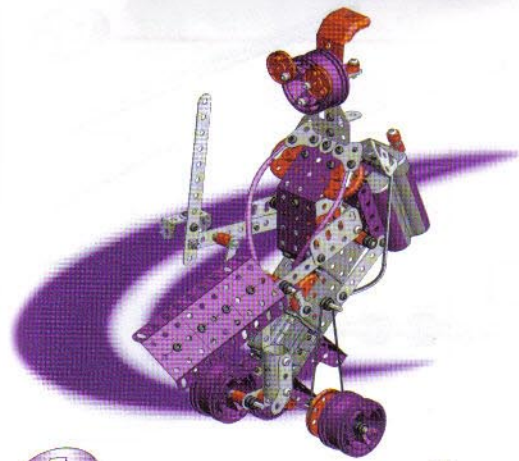
-  x2
-  x2
-  x2
-  x2
-  x2
-  x2
-  x2
-  x2



20

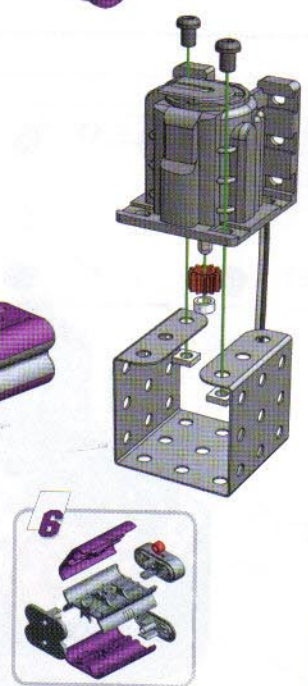
-  120 mm $4\frac{3}{4}$ " x2
-  x1
-  x1
-  x1
-  x1
-  x3
-  x6
-  12mm $1\frac{1}{2}$ " x2
-  5,8 mm $\frac{15}{64}$ " x4





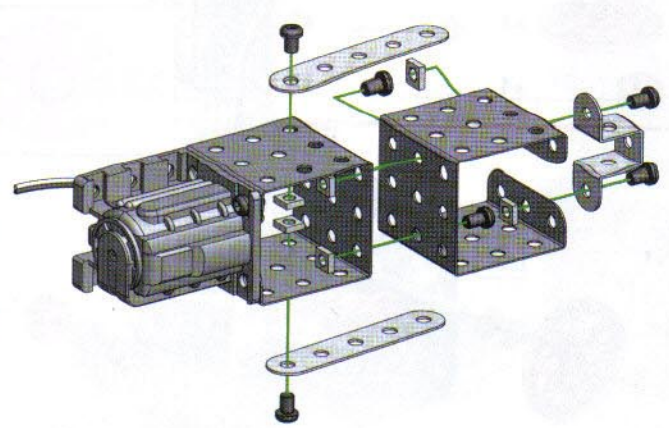
7

- x1 [Grey L-shaped Technic beam]
- x1 [Grey motor]
- x1 [Red axle]
- x1 [Grey axle]
- x2 [Grey Technic pins]
- x2 [5,8 mm / 15/64" Grey Technic pins]



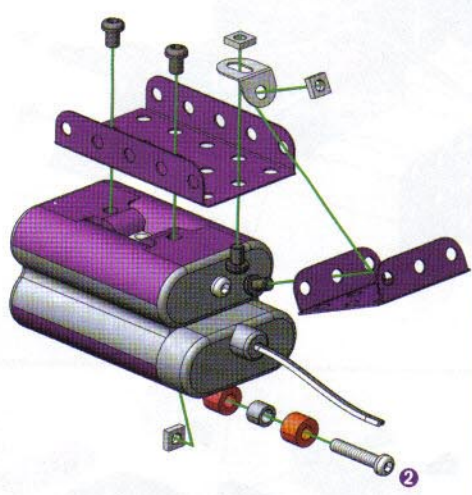
2

- x1 [Grey L-shaped Technic beam]
- x2 [Grey Technic pins]
- x1 [Grey L-shaped Technic beam]
- x6 [Grey Technic pins]
- x6 [5,8 mm / 15/64" Grey Technic pins]



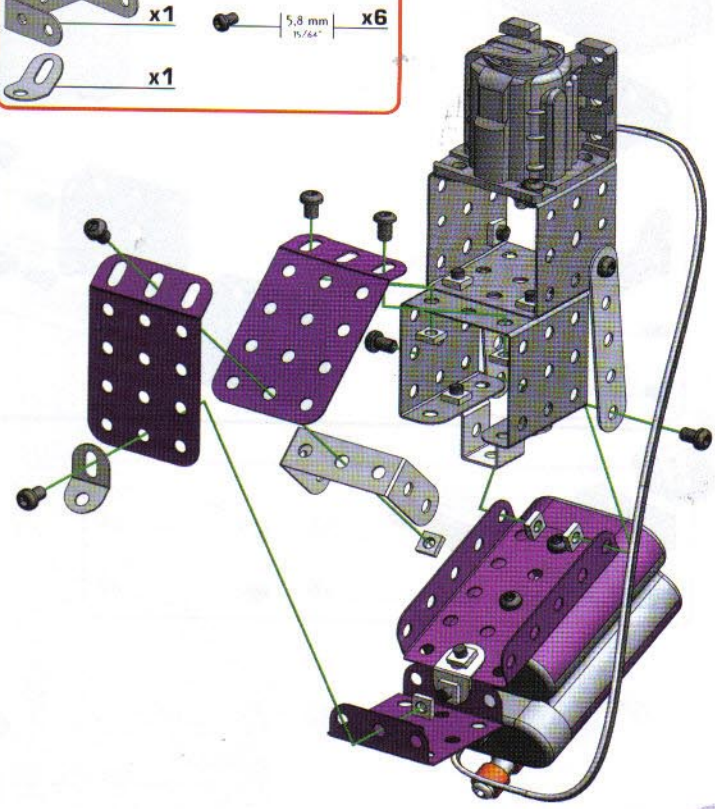
3

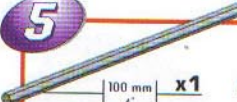







- x1 [Purple Technic beam]
- x1 [Purple Technic beam]
- x1 [Grey Technic pin]
- x1 [Red Technic pin]
- x1 [Grey Technic pin]
- x3 [Grey Technic pins]
- x1 [19mm / 3/4" Grey Technic pin]
- x4 [5,8 mm / 15/64" Grey Technic pins]

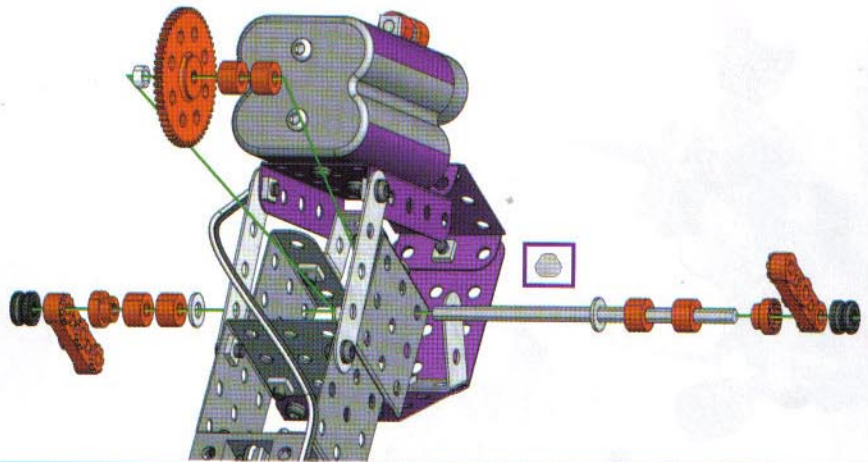








4

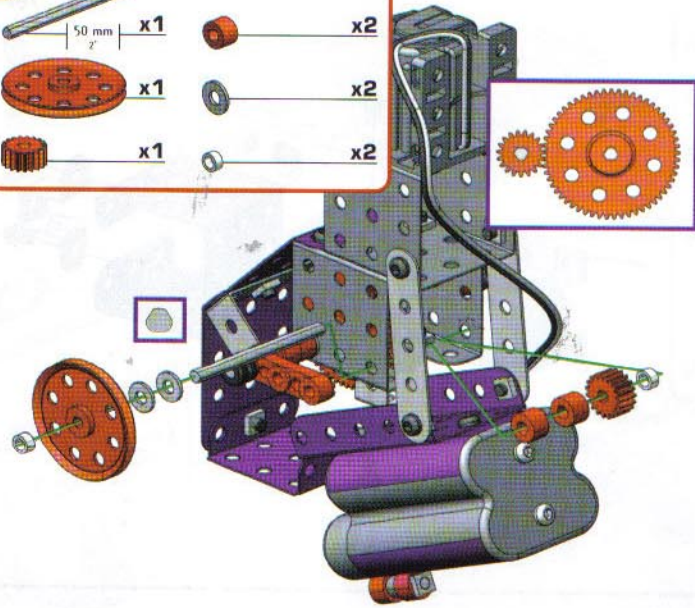
- x2 [Purple Technic beam]
- x1 [Grey Technic pin]
- x1 [Grey Technic pin]
- x6 [Grey Technic pins]
- x6 [5,8 mm / 15/64" Grey Technic pins]




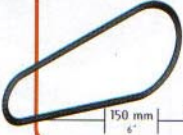




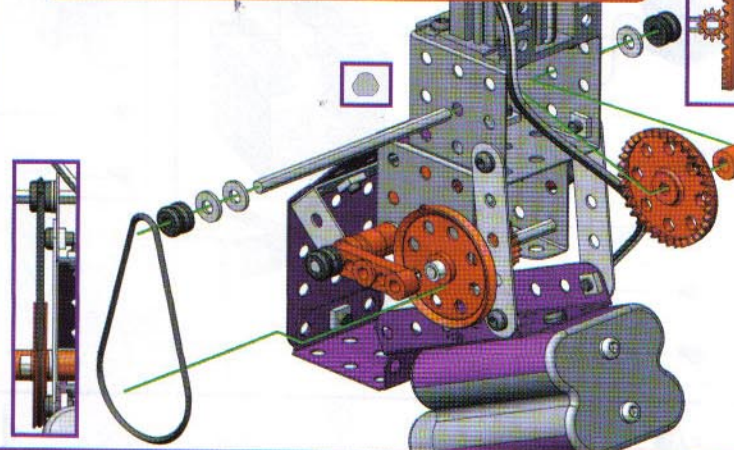
- 5**
- | | | | |
|---|----|---|----|
|  | x1 |  | x6 |
|  | x1 |  | x2 |
|  | x2 |  | x2 |
|  | x2 |  | x1 |





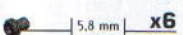


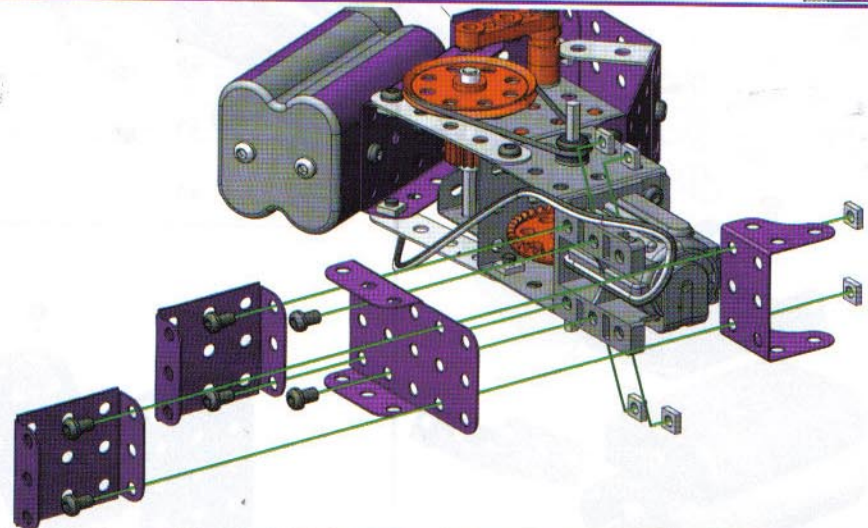
- 6**
- | | | | |
|---|----|---|----|
|  | x1 |  | x2 |
|  | x1 |  | x2 |
|  | x1 |  | x2 |









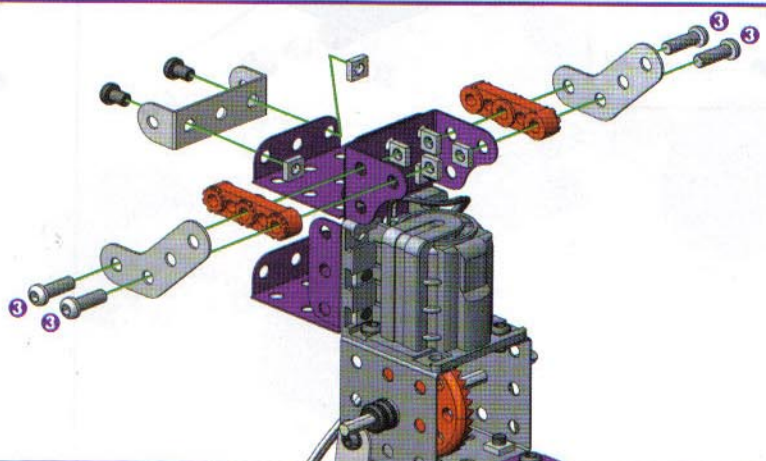
- 7**
- | | | | | | |
|--|----|---|----|---|----|
|  | x1 |  | x1 |  | x3 |
|  | x1 |  | x1 |  | x2 |



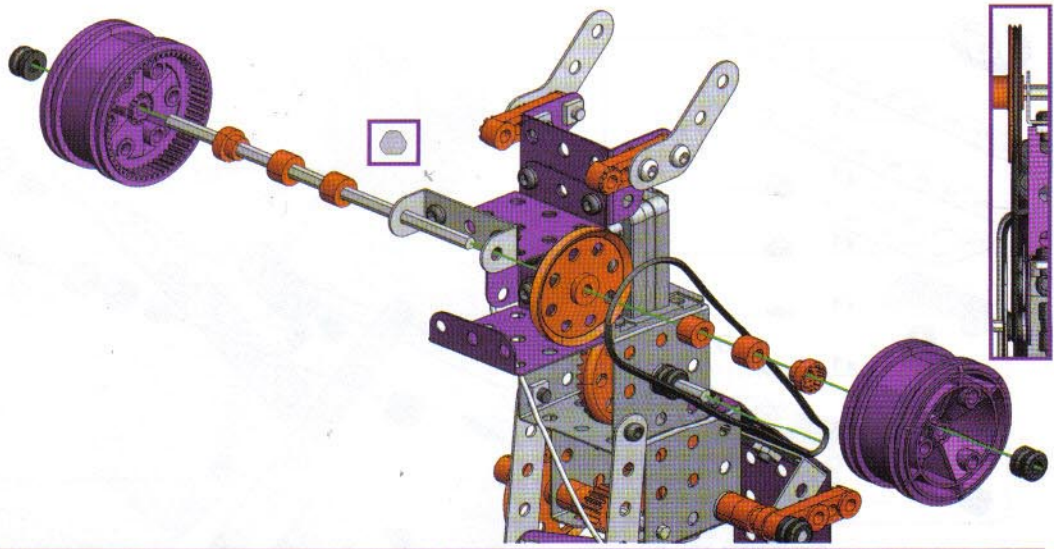
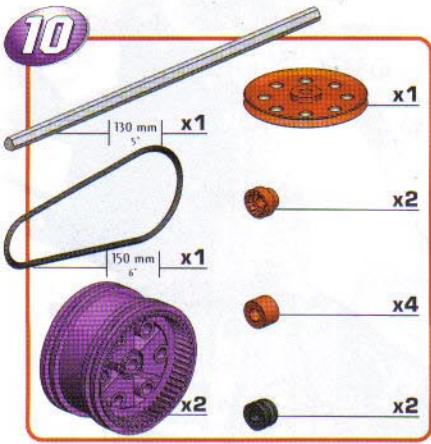
- 8**
- | | |
|---|----|
|  | x1 |
|  | x2 |
|  | x1 |
|  | x6 |
|  | x6 |



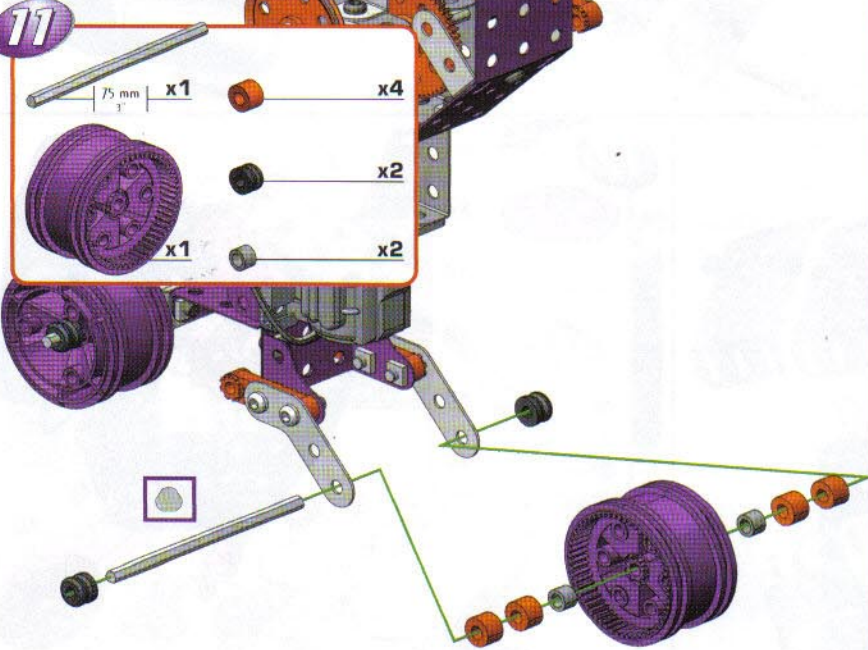
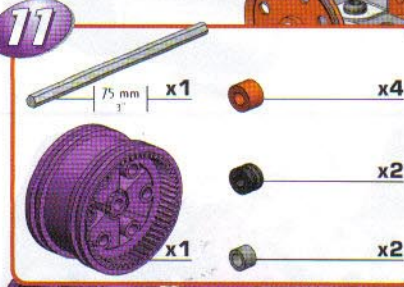
- 9**
- | | | | | | |
|---|----|---|----|---|----|
|  | x1 |  | x2 |  | x4 |
|  | x2 |  | x6 |  | x2 |



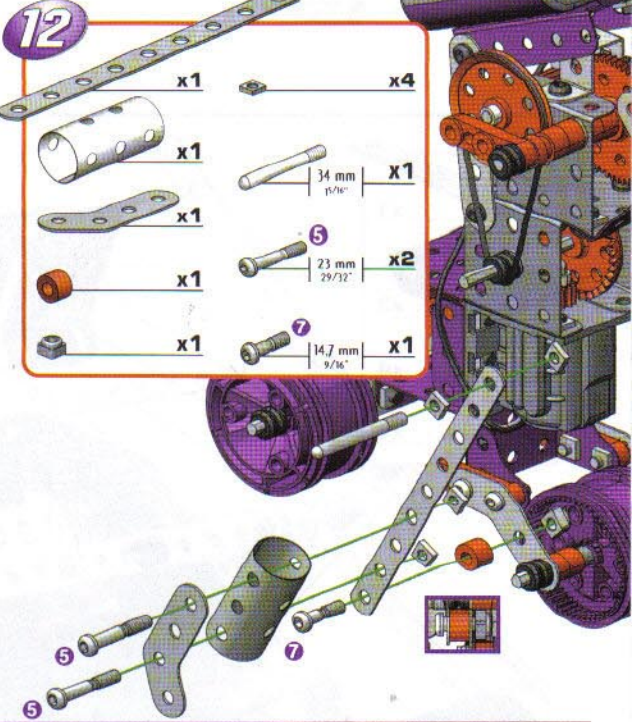
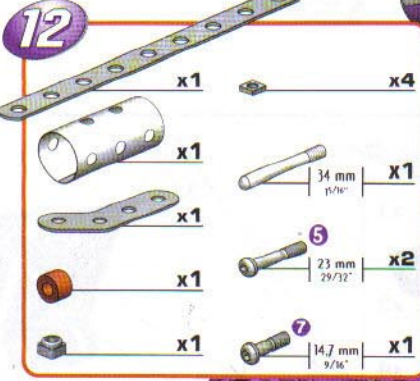
10



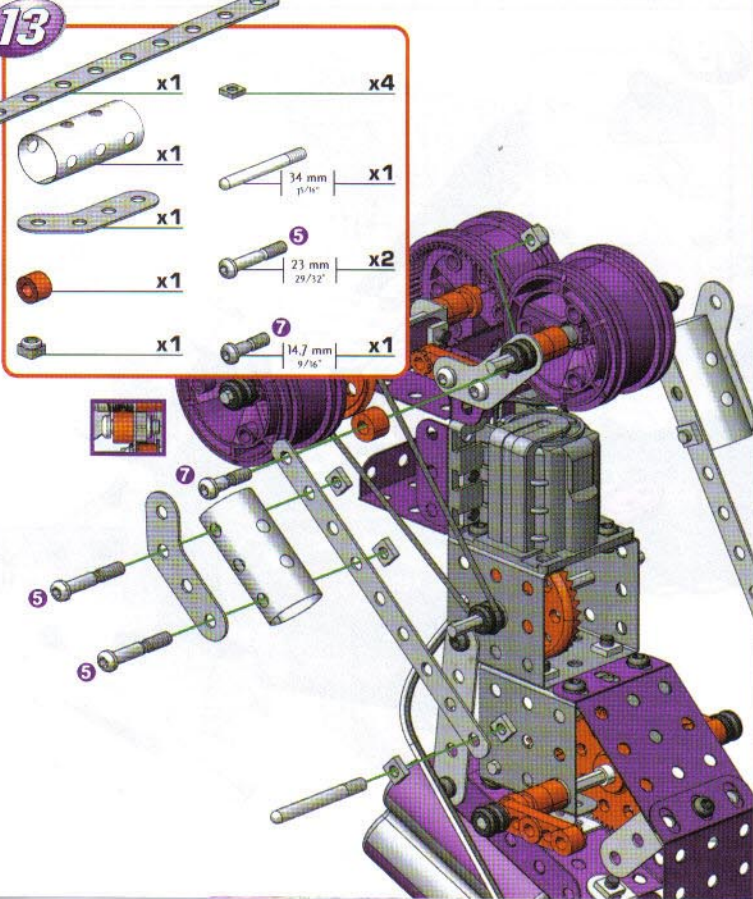
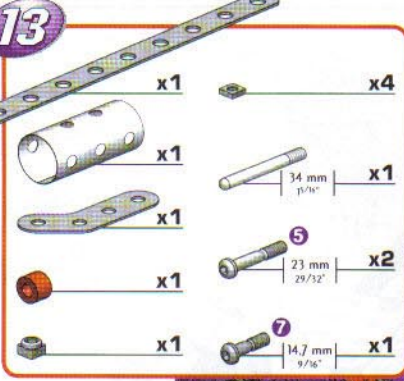
11



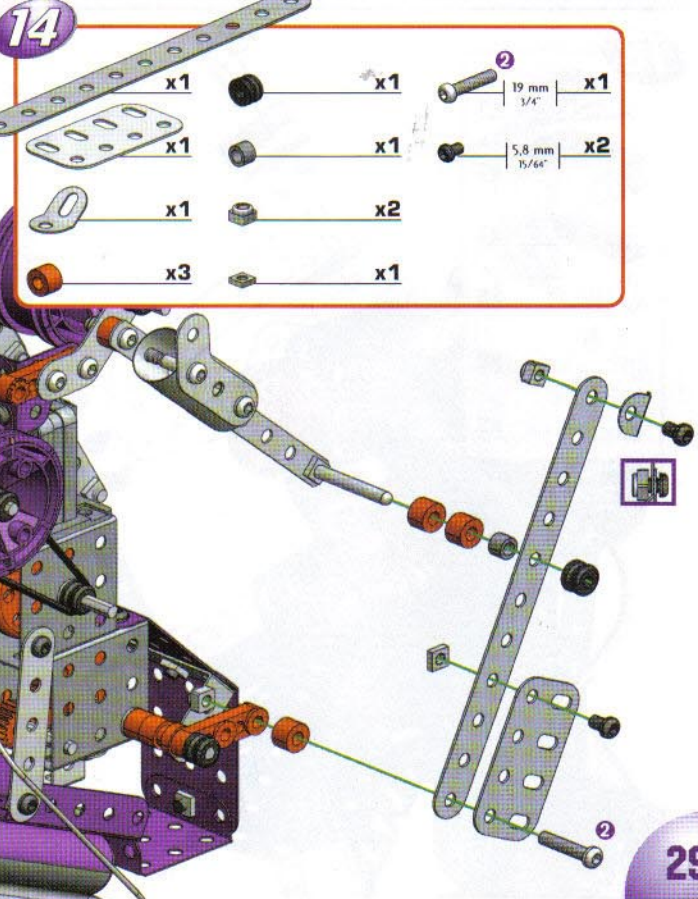
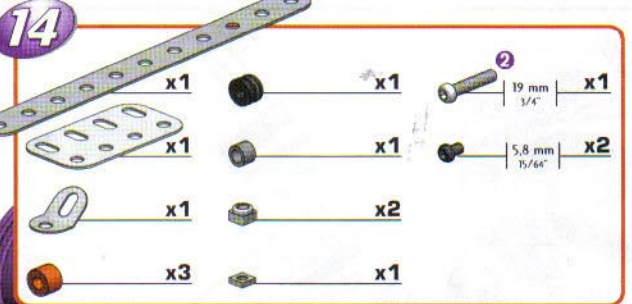
12













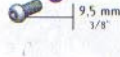
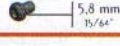


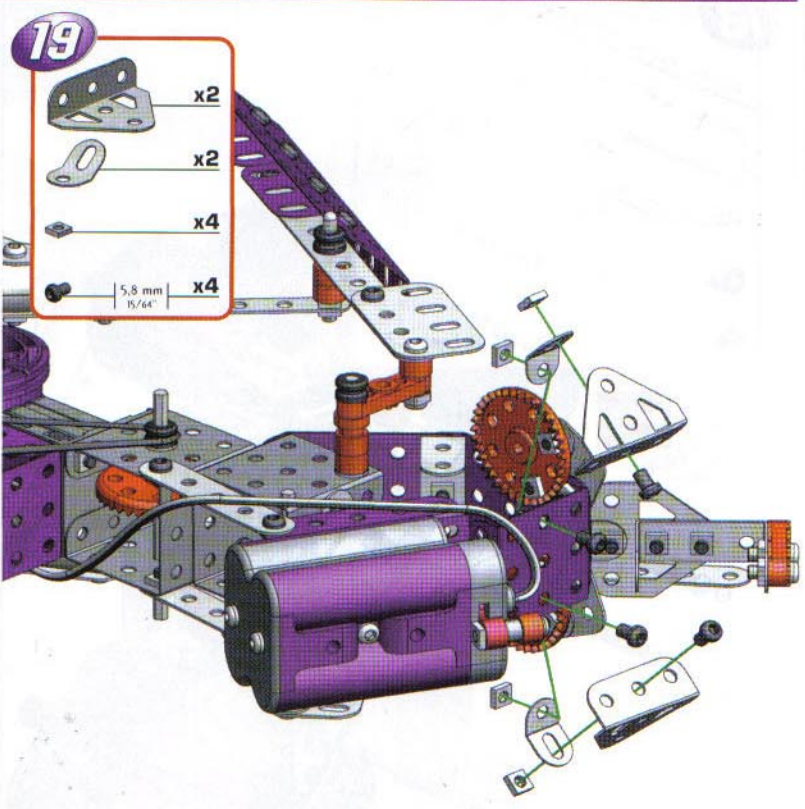
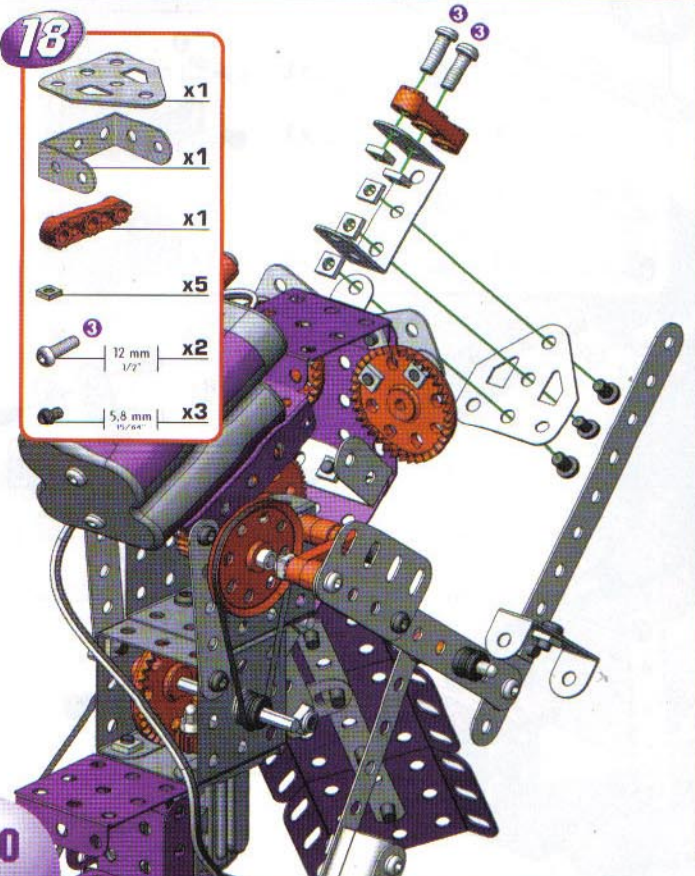
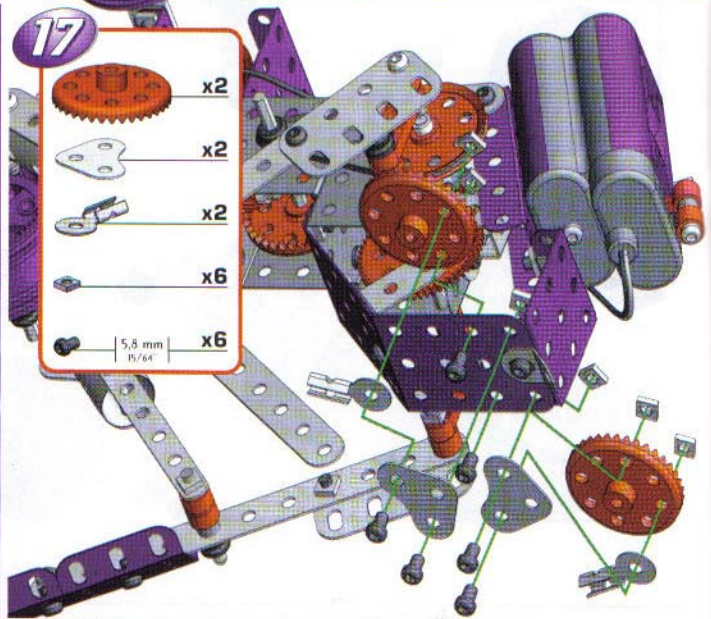
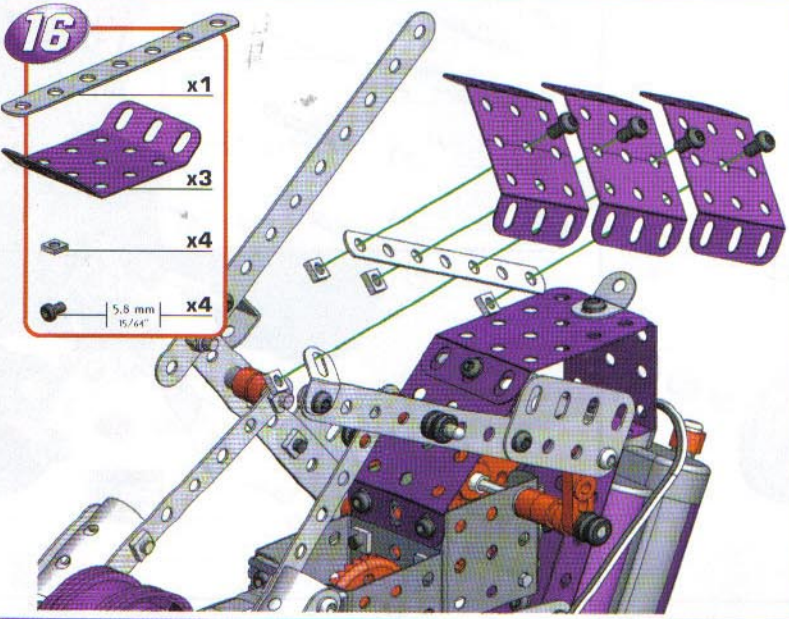
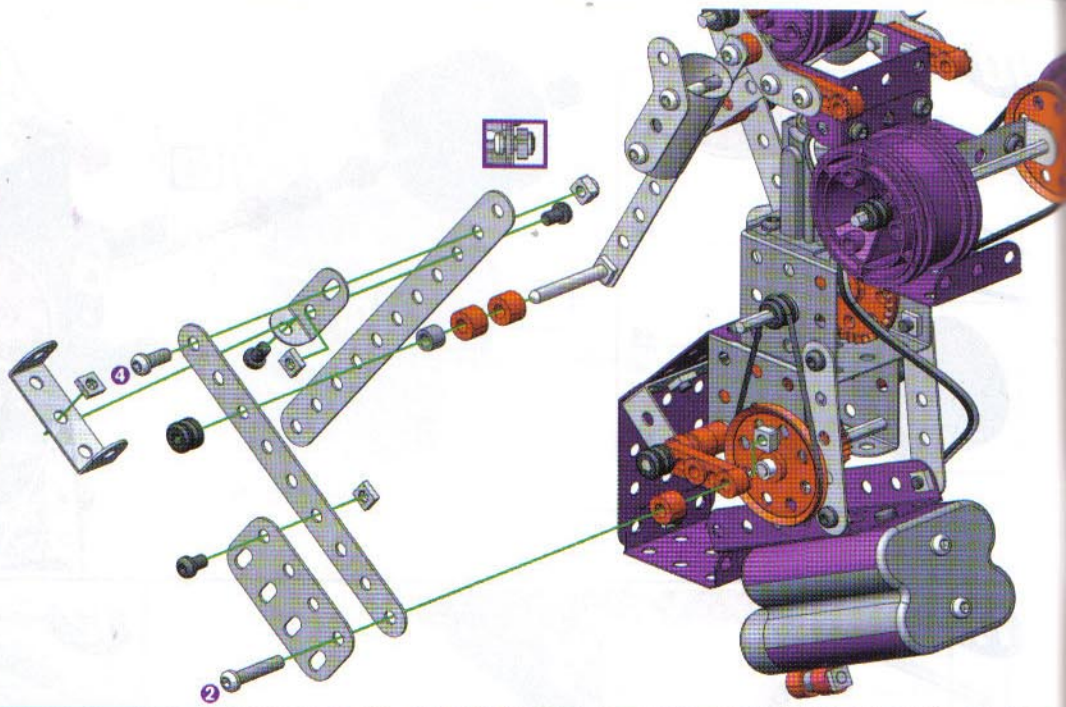
13



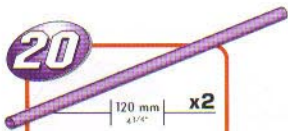





14

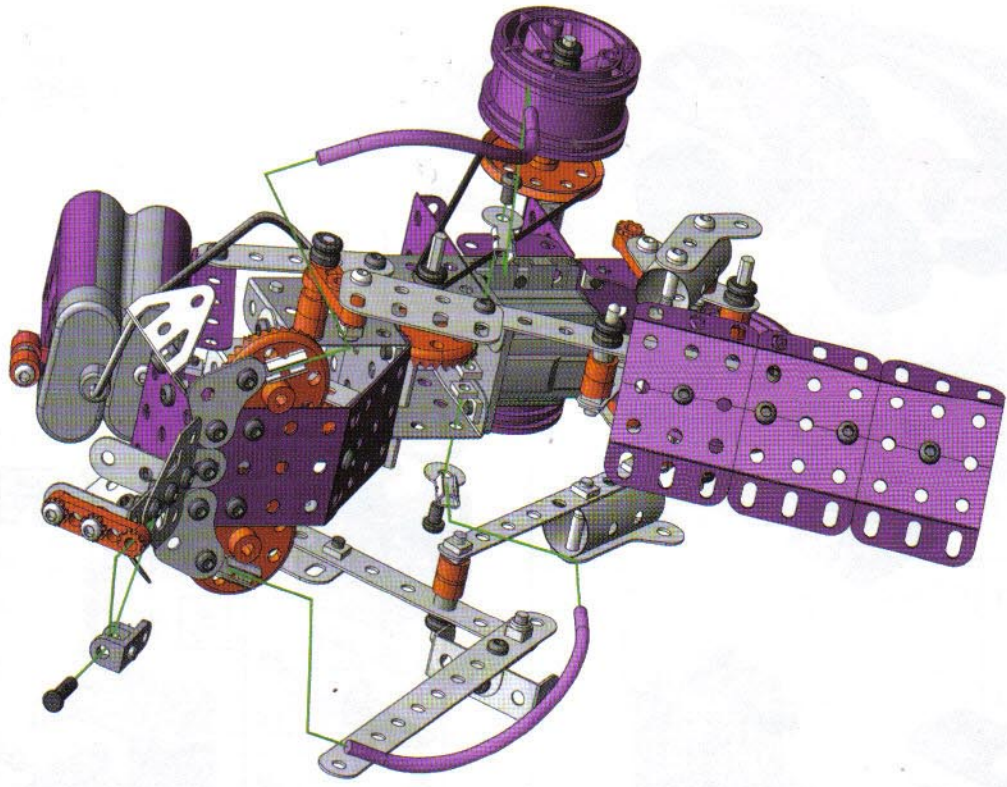


- 75**
-  x1
 -  x1
 -  x1
 -  x1
 -  x1
 -  x1
 -  x3
 -  x1
 -  x1
 -  x2
 -  x3
 -  x1
 -  x1
 -  x3


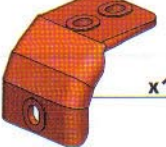








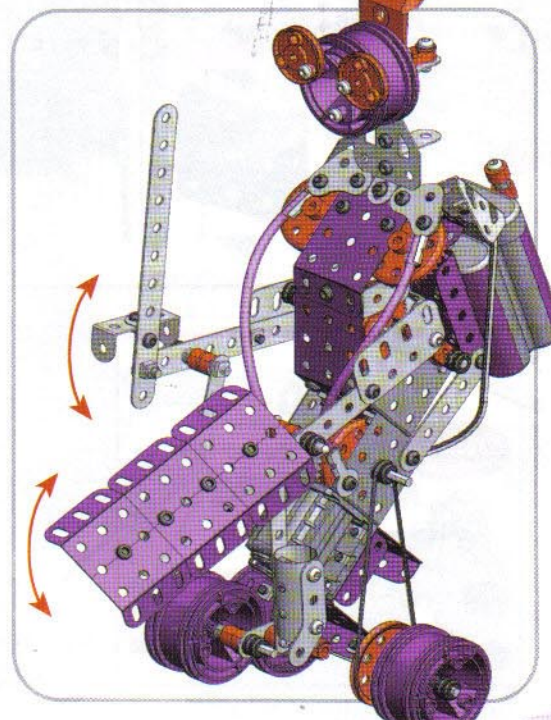
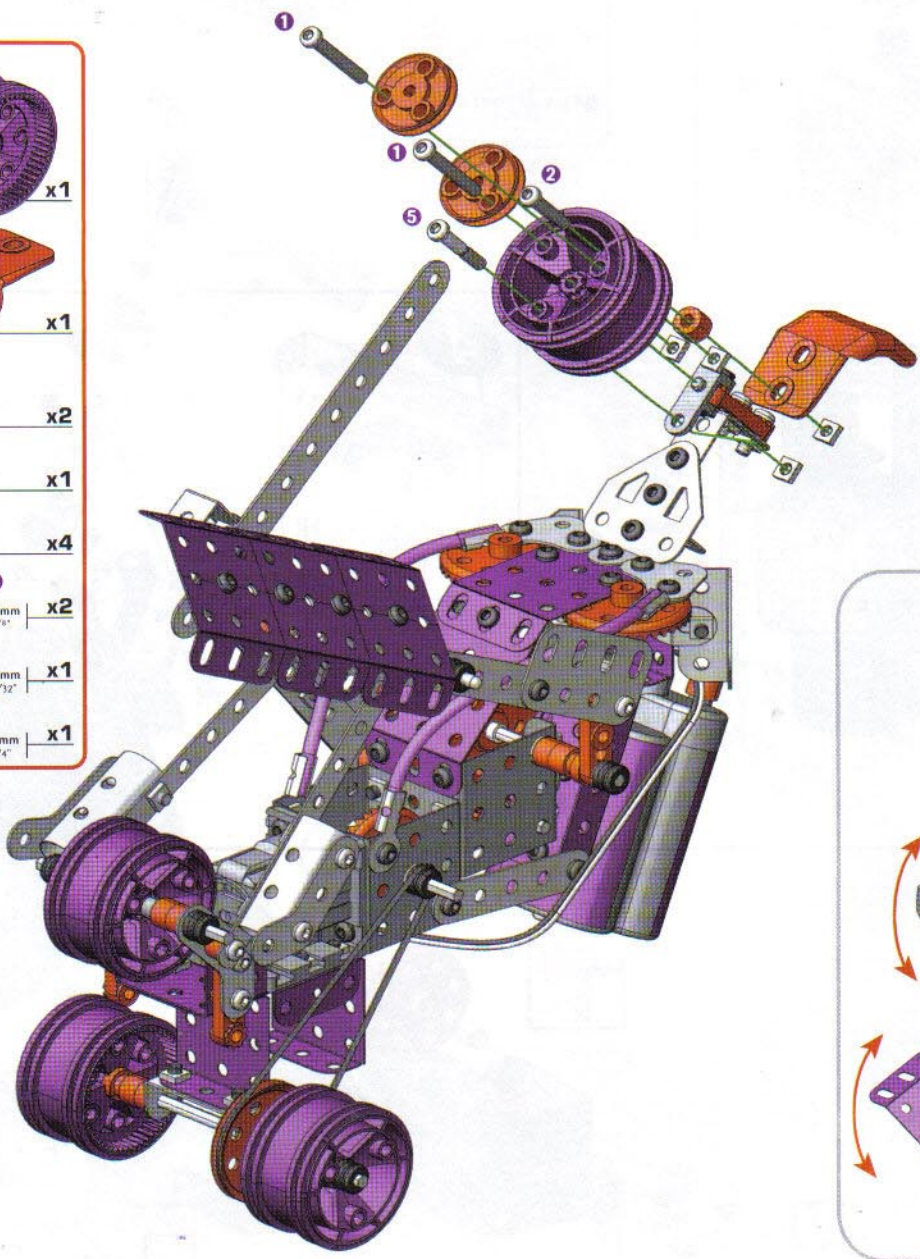
20

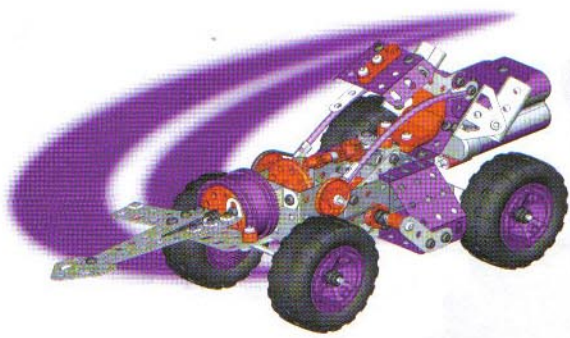
-  120 mm
4 3/4" x2
-  x2
-  x1
-  x1
-  x2
-  5,8 mm
15/64" x2



21

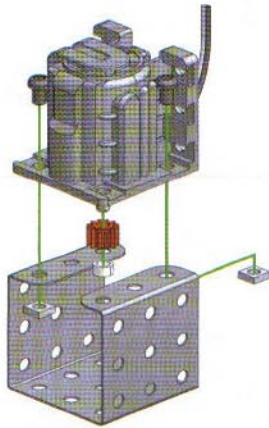
-  x1
-  x1
-  x2
-  x1
-  x4
-  28 mm
1 1/8" x2
-  23 mm
29/32" x1
-  19 mm
3/4" x1





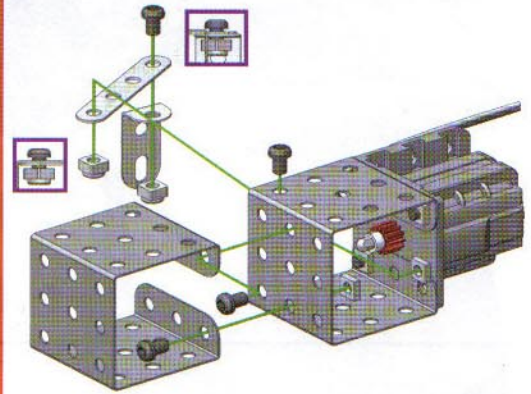
1

- x1
- x1
- x1
- x1
- x2
- x2



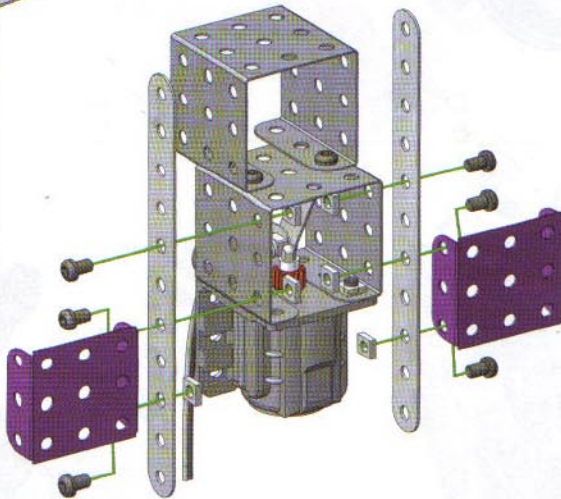
2

- x1
- x1
- x1
- x2
- x2
- x4



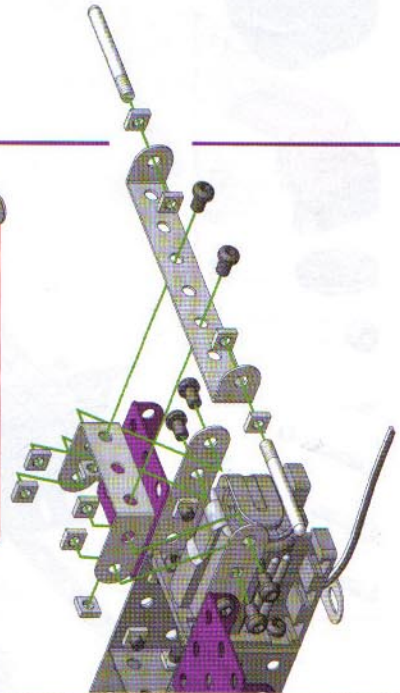
3

- x2
- x2
- x6
- x6



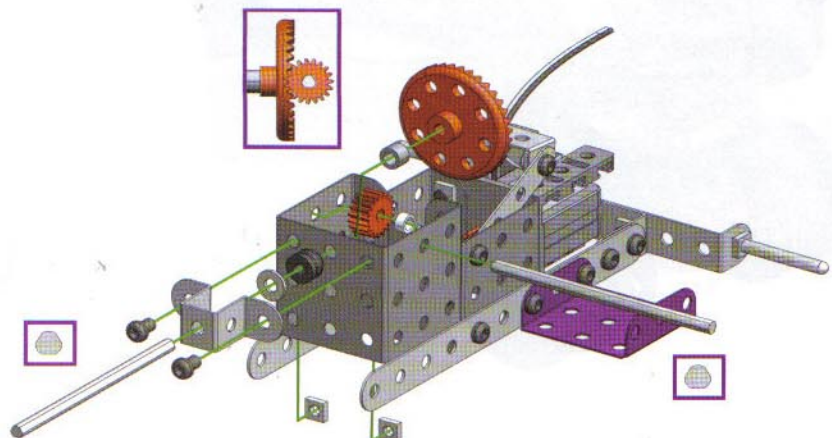
4

- x1
- x1
- x2
- x10
- x6

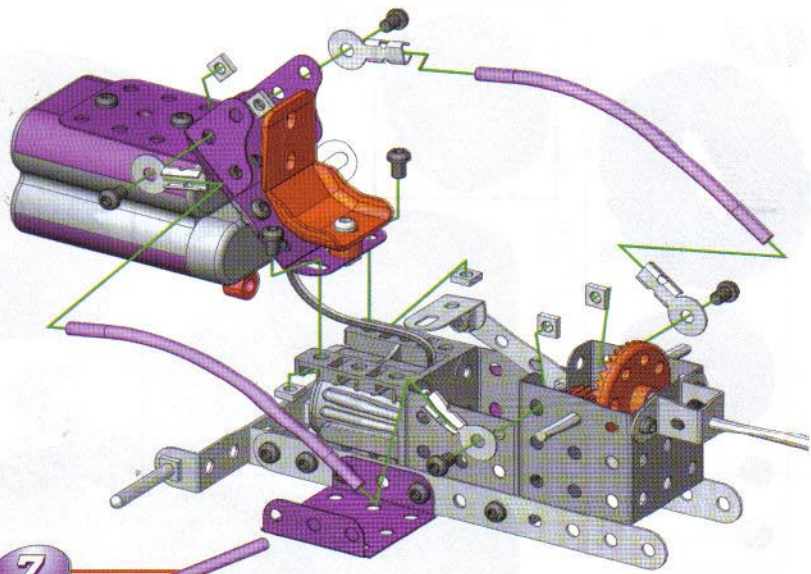
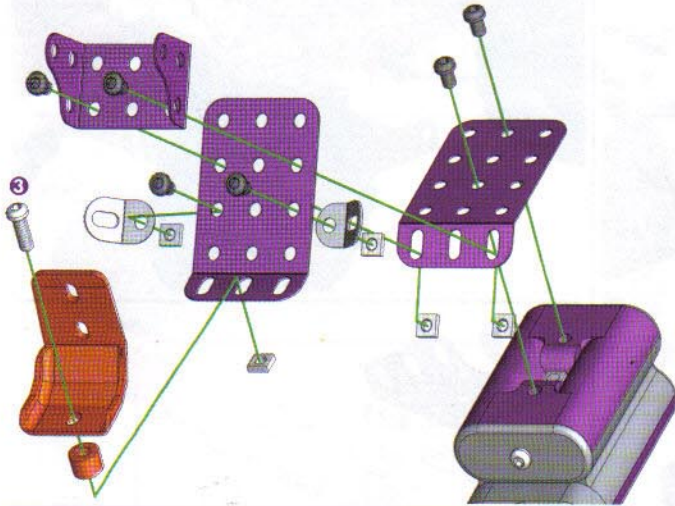


5

- x2
- x1
- x1
- x1
- x1
- x1
- x1
- x2
- x2

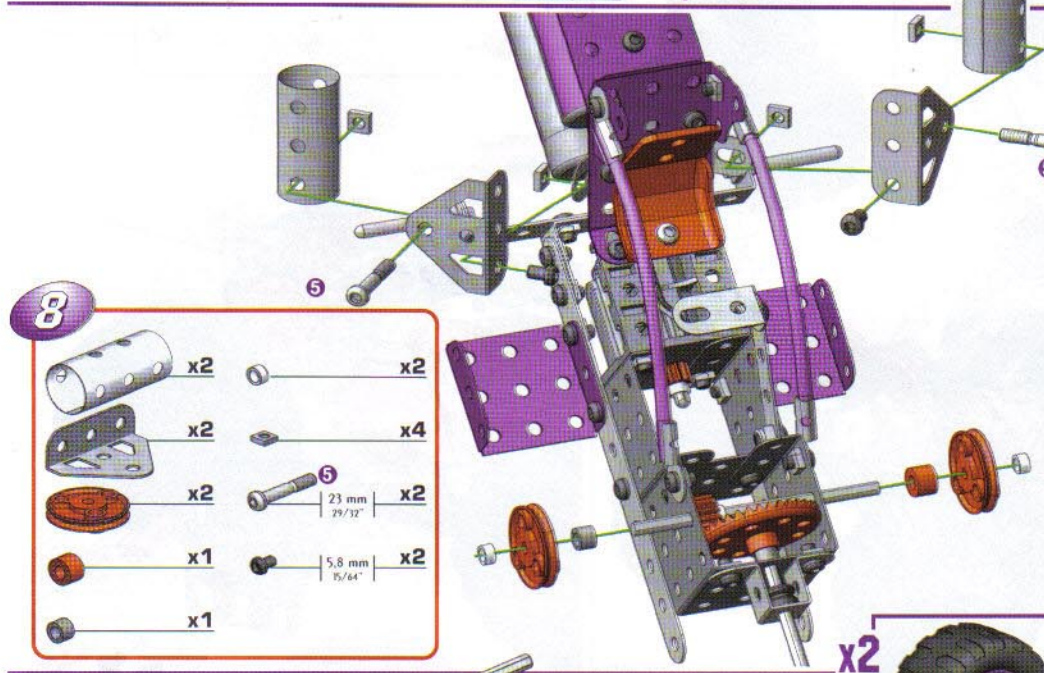


	x1		x1		x5
	x2		x2		x1
	x2		x1		x6

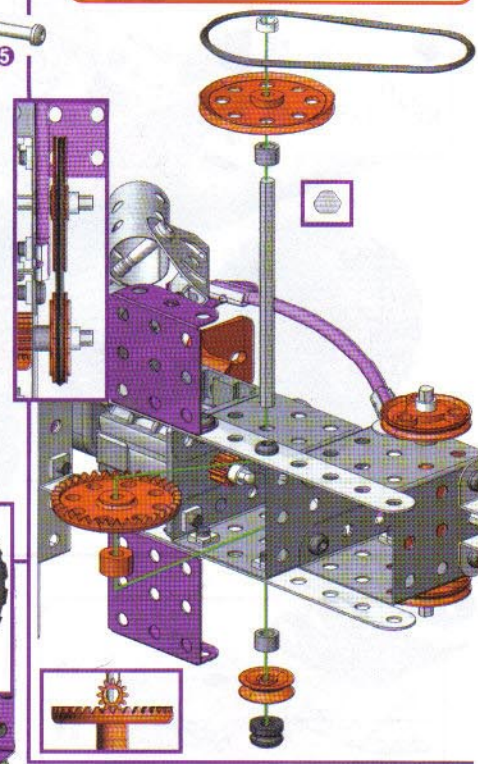


	x2
	x4
	x6
	x6

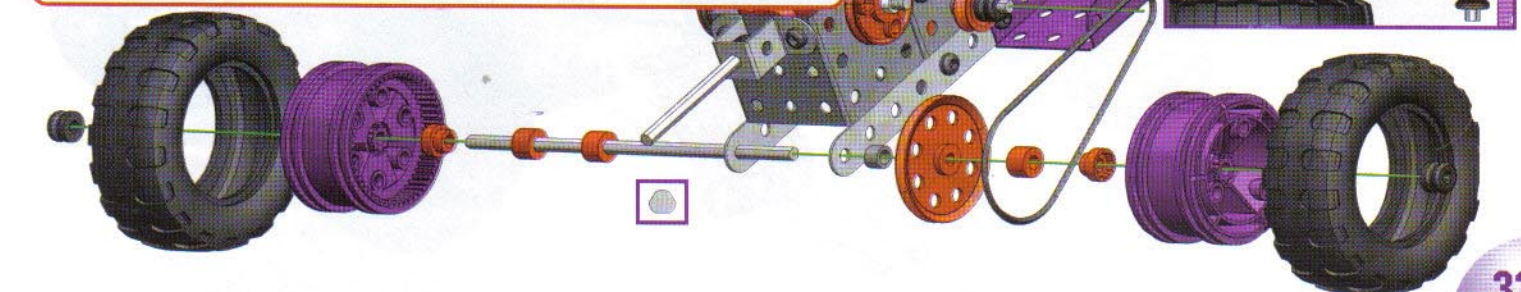
	x1		x1
	x1		x1
	x1		x2
	x1		x1
	x1		



	x2		x2
	x2		x4
	x2		x2
	x1		x2
	x1		



	x1		x2
	x1		x2
	x1		x3
	x1		x1



11

- x2
- x2
- x2
- x2

x2

12

- x2
- x1
- x4
- 5,8 mm | 15/64" x4

13

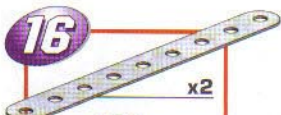




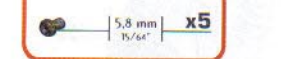
- x1
- x1
- x1
- x4
- 5,8 mm | 15/64" x2
- 12mm | 1/2" x2

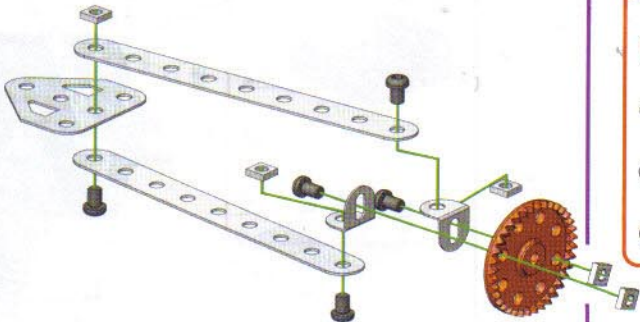
14




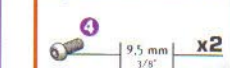
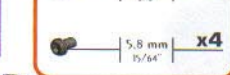
- x1
- x1
- x3
- 19 mm | 3/4" x1
- x2
- 5,8 mm | 15/64" x2

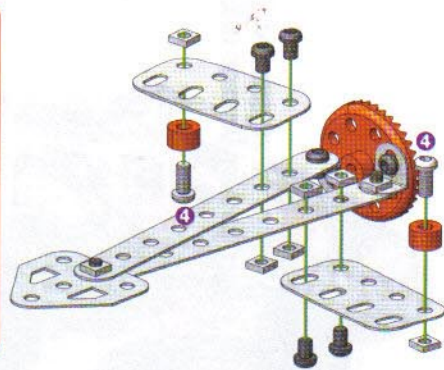
15





- x1
- x1
- x2
- x3
- 19 mm | 3/4" x1
- 5,8 mm | 15/64" x2

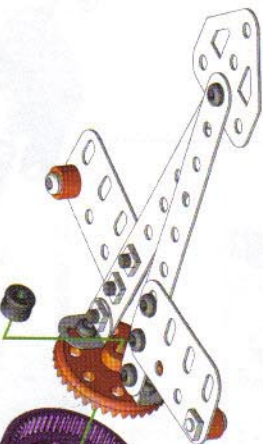
- 16**
-  x2
 -  x1
 -  x1
 -  x2
 -  x5
 -  x5










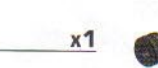
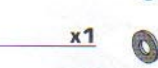
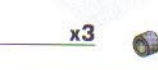


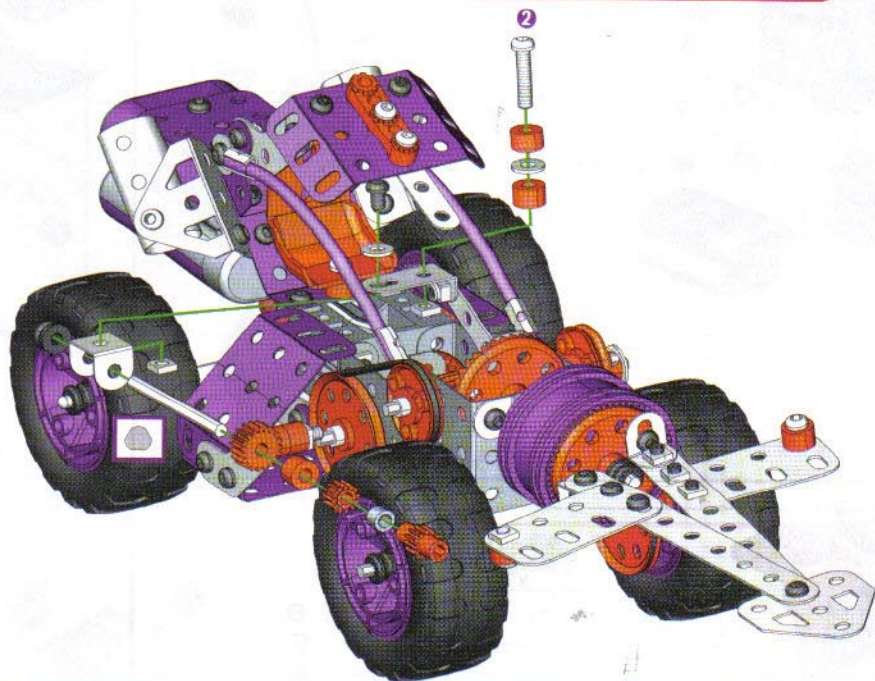
- 17**
-  x2
 -  x2
 -  x6
 -  x2
 -  x4



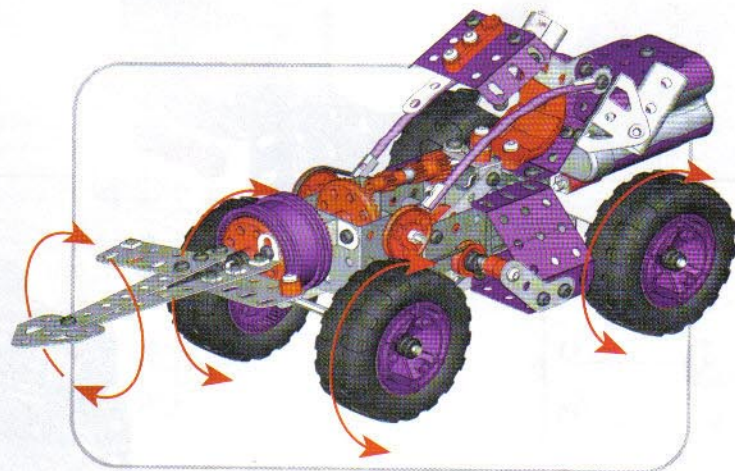
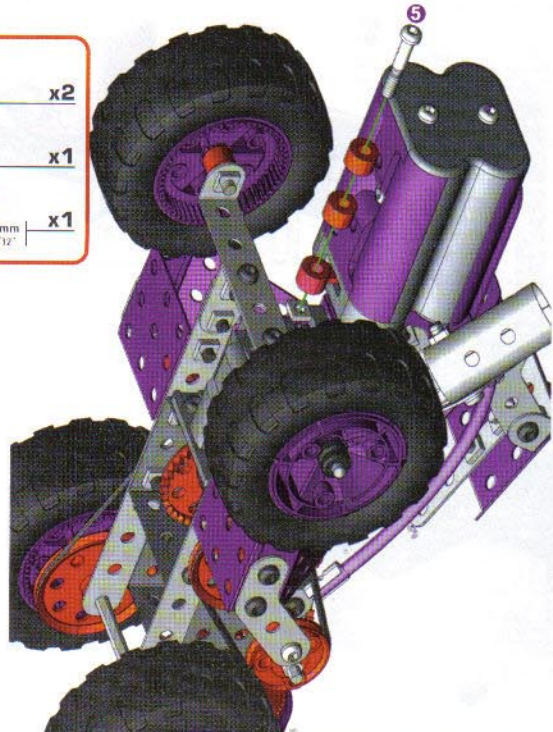
- 18**
-  x1
 -  x1
 -  x1
 -  x1

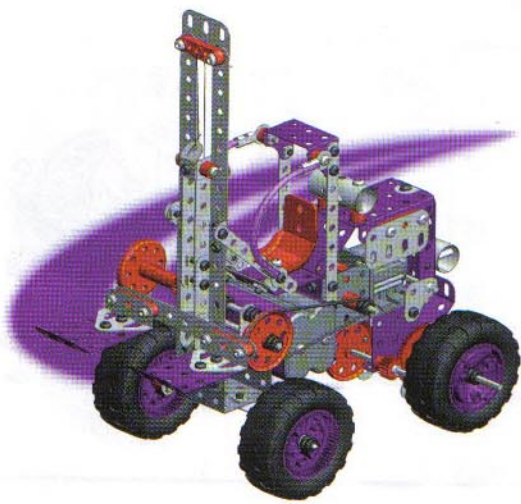


- 19**
-  50 mm 2" x1
 -  x1
 -  x1
 -  x3
 -  x1
 -  x2
 -  x1
 -  x1
 -  x2
 -  x1
 -  x1
 -  x1

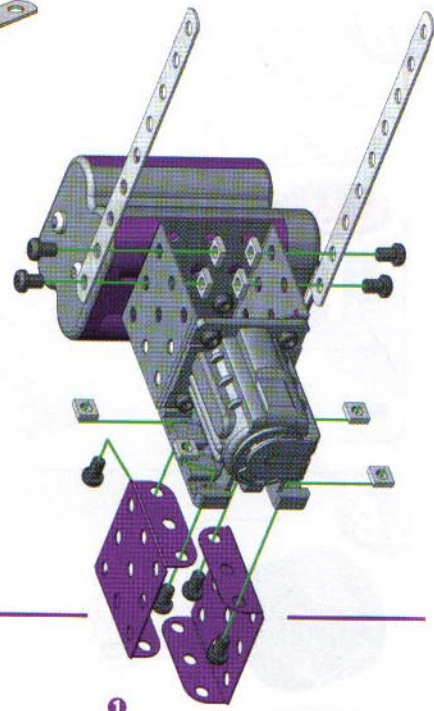


- 20**
-  x2
 -  x1
 -  x1

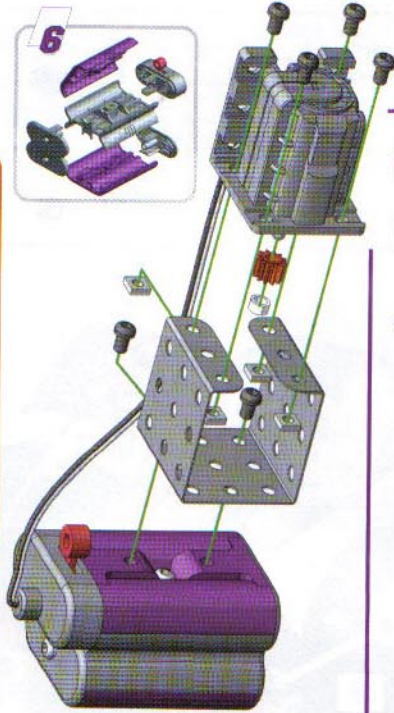




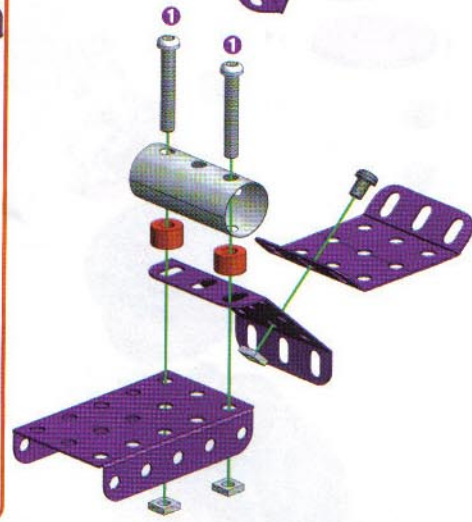
- 2**
- x2
 - x2
 - x8
 - 5,8 mm | 15/64" x8



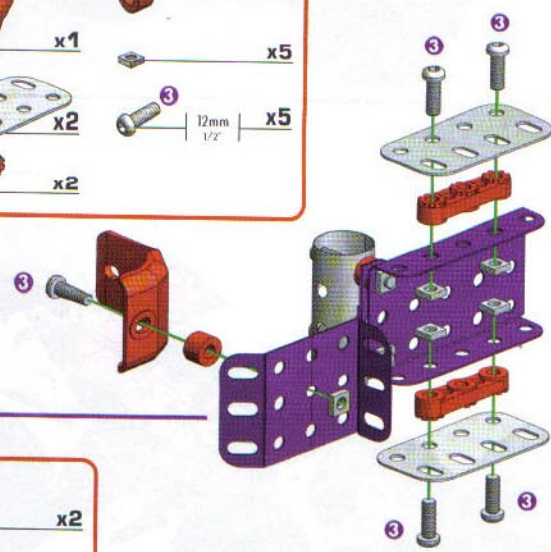
- 1**
- x1
 - x1
 - x1
 - x4
 - 5,8 mm | 15/64" x6
 - x1



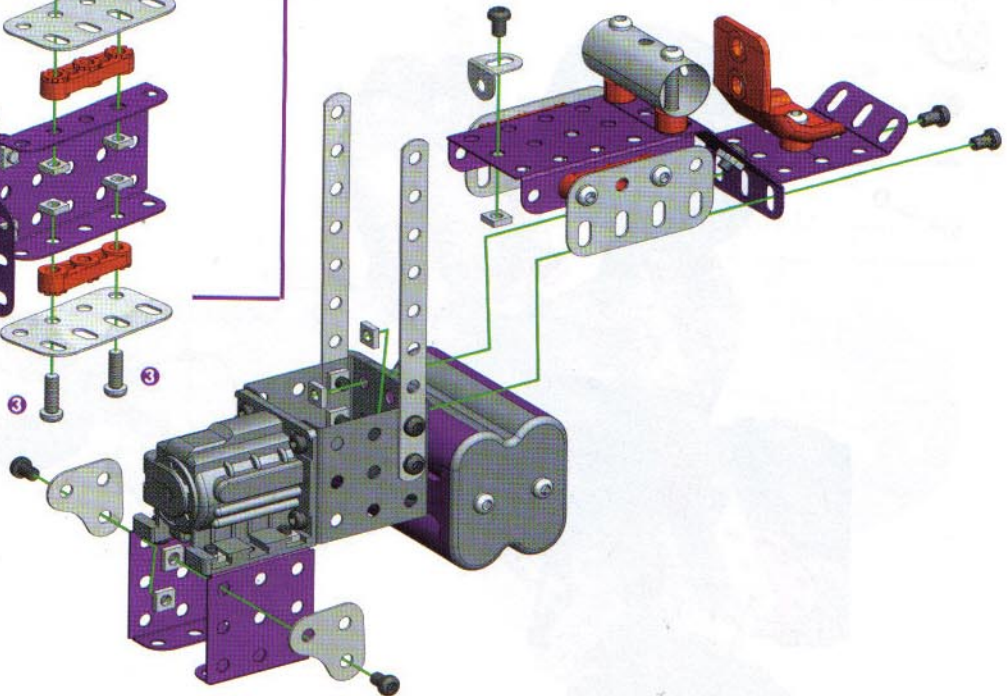
- 3**
- x1
 - x2
 - x1
 - x2
 - x2
 - x3
 - 28 mm | 1 1/8" x2
 - 5,8 mm | 15/64" x1



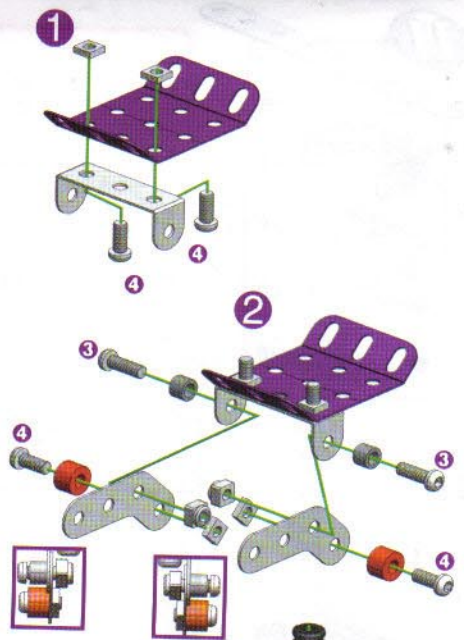
- 4**
- x1
 - x1
 - x2
 - x2
 - 12 mm | 1/2" x5
 - x5



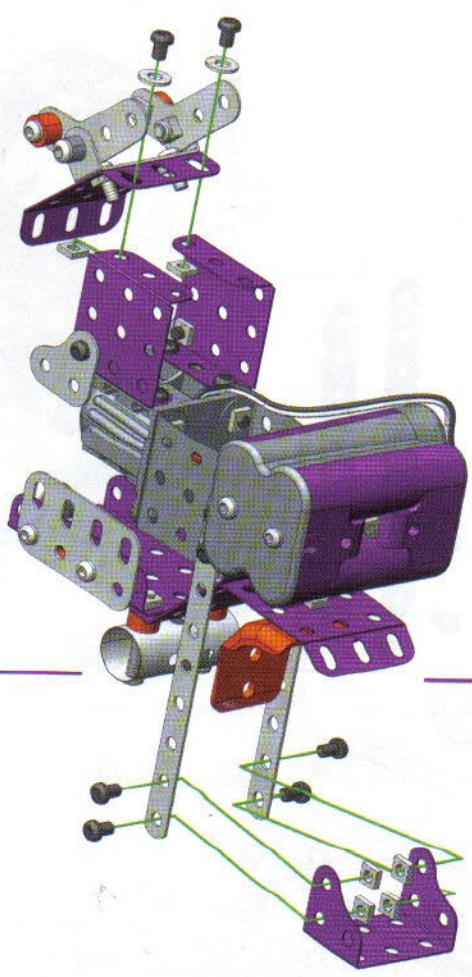
- 5**
- x2
 - x1
 - x5
 - 5,8 mm | 15/64" x5



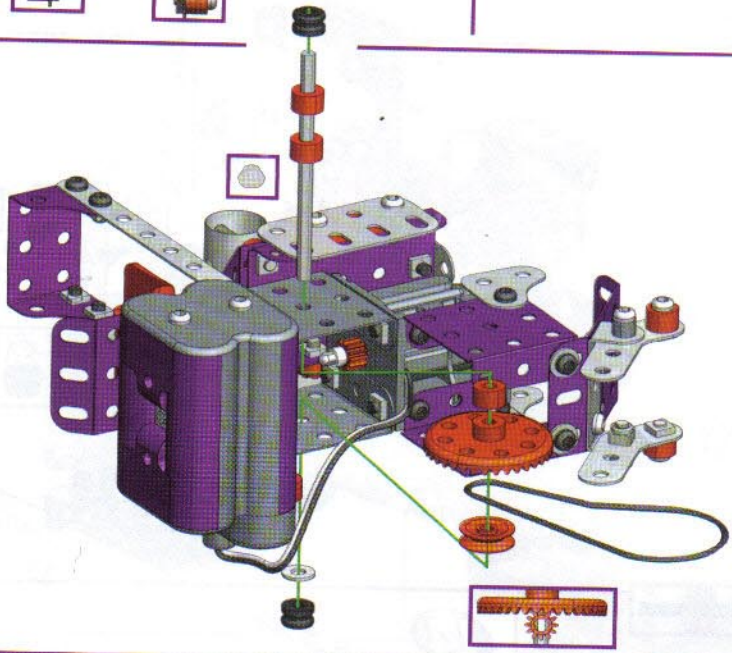
- 6**
- x1
 - x2
 - x1
 - x2
 - x2
 - x2
 - x2
 - x2
 - x4
 - x4
 - x2
 - x4



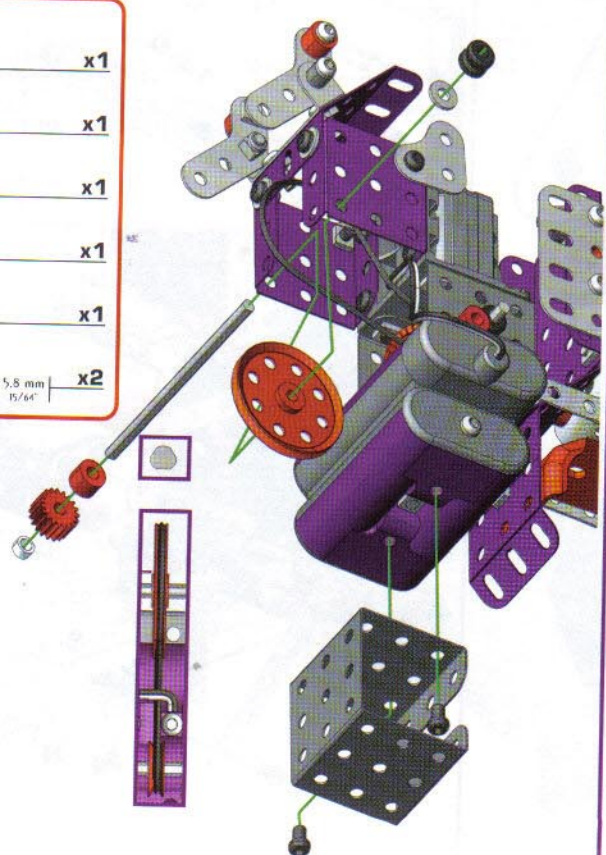
- 7**
- x1
 - x2
 - x6
 - x6



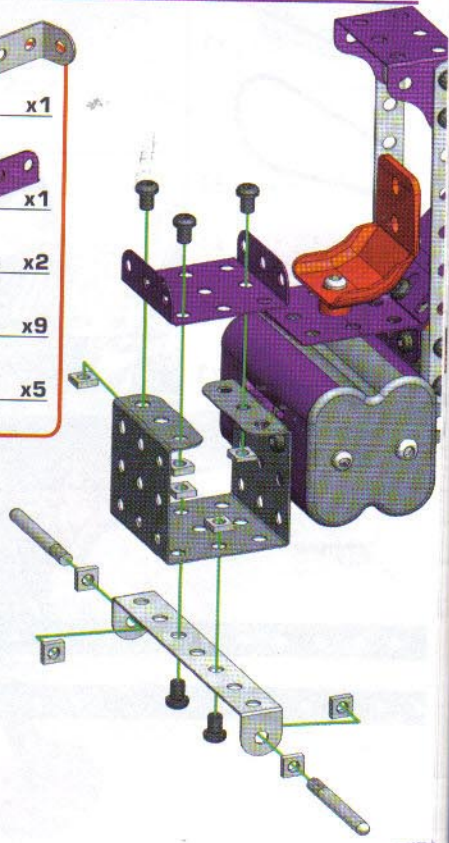
- 8**
- x1
 - x1
 - x1
 - x1
 - x2
 - x3
 - x1

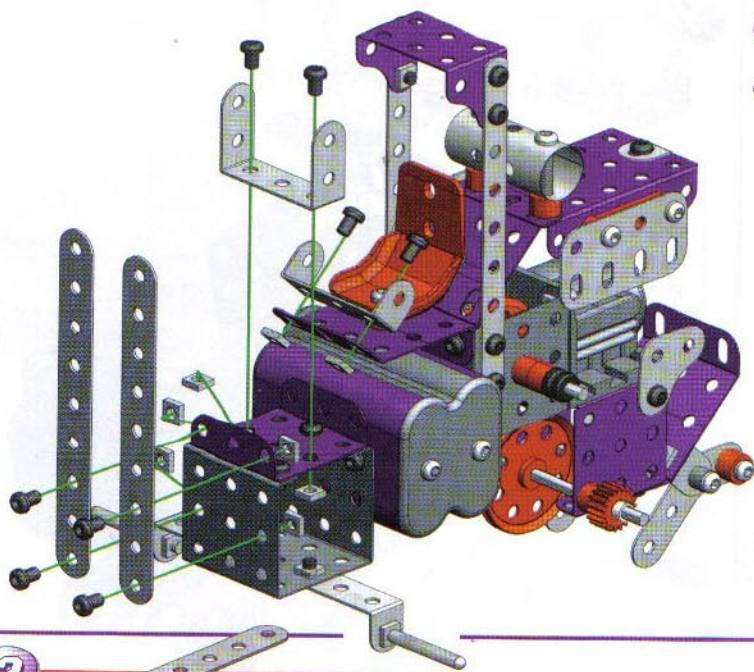


- 9**
- x1
 - x1
 - x1
 - x1
 - x1
 - x1
 - x1
 - x1
 - x2



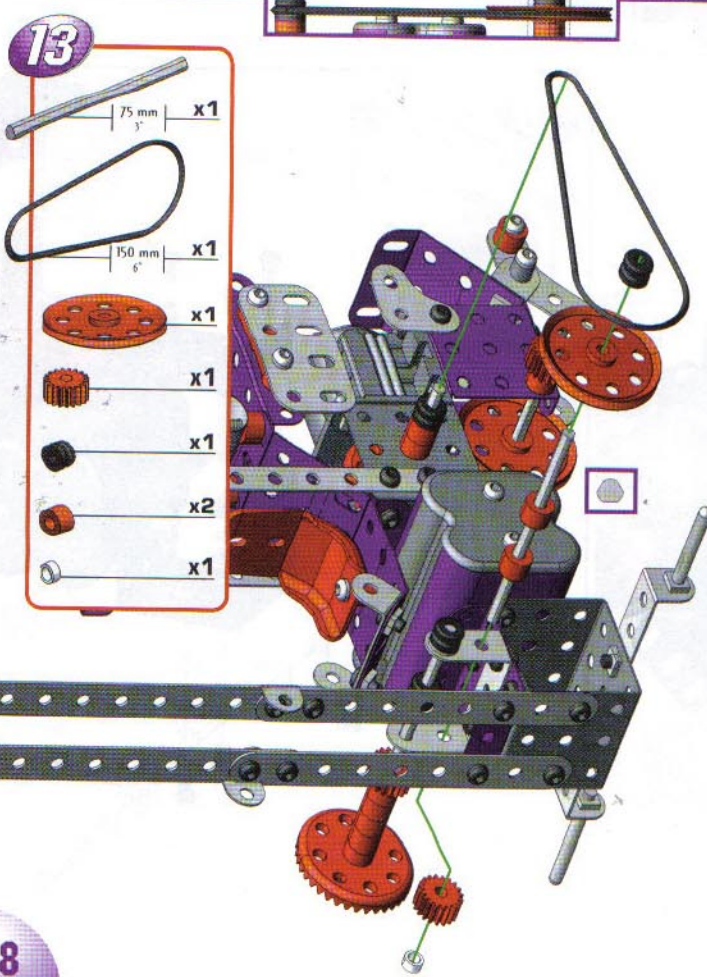
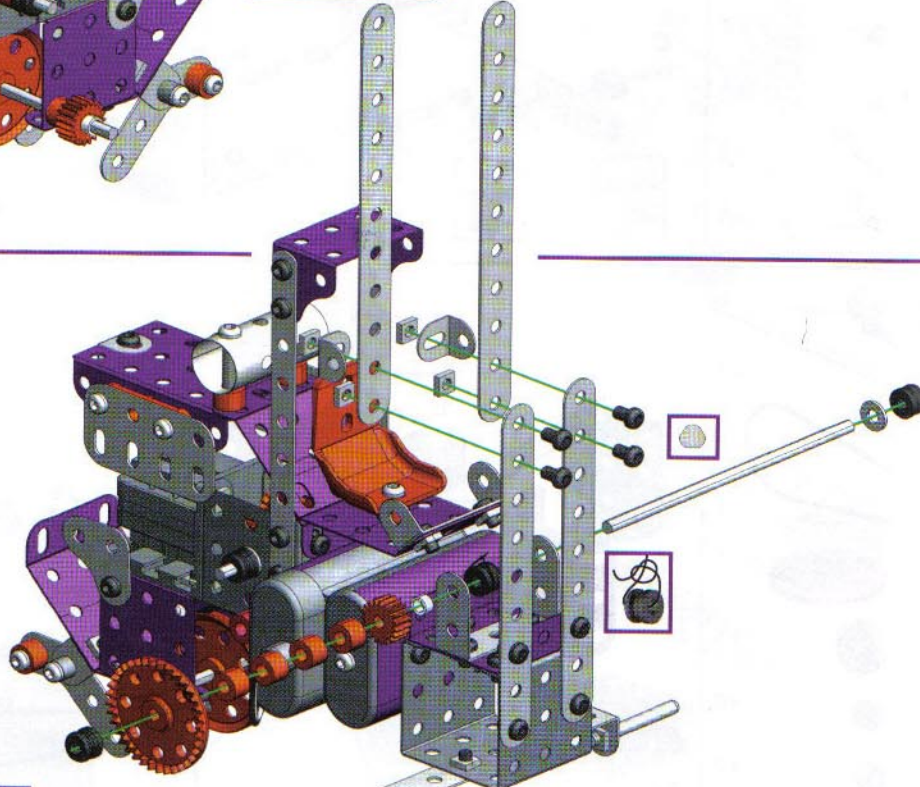
- 10**
- x1
 - x1
 - x2
 - x9
 - x5



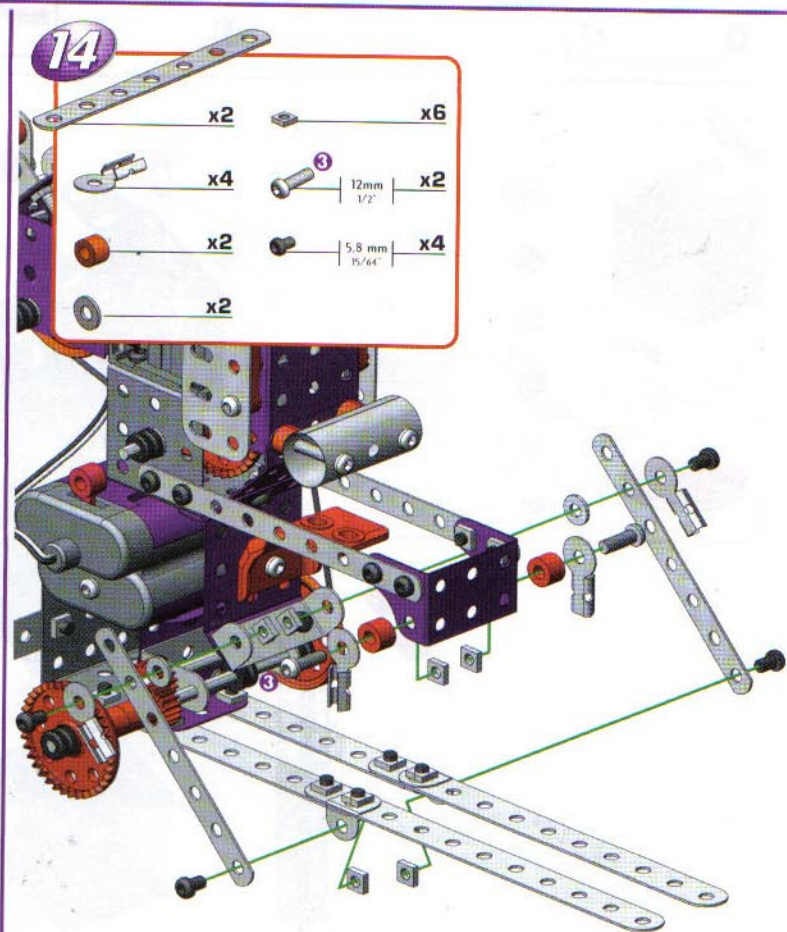


- 11**
- x2
 - x1
 - x1
 - x8
 - x8

- 12**
- x2
 - x1
 - x1
 - x1
 - x1
 - x4
 - x3
 - x4
 - x1
 - x1
 - x4
 - x4
 - x2



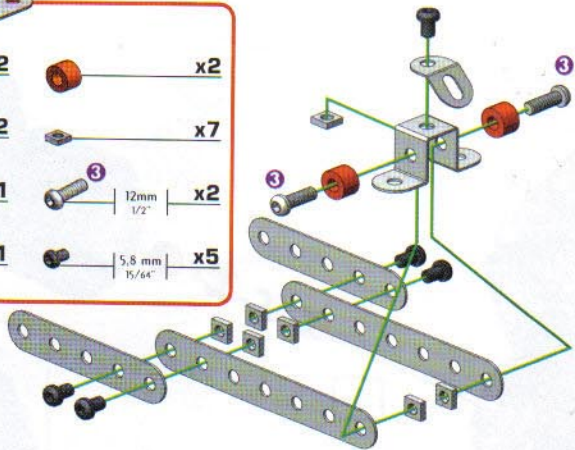
- 13**
- x1
 - x1
 - x1
 - x1
 - x1
 - x2
 - x1



- 14**
- x2
 - x4
 - x2
 - x2
 - x2
 - x4
 - x6

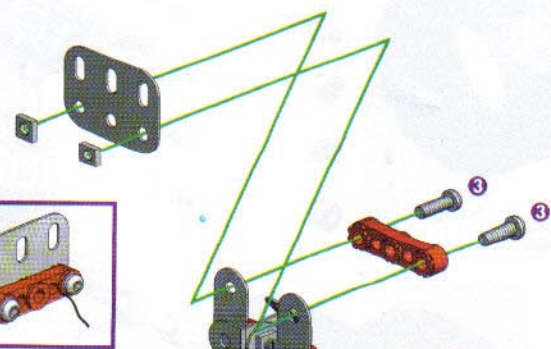
15

- x2
- x2
- x1
- x1
- x2
- x7
- x2
- x5



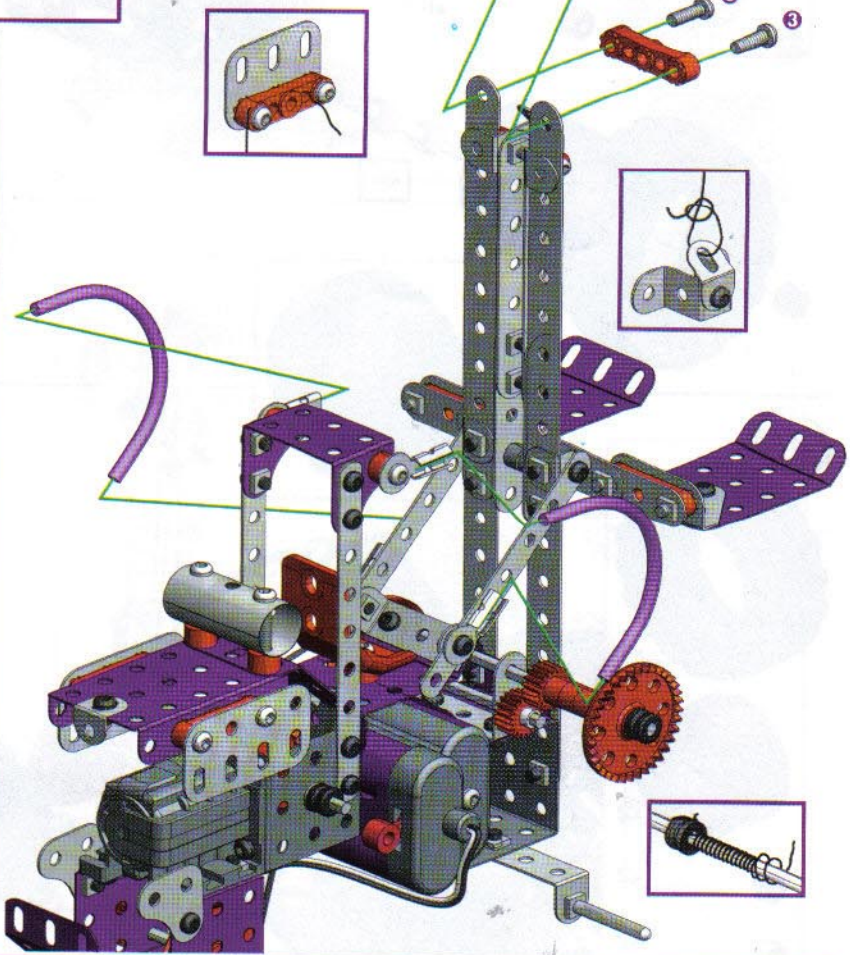
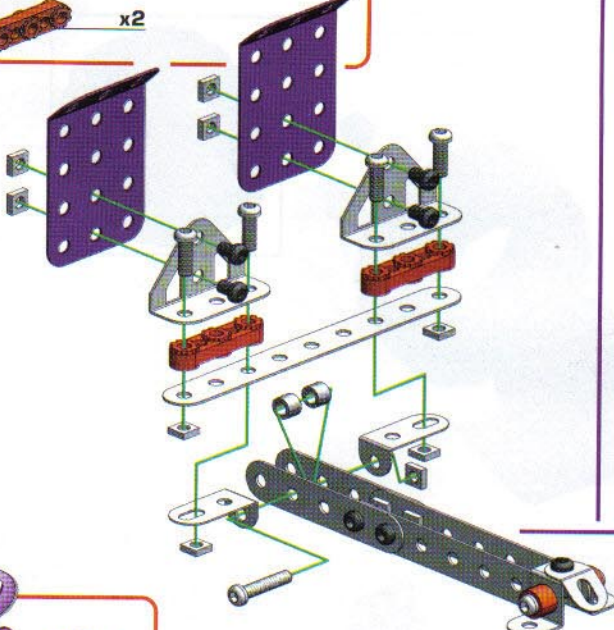
17

- x2
- x1
- x1
- x2
- x2



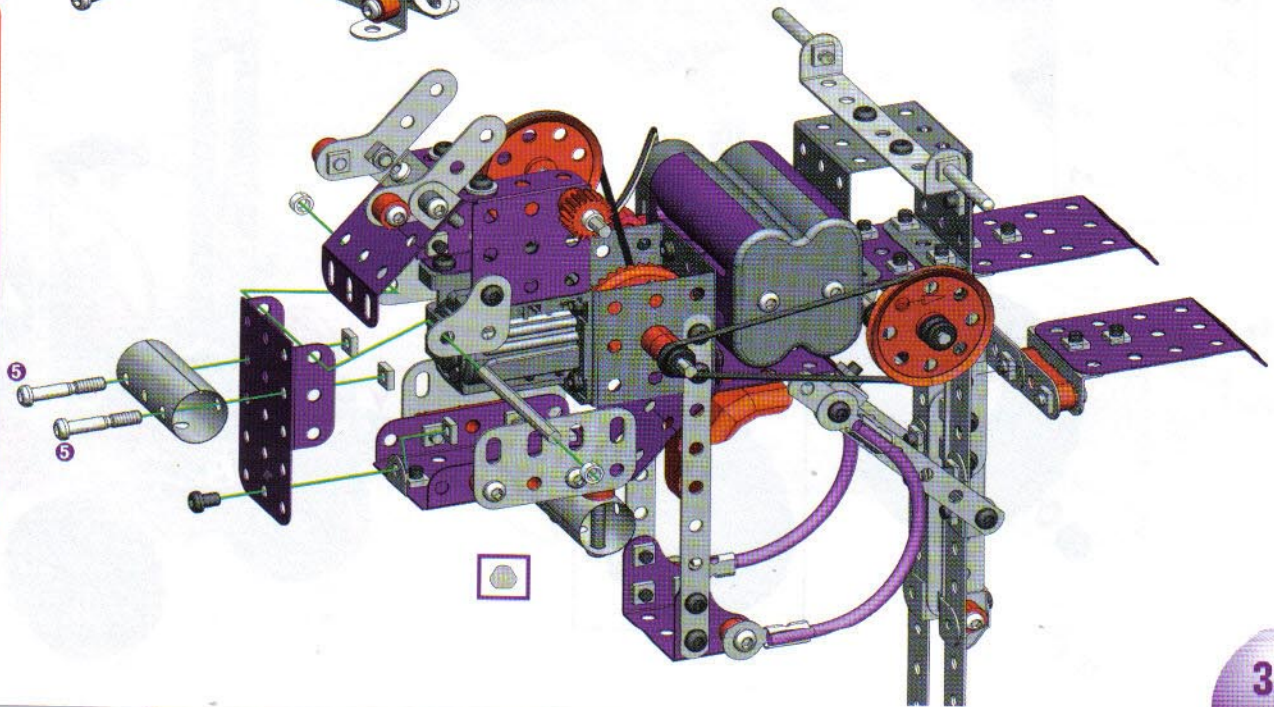
16










- x1
- x2
- x2
- x2
- x2
- x2
- x2
- x2
- x9
- x1
- x4
- x4

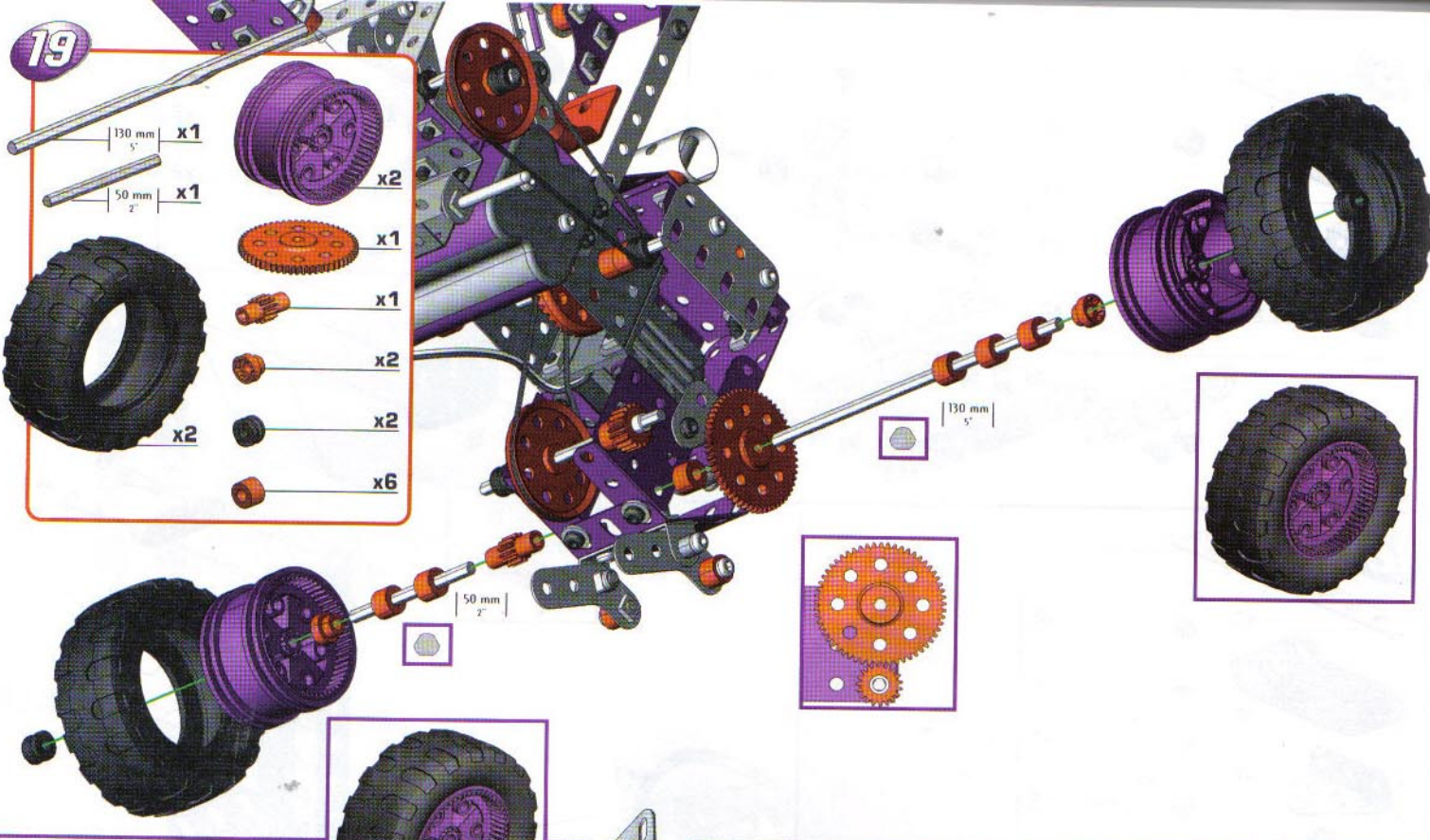


18

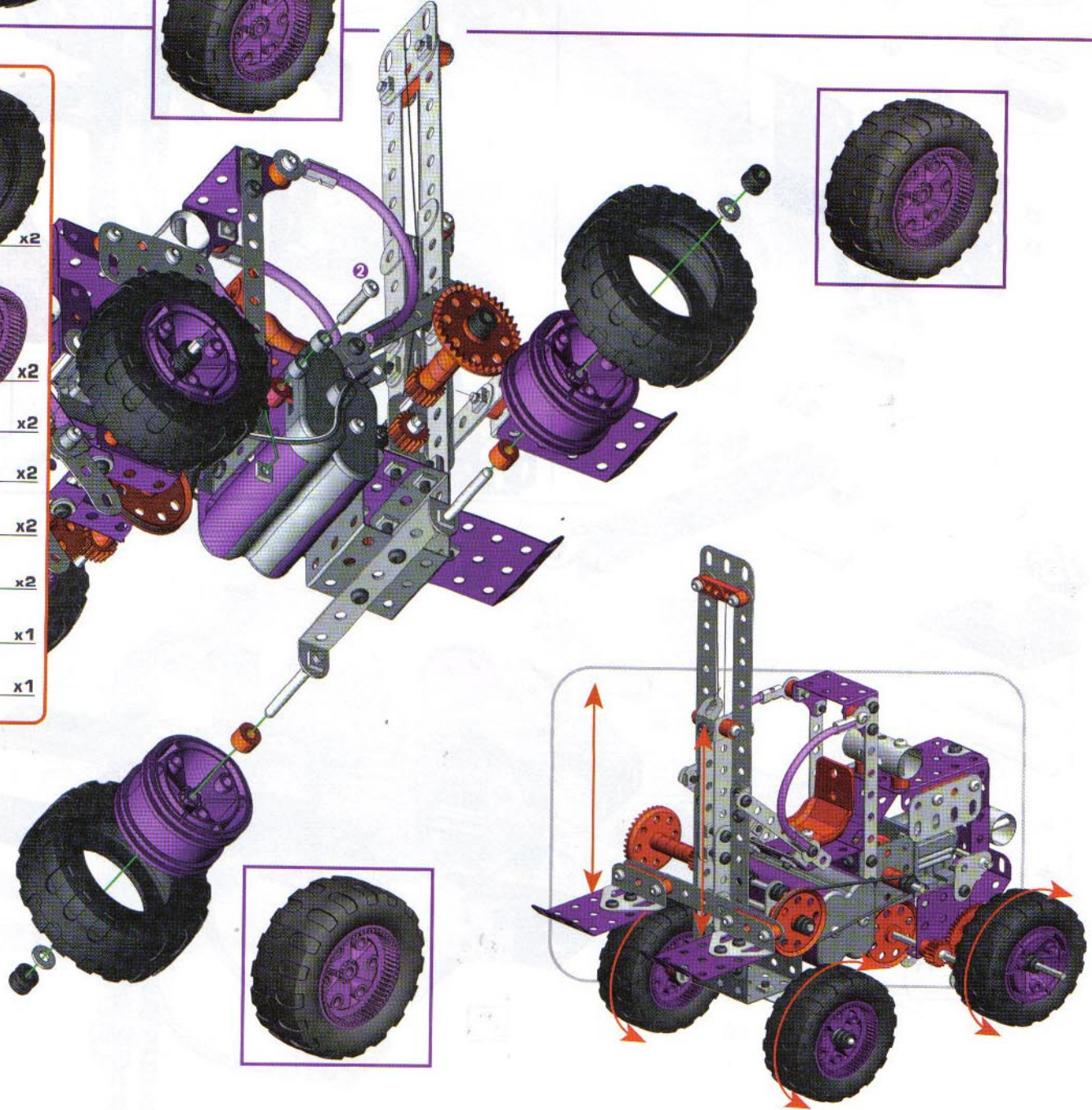
- x1
- x1
- x1
- x2
- x3
- x2
- x1

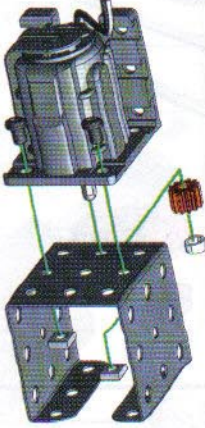
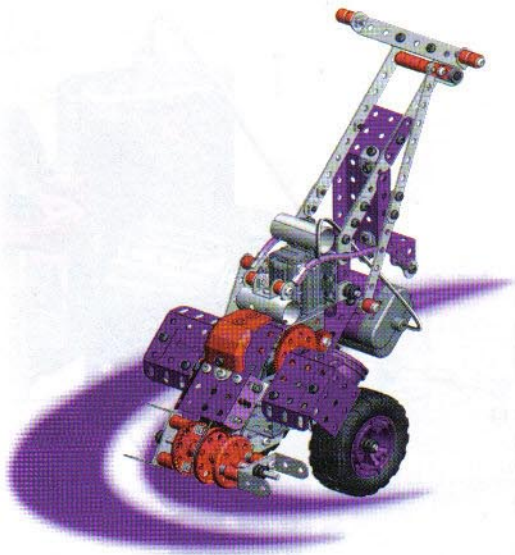


-  130 mm $\frac{5}{8}$ " x1
-  50 mm $\frac{1}{2}$ " x1
-  x2
-  x2
-  x1
-  x1
-  x2
-  x2
-  x6



-  x2
-  x2
-  x2
-  x2
-  x2
-  x2
-  x1
-  19 mm $\frac{3}{16}$ " x1



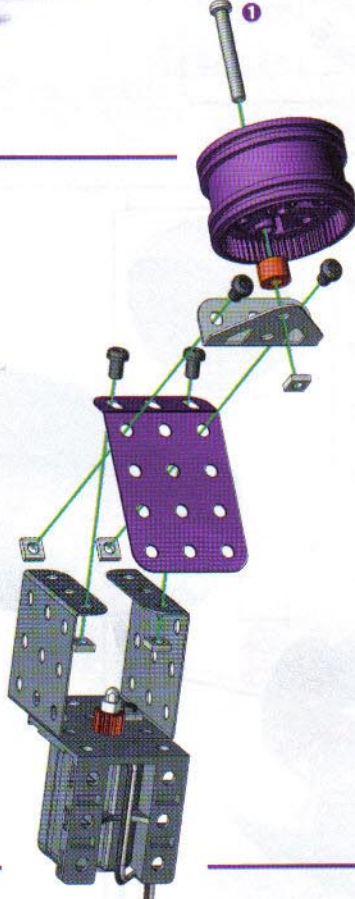


7

- x1
- x1
- x2
- x1
- x2
-

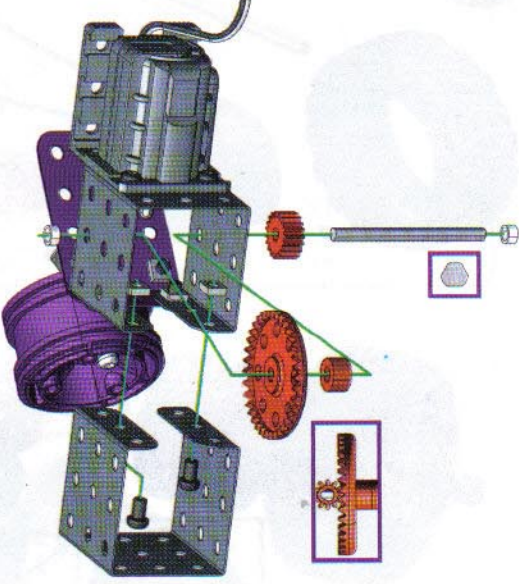
2

- x1
- x1
- x1
- x1
- x5
- x1
- x4



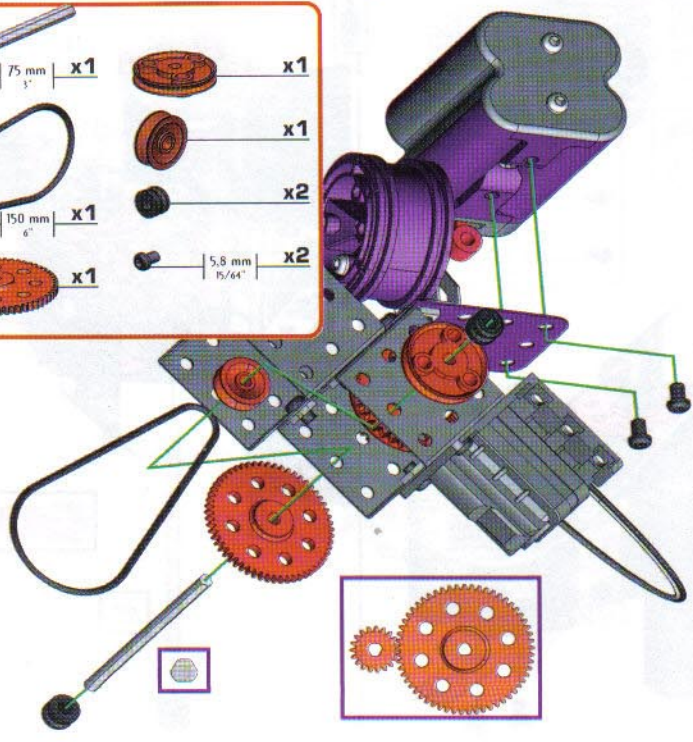
3

- x1
- x1
- x1
- x1
- x1
- x2
- x2
- x2



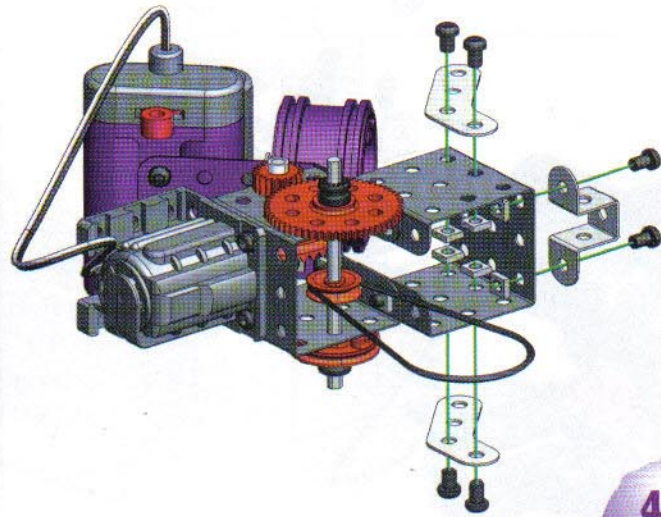
4

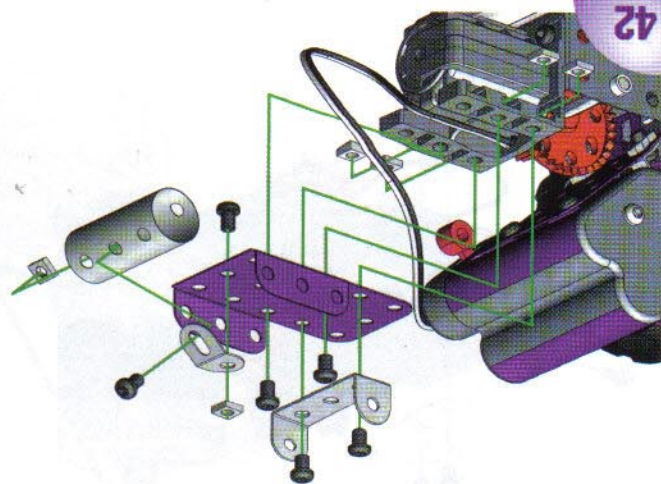
- x1
- x1
- x1
- x2
- x2
- x1



5

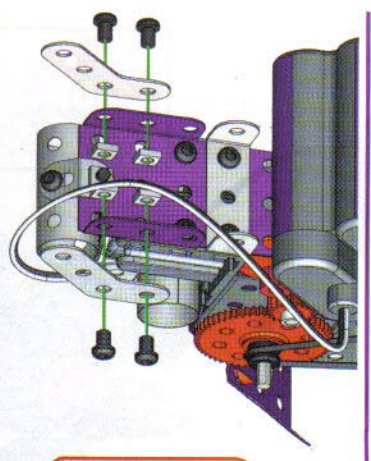
- x2
- x6
- x1
- x6





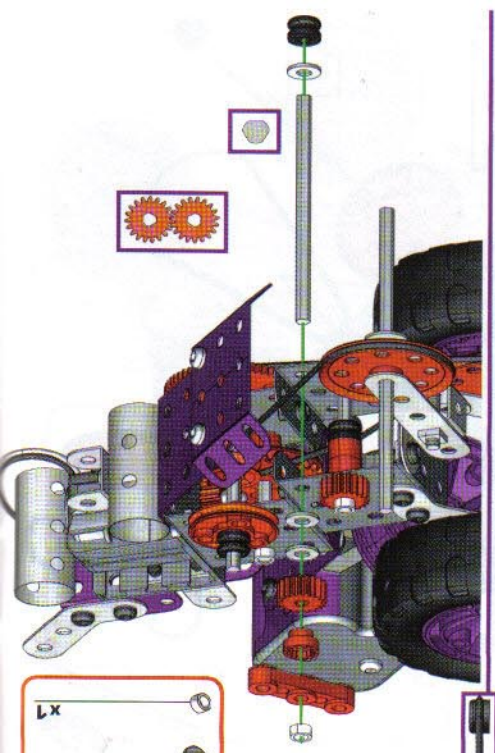
- x1 [Purple L-shaped plate]
- x1 [Purple cylindrical sleeve]
- x6 [5.8 mm 1/64 screw]
- x1 [Grey L-shaped plate]
- x6 [Grey pin]
- x1 [Grey ring]

6



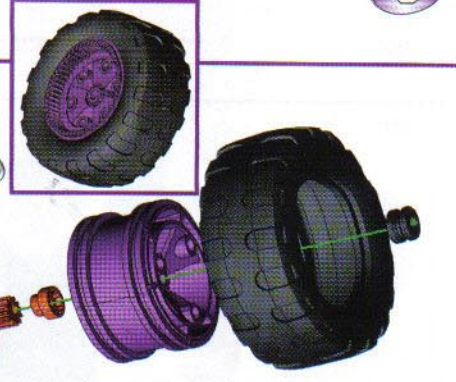
- x4 [5.8 mm 1/64 screw]
- x4 [Grey pin]
- x2 [Grey L-shaped plate]

10



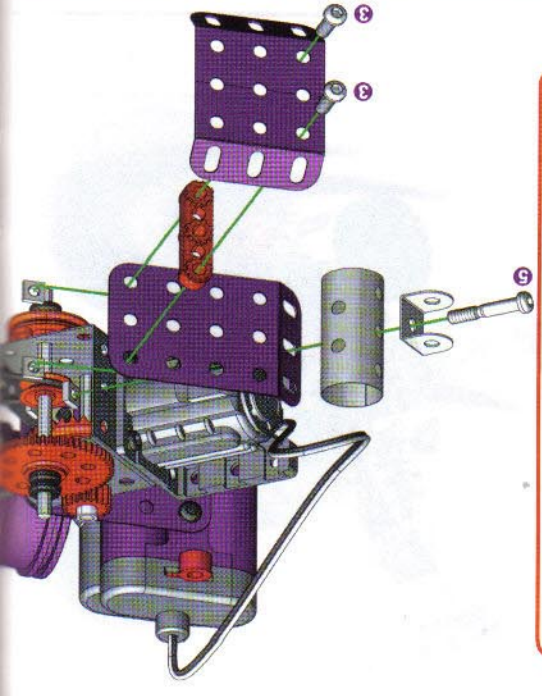
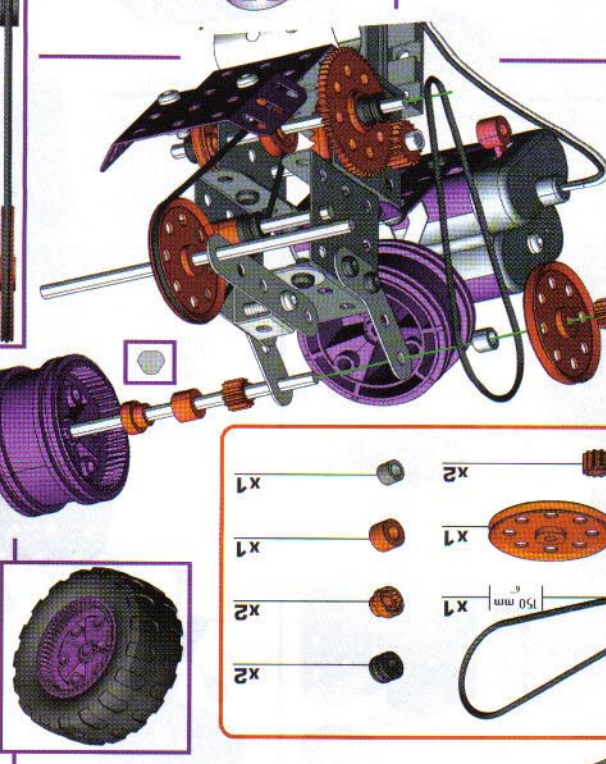
- x1 [Grey screw]
- x3 [Grey pin]
- x1 [Black bush]
- x1 [Orange gear]
- x1 [Orange gear]
- x1 [Orange gear]
- x1 [7.5 mm screw]

11



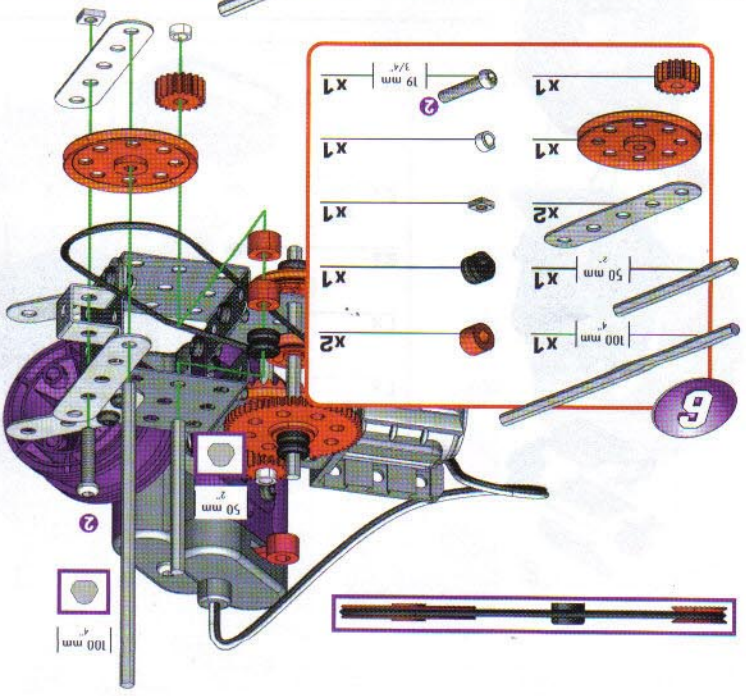
- x2 [Black tire]
- x2 [Purple wheel rim]
- x1 [130 mm 5 screw]
- x2 [Black bush]
- x1 [Orange gear]
- x1 [Orange gear]
- x2 [150 mm 6 screw]
- x1 [Orange gear]
- x2 [Black bush]

8



- x2 [12 mm 1/2 screw]
- x1 [23 mm 20/32 screw]
- x3 [Grey pin]
- x1 [Grey L-shaped plate]
- x1 [Orange gear]
- x1 [Purple cylindrical sleeve]
- x1 [Purple cylindrical sleeve]
- x1 [Purple L-shaped plate]
- x1 [Purple L-shaped plate]

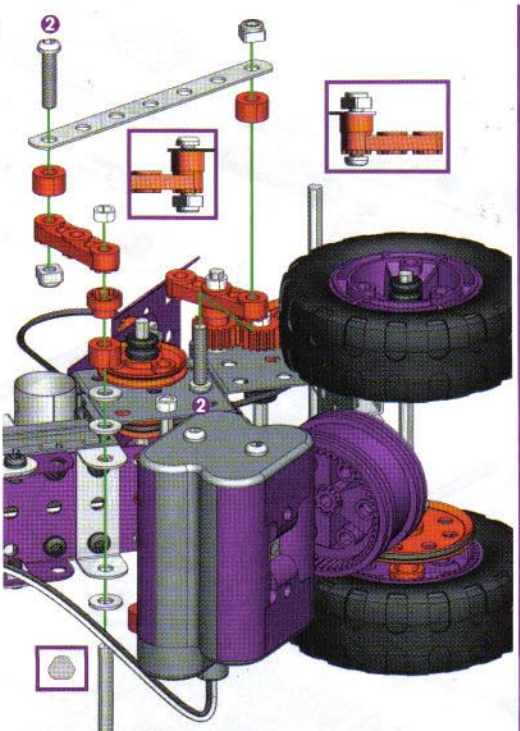
7



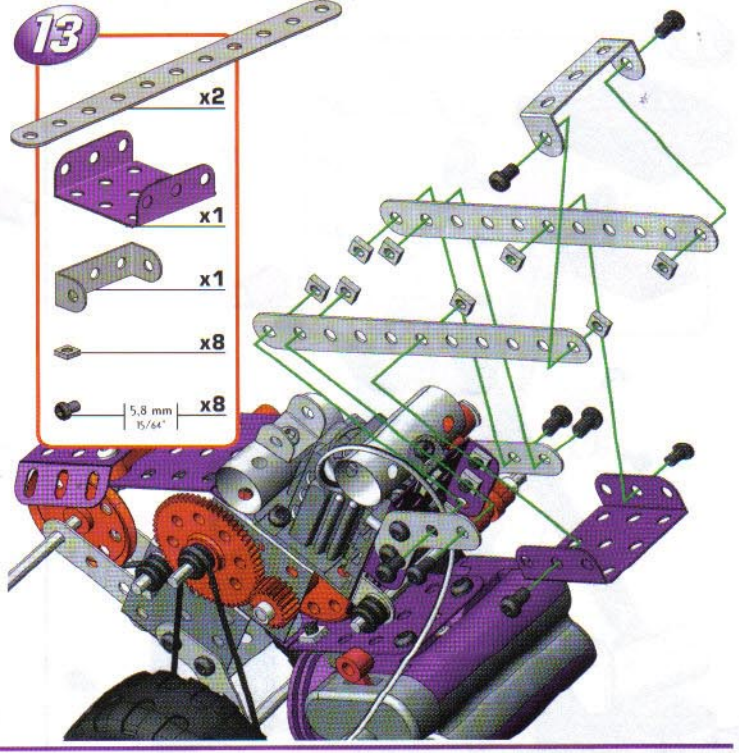
- x1 [Orange gear]
- x1 [Orange gear]
- x2 [Grey L-shaped plate]
- x1 [50 mm 5 screw]
- x1 [Black bush]
- x1 [100 mm 4 screw]
- x2 [Grey L-shaped plate]
- x1 [19 mm 3/4 screw]
- x1 [Grey pin]

9

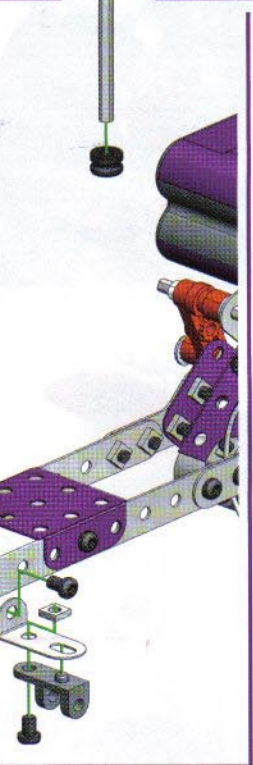
- 12**
- 1x1 Technic Beam (11 holes)
 - 1x1 Technic Pin (75 mm)
 - 1x1 Technic Bush (orange)
 - 1x1 Technic Pin (black)
 - 1x1 Technic Pin (black)
 - 1x3 Technic Pin (orange)
 - 1x3 Technic Pin (black)
 - 1x2 Technic Pin (black)
 - 1x1 Technic Pin (black)
 - 2x2 Technic Pin (19 mm / 3/4")



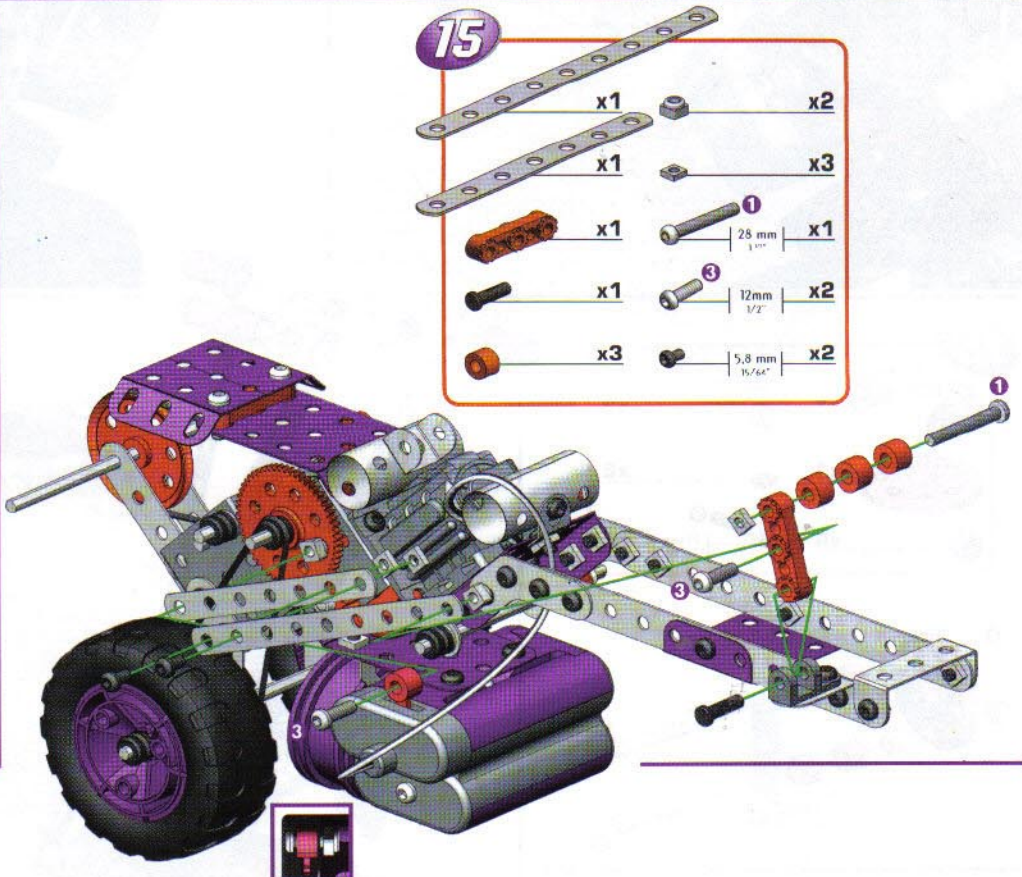
- 13**
- 2x2 Technic Beam (11 holes)
 - 1x1 Technic L-Bracket (purple)
 - 1x1 Technic L-Bracket (grey)
 - 8x8 Technic Pin (black)
 - 8x8 Technic Pin (5.8 mm / 15/64")



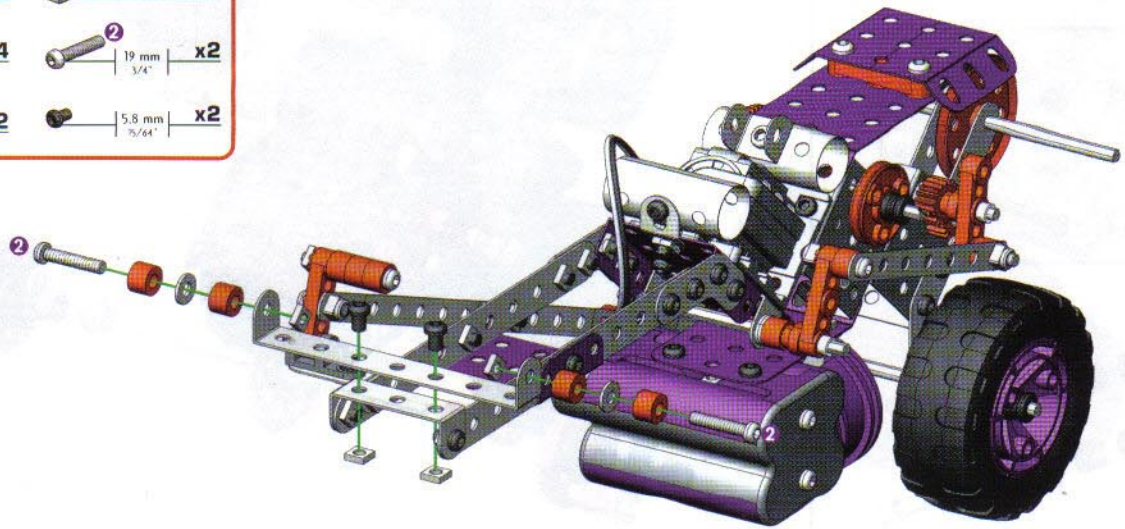
- 14**
- 1x1 Technic L-Bracket (grey)
 - 1x1 Technic L-Bracket (grey)
 - 2x2 Technic Pin (black)
 - 2x2 Technic Pin (5.8 mm / 15/64")



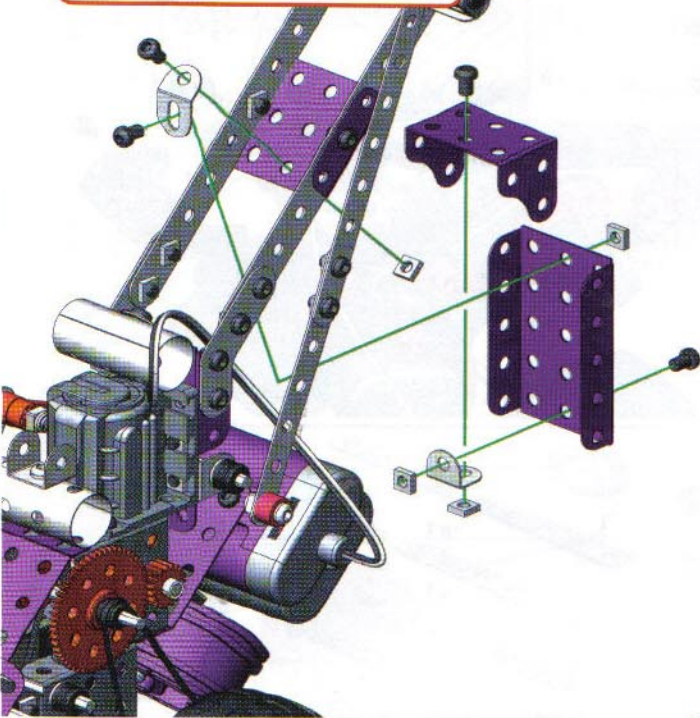
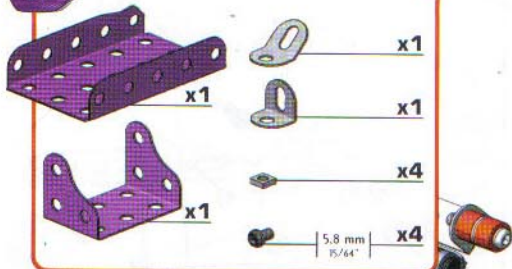
- 15**
- 1x1 Technic Beam (11 holes)
 - 1x1 Technic Beam (11 holes)
 - 1x1 Technic Bush (orange)
 - 1x1 Technic Pin (black)
 - 3x3 Technic Pin (black)
 - 2x2 Technic Pin (x2)
 - 1x1 Technic Pin (28 mm / 1")
 - 1x1 Technic Pin (12 mm / 1/2")
 - 3x3 Technic Pin (orange)
 - 2x2 Technic Pin (5.8 mm / 15/64")



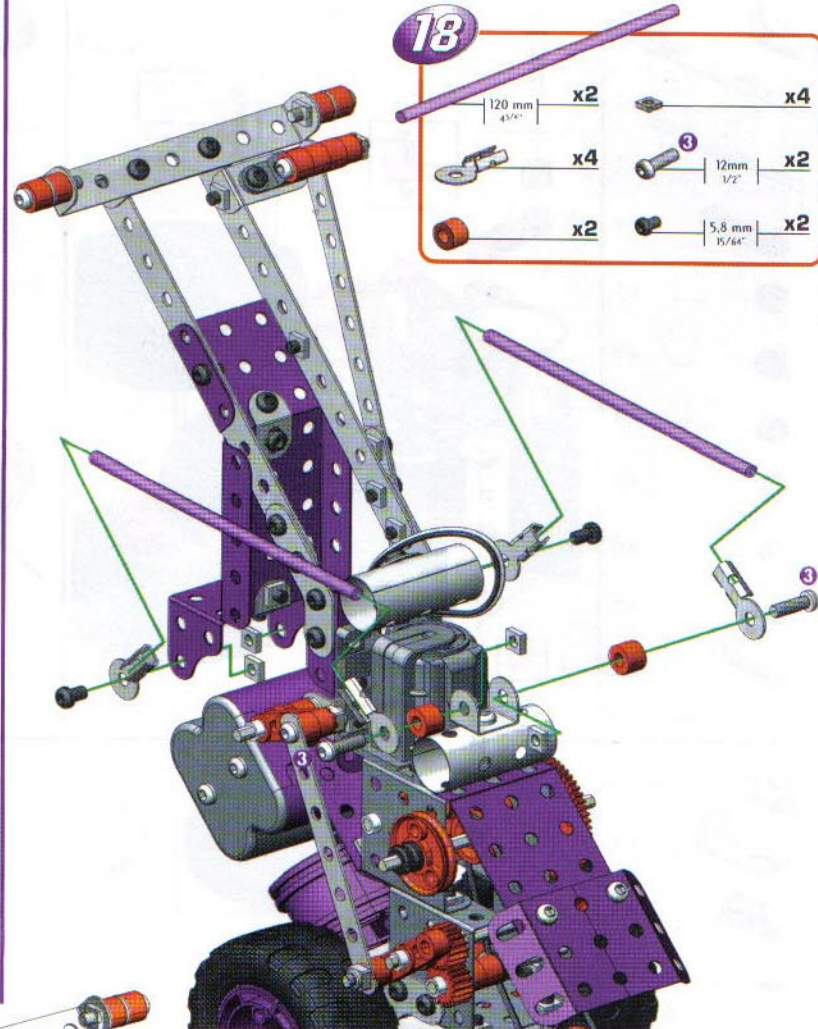
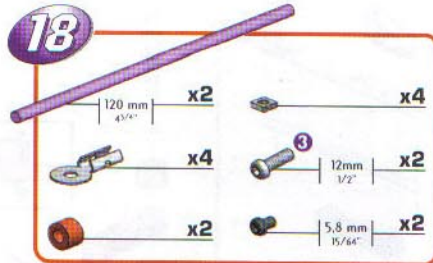
- 16**
- 1x1 Technic Beam (11 holes)
 - 4x4 Technic Pin (black)
 - 4x4 Technic Pin (orange)
 - 2x2 Technic Pin (19 mm / 3/4")
 - 2x2 Technic Pin (5.8 mm / 15/64")



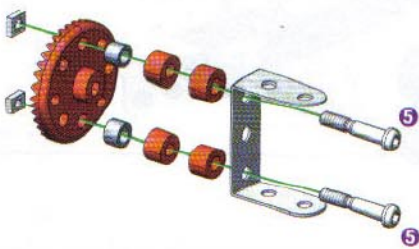
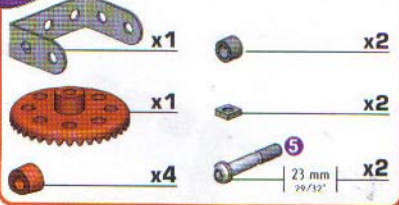
17



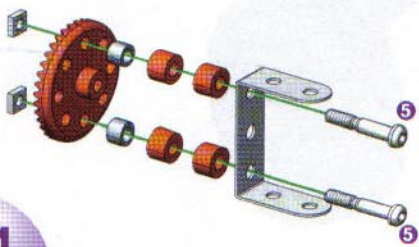
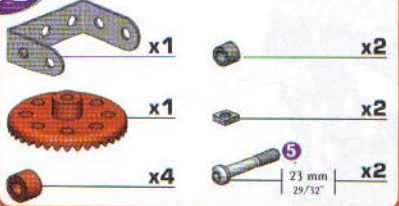
18



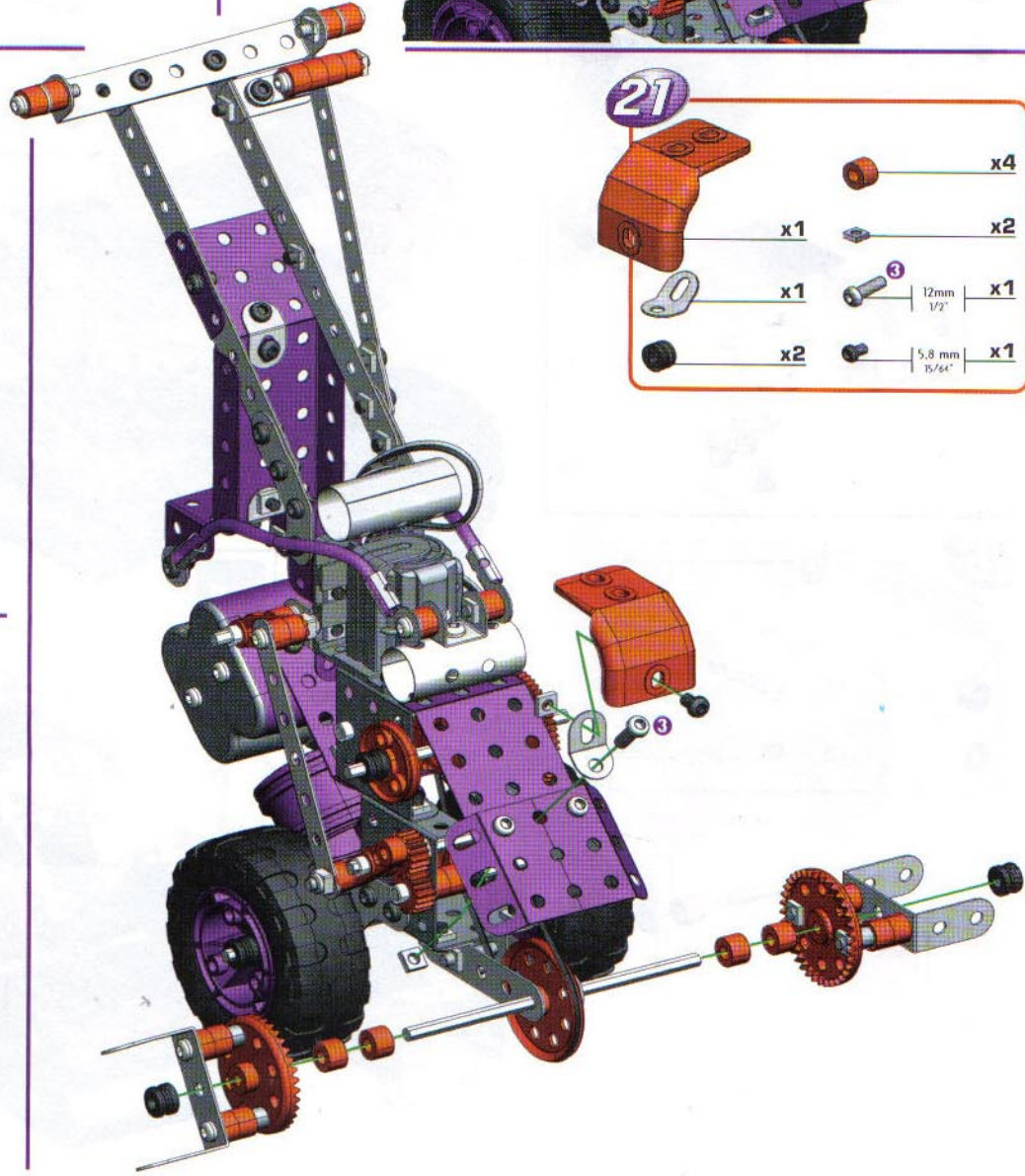
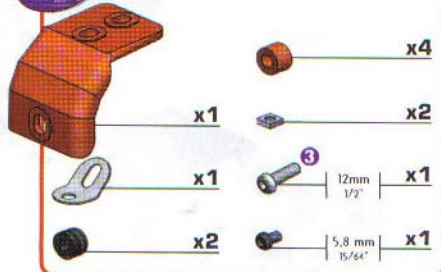
19








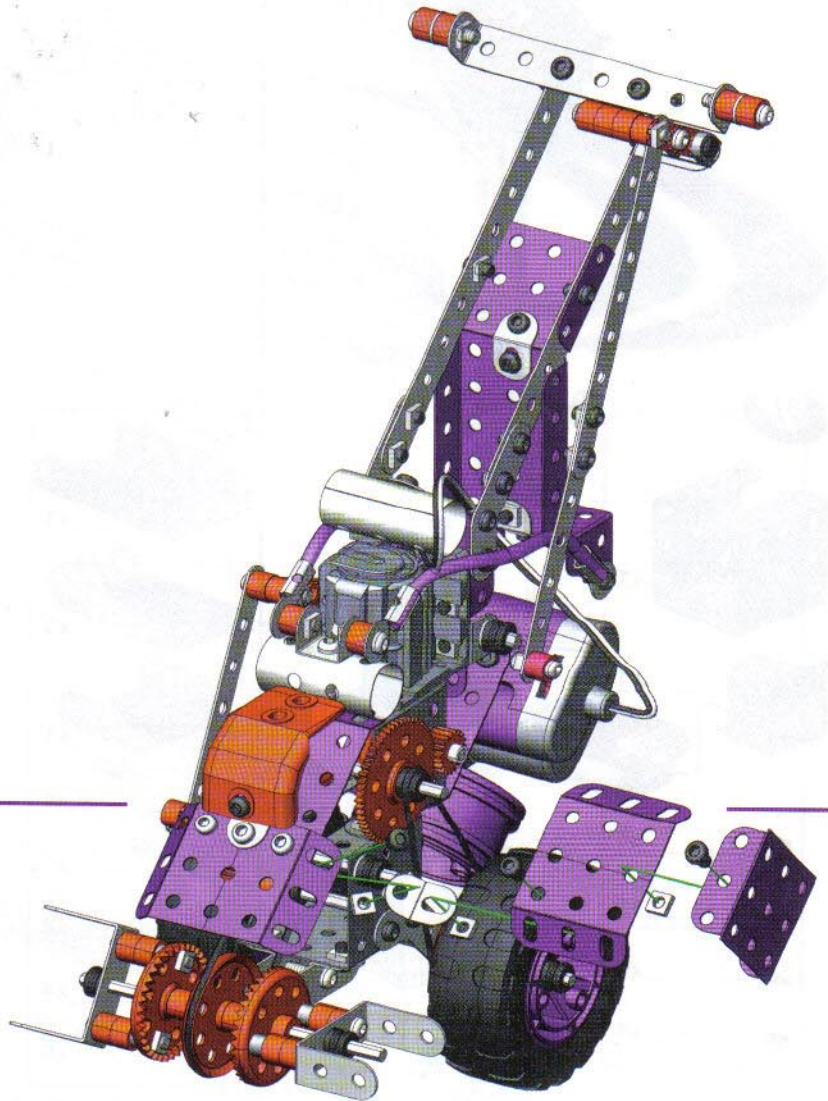
20








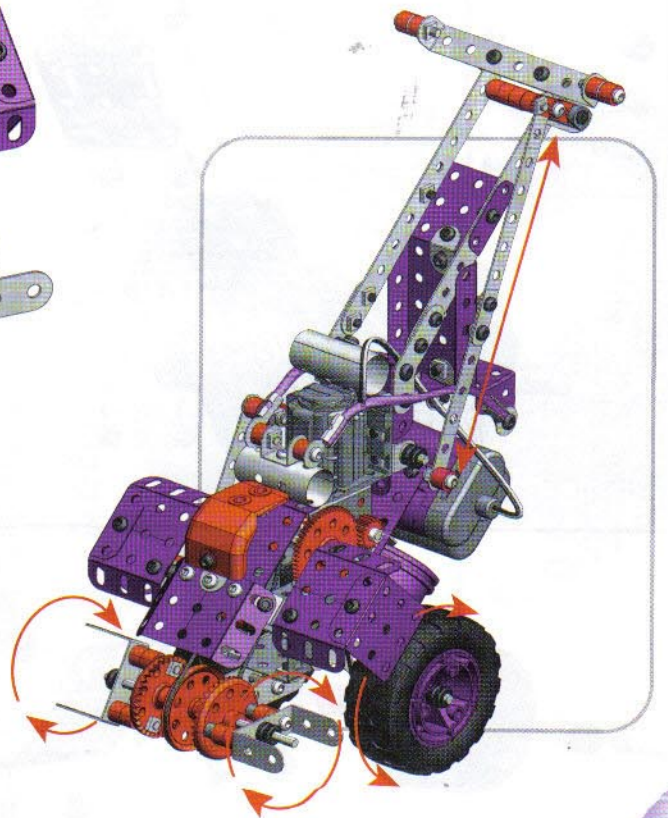
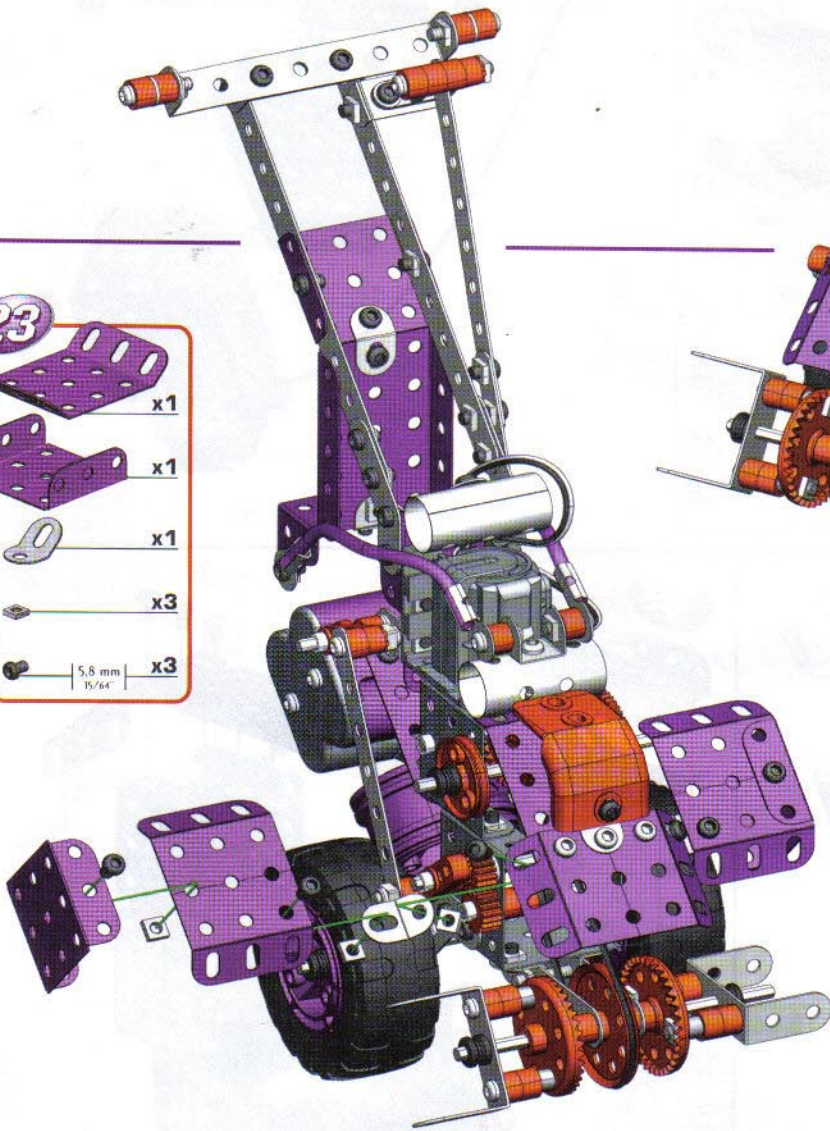
21

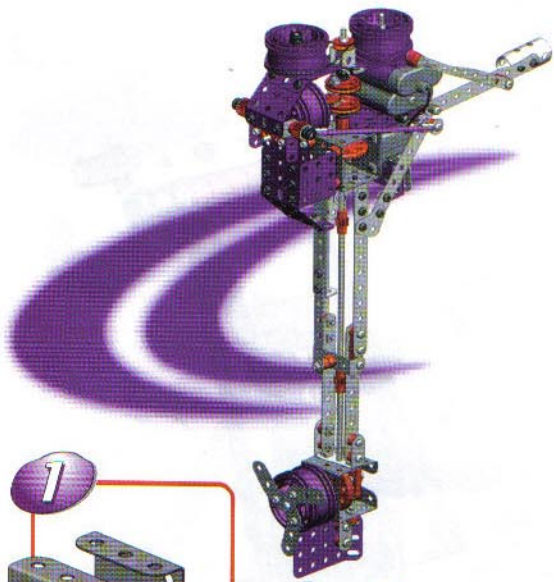


- 22**
-  x1
 -  x1
 -  x1
 -  x3
 -  5,8 mm | 15/64" | x3



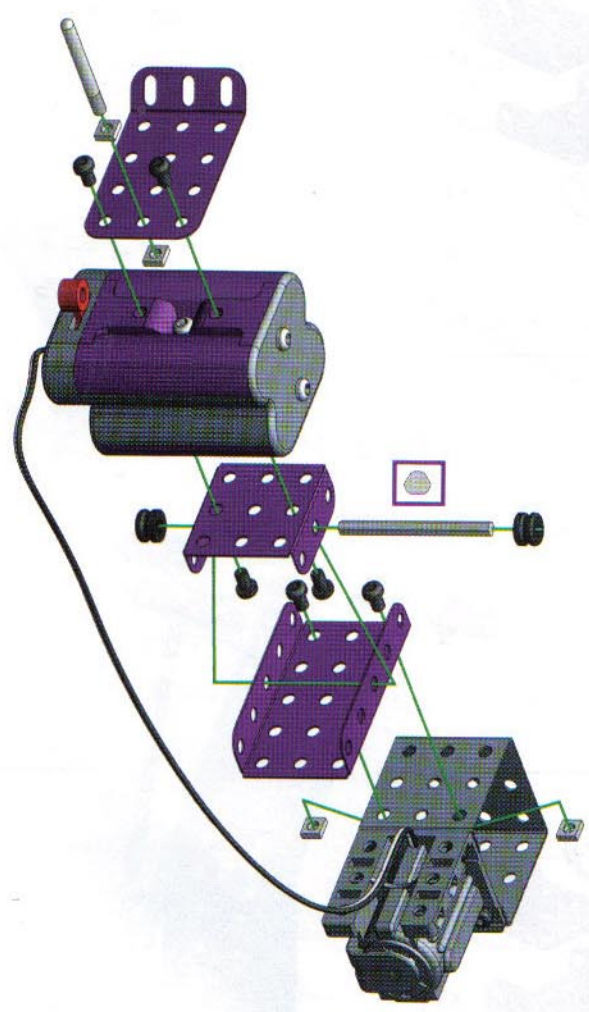
- 23**
-  x1
 -  x1
 -  x1
 -  x3
 -  5,8 mm | 15/64" | x3



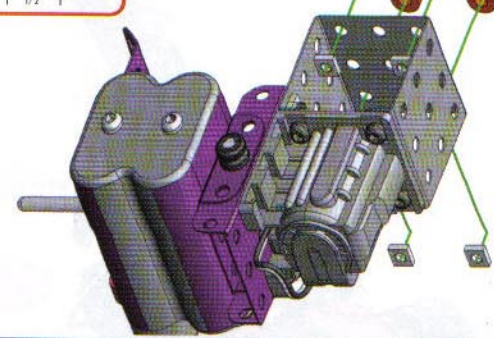
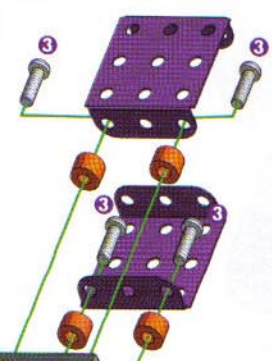


- 1**
- x1
 - x1
 - x1
 - x1
 - x4
 - x4

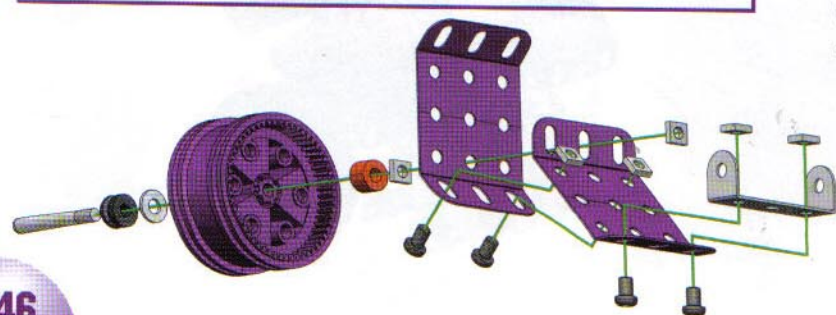
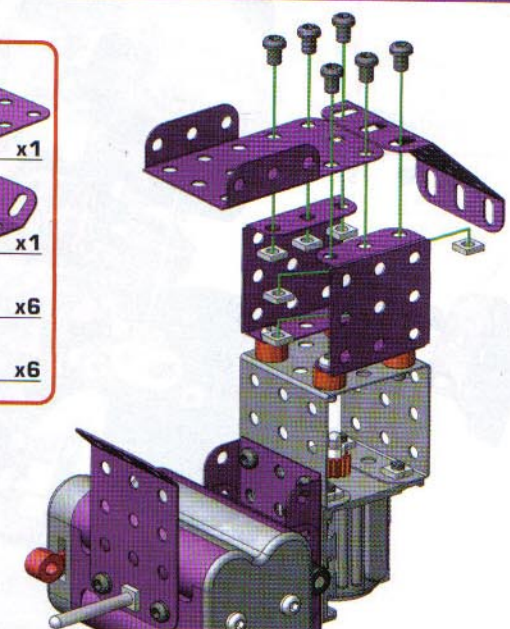
- 2**
- x1
 - x1
 - x1
 - x1
 - x1
 - x2
 - x4
 - x6



- 3**
- x2
 - x4
 - x4
 - x4



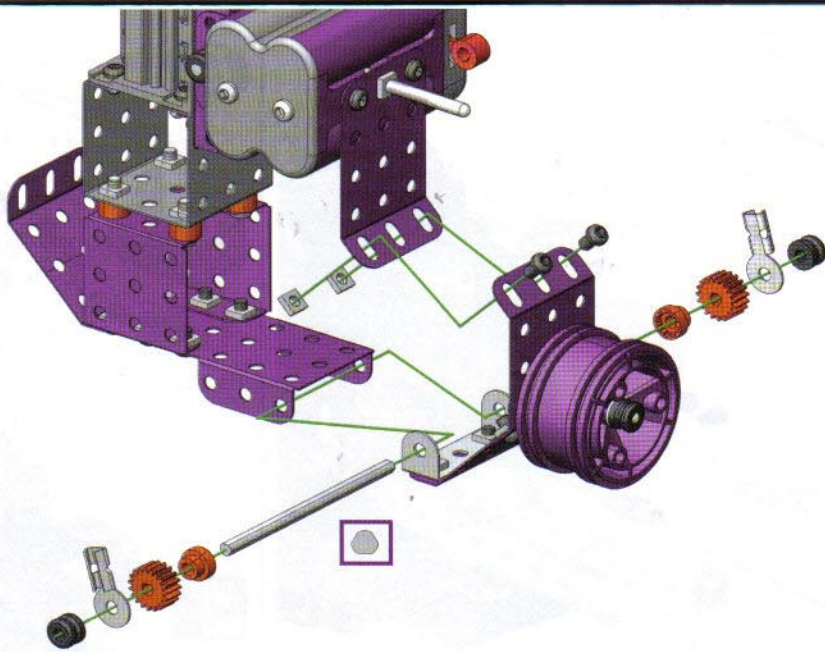
- 4**
- x1
 - x1
 - x6
 - x6



- 5**
- x2
 - x1
 - x1
 - x1
 - x1
 - x6
 - x1
 - x4

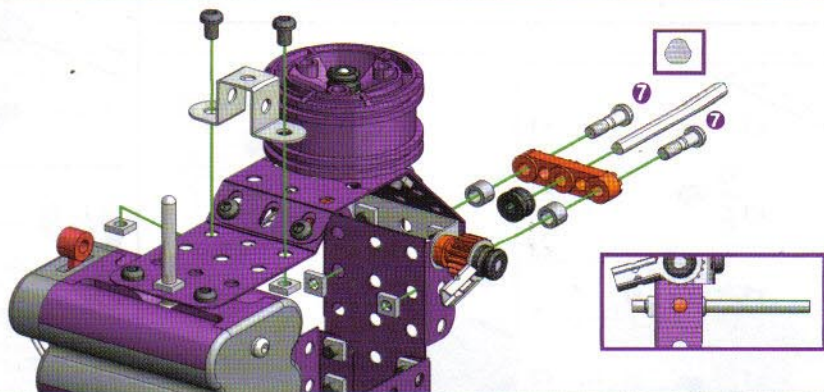
6

- 75 mm x1
- 5.8 mm 15/64 x2
- x2
- x2
- x2
- x2



7

- 50 mm x1
- 14.7 mm 9/16 x2
- x2
- x4
- x1
- 5.8 mm 15/64 x2
- x1
- x1



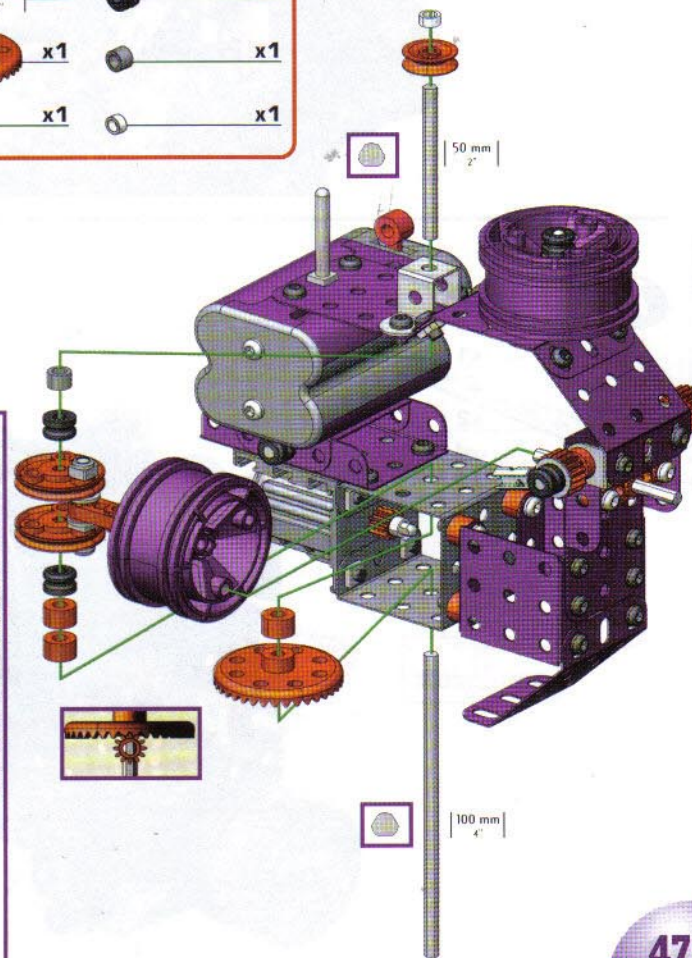
8

- x1
- x2
- x1
- x2
- x1
- 28 mm 1 1/4 x1
- 9.5 mm 3/8 x1
- x1
- x2
- x1
- x1



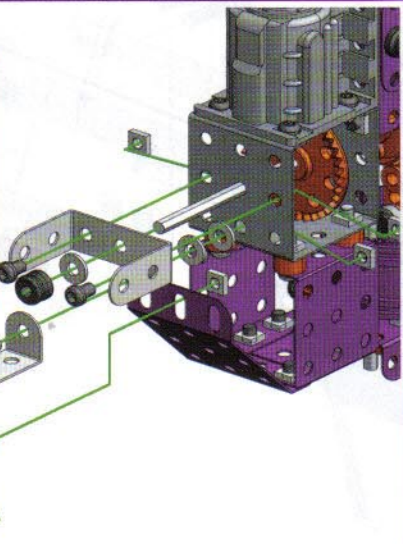
9

- 100 mm x1
- 50 mm x1
- x3
- x2
- x1
- x1
- x1

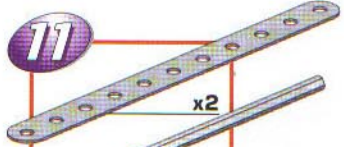
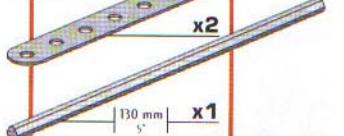
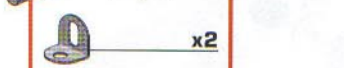
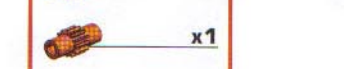

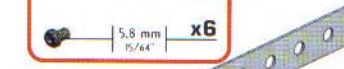


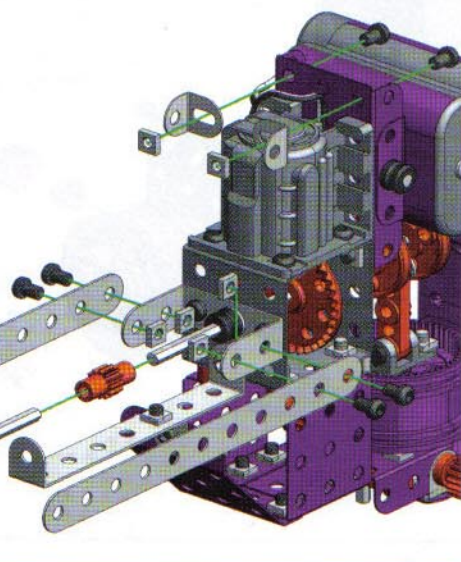
10

- x1
- x3
- x1
- x5
- x1
- 9.5 mm 3/8 x1
- x1
- x1
- 5.8 mm 15/64 x4


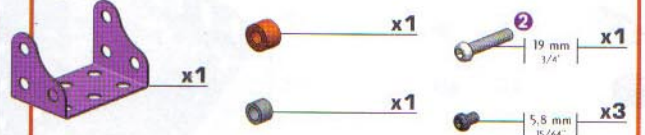




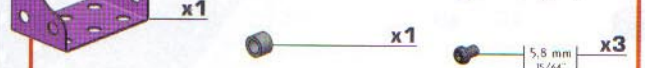






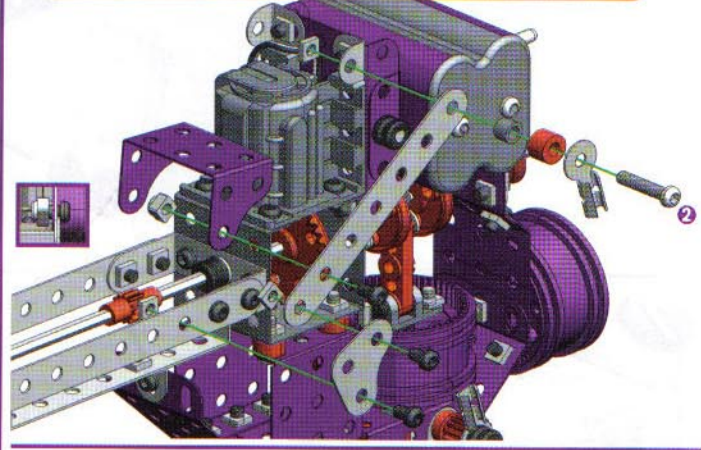
11

-  x2
-  130 mm | 5" | x1
-  x2
-  x1
-  x6
-  5,8 mm | 15/64" | x6




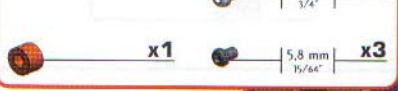







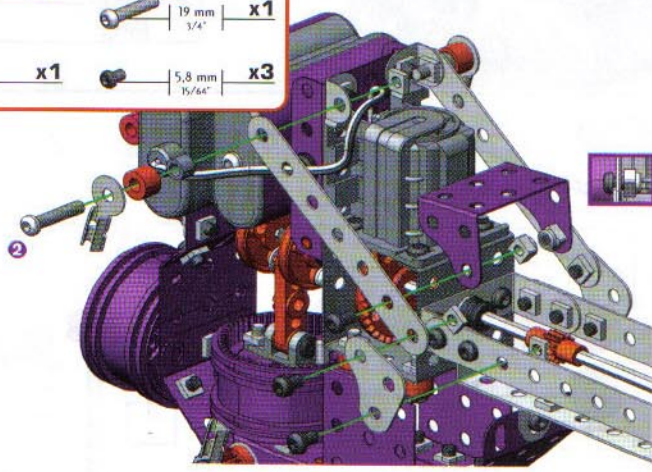
12

-  x1
-  x1
-  x1
-  x1
-  x1
-  x1
-  x1
-  5,8 mm | 15/64" | x3
-  x1
-  19 mm | 3/4" | x1
-  x3



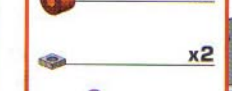
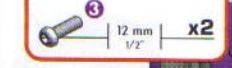
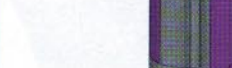


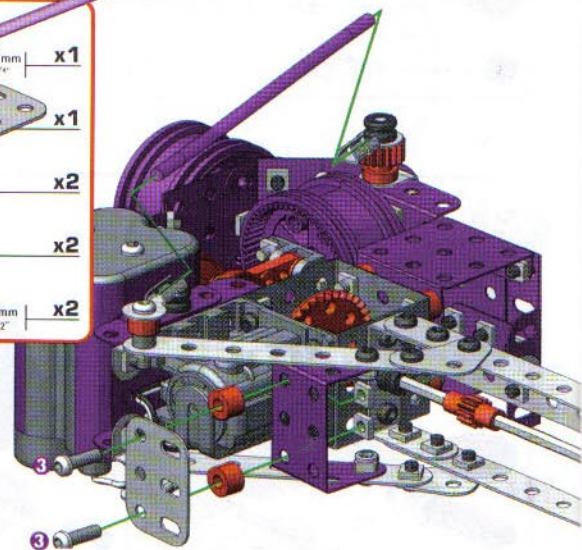
13

-  x1
-  x1
-  x1
-  x1
-  x1
-  x1
-  x3
-  19 mm | 3/4" | x1
-  5,8 mm | 15/64" | x3

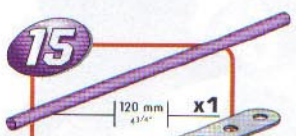

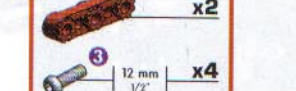
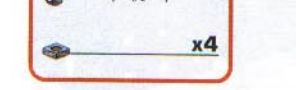



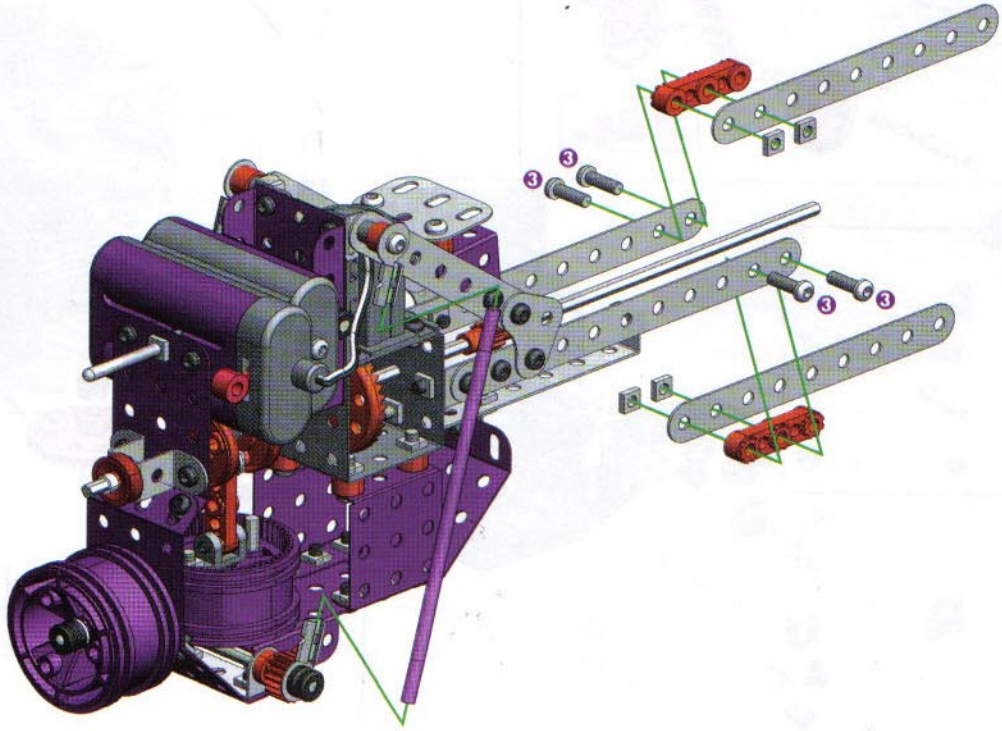
14

-  120 mm | 4 3/4" | x1
-  x1
-  x2
-  x2
-  12 mm | 1/2" | x2

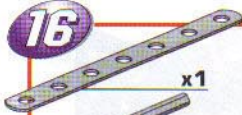
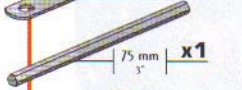
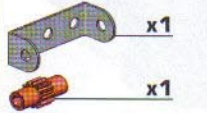




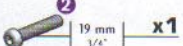
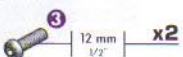
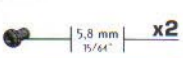


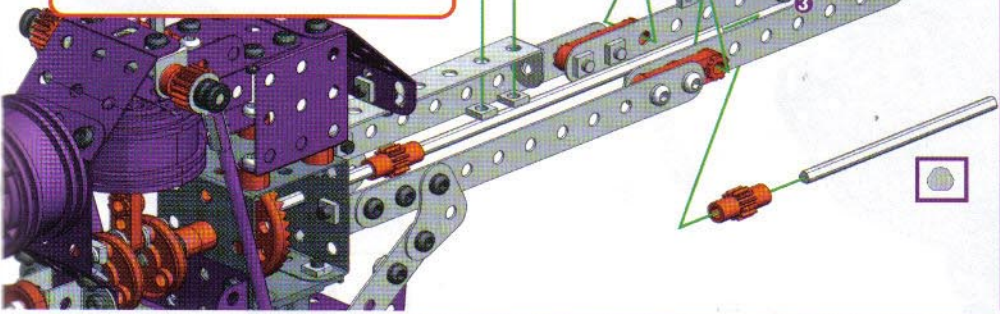
15

-  120 mm | 4 3/4" | x1
-  x2
-  x2
-  12 mm | 1/2" | x4
-  x4





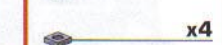
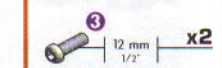
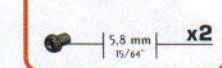


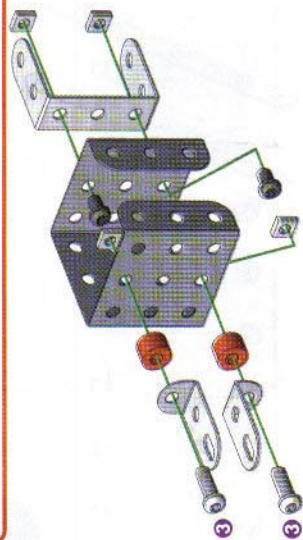
16

-  x1
-  x1
-  x1
-  x1
-  x2
-  x1
-  x5
-  x1
-  x2
-  x2





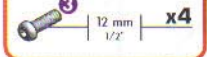


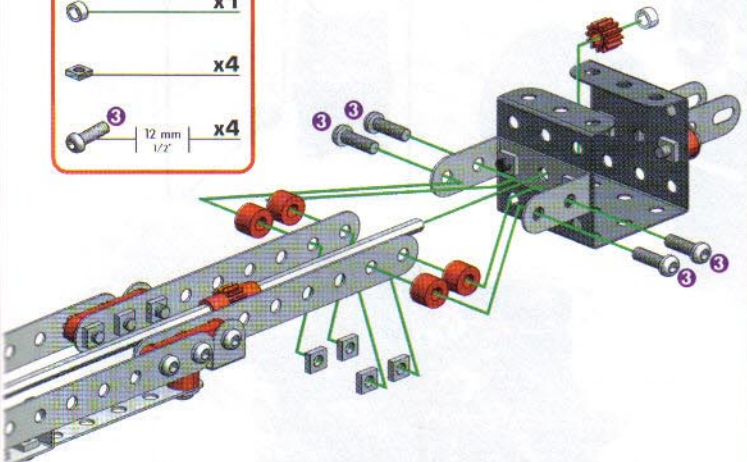
17

-  x1
-  x1
-  x2
-  x2
-  x4
-  x2
-  x2





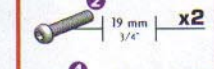
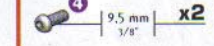


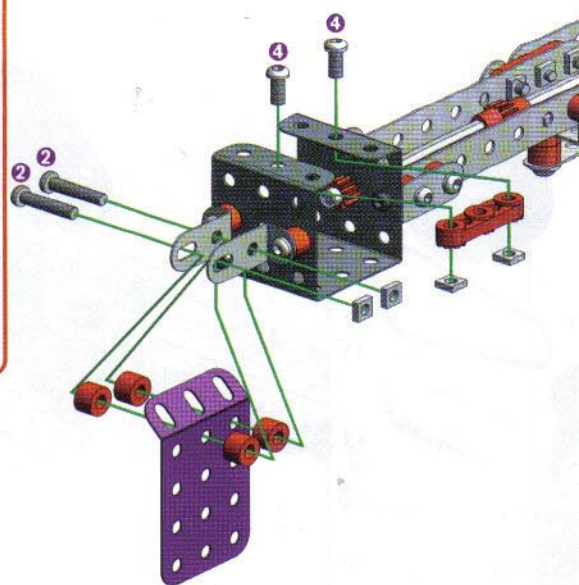
18

-  x4
-  x1
-  x1
-  x4
-  x4

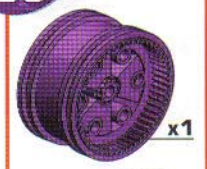






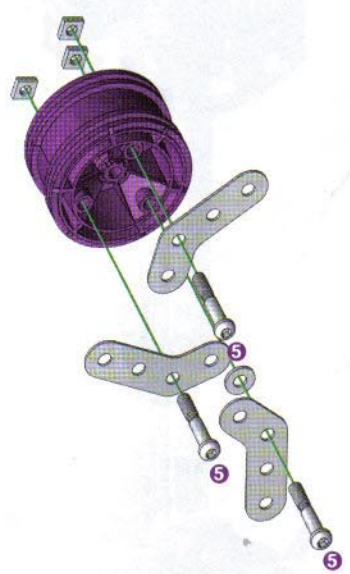
19

-  x1
-  x1
-  x4
-  x4
-  x2
-  x2

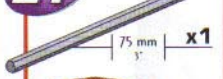






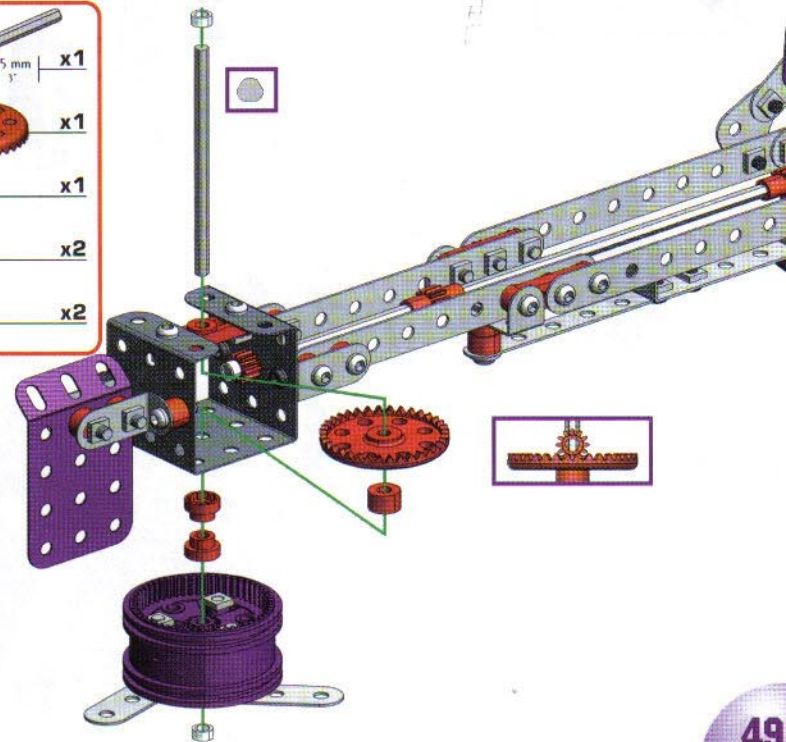
20

-  x1
-  x3
-  x1
-  x3
-  x3




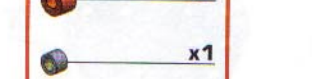
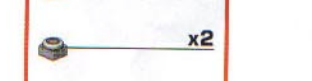
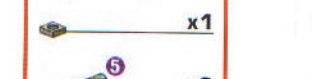
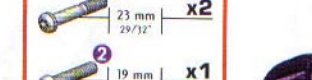
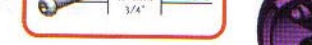



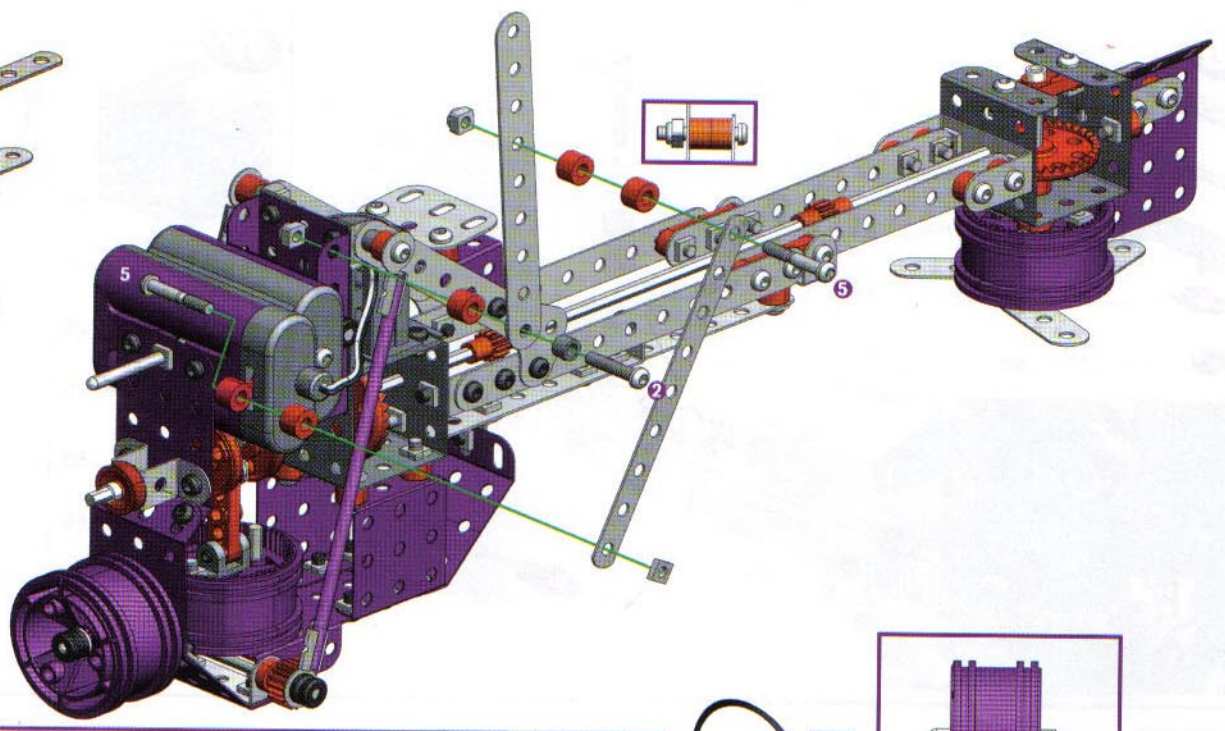
21

-  x1
-  x1
-  x1
-  x2
-  x2






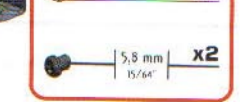


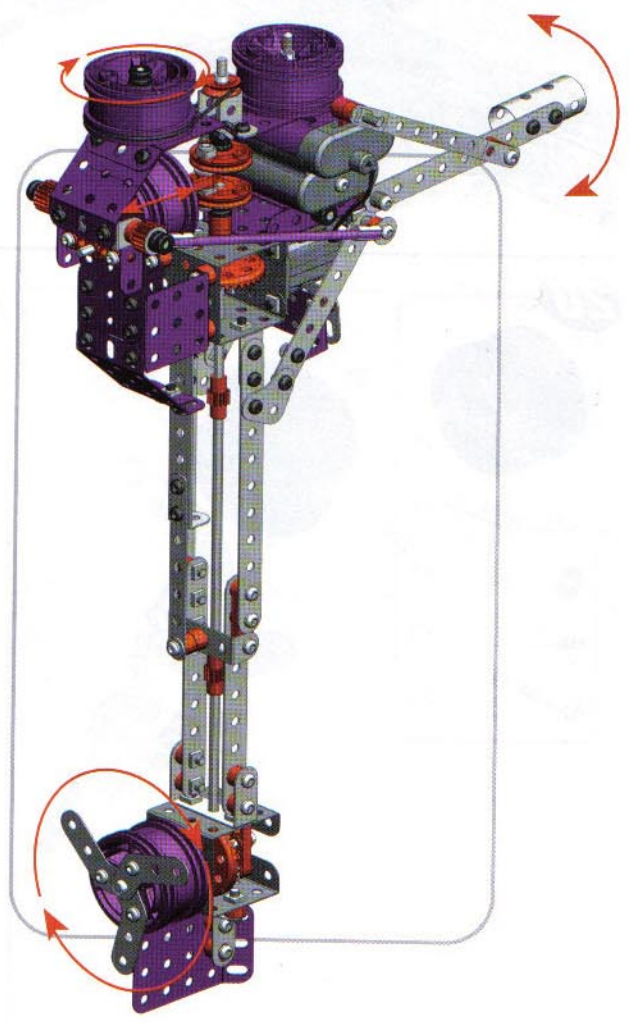
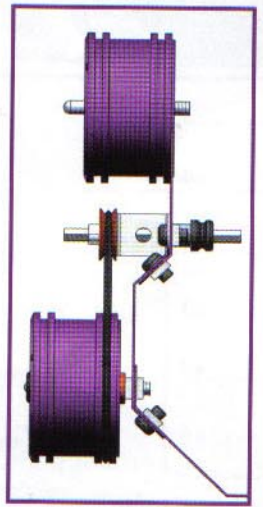
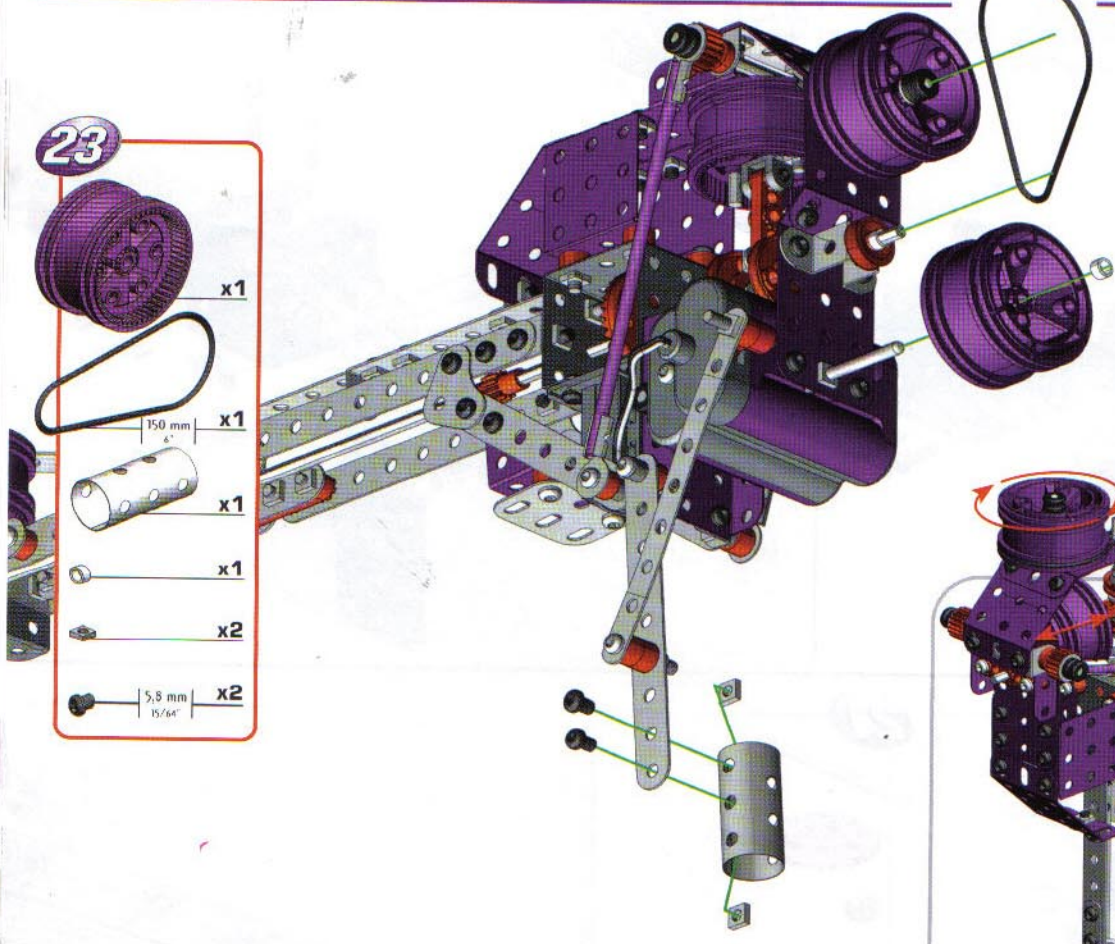
22

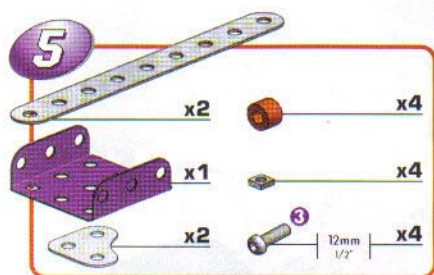
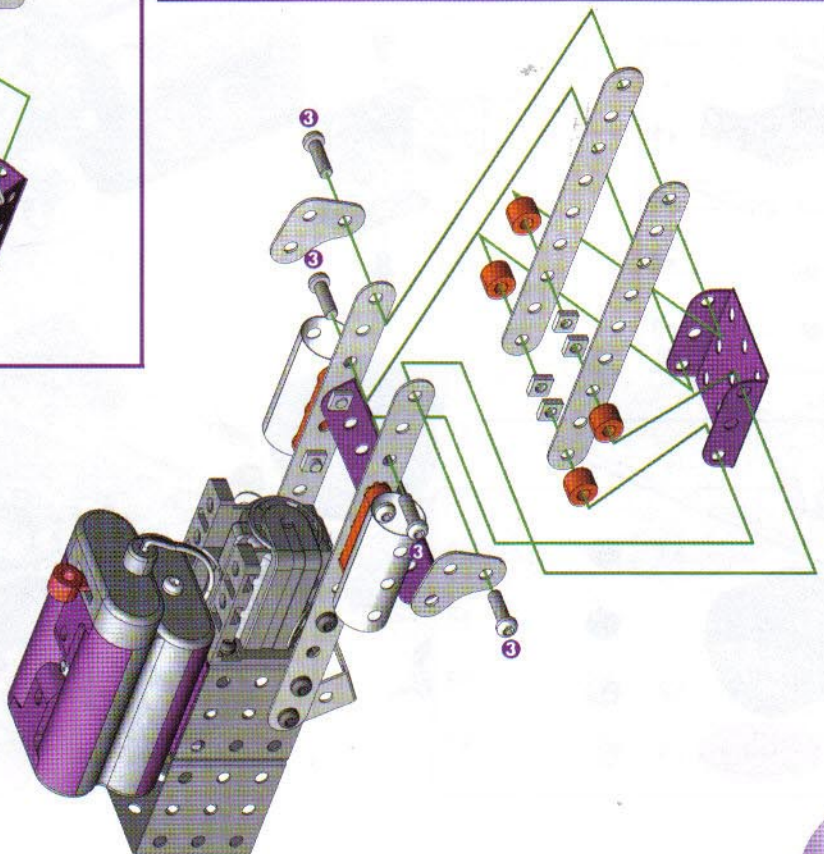
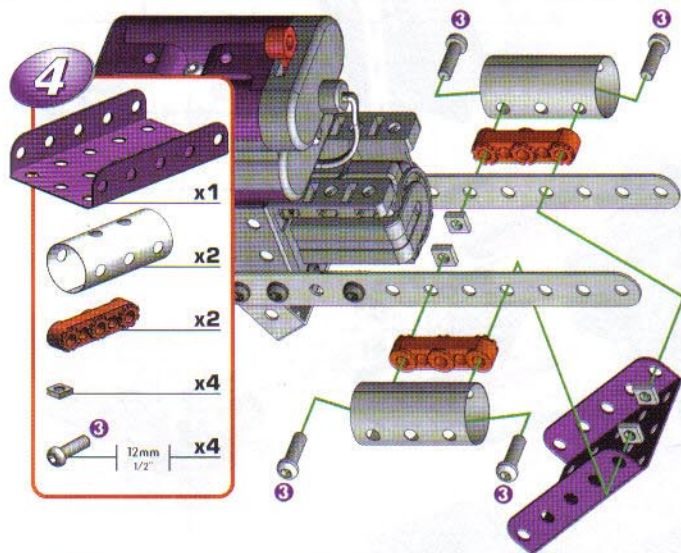
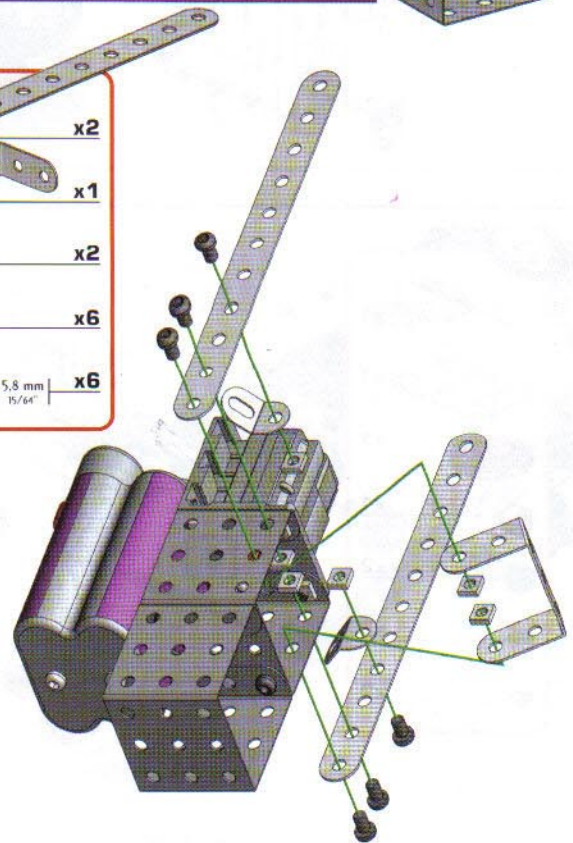
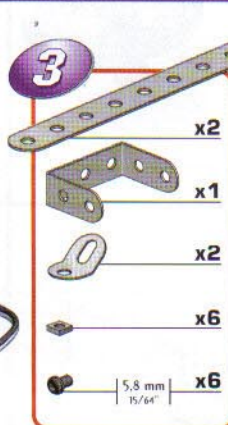
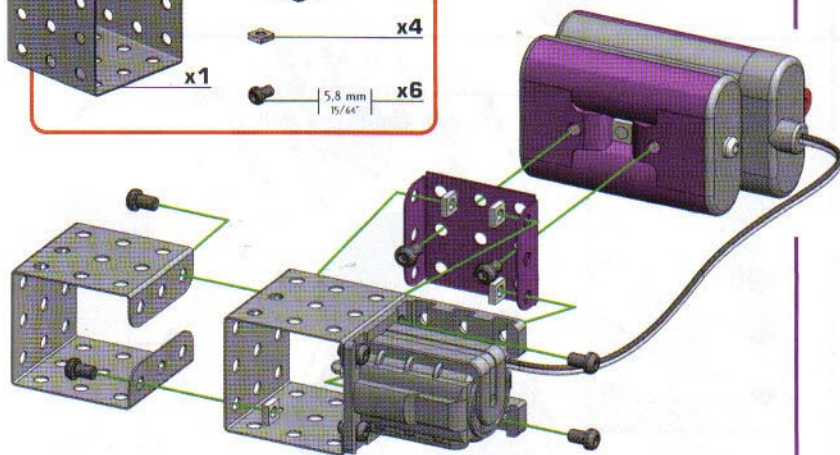
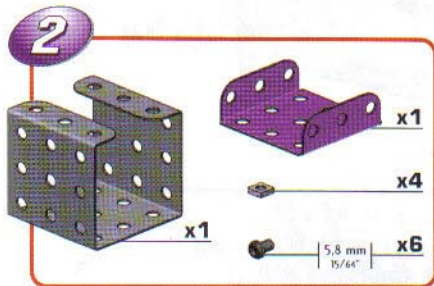
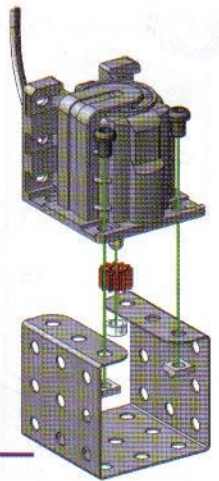
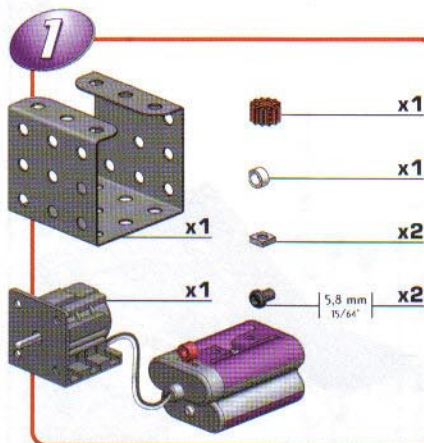
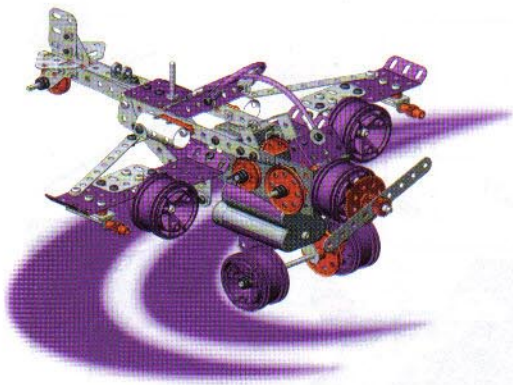
-  x1
-  x1
-  x4
-  x1
-  x2
-  x1
-  x1
-  x2
-  x1



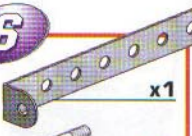
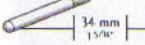


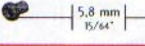
23

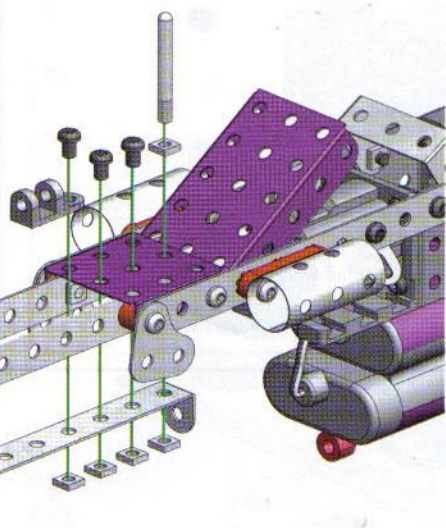
-  x1
-  x1
-  x1
-  x1
-  x2
-  x2











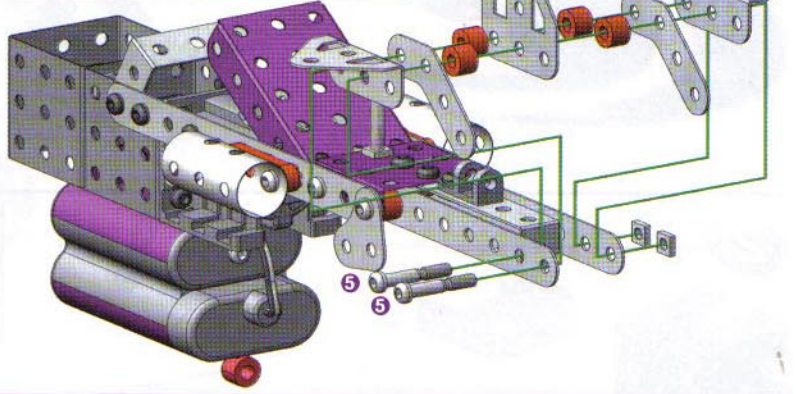
6

-  x1
-  34 mm | 1 3/8" | x1
-  x1
-  x5
-  5.8 mm | 15/64" | x3






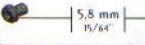



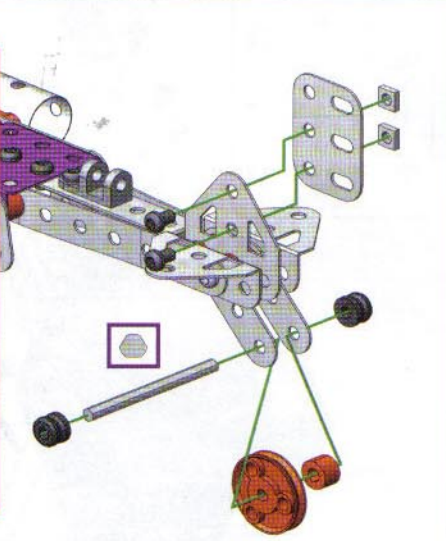
7

-  x2
-  x1
-  x2
-  x4
-  x2
-  23 mm | 29/32" | x2





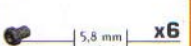


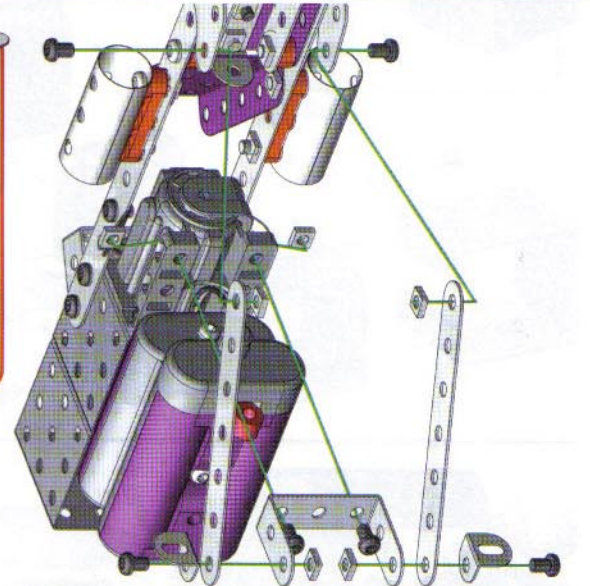
8

-  50 mm | 2" | x1
-  x1
-  x1
-  x1
-  x2
-  x2
-  x2
-  5.8 mm | 15/64" | x2







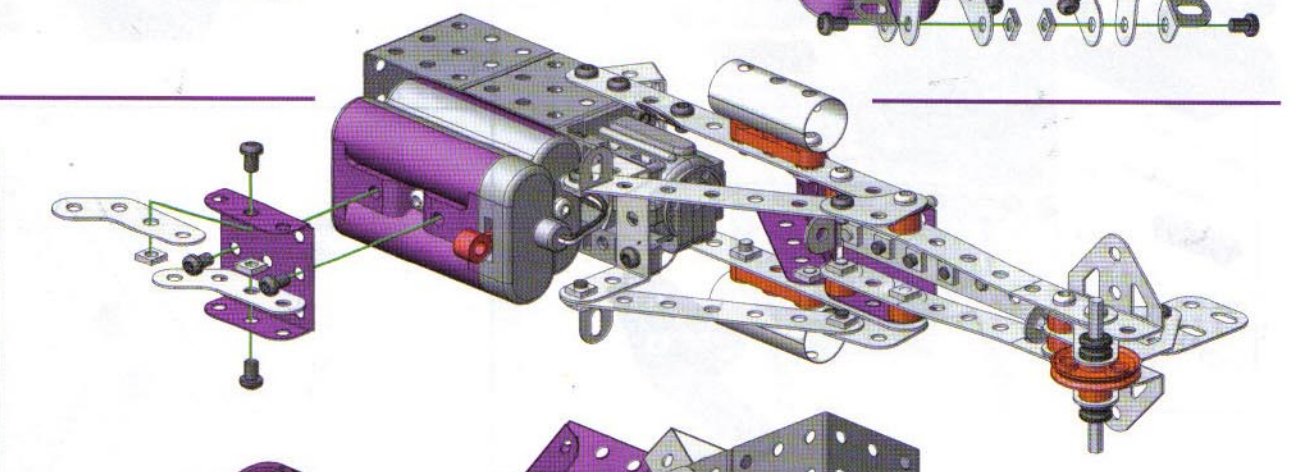
9

-  x2
-  x1
-  x2
-  x6
-  5.8 mm | 15/64" | x6










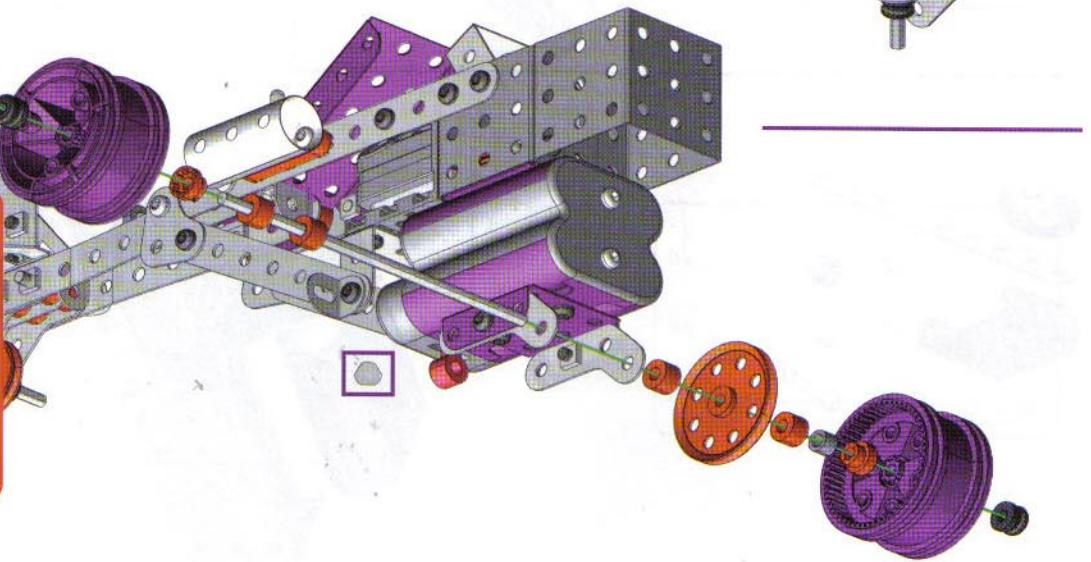
10

-  x1
-  x2
-  x2
-  5.8 mm | 15/64" | x4


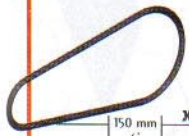








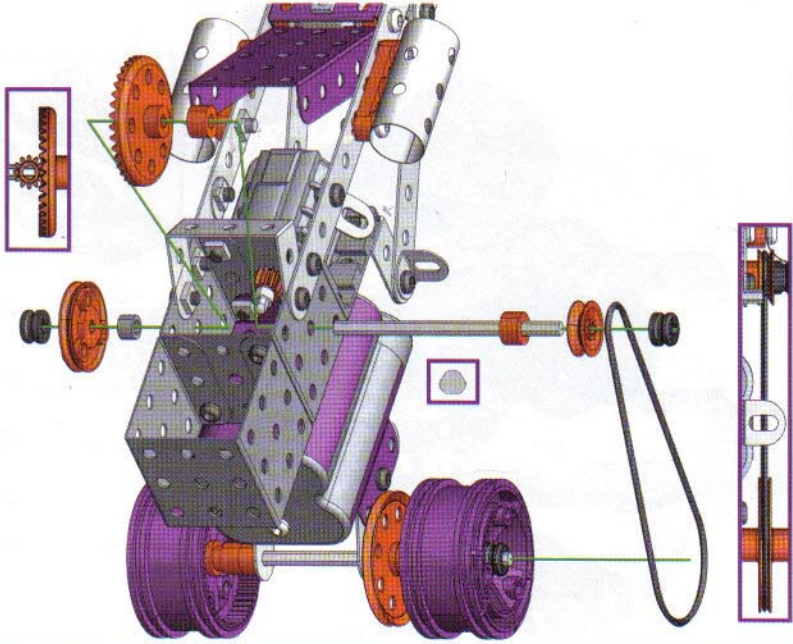
11

-  130 mm | 5" | x1
-  x2
-  x2
-  x4
-  x1
-  x2
-  x1

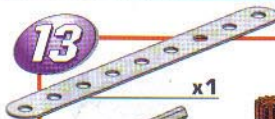









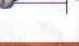
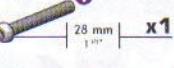


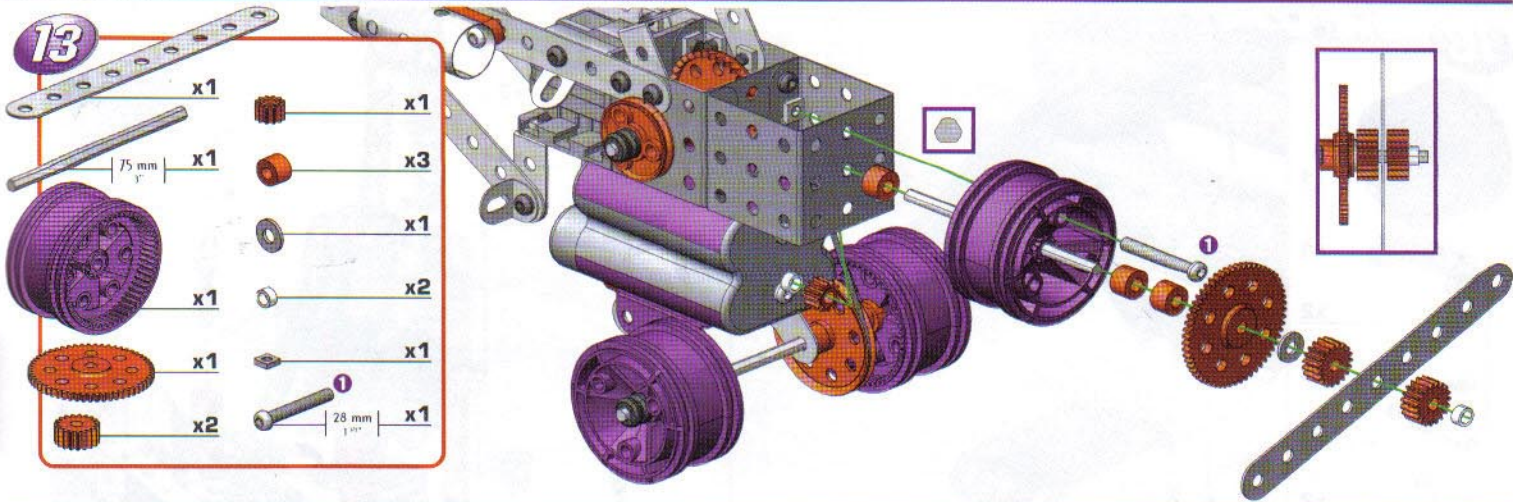
12

-  75 mm $\frac{3}{4}$ " x1
-  150 mm 6" x1
-  x1
-  x1
-  x1
-  x2
-  x2
-  x1

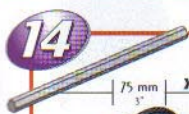









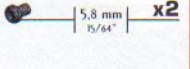


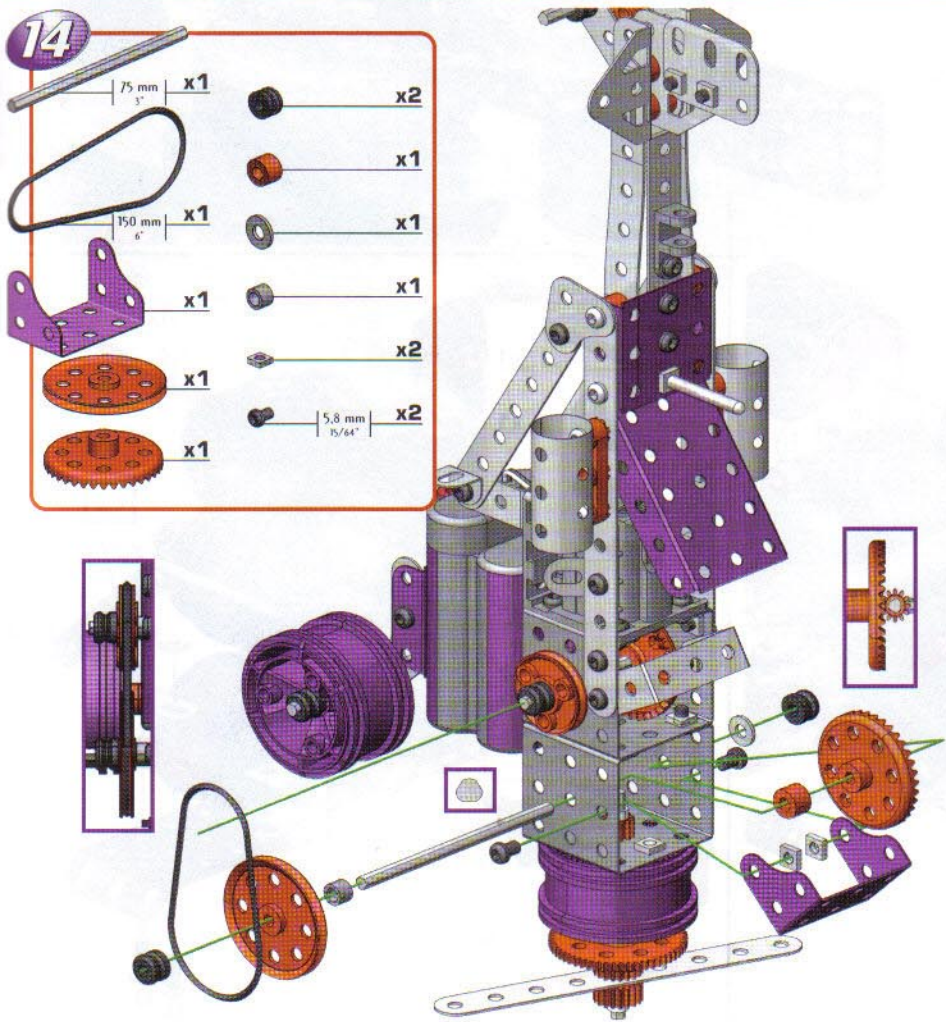
13

-  x1
-  75 mm $\frac{3}{4}$ " x1
-  x1
-  x1
-  x2
-  x1
-  x3
-  x1
-  x2
-  x1
-  x1
-  28 mm $1\frac{1}{4}$ " x1


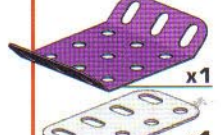
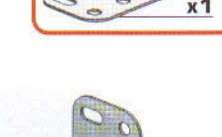


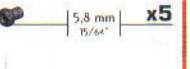


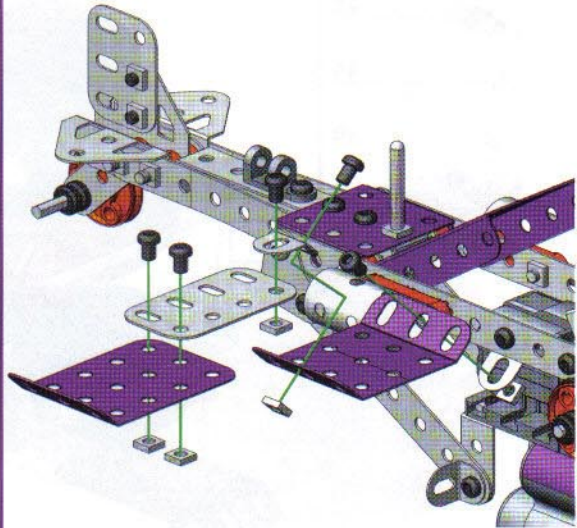
14

-  75 mm $\frac{3}{4}$ " x1
-  150 mm 6" x1
-  x1
-  x1
-  x1
-  x2
-  x1
-  x1
-  x1
-  x2
-  5.8 mm $\frac{15}{64}$ " x2

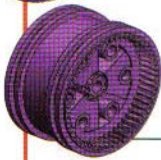







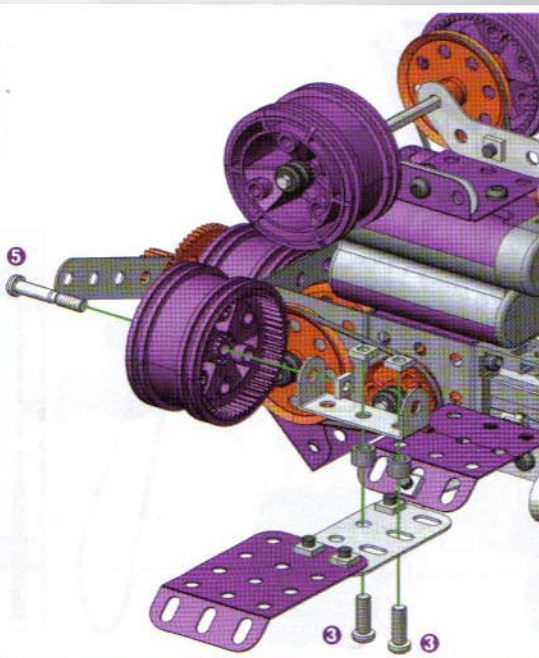
15

-  x1
-  x1
-  x1
-  x1
-  x5
-  5.8 mm $\frac{15}{64}$ " x5






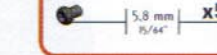


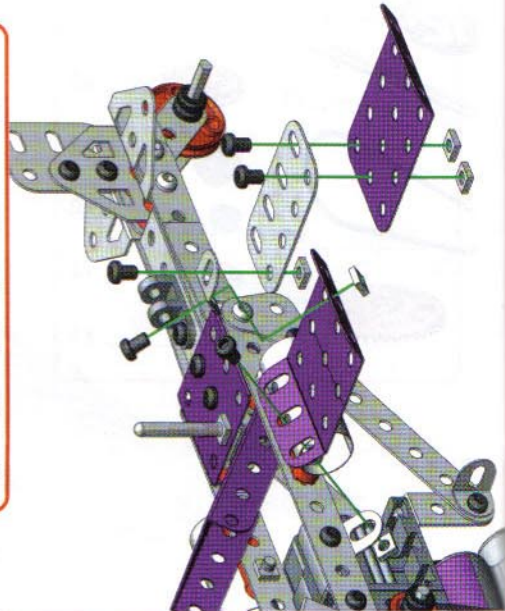
16

-  x1
-  x1
-  x2
-  x3
-  x1
-  x2









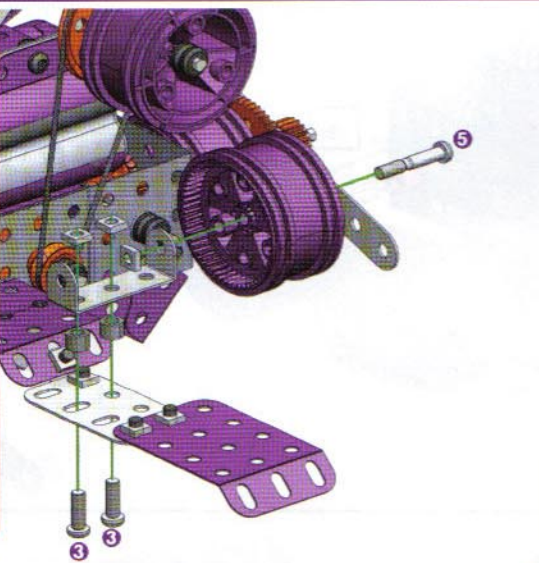
17

-  x1
-  x1
-  x1
-  x1
-  x5
-  x5





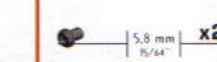



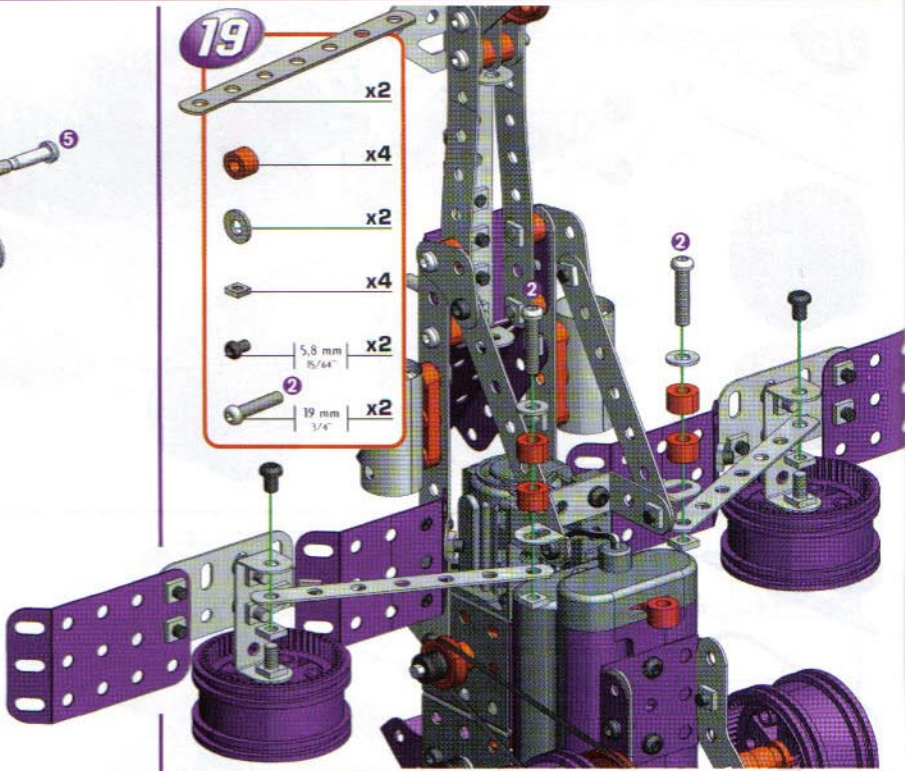
18

-  x1
-  x1
-  x2
-  x3
-  x1
-  x2










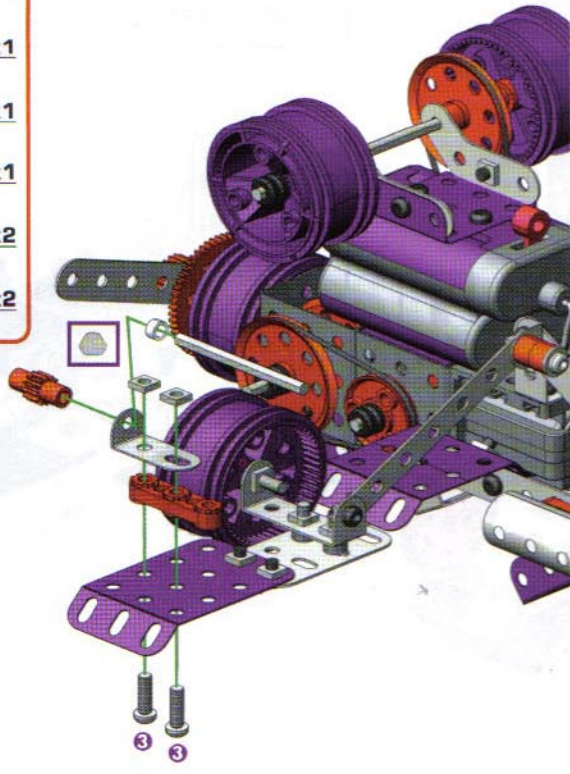
19

-  x2
-  x4
-  x2
-  x4
-  x2
-  x2






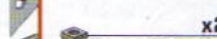
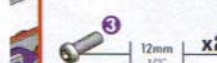


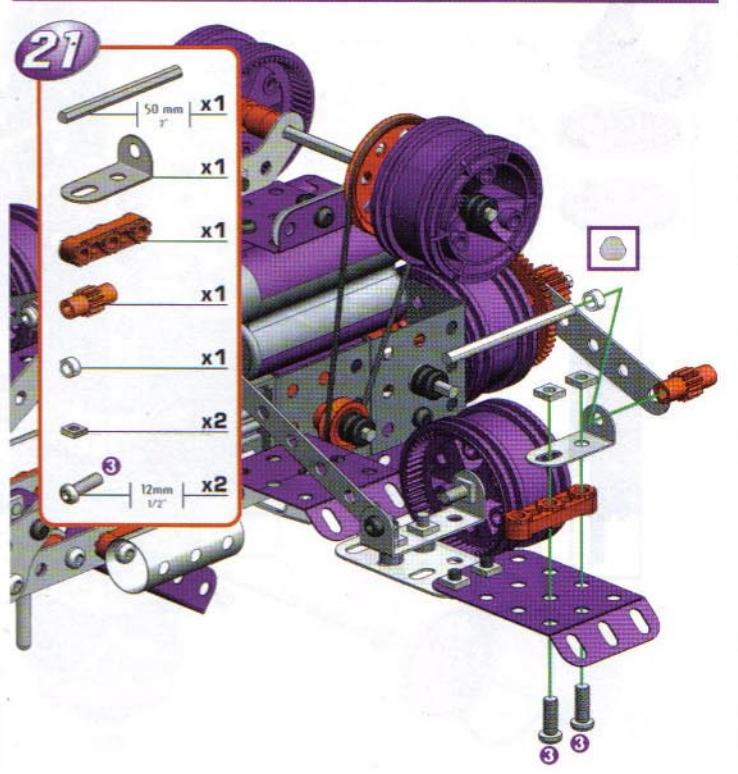
20

-  x1
-  x1
-  x1
-  x1
-  x1
-  x2
-  x2

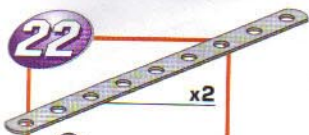



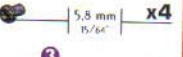
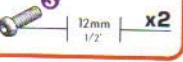


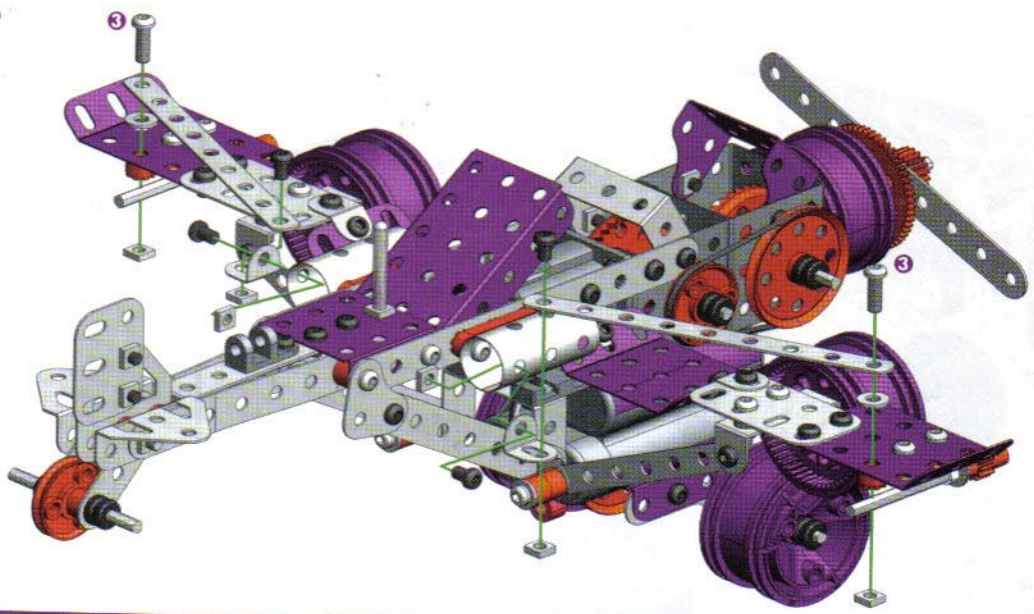
21




-  x1
-  x1
-  x1
-  x1
-  x1
-  x2
-  x2

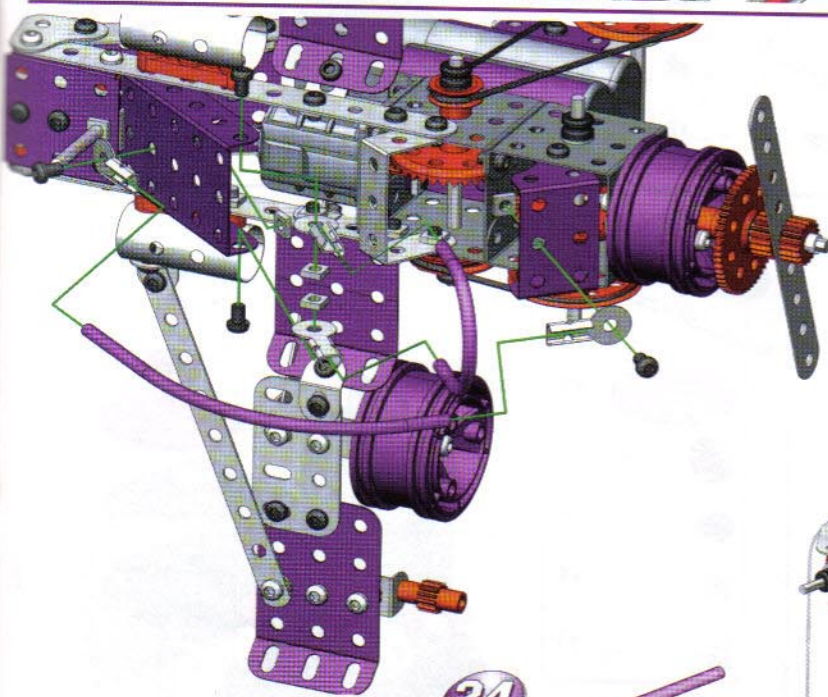
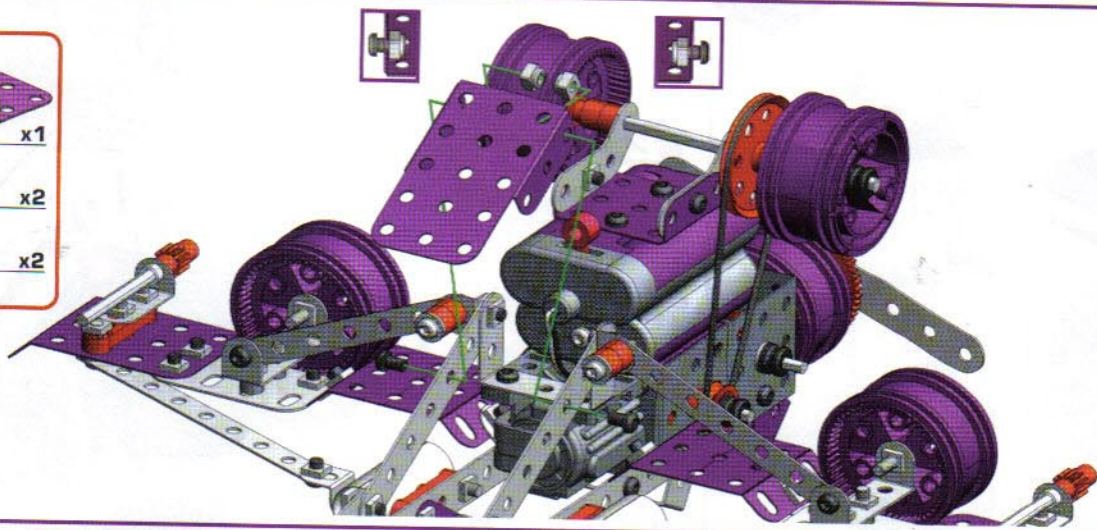


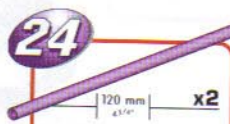



22

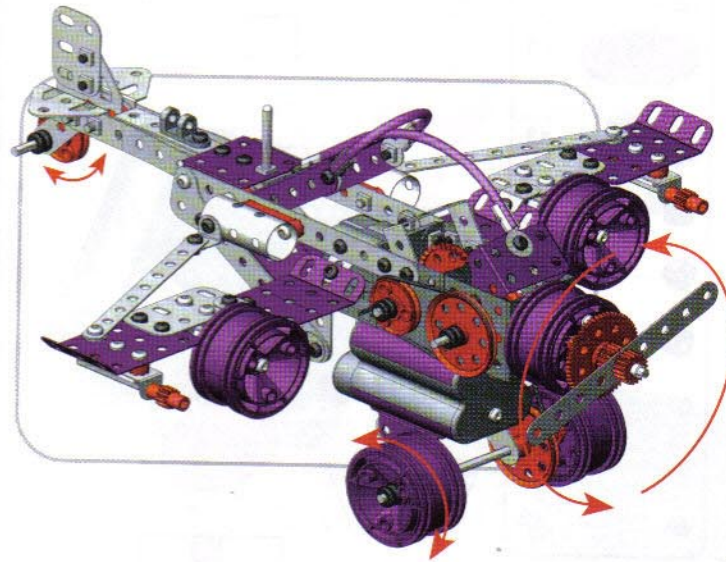
-  x2
-  x2
-  x2
-  x6
-  x4
-  x2

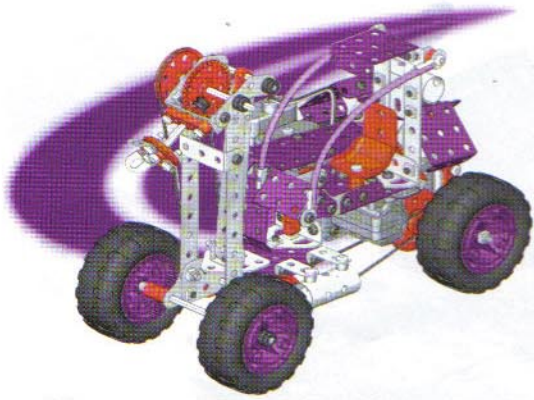
**23**

-  x1
-  x2
-  x2

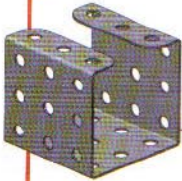






**24**

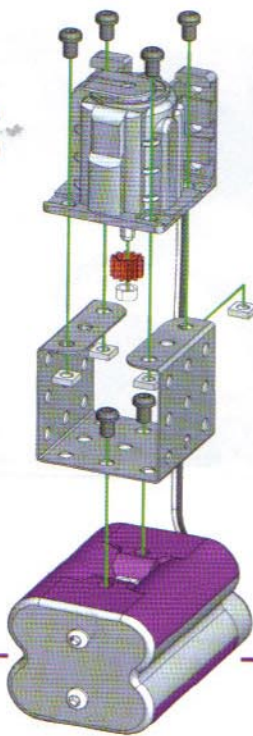
-  x2
-  x4
-  x4
-  x4



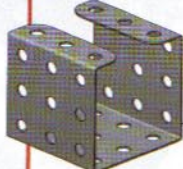







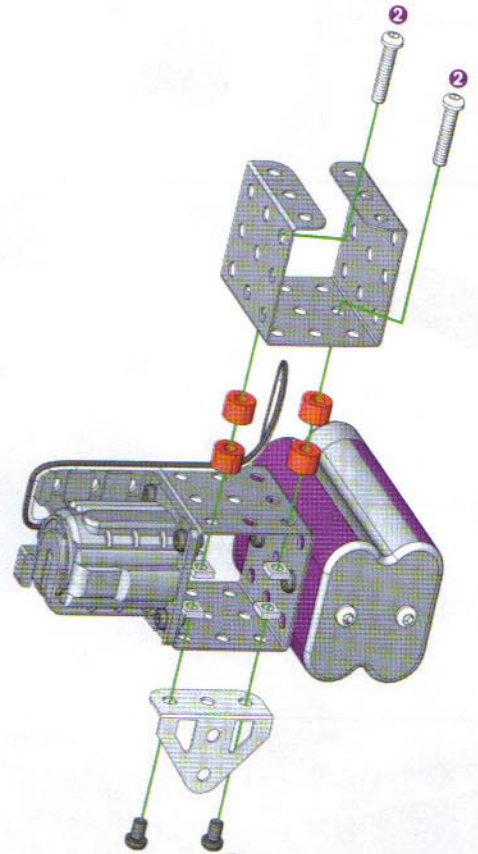
1

-  x1
-  x1
- 
-  x1
-  x1
-  x4
-  x6

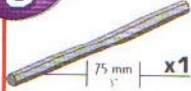











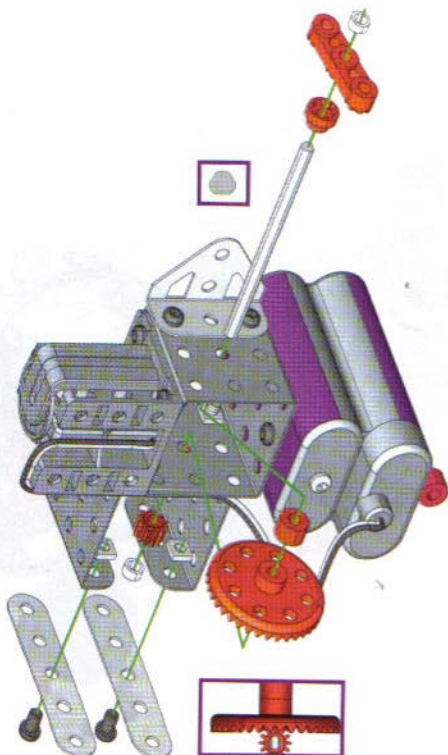
2

-  x1
-  x1
-  x4
-  x4
-  x2
-  x2

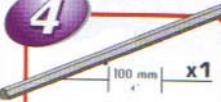







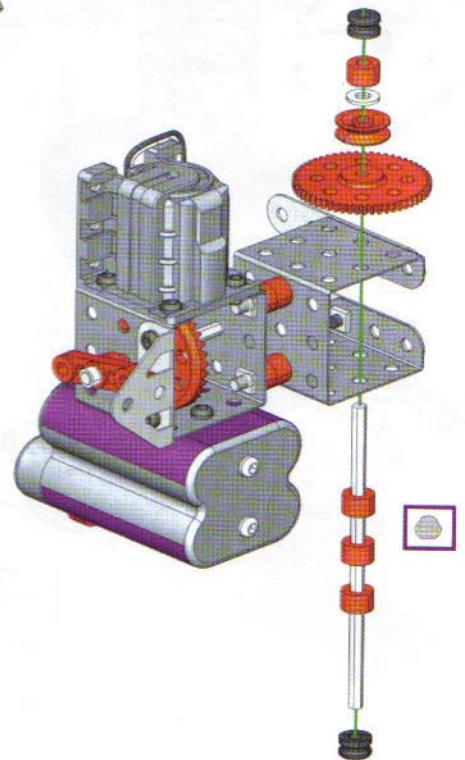
3

-  x1
-  x2
-  x1
-  x1
-  x1
-  x1
-  x1
-  x2
-  x2
-  x2

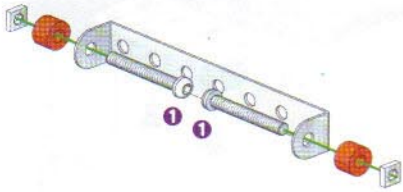


4

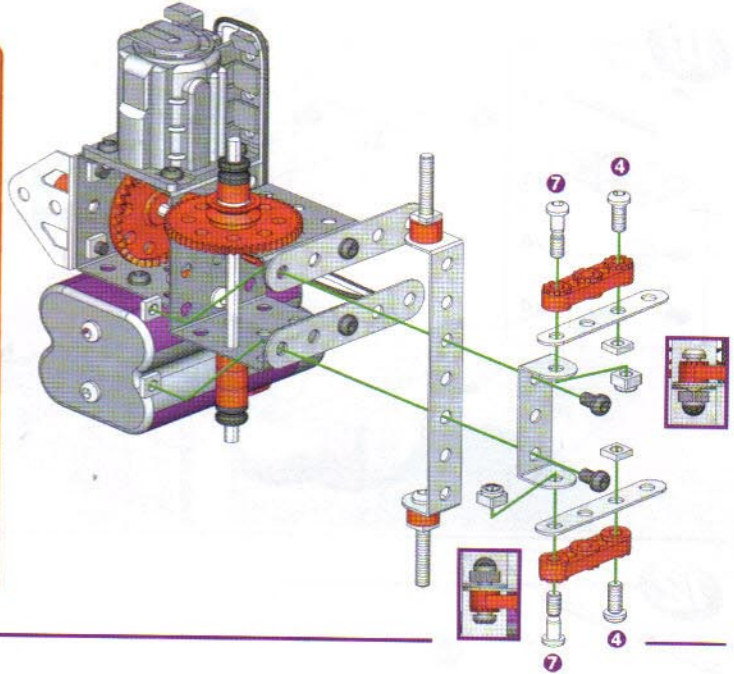
-  x1
-  x1
-  x1
-  x2
-  x4
-  x1



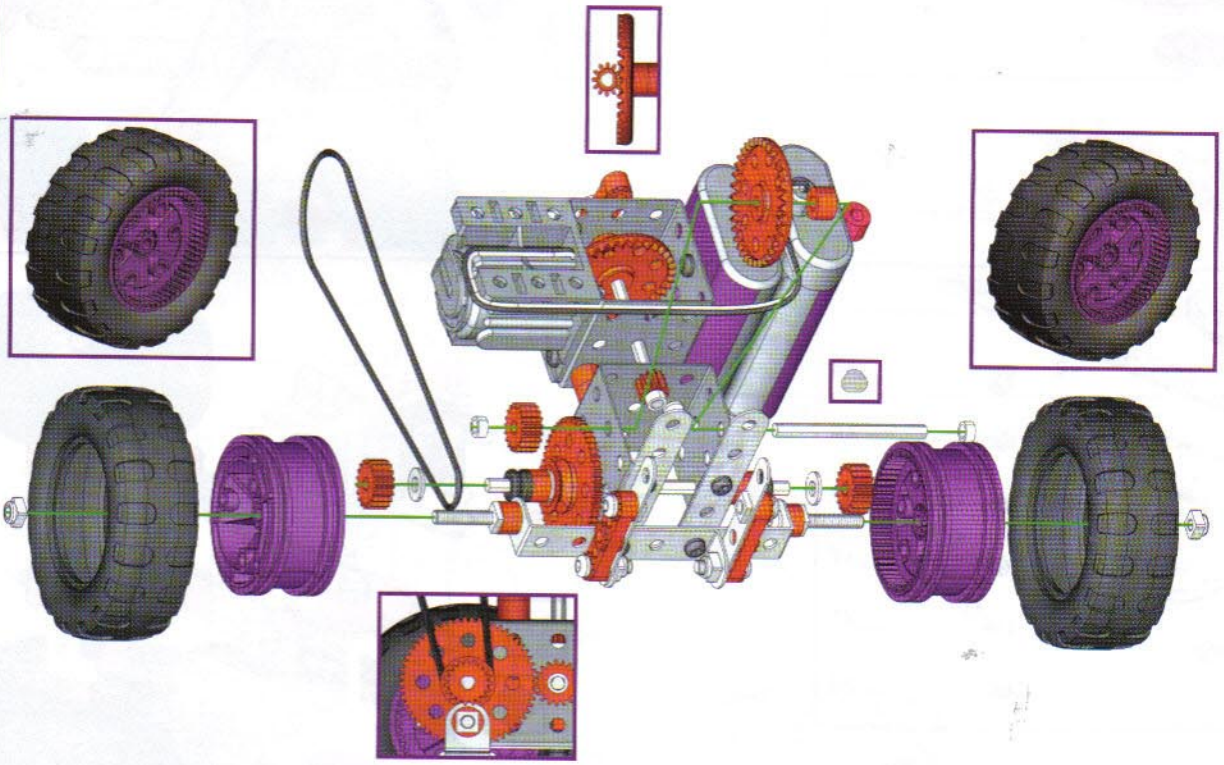
- 5**
- x1
 - x2
 - x2
 - x2



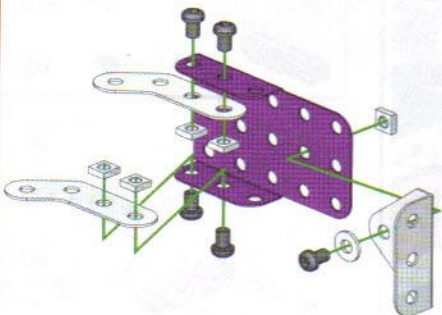
- 6**
- x2
 - x1
 - x2
 - x2
 - x4
 - x2
 - x2
 - x2



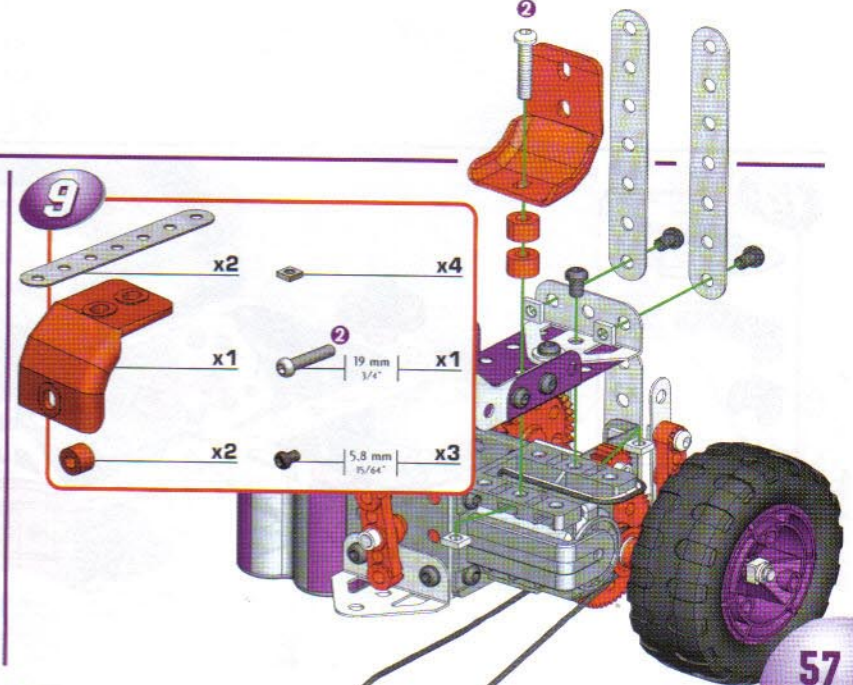
- 7**
- x2
 - x2
 - x1
 - x1
 - x1
 - x1
 - x3
 - x1
 - x2
 - x2
 - x2




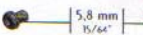


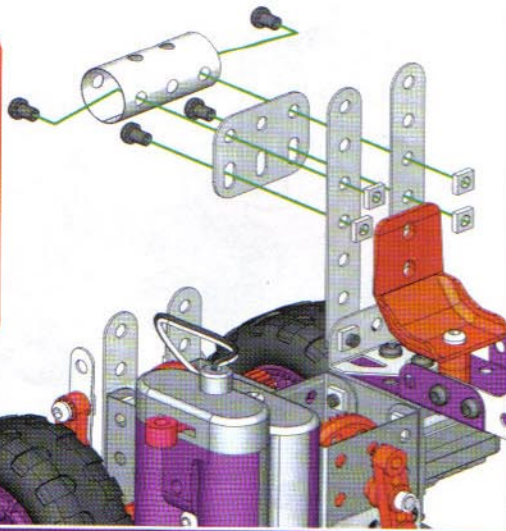
- 8**
- x1
 - x2
 - x1
 - x1
 - x5
 - x5






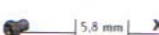


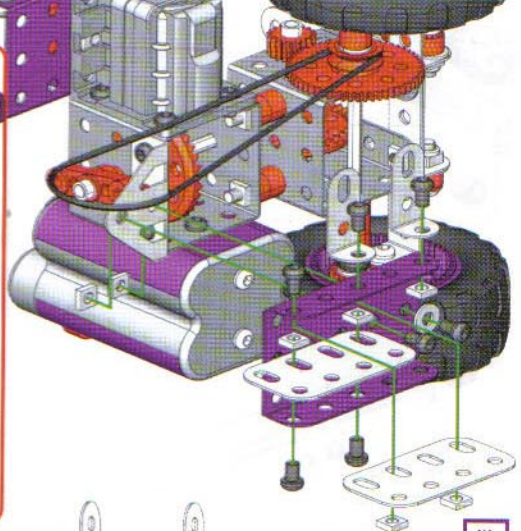
- 9**
- x2
 - x1
 - x2
 - x1
 - x3








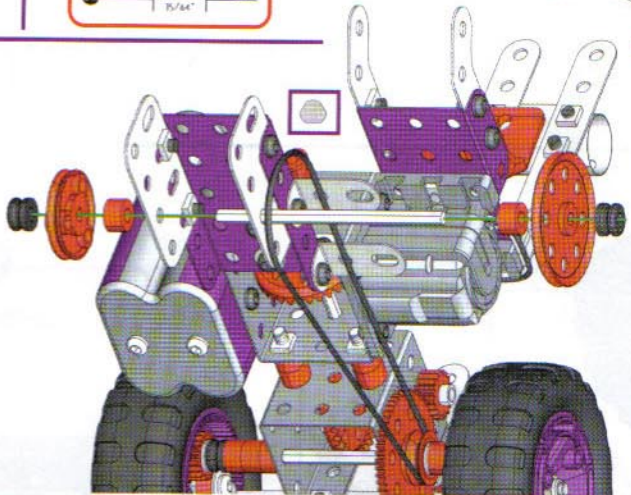
- 10**
-  x1
 -  x1
 -  x4
 -  5,8 mm 15/64" x4

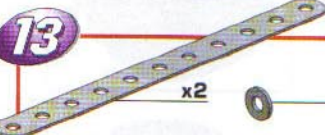







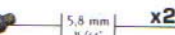


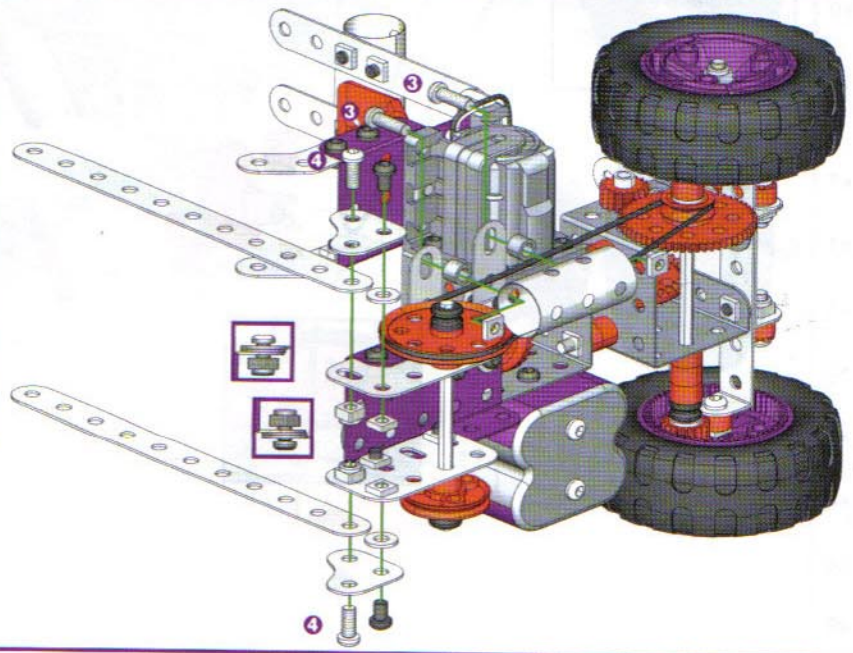
- 11**
-  x1
 -  x2
 -  x2
 -  5,8 mm 15/64" x1
 -  x7
 -  5,8 mm 15/64" x7





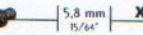


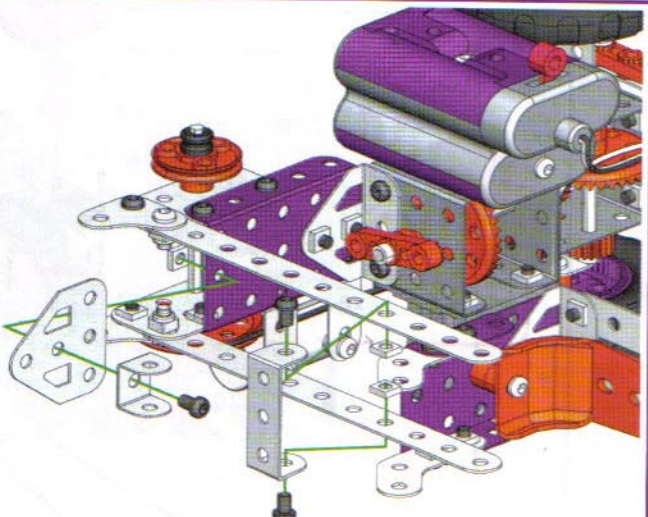
- 12**
-  75 mm 3" x1
 -  x2
 -  x1
 -  x2
 -  x1




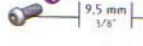

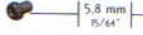


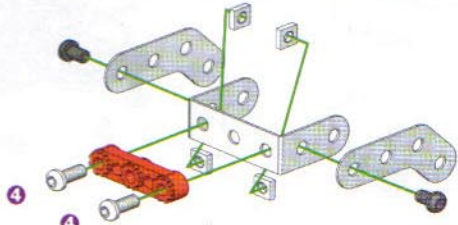
- 13**
-  x2
 -  x2
 -  x1
 -  x2
 -  x4
 -  x2
 -  12 mm 1/2" x2
 -  9,5 mm 3/8" x2
 -  5,8 mm 15/64" x2



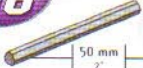







- 14**
-  x1
 -  x1
 -  x1
 -  x3
 -  5,8 mm 15/64" x3

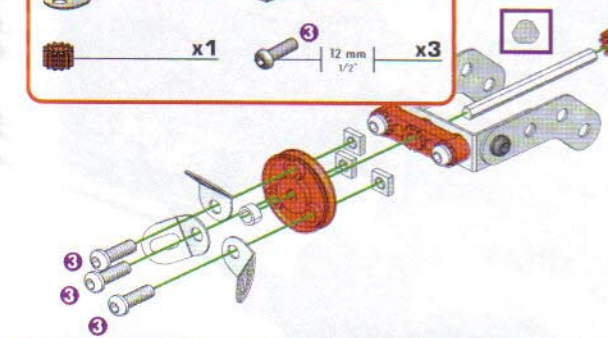


- 15**
-  x1
 -  x4
 -  x2
 -  9,5 mm 3/8" x2
 -  x1
 -  5,8 mm 15/64" x2









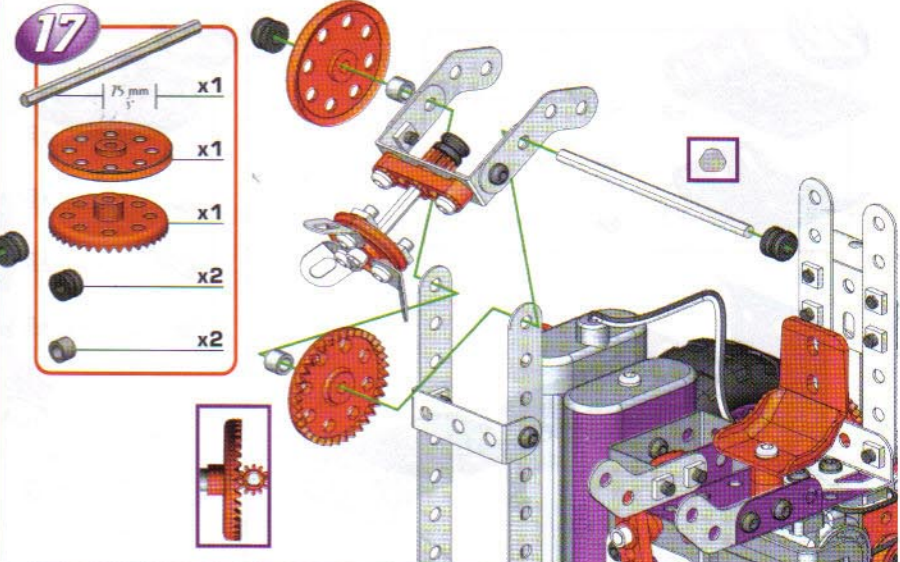
16

	x1		x1
	x1		x1
	x3		x3
	x1		x3





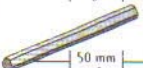





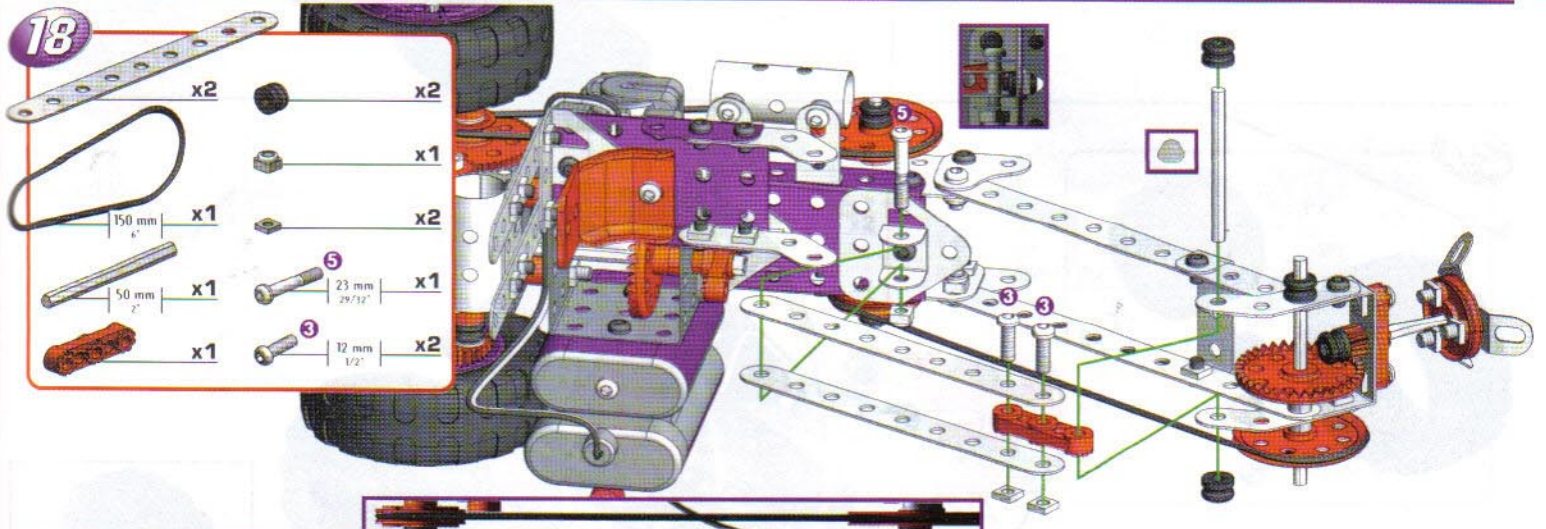
17

	x1		x1
	x1		x2
	x2		x2









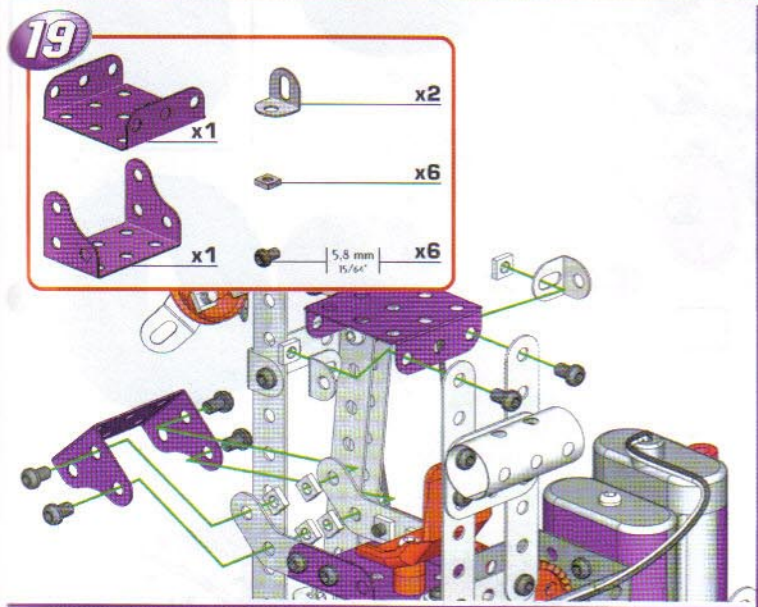
18

	x2		x2
	x1		x1
	x1		x1
	x1		x2

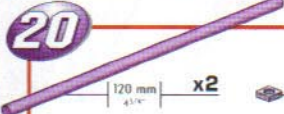







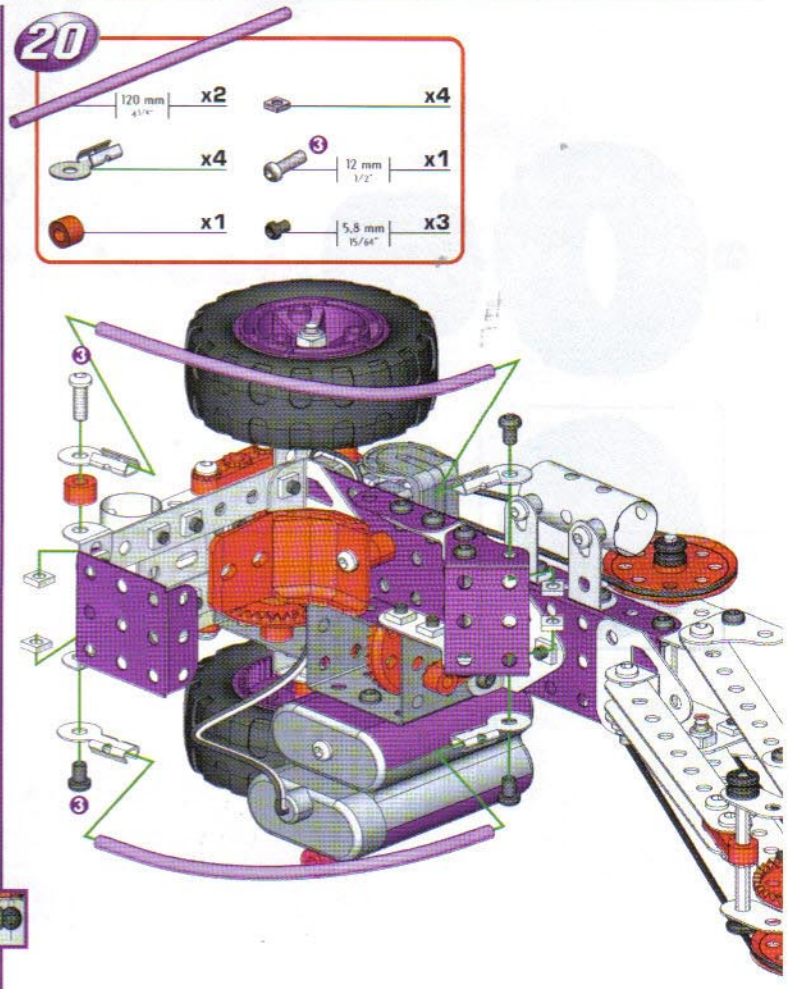
19

	x1		x2
	x1		x6
	x1		x6













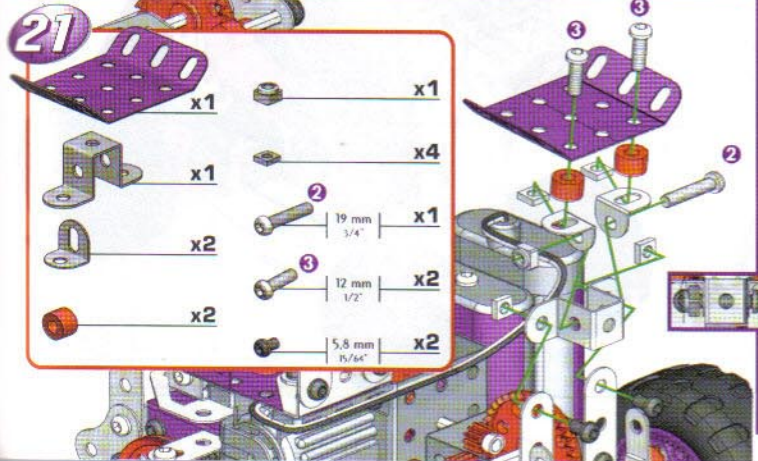
20

	x2		x4
	x4		x1
	x1		x3



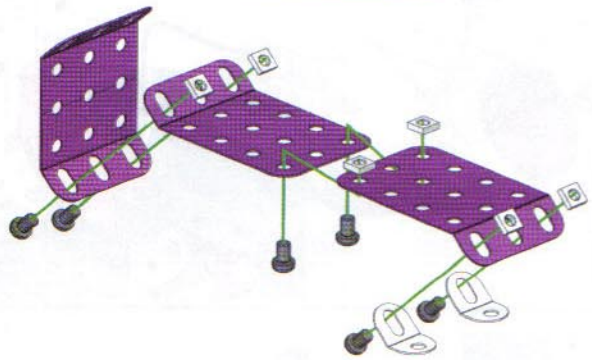
21

	x1		x1
	x1		x4
	x2		x1
	x2		x2
	x2		x2



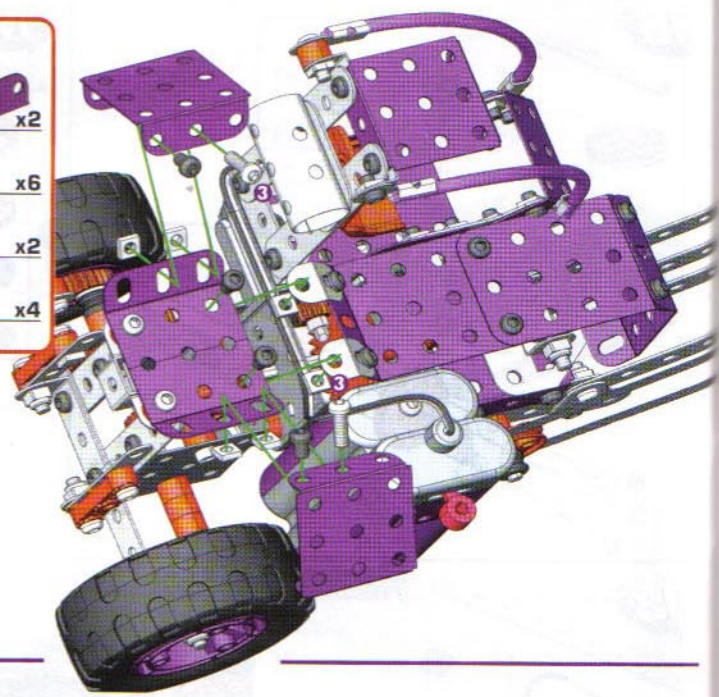
22

- x2
- x1
- x2
- x6
- x6



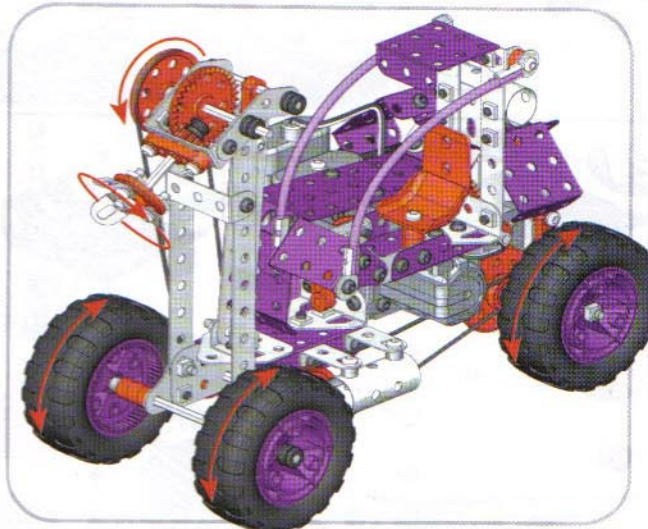
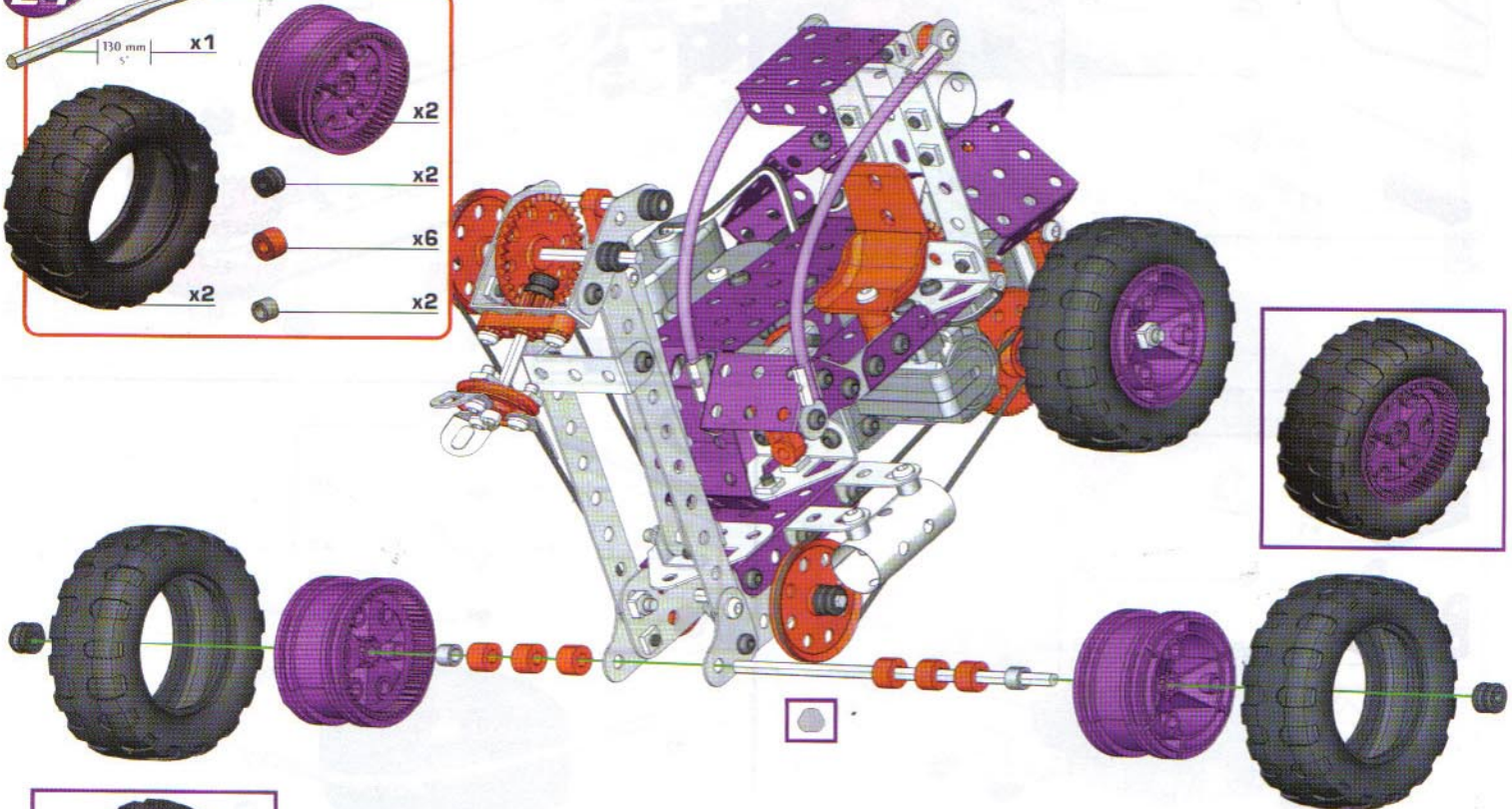
23

- x2
- x6
- 12mm (1/2 inch) x2
- x4



24

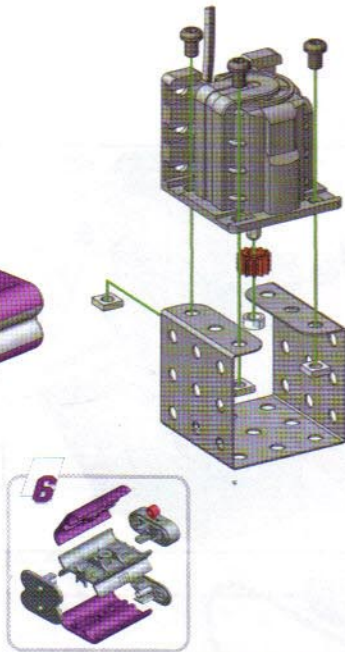
- x1
- x2
- x2
- x2
- x6
- x2





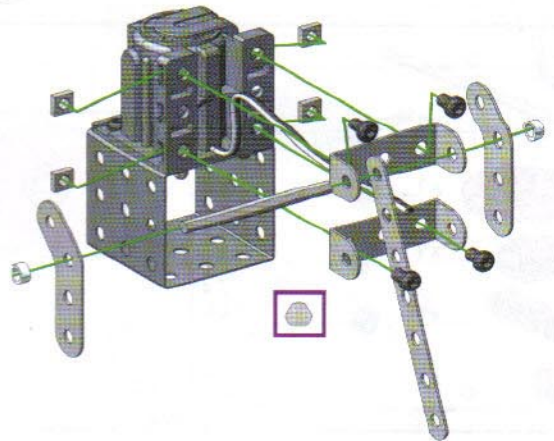
7

- x1
- x1
- x1
- x1
- x1
- x3
- x3



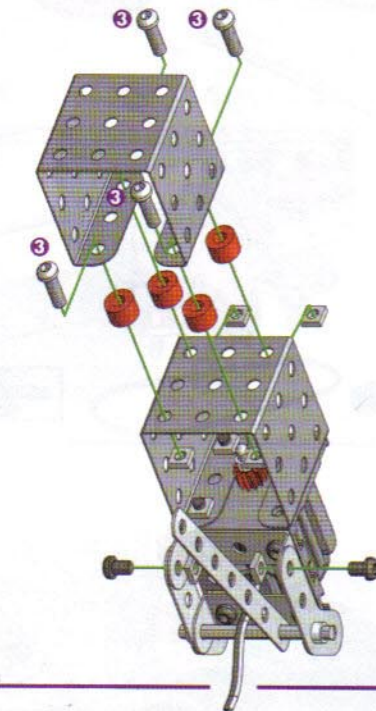
2

- x1
- x1
- x2
- x2
- x2
- x4
- x4



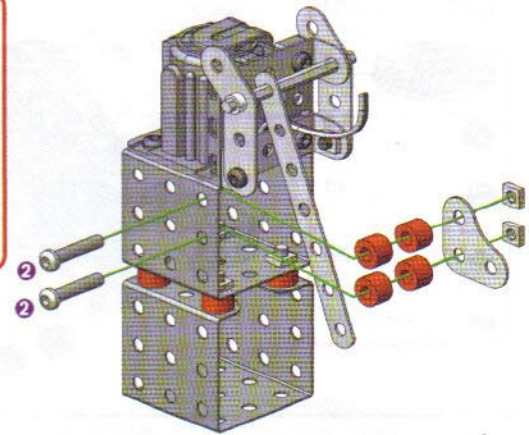
3

- x1
- x4
- x6
- x4
- x2



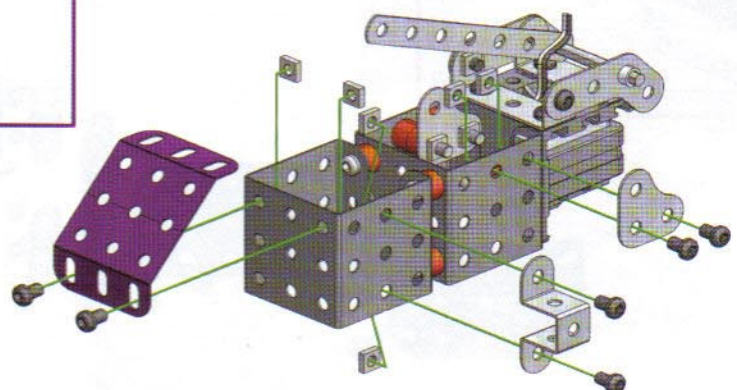
4

- x1
- x4
- x2
- x2

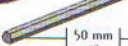



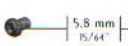




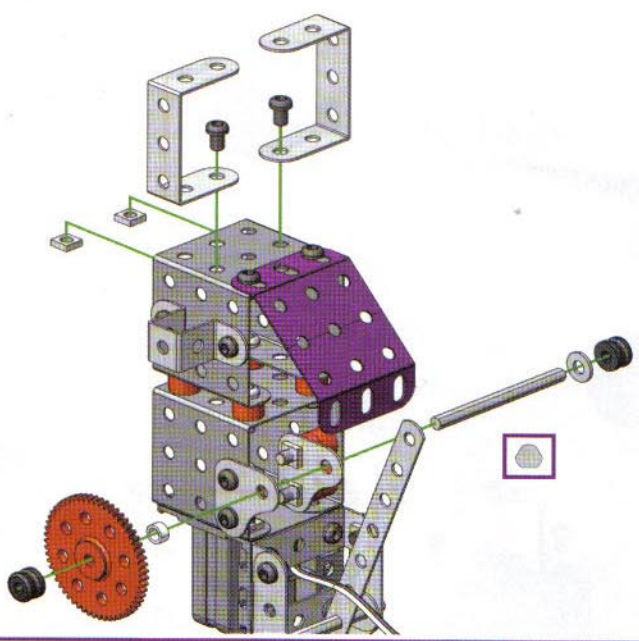
5

- x1
- x1
- x1
- x6
- x6

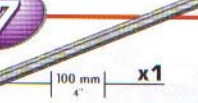










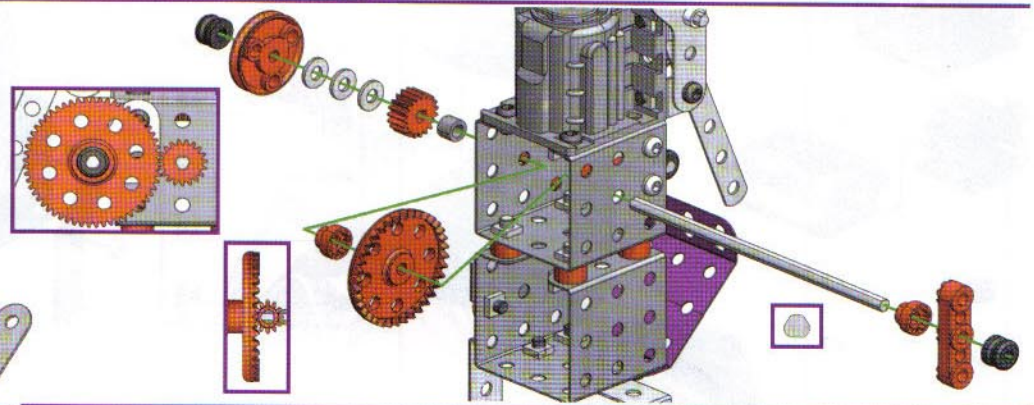
6

-  50 mm $\frac{1}{2}$ " x1
-  x1
-  x2
-  x2
-  5.8 mm $\frac{15}{64}$ " x1
-  x1
-  x2


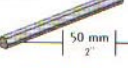




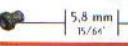


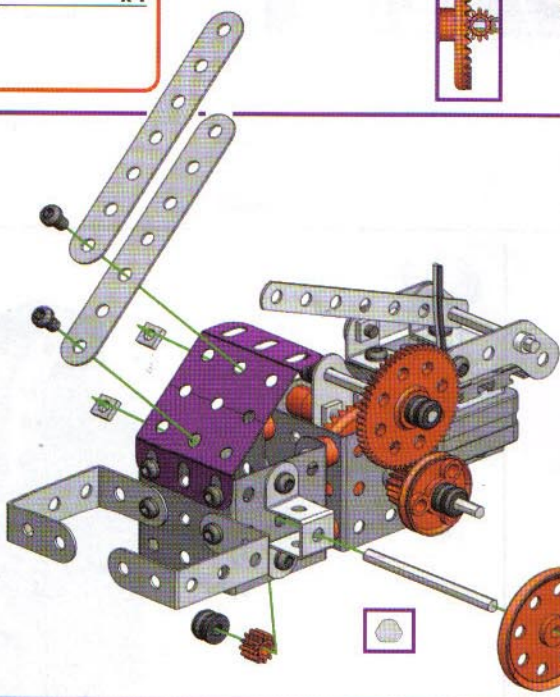
7

-  100 mm 4" x1
-  x1
-  x1
-  x1
-  x1
-  x2
-  x2
-  x3
-  x1





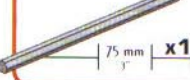




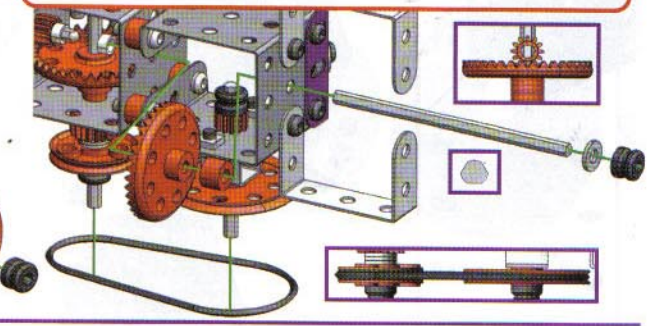
8

-  x2
-  50 mm $\frac{1}{2}$ " x1
-  x1
-  x2
-  x1
-  x2
-  5.8 mm $\frac{15}{64}$ " x2




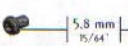


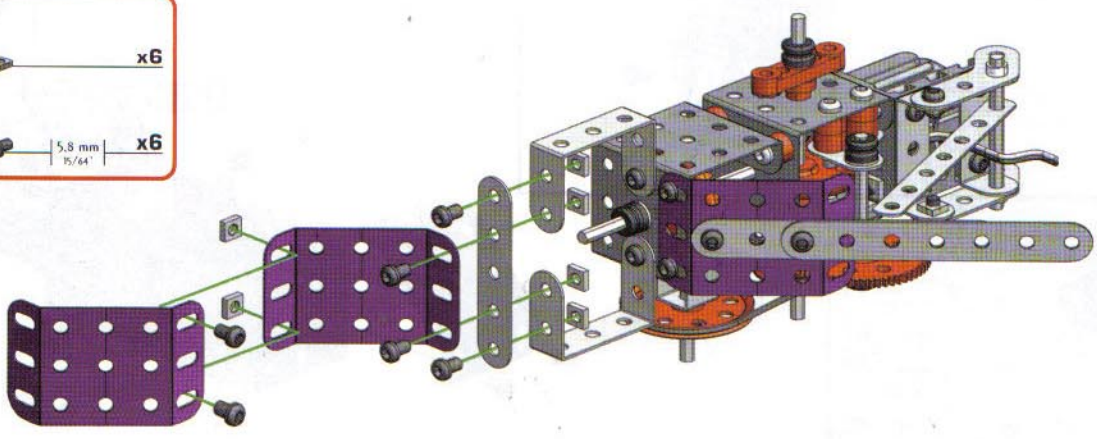
9

-  150 mm 6" x1
-  x1
-  x1
-  x1
-  75 mm $\frac{3}{4}$ " x1
-  x1
-  x1



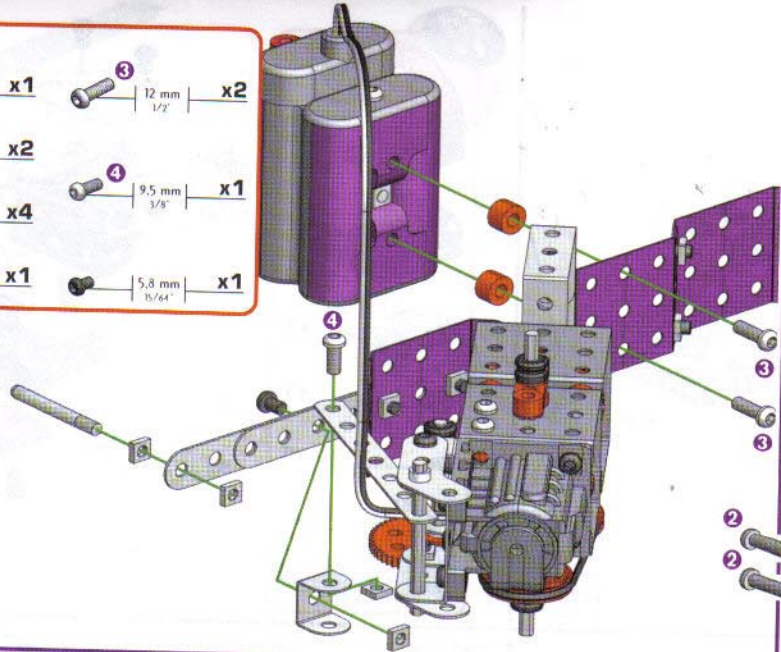
10

-  x2
-  x1
-  x6
-  5.8 mm $\frac{15}{64}$ " x6



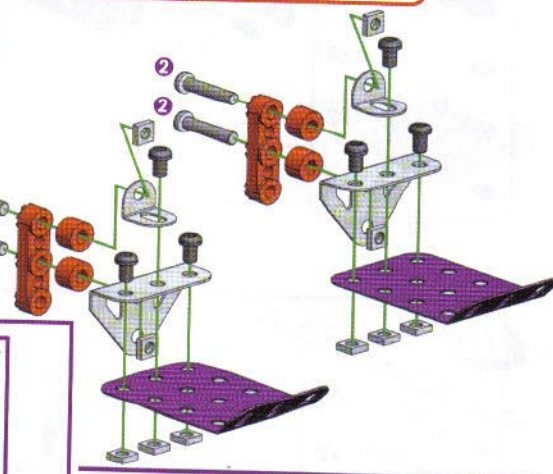
11

- x1
- x2
- x4
- 34 mm 1 1/8" x1
- 12 mm 1/2" x2
- 9.5 mm 3/8" x1
- 5.8 mm 15/64" x1



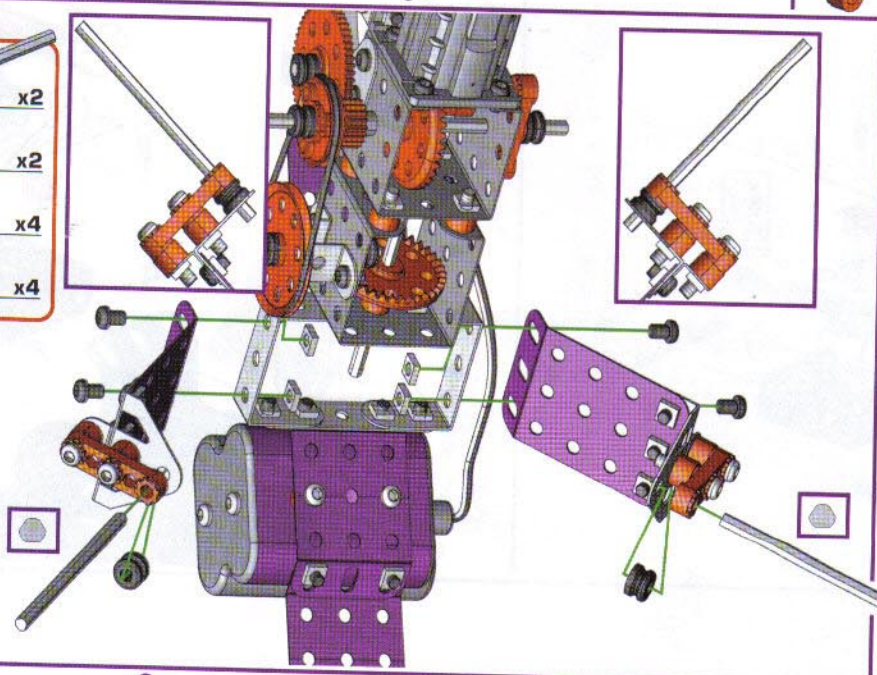
12

- x2
- x4
- x2
- x2
- x2
- x10
- 19 mm 3/4" x4
- 5.8 mm 15/64" x6



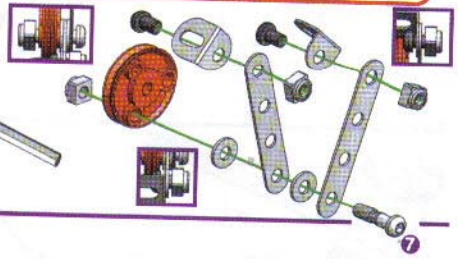
13

- 75 mm 3" x2
- x2
- x4
- 5.8 mm 15/64" x4



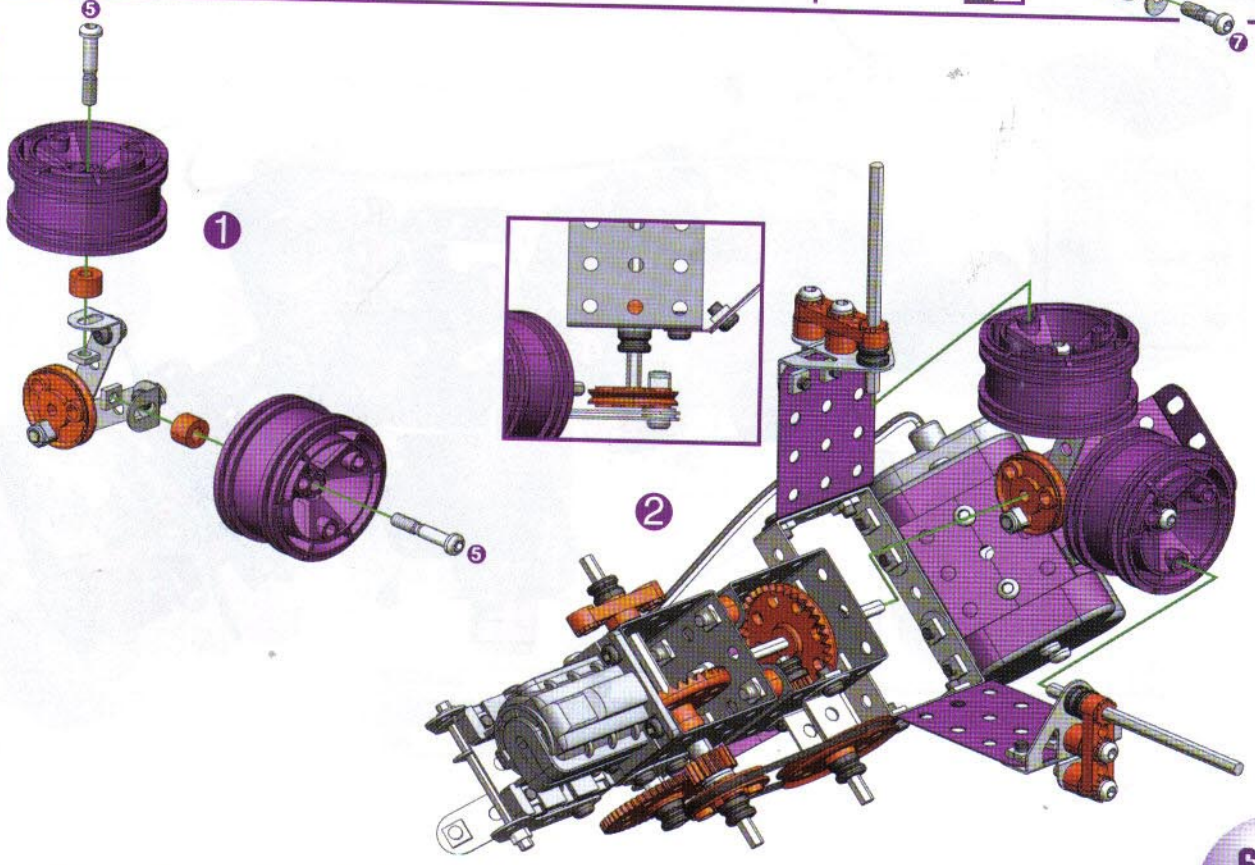
14

- x2
- x1
- x2
- x2
- x3
- 14.7 mm 9/16" x1
- 5.8 mm 15/64" x2







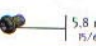


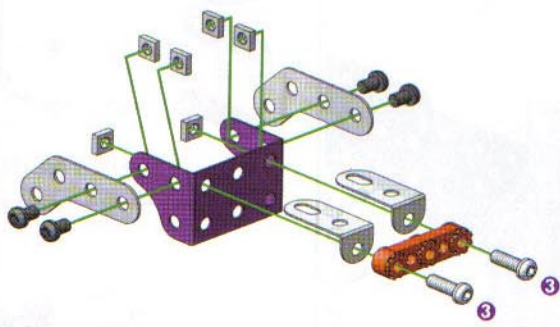
15

- x2
- x2
- x2
- 23 mm 29/32" x2










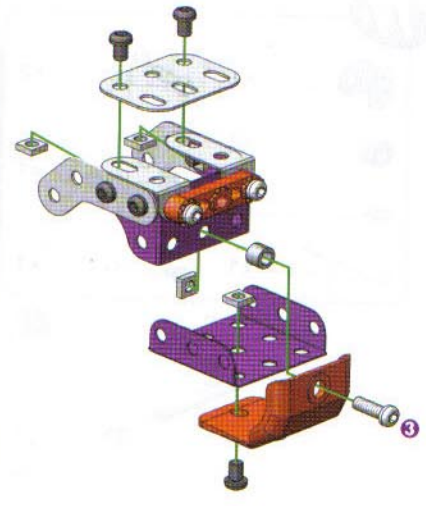
16

-  x1
-  x2
-  x2
-  x1
-  x6
-  12 mm
1/2" x2
-  5.8 mm
15/64" x4

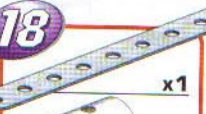








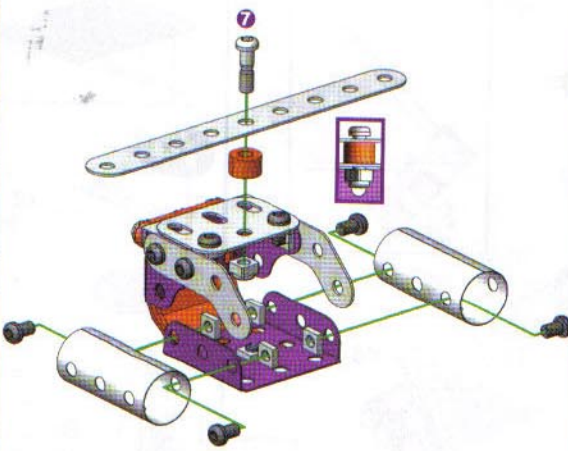
17

-  x1
-  x1
-  x1
-  x1
-  x4
-  12 mm
1/2" x1
-  5.8 mm
15/64" x3








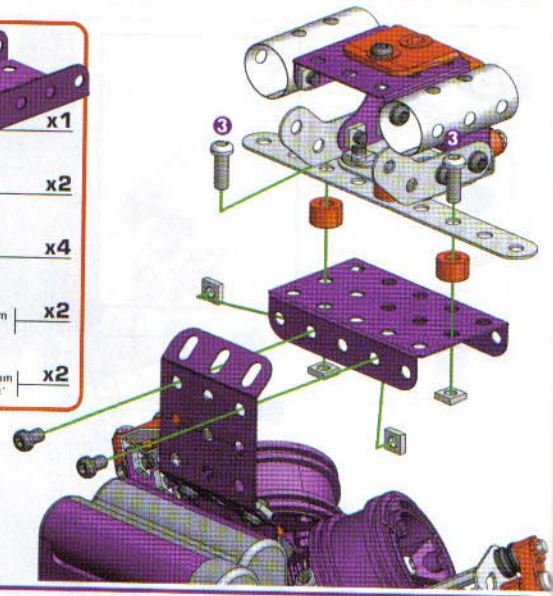
18

-  x1
-  x2
-  x1
-  x1
-  x4
-  14.7 mm
9/16" x1
-  5.8 mm
15/64" x4








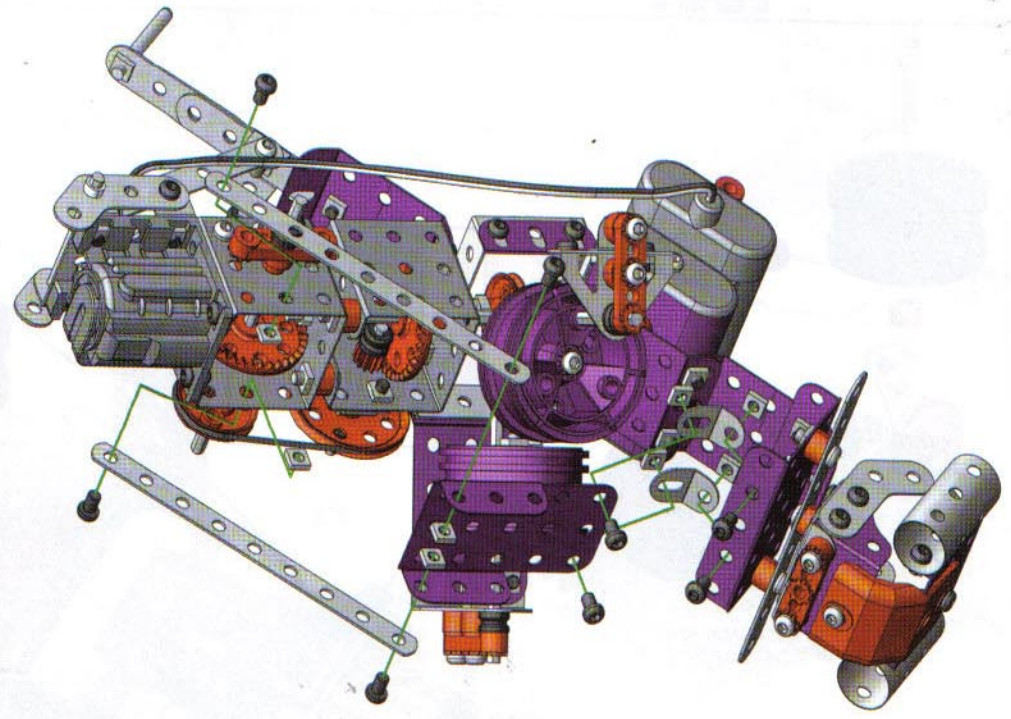
19

-  x1
-  x2
-  x4
-  12 mm
1/2" x2
-  5.8 mm
15/64" x2
















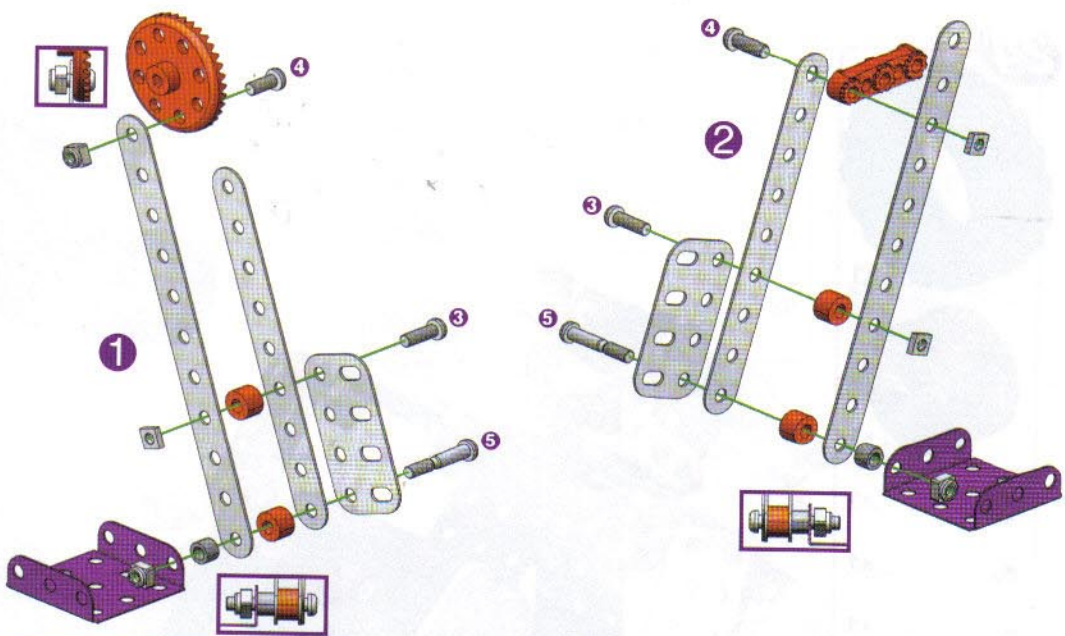
20

-  x2
-  x1
-  x2
-  x8
-  5.8 mm
15/64" x8

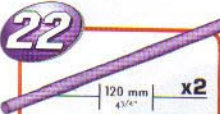








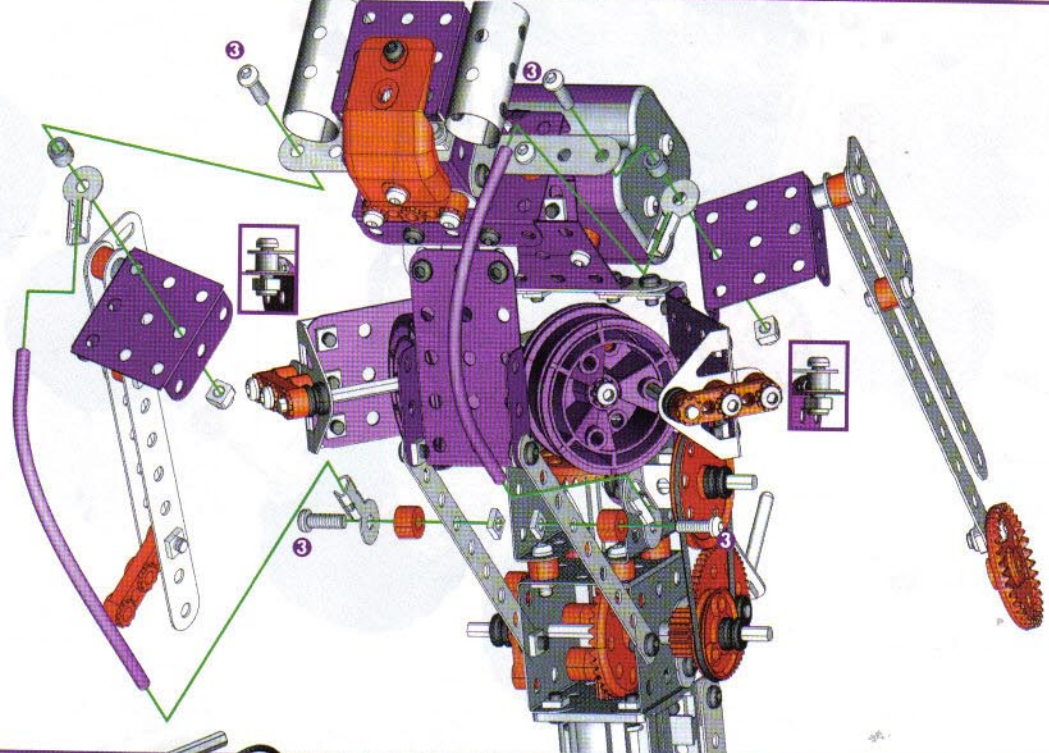
21

-  x2
-  x2
-  x2
-  x2
-  x1
-  x1
-  x4
-  x2
-  x3
-  x3
-  23 mm 29/32" x2
-  12 mm 1/2" x2
-  9.5 mm 3/8" x2



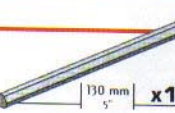










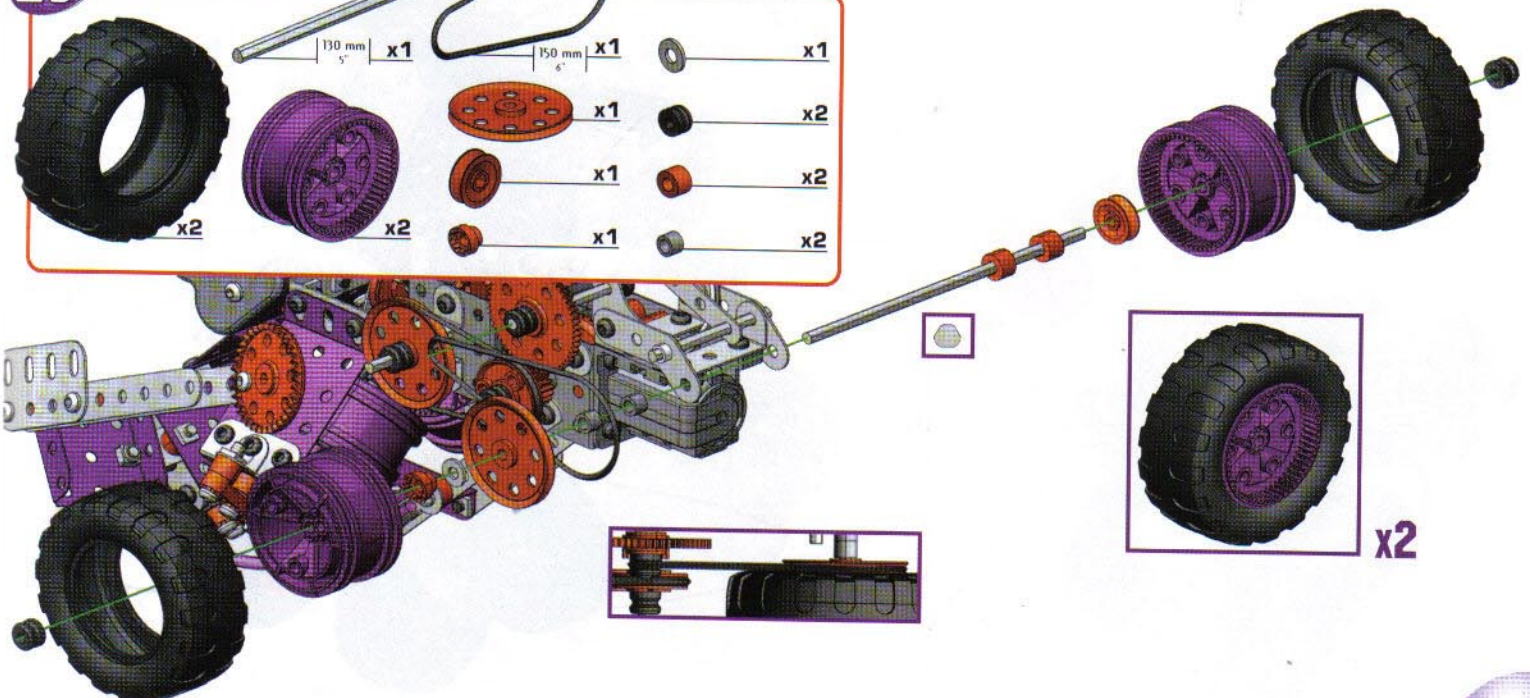
22

-  120 mm 4 3/4" x2
-  x4
-  x2
-  x2
-  x2
-  x2
-  12 mm 1/2" x4



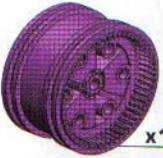
23

-  x2
-  x2
-  130 mm 5" x1
-  150 mm 6" x1
-  x1
-  x1
-  x1
-  x1
-  x2
-  x2
-  x2





x1



x1



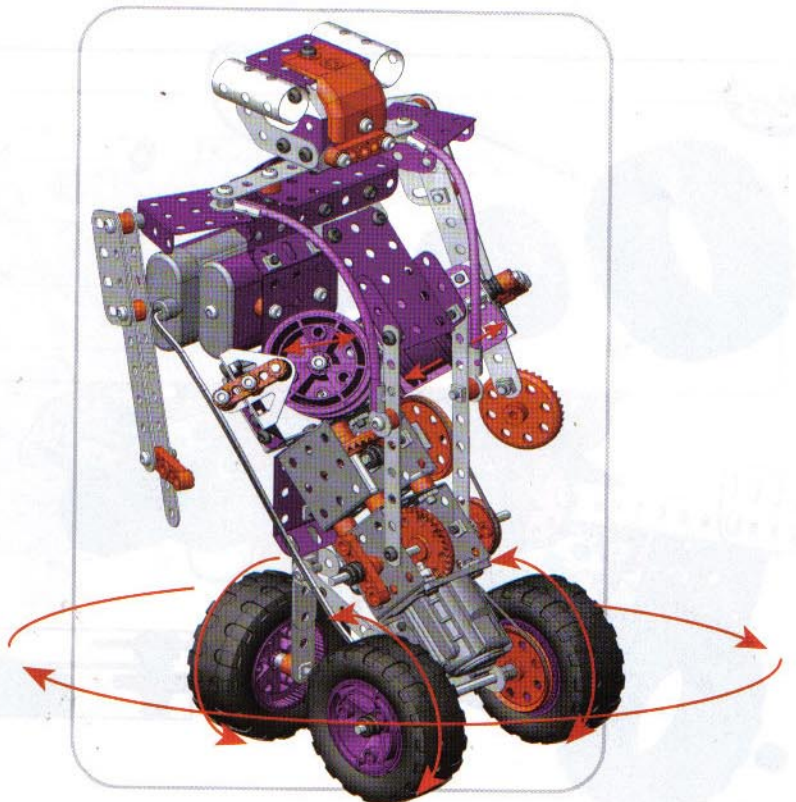
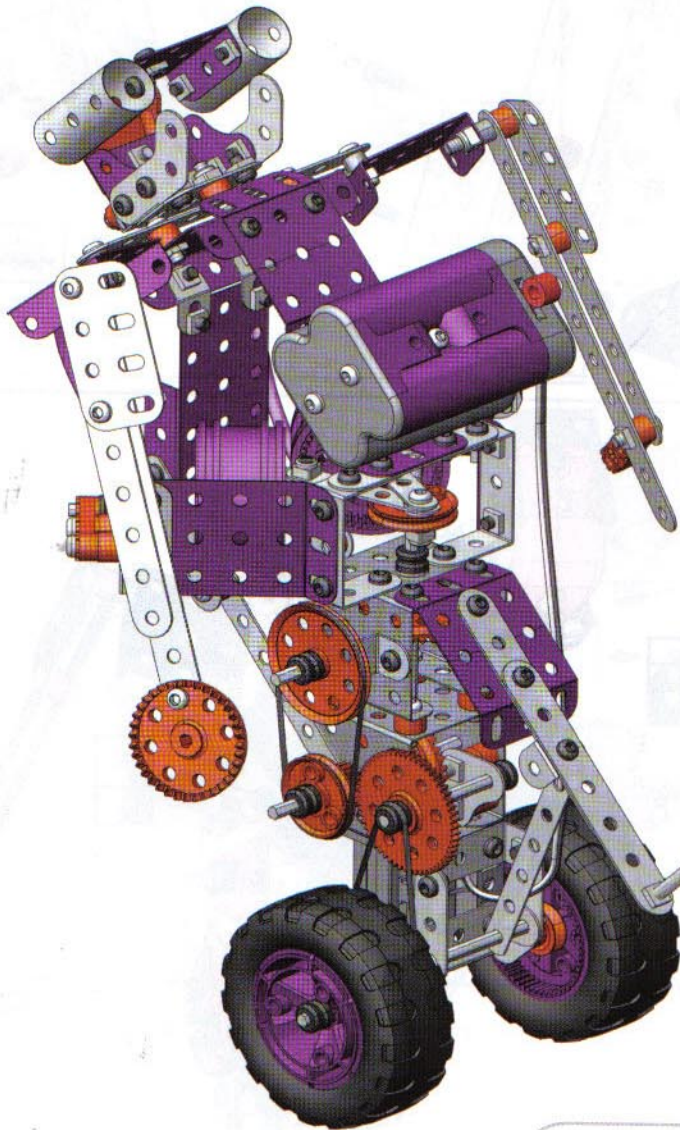
x1



x1



x1





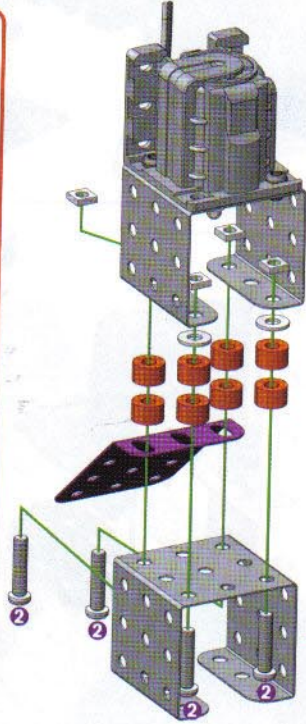
7

- Grey 3-hole Technic beam: x1
- Grey 2-hole Technic beam: x1
- Grey 1-hole Technic beam: x1
- Grey 1-hole Technic beam: x2
- Grey 1-hole Technic beam: x1
- Grey 1-hole Technic beam: x2
- Grey 1-hole Technic beam: 5.8 mm / 15/64": x2

Motor and battery assembly diagram.

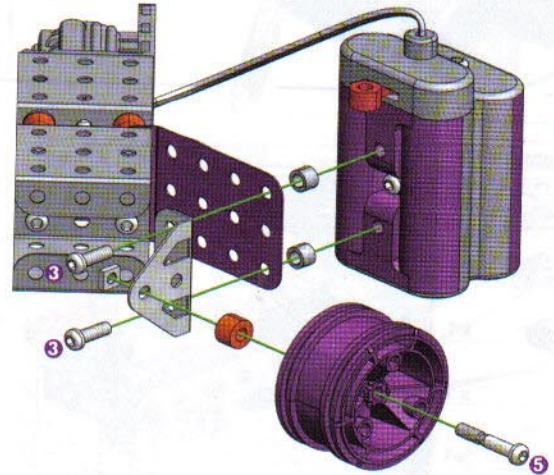
2

- Grey 3-hole Technic beam: x1
- Purple 3-hole Technic beam: x1
- Orange axle pin: x8
- Grey axle pin: x2
- Grey axle pin: x4
- Grey axle pin: 19 mm / 3/4": x4



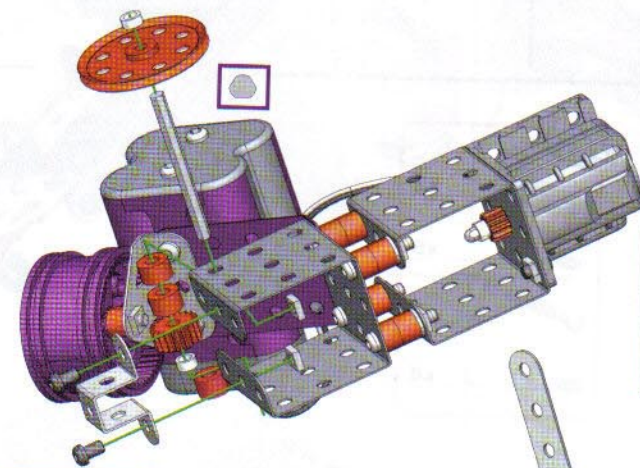
3

- Purple gear: x1
- Grey 1-hole Technic beam: x1
- Orange axle pin: x1
- Grey axle pin: x2
- Grey axle pin: x1
- Grey axle pin: 23 mm / 29/32": x1
- Grey axle pin: 12 mm / 1/2": x2



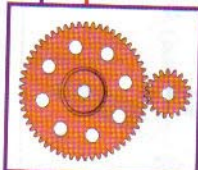
4

- Grey axle pin: 50 mm / 2": x1
- Grey 1-hole Technic beam: x1
- Orange gear: x1
- Orange gear: x1
- Orange axle pin: x2
- Grey axle pin: x2
- Grey axle pin: x2
- Grey axle pin: 5.8 mm / 15/64": x2



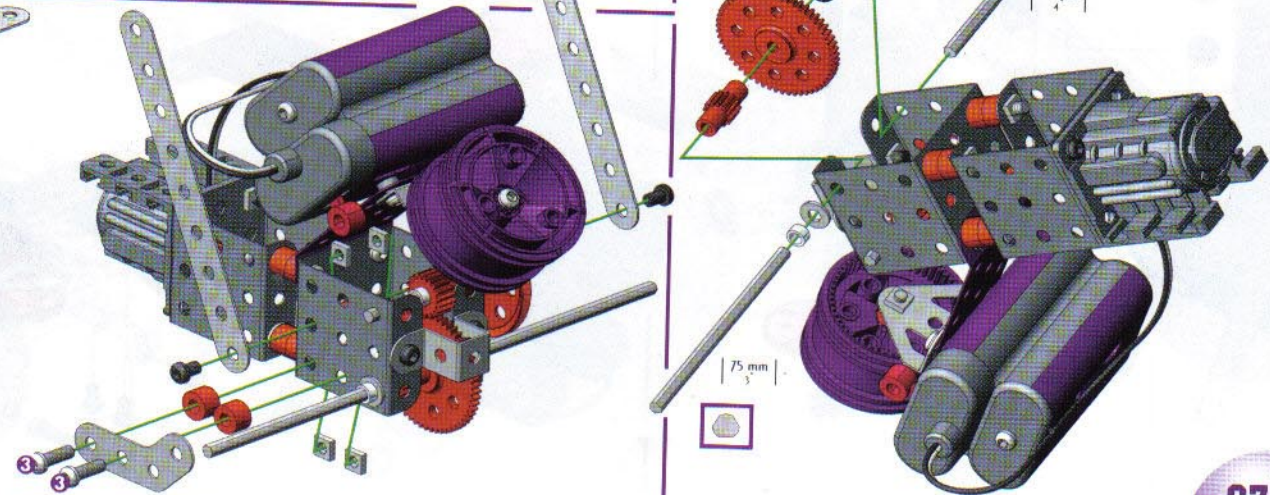
5

- Grey axle pin: 100 mm / 4": x1
- Orange axle pin: x1
- Grey axle pin: x1
- Grey axle pin: x1
- Grey axle pin: x1
- Grey axle pin: x1
- Orange gear: x1

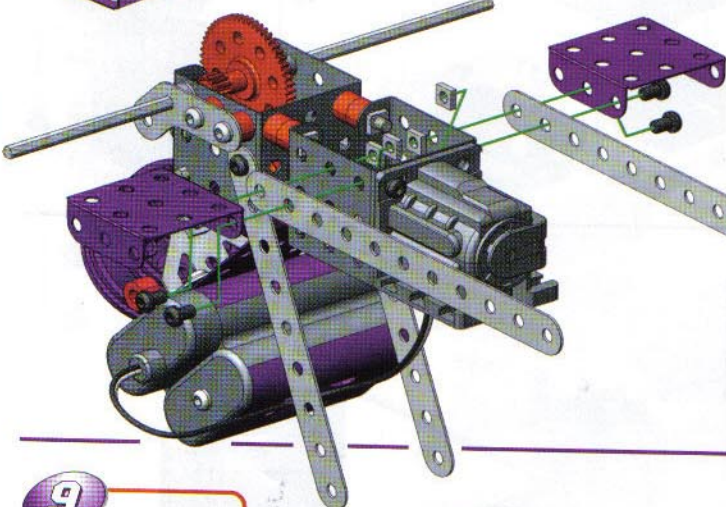


6

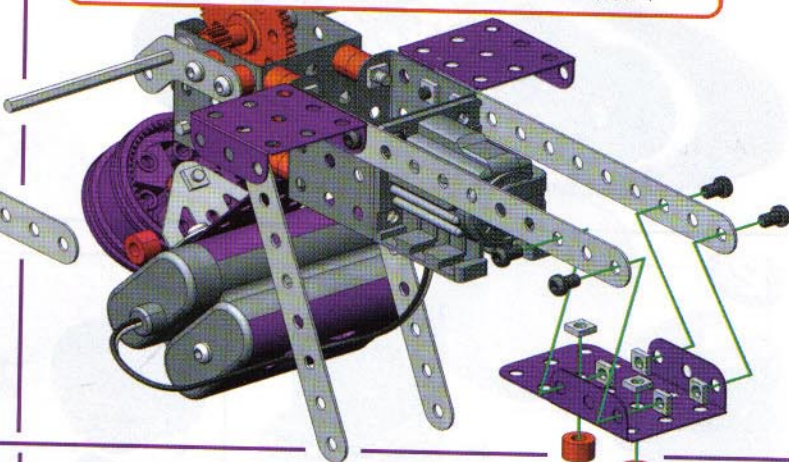
- Grey 1-hole Technic beam: x2
- Grey 1-hole Technic beam: x1
- Orange axle pin: x2
- Grey axle pin: x4
- Grey axle pin: 12 mm / 1/2": x2
- Grey axle pin: 5.8 mm / 15/64": x2



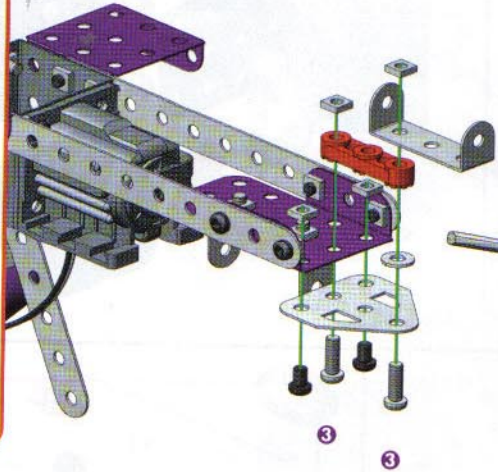
- 7**
- 1x20 hole Technic beam (grey) x2
 - 1x2 hole Technic plate (purple) x2
 - 1/2" x 5.8 mm Technic pin (grey) x4
 - 1/2" x 5.8 mm Technic pin (black) x4



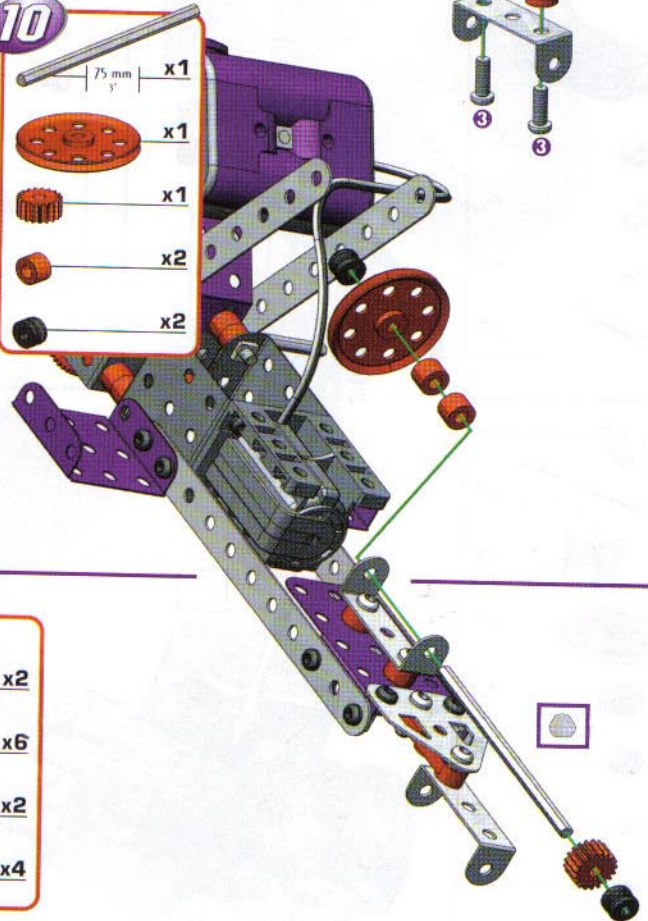
- 8**
- 1x2 hole Technic plate (purple) x1
 - 1x2 hole Technic plate (grey) x1
 - 1/2" x 5.8 mm Technic pin (grey) x6
 - 12 mm x 1/2" Technic pin (grey) x2
 - 1/2" x 5.8 mm Technic pin (black) x4
 - 1x2 hole Technic plate (purple) x2



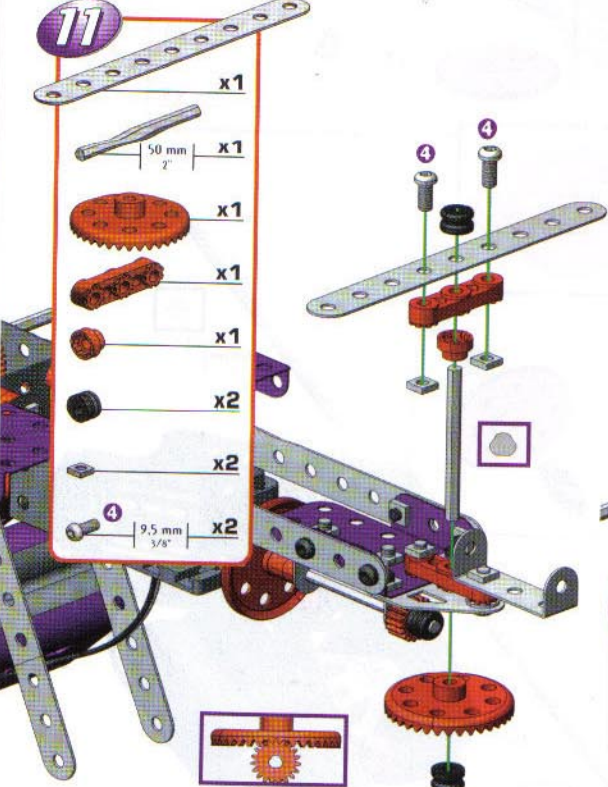
- 9**
- 1x2 hole Technic plate (grey) x1
 - 1x2 hole Technic plate (purple) x1
 - 1x2 hole Technic plate (grey) x1
 - 1x2 hole Technic plate (purple) x1
 - 1/2" x 5.8 mm Technic pin (grey) x1
 - 1/2" x 5.8 mm Technic pin (black) x4
 - 12 mm x 1/2" Technic pin (grey) x2
 - 1/2" x 5.8 mm Technic pin (black) x2



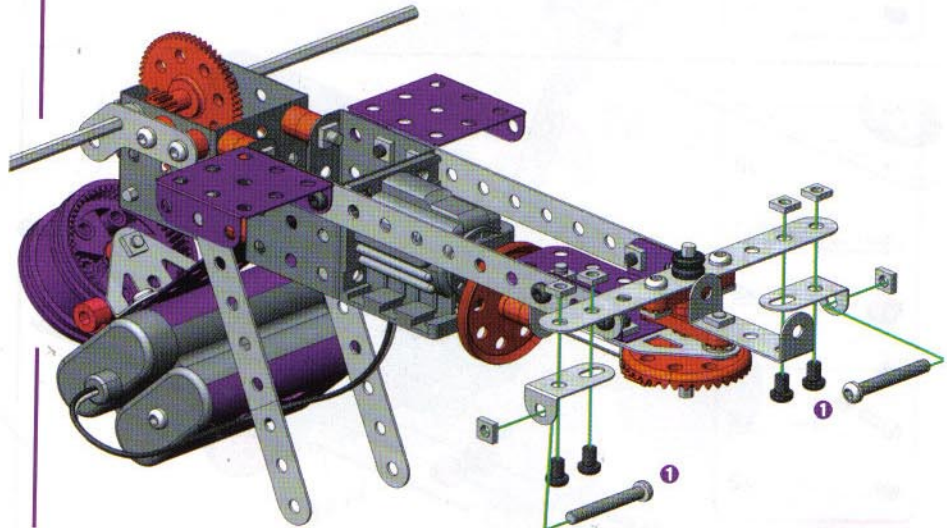
- 10**
- 75 mm x 1/8" Technic axle (grey) x1
 - 1x2 hole Technic plate (purple) x1
 - 1x2 hole Technic plate (grey) x1
 - 1x2 hole Technic plate (purple) x1
 - 1/2" x 5.8 mm Technic pin (grey) x2
 - 1/2" x 5.8 mm Technic pin (black) x2



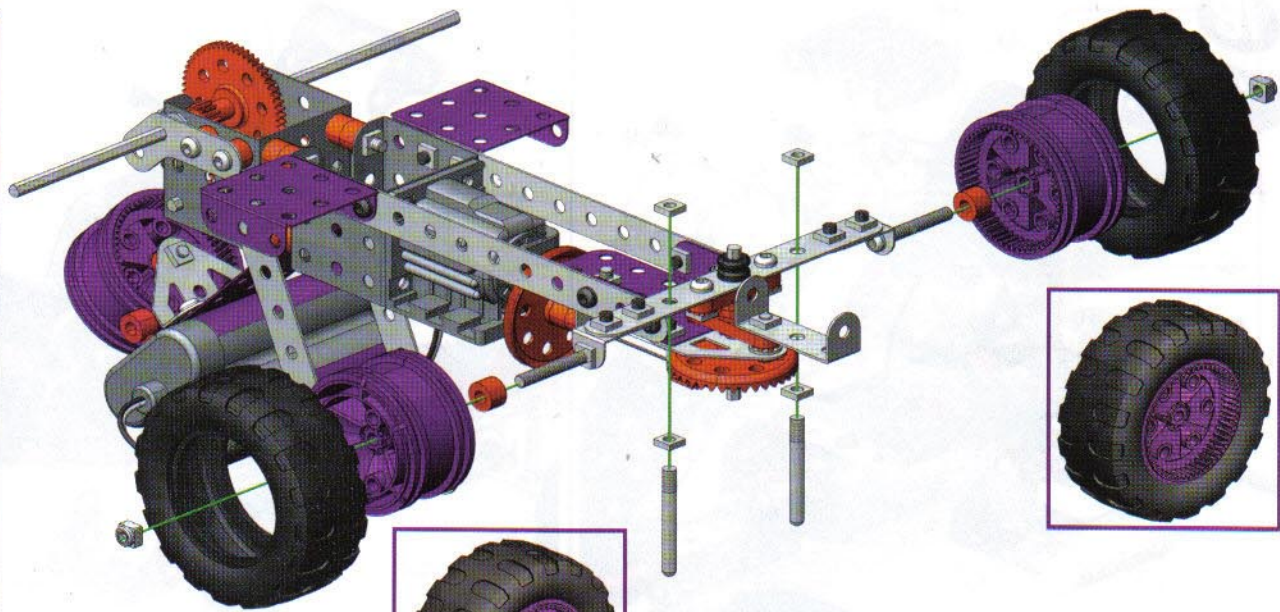
- 11**
- 1x20 hole Technic beam (grey) x1
 - 50 mm x 1/8" Technic axle (grey) x1
 - 1x2 hole Technic plate (purple) x1
 - 1x2 hole Technic plate (grey) x1
 - 1x2 hole Technic plate (purple) x1
 - 1/2" x 5.8 mm Technic pin (grey) x1
 - 1/2" x 5.8 mm Technic pin (black) x2
 - 1/2" x 5.8 mm Technic pin (black) x2
 - 9.5 mm x 3/8" Technic pin (grey) x2



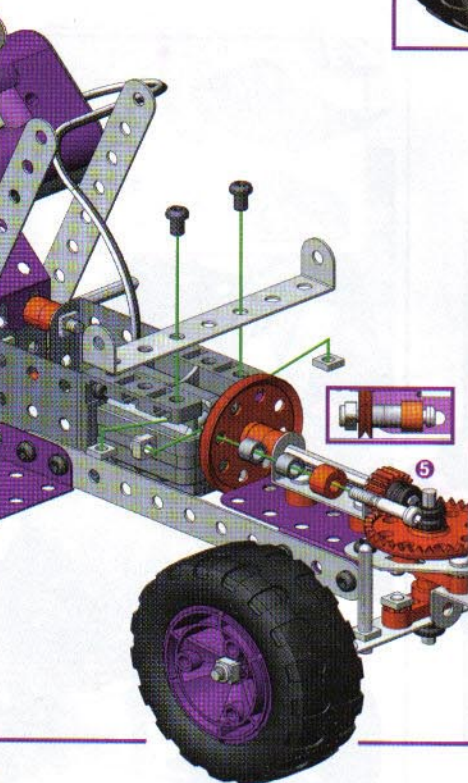
- 12**
- 1x2 hole Technic plate (grey) x2
 - 1/2" x 5.8 mm Technic pin (grey) x6
 - 28 mm x 1/8" Technic pin (grey) x2
 - 1/2" x 5.8 mm Technic pin (black) x4



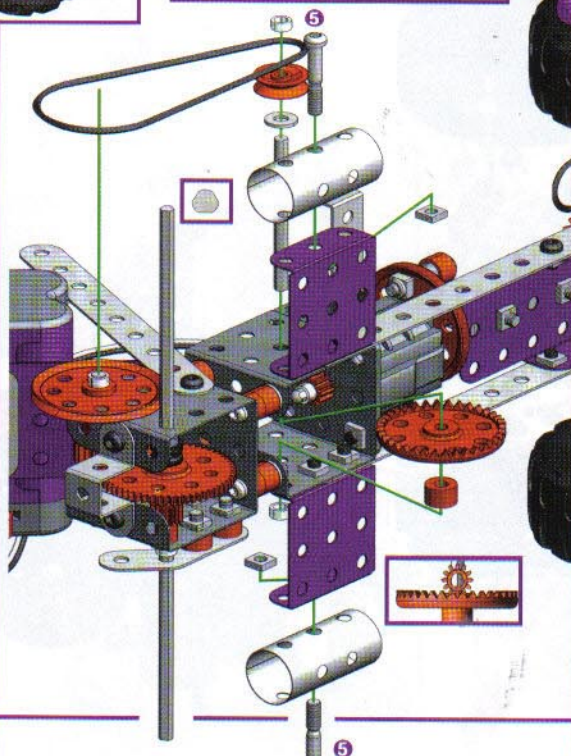
- 13**
- x2
 - x2
 - x2
 - x4
 - x2
 - 34 mm | 1 5/16" | x2



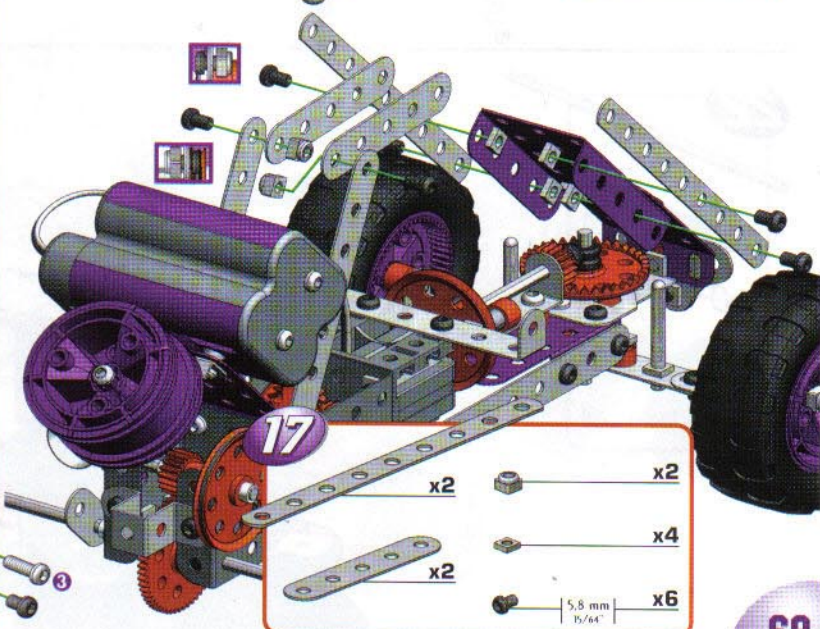
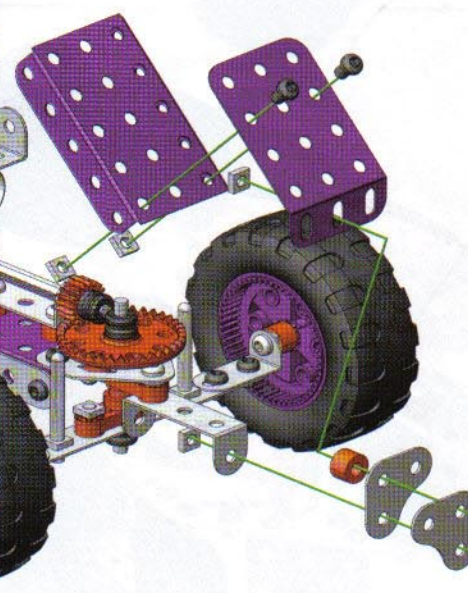
- 14**
- x1
 - x1
 - x2
 - x2
 - x1
 - 23 mm | 29/32" | x1
 - 5.8 mm | 15/64" | x2



- 15**
- 50 mm | 2" | x1
 - 150 mm | 6" | x1
 - x2
 - x1
 - x1
 - x1
 - x2
 - x1
 - x2
 - 23 mm | 29/32" | x2

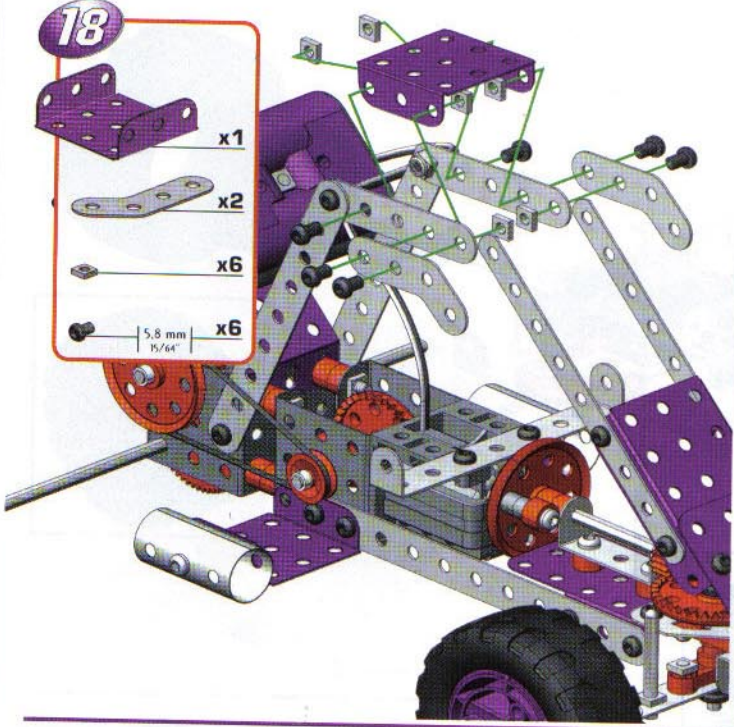





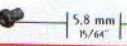
- 16**
- x1
 - x1
 - x2
 - x1
 - x4
 - 12 mm | 1/2" | x1
 - 5.8 mm | 15/64" | x3



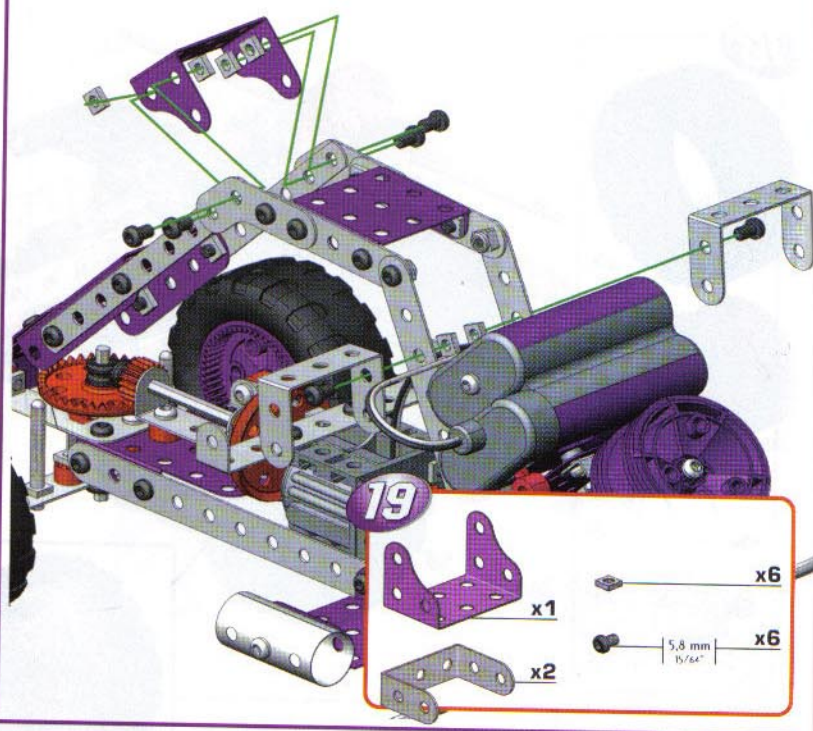
- 17**
- x2
 - x2
 - x4
 - 5.8 mm | 15/64" | x6




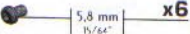
18



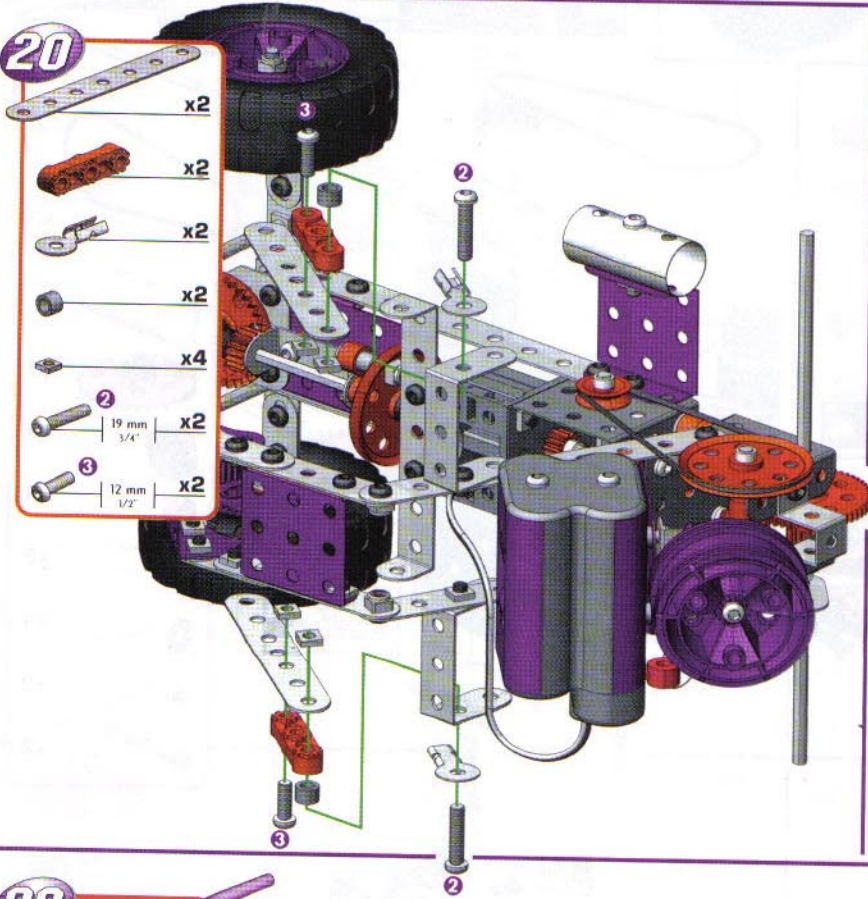
-  x1
-  x2
-  x6
-  x6







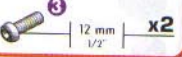
19



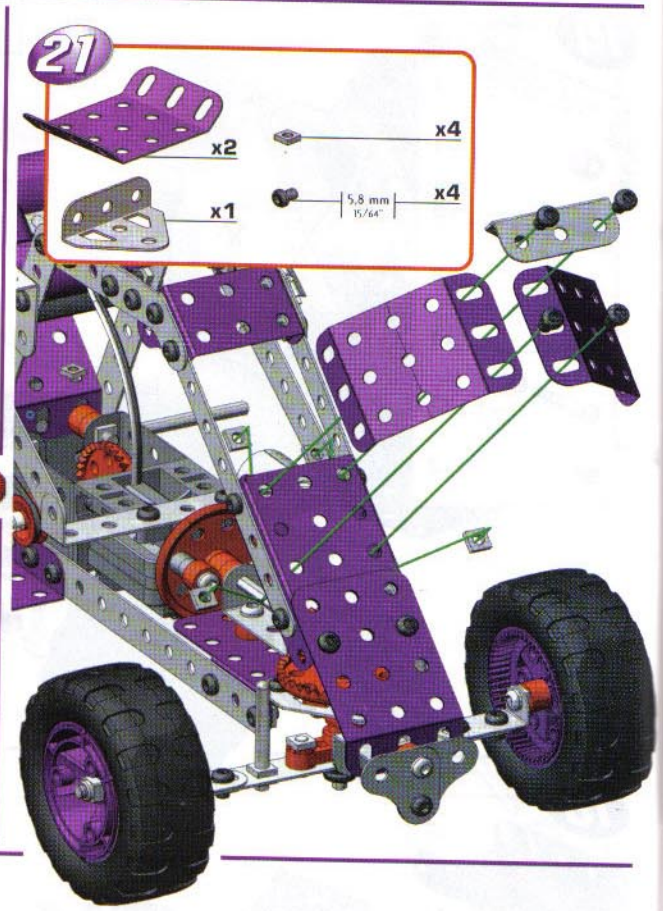
-  x1
-  x2
-  x6
-  x6




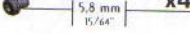
20



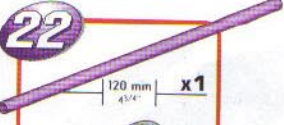



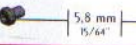
-  x2
-  x2
-  x2
-  x2
-  x4
-  x2
-  x2

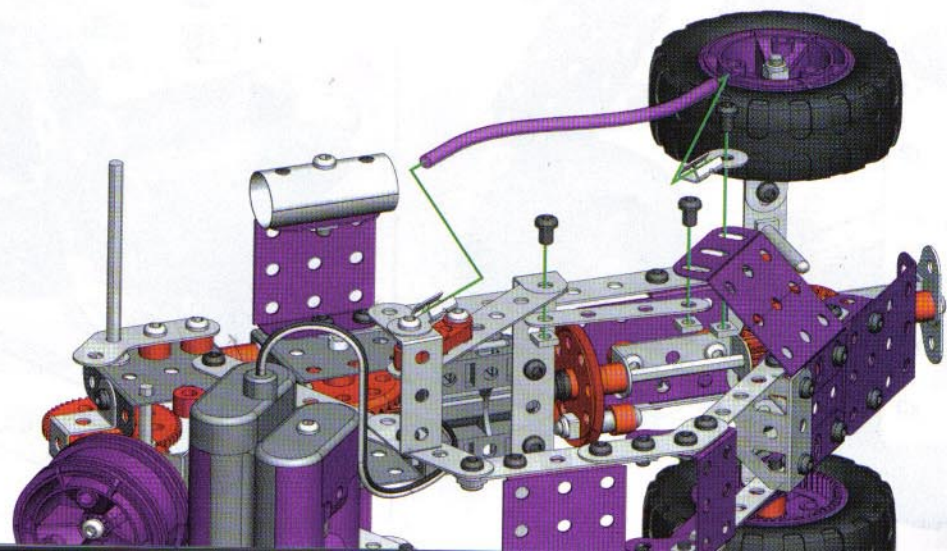
21



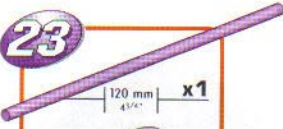



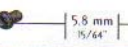
-  x2
-  x1
-  x4
-  x4

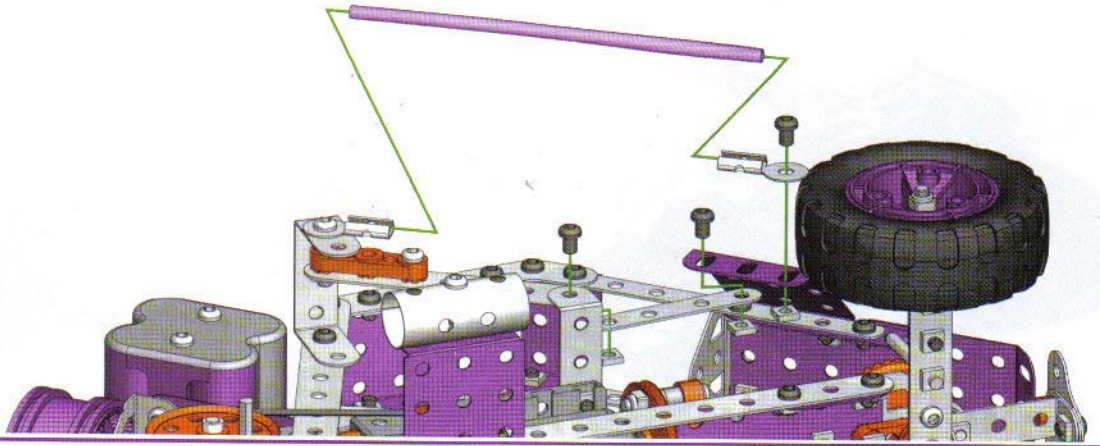
22

-  120 mm
4 3/4" x1
-  x1
-  x1
-  x3
-  x3

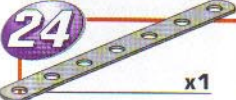




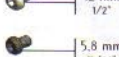












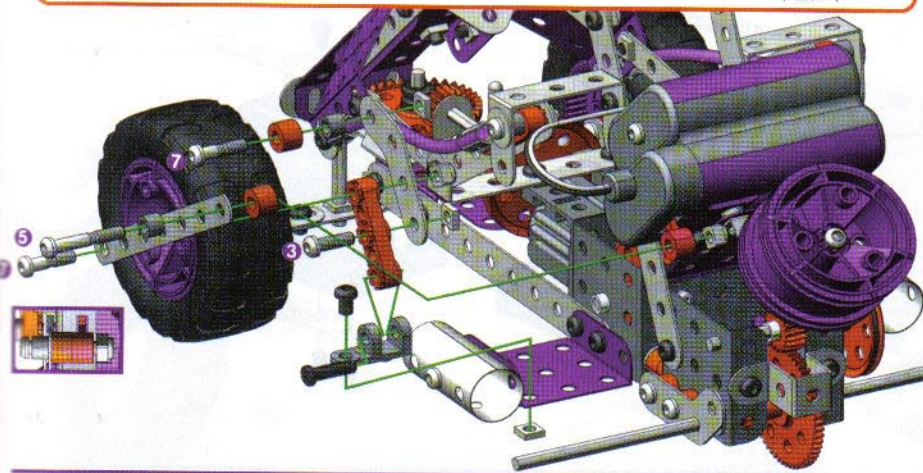
23

-  120 mm
4 3/4" x1
-  x1
-  x1
-  x3
-  5,8 mm
1/8" x3









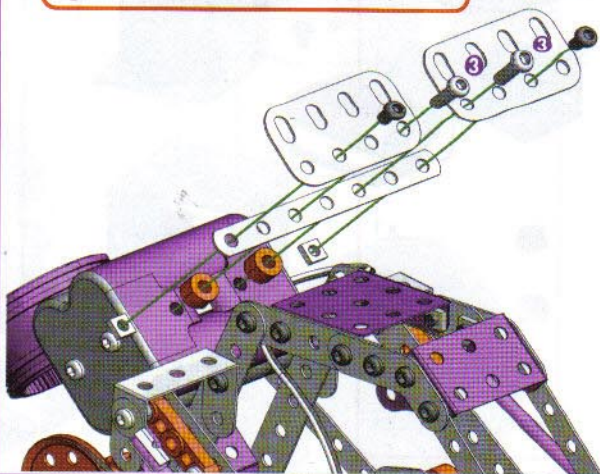
24

-  x1
-  x1
-  x1
-  23 mm
29/32" x1
-  14,7 mm
9/16" x2
-  12 mm
1/2" x1
-  5,8 mm
1/8" x1
-  x1
-  x2
-  x2
-  x2
-  x1
-  x1
-  x2
-  x3
-  x3


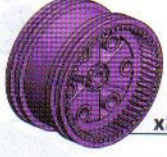




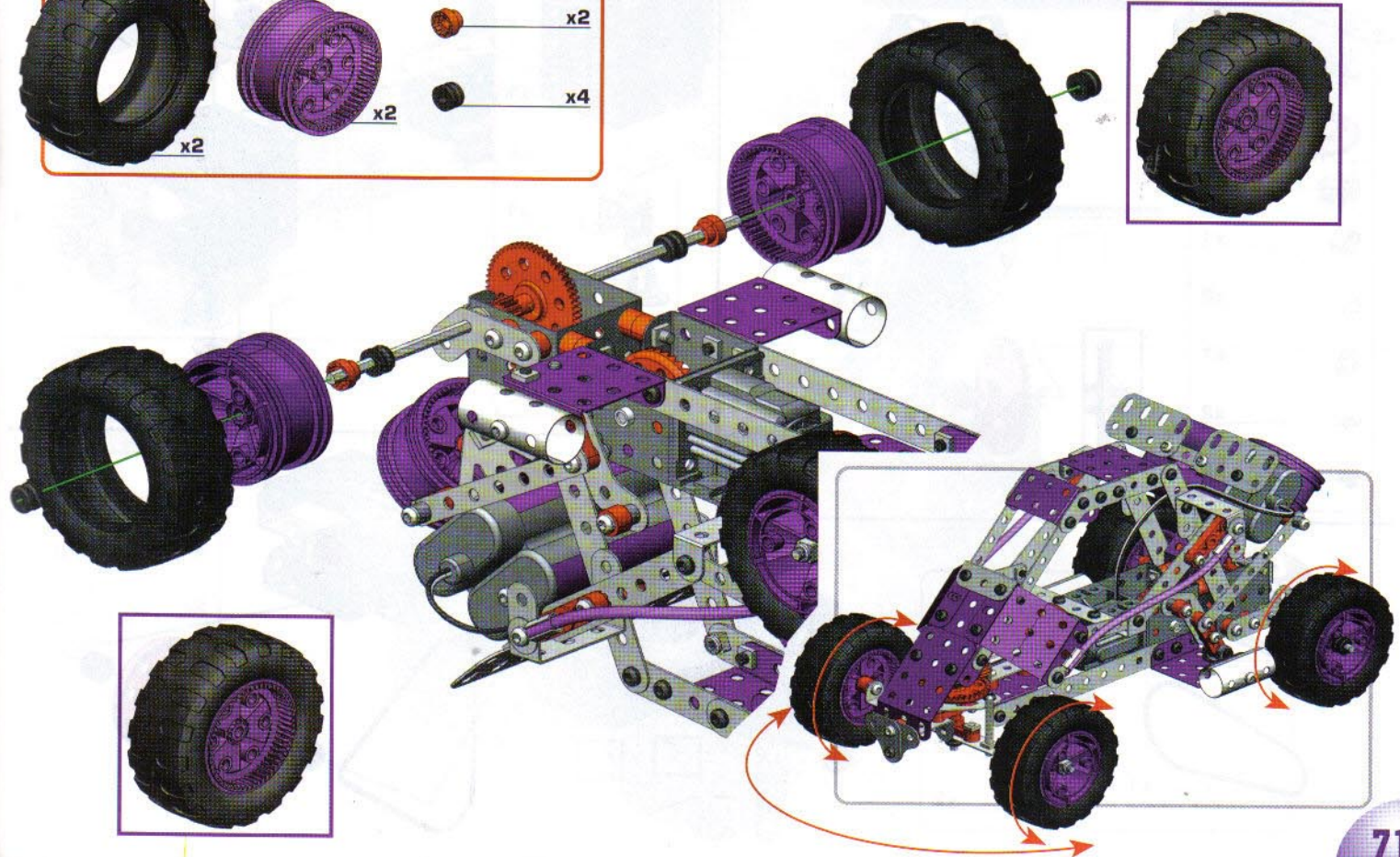
25

-  x1
-  x2
-  x2
-  12 mm
1/2" x2
-  x2
-  5,8 mm
1/8" x2



26

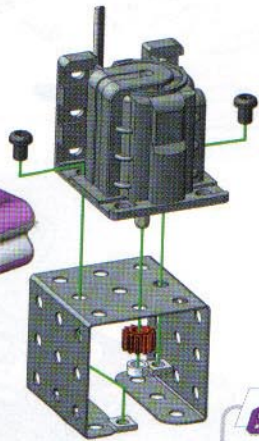
-  x2
-  x2
-  x2
-  x4





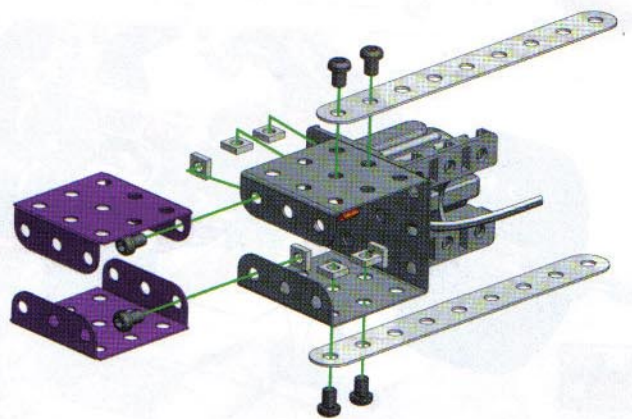
1

- x1
- x1
- x1
- x2
- x2
- x2



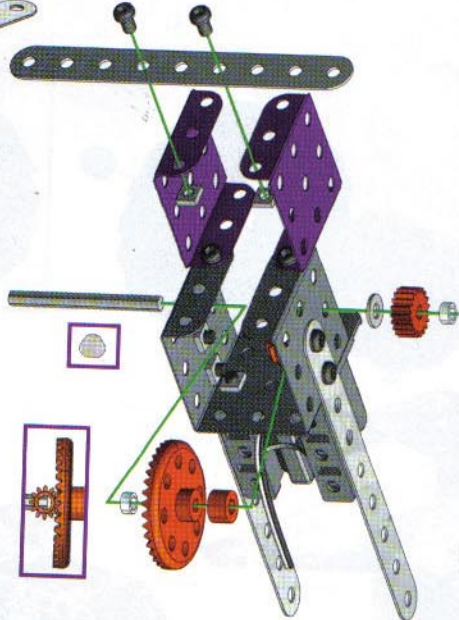
2

- x2
- x2
- x6
- x6



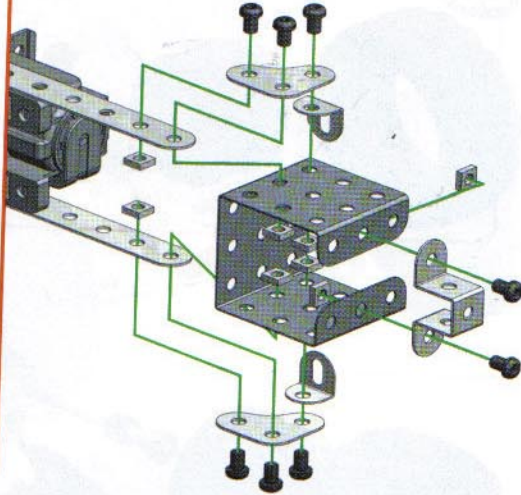
3

- x1
- x1
- x1
- x1
- x1
- x2
- x1
- x2
- x2



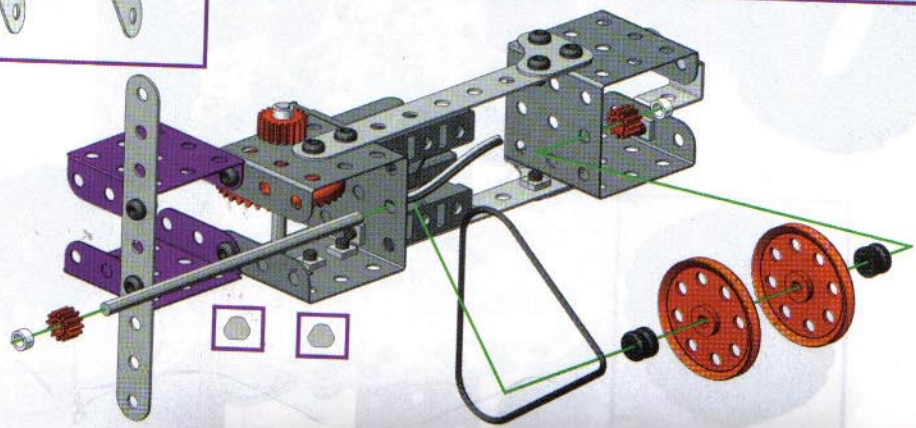
4

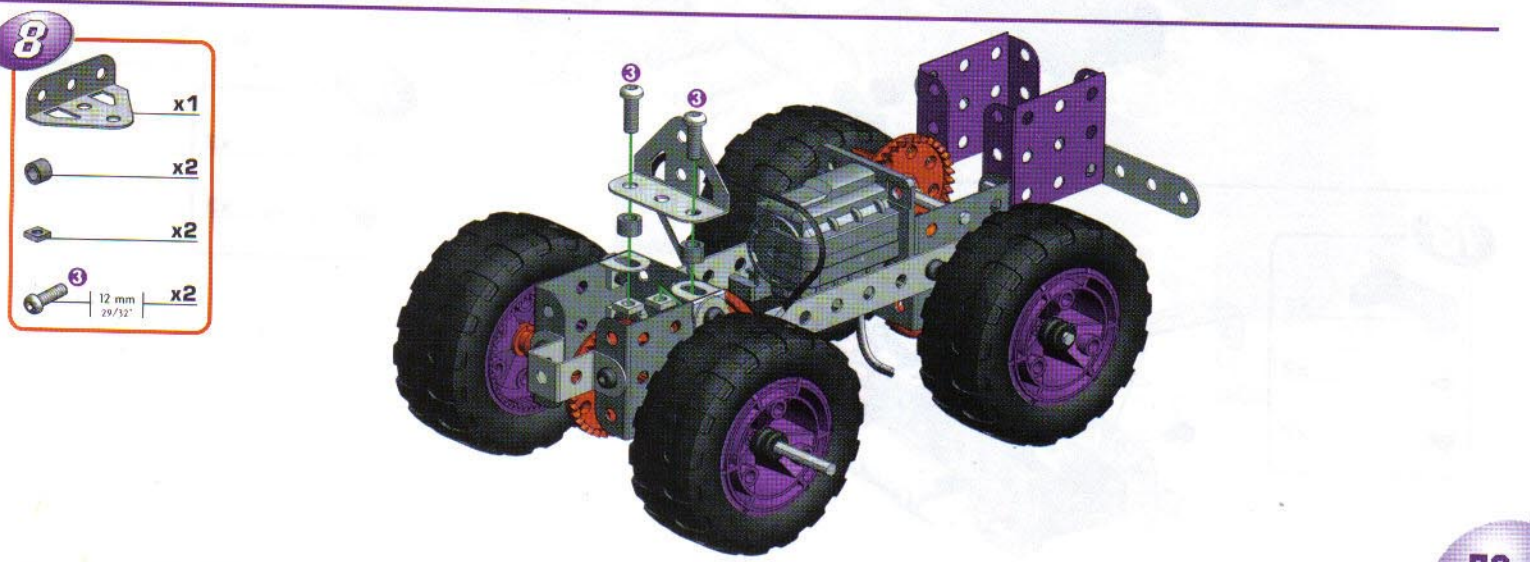
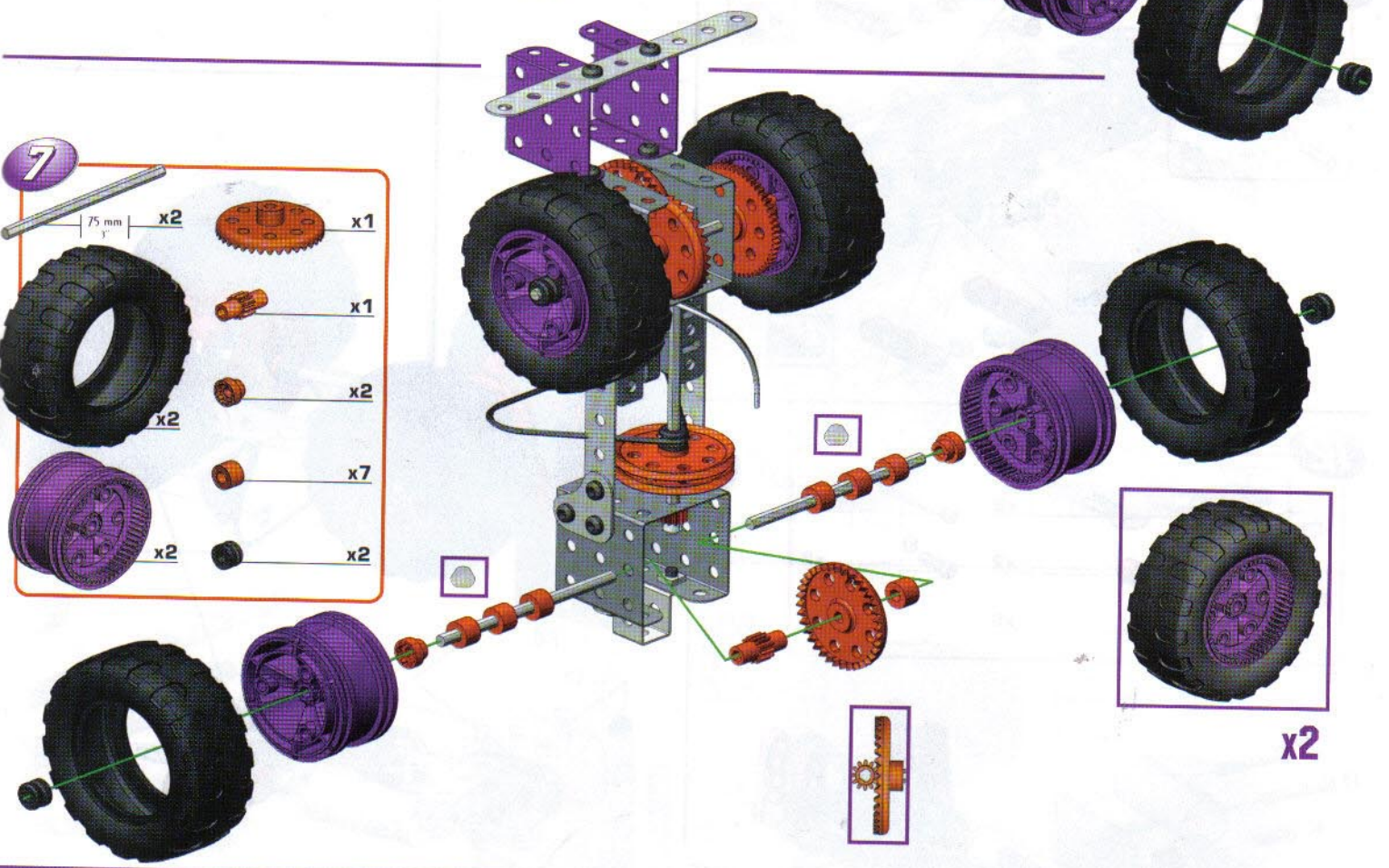
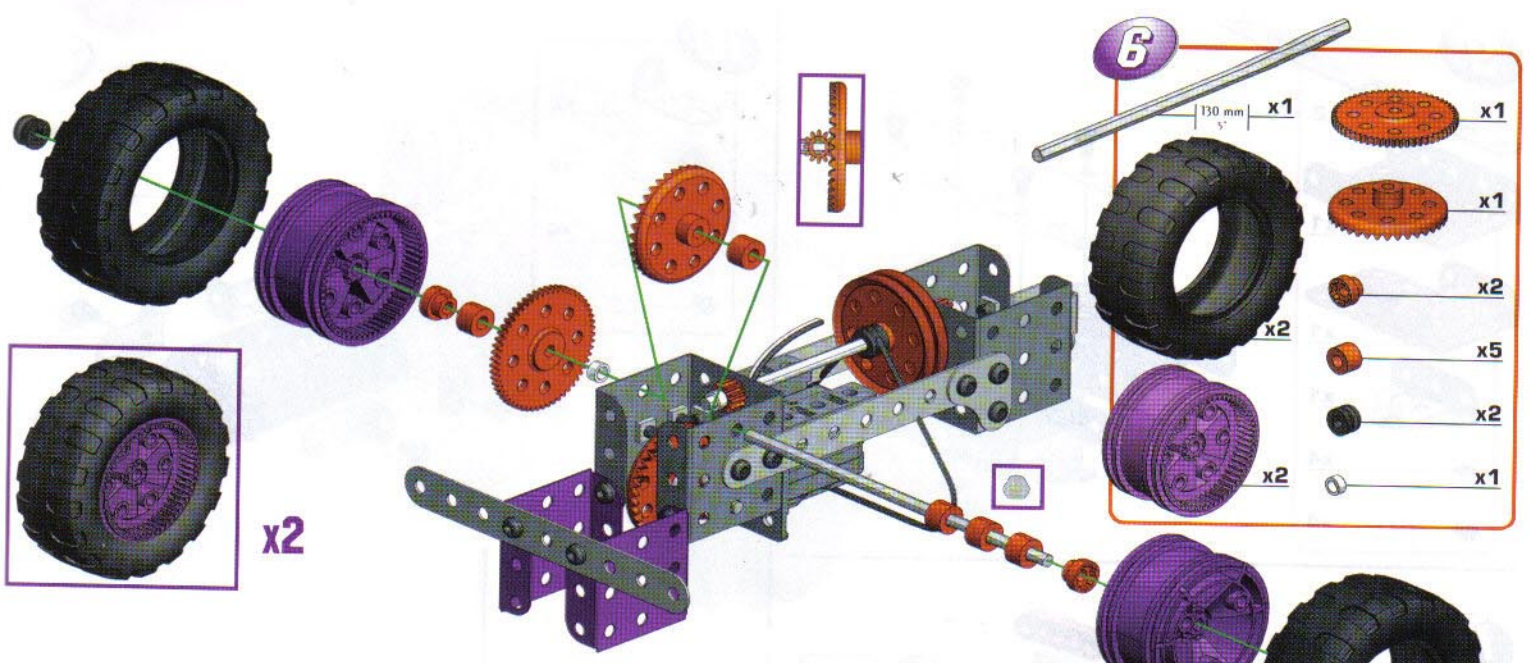
- x1
- x2
- x1
- x2
- x8
- x8



5

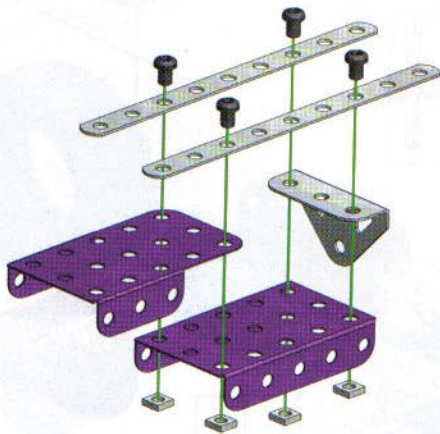
- x1
- x2
- x2
- x2
- x2





9

- x2
 - x1
 - x1
 - x1
 - x4
 - x4
- 5,8 mm
15/64"



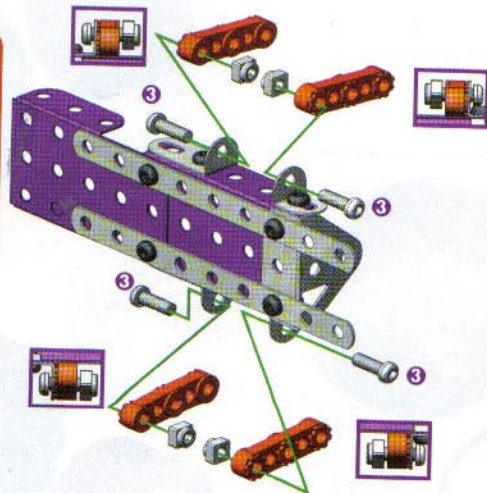
10

- x2
 - x2
 - x4
 - x4
- 5,8 mm
15/64"



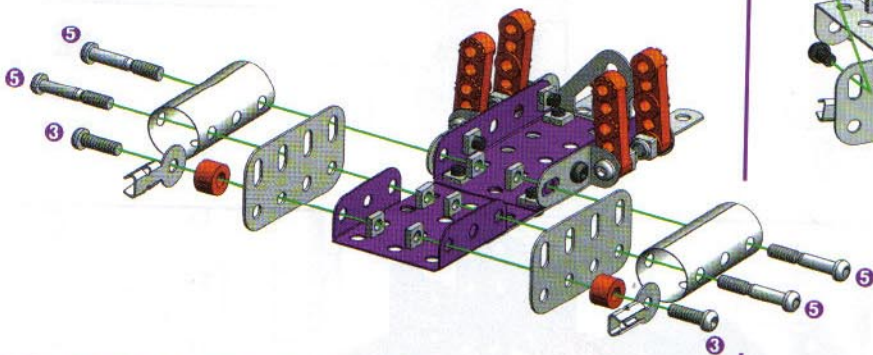
11

- x4
 - x4
 - x4
- 12 mm
1/2"



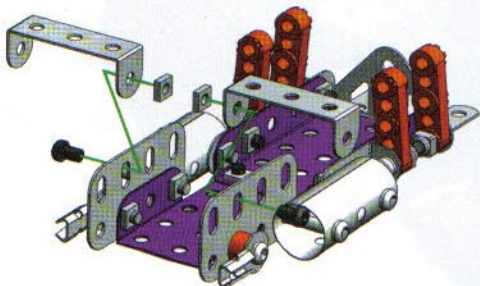
12

- x2
 - x2
 - x2
 - x6
 - x4
 - x2
- 23 mm
29/32"
- 12 mm
1/2"



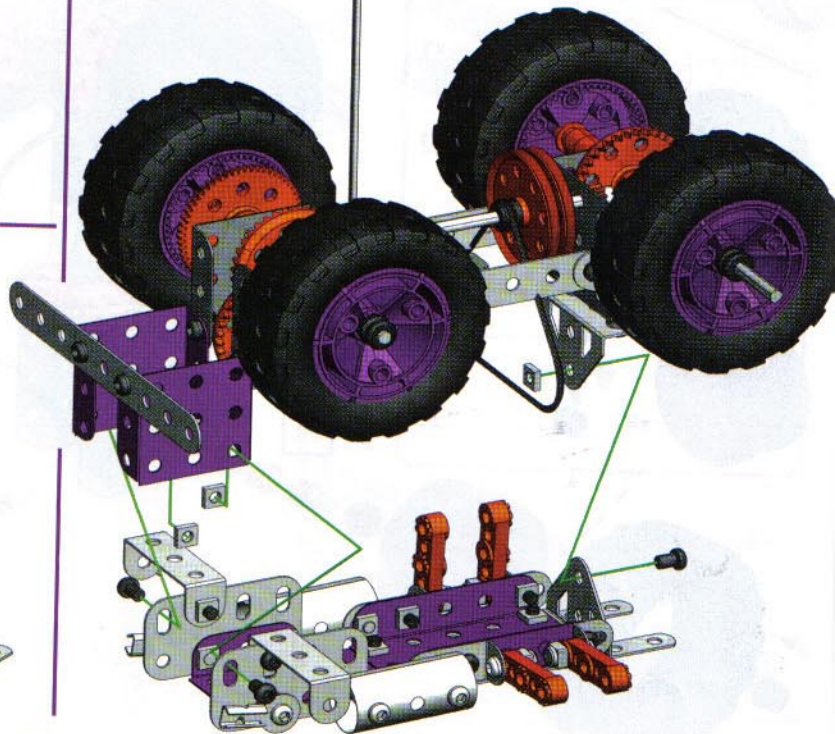
13

- x2
 - x2
 - x2
- 5,8 mm
15/64"






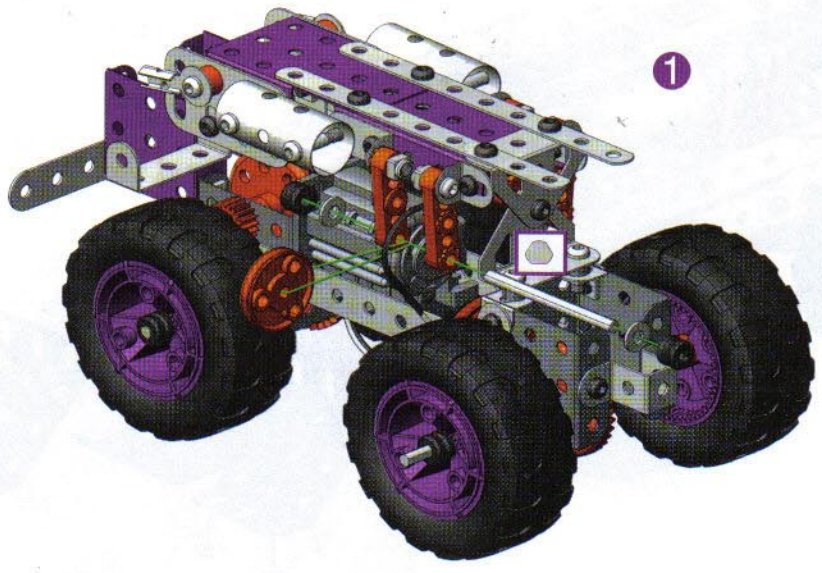
14

- x3
 - x3
- 5,8 mm
15/64"



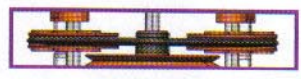
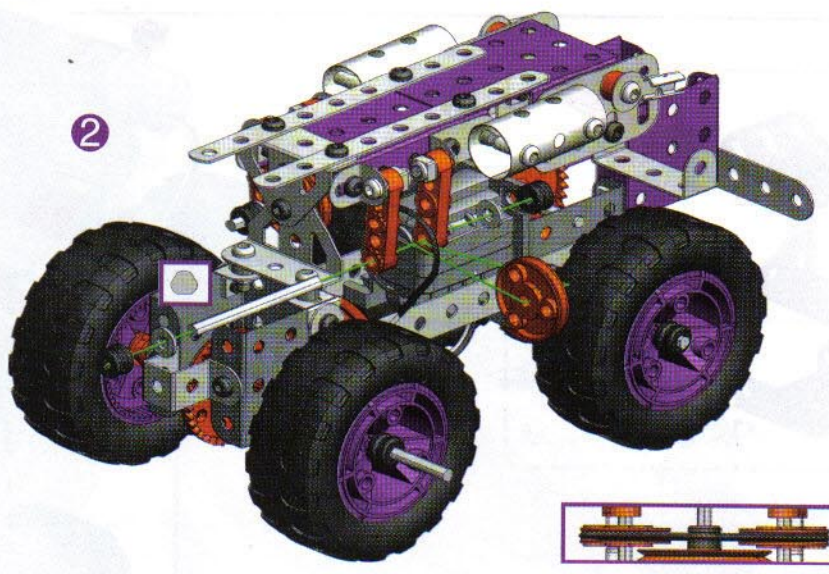
15

-  50 mm | x2
-  x2
-  x4
-  x4

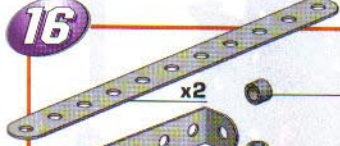

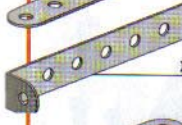








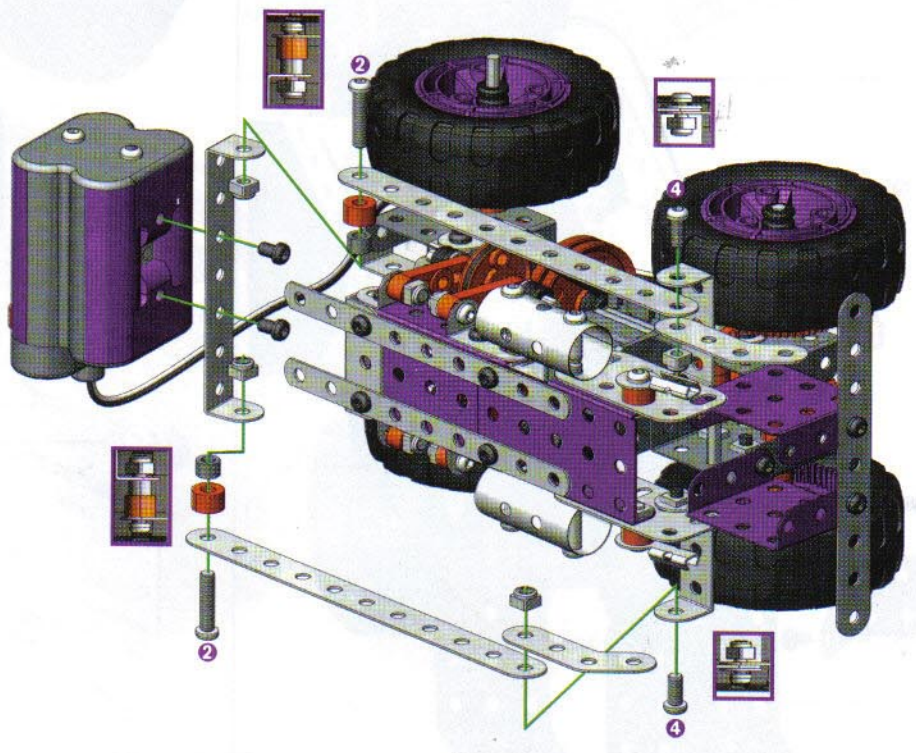
1




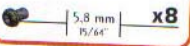
2

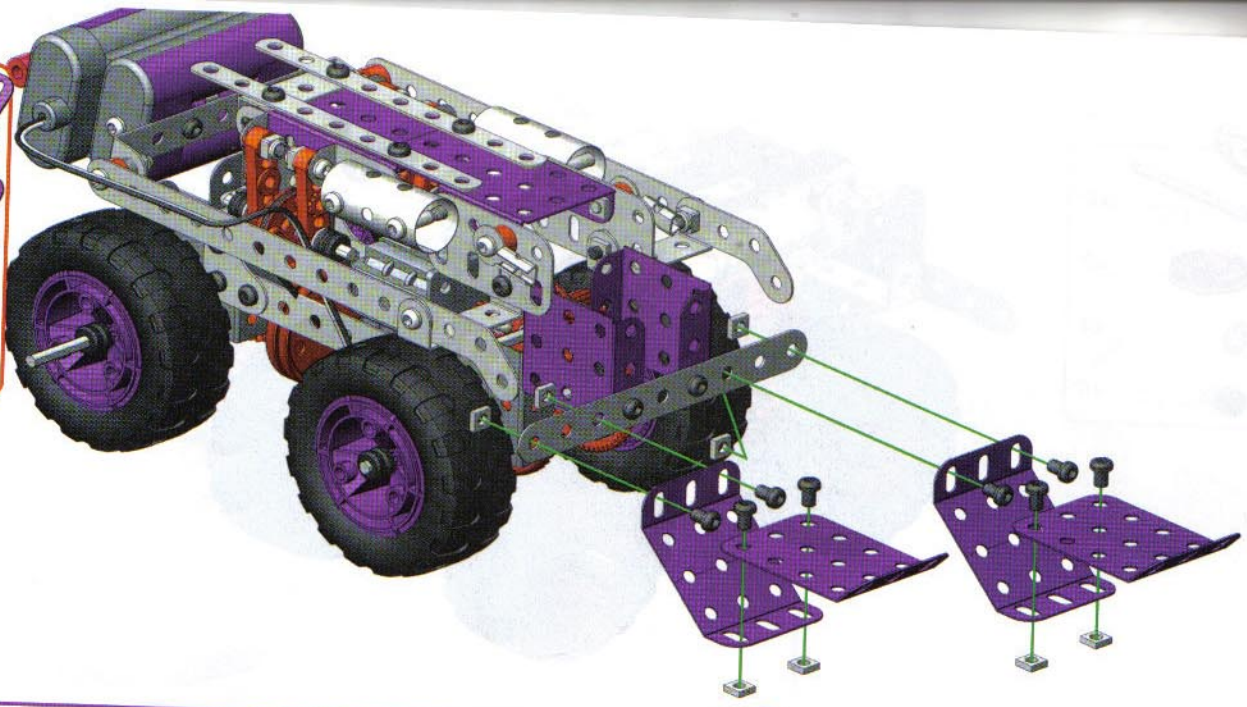



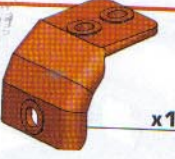




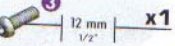
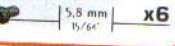
16

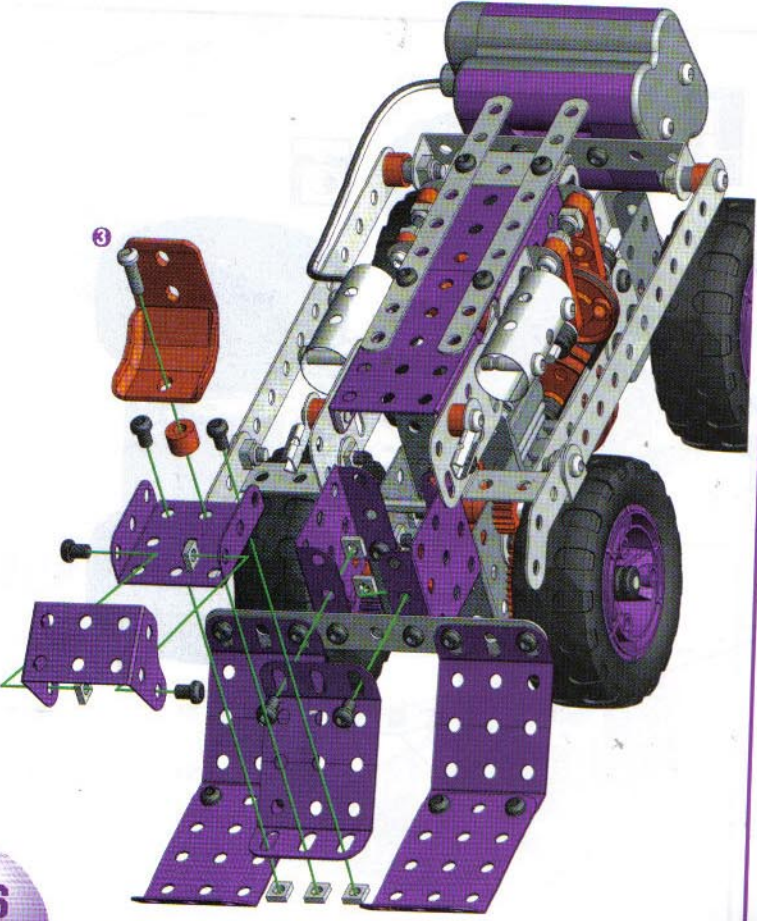
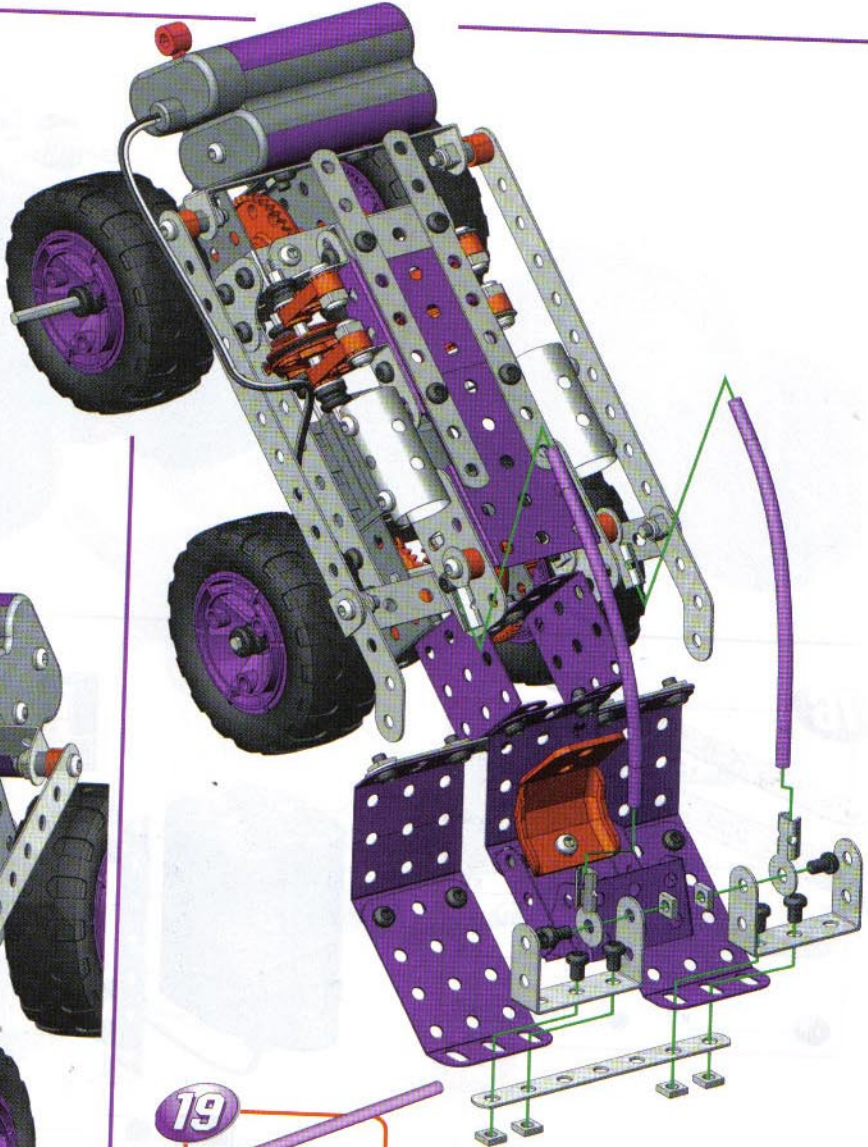
-  x2
-  x2
-  x1
-  x4
-  x2
-  19 mm | x2
-  9,5 mm | x2
-  x2
-  5,8 mm | x2

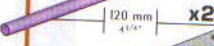




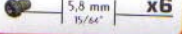


- 17**
-  x2
 -  x2
 -  x8
 -  5,8 mm | 15/64" x8






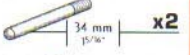
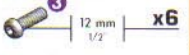
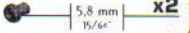


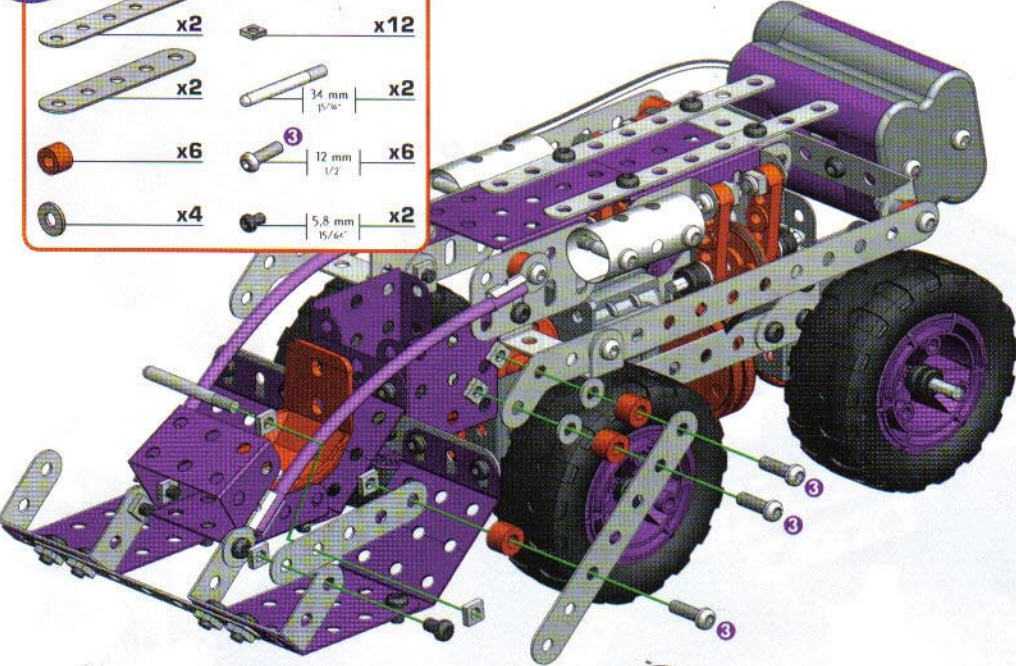
- 18**
-  x1
 -  x1
 -  x1
 -  x1
 -  x7
 -  x1
 -  12 mm | 1/2" x1
 -  5,8 mm | 15/64" x6



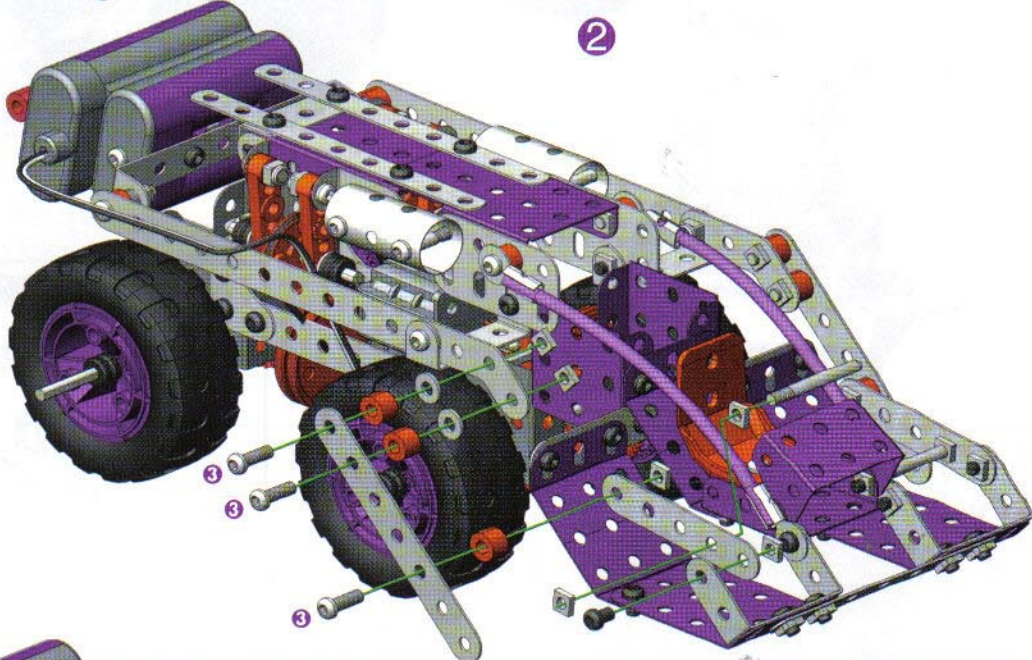
- 19**
-  120 mm | 4 3/4" x2
 -  x1
 -  x2
 -  x2
 -  x6
 -  5,8 mm | 15/64" x6

20

-  x2
-  x2
-  x6
-  x4
-  x12
-  34 mm 1 5/16" x2
-  12 mm 1/2" x6
-  5,8 mm 5/64" x2








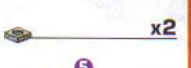
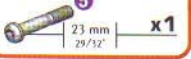


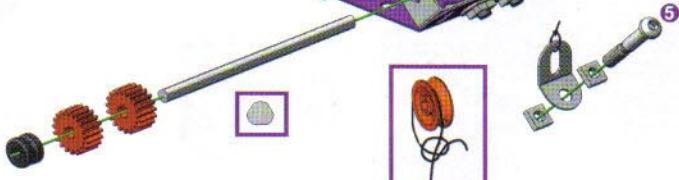
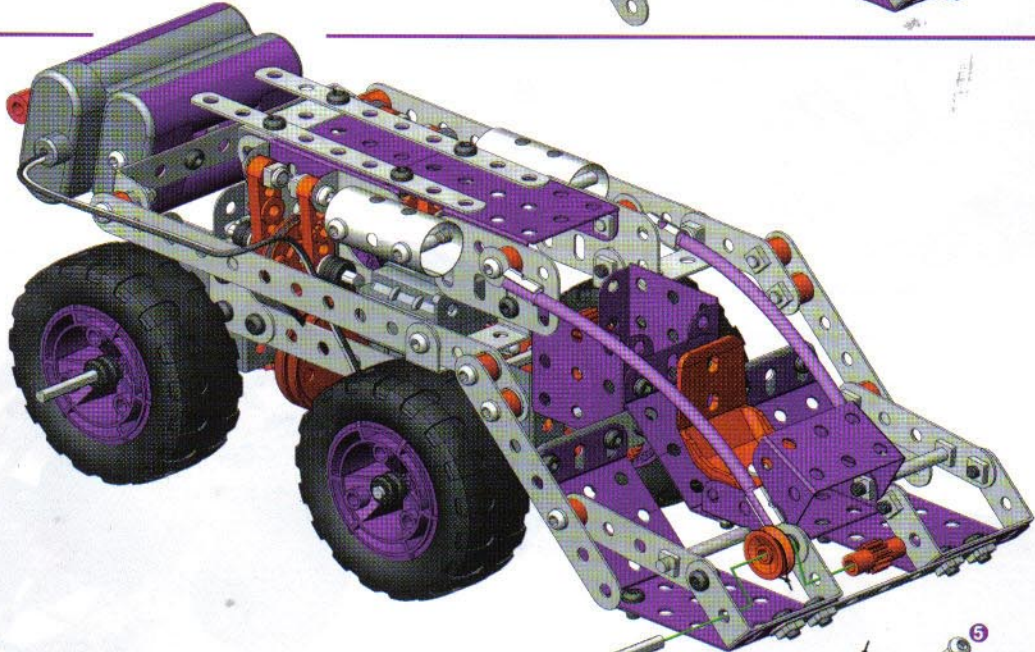
1








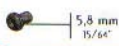
2

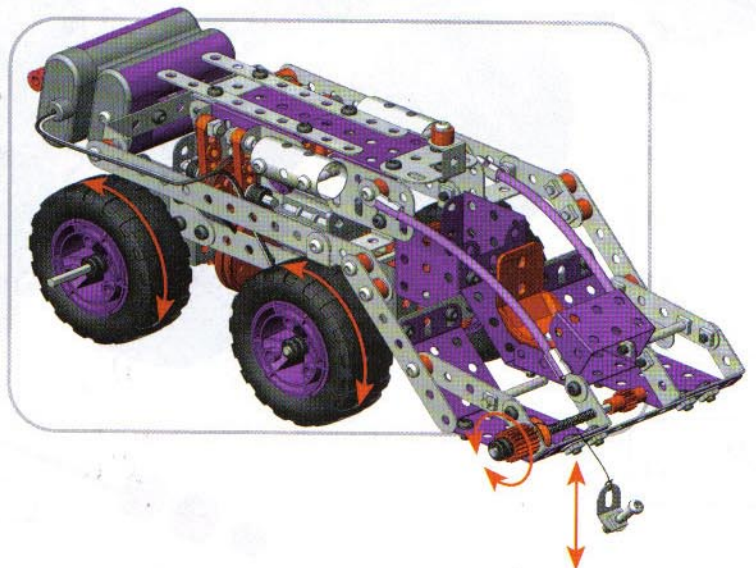
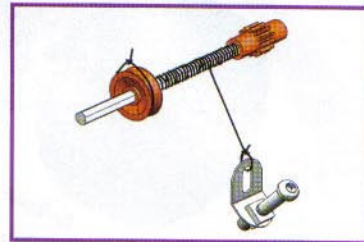
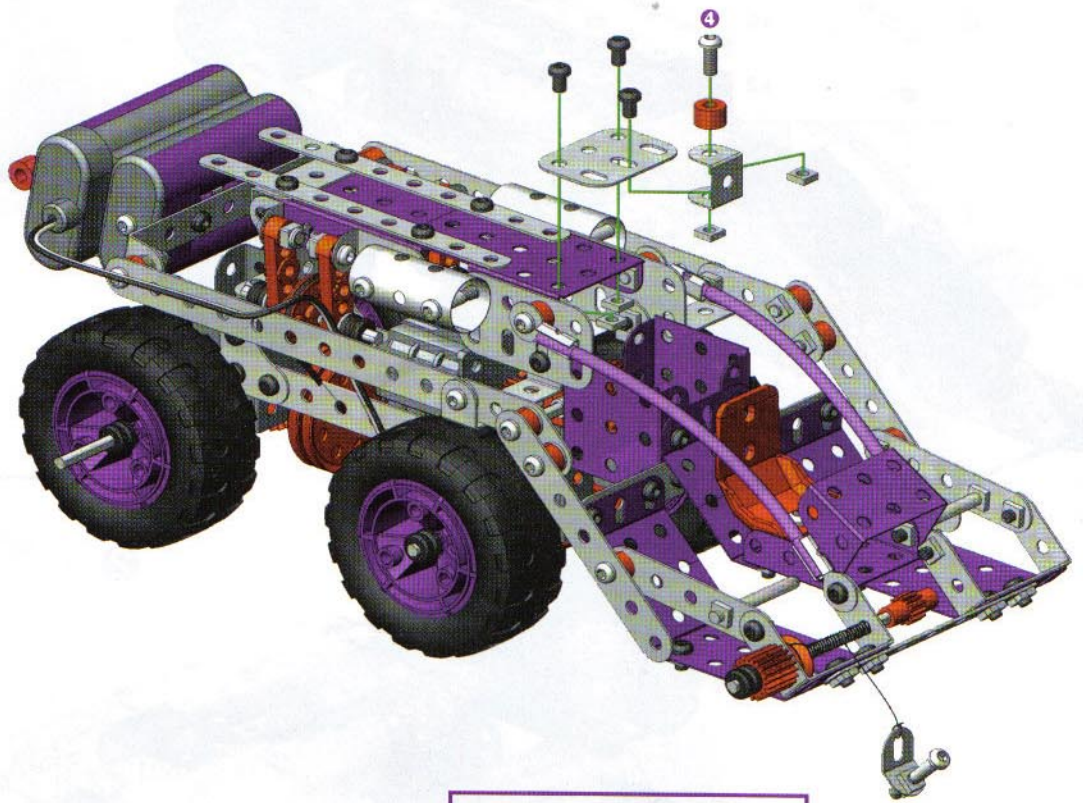
21

-  75 mm 3" x1
-  1,50 m 60" x1
-  x1
-  x2
-  x1
-  x1
-  x1
-  x2
-  23 mm 29/32" x1



22

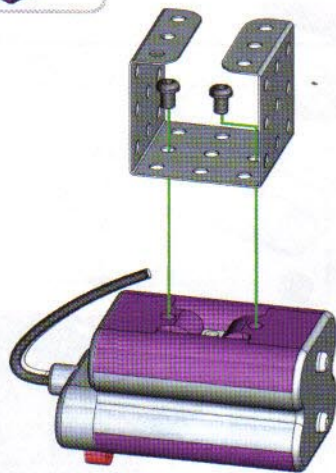
-  x1
-  x1
-  x1
-  x4
-  x1
-  x3





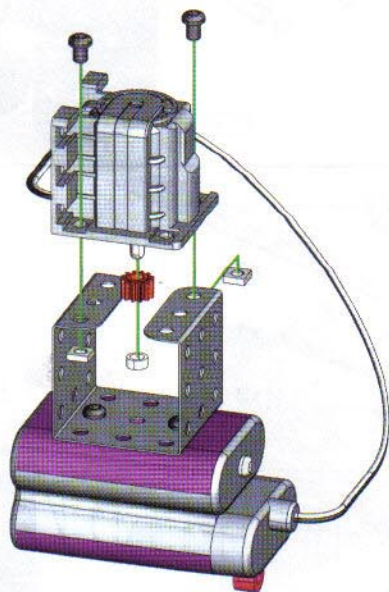
1

- x1
- x1
- x2



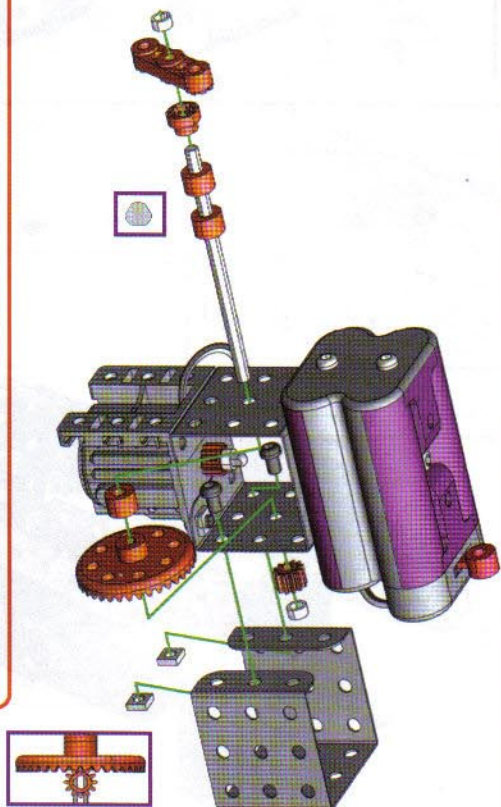
2

- x1
- x1
- x2
- x2



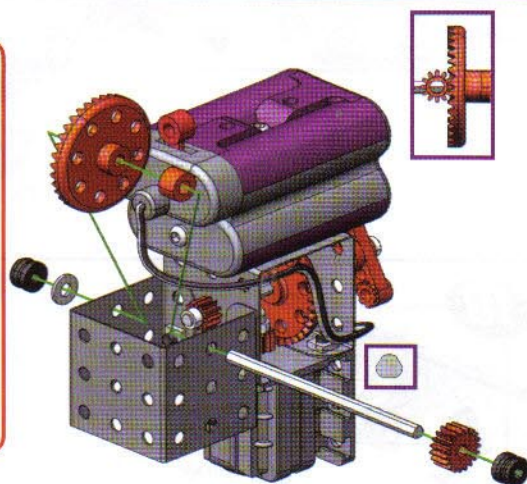
3

- x1
- x1
- x1
- x1
- x1
- x1
- x3
- x2
- x2
- x2



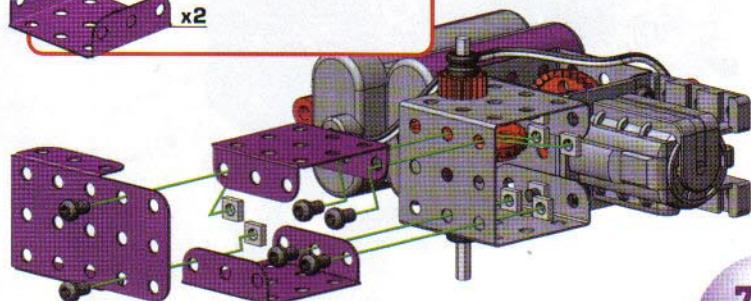
4

- x1
- x1
- x1
- x2
- x1
- x1
- x1

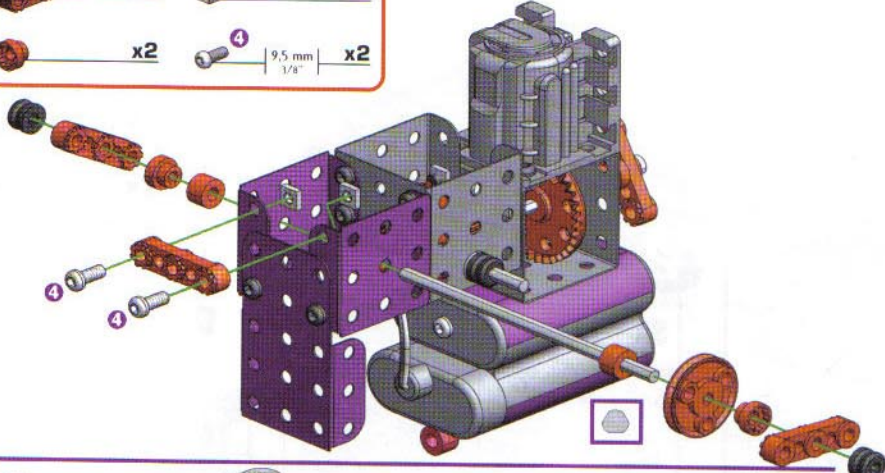


5

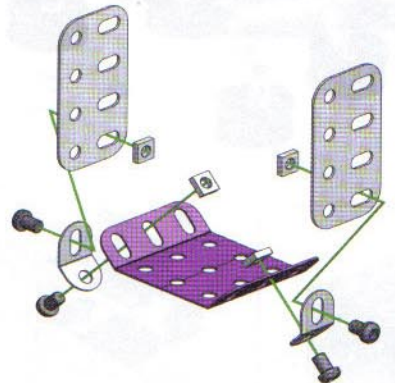
- x1
- x2
- x6
- x6



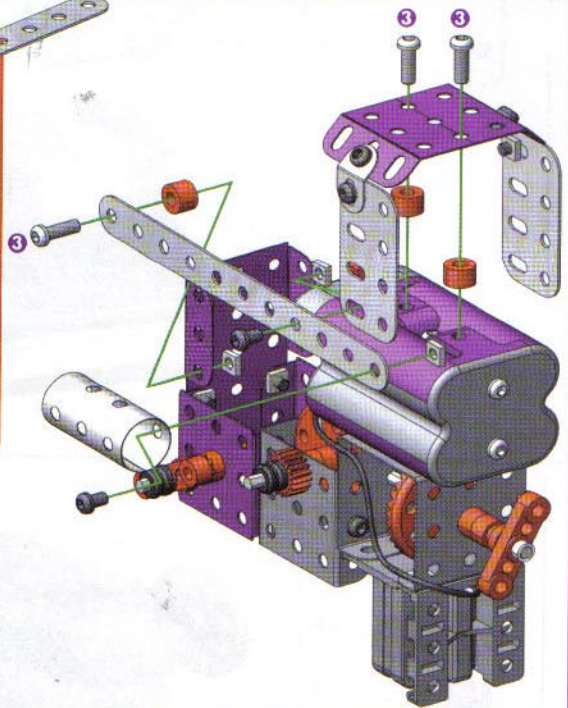
- 6**
- 100 mm x1
 - x1
 - x1
 - x3
 - x2
 - x2
 - x2
 - 9.5 mm 1/8" x2



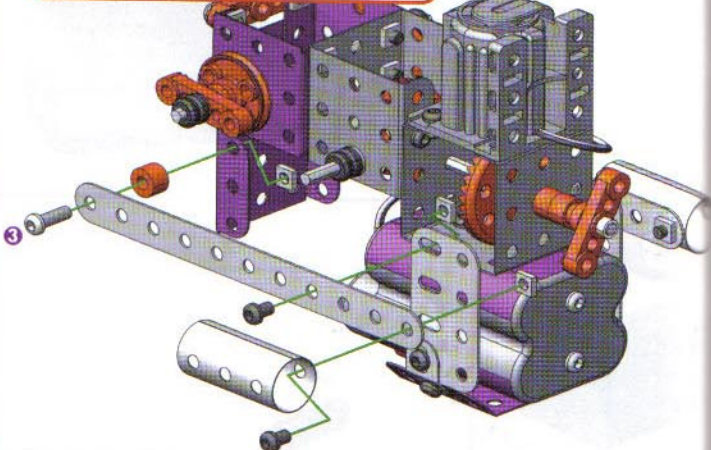
- 7**
- x1
 - x2
 - x2
 - x4
 - 5.8 mm 5/64" x4



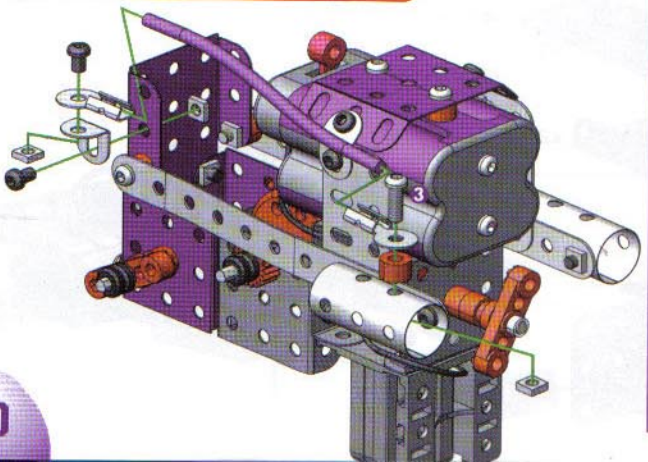
- 8**
- x1
 - x1
 - x3
 - x3
 - 12 mm 1/2" x3
 - 5.8 mm 5/64" x2



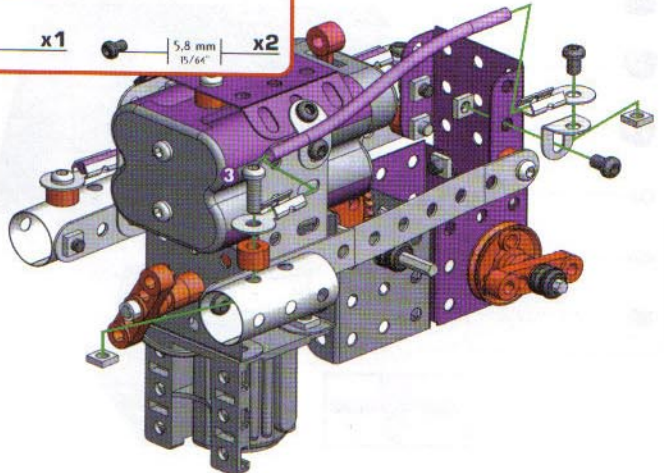
- 9**
- x1
 - x1
 - x1
 - x3
 - 12 mm 1/2" x1
 - 5.8 mm 5/64" x2



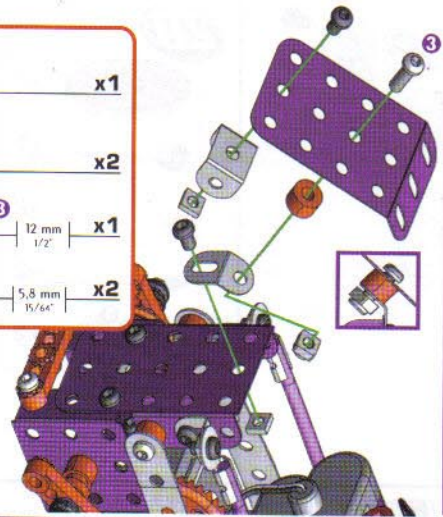
- 10**
- 120 mm 4 1/4" x1
 - x1
 - x2
 - x1
 - x3
 - 12 mm 1/2" x1
 - 5.8 mm 5/64" x2



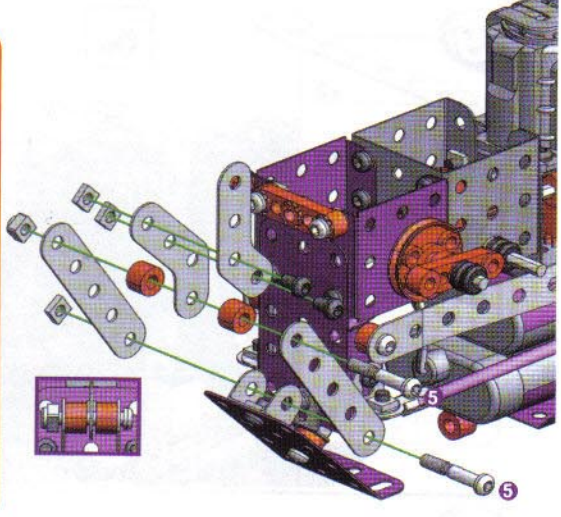
- 11**
- 120 mm 4 1/4" x1
 - x1
 - x2
 - x1
 - x3
 - 12 mm 1/2" x1
 - 5.8 mm 5/64" x2



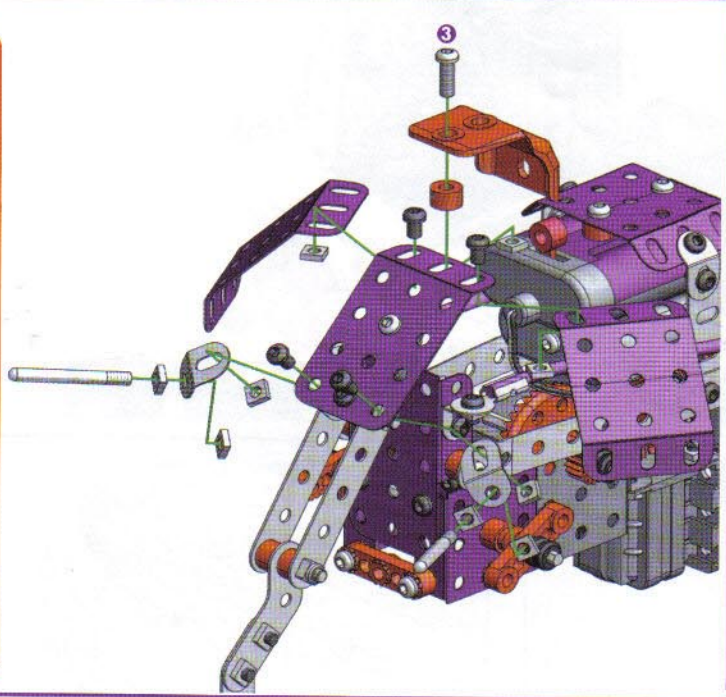
- 12**
- x1
 - x1
 - x1
 - x1
 - x1
 - x1
 - x2
 - x1
 - x2



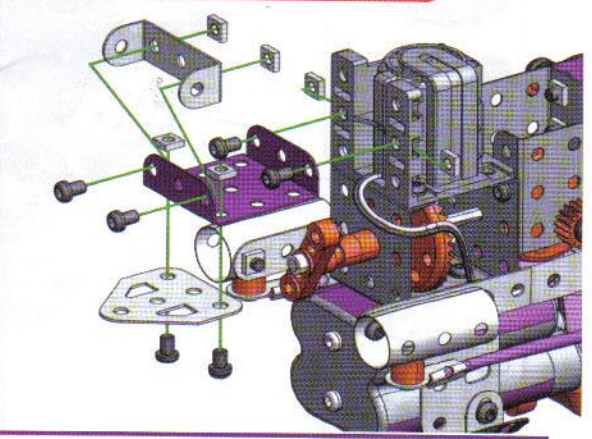
- 13**
- x2
 - x2
 - x2
 - x1
 - x3
 - x2
 - x2



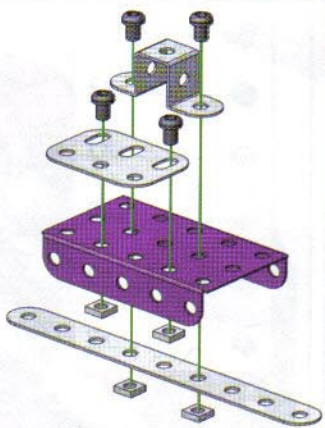
- 14**
- x2
 - x1
 - x2
 - x2
 - x1
 - x9
 - x1
 - x4



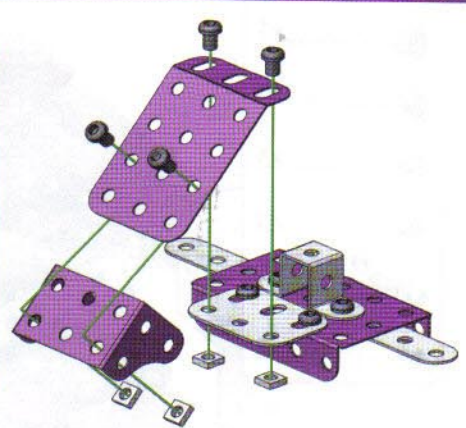
- 15**
- x1
 - x1
 - x6
 - x1
 - x6



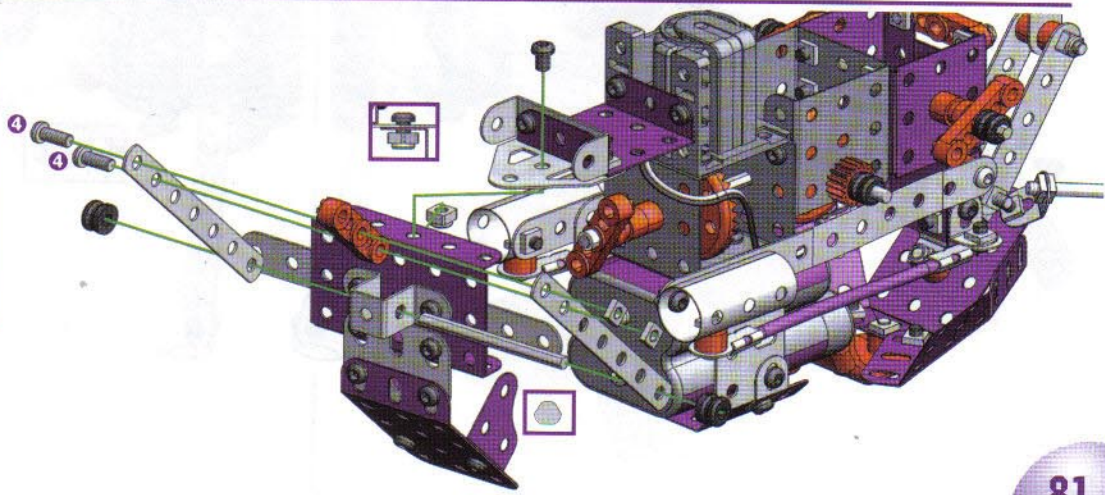
- 16**
- x1
 - x1
 - x1
 - x4
 - x1
 - x4




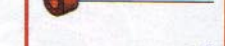

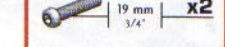
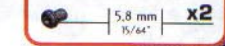


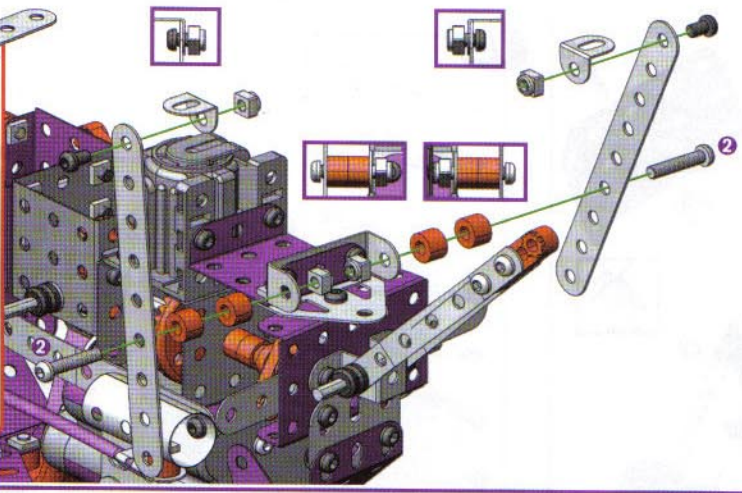
- 17**
- x1
 - x1
 - x4
 - x4





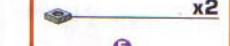



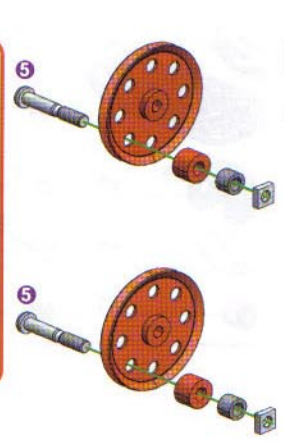
- 18**
- x2
 - x1
 - x1
 - x2
 - x1
 - x2
 - x2
 - x1








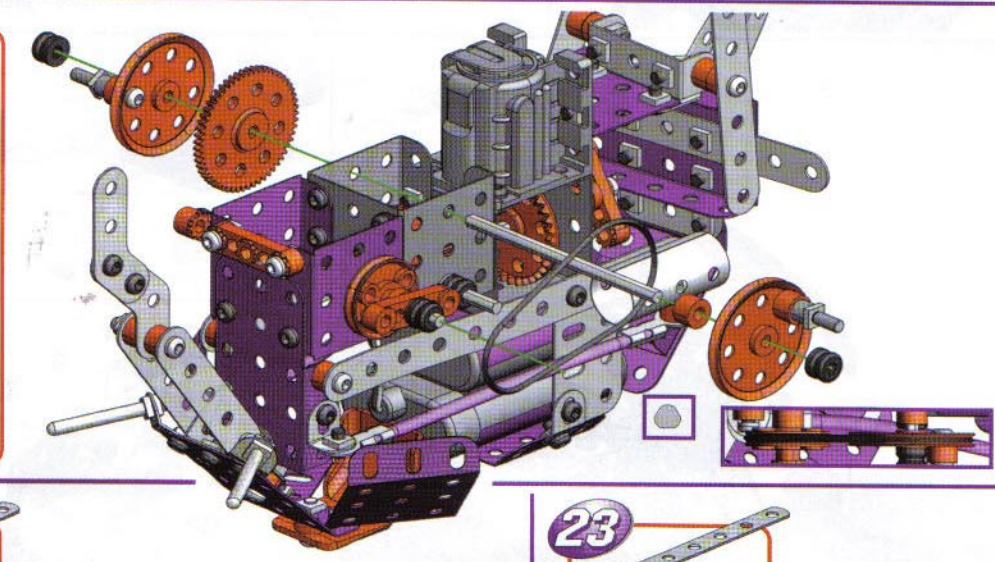
- 19**
-  x2
 -  x2
 -  x4
 -  x4
 -  x2
 -  x2
 -  x2








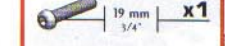




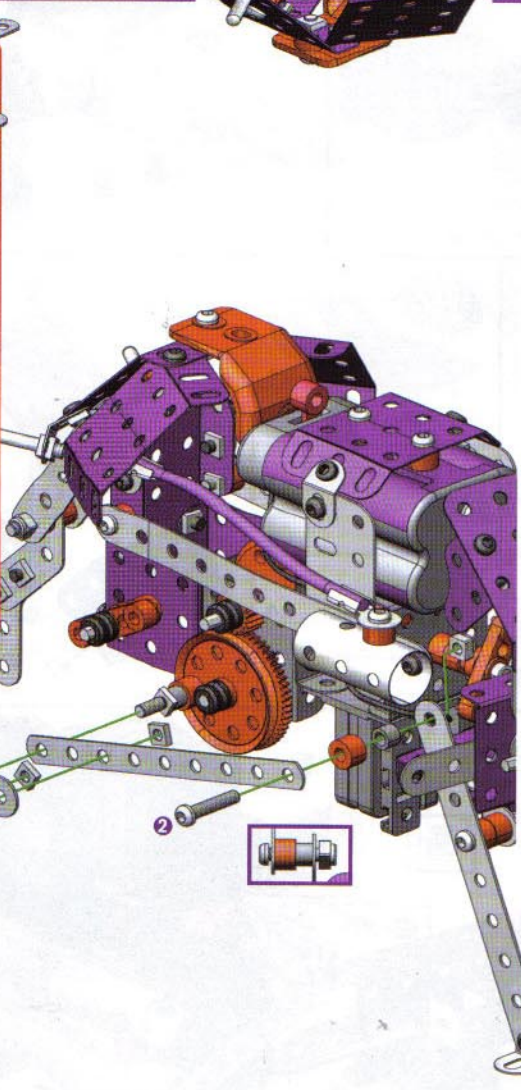
- 20**
-  x2
 -  x2
 -  x2
 -  x2
 -  x2
 -  x2







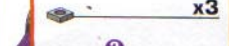
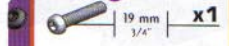
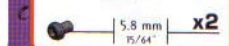



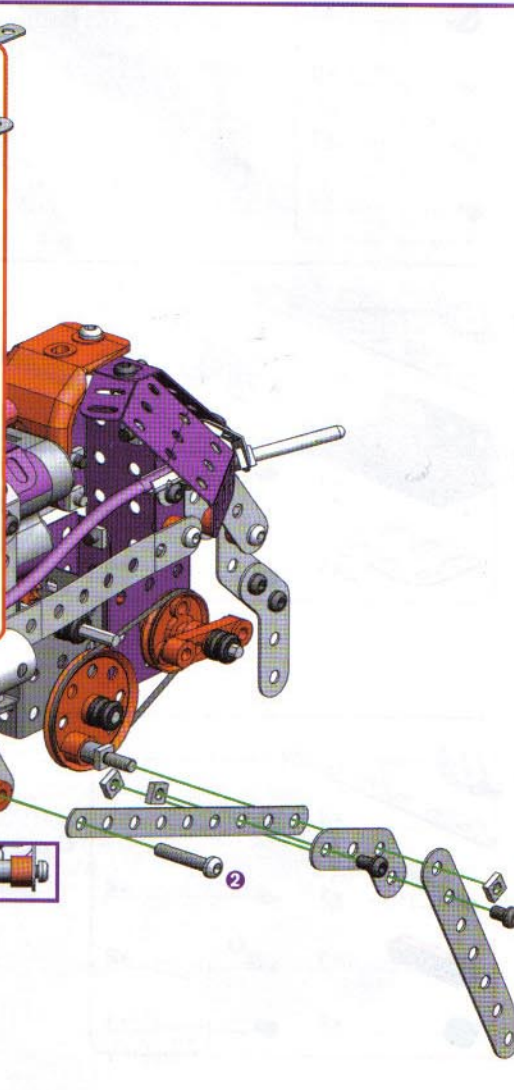
- 21**
-  x1
 -  x1
 -  x1
 -  x2
 -  x1







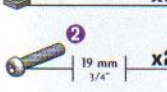
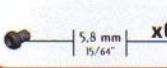
- 22**
-  x1
 -  x1
 -  x1
 -  x1
 -  x1
 -  x1
 -  x1
 -  x3
 -  x1
 -  x2

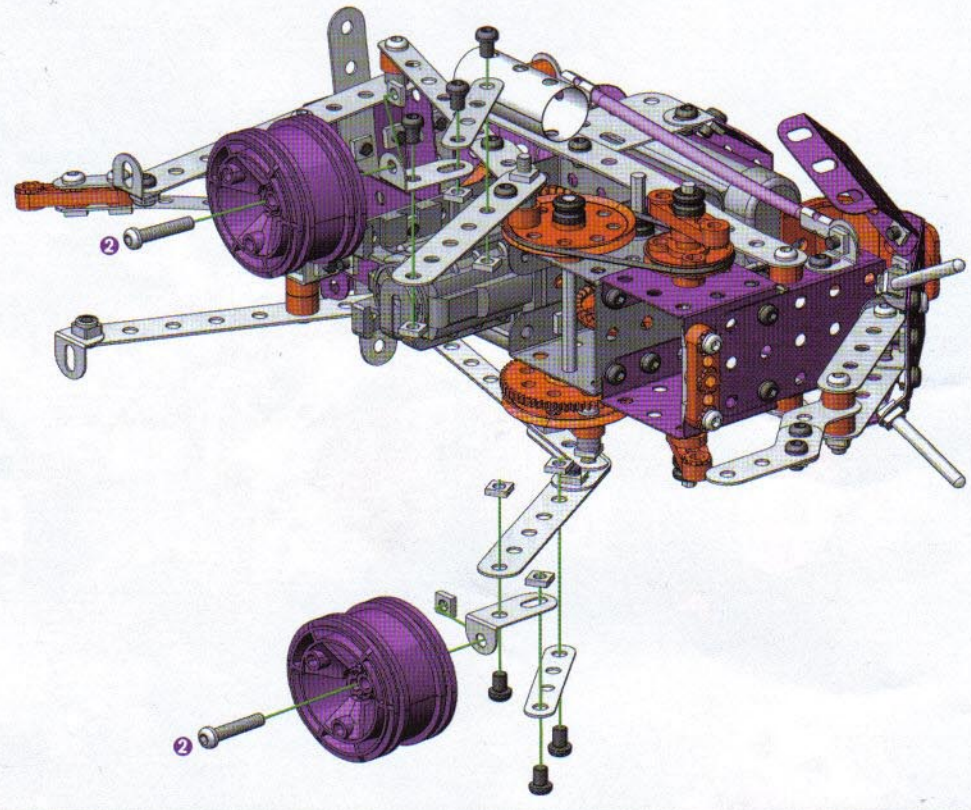


- 23**
-  x1
 -  x1
 -  x1
 -  x1
 -  x1
 -  x1
 -  x1
 -  x3
 -  x1
 -  x2






24

-  x2
-  x2
-  x2
-  x8
-  19 mm | 3/4" | x2
-  5,8 mm | 15/64" | x6



25

-  x2
-  x2
-  28 mm | 1" | x2

