

Instructions
Notice de montage
Bauanleitung
istruzioni di montaggio
Instrucciones de montaje
Instruções de montagem
Monteringsanvisning
Kokoamisohje
Monterings instruktioner
Montagehandleiding
Οδηγίες συναρμολόγησης.
組立説明書

DESIGN
RADIO CONTROL



#8701

人 8-15





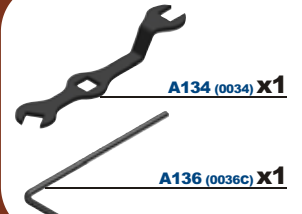
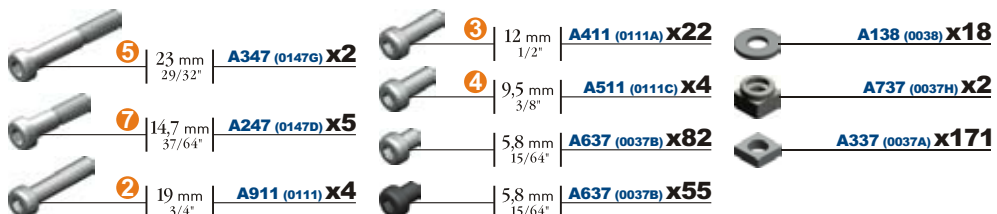
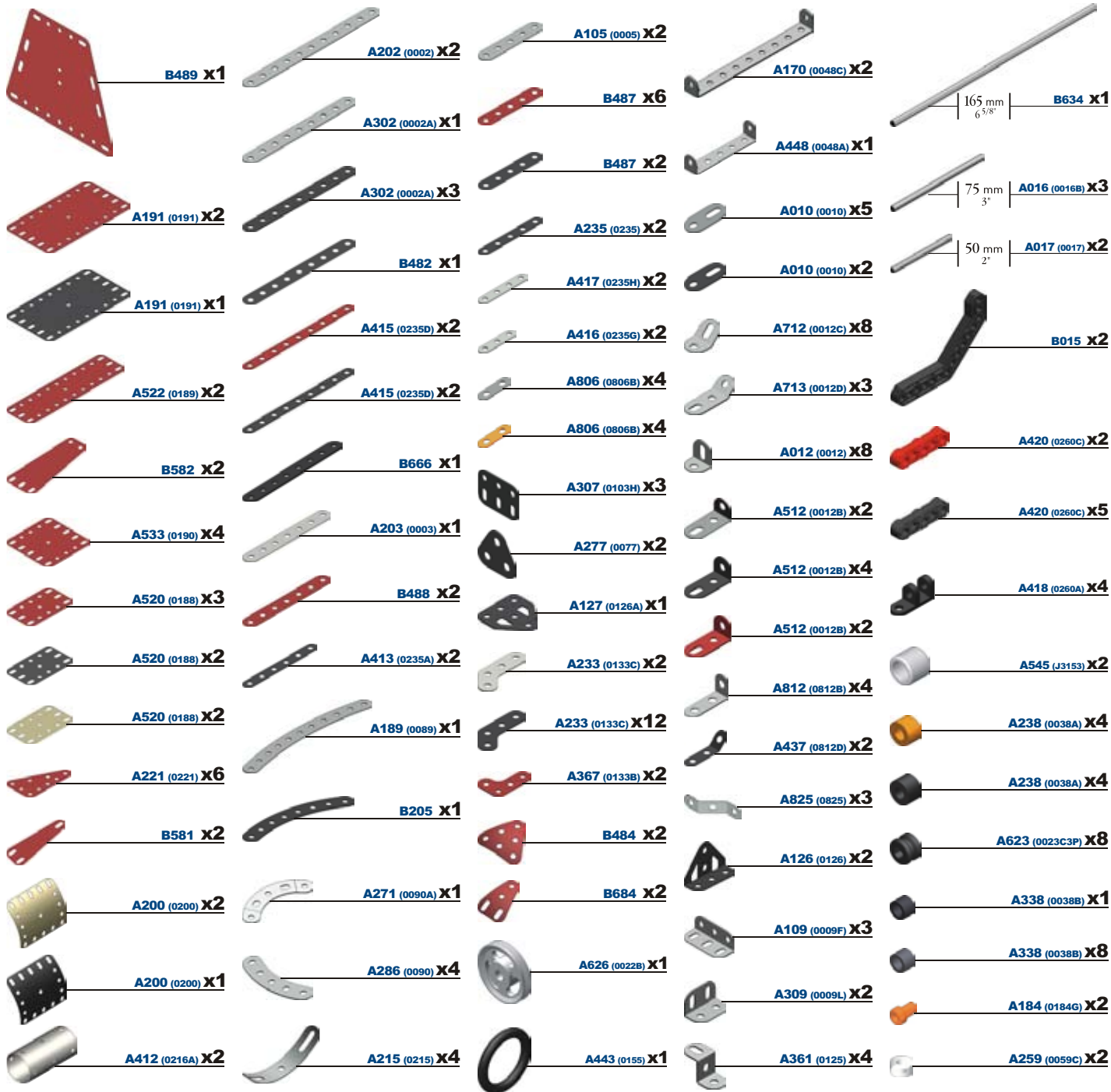
p. 6

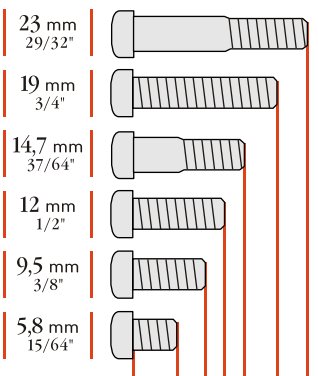
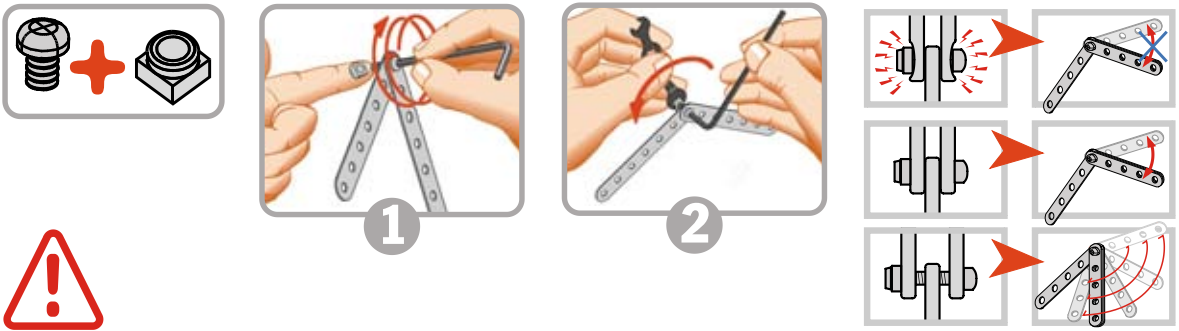
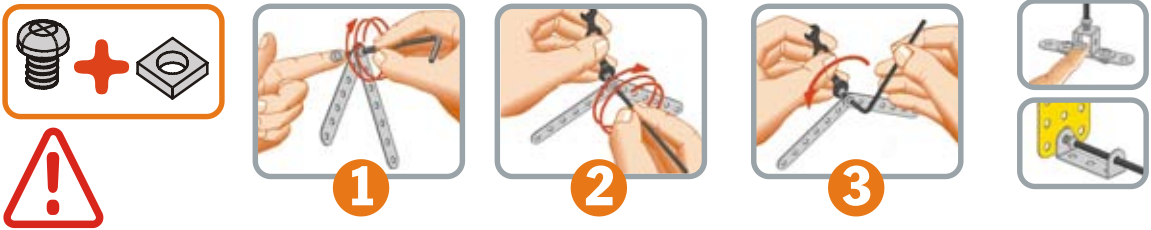
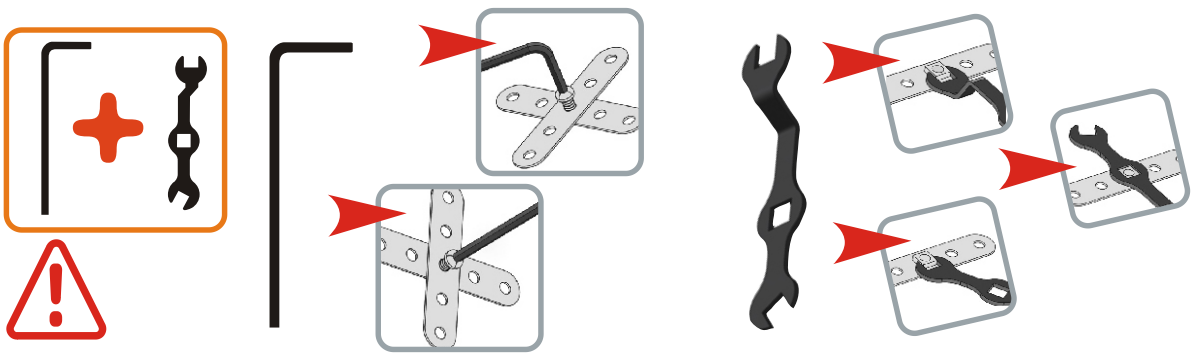


p. 18



p. 30



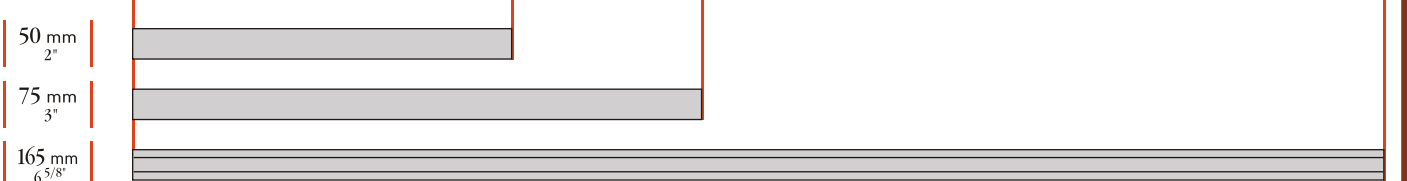
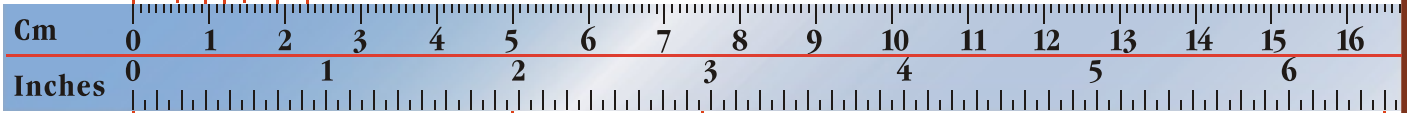


Scale
Echelle
Maßstab
Scala

Escala
Schaal
Escala
Skala

Mittakaava
Målestok
Κλίμακα
スケール

1:1





- Ⓞ Refer to the **USER GUIDE**, included in the box, for information on operating the remote control.
- Ⓞ Pour le fonctionnement du module radio-commandé, se référer au **GUIDE DE L'UTILISATEUR** inclus dans la boîte.
- Ⓞ Die Funktion des funkgesteuerten Moduls ist in der beiliegenden **GEBRAUCHSANWEISUNG** erklärt.
- Ⓞ Per il funzionamento del modulo radiocomandato, far riferimento al **MANUALE UTENTE** incluso nella confezione.
- Ⓞ Para el funcionamiento del módulo radiocomandado, remitirse a la **GUÍA DEL USUARIO** incluida en la caja.
- Ⓞ Para o funcionamento do módulo radiocomandado, reporte-se ao **GUIA DO UTILIZADOR** incluído na caixa.
- Ⓞ För den radiostyrda modulens funktion, se **ANVÄNDARGUDIEN** som ingår i lådan.
- Ⓞ Katso radio-ohjatus moduulin käyttöohjeet mukana toimitetusta **KÄYTTÄJÄN KÄSIKIRJASTA**
- Ⓞ Det radiostyrede moduls virkemåde er beskrevet i **BRUGSVEJLEDNINGEN**, der medfølger i æsken.
- Ⓞ Voor de werking van de radiogestuurde module verwijzen we naar de **GEBRUIKERSGIDS** die in de doos zit.
- Ⓞ Για τη λειτουργία της τηλεχειριζόμενης μονάδας, ανατρέξτε στις **ΟΔΗΓΙΕΣ ΧΡΗΣΗΣ** που περιλαμβάνονται στη συσκευασία.
- Ⓞ リモコン操作に関する説明は、ボックスに入っている「ユーザーガイド」を参照してください。

CONSTRUCTION TIPS

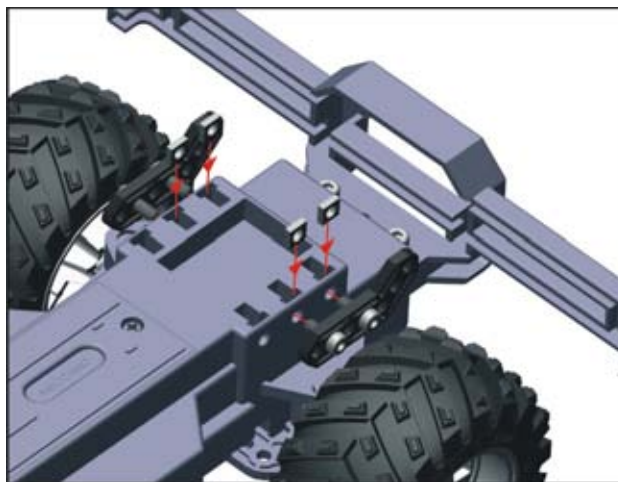
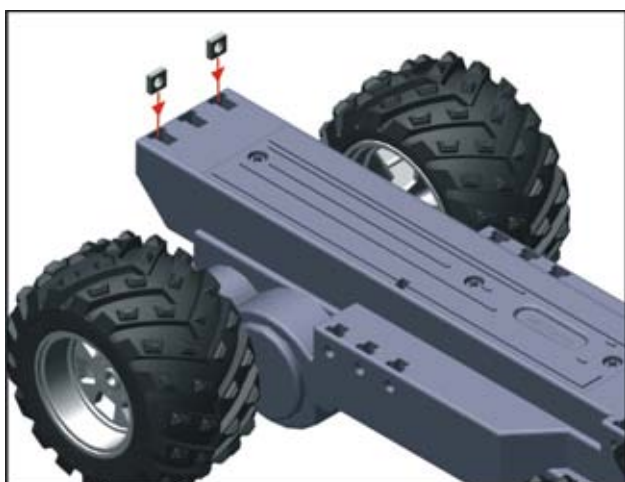
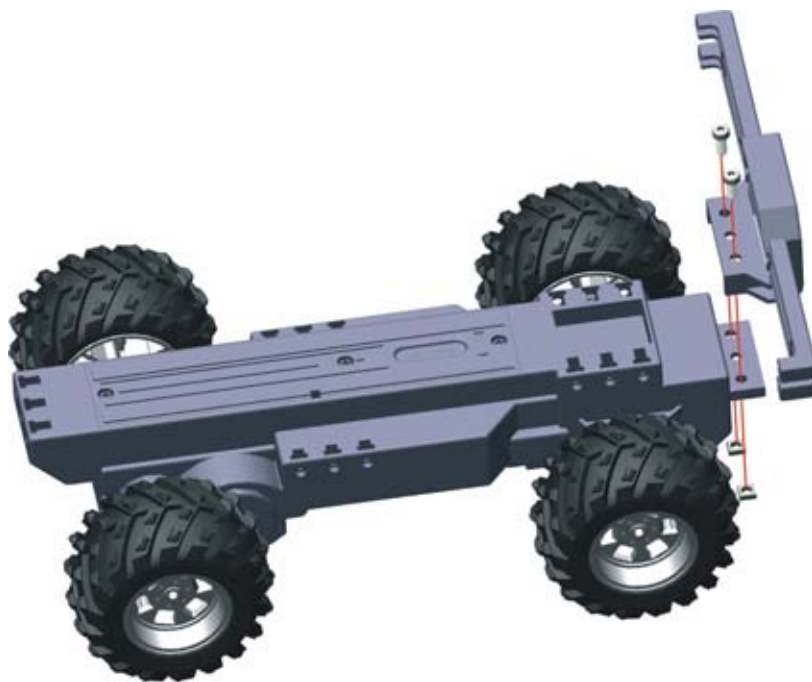
ASTUCES DE CONSTRUCTION

KONSTRUKTIONSTIPPS

LE ASTUZIE DELLA COSTRUZIONE







LOS INGENIOS DE LA CONSTRUCCIÓN

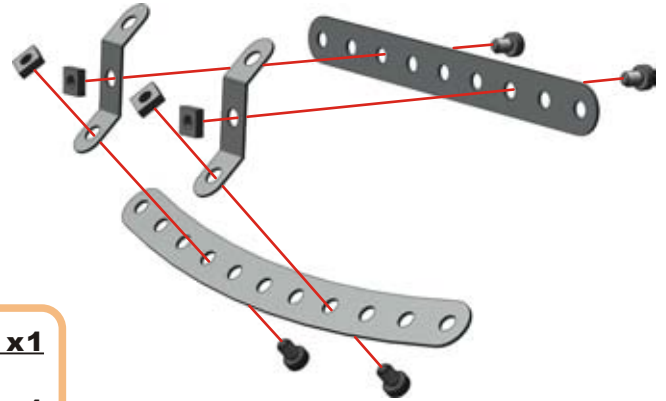
DE FIJNE KNEEPJES VAN NET BOUWEN













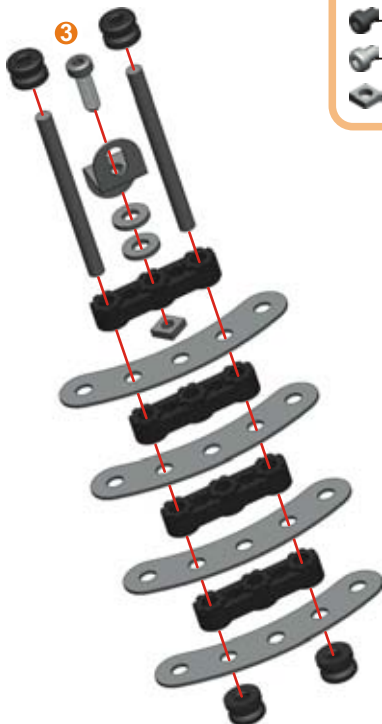
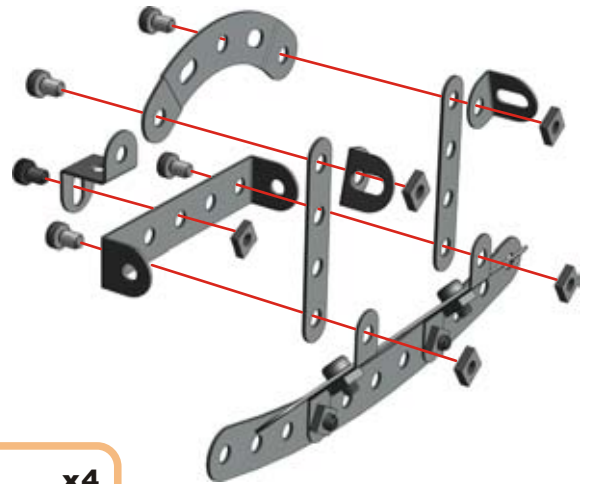
1

-  **x1**
-  **x1**
-  **x2**
-  | 5,8 mm | **x2**
15/64"
-  | 5,8 mm | **x2**
15/64"
-  **x4**











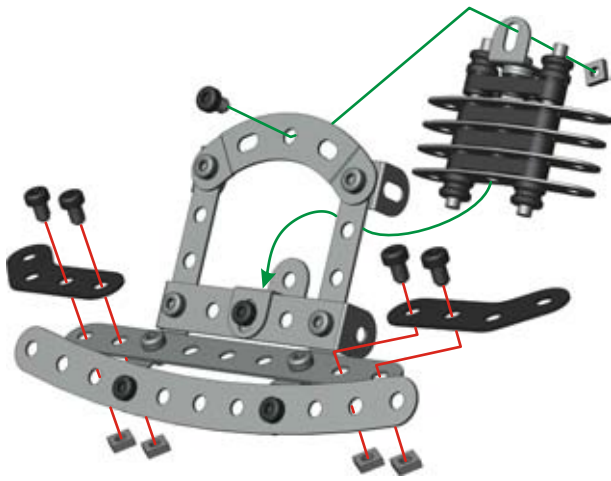
2




-  **x1**
-  **x1**
-  **x2**
-  **x1**
-  **x2**
-  | 5,8 mm | **x1**
15/64"
-  | 5,8 mm | **x4**
15/64"
-  **x5**









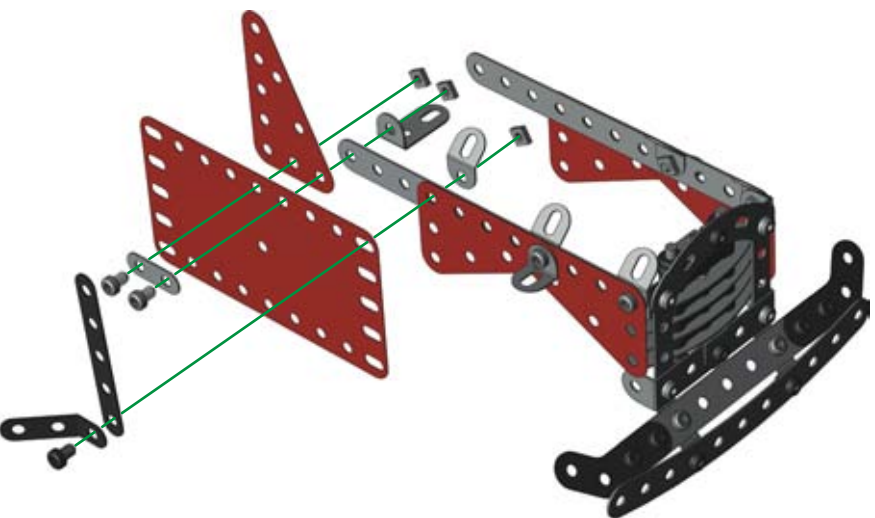
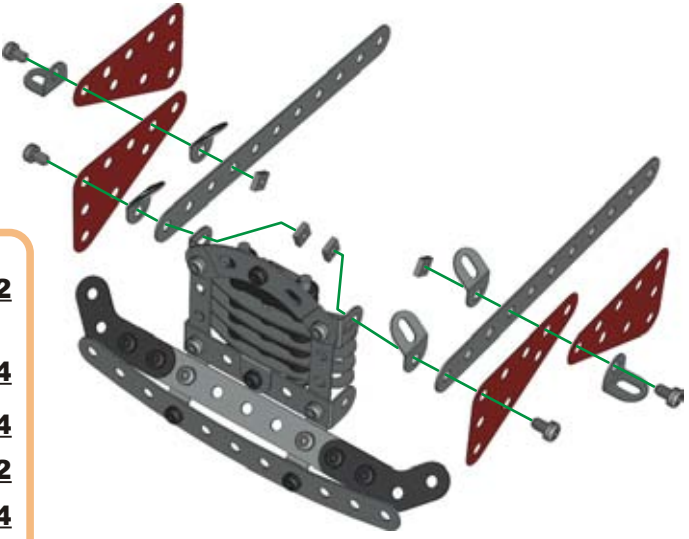
3











-  **x4**
-  | 50 mm | **x2**
2"
-  **x1**
-  **x4**
-  **x4**
-  | 12 mm | **x1**
1/2"
-  **x2**
-  **x1**

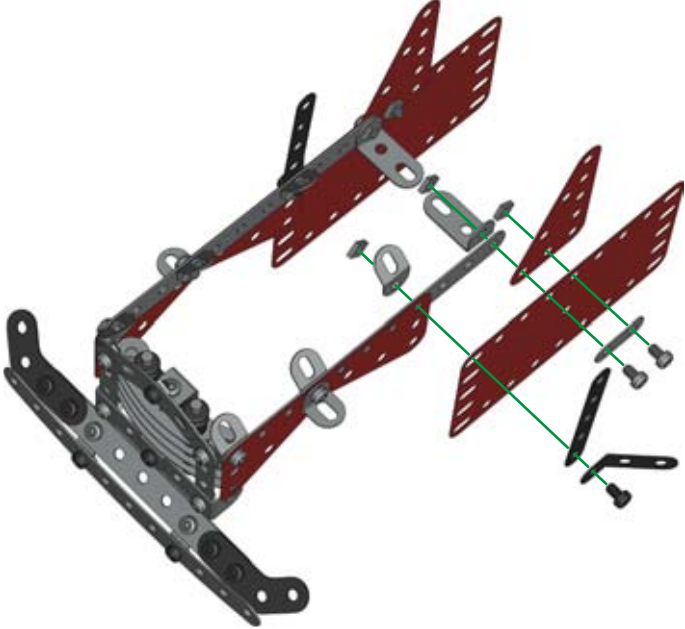












- 4** ② + ③ +
-  **x2**
 -  **x5** (5,8 mm / 15/64")
 -  **x5**

- 5**
-  **x2**
 -  **x4**
 -  **x4**
 -  **x2**
 -  **x4** (5,8 mm / 15/64")
 -  **x4**



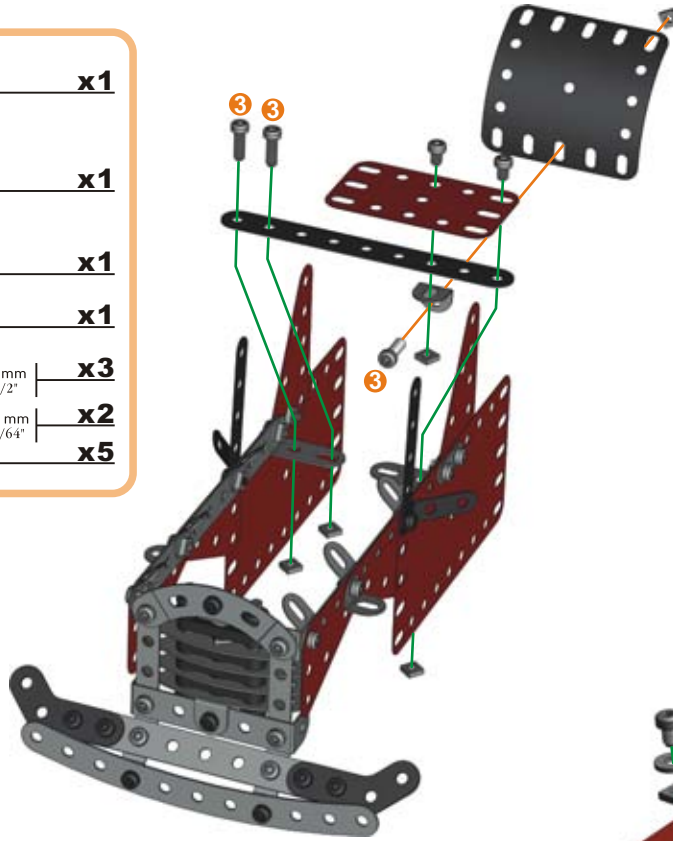
- 6**
-  **x1**
 -  **x1**
 -  **x1**
 -  **x1**
 -  **x1**
 -  **x1**
 -  **x1**
 -  **x1** (5,8 mm / 15/64")
 -  **x2** (5,8 mm / 15/64")
 -  **x3**



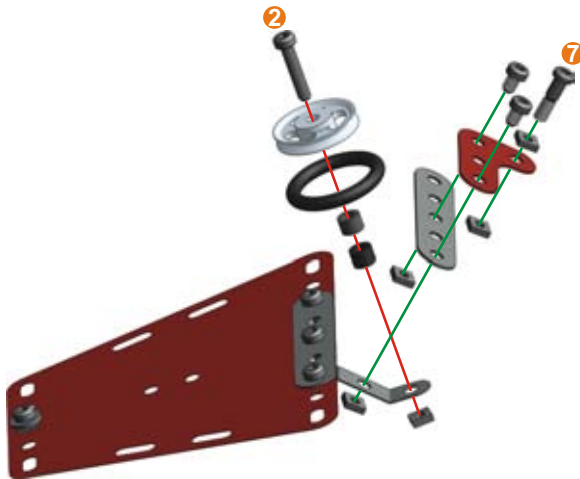
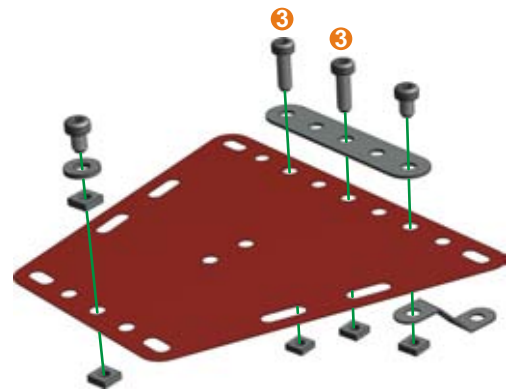
- 7**
-  **x1**
 -  **x1**
 -  **x1**
 -  **x1**
 -  **x1**
 -  **x1**
 -  **x1**
 -  **x1** (5,8 mm / 15/64")
 -  **x2** (5,8 mm / 15/64")
 -  **x3**

8

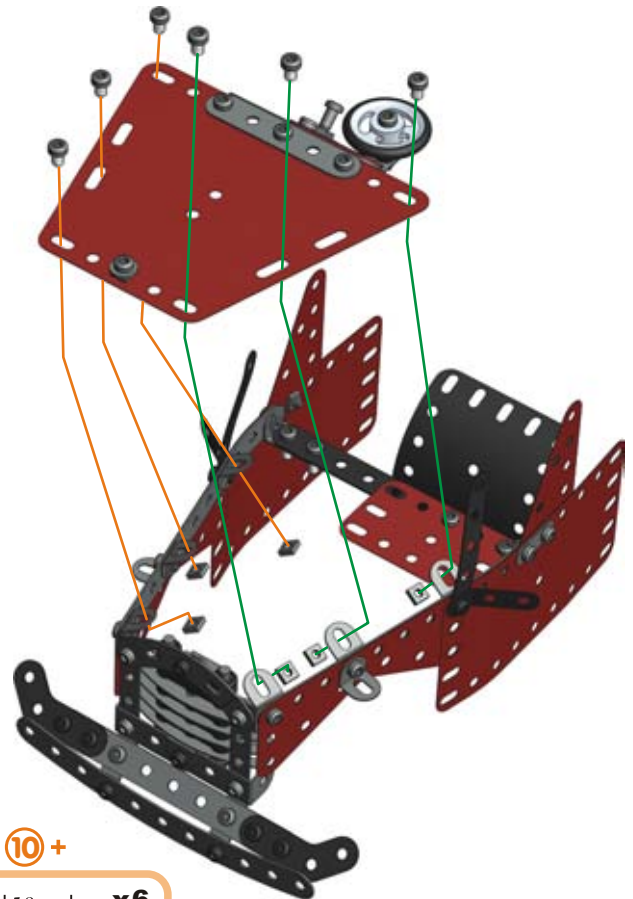
		x1
		x1
		x1
		x1
	③ 12 mm 1/2"	x3
	5.8 mm 15/64"	x2
		x5

**9**

		x1
		x1
		x1
	③ 12 mm 1/2"	x2
	5.8 mm 15/64"	x2
		x1
		x5

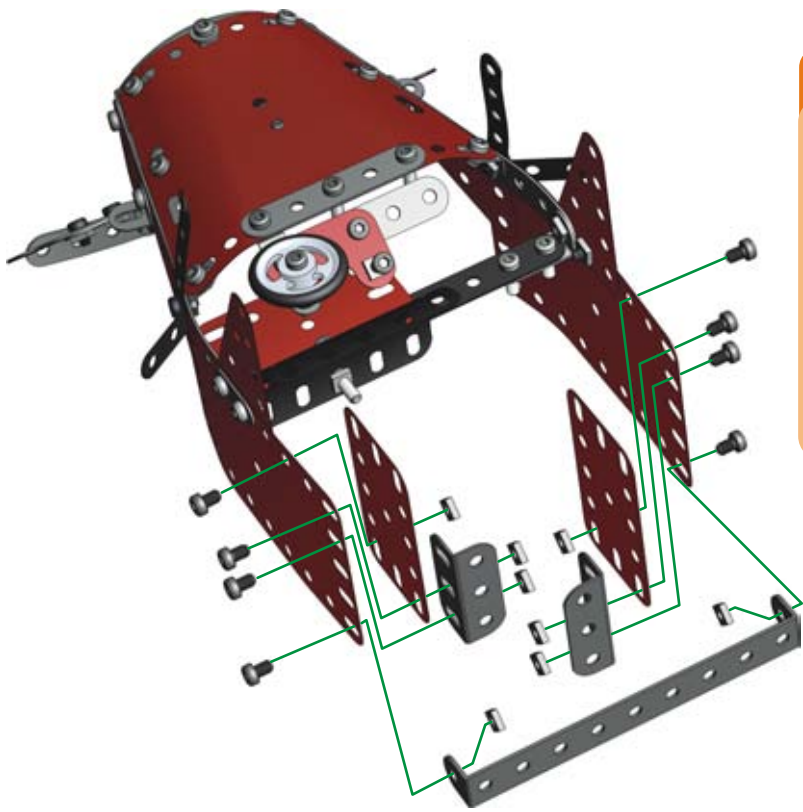
**10**

		x1
		x1
		x1
		x1
		x1
		x1
	⑦ 14.7 mm 37/64"	x1
	② 19 mm 3/4"	x1
	5.8 mm 15/64"	x2
		x5






**11**

⑧ + ⑩ +








	5.8 mm 15/64"	x6
		x6

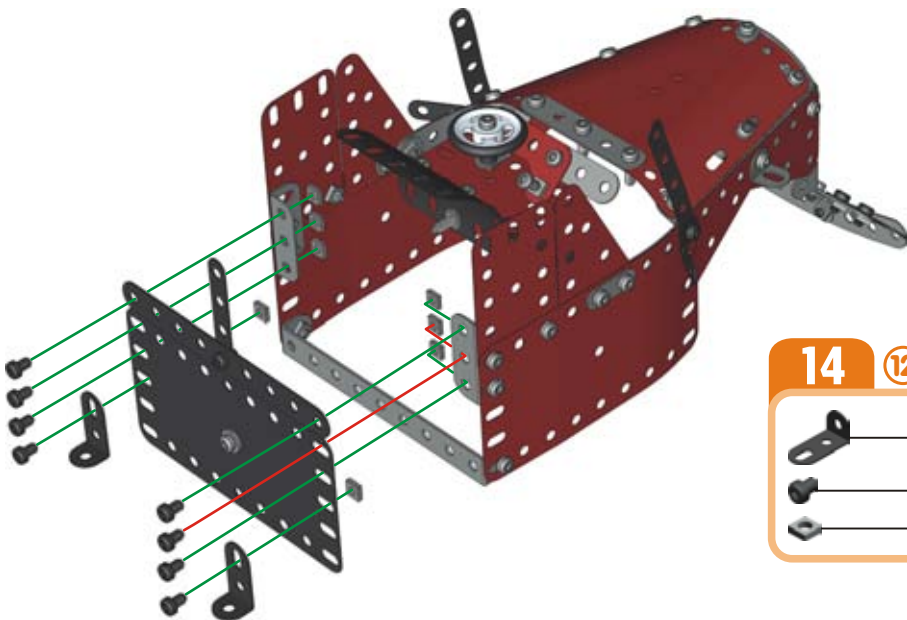
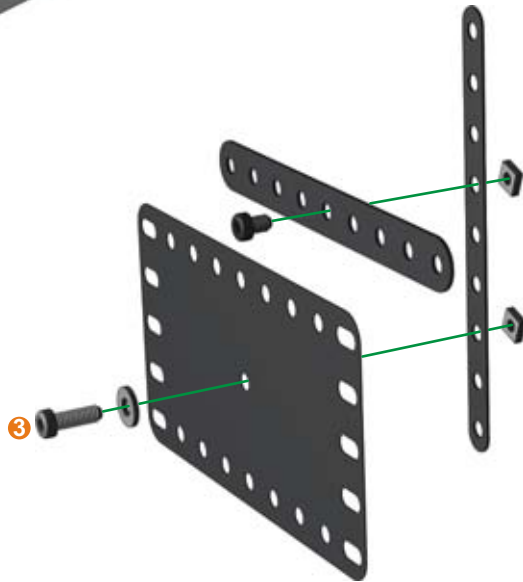


12

-  x1
-  x2
-  x2
-  | 5,8 mm | 15/64" | x8
-  x8




13

-  x1
-  x1
-  x1
-  | 12 mm | 1/2" | x1
-  | 5,8 mm | 15/64" | x1
-  x1
-  x2











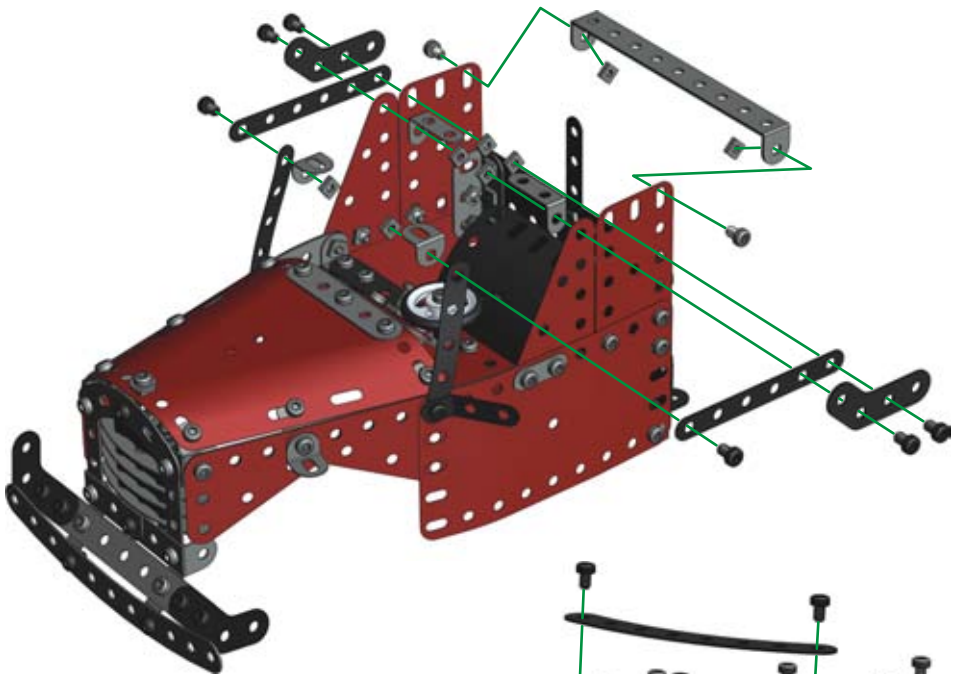
14

12 + 13 +






-  x2
-  | 5,8 mm | 15/64" | x8
-  x8

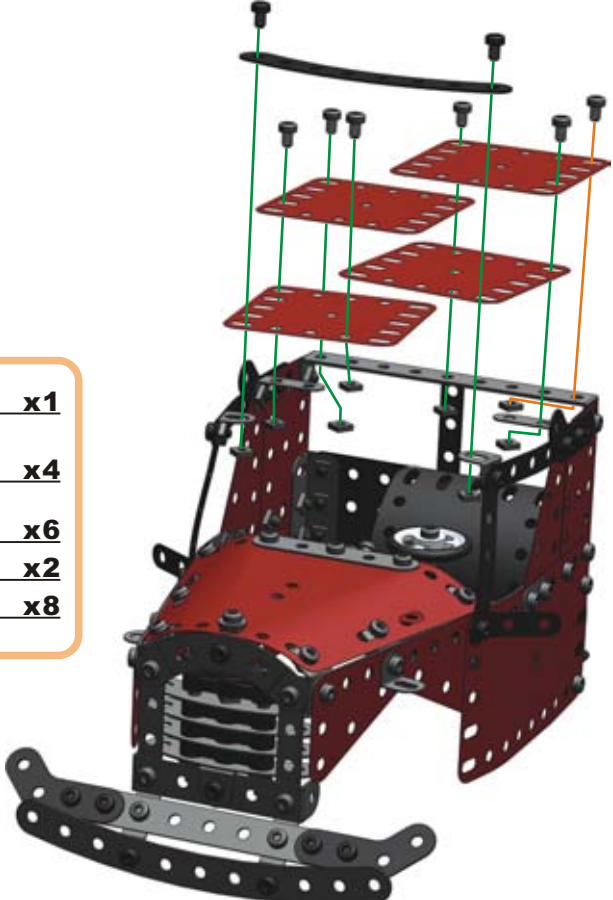
15

-  **x1**
-  **x2**
-  **x2**
-  **x2**
-  **x2**
-  **x2**
-  **x6**
-  **x8**









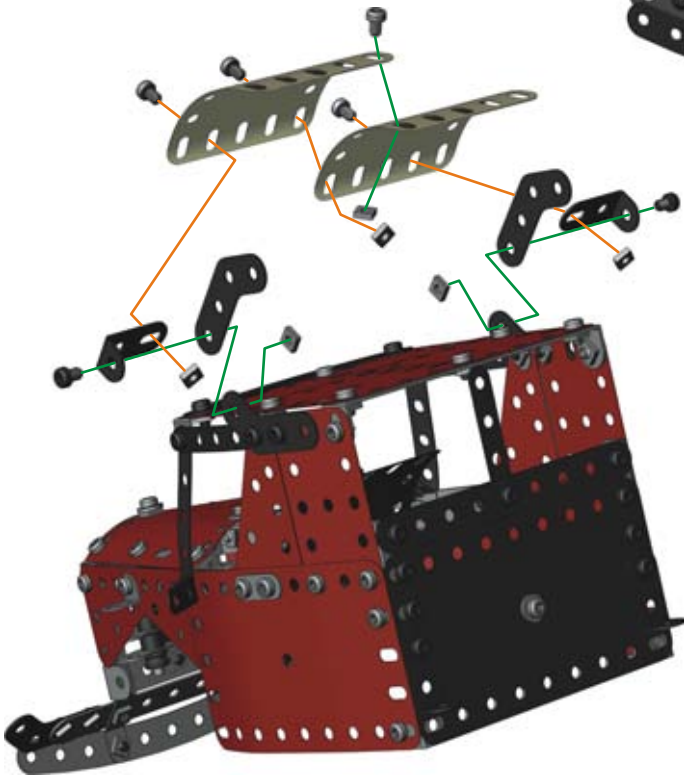
16

-  **x1**
-  **x4**
-  **x6**
-  **x2**
-  **x8**



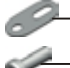
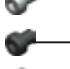




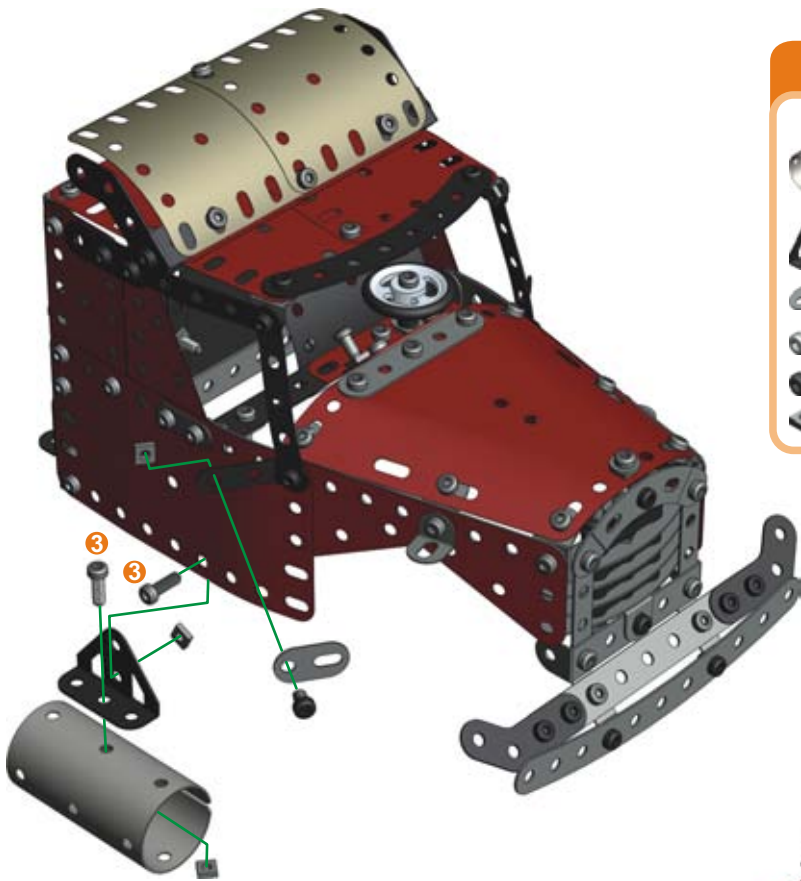
17

-  **x2**
-  **x2**
-  **x2**
-  **x4**
-  **x2**
-  **x6**



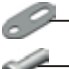
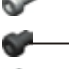




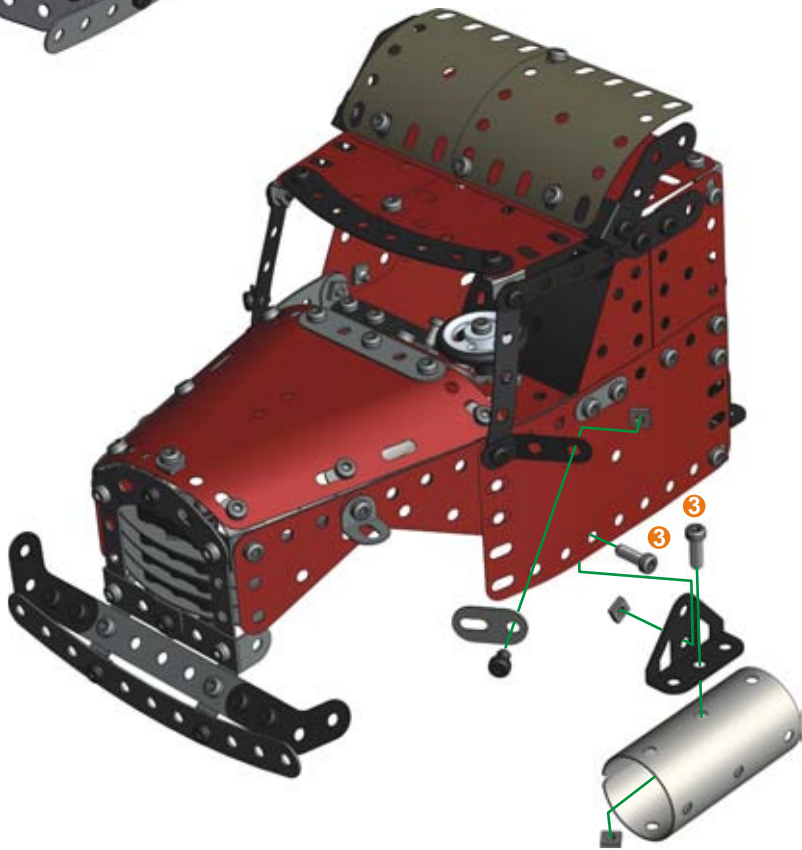
18

-  **x1**
-  **x1**
-  **x1**
-  **3** | 12 mm | **x2**
1/2"
-  **x1**
5,8 mm | 15/64"
-  **x3**




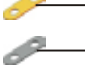
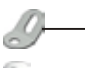
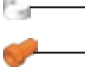





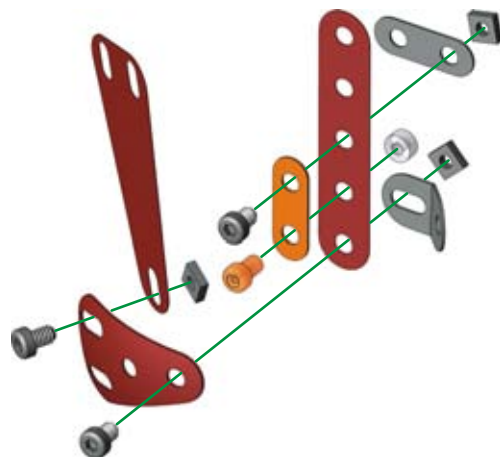
19

-  **x1**
-  **x1**
-  **x1**
-  **3** | 12 mm | **x2**
1/2"
-  **x1**
5,8 mm | 15/64"
-  **x3**



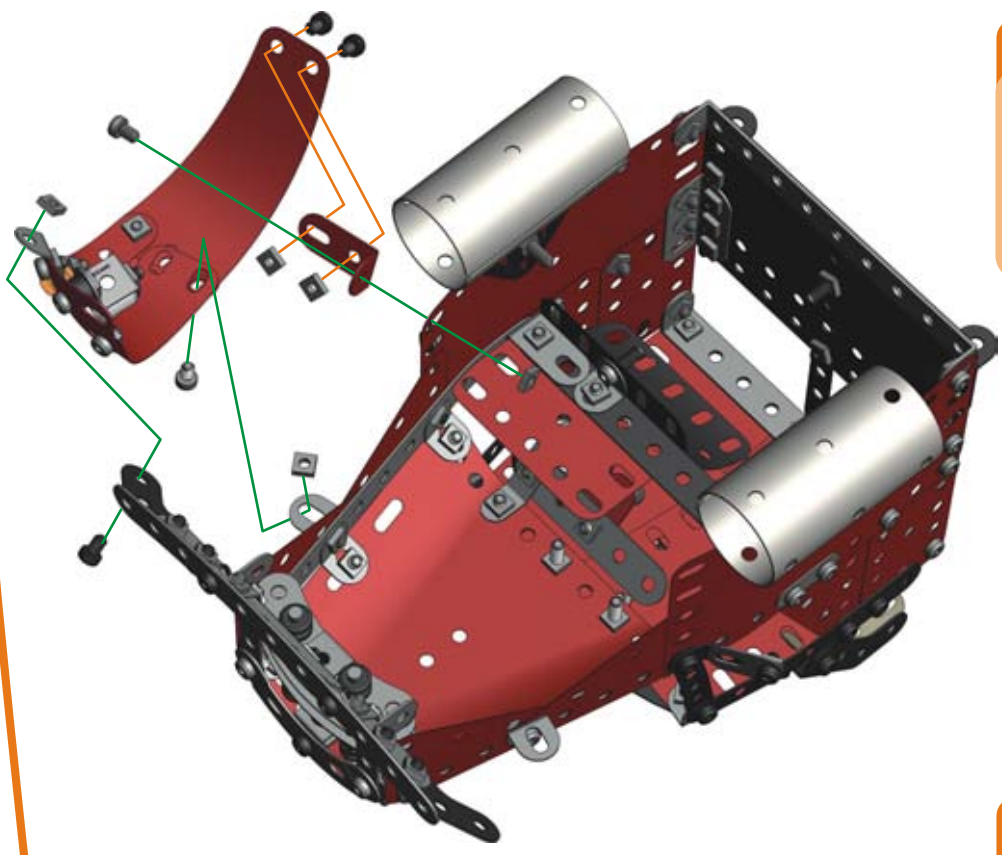
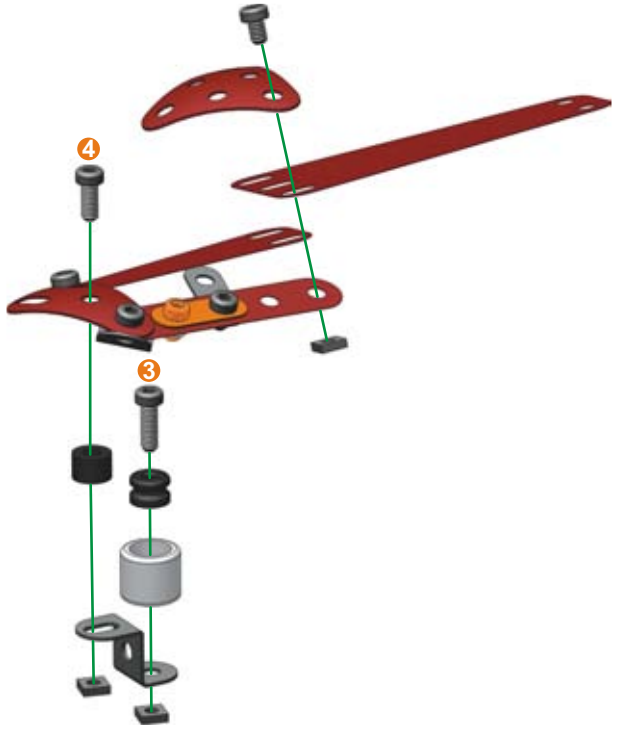
20

-  **x1**
-  **x1**
-  **x1**
-  **x1**
-  **x1**
-  **x1**
-  **x1**
-  **x1**
-  **x3**
5,8 mm | 15/64"
- **x3**



21

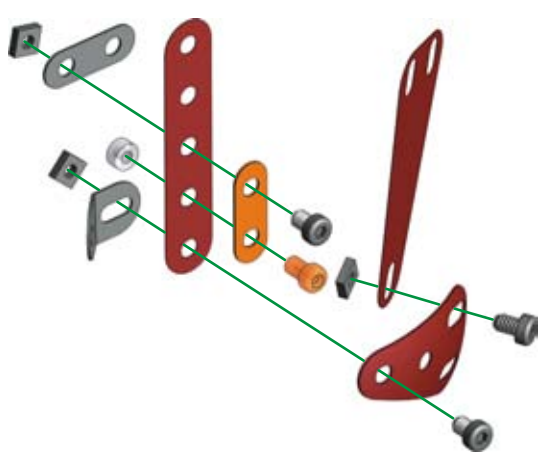
		x1
		x1
		x1
		x1
		x1
		x1
	③ 12 mm 1/2"	x1
	④ 9,5 mm 3/8"	x1
	5,8 mm 15/64"	x1
		x3



22

①9 + ②1 +

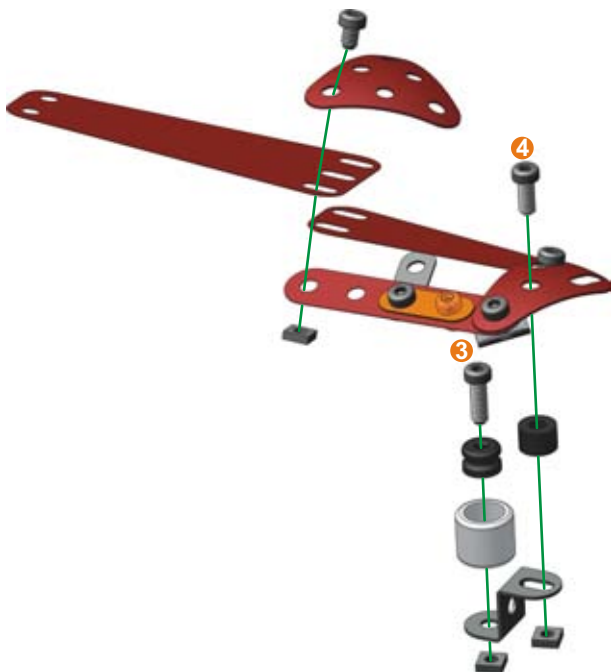
		x1
	5,8 mm 15/64"	x2
	5,8 mm 15/64"	x3
		x5



23

		x1
		x1
		x1
		x1
		x1
		x1
		x1
		x1
	5,8 mm 15/64"	x3
		x3

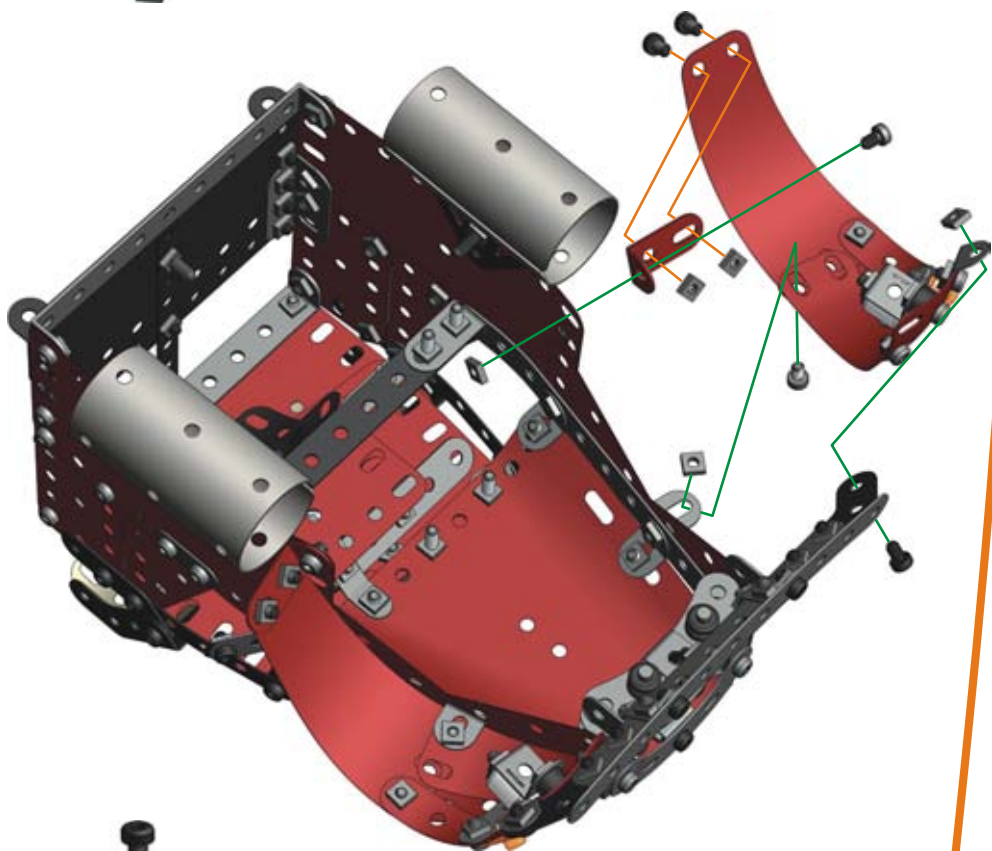
24



		x1
		x1
		x1
		x1
		x1
		x1
	3 12 mm	x1
	4 9,5 mm	x1
	5,8 mm	x1
	15/64"	x3

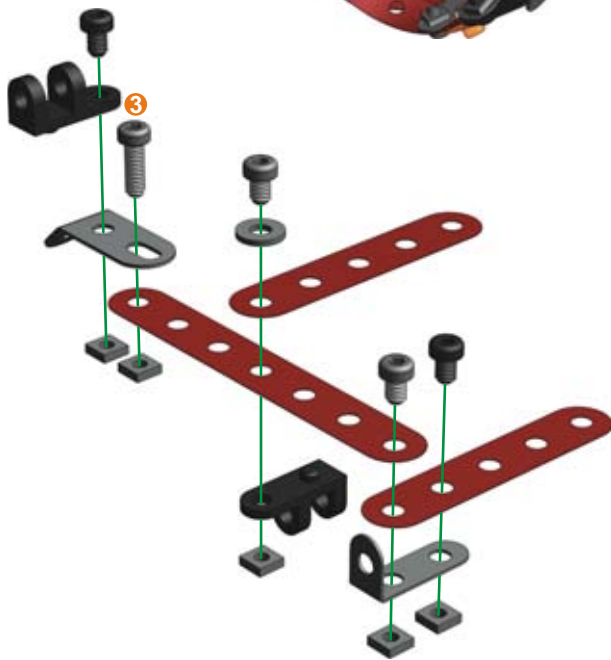
25 (23) + (24) +

		x1
	5,8 mm	x2
	15/64"	x3
	5,8 mm	x5
	15/64"	x5





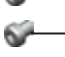
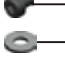





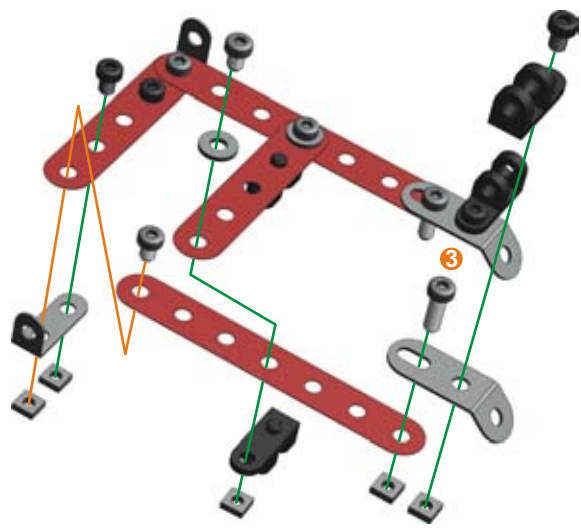
26

		x1
		x2
		x2
		x1
		x1
	3 12 mm	x1
	5,8 mm	x2
	15/64"	x2
	5,8 mm	x1
	15/64"	x5









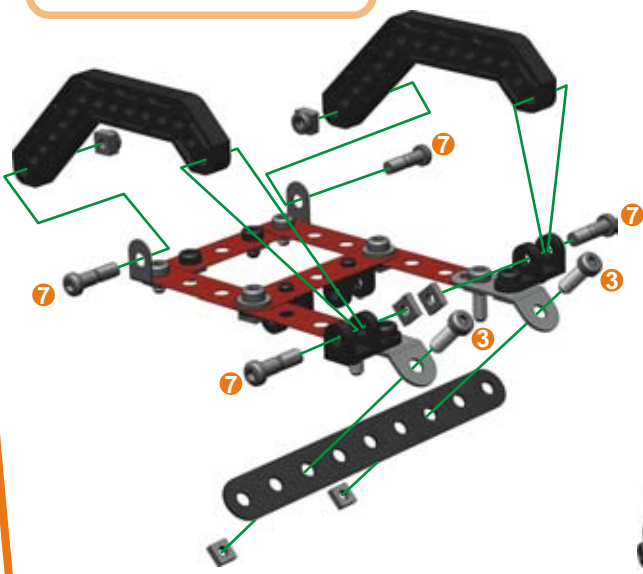
27

-  **x1**
-  **x2**
-  **x1**
-  **x1**
-  **x1**
-  **x2**
-  **x2**
-  **x1**
-  **x5**










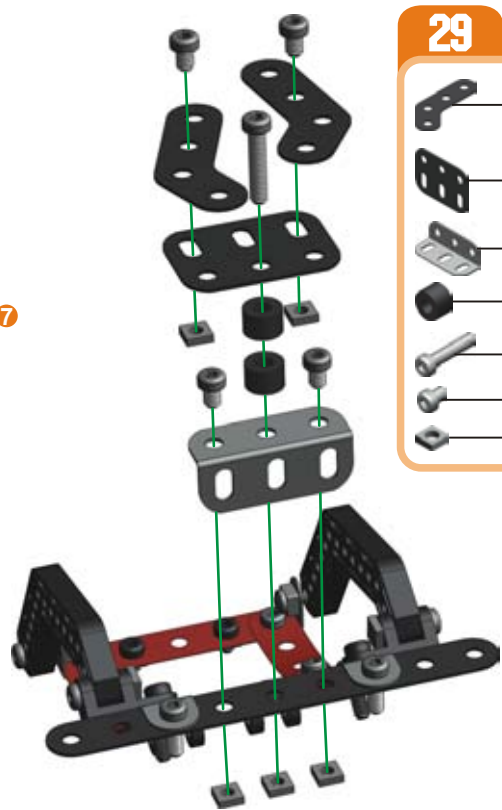
28

-  **x2**
-  **x1**
-  **x4**
-  **x2**
-  **x2**
-  **x4**








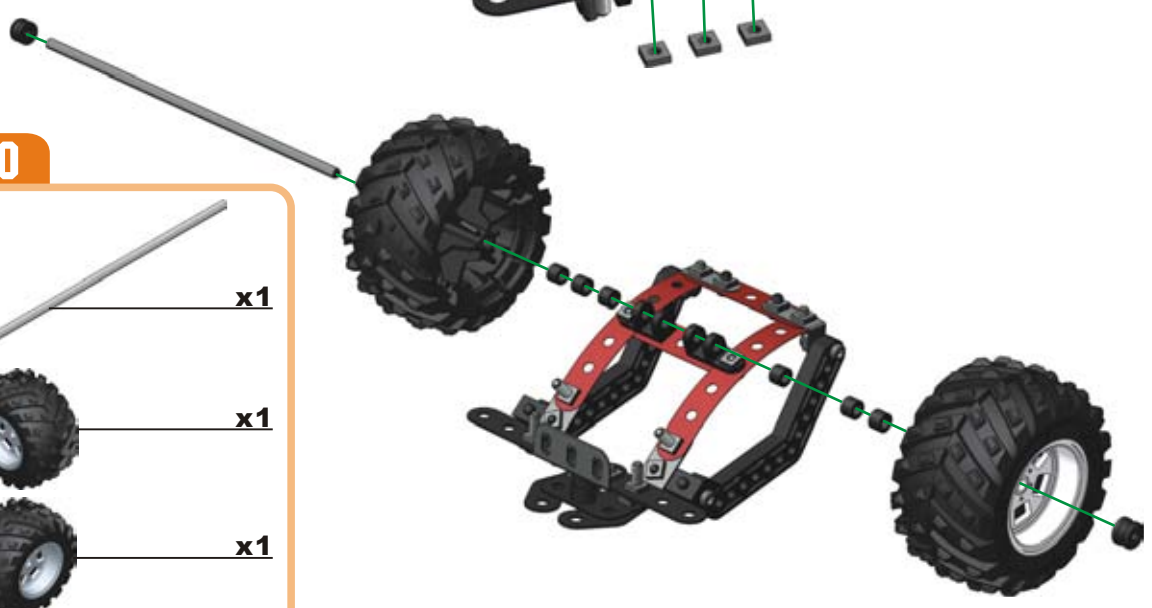
29

-  **x2**
-  **x1**
-  **x1**
-  **x2**
-  **x1**
-  **x4**
-  **x5**



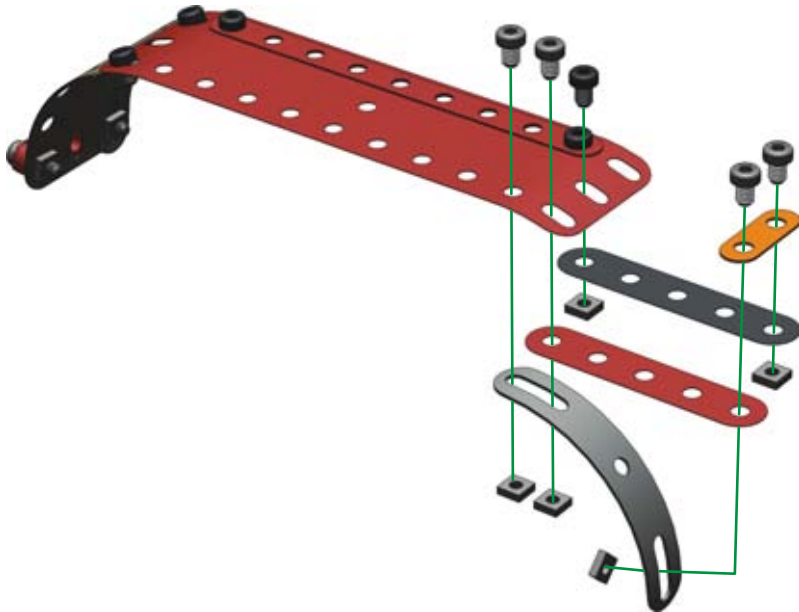
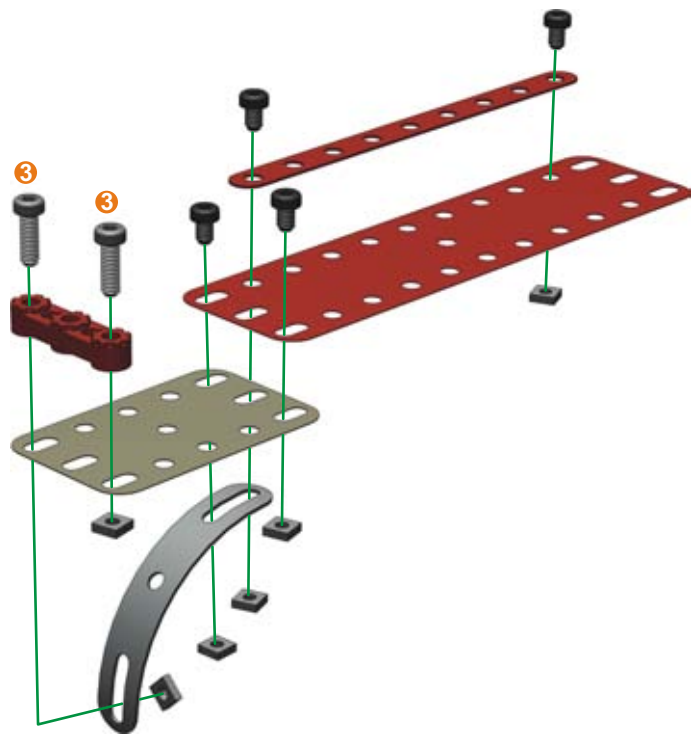
30

-  **x1**
-  **x1**
-  **x1**
-  **x6**
-  **x2**



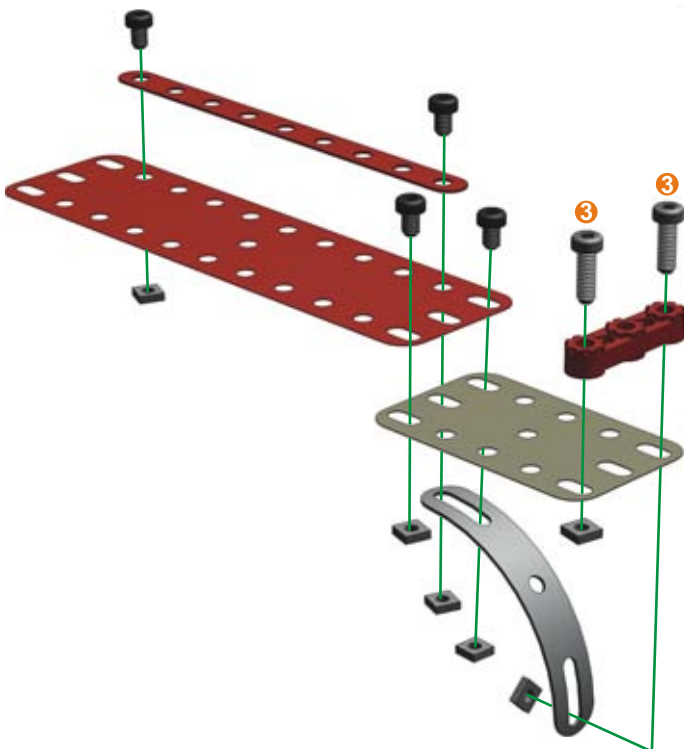
31

		x1
		x1
		x1
		x1
		x1
	③ 12 mm 1/2"	x2
	5,8 mm 15/64"	x4
		x6



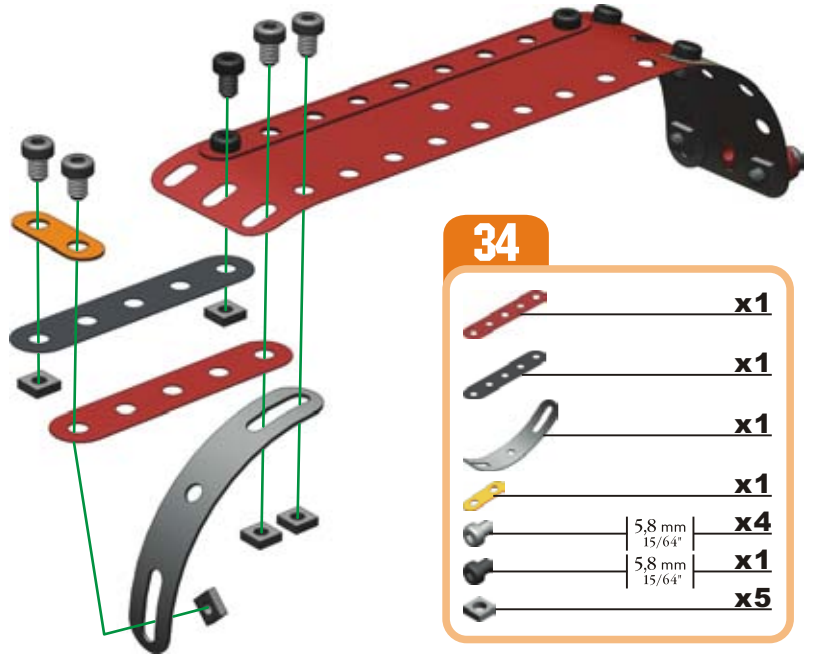
32

		x1
		x1
		x1
		x1
	5,8 mm 15/64"	x4
	5,8 mm 15/64"	x1
		x5



33

		x1
		x1
		x1
		x1
		x1
	③ 12 mm 1/2"	x2
	5,8 mm 15/64"	x4
		x6



34

	x1
	x1
	x1
	x1
	x4
	x1
	x5

35

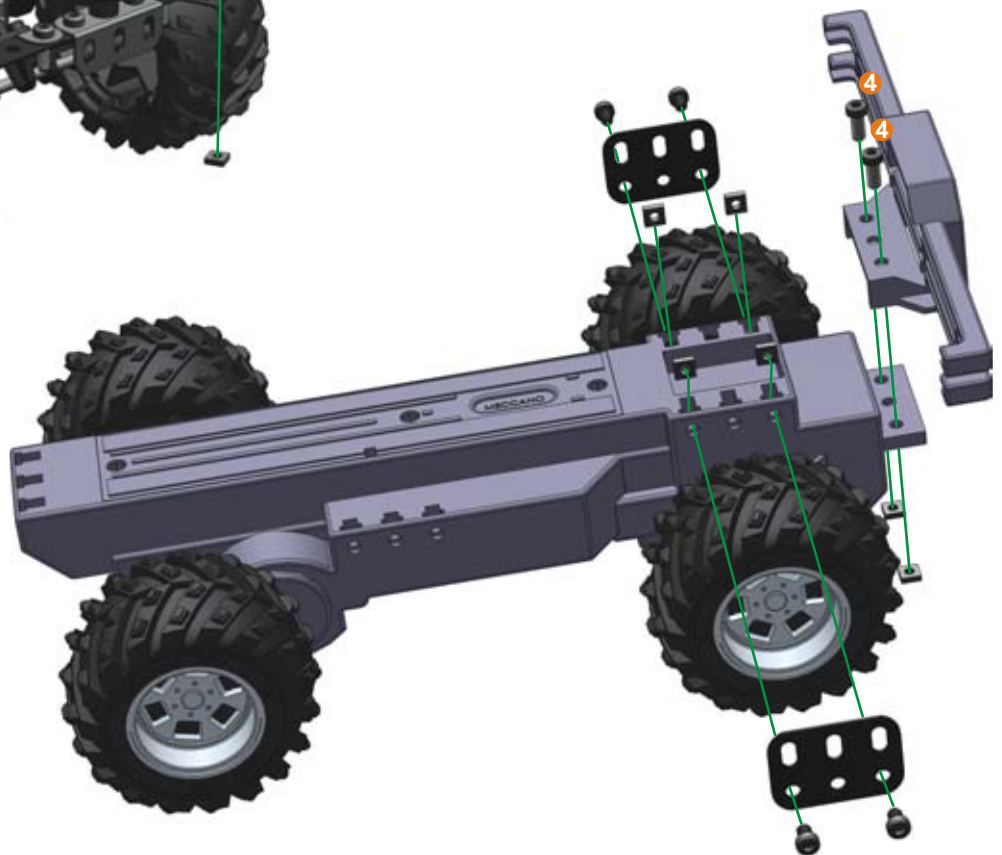
30 + 32 + 34 +

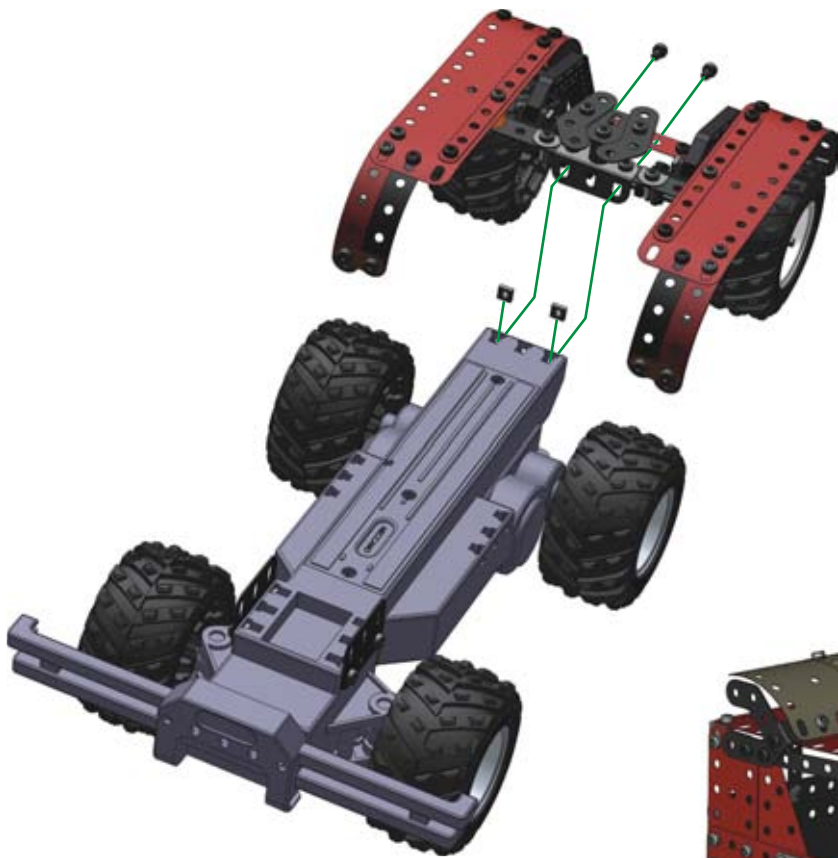
	x4
	x2
	x2



36

	x1
	x1
	x2
	x2
	x4
	x6



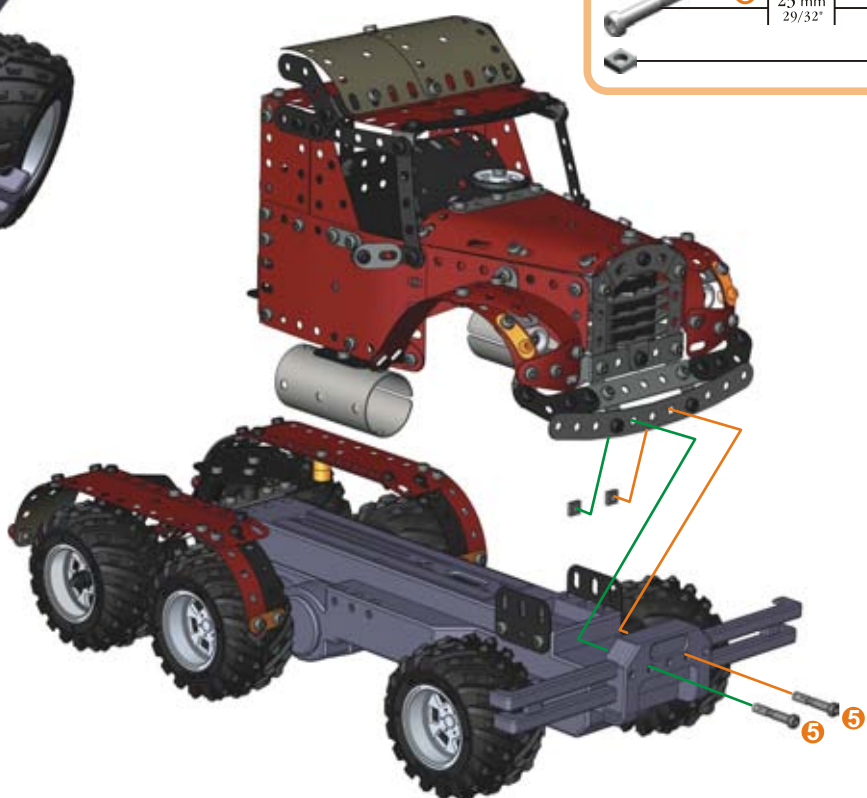


37 (35) + (36) +

	5,8 mm 15/64"	x2
		x2

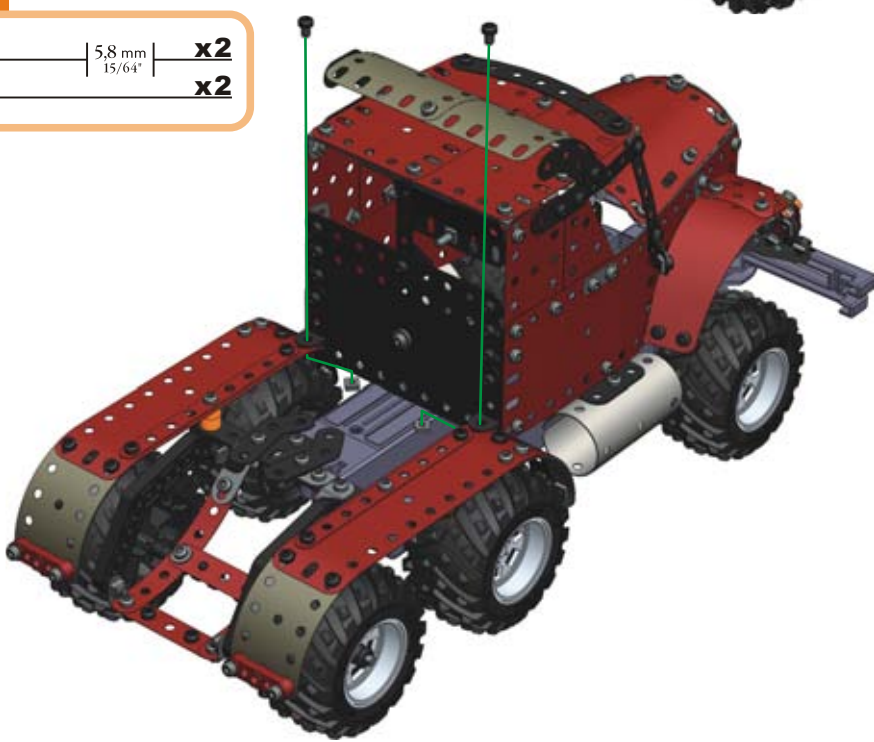
38 (25) + (37) +

	5	23 mm 29/32"	x2
			x2









39

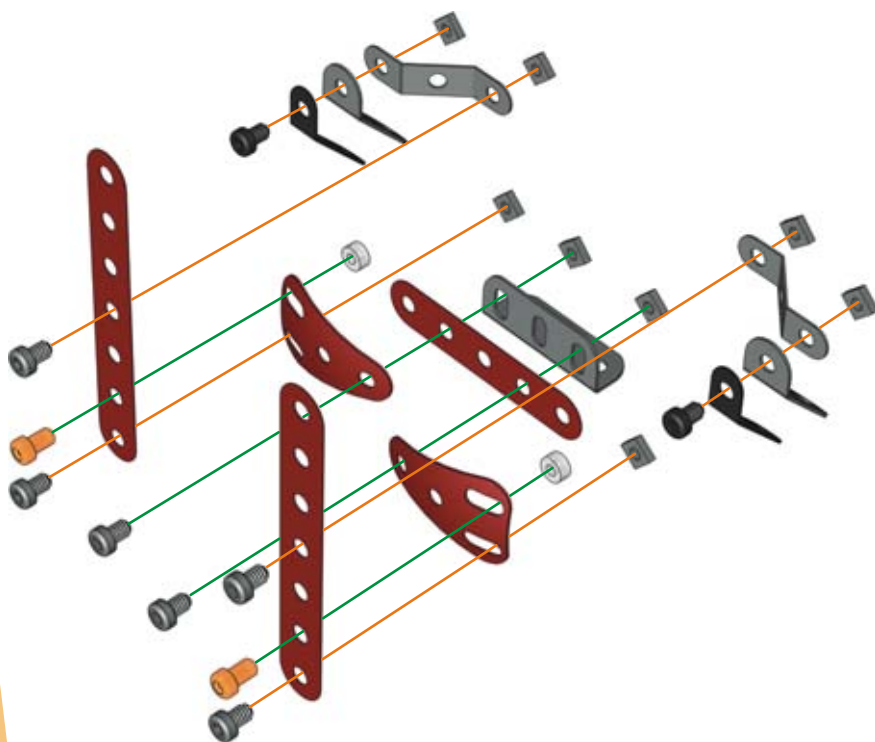
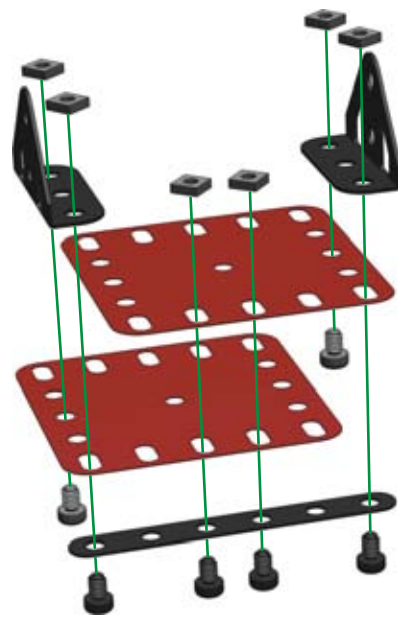
	5,8 mm 15/64"	x2
		x2

















1








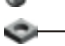

-  **x2**
-  **x1**
-  **x2**
-  **x4**
5,8 mm
15/64"
-  **x2**
5,8 mm
15/64"
-  **x6**

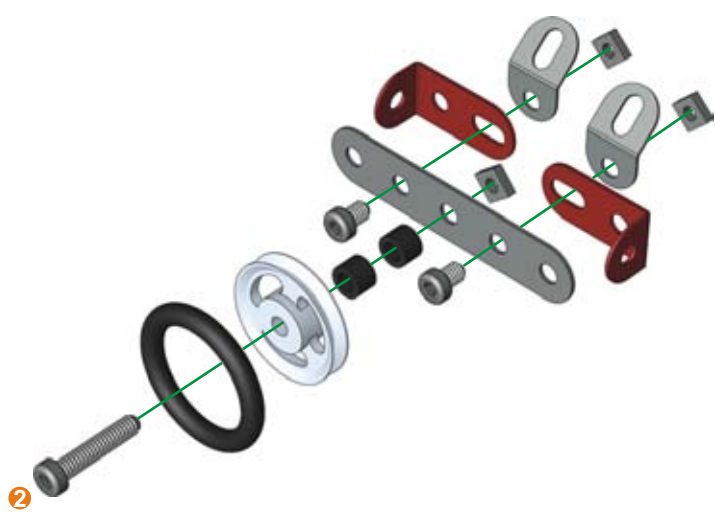


2







-  **x2**
-  **x1**
-  **x2**
-  **x1**
-  **x2**
-  **x2**
-  **x2**
-  **x2**
-  **x2**
-  **x2**
5,8 mm
15/64"
-  **x6**
5,8 mm
15/64"
-  **x8**

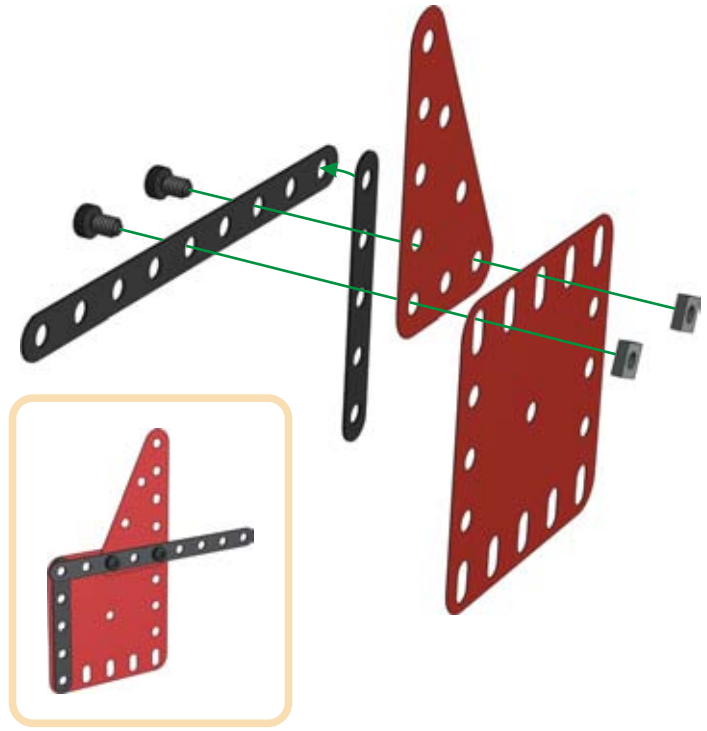
3

-  **x1**
-  **x1**
-  **x1**
-  **x2**
-  **x2**
-  **x2**
-  **x1** | 19 mm | 3/4"
-  **x2** | 5,8 mm | 15/64"
-  **x3**









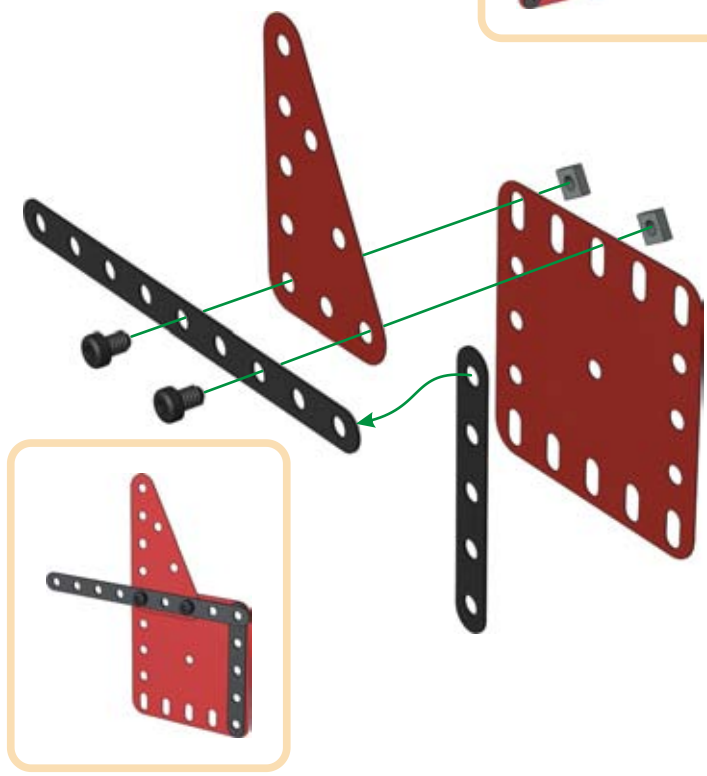
4

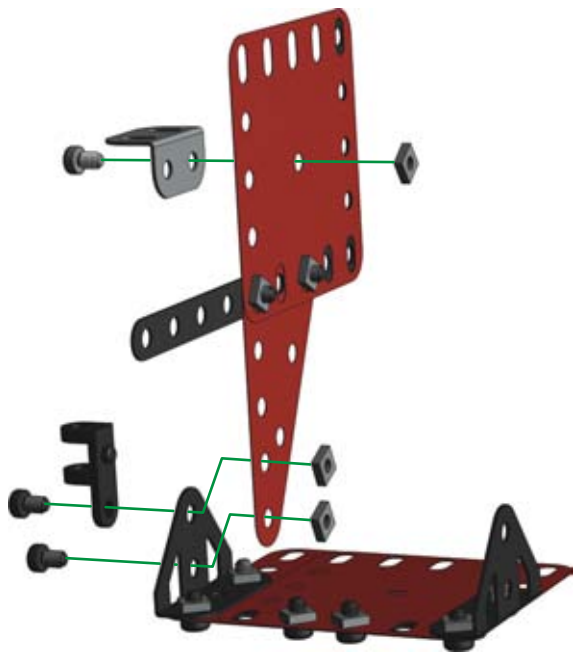
-  **x1**
-  **x1**
-  **x1**
-  **x1**
-  **x2** | 5,8 mm | 15/64"
-  **x2**



5

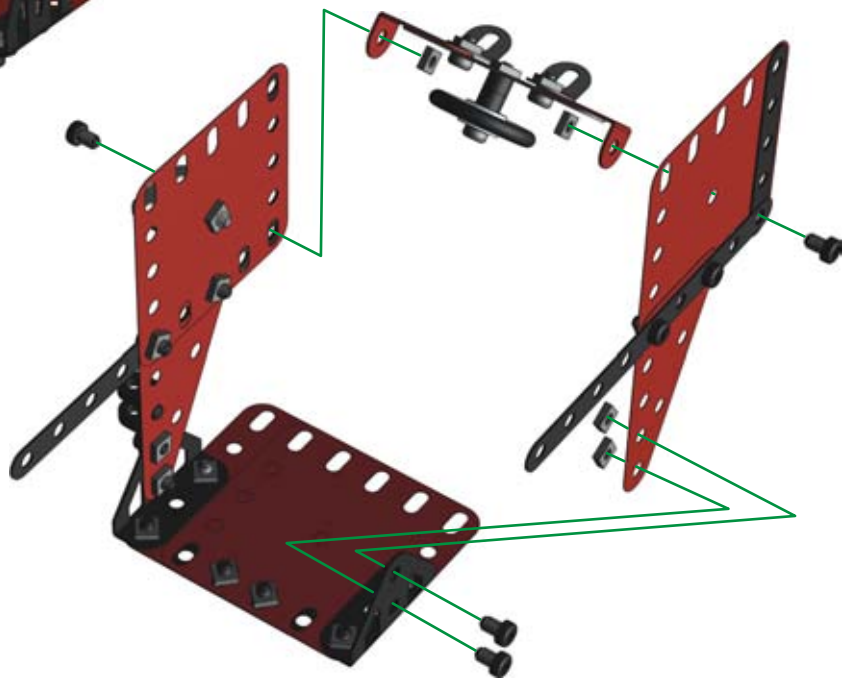
-  **x1**
-  **x1**
-  **x1**
-  **x1**
-  **x2** | 5,8 mm | 15/64"
-  **x2**



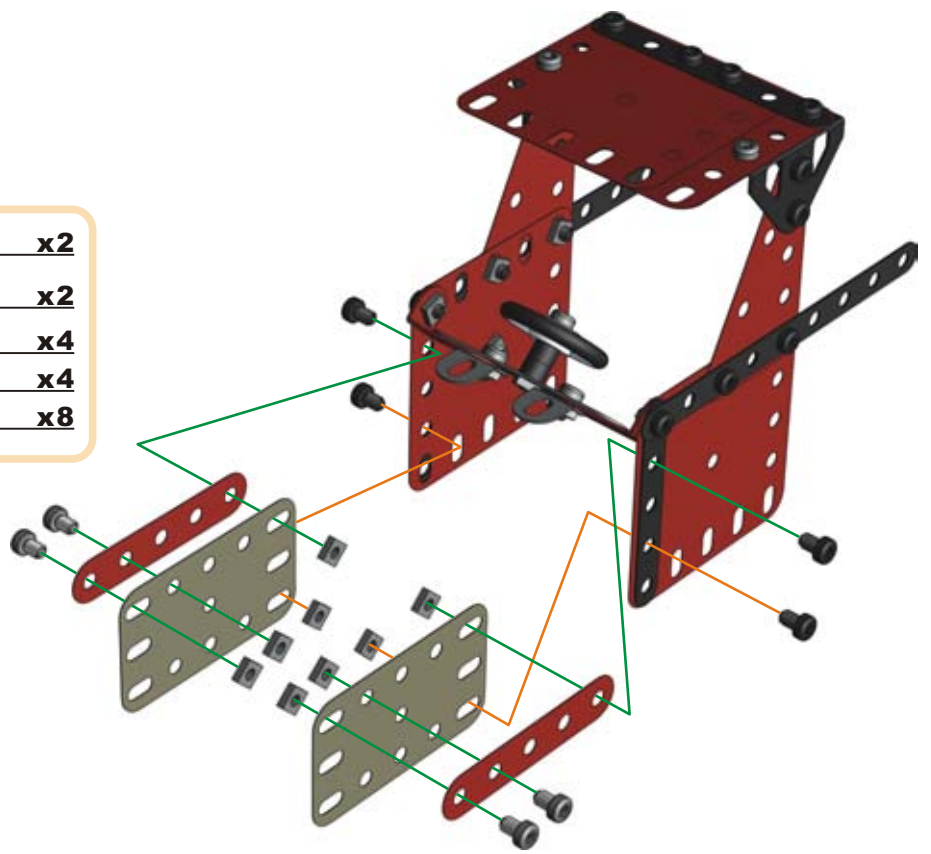


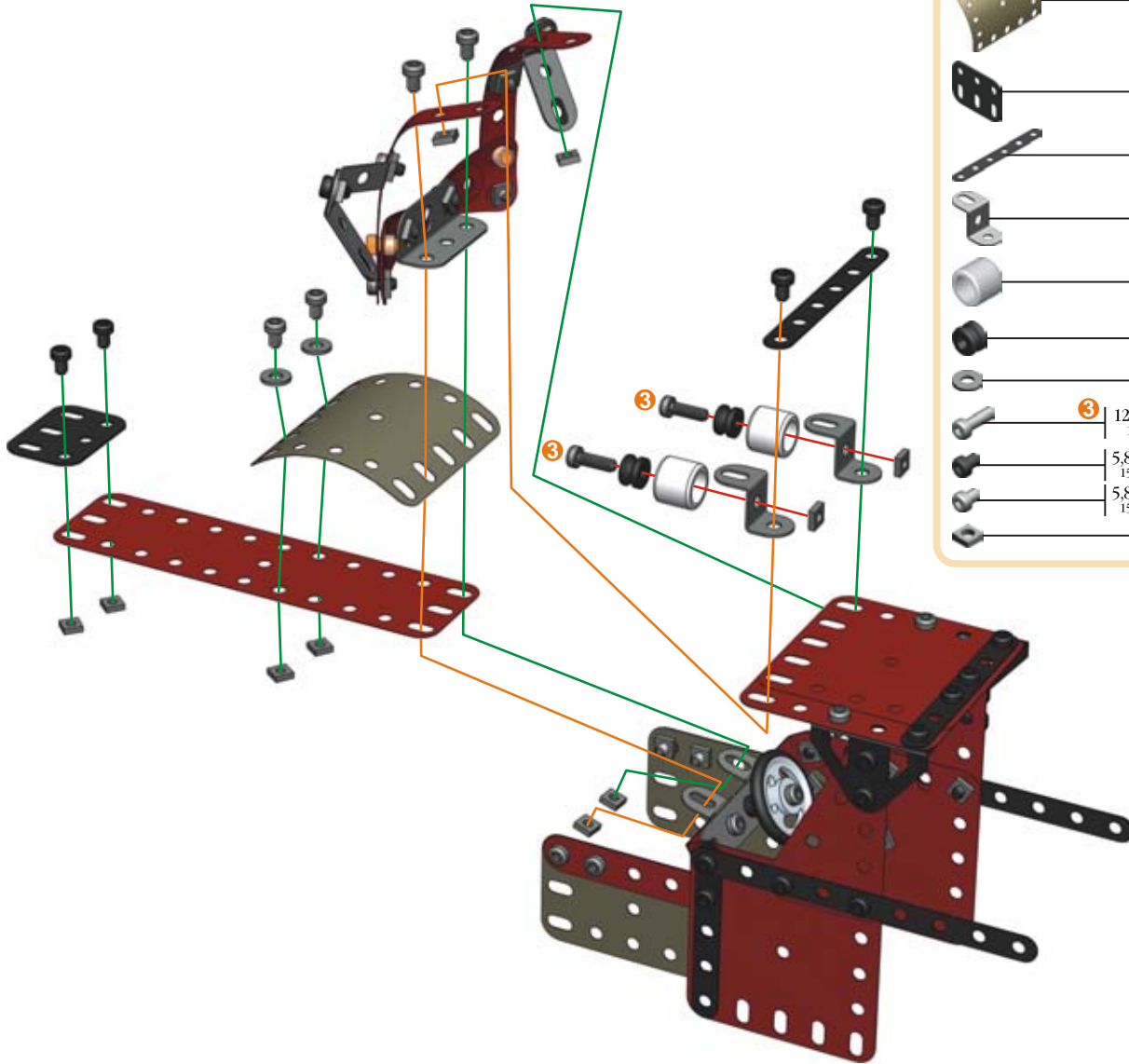
- 6** ① + ⑤ +
- x1**
 - x1**
 - 5,8 mm | 15/64" **x2**
 - 5,8 mm | 15/64" **x1**
 - x3**









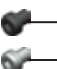
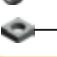


- 7** ③ + ④ + ⑥ +
- 5,8 mm | 15/64" **x4**
 - x4**

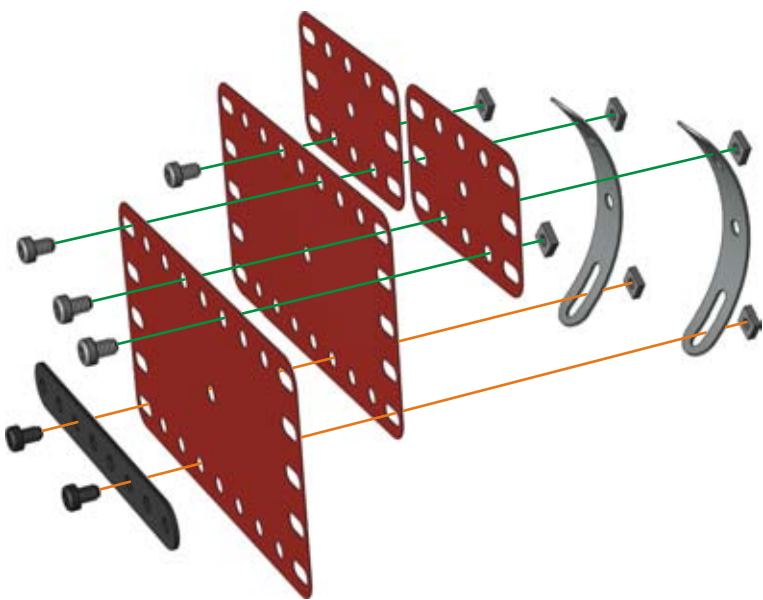






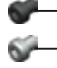


- 8**
- x2**
 - x2**
 - 5,8 mm | 15/64" **x4**
 - 5,8 mm | 15/64" **x4**
 - x8**

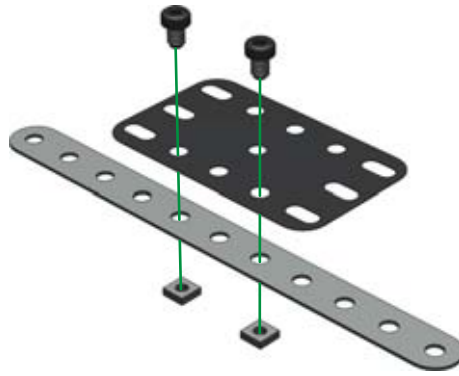
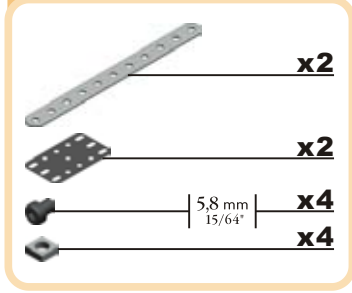
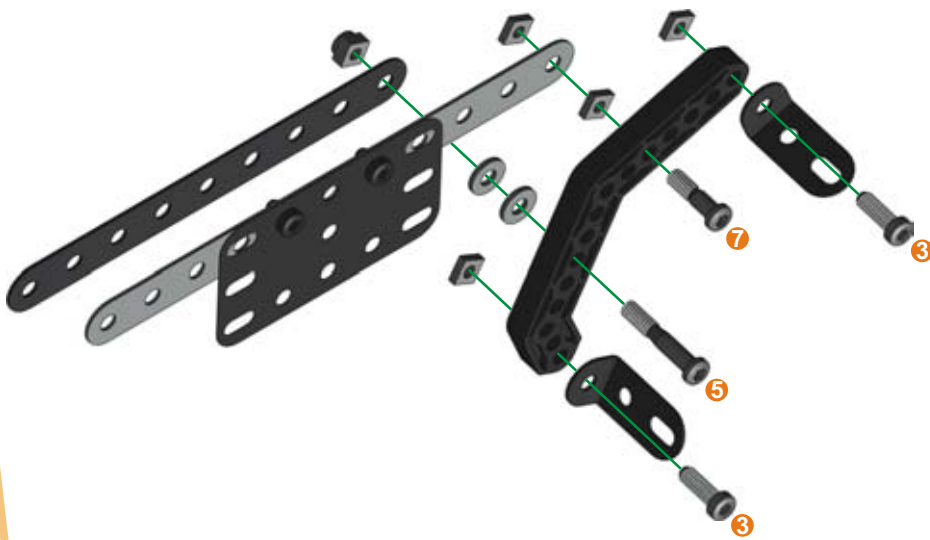
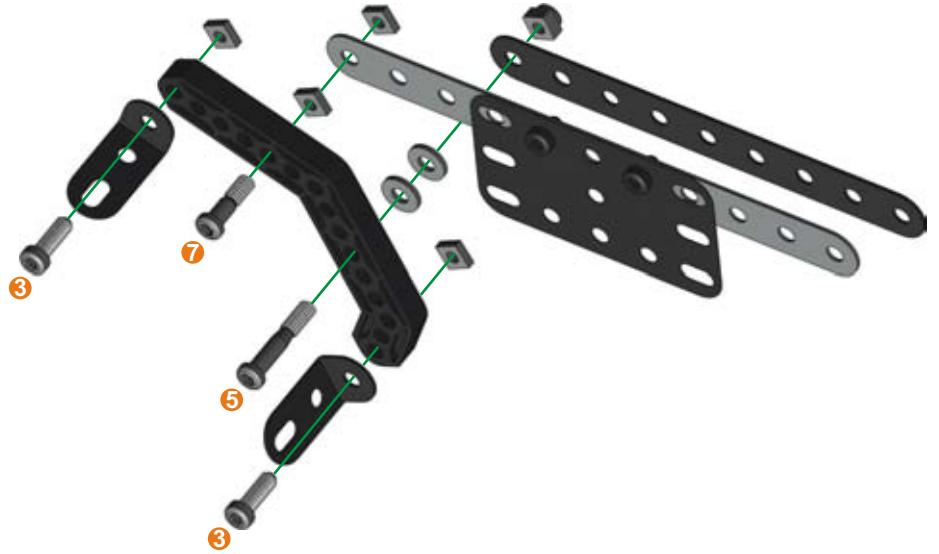
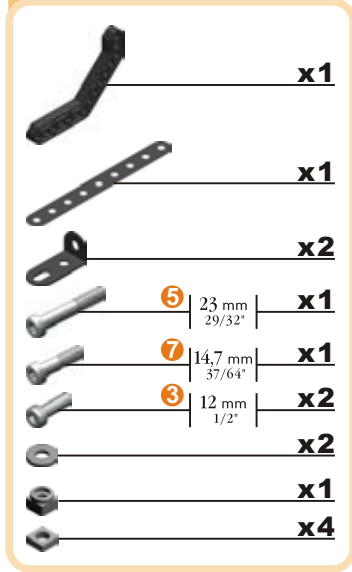
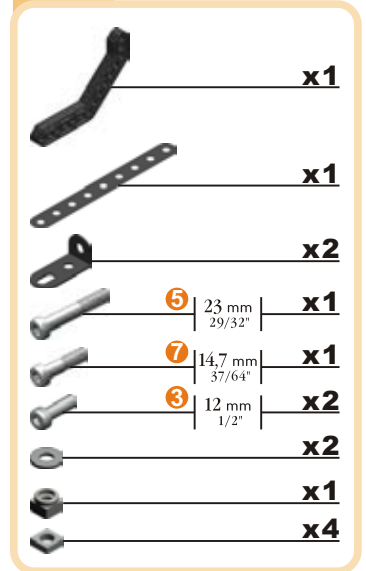


9**2 + 8 +**




-  **x1**
-  **x1**
-  **x1**
-  **x1**
-  **x2**
-  **x2**
-  **x2**
-  **x2**
-  **x2**
-  **x4**
-  **x4**
-  **x10**

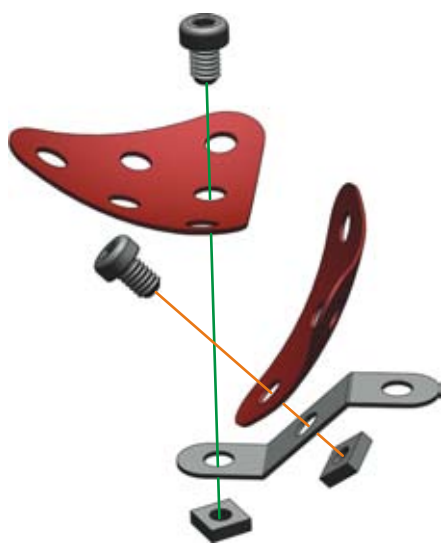
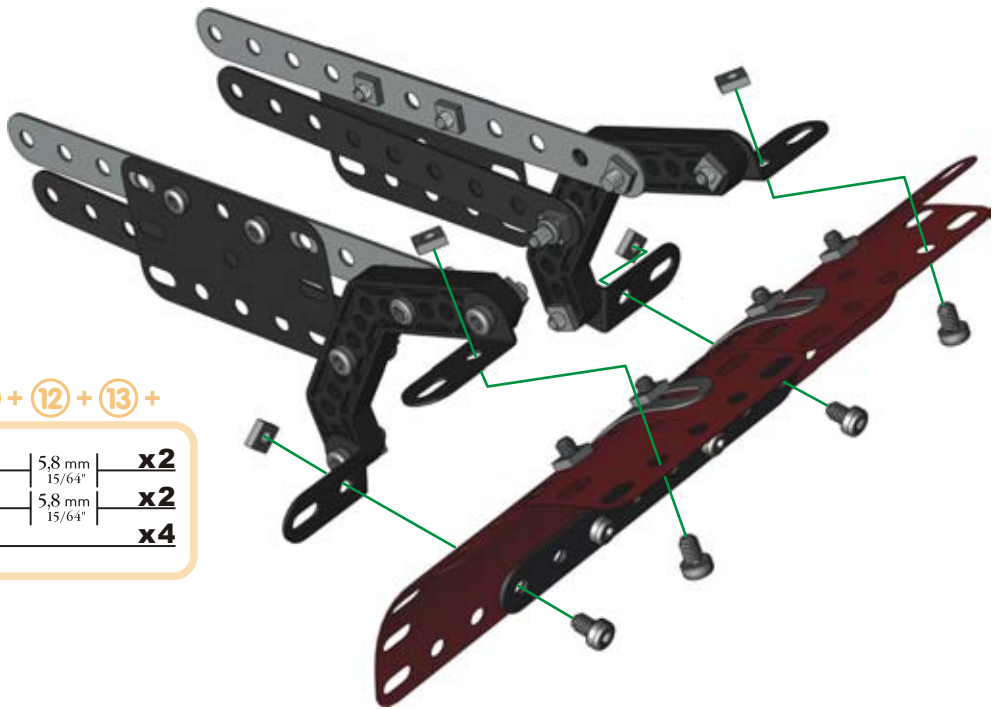
**10**

-  **x2**
-  **x2**
-  **x1**
-  **x2**
-  **x2**
-  **x4**
-  **x6**





11**x2=****12****Ⓜ+****13****Ⓜ+**

14 ⑩ + ⑫ + ⑬ +










	5,8 mm 15/64"	x2
	5,8 mm 15/64"	x2
		x4

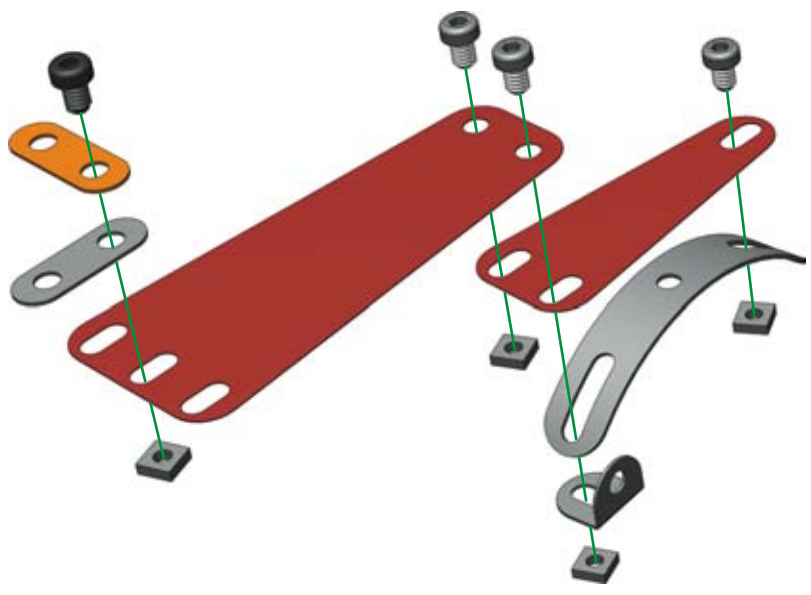


15

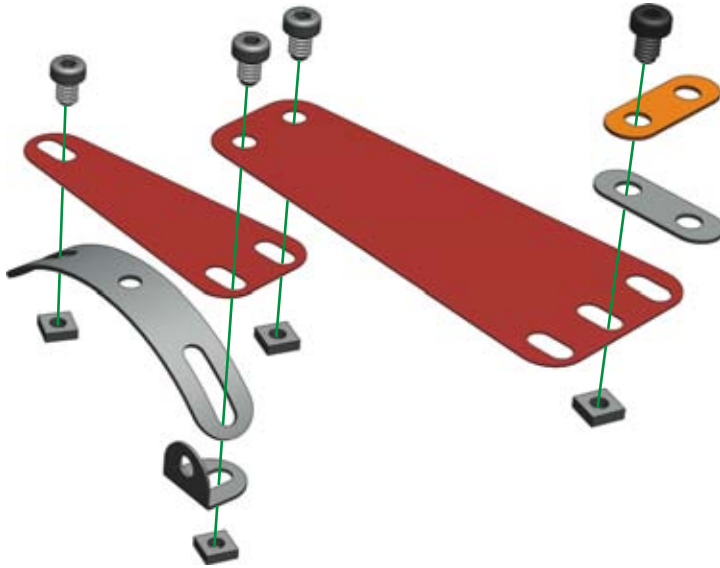
		x2
		x1
	5,8 mm 15/64"	x2
		x2

16

		x1
		x1
		x1
		x1
		x1
		x1
	5,8 mm 15/64"	x1
	5,8 mm 15/64"	x3
		x4



17

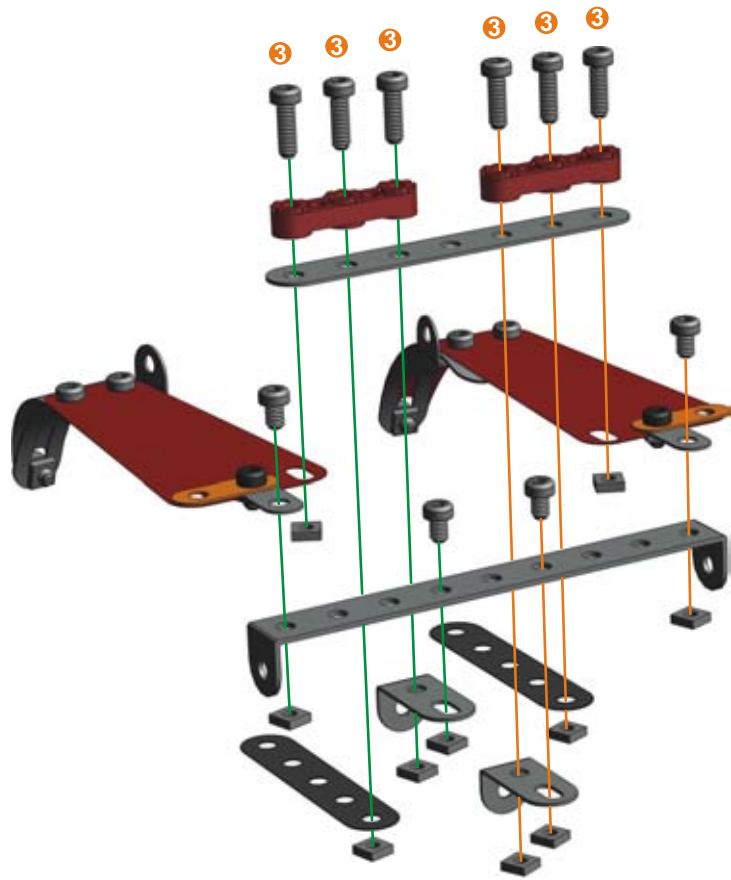


- x1
- x1
- x1
- x1
- x1
- x1
- 5,8 mm 15/64" x1
- 5,8 mm 15/64" x3
- x4

18

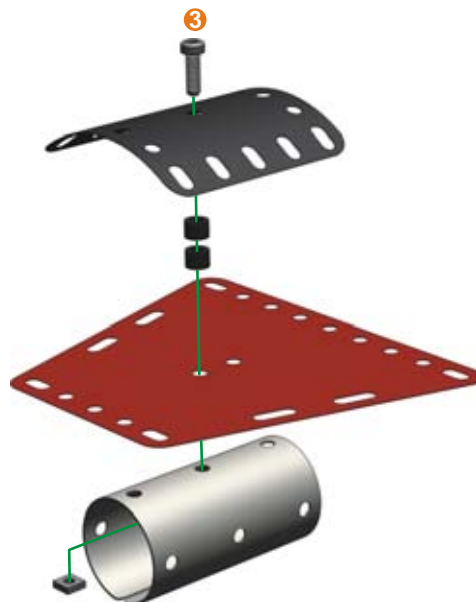
16 + 17 +

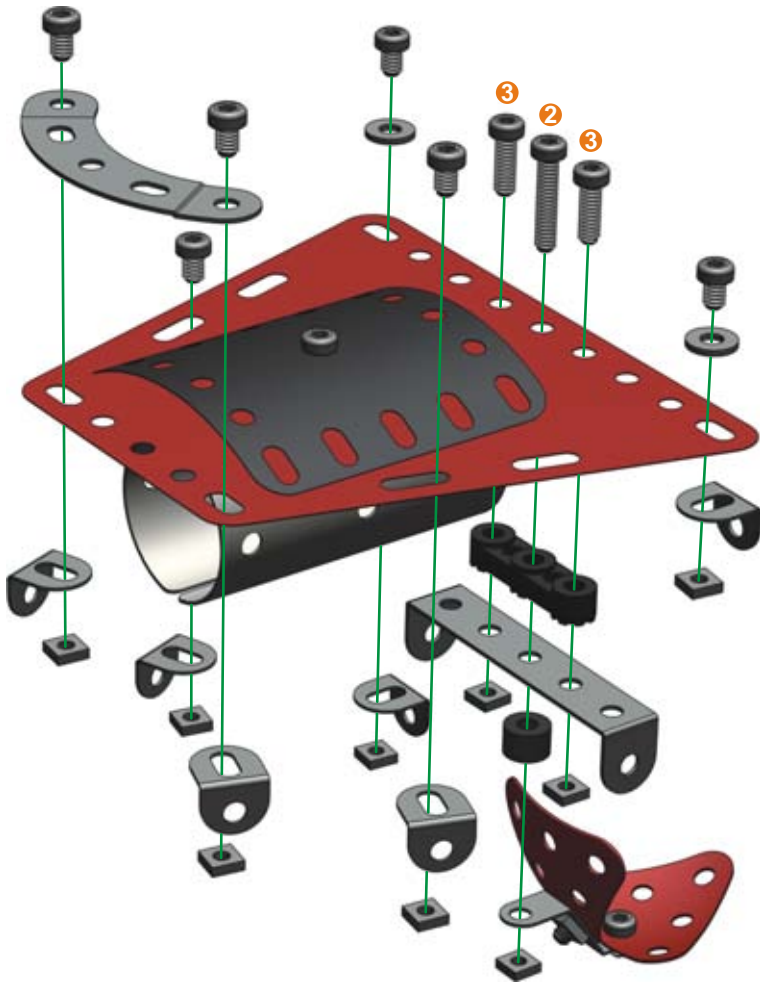
- x1
- x1
- x2
- x2
- x2
- 3 12 mm 1/2" x6
- 5,8 mm 15/64" x4
- x10



19

- x1
- x1
- x1
- x2
- 3 12 mm 1/2" x1
- x1





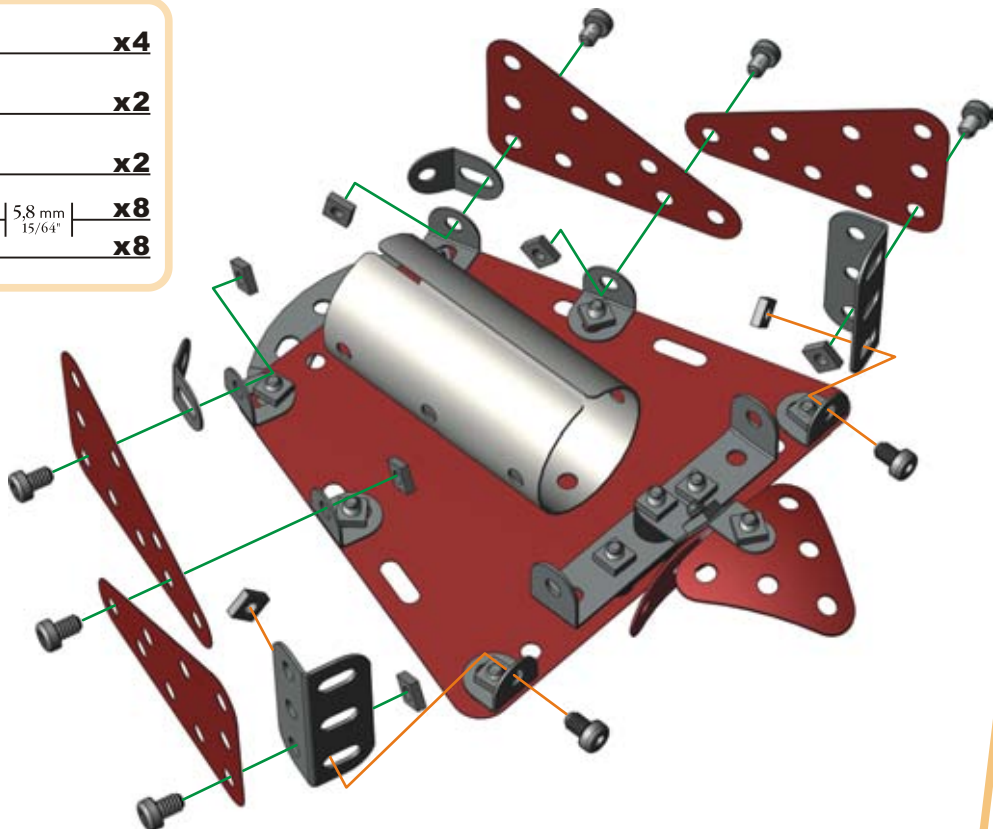
20

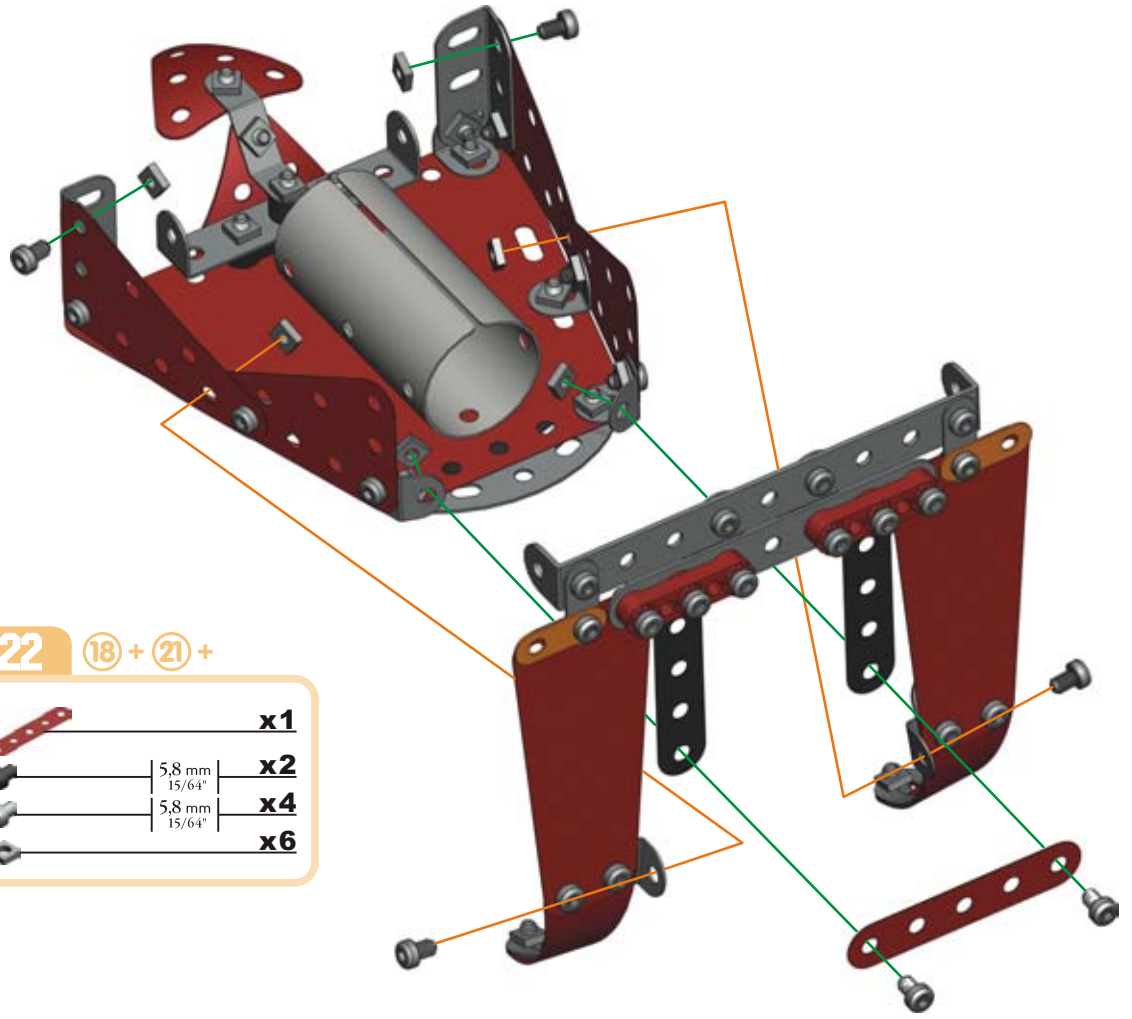
15 + 19 +

		x1
		x1
		x1
		x6
		x1
	2 19 mm 3/4"	x1
	3 12 mm 1/2"	x2
	5,8 mm 15/64"	x6
		x2
		x9

21

		x4
		x2
		x2
	5,8 mm 15/64"	x8
		x8

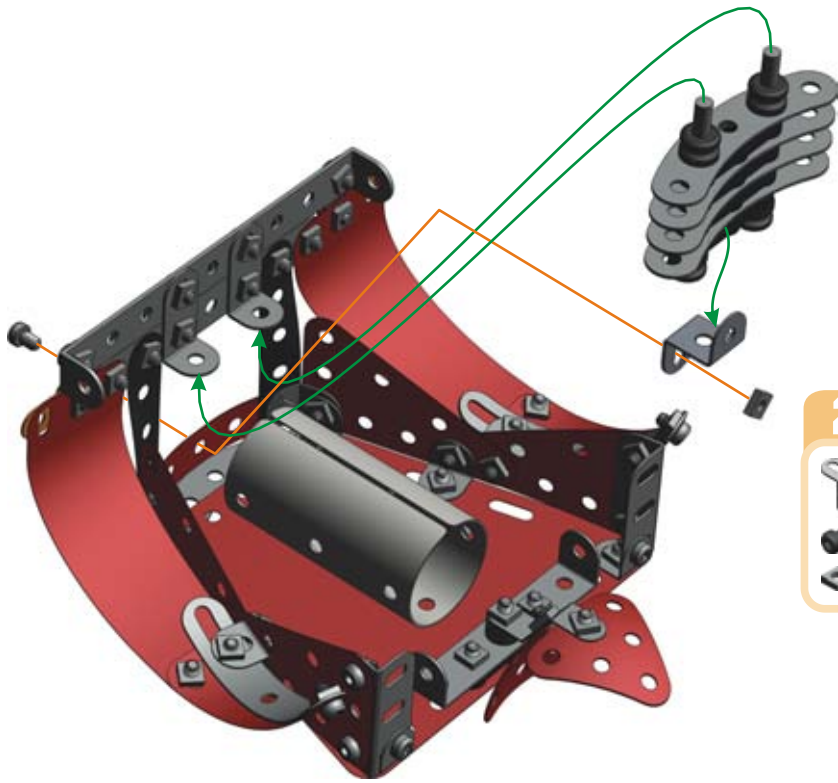




- 22** (18) + (21) +
- | | | |
|--|------------------|-----------|
| | | x1 |
| | 5,8 mm
15/64" | x2 |
| | 5,8 mm
15/64" | x4 |
| | | x6 |

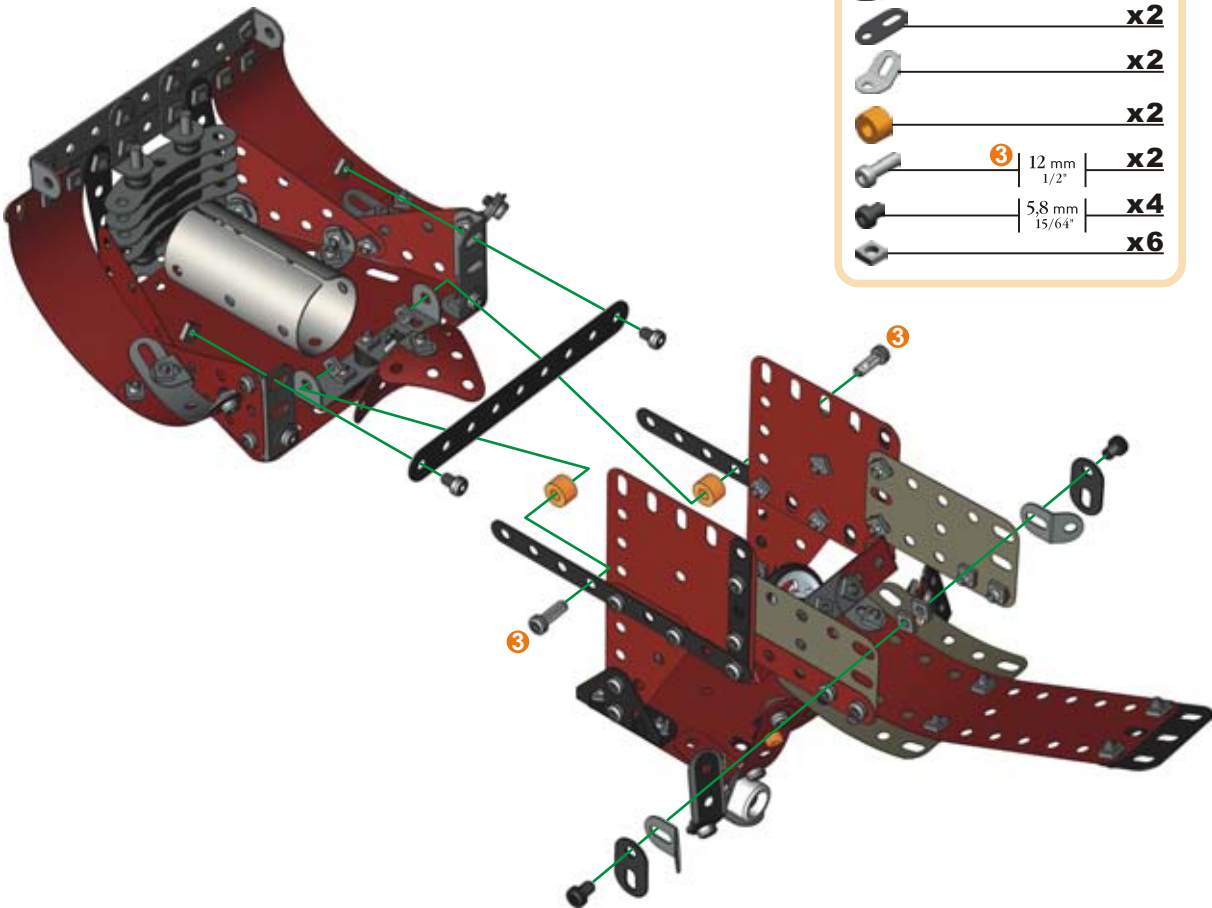


- 23**
- | | | |
|--|-------------|-----------|
| | | x4 |
| | 50 mm
2" | x2 |
| | | x4 |
| | | x4 |



24 (22) + (23) +





	x1
	x1
	x1



25 (9) + (24) +





	x1
	x2
	x2
	x2
	x2
	x4
	x6

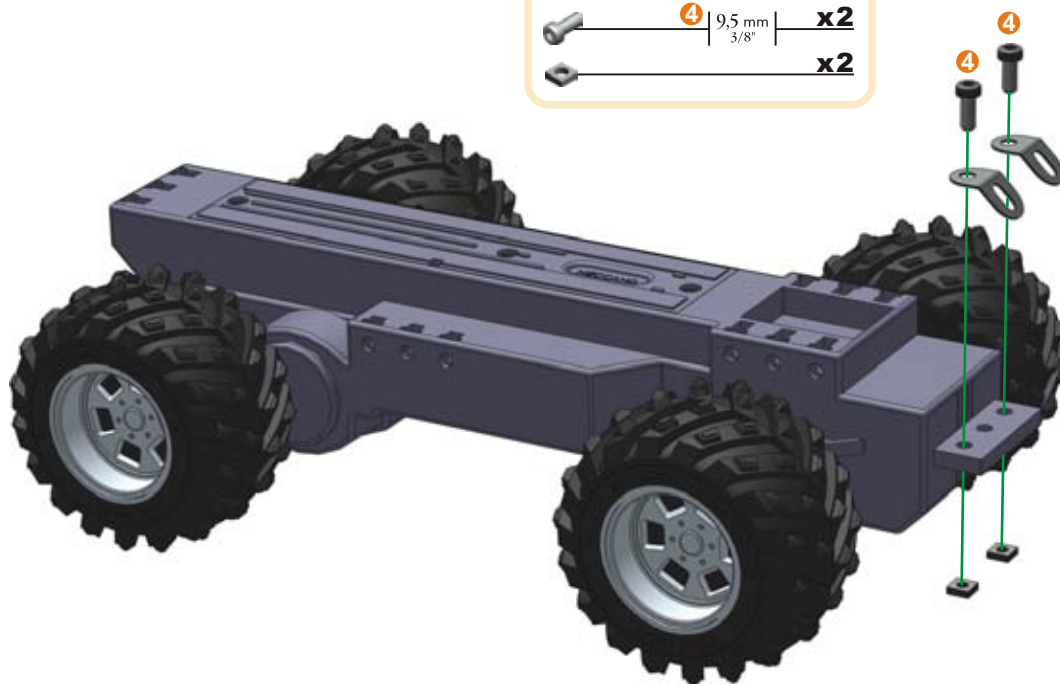
26 (14) +

-  75 mm | 3" | **x1**
-  **x2**
-  **x2**
-  **x2**



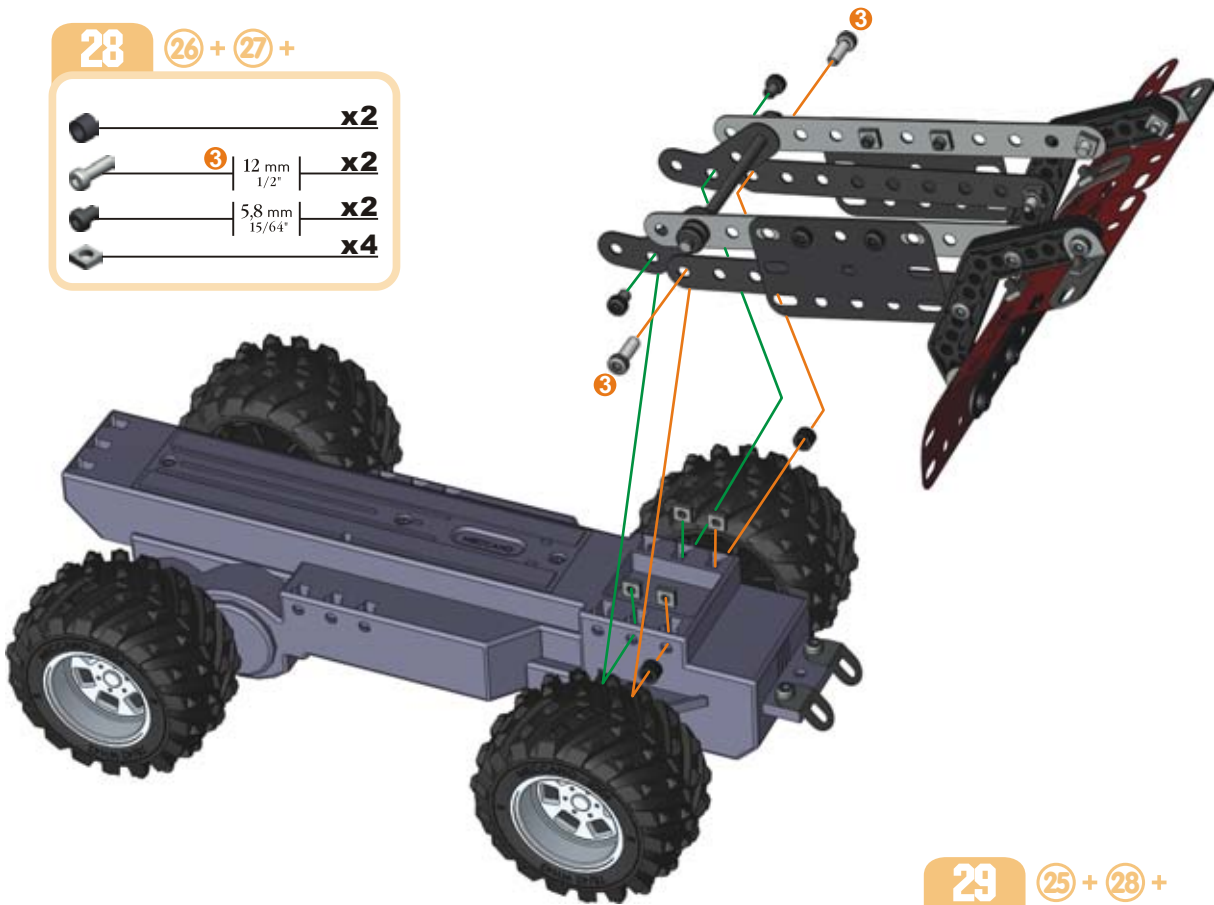
27

-  **x1**
-  **x2**
-  4 | 9,5 mm | 3/8" | **x2**
-  **x2**

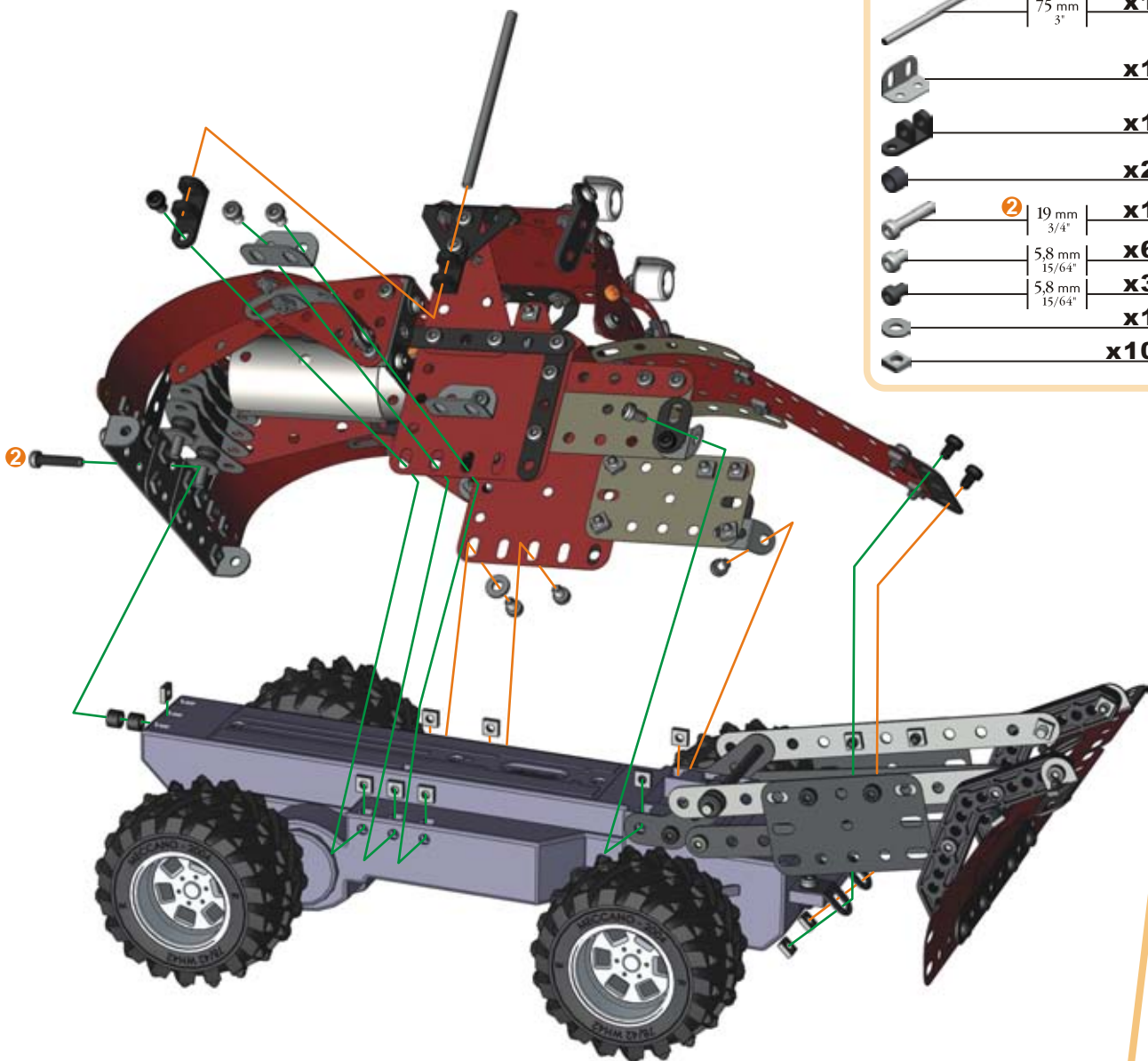


28**(26) + (27) +**

		x2
	12 mm 1/2"	x2
	5,8 mm 15/64"	x2
		x4

**29****(25) + (28) +**

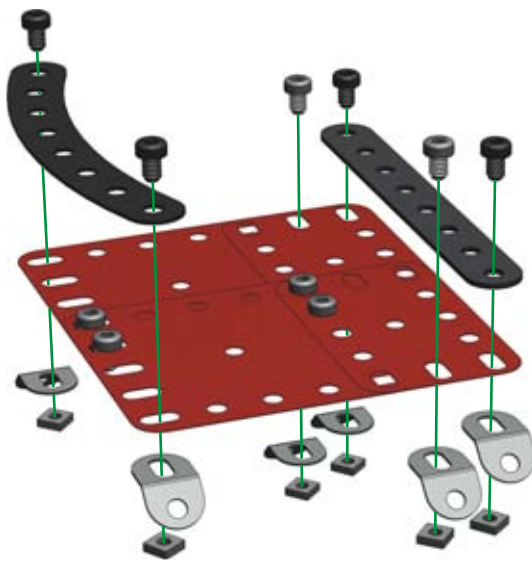
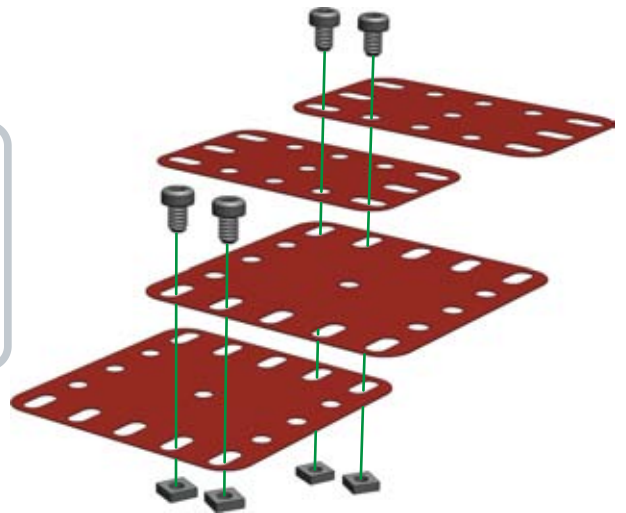
	75 mm 3"	x1
		x1
		x1
		x2
	19 mm 3/4"	x1
	5,8 mm 15/64"	x6
	5,8 mm 15/64"	x3
		x1
		x10





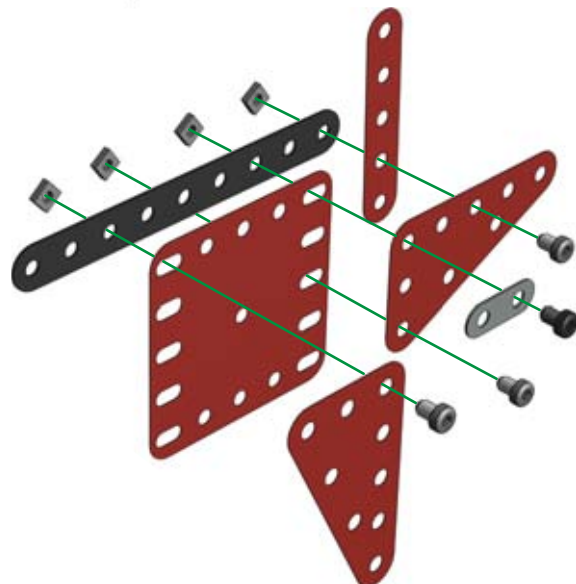
1

	_____	x2
	_____	x2
	5,8 mm 15/64"	x4
	_____	x4



2









	_____	x1
	_____	x1
	_____	x6
	5,8 mm 15/64"	x4
	5,8 mm 15/64"	x2
	_____	x6

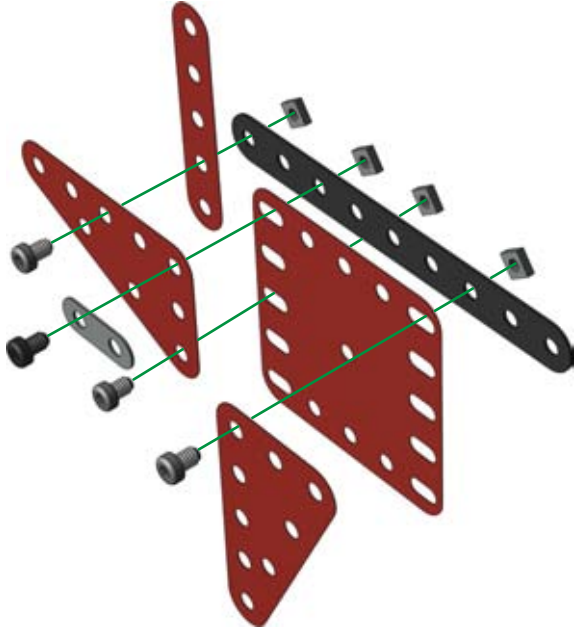


3

	_____	x1
	_____	x1
	_____	x2
	_____	x1
	_____	x1
	5,8 mm 15/64"	x1
	5,8 mm 15/64"	x3
	_____	x4





4

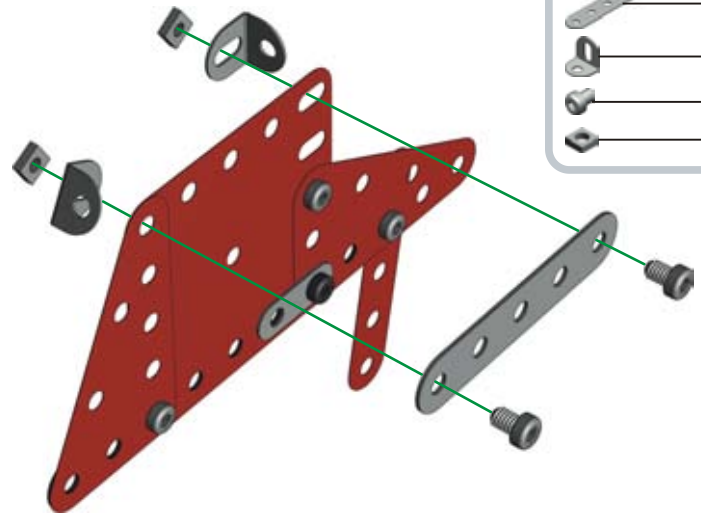
-  **x1**
-  **x1**
-  **x2**
-  **x1**
-  **x1**
-  **x1**
-  **x3**
-  **x4**



5





④ +

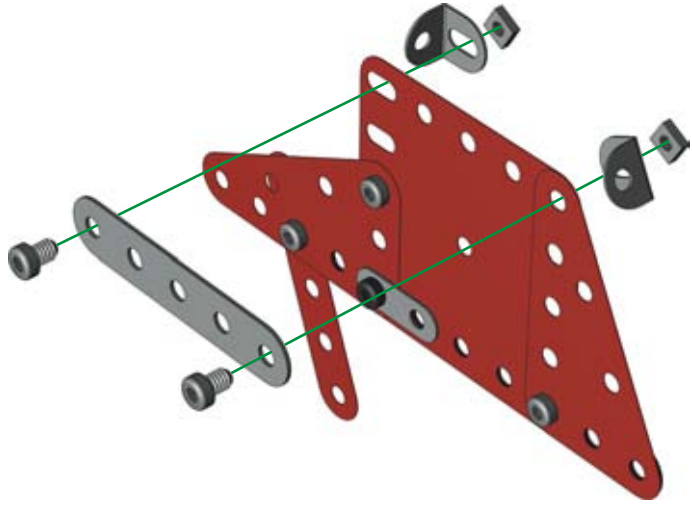
-  **x1**
-  **x2**
-  **x2**
-  **x2**



6

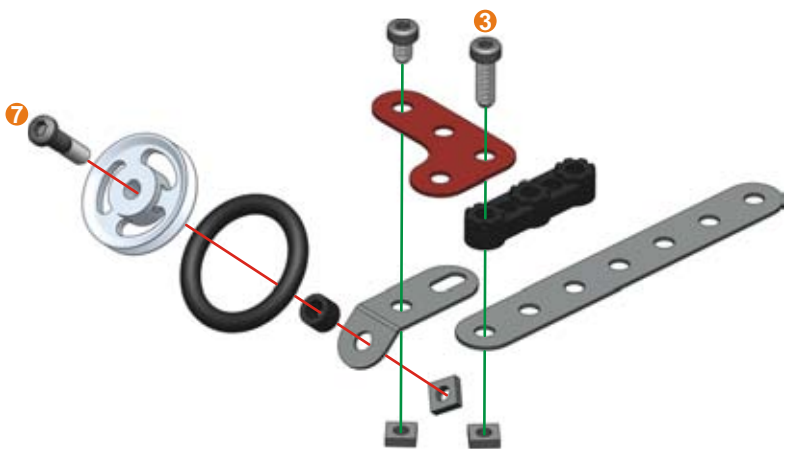
③ +

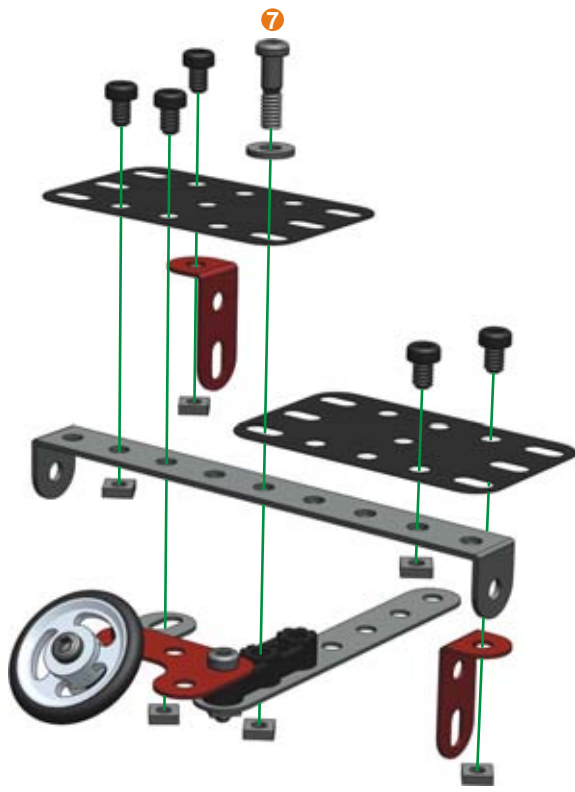
-  **x1**
-  **x2**
-  **x2**
-  **x2**


















7

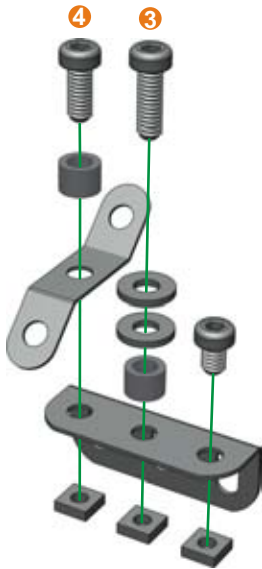
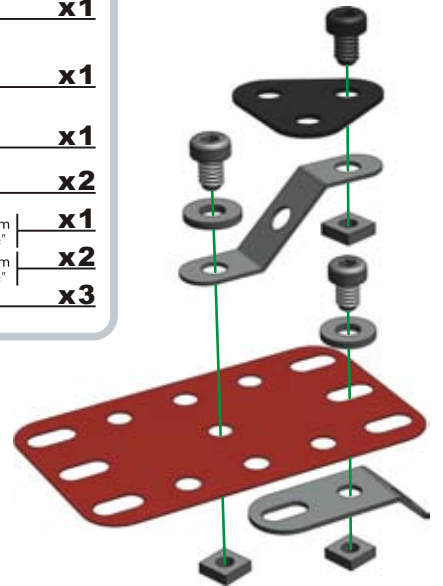
-  **x1**
-  **x1**
-  **x1**
-  **x1**
-  **x1**
-  **x1**
-  **x1**
-  **x1**
-  **x1**
-  **x1**
-  **x3**














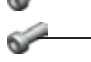






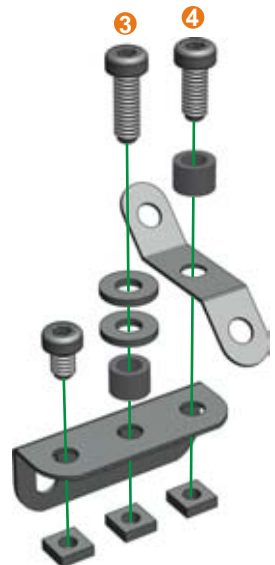
- 8**
-  **x1**
 -  **x2**
 -  **x2**
 -  **x1**
 -  **x1** | 14,7 mm | 37/64"
 -  **x5** | 5,8 mm | 15/64"
 -  **x6**

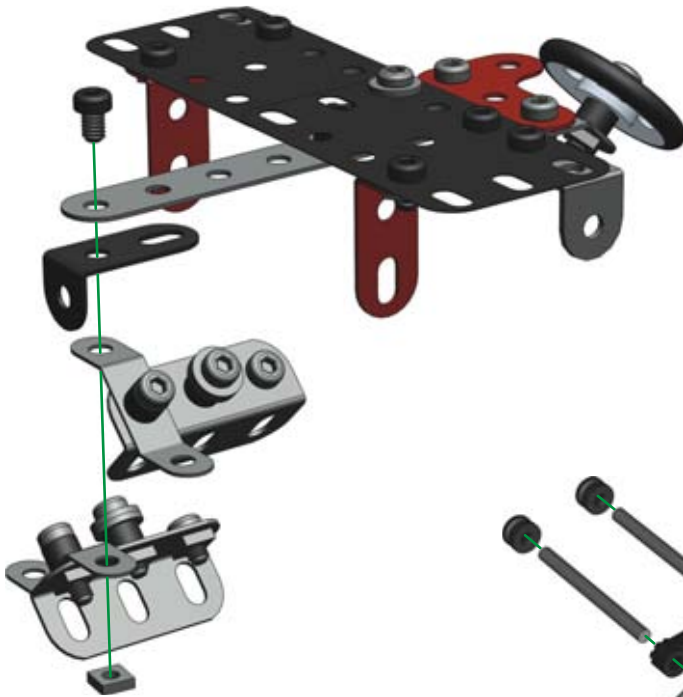
- 9**
-  **x1**
 -  **x1**
 -  **x1**
 -  **x1**
 -  **x2**
 -  **x1** | 5,8 mm | 15/64"
 -  **x2** | 5,8 mm | 15/64"
 -  **x3**



- 10**
-  **x1**
 -  **x1**
 -  **x2**
 -  **x2**
 -  **x1** | 12 mm | 1/2" | **3**
 -  **x1** | 9,5 mm | 3/8" | **4**
 -  **x1** | 5,8 mm | 15/64"
 -  **x3**

- 11**
-  **x1**
 -  **x1**
 -  **x2**
 -  **x2**
 -  **x1** | 12 mm | 1/2" | **3**
 -  **x1** | 9,5 mm | 3/8" | **4**
 -  **x1** | 5,8 mm | 15/64"
 -  **x3**



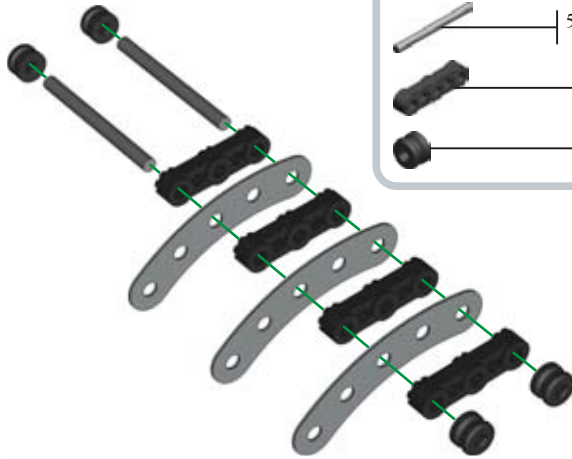


12 (8) + (10) + (11) +

	x1
	x1
	x1

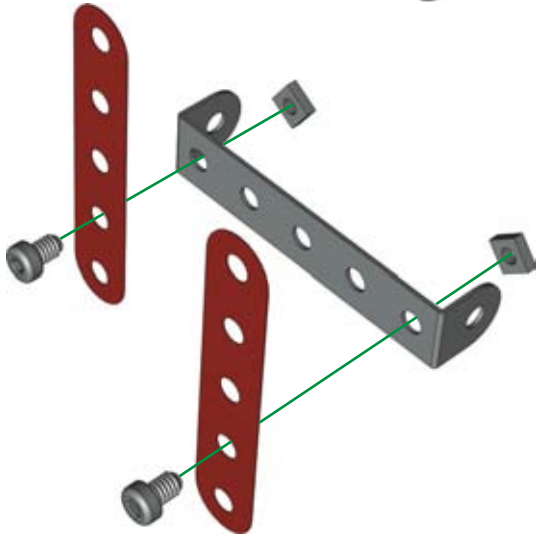
13

	x3
	x2
	x4
	x4



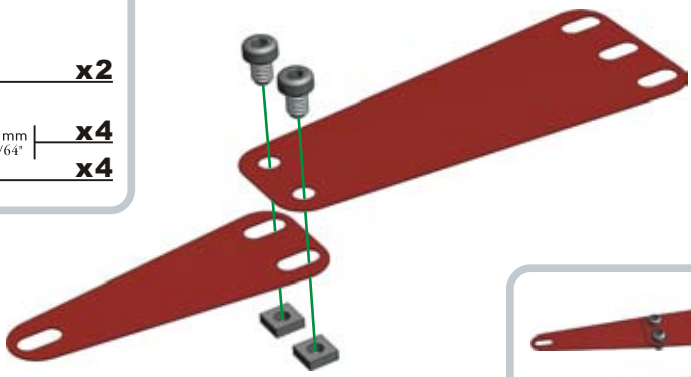
14

	x1
	x2
	x2
	x2



15

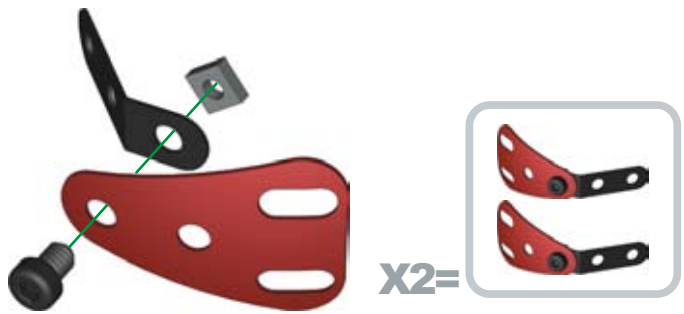
	x2
	x2
	x4
	x4



X2=

16

	x2
	x2
	5,8 mm 15/64" x2
	x2

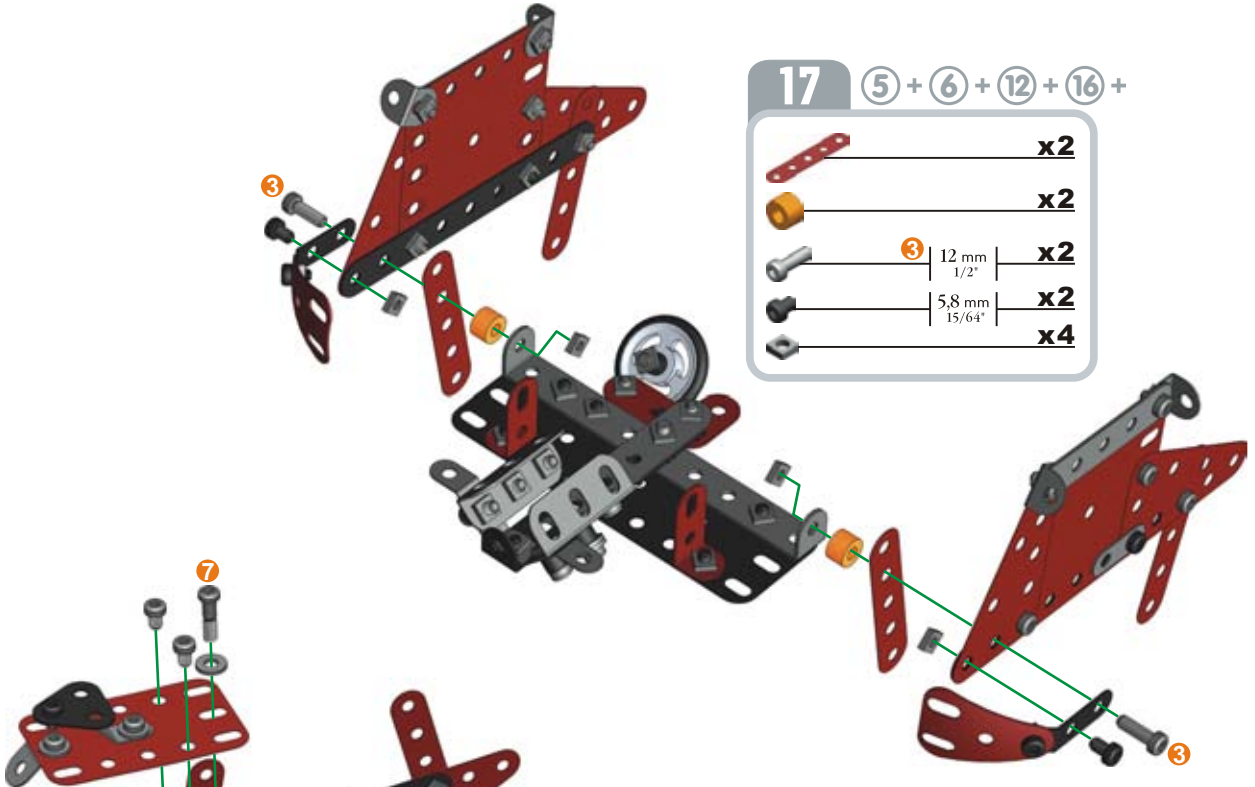


x2=

17

5 + 6 + 12 + 16 +

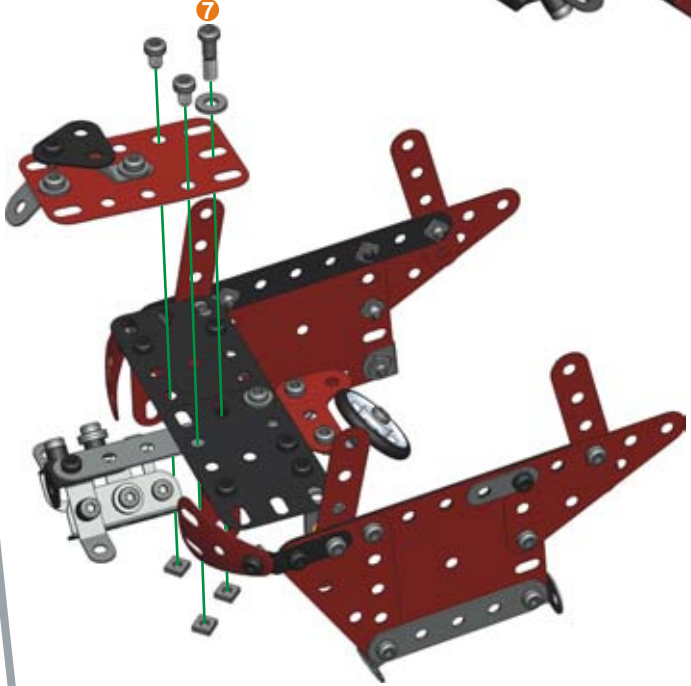
	x2
	x2
	3 12 mm 1/2" x2
	5,8 mm 15/64" x2
	x4



18

9 + 17 +

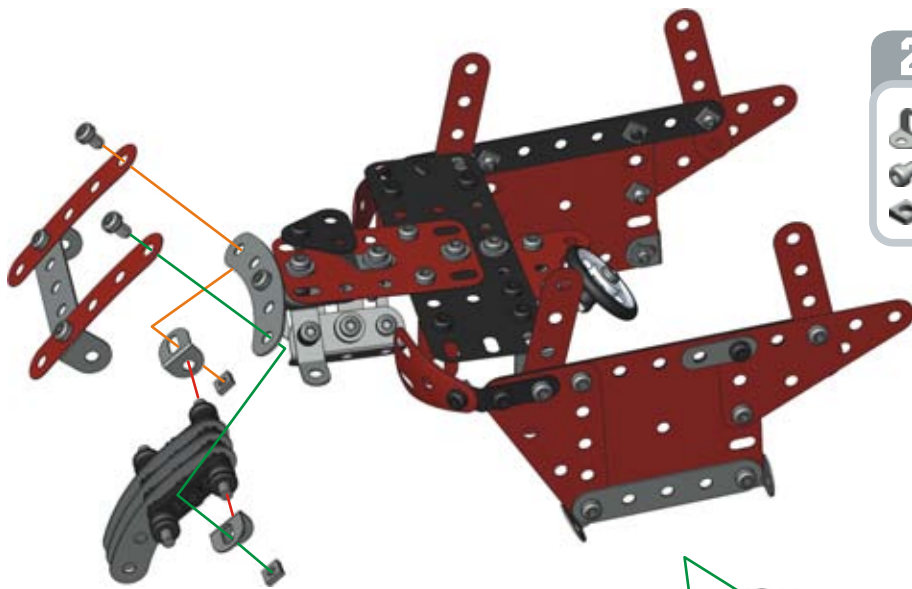
	x1
	7 14,7 mm 37/64" x1
	5,8 mm 15/64" x2
	x3



19

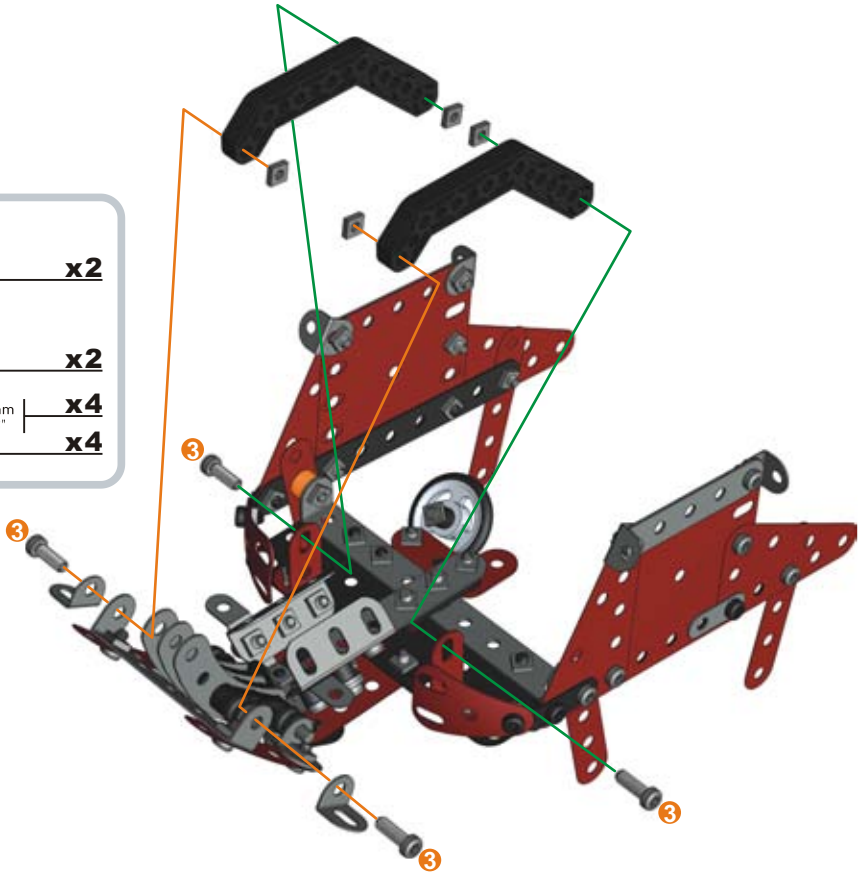
	x1
	5,8 mm 15/64" x1
	x1



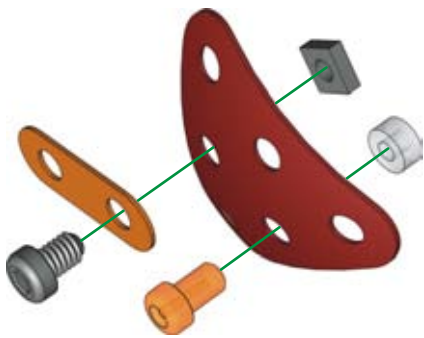


- 20** (13) + (14) + (19) +
- x2
 - 5,8 mm | 15/64" | x2
 - x2

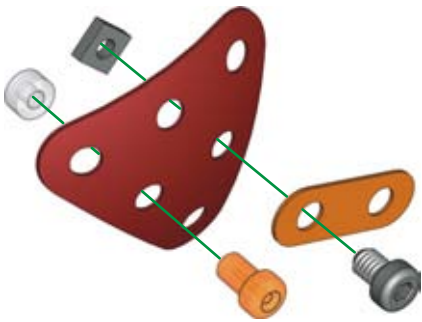
- 21**
- x2
 - x2
 - 12 mm | 1/2" | **3** x4
 - x4



- 22**
- x1
 - x1
 - x1
 - x1
 - 5,8 mm | 15/64" | x1
 - x1

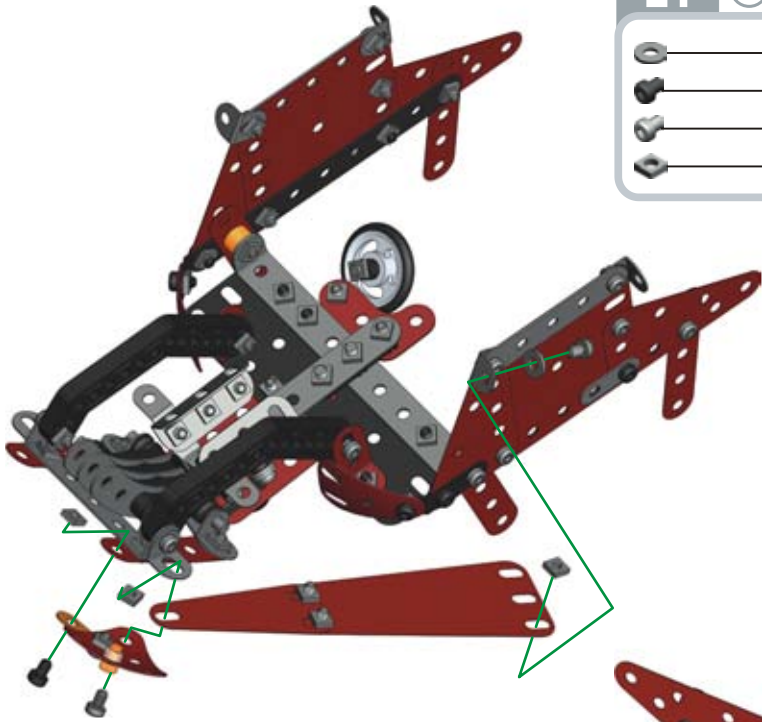


- 23**
- x1
 - x1
 - x1
 - x1
 - 5,8 mm | 15/64" | x1
 - x1

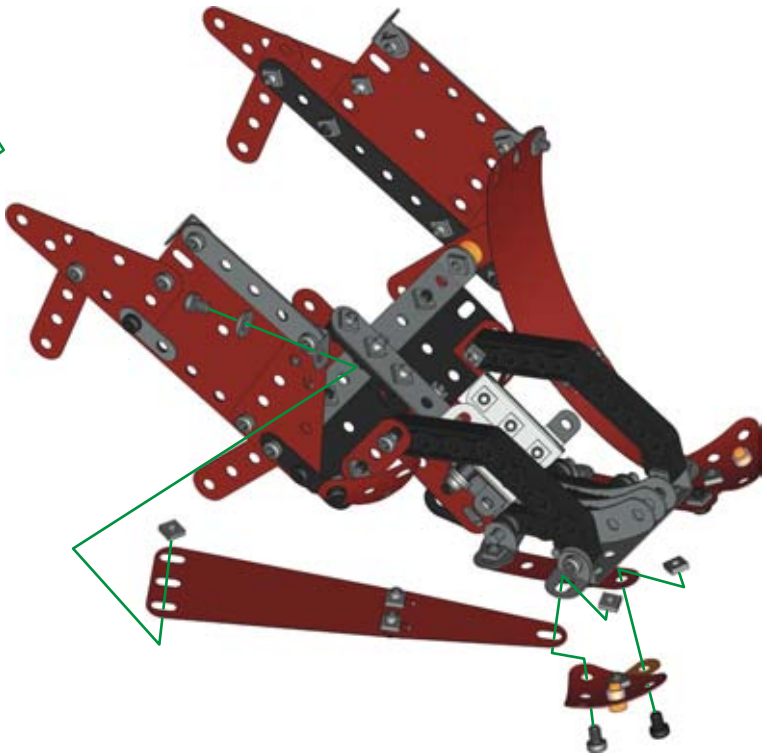


24**15 + 21 + 23 +**

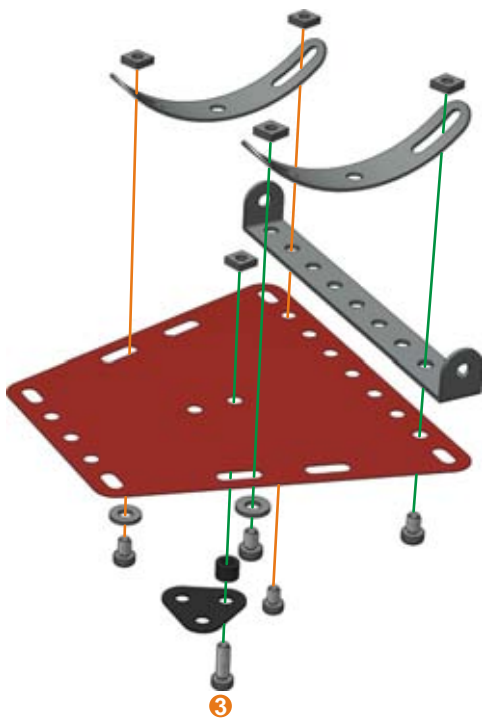
		x1
	5,8 mm 15/64"	x1
	5,8 mm 15/64"	x2
		x3

**25****15 + 22 + 24 +**

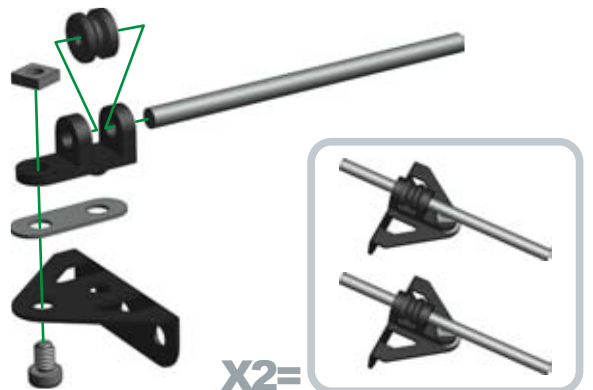
		x1
	5,8 mm 15/64"	x1
	5,8 mm 15/64"	x2
		x3

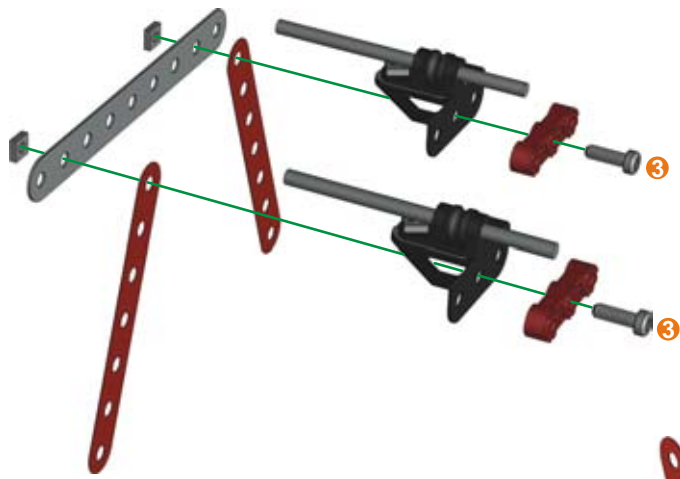
**26**

	x1		x2
	x1		x1
			x1
			x2
			x1
			x4
			x5

**27**

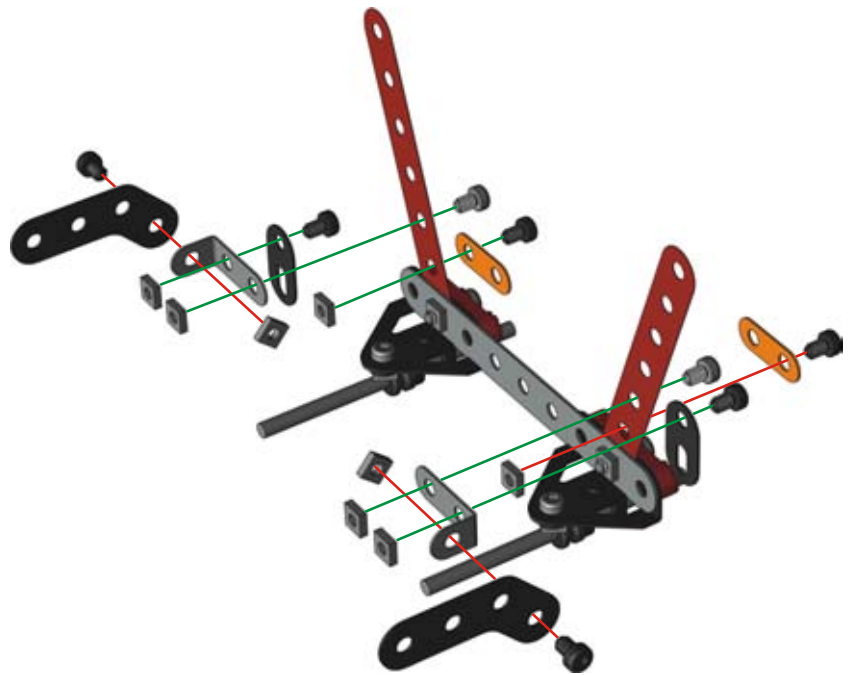
	75 mm 3"	x2
		x2
		x2
		x2
		x2
		x2
	5,8 mm 15/64"	x2
		x2

**x2=**



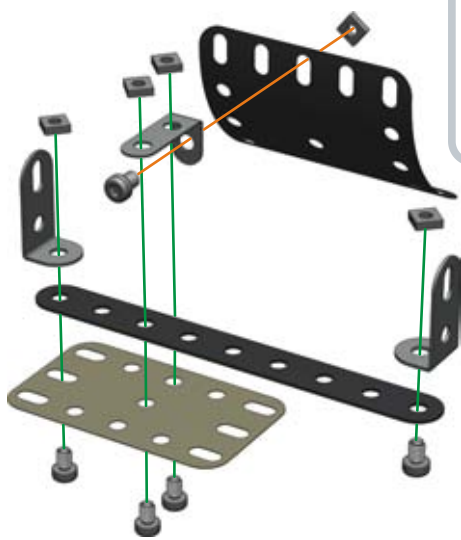
- 28**
- x1
 - x2
 - x2
 - x2
 - x2
 - x2

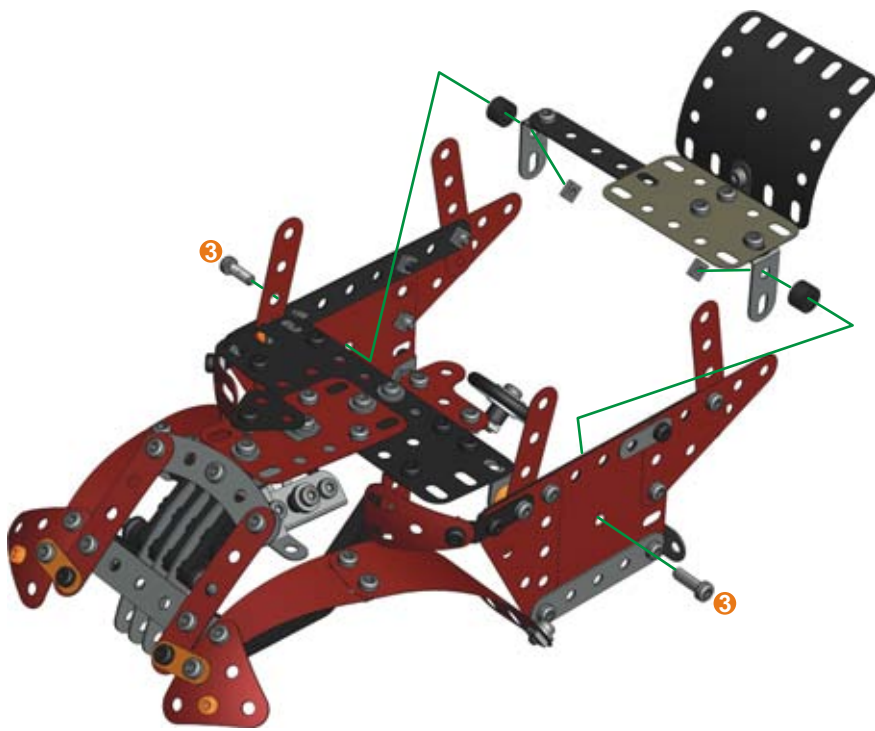
- 29**
- x2
 - x2
 - x2
 - x2
 - x6
 - x2
 - x8



- 30** (26) + (29) +
- x2
 - x2
 - x2

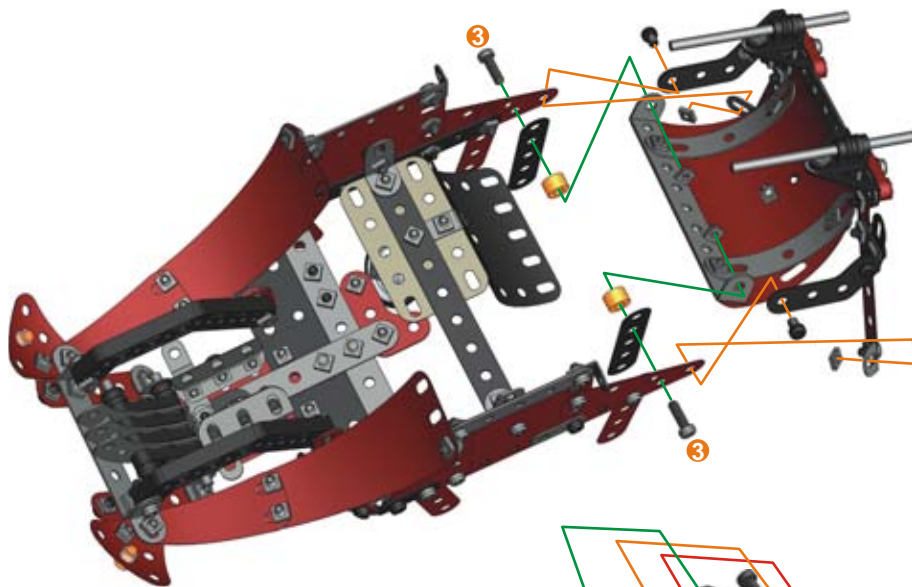
- 31**
- x1
 - x1
 - x1
 - x2
 - x1
 - x1
 - x5
 - x5





32 (25) + (31) +

		x2
	(3) 12 mm 1/2"	x2
		x2

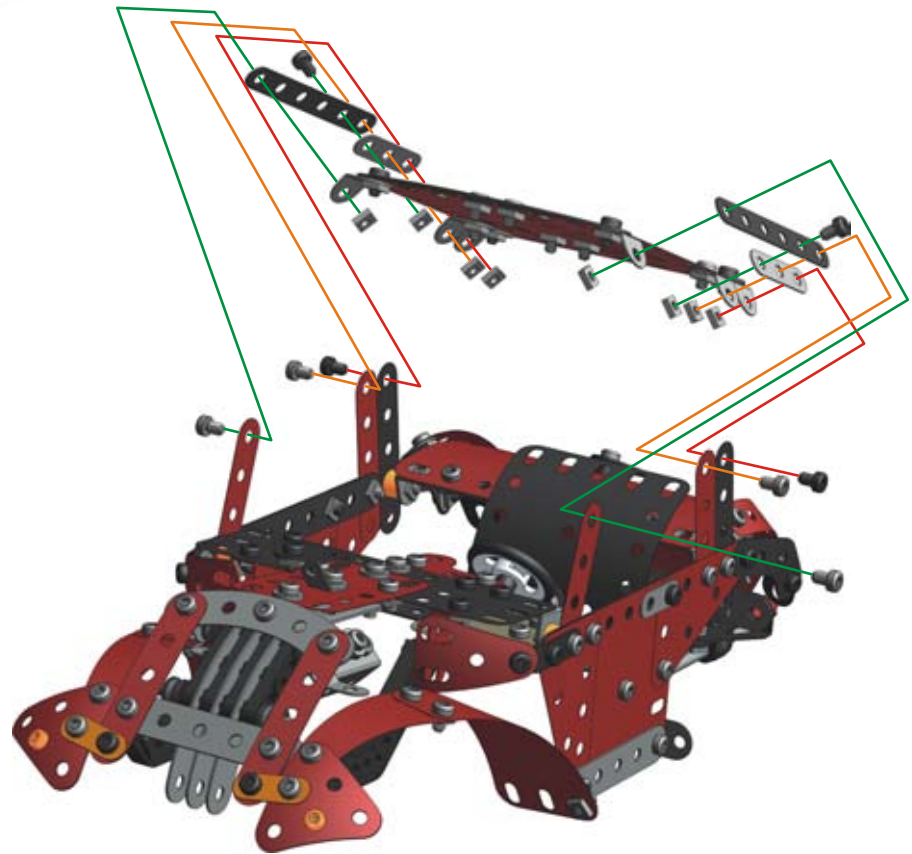


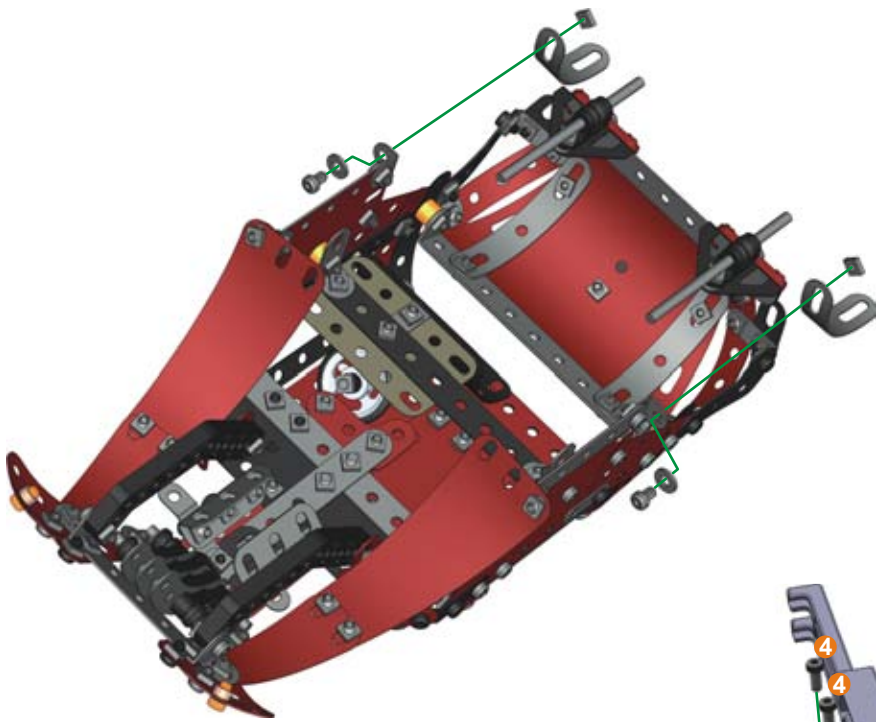
33 (30) + (32) +

		x2
		x2
	(3) 12 mm 1/2"	x2
	5,8 mm 15/64"	x2
		x4





34 (2) + (33) +

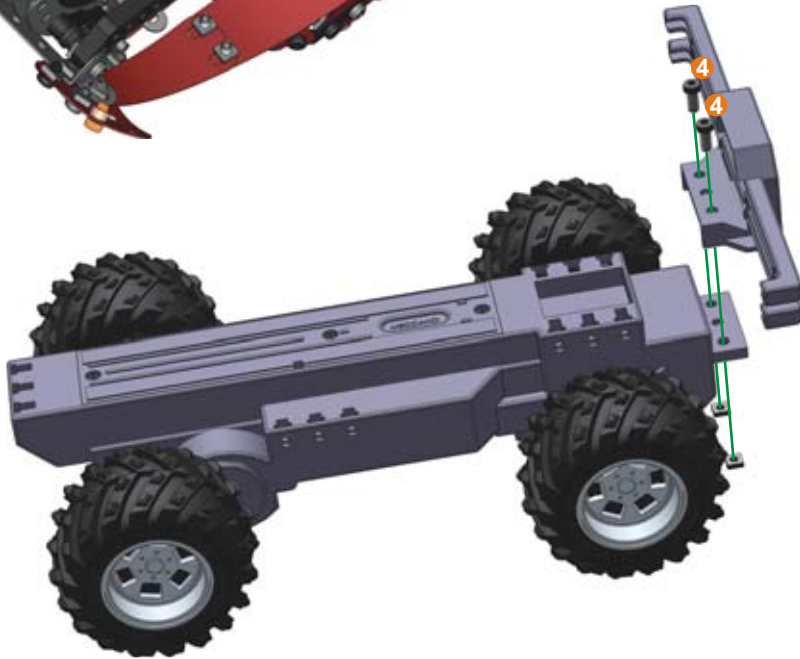
		x2
		x2
	5,8 mm 15/64"	x4
	5,8 mm 15/64"	x4
		x8









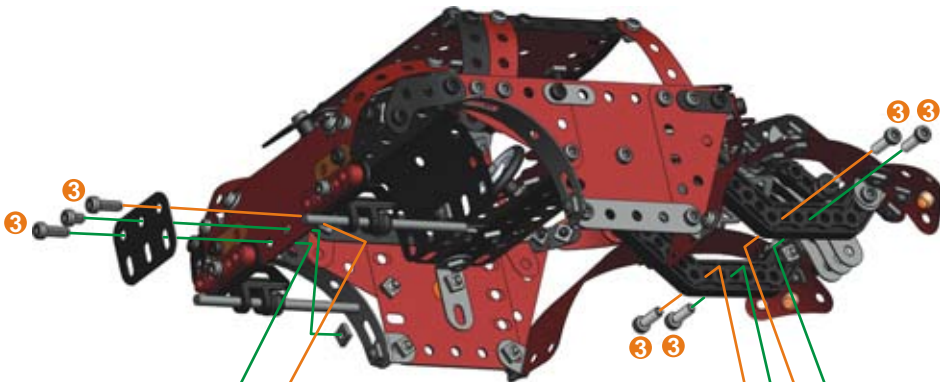
35

-  x2
-  x2
-  5,8 mm | 15/64" x2
-  x2








36

-  x1
-  x1
-  4 | 9,5 mm | 3/8" x2
-  x2



37

35 + 36 +

-  x1
-  x2
-  3 | 12 mm | 1/2" x6
-  5,8 mm | 15/64" x1
-  x7

