

M O T I O N S Y S T E M

9550

INSTRUCTIONS
 NOTICE DE MONTAGE
 BAUANLEITUNG
 ISTRUZIONI DI MONTAGGIO
 INSTRUCCIONES DE MONTAJE
 INSTRUÇÕES DE MONTAGEM
 MONTIRINGSANVISNING
 KOKKAMISELJE
 MONTIRINGS INSTRUKTIONER
 MONTAGEHANDLEIDING
 Осьовий диверсуалымагым.
 И.С.С.Р.95.08



605

PISTON PULLEY BUSH
 PISTON PULLEY BUSH
 PISTON PULLEY BUSH
 PISTONPULLEY BUSH
 PISTONPULLEY BUSH

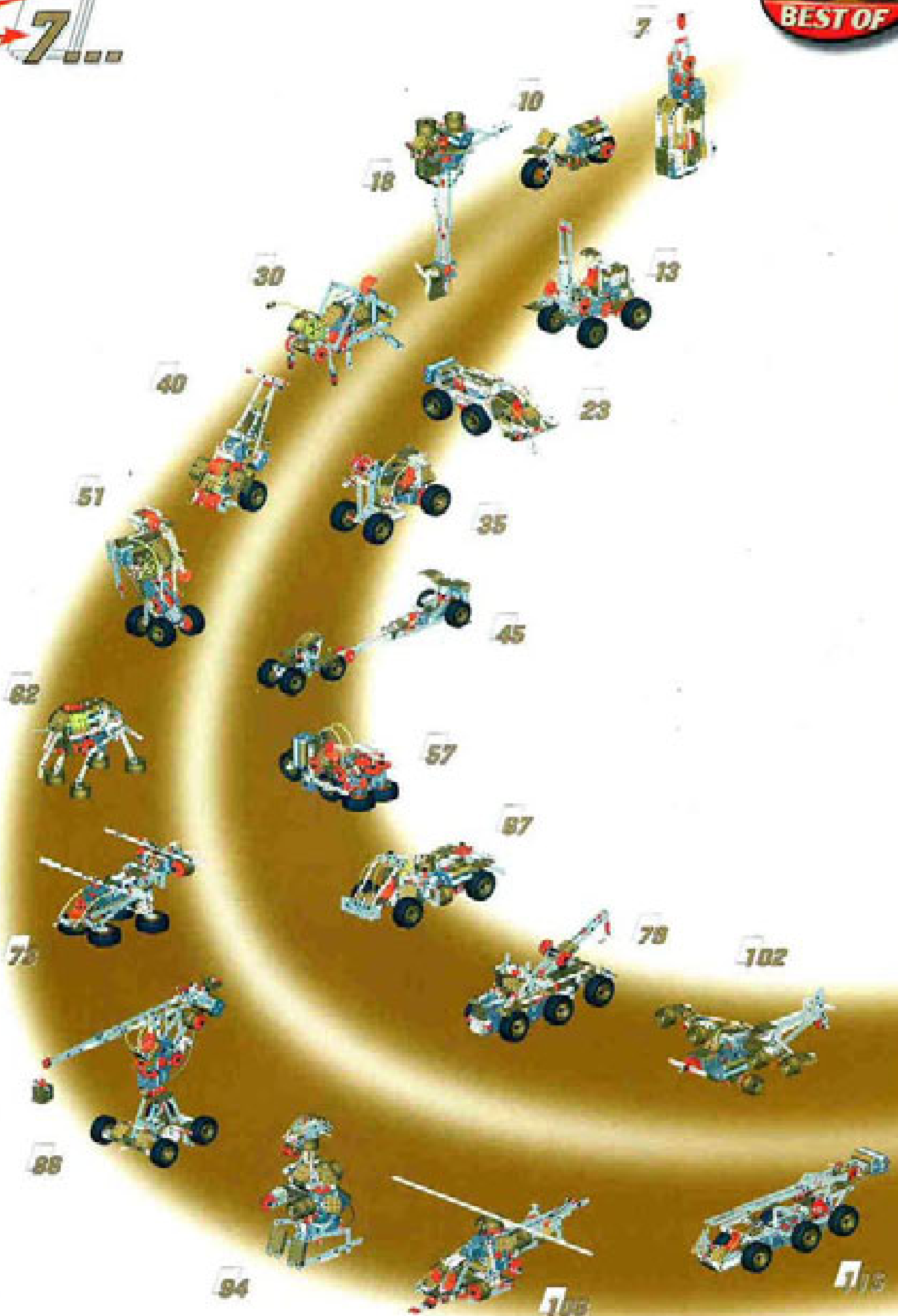
50

MOULDED HOLES
 MOULDED HOLES
 MOULDED HOLES
 MOULDED HOLES
 MOULDED HOLES

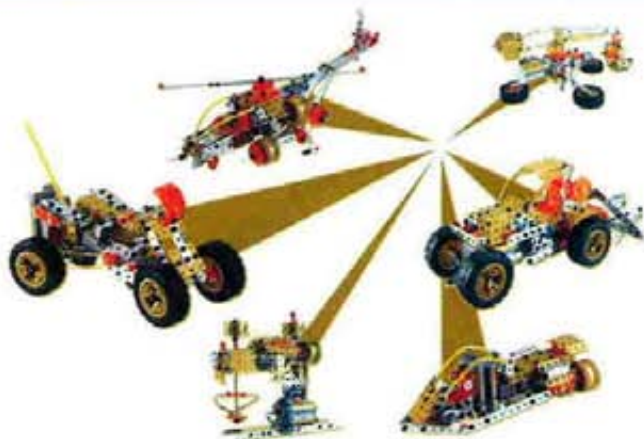
8-13

50 BEST OF

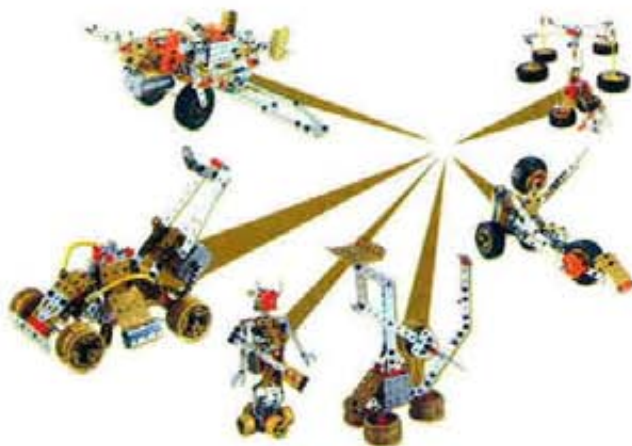




122...



124...



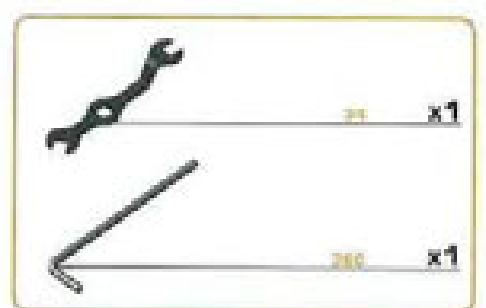
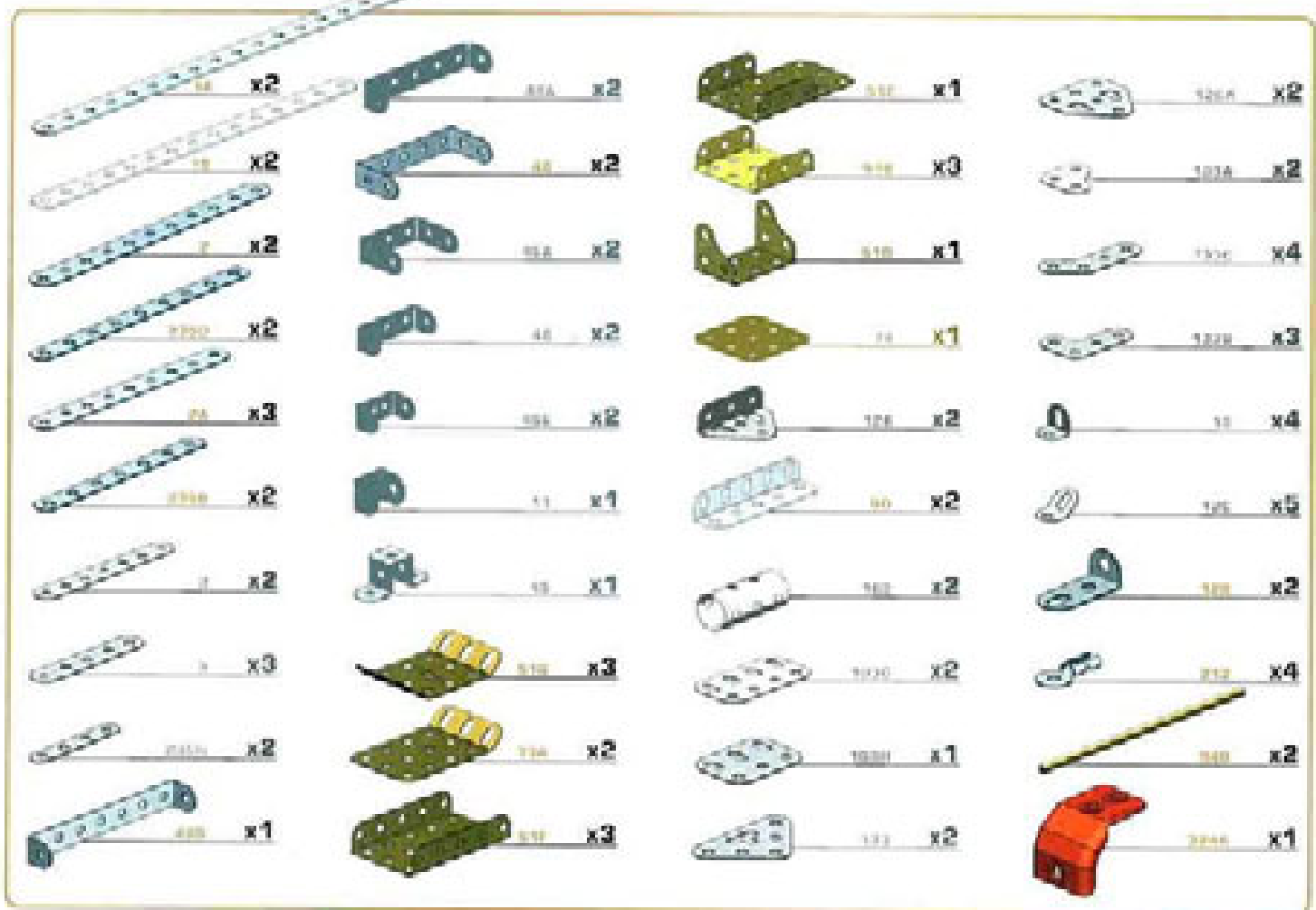
126...

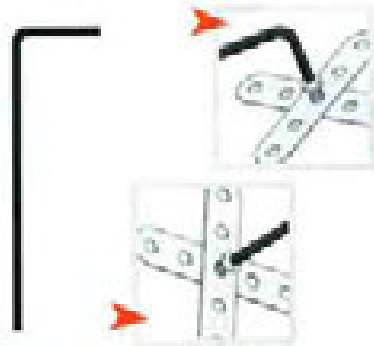


128...



130...





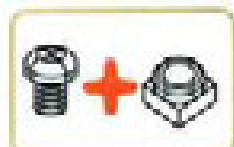
①



②



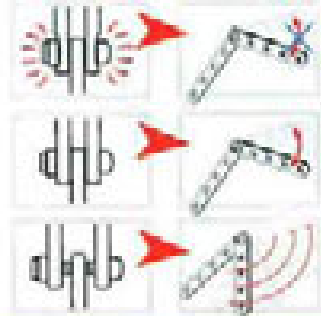
③



①



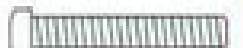
②



38 mm
1 1/2"



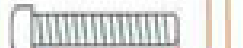
25,4 mm
1"



23 mm
29/32"



19 mm
3/4"



14,7 mm
5/8"



12 mm
1/2"



9,5 mm
3/8"



5,8 mm
9/16"



Cm



Inches



40 mm
1 1/2"



50 mm
2"



75mm
3"



90 mm
3 1/2"



100 mm
4"



130 mm
5"



Scale
Echelle
Maßstab
Scala

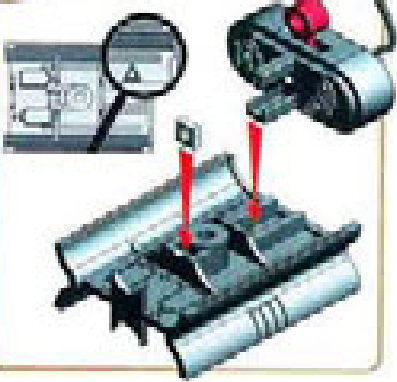
Escala
Schaal
Escala
Skala

Mittakaava
Målestok
Κλίμακα
スケール

1:1



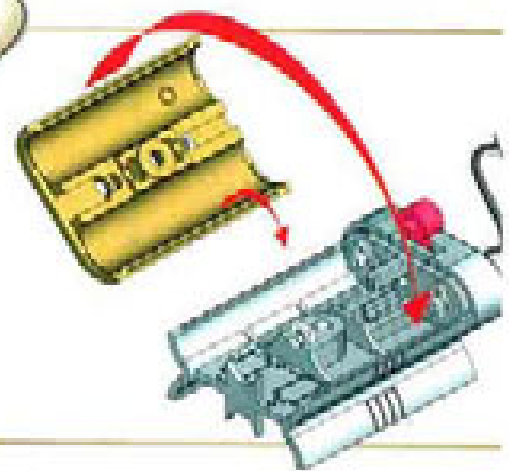
1



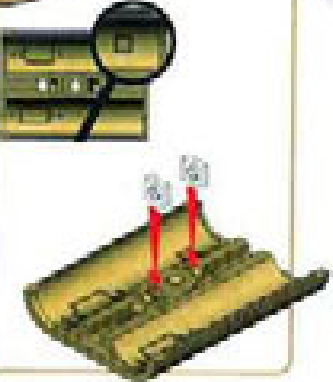
2



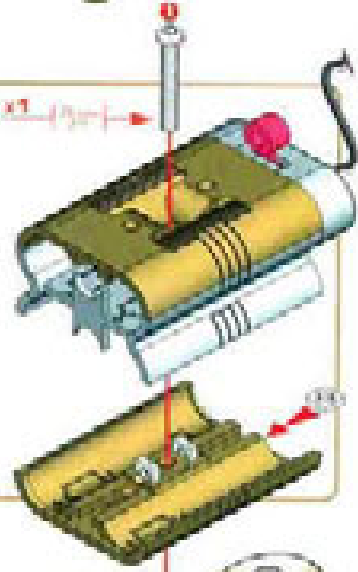
3



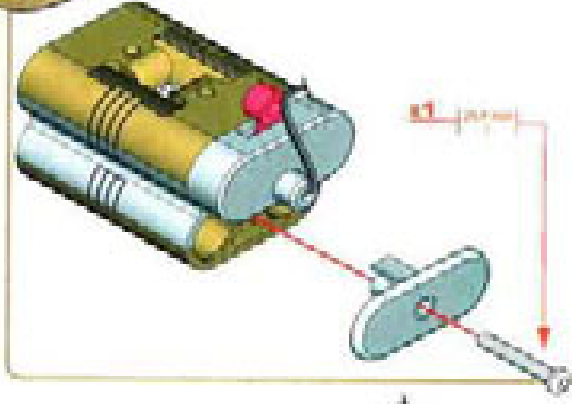
4



5

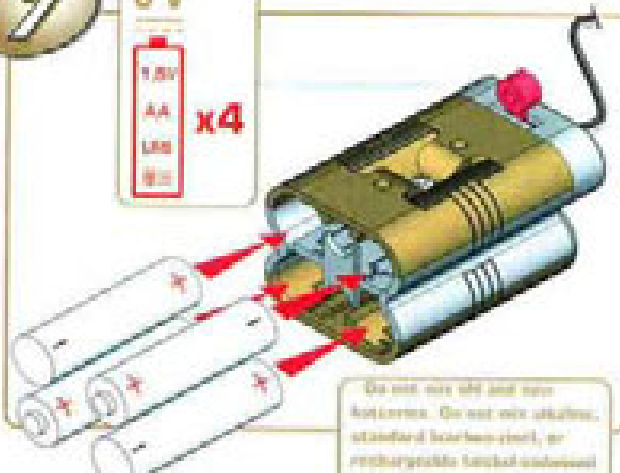


6



7

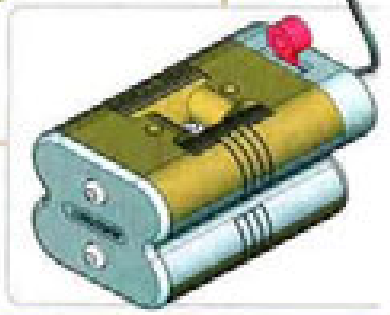
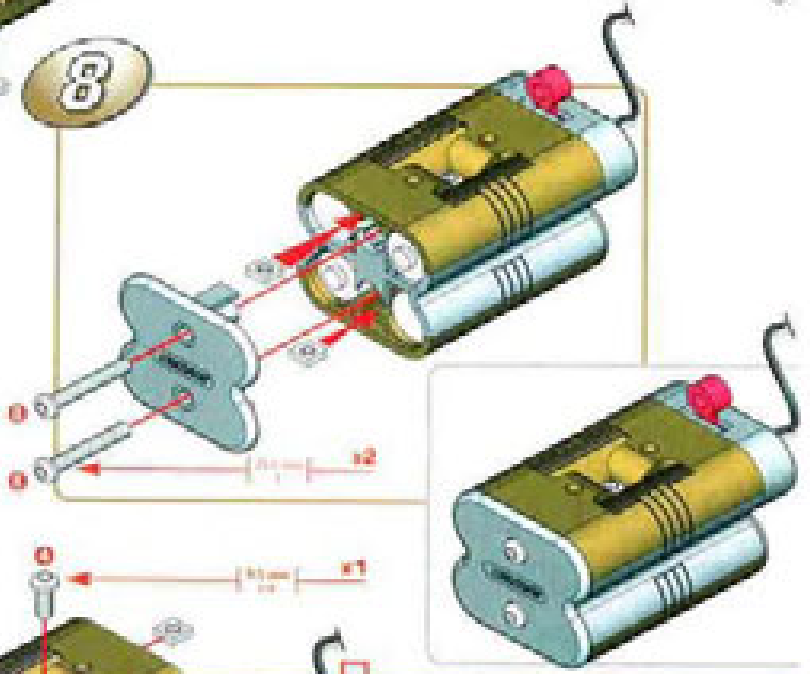
6 V
1.5V
AA
LR6
900
x4



Do not mix old and new batteries. Do not mix alkaline, standard (carbon-zinc), or rechargeable (nickel-cadmium) batteries.

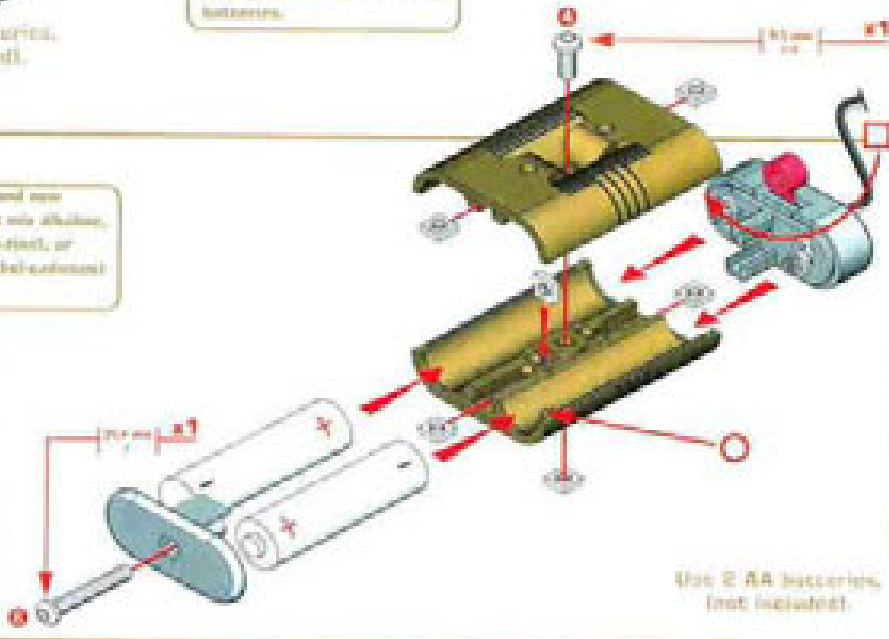
Use 4 AA batteries. (not included).

8

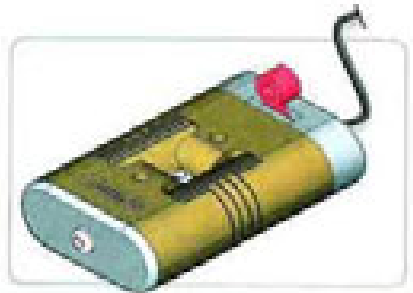


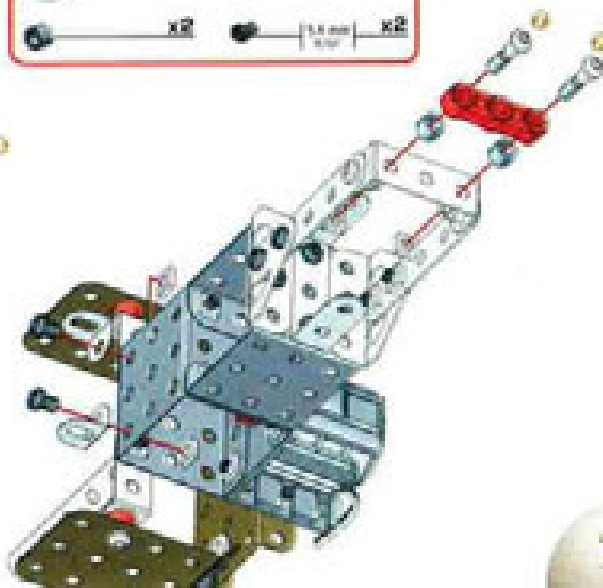
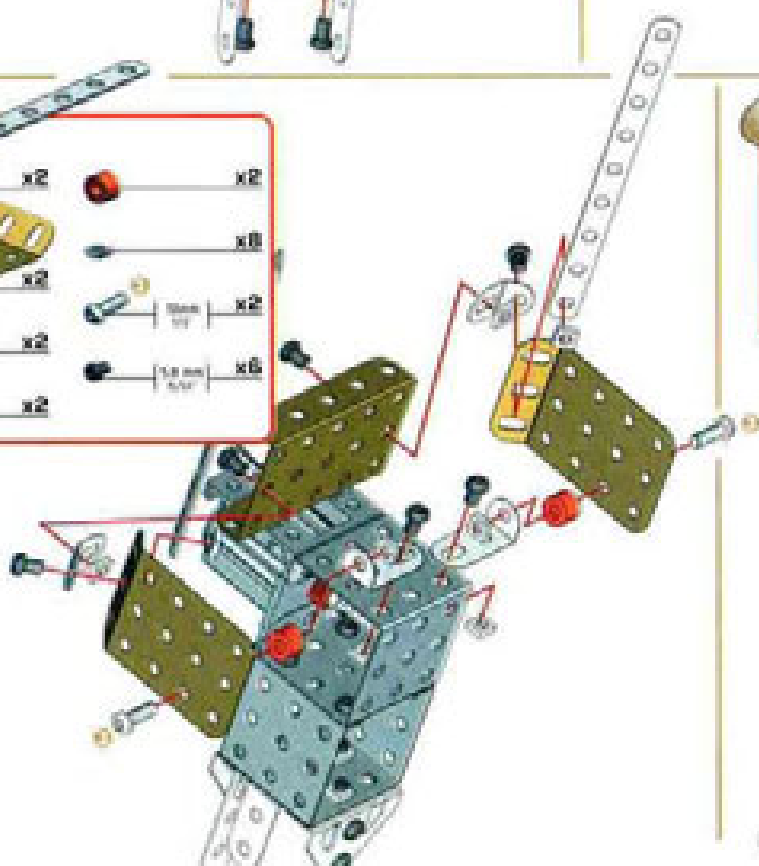
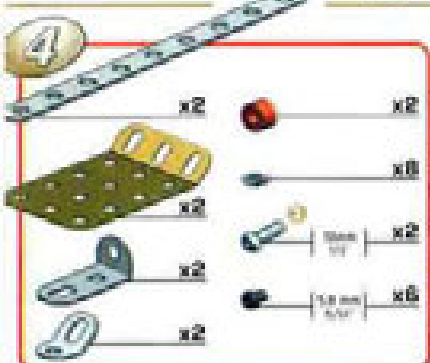
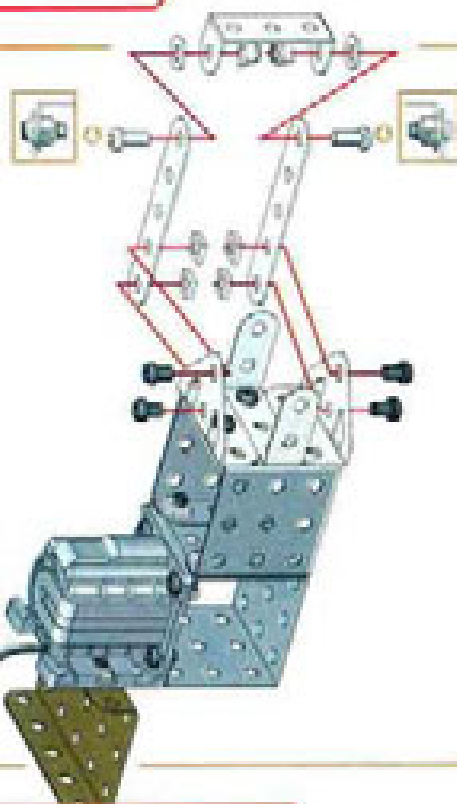
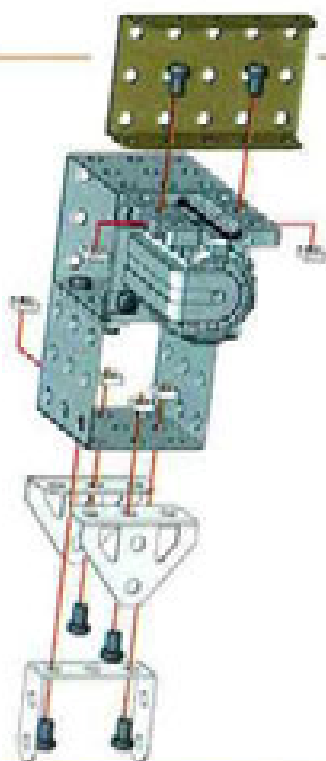
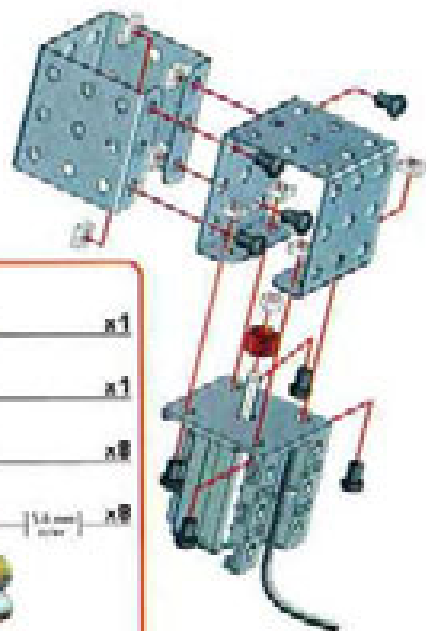
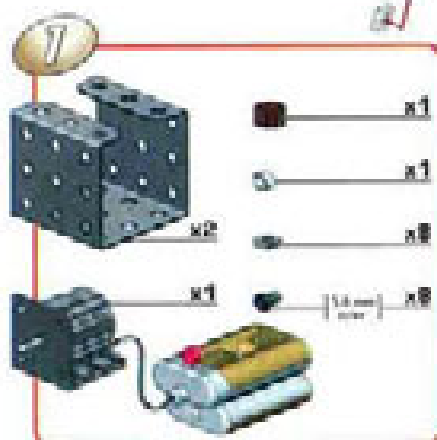
Do not mix old and new batteries. Do not mix alkaline, standard (carbon-zinc), or rechargeable (nickel-cadmium) batteries.

3 V
1.5V
AA
LR6
900
x2

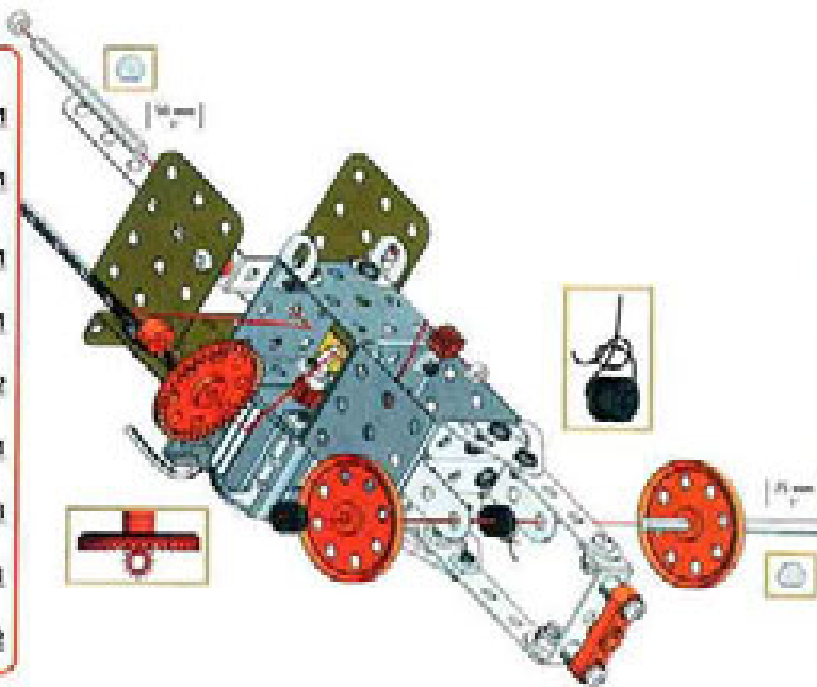


Use 2 AA batteries. (not included).

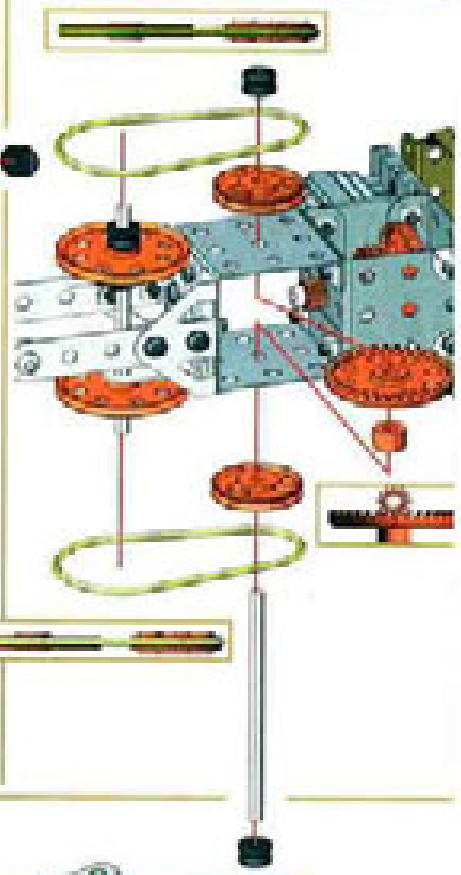




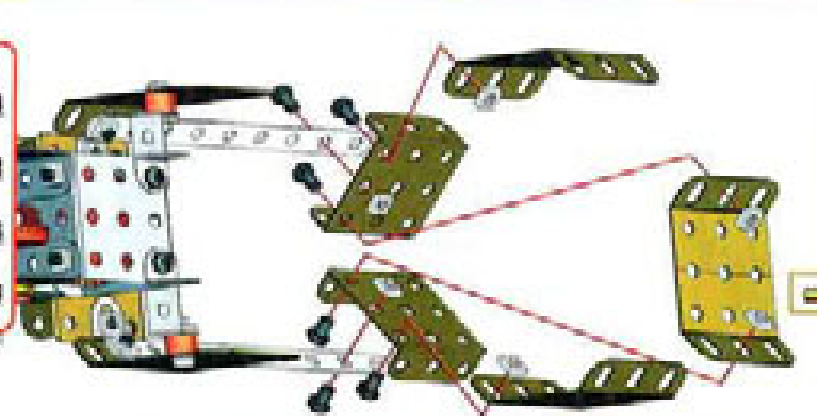
- 6**
- $\frac{1}{2}$ x1
 - $\frac{1}{2}$ x1
 - $\frac{1}{2}$ x1
 - x1
 - x2
 - x1
 - x3
 - x1
 - x2



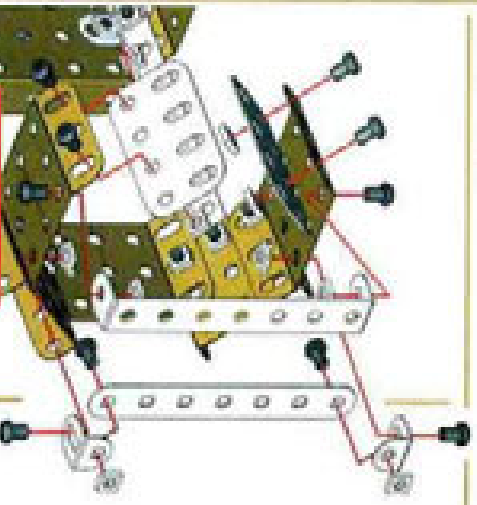
- 7**
- $\frac{1}{2}$ x1
 - x2
 - x2
 - x1
 - x2



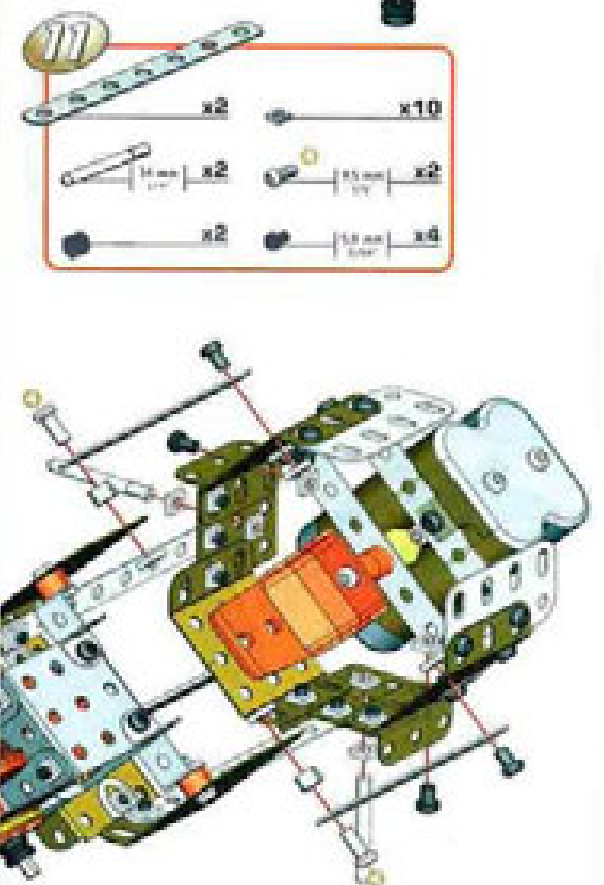
- 8**
- x2
 - x2
 - x6
 - x8



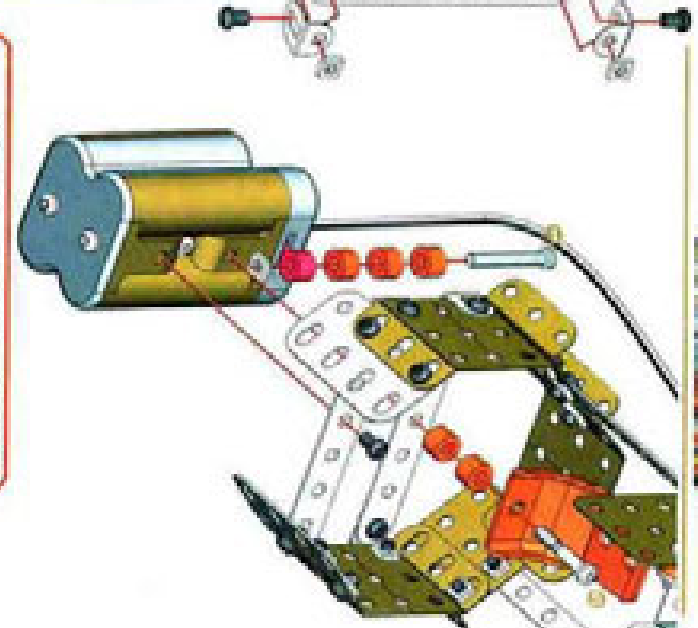
- 9**
- x1
 - x1
 - x2
 - x2
 - x10
 - x10

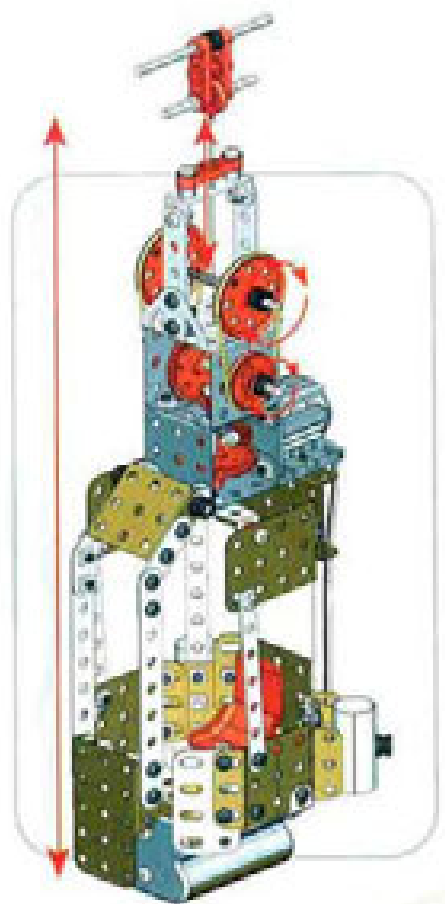
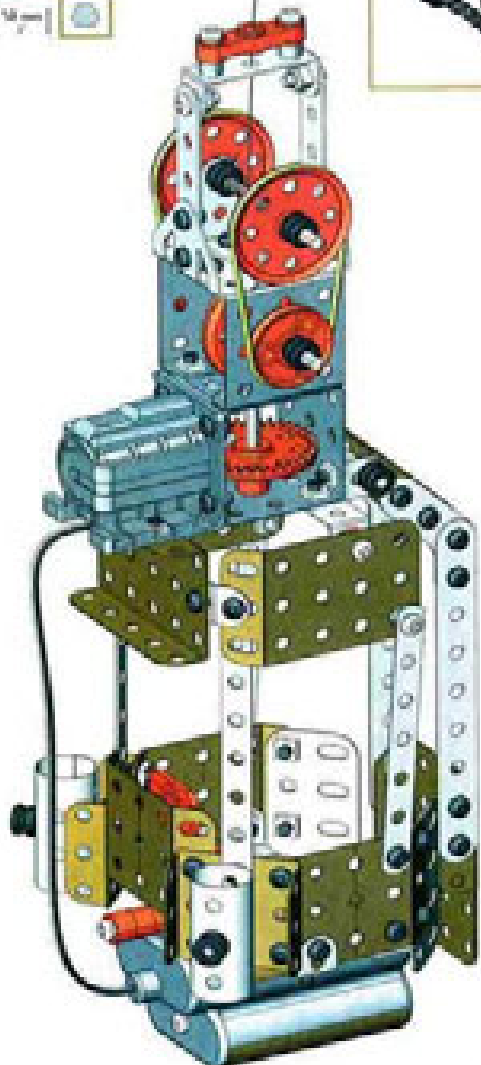
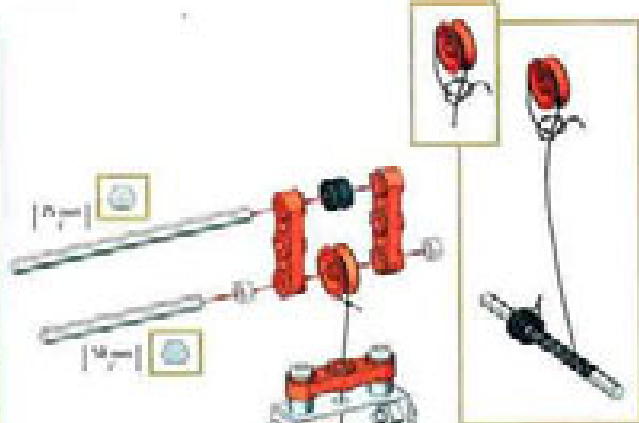
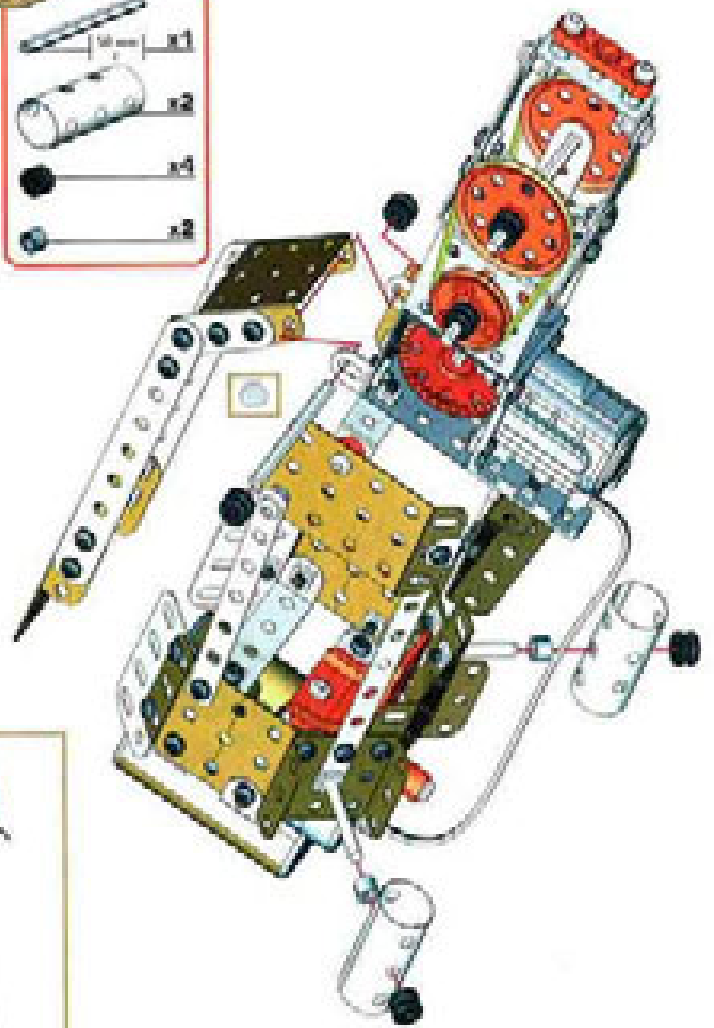
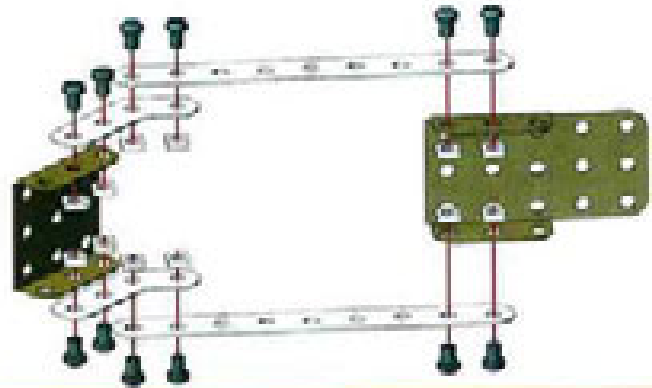
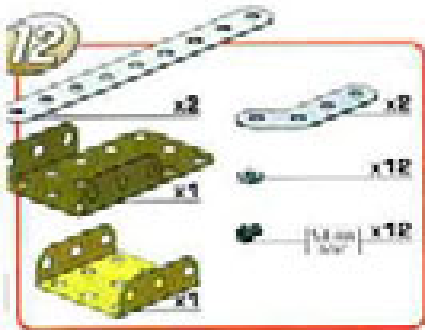


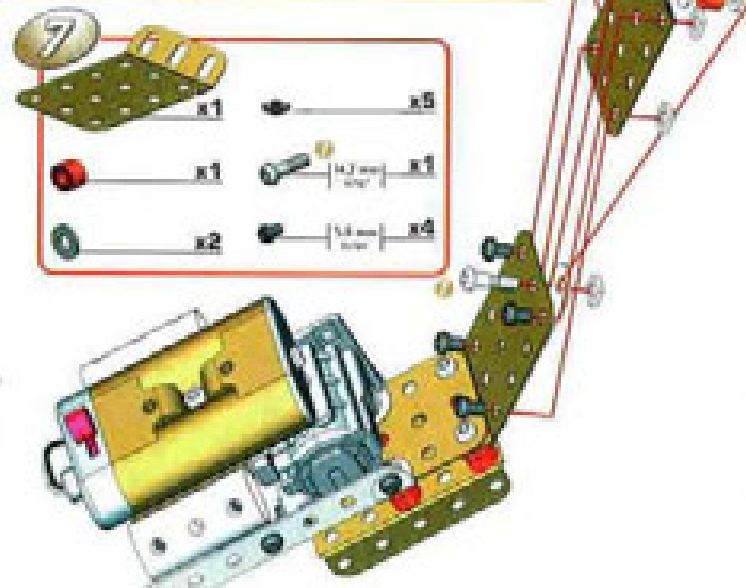
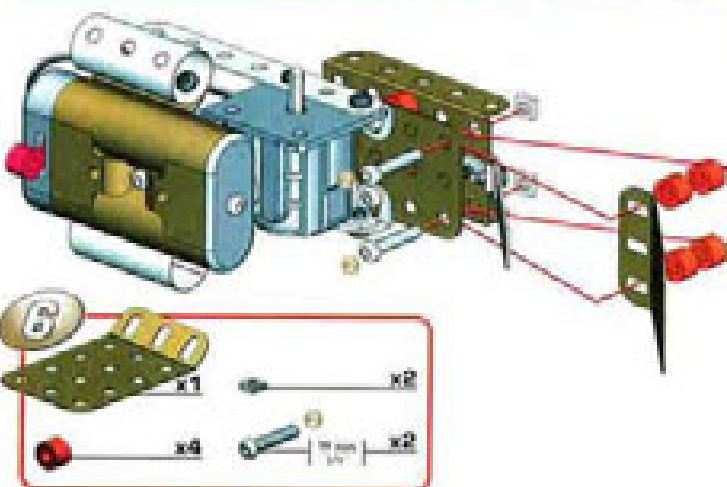
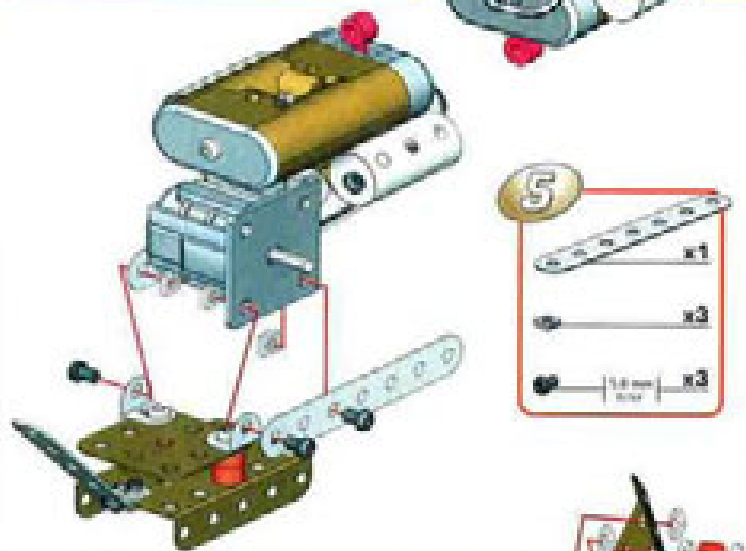
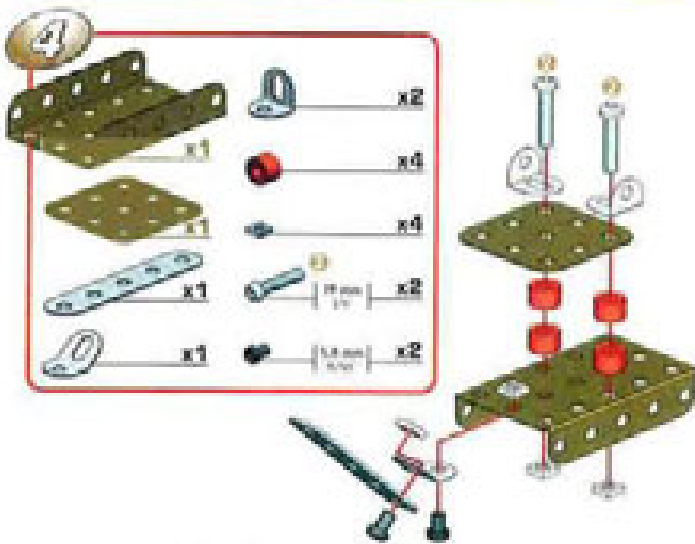
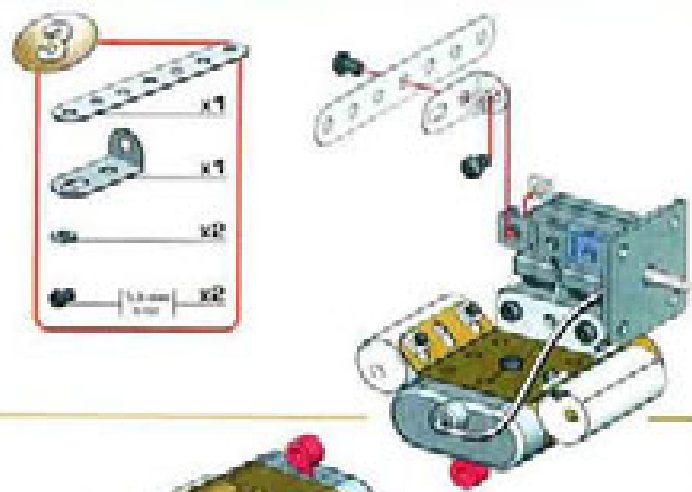
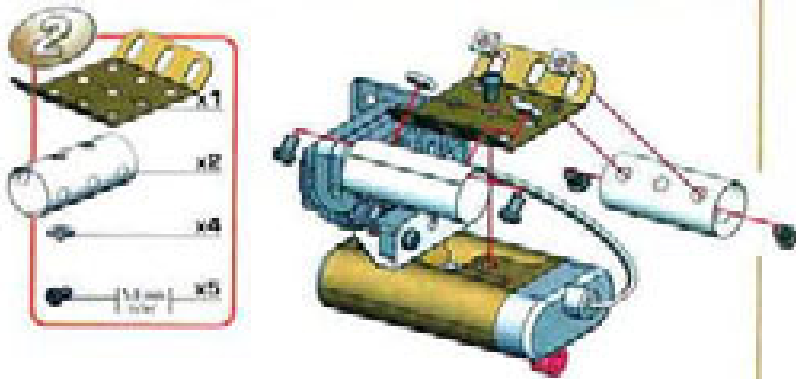
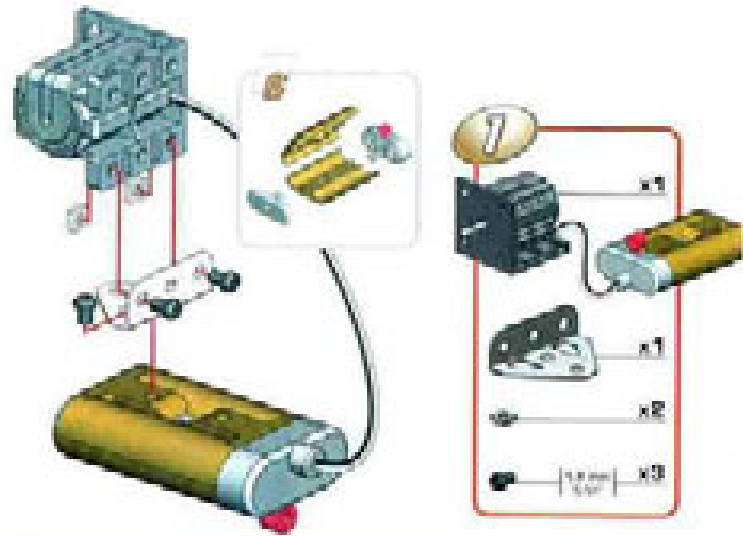
- 10**
- x2
 - x2
 - x2
 - x10
 - x2
 - x4



- 10**
- x1
 - x6
 - x1
 - x1
 - x1
 - x1
 - x1

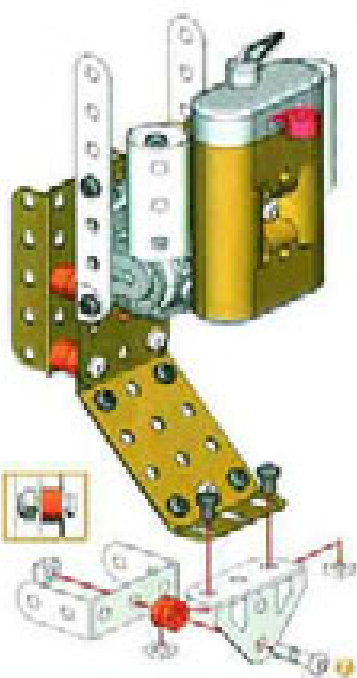






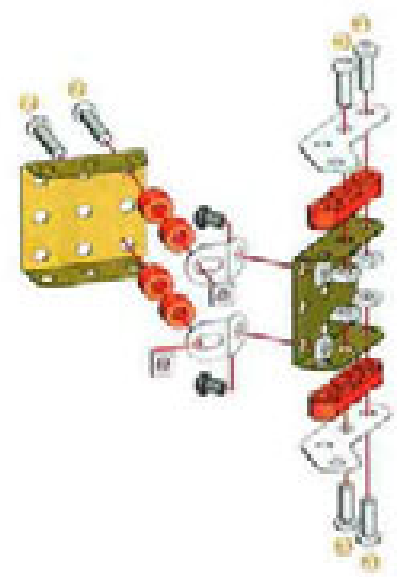
8

-  x1
-  x1
-  x1
-  x1
-  x2
-  x1
-  x2



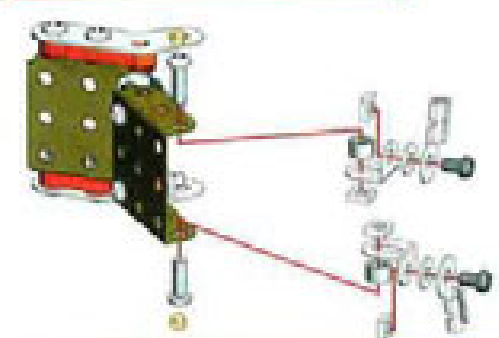
9

-  x2
-  x2
-  x2
-  x2
-  x4
-  x2
-  x2
-  x1
-  x2



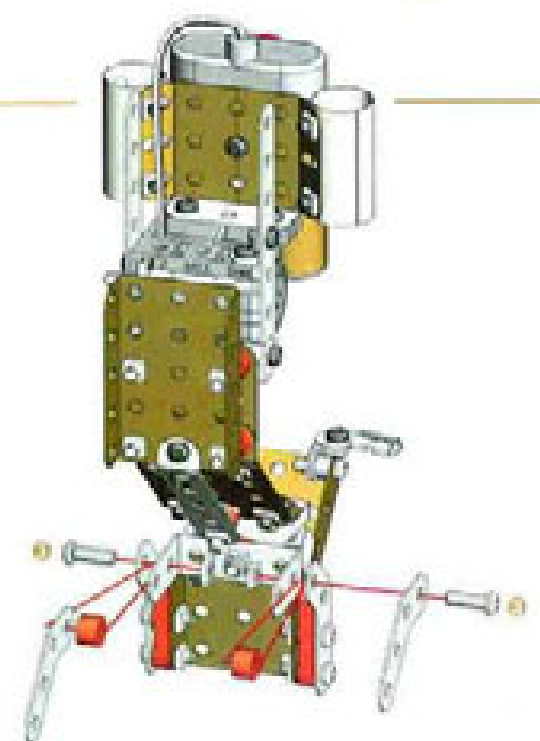
10

-  x2
-  x2
-  x2
-  x2
-  x4
-  x2
-  x2



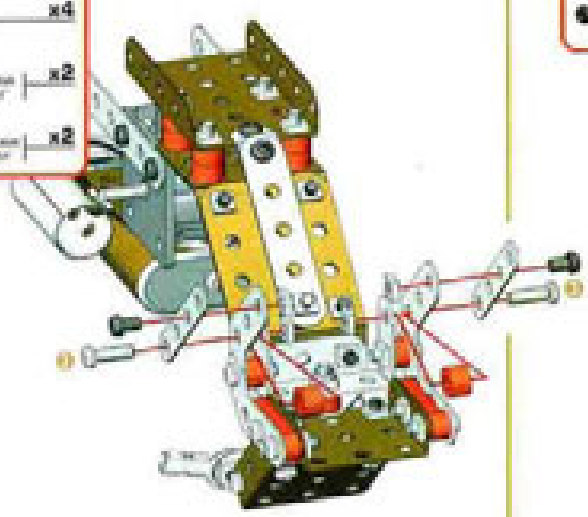
11

-  x2
-  x2
-  x2
-  x2



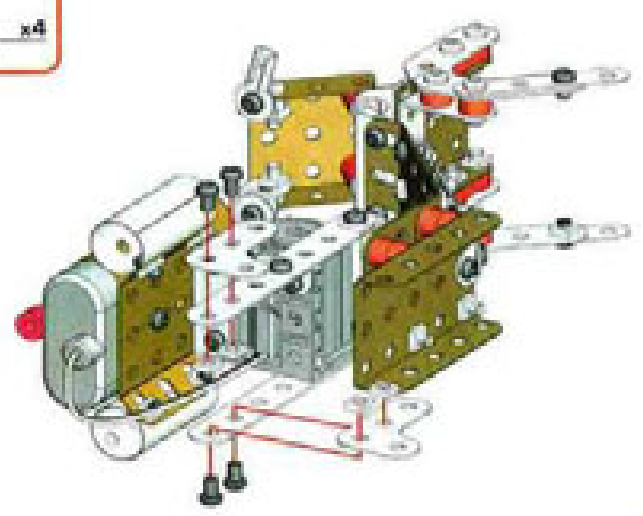
12

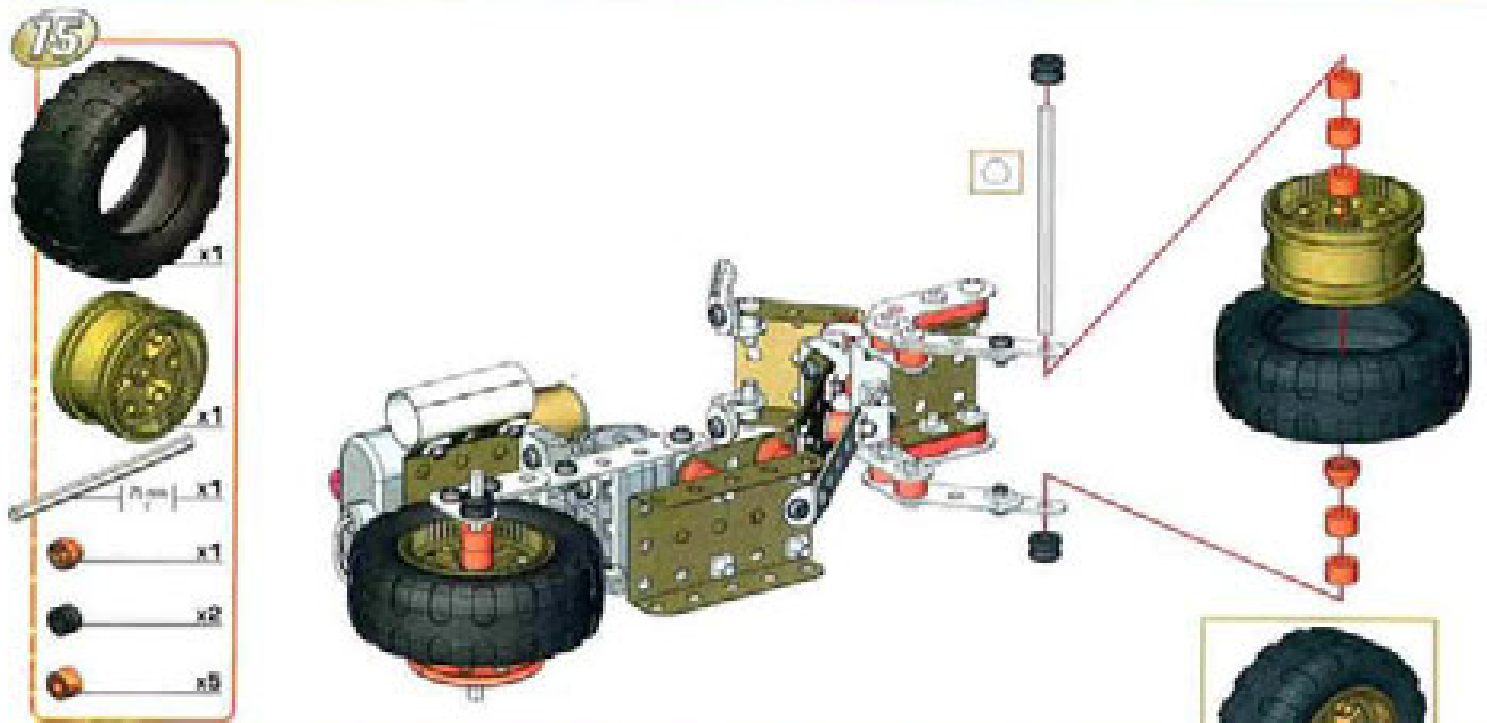
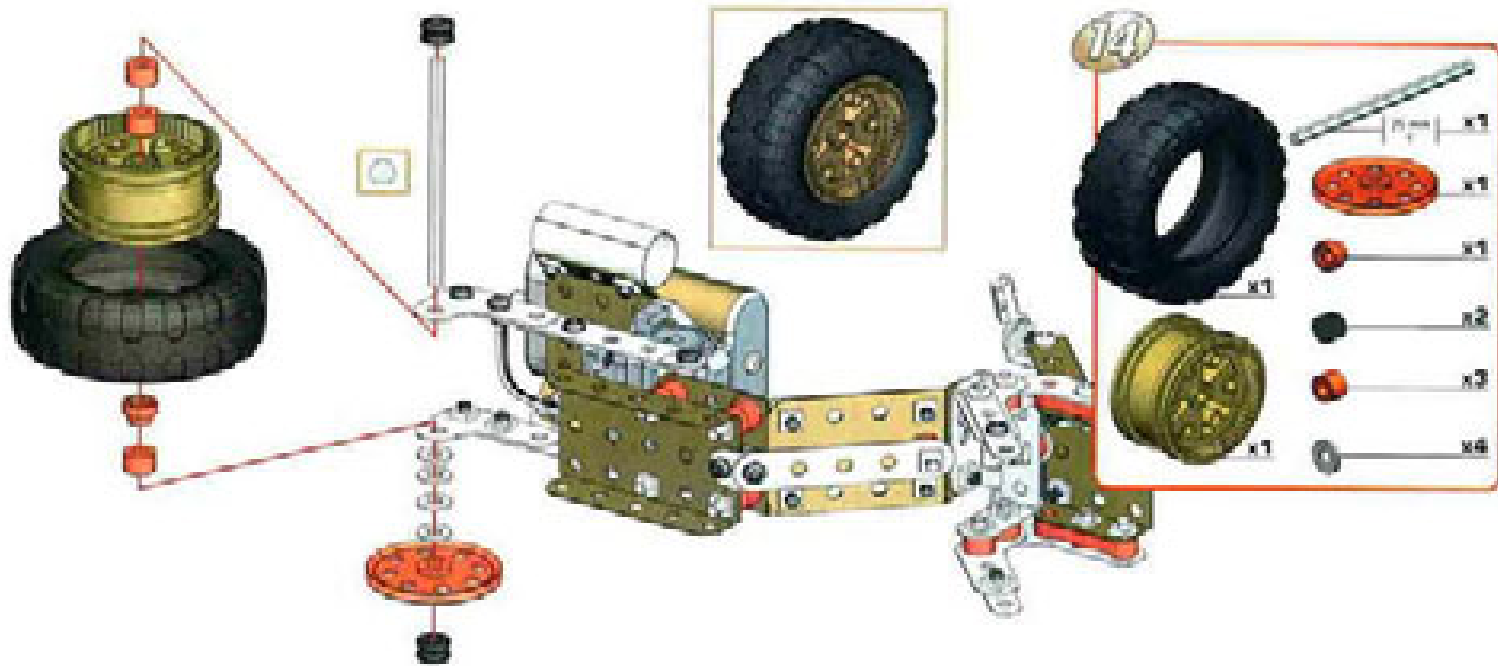
-  x2
-  x2
-  x4
-  x2
-  x2

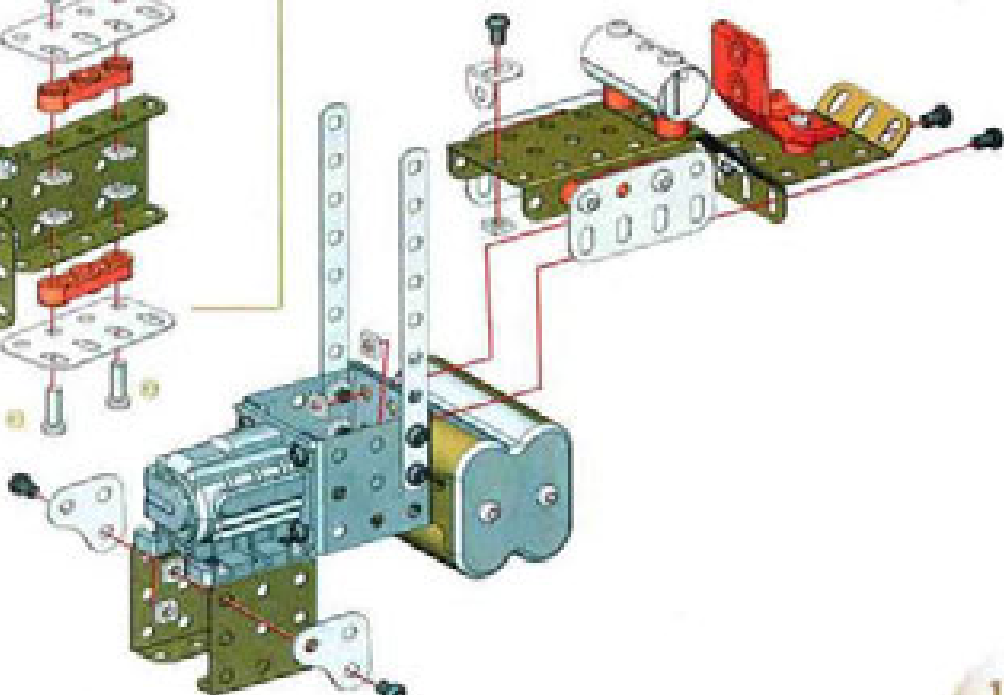
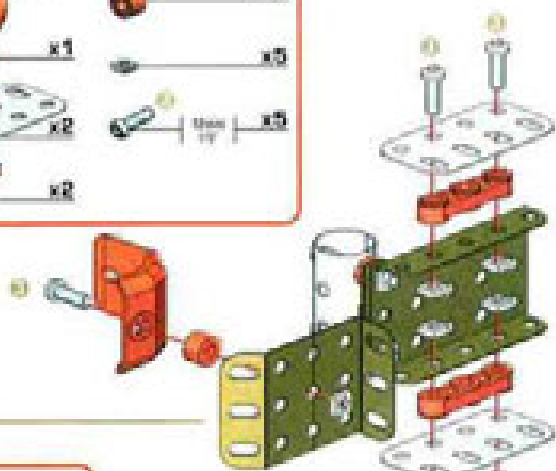
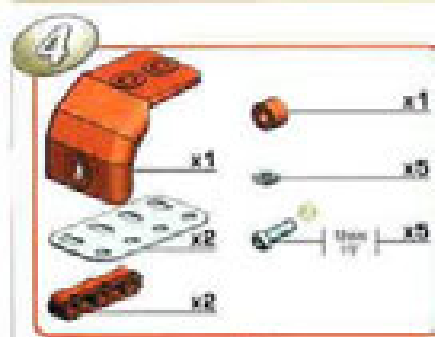
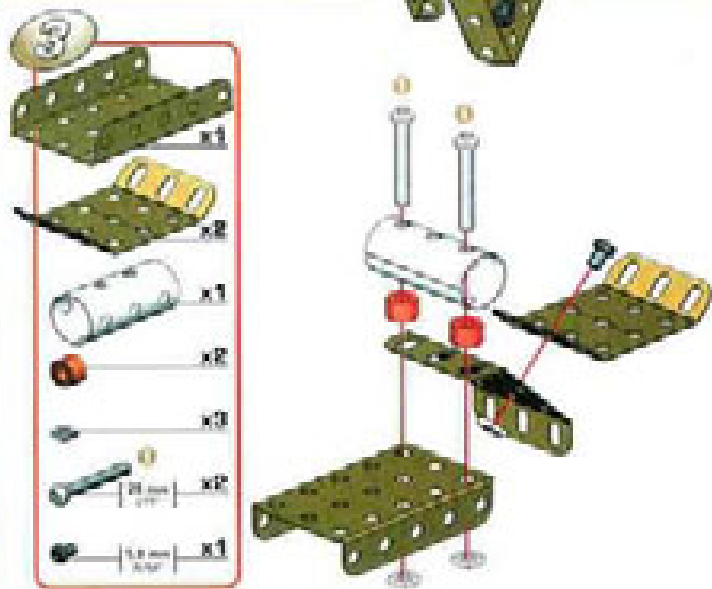
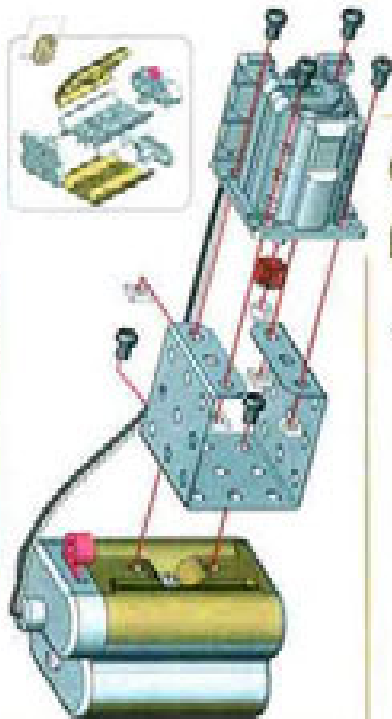
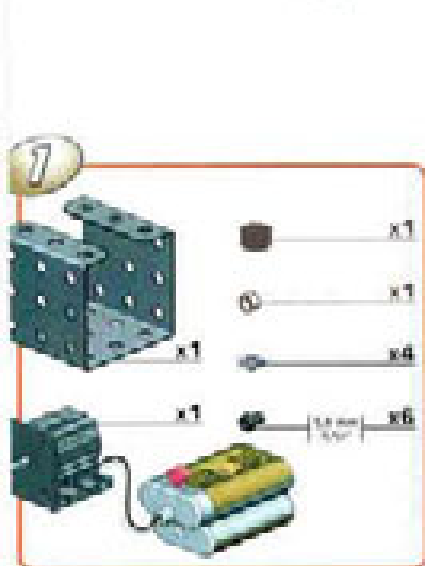
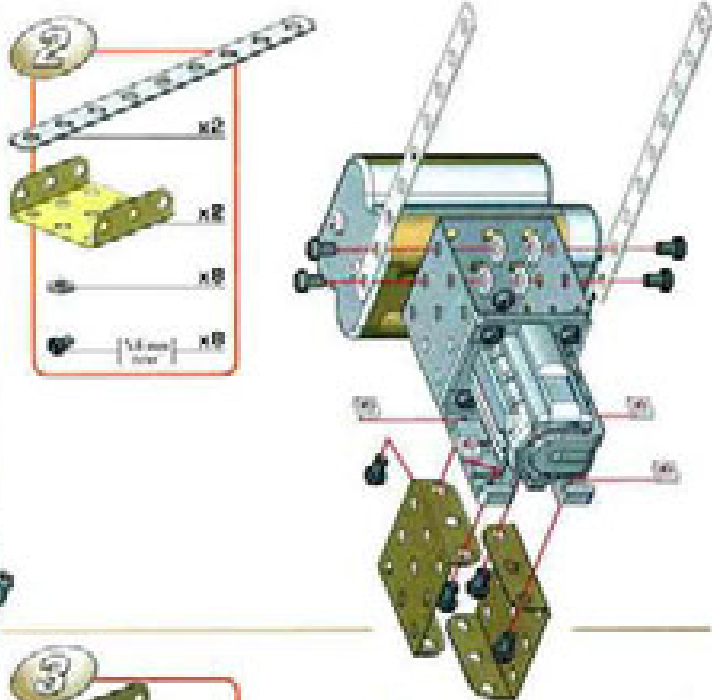


13

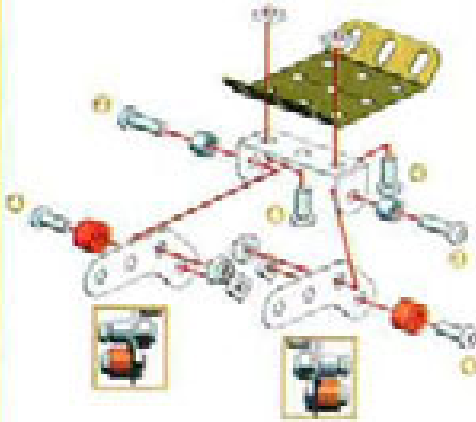
-  x2
-  x4
-  x4



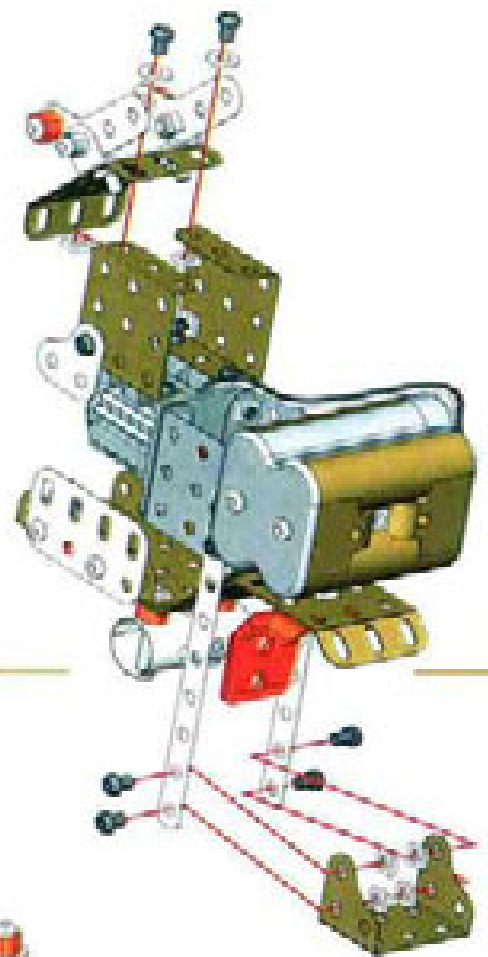




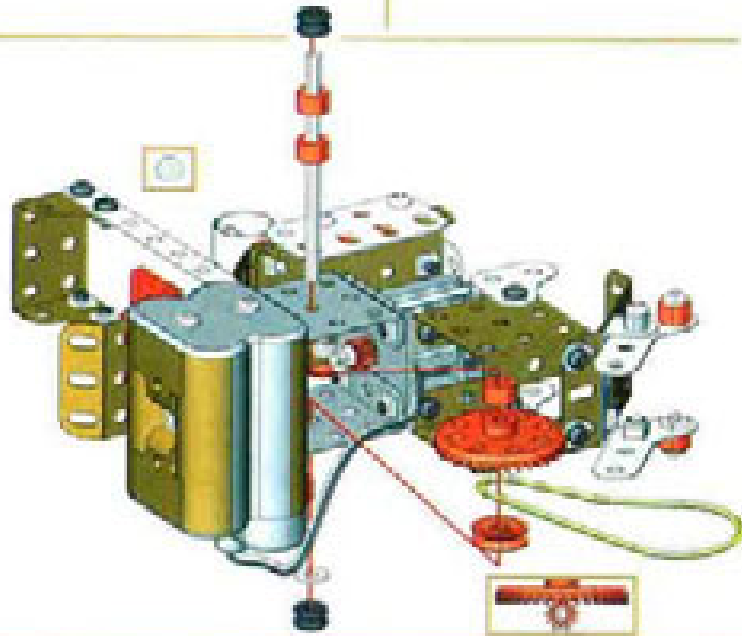
- 6**
- x1
 - x2
 - x1
 - x2
 - x2
 - x2
 - x4
 - x2
 - x6



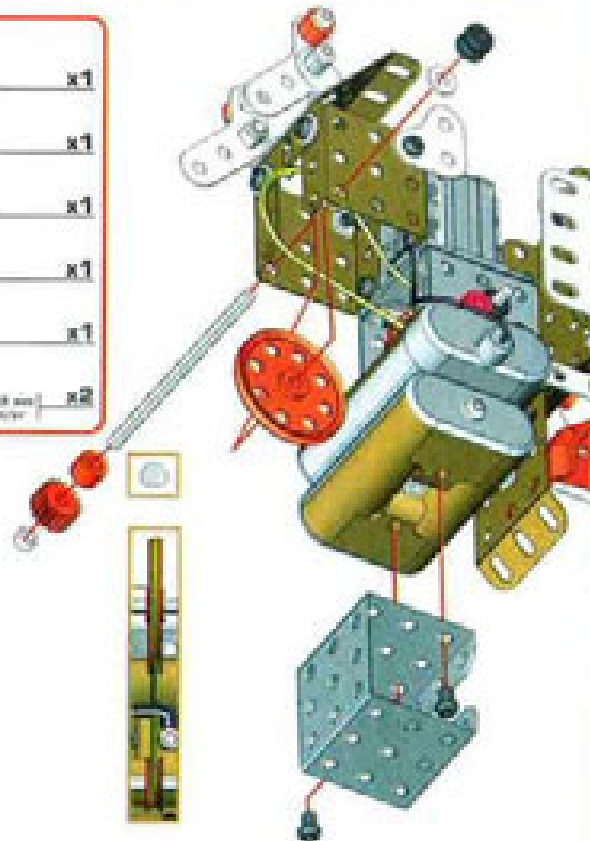
- 7**
- x1
 - x2
 - x6
 - x6



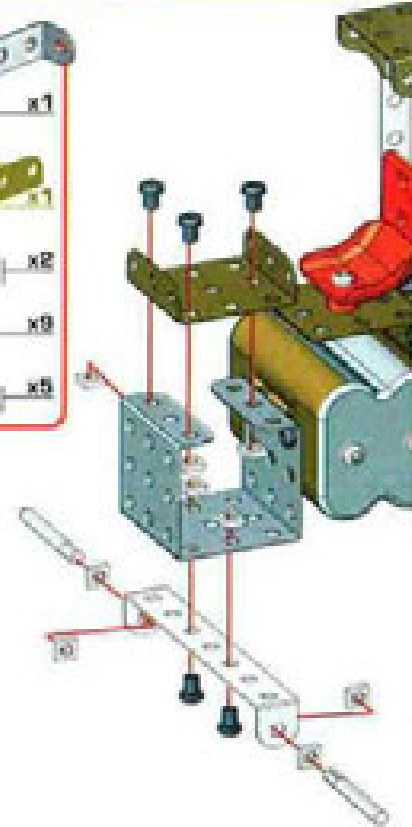
- 8**
- x1
 - x1
 - x1
 - x1
 - x2
 - x3
 - x1

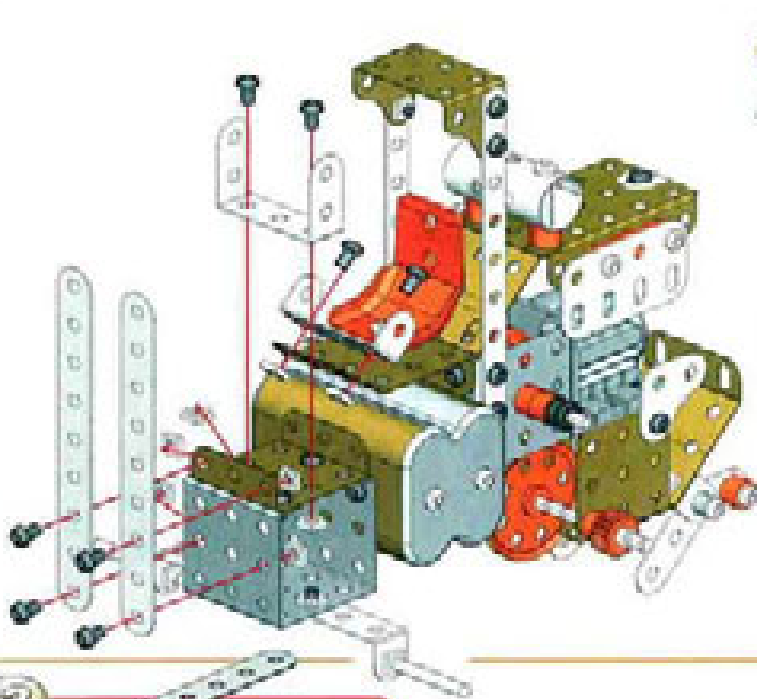


- 9**
- x1
 - x1
 - x1
 - x1
 - x1
 - x1
 - x1
 - x1
 - x2

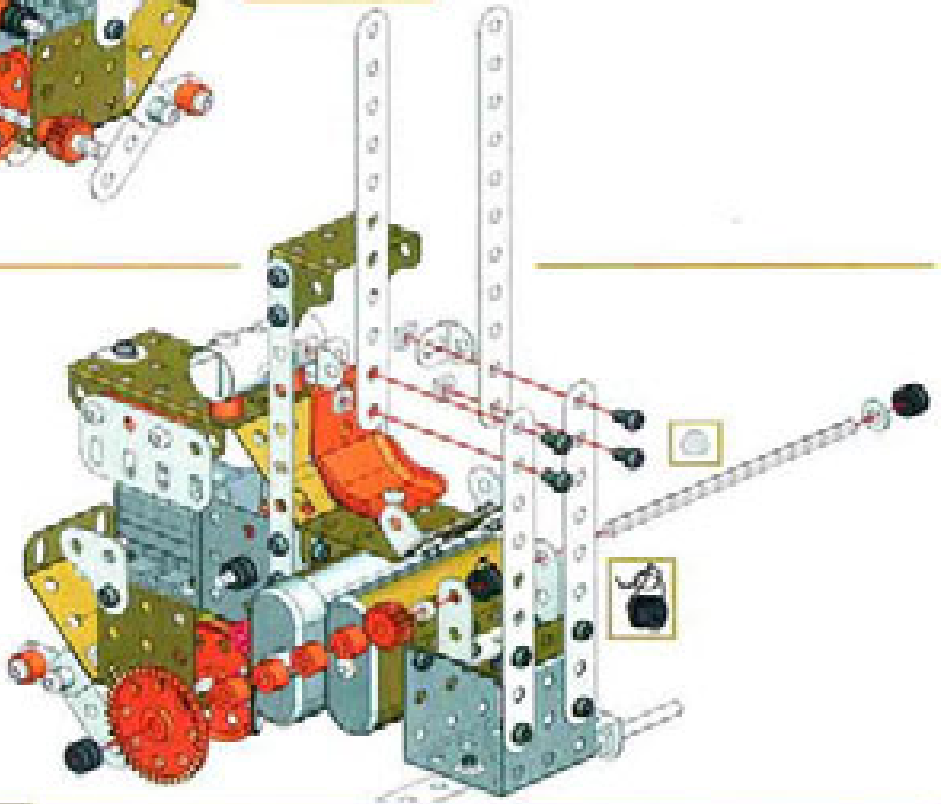


- 10**
- x1
 - x1
 - x2
 - x3
 - x5

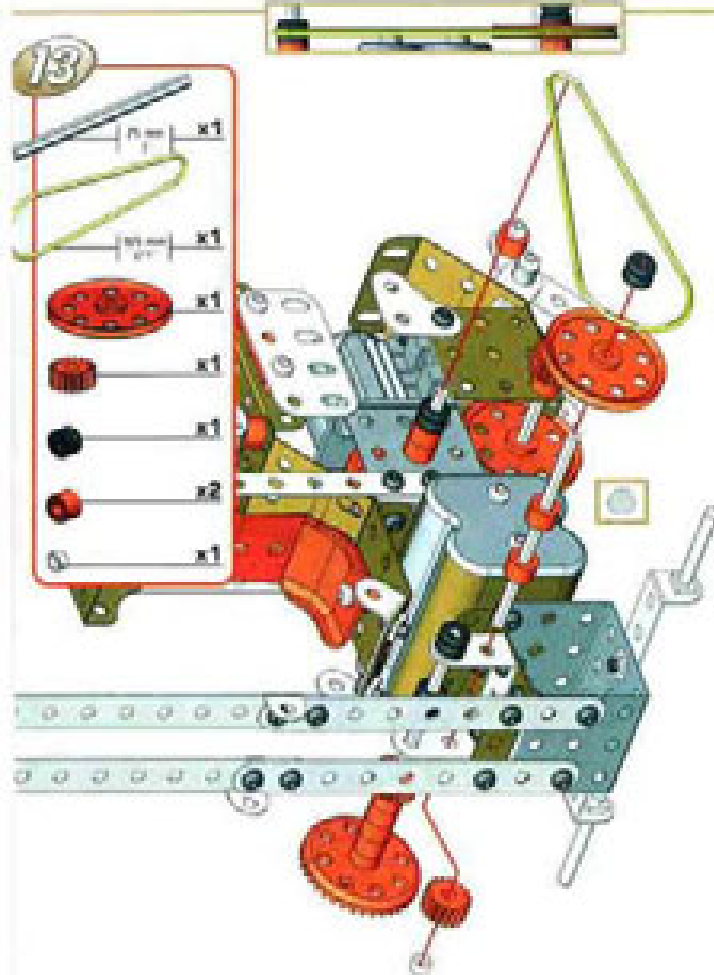




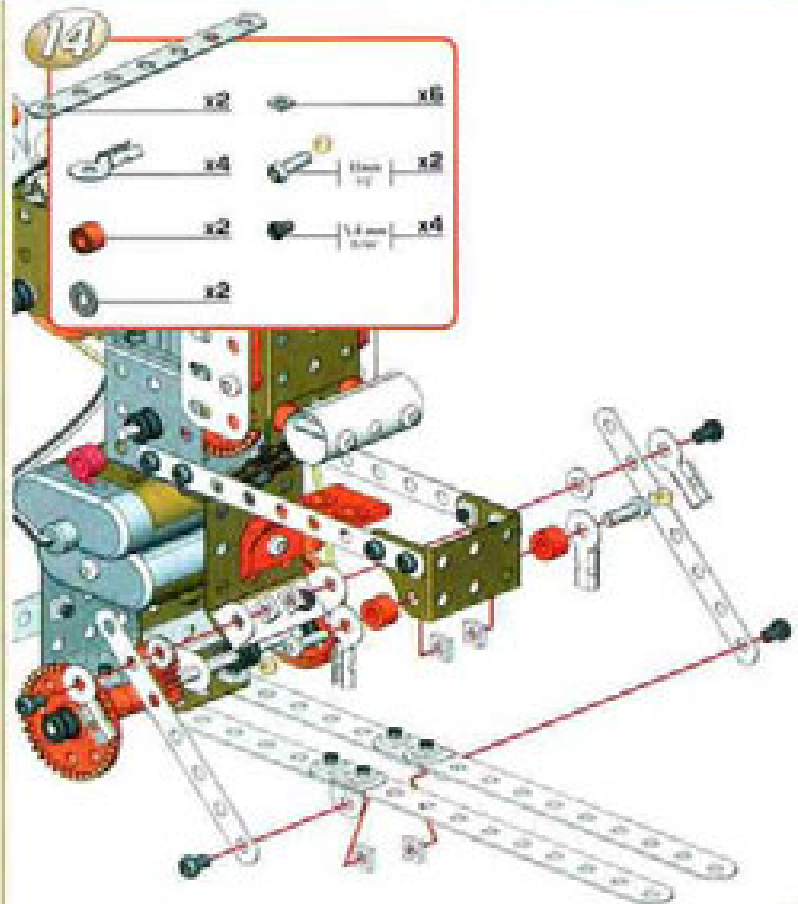
- 11
- x2
 - x1
 - x1
 - x8
 - x8



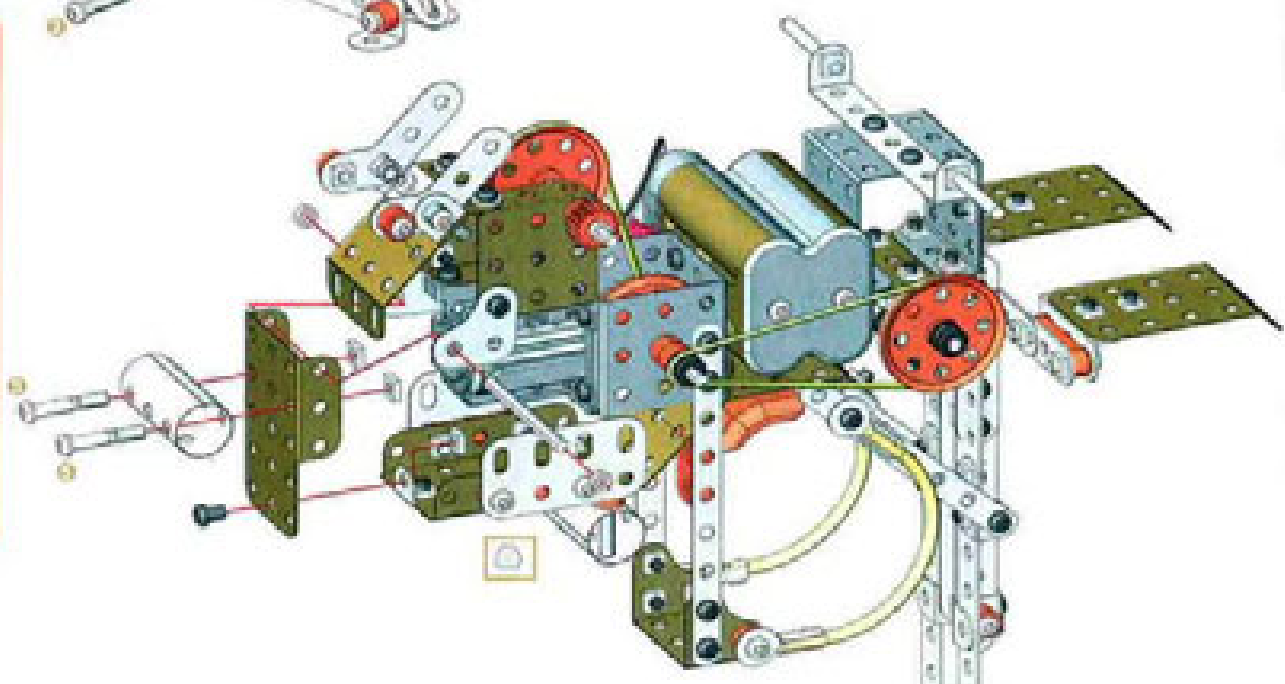
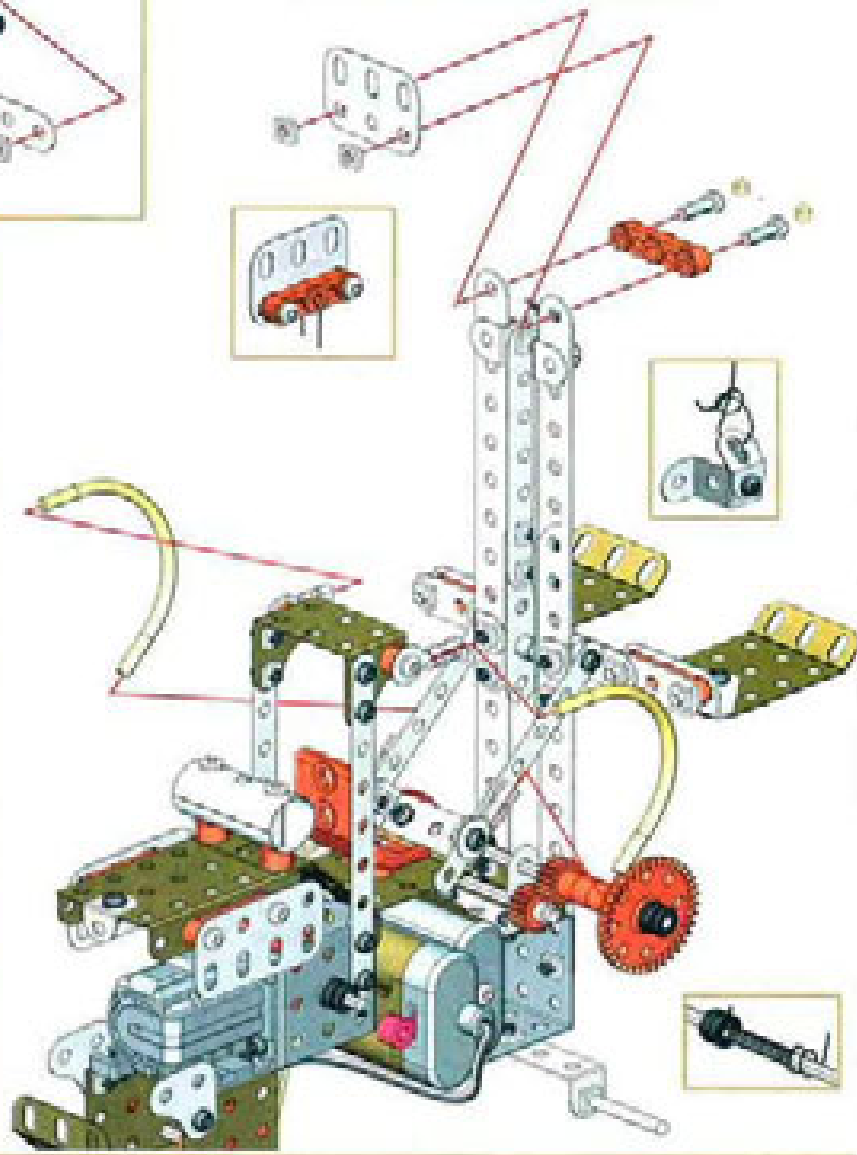
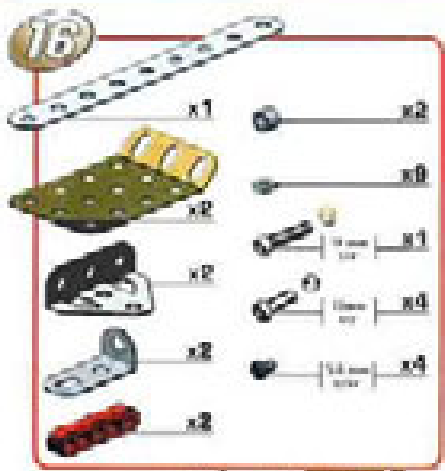
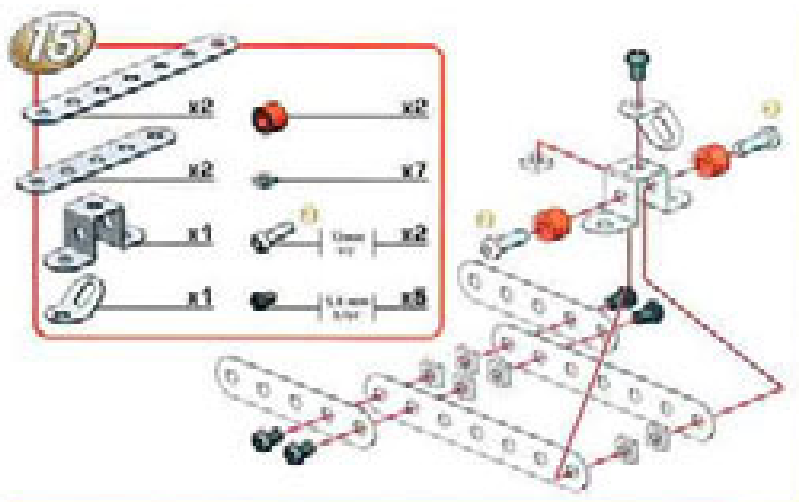
- 12
- x2
 - x3
 - x1
 - x4
 - x1
 - x1
 - x1
 - x4
 - x1
 - x1
 - x4
 - x2



- 13
- x1
 - x1
 - x1
 - x1
 - x1
 - x2
 - x1

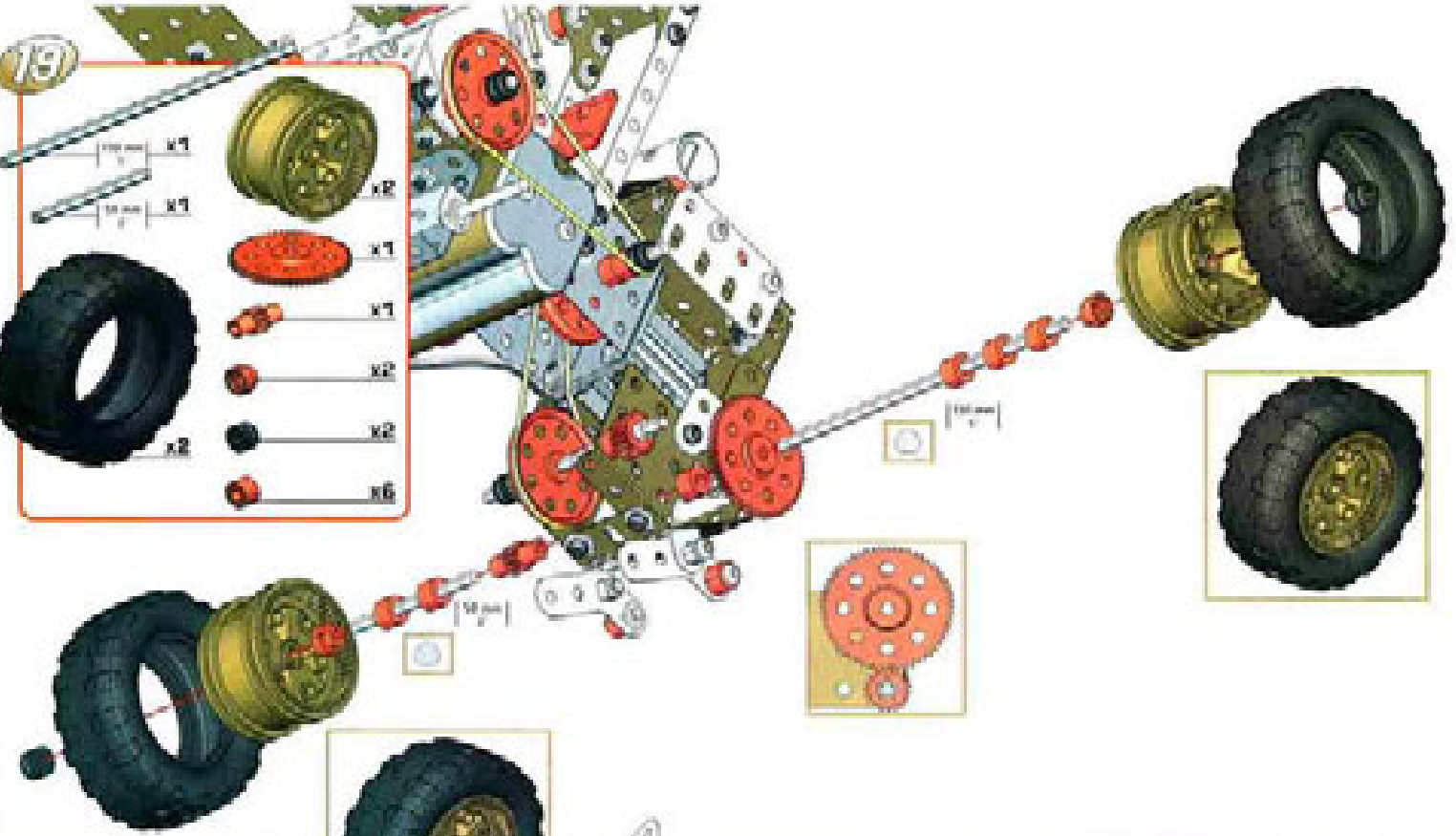


- 14
- x2
 - x6
 - x6
 - x2
 - x2
 - x2
 - x2



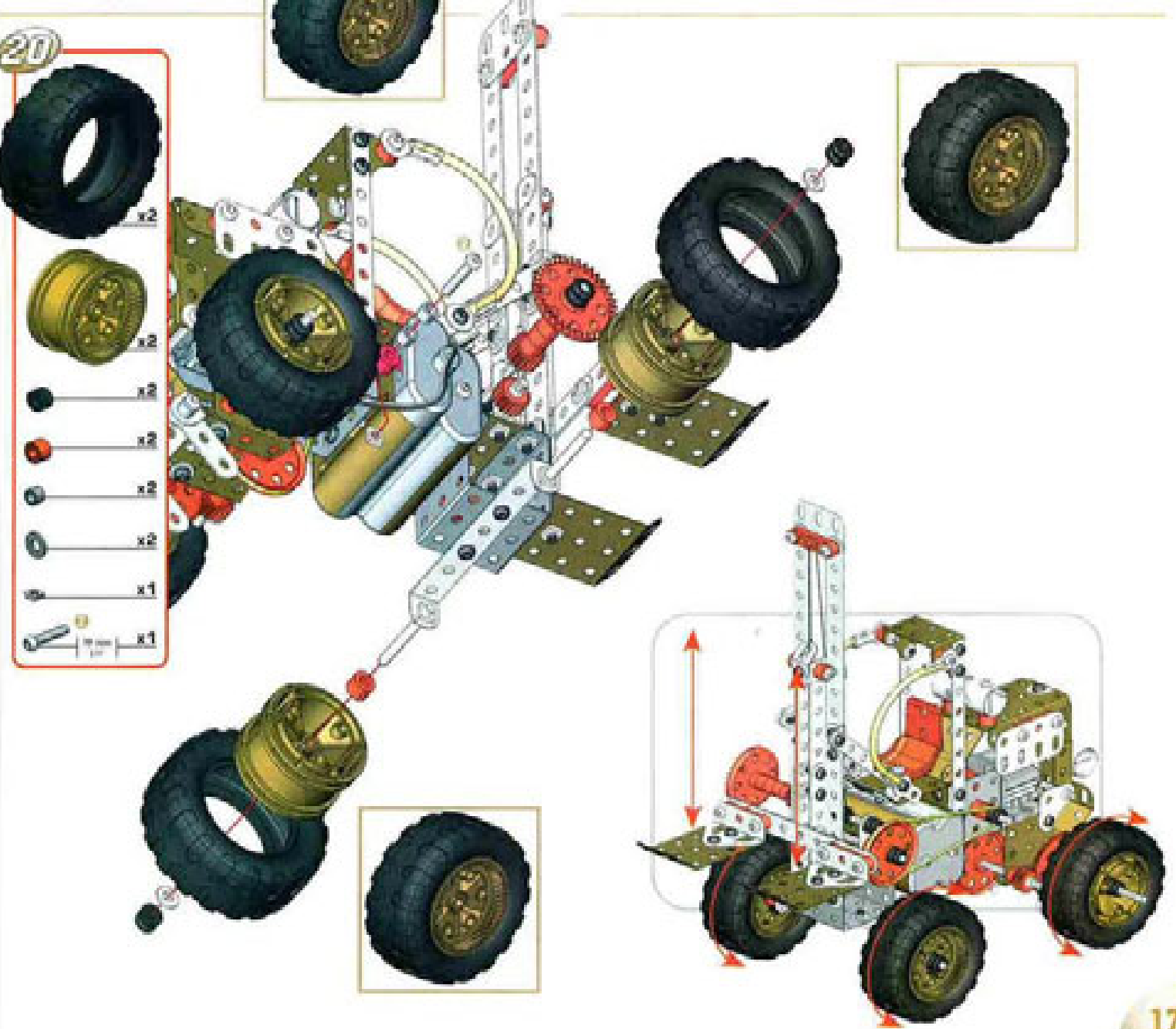
19

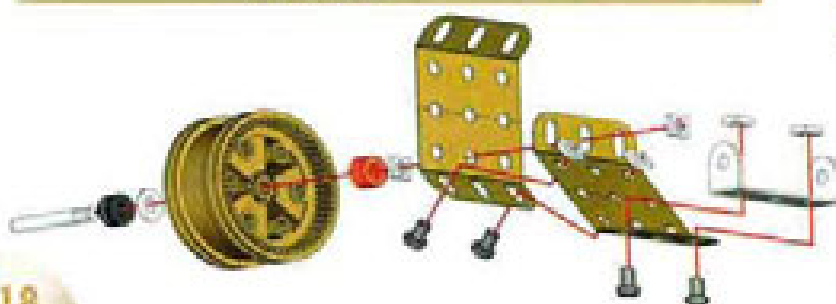
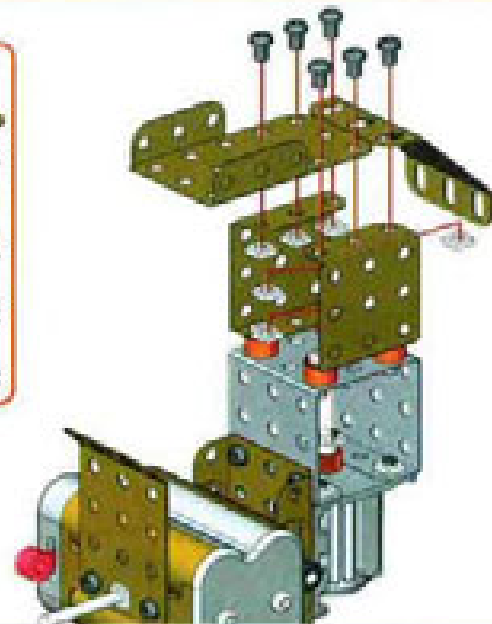
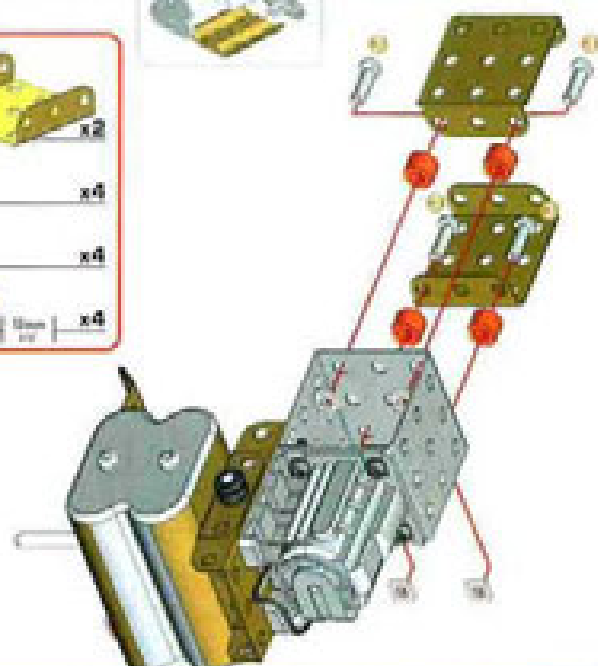
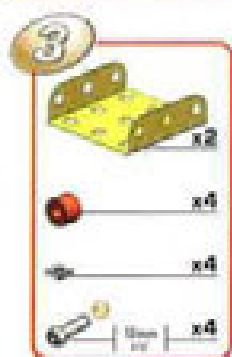
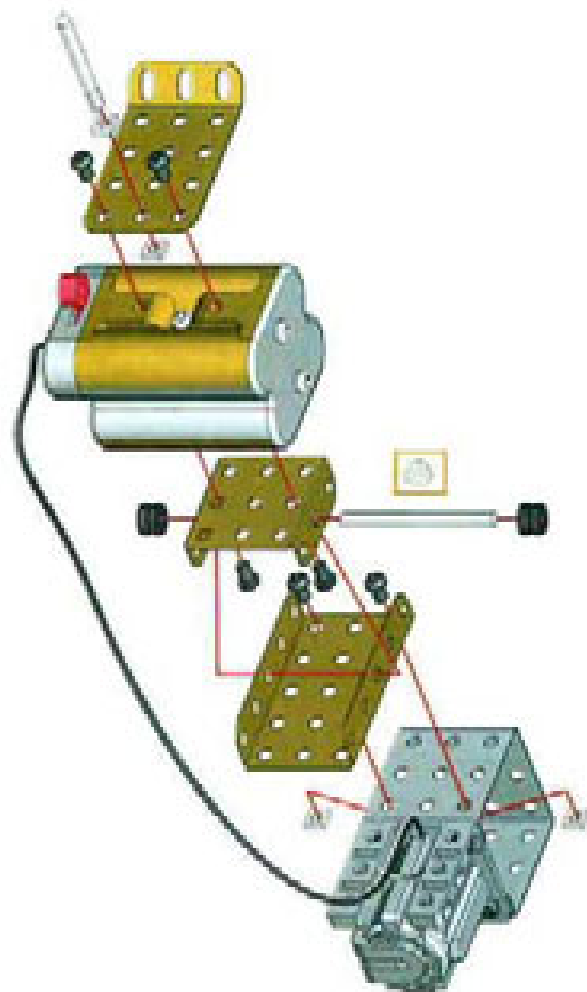
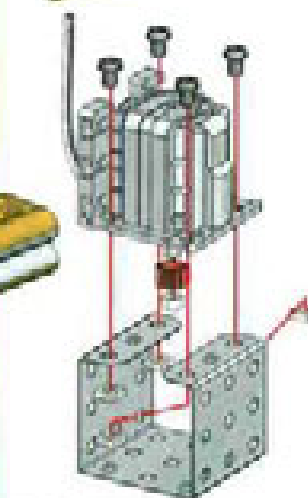
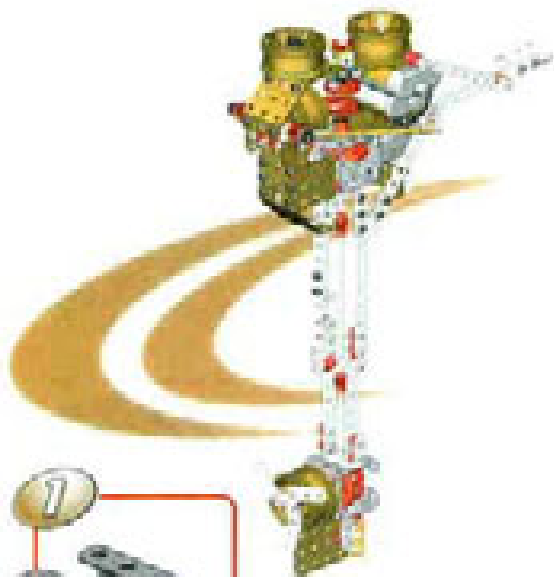
- x1
- x1
- x2
- x2
- x1
- x1
- x2
- x2
- x6



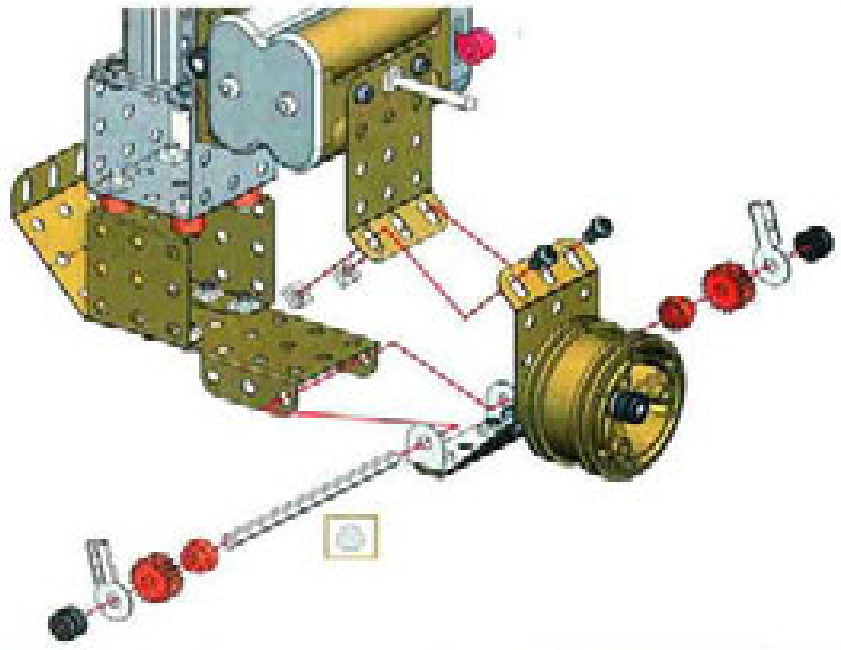
20

- x2
- x2
- x2
- x2
- x2
- x2
- x1
- x1

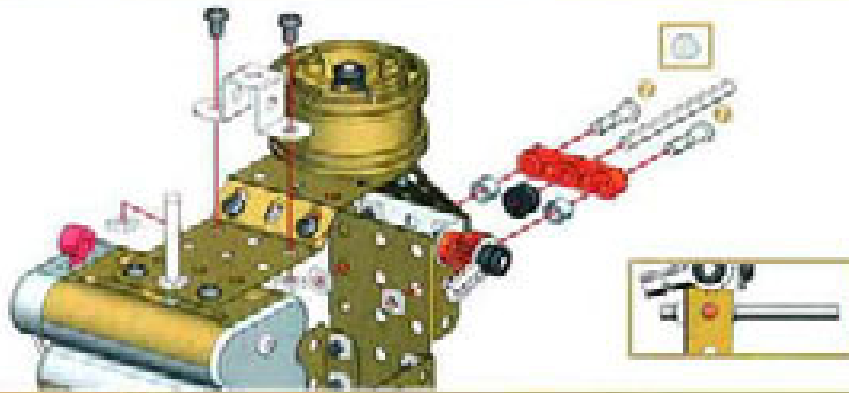





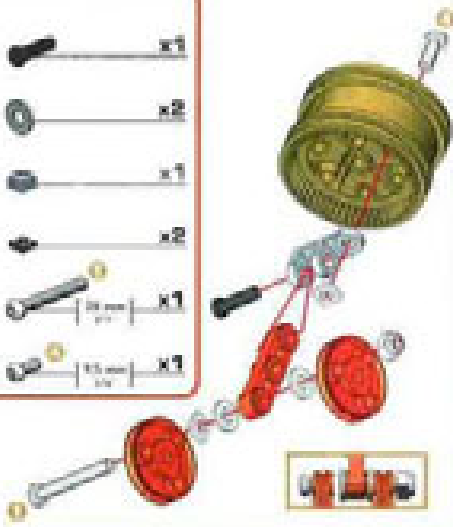
- 6**
- | | | | |
|--|----|---|----|
|  | x1 |  | x2 |
|  | x2 |  | x2 |
|  | x2 |  | x2 |
|  | x2 | | |











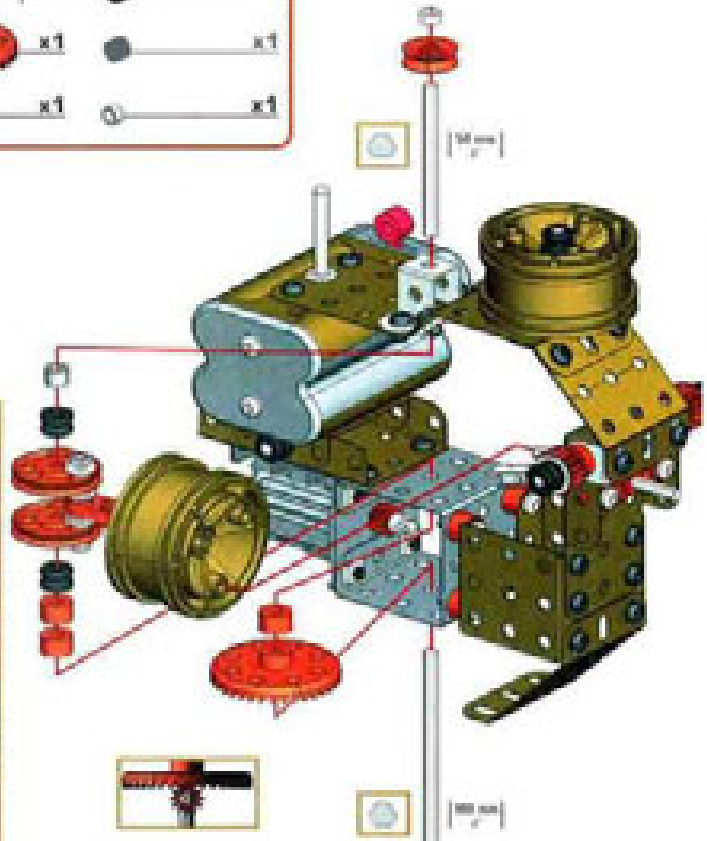
- 7**
- | | | | |
|--|----|--|----|
|  | x1 |  | x2 |
|  | x1 |  | x4 |
|  | x1 |  | x2 |
|  | x1 |  | x2 |











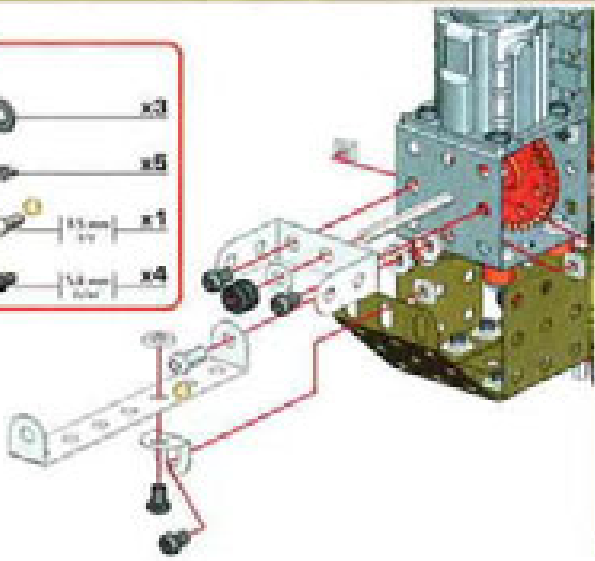
- 8**
- | | | | |
|--|----|---|----|
|  | x1 |  | x1 |
|  | x2 |  | x2 |
|  | x1 |  | x2 |
|  | x1 |  | x1 |
|  | x1 |  | x1 |

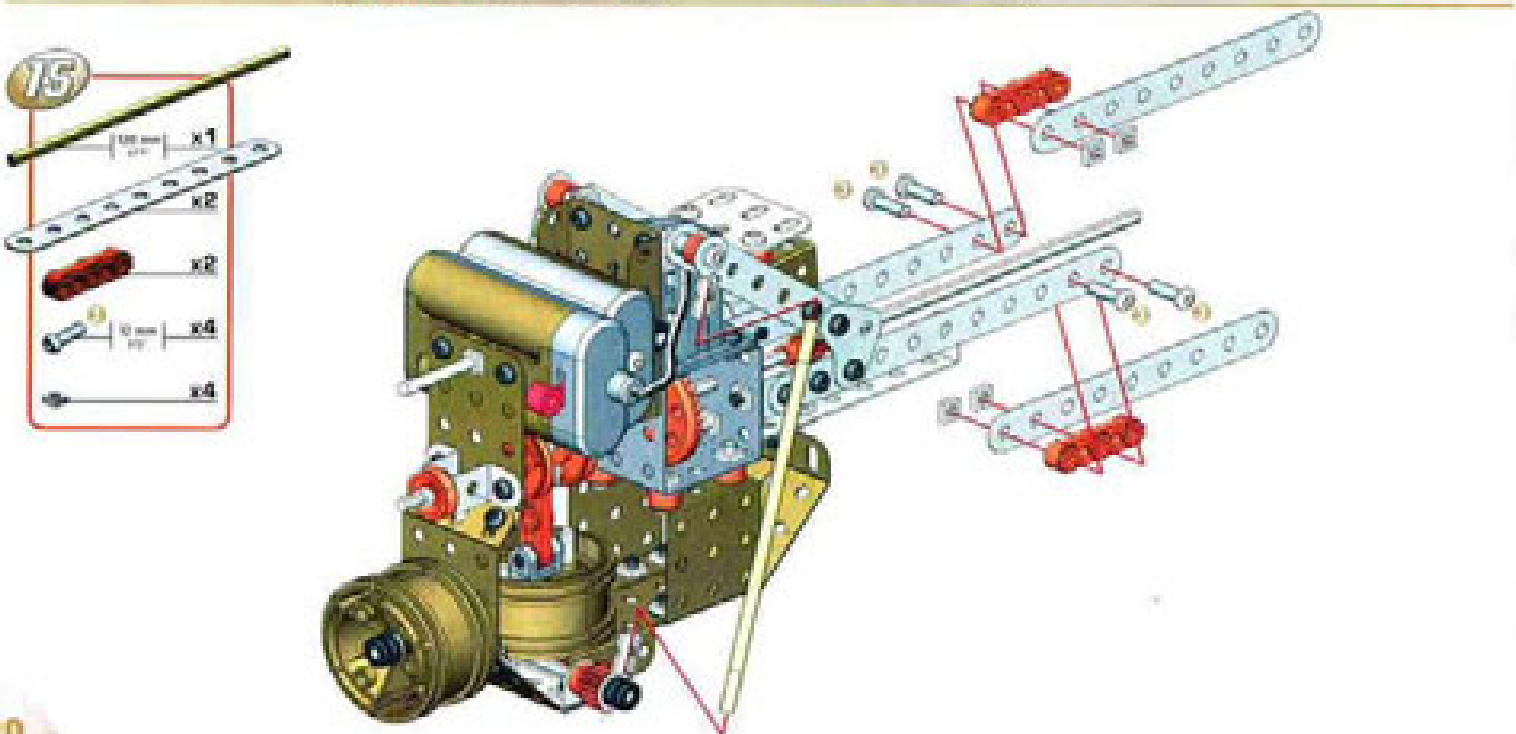
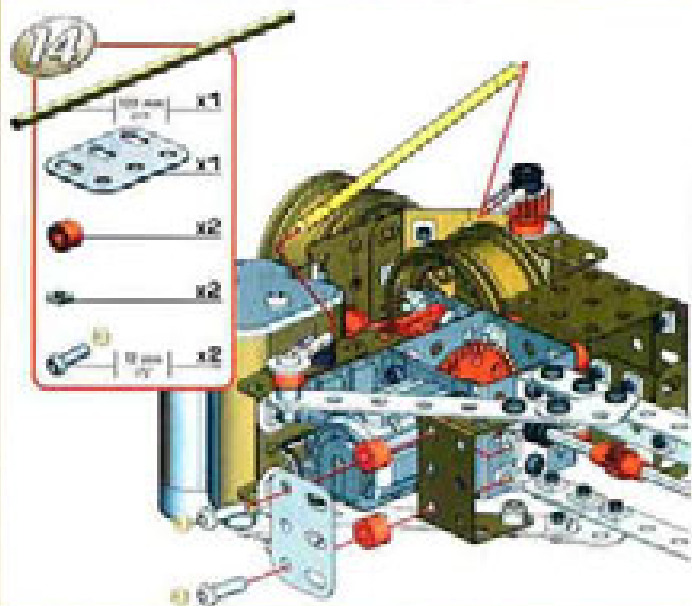
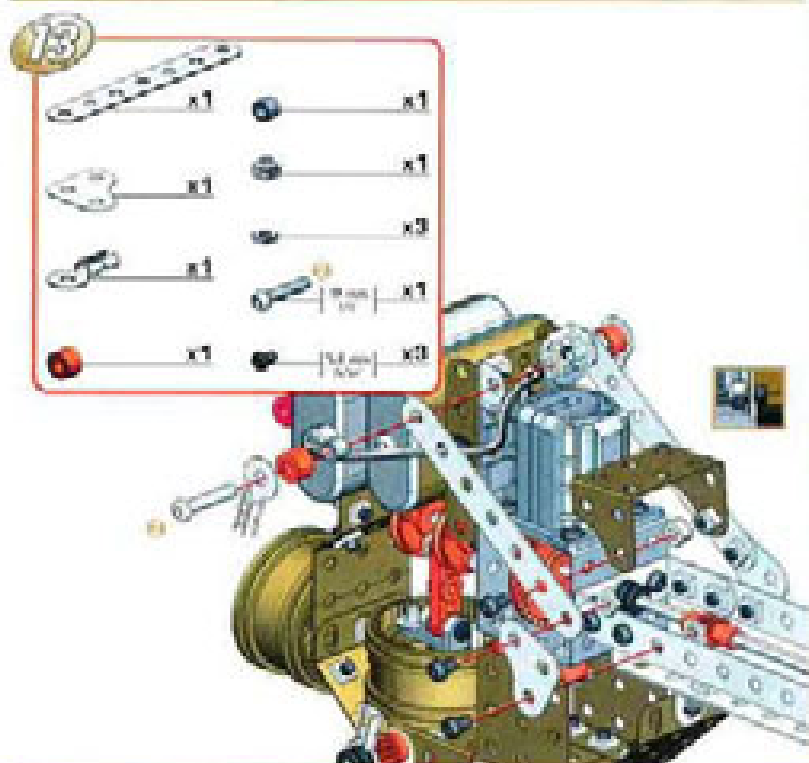
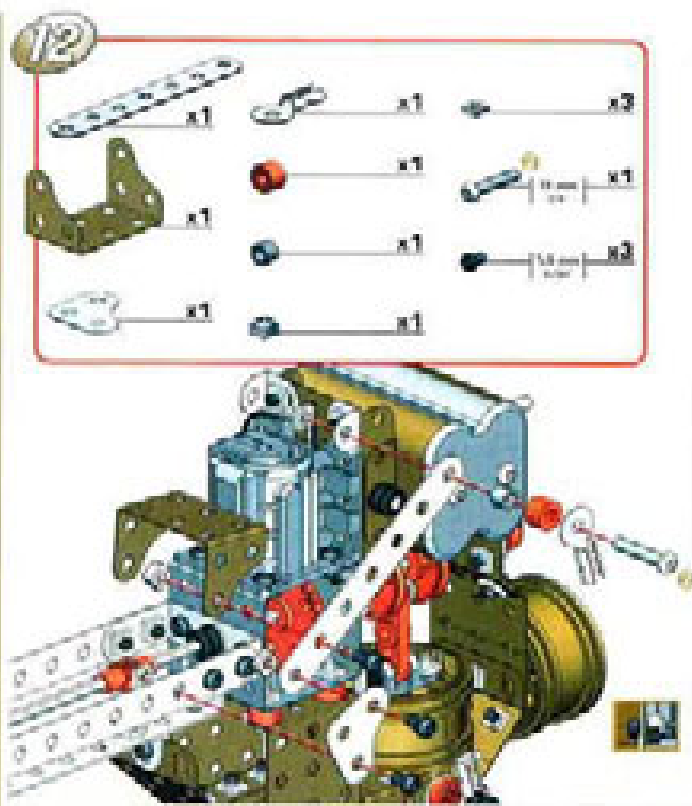
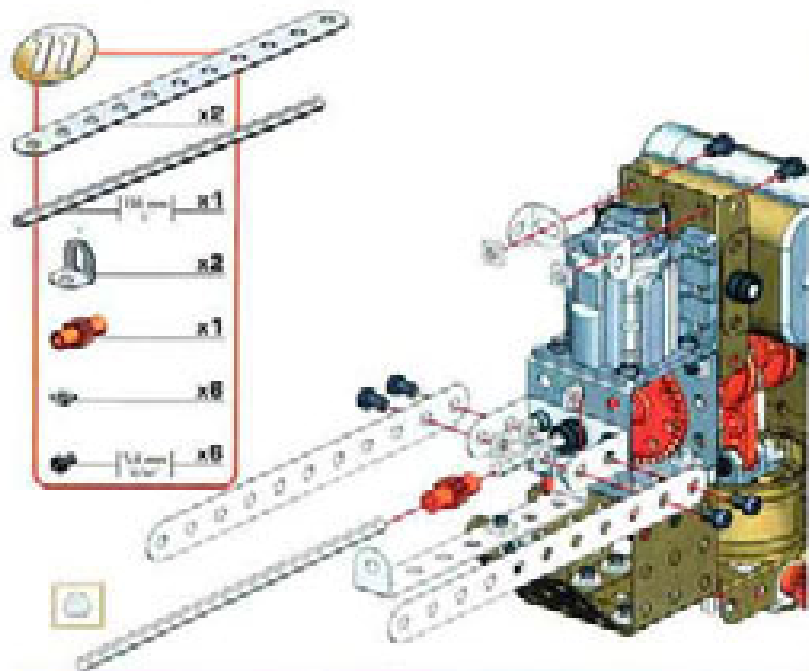


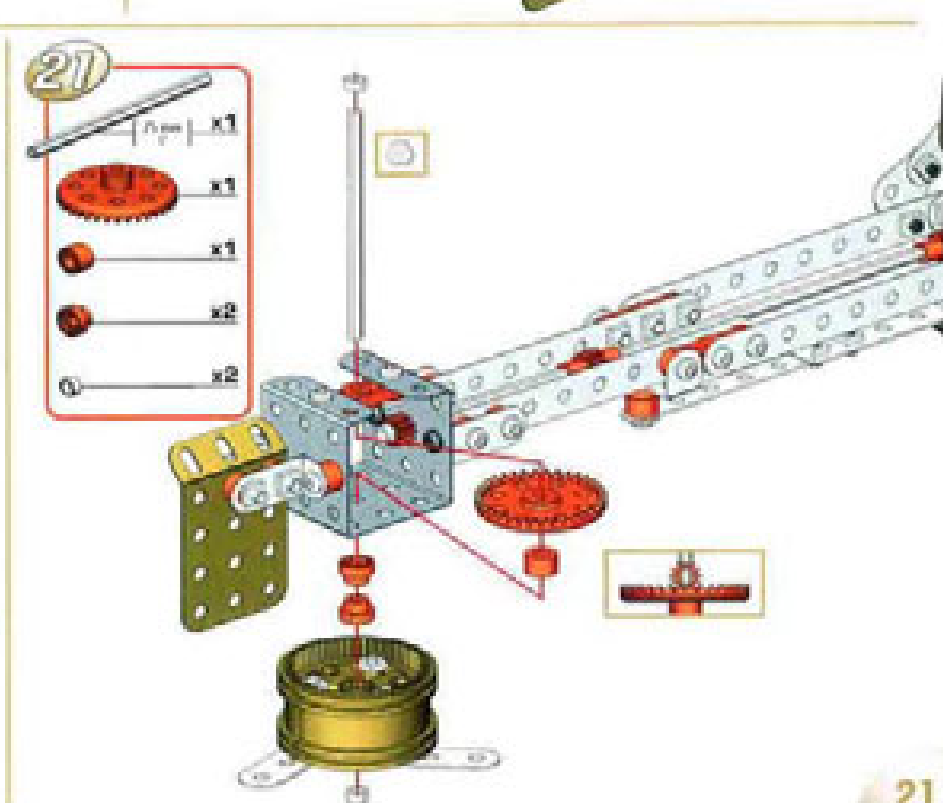
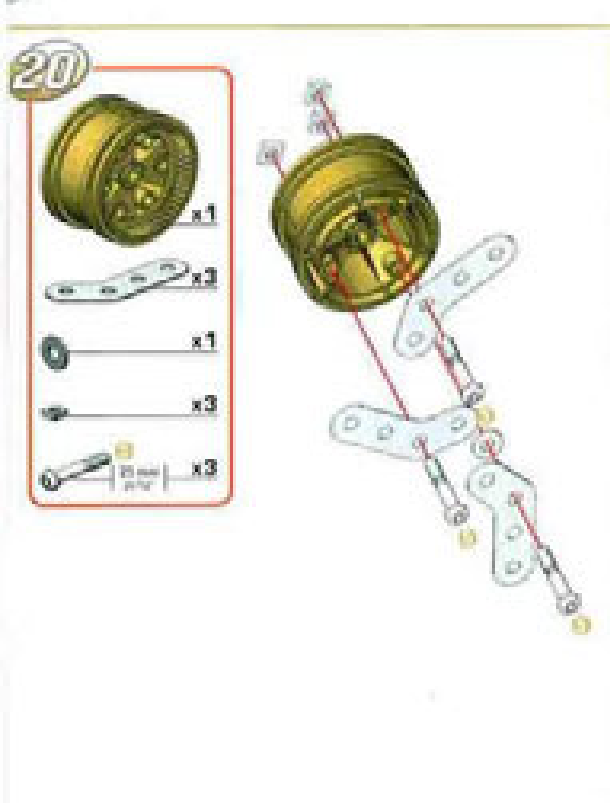
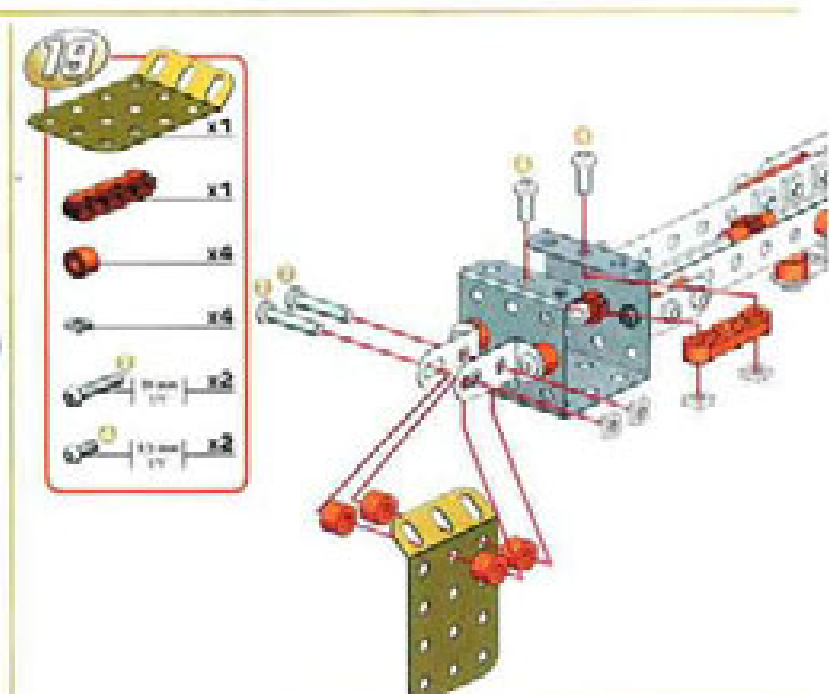
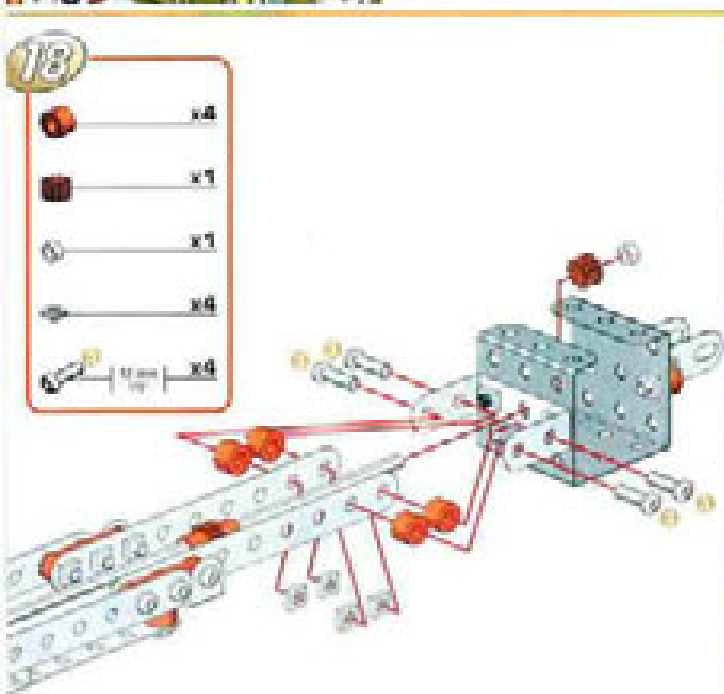
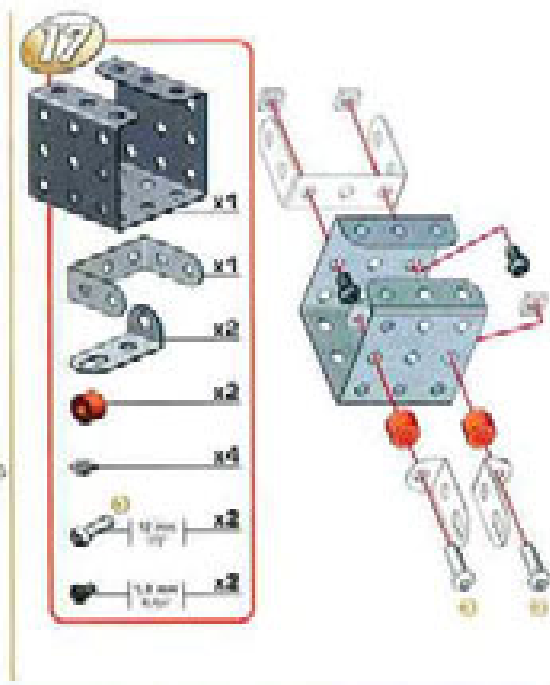
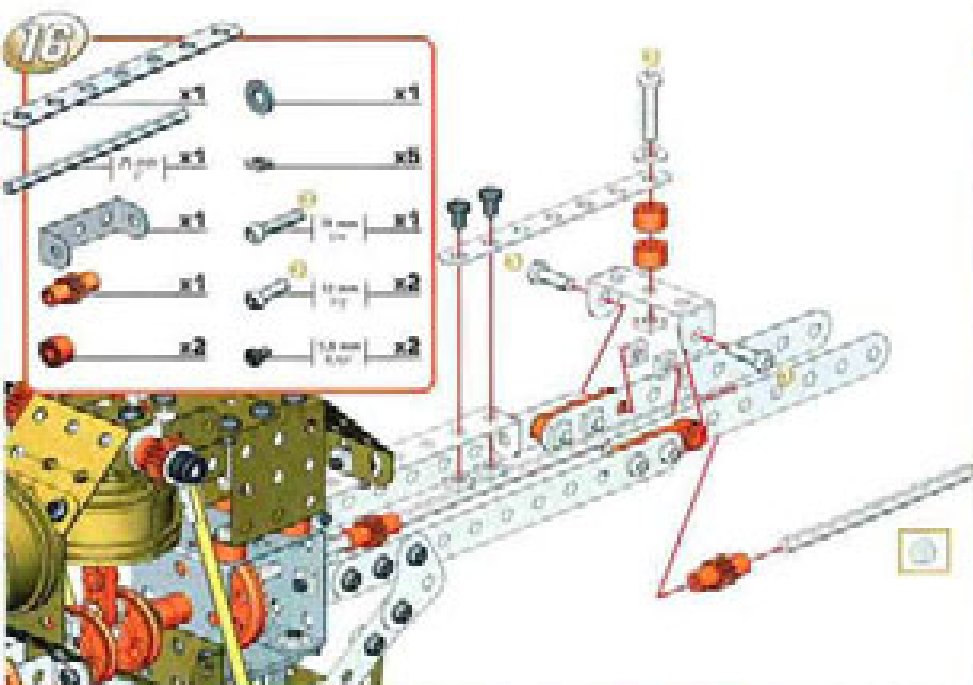
- 9**
- | | | | |
|---|----|---|----|
|  | x1 |  | x3 |
|  | x1 |  | x2 |
|  | x1 |  | x1 |
|  | x1 |  | x1 |



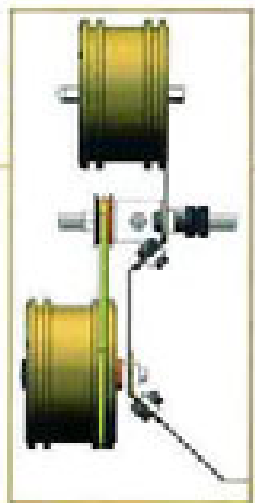
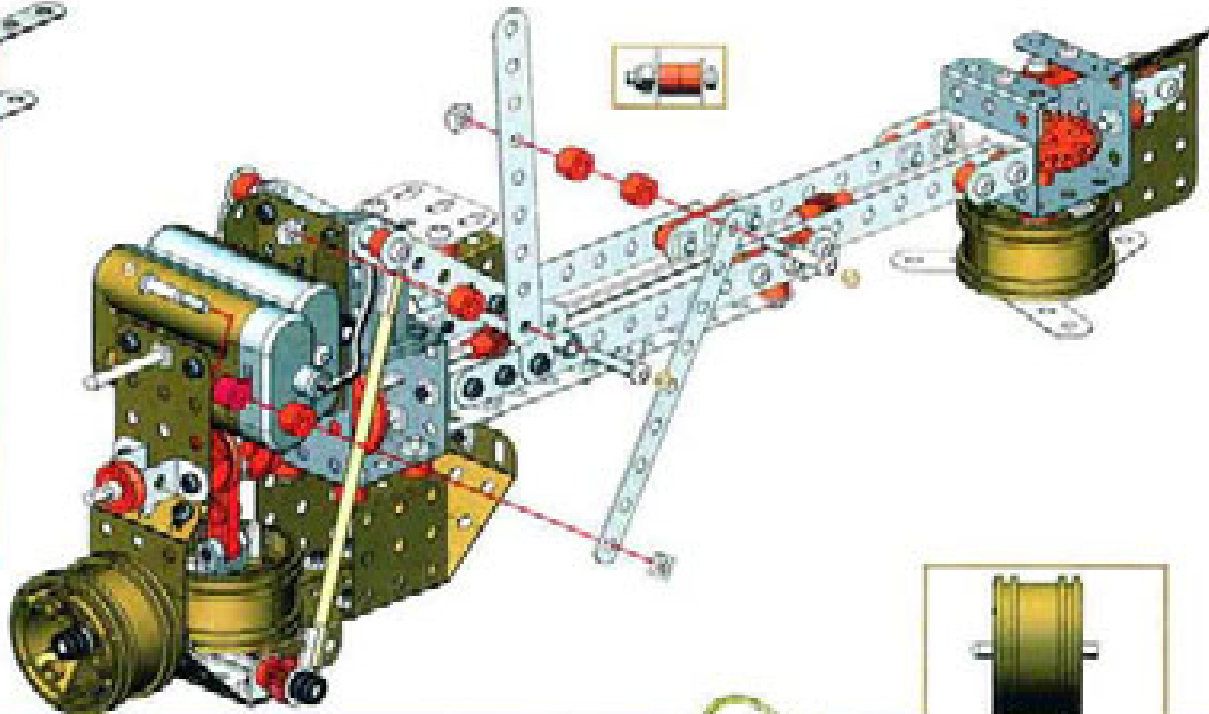
- 10**
- | | | | |
|--|----|---|----|
|  | x1 |  | x3 |
|  | x1 |  | x5 |
|  | x1 |  | x1 |
|  | x1 |  | x4 |



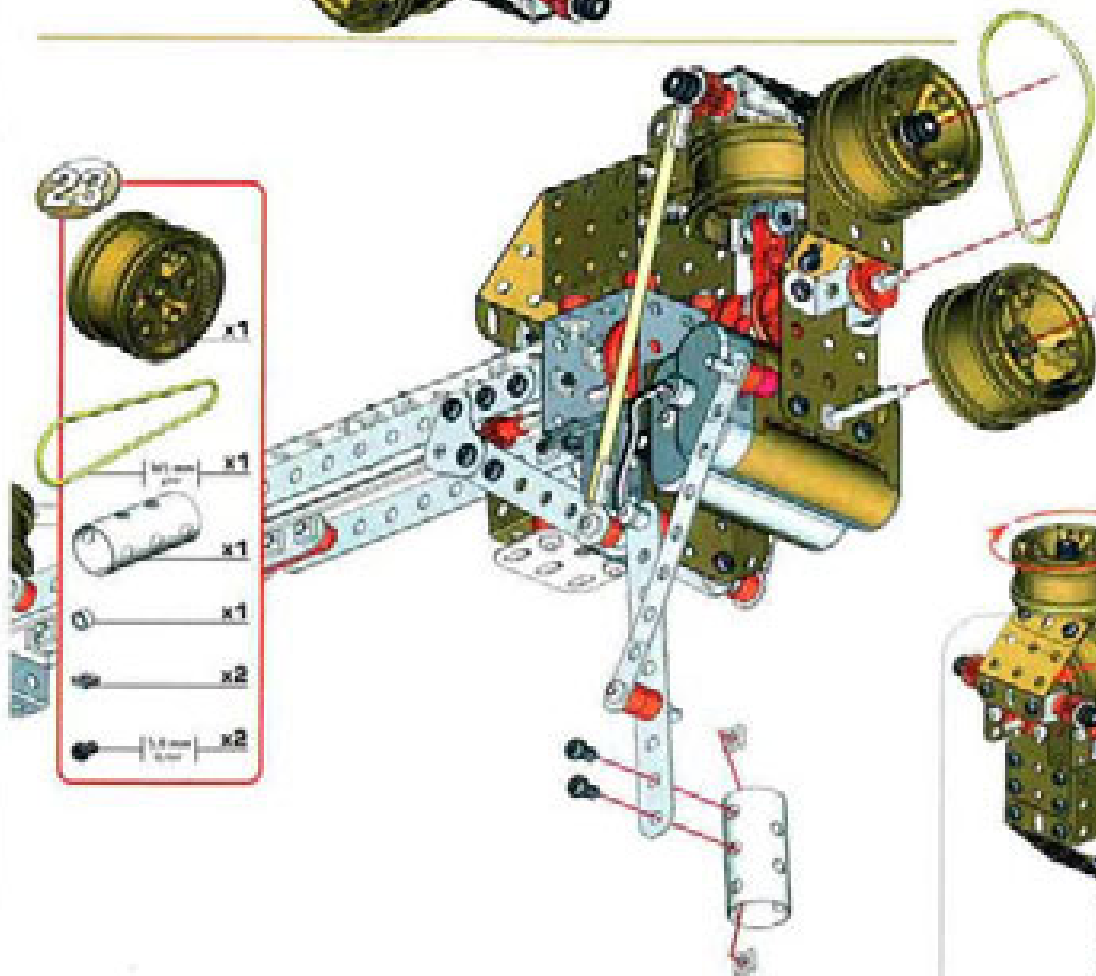


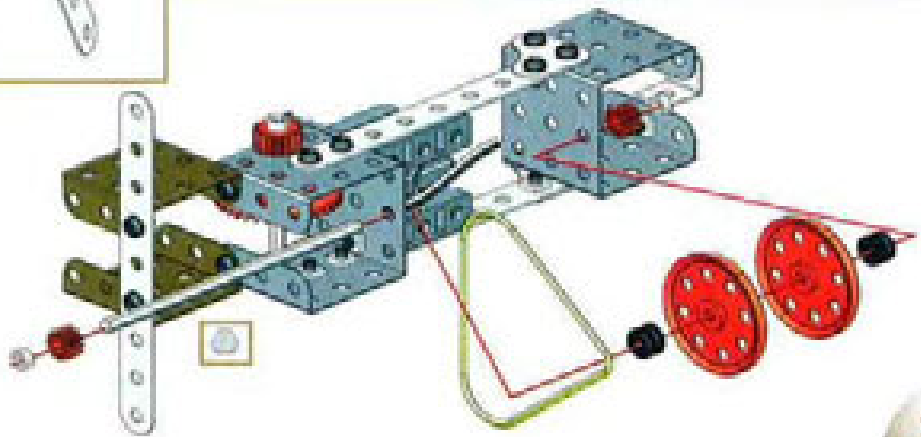
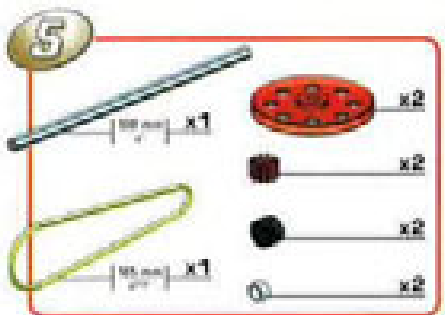
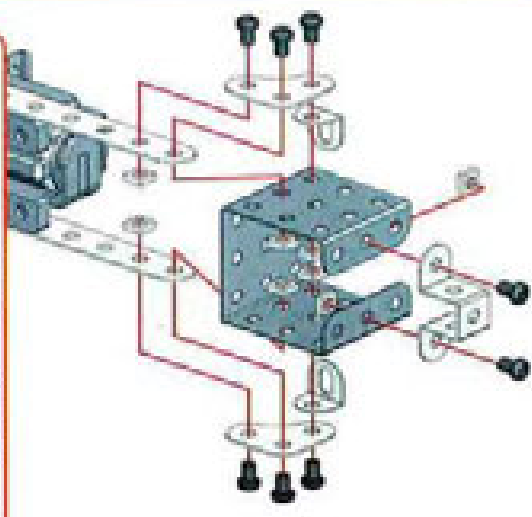
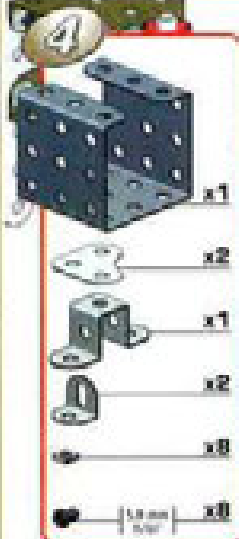
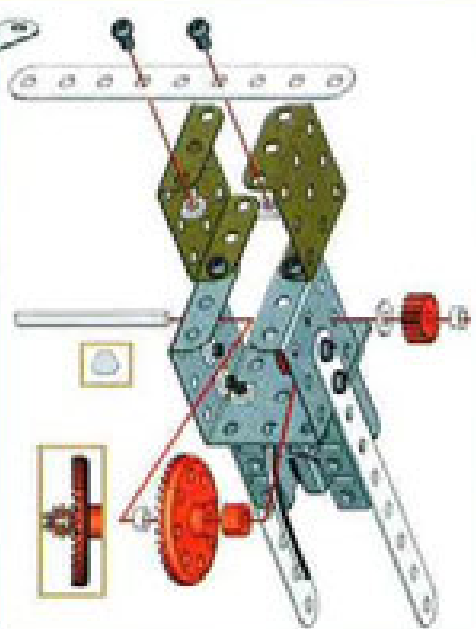
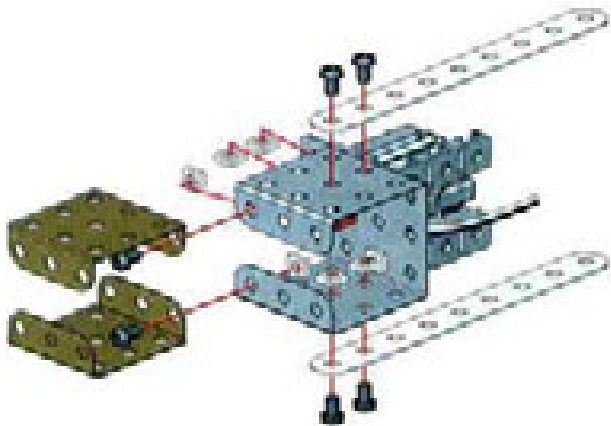
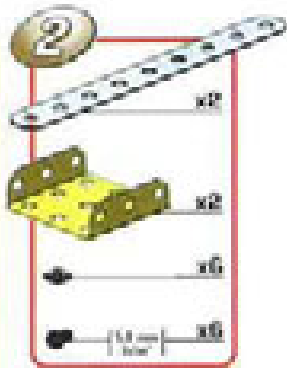
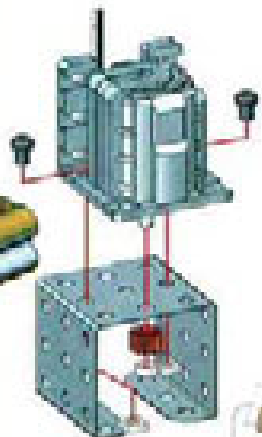
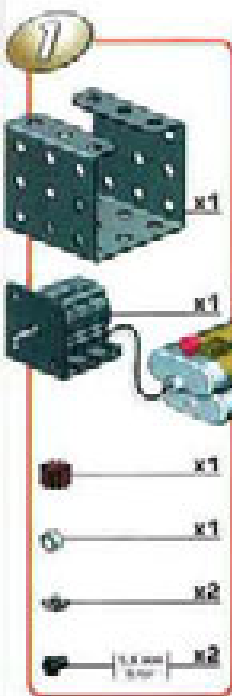


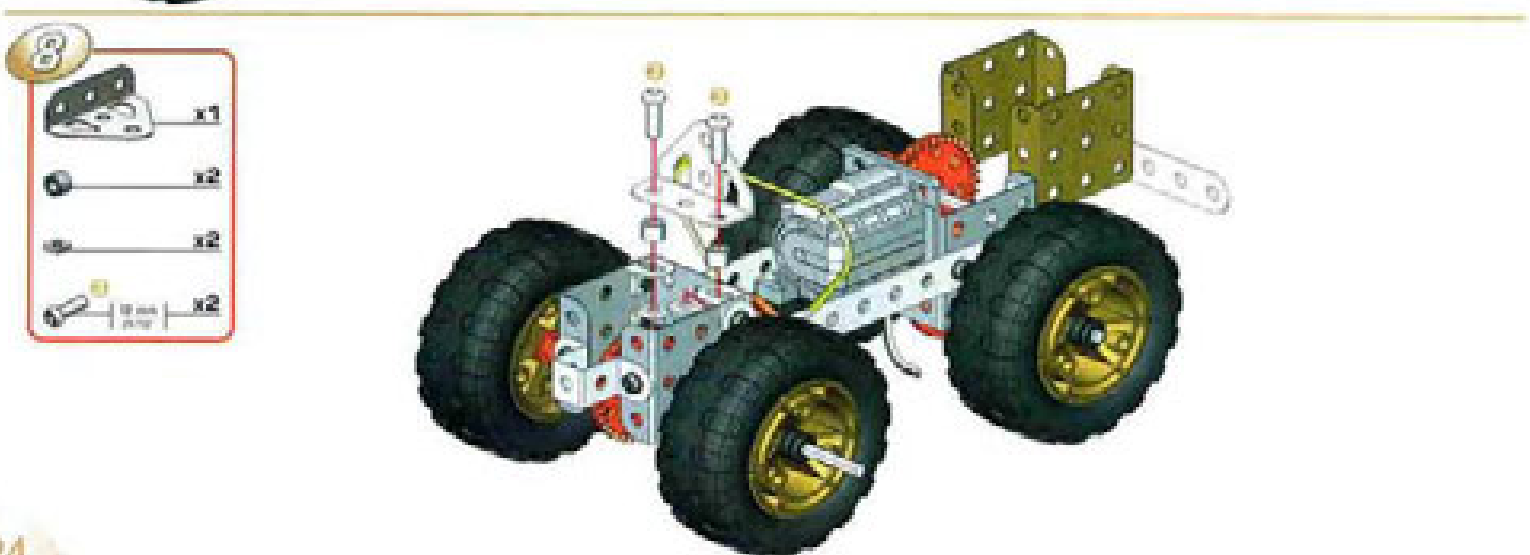
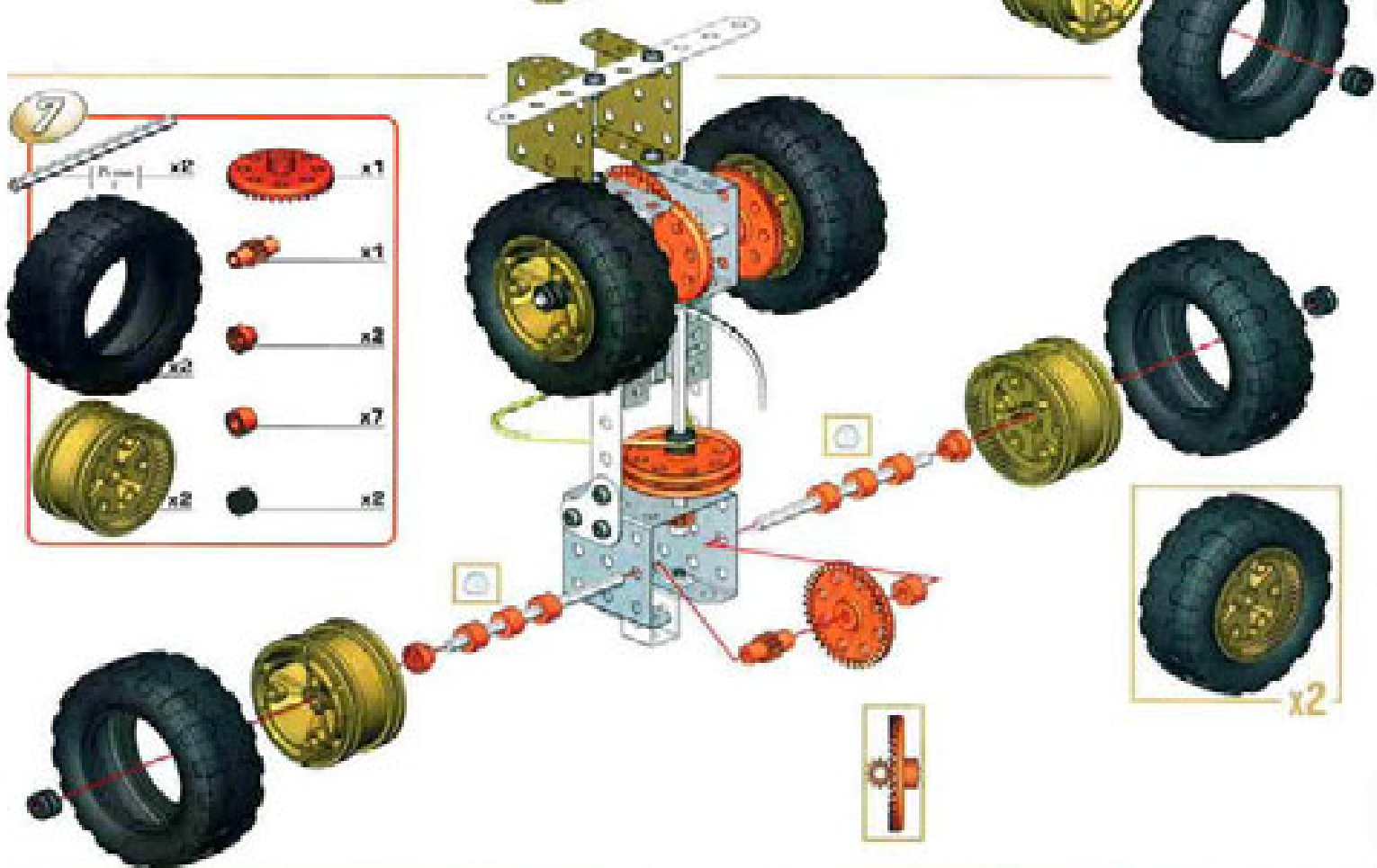
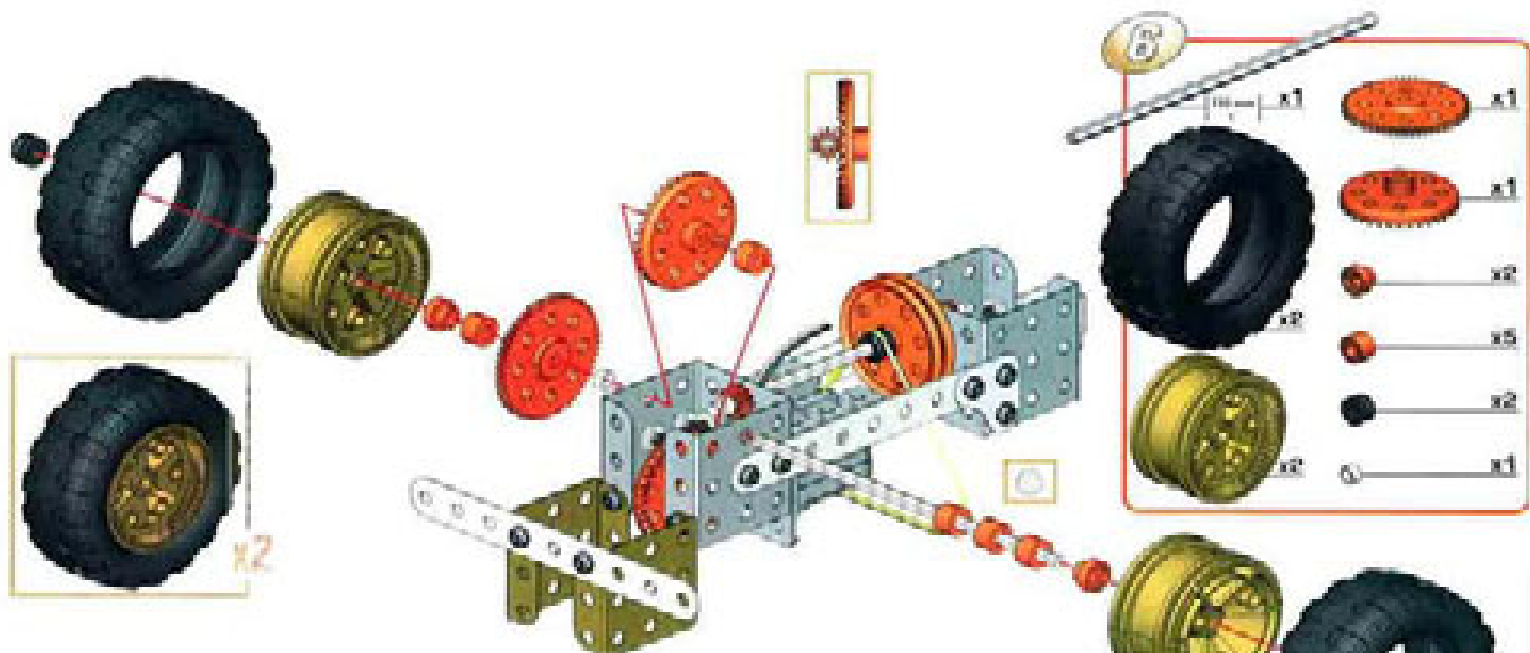
- x1
- x1
- x4
- x1
- x2
- x1
- x2
- x1



- x1
- x1
- x1
- x2
- x2







9

- 1 x 12 Technic Beam (Grey) x2
- 1 x 12 Technic Beam (Green) x1
- 1 x 12 Technic Beam (Green) x1
- 1 x 12 Technic Beam (Green) x1
- 1 x 12 Technic Beam (Green) x1
- 1 x 12 Technic Beam (Grey) x1
- 1 x 12 Technic Beam (Grey) x4
- 1 x 12 Technic Beam (Grey) x4

10

- 1 x 12 Technic Beam (Grey) x2
- 1 x 12 Technic Beam (Grey) x2
- 1 x 12 Technic Beam (Grey) x4
- 1 x 12 Technic Beam (Grey) x4

11

- 1 x 12 Technic Beam (Red) x4
- 1 x 12 Technic Beam (Red) x4
- 1 x 12 Technic Beam (Red) x4

12

- 1 x 12 Technic Beam (Grey) x2
- 1 x 12 Technic Beam (Grey) x2
- 1 x 12 Technic Beam (Grey) x4
- 1 x 12 Technic Beam (Grey) x2
- 1 x 12 Technic Beam (Grey) x2
- 1 x 12 Technic Beam (Grey) x6

13

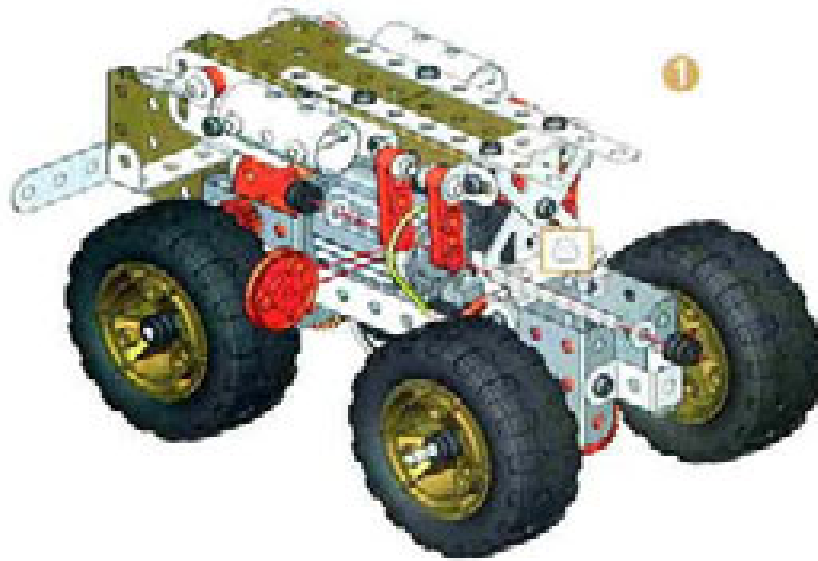
- 1 x 12 Technic Beam (Grey) x2
- 1 x 12 Technic Beam (Grey) x2
- 1 x 12 Technic Beam (Grey) x2

14

- 1 x 12 Technic Beam (Grey) x2
- 1 x 12 Technic Beam (Grey) x2

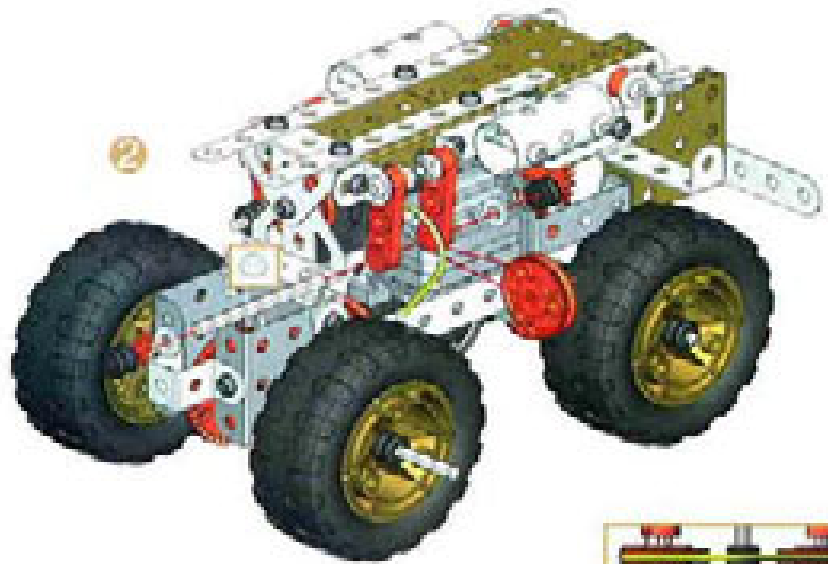
15

-  x2
-  x2
-  x4
-  x4













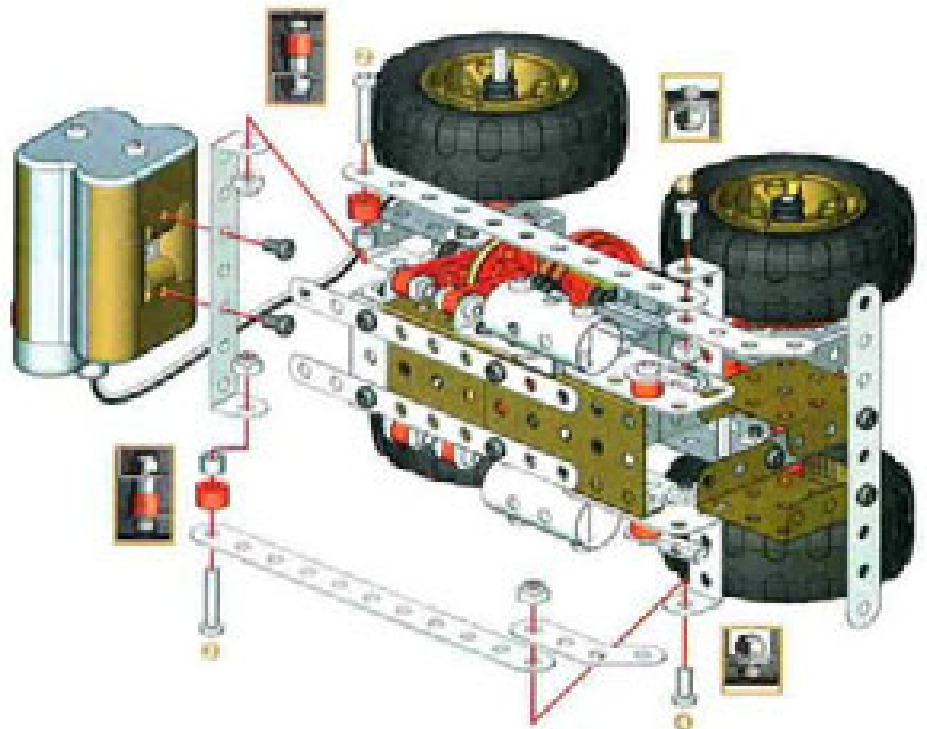
1

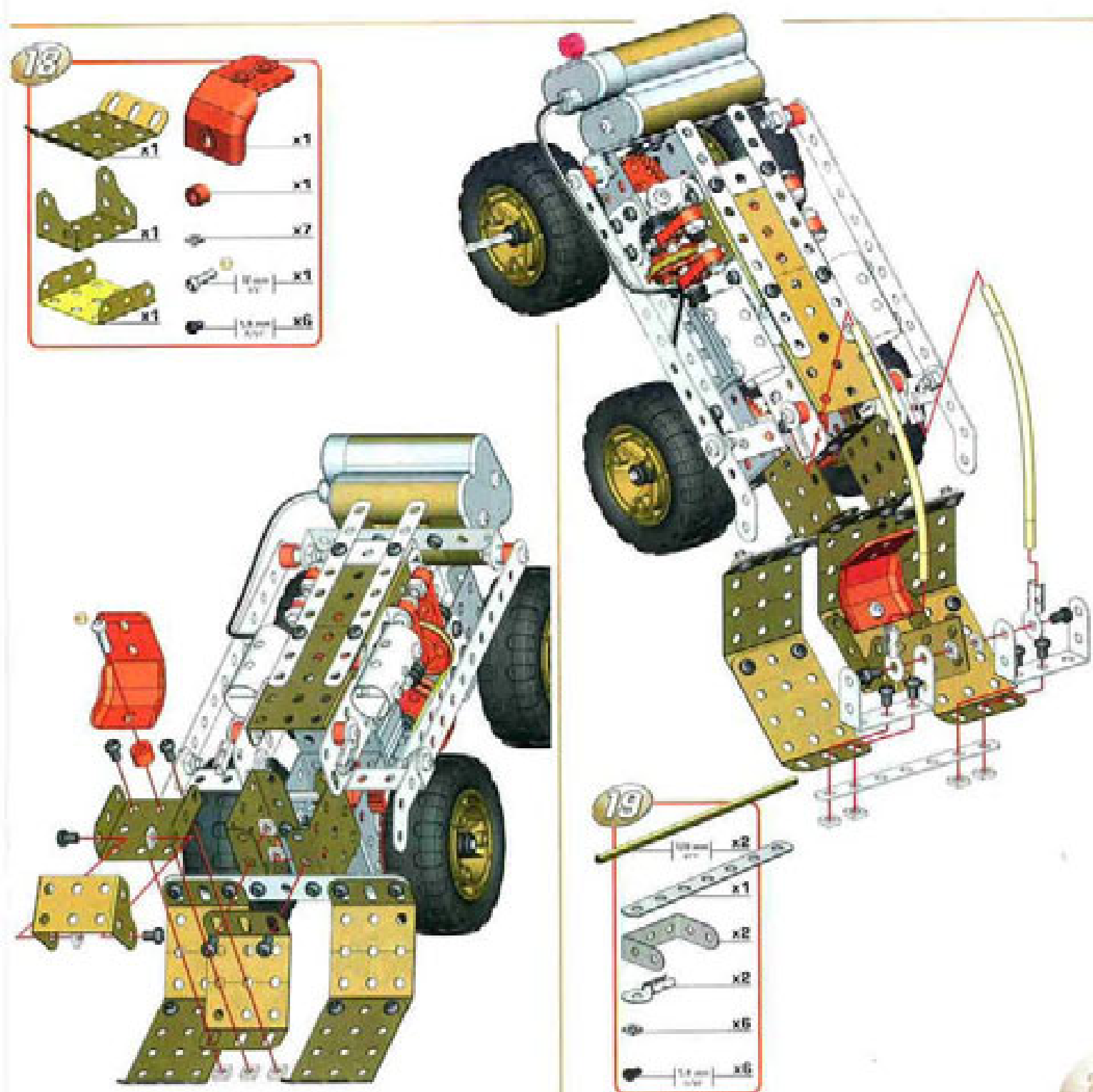
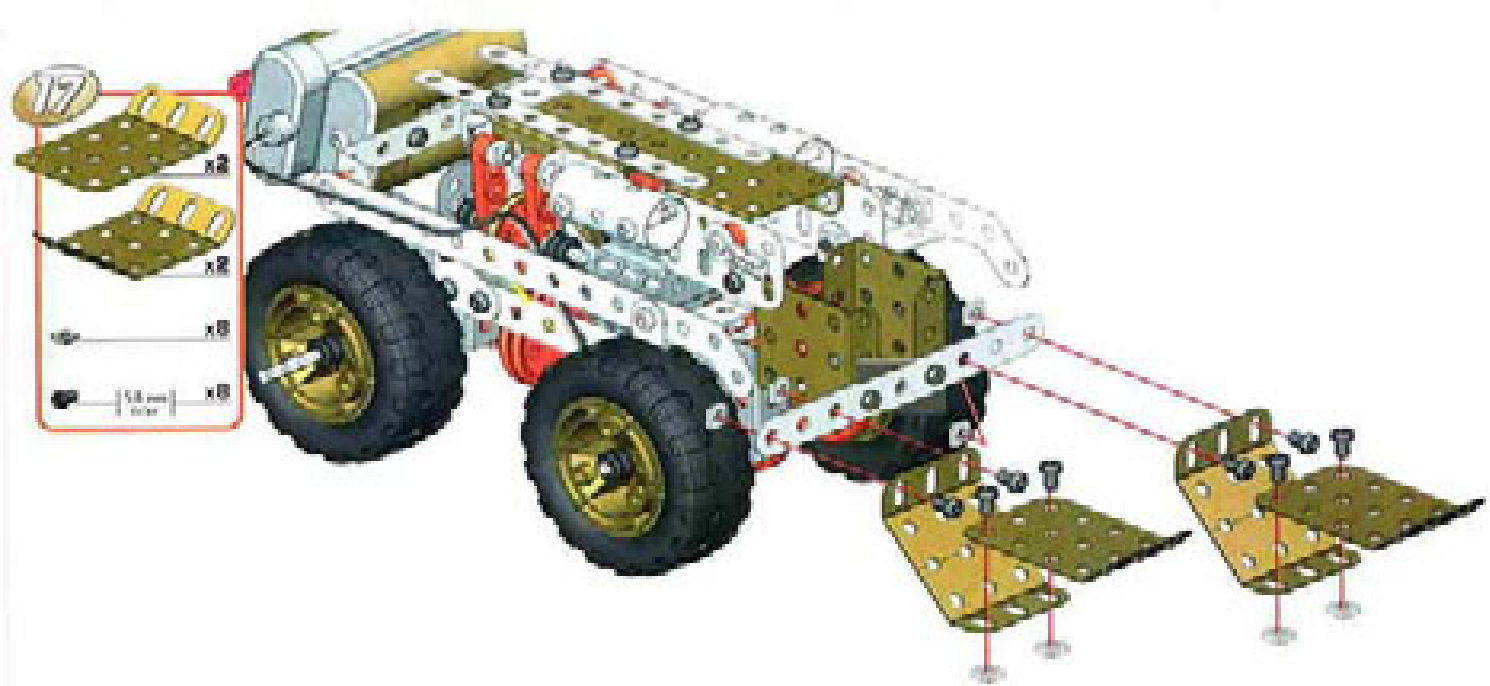
2










16

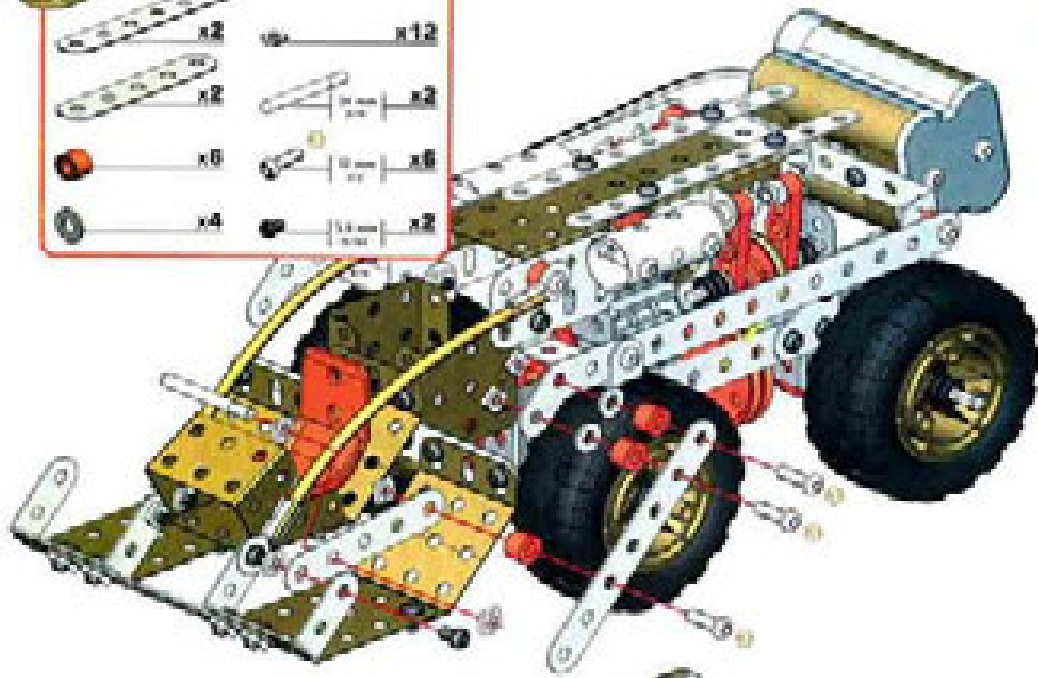
-  x2
-  x2
-  x4
-  x4
-  x1
-  x2
-  x2
-  x2
-  x2
-  x2



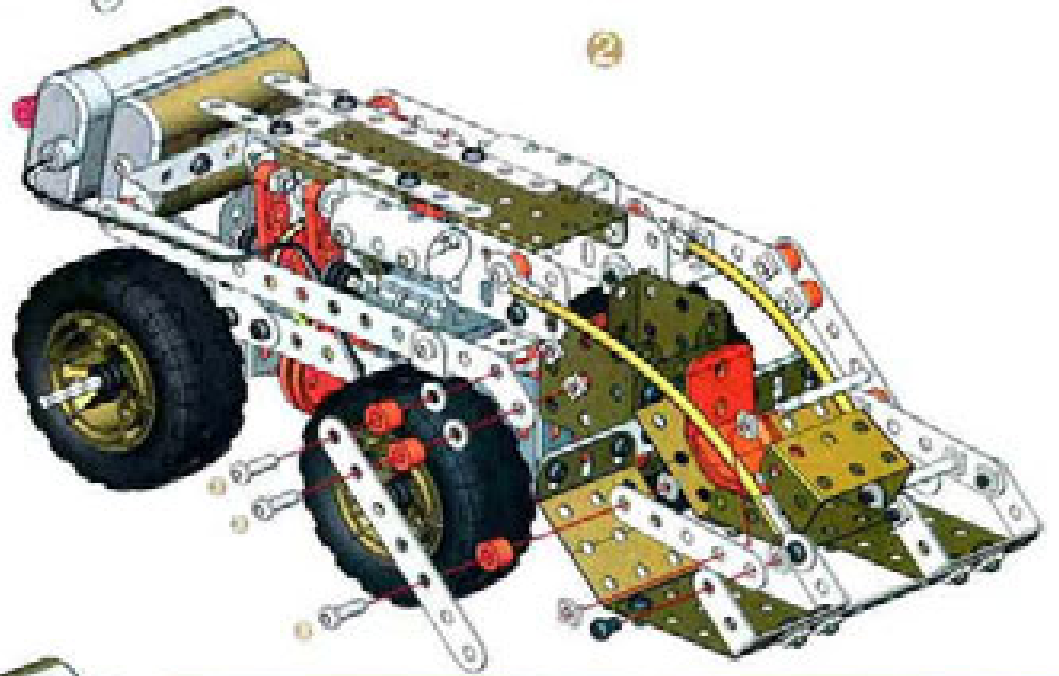


20

-  x2
-  x2
-  x6
-  x4
-  x12
-  x2
-  x6
-  x2



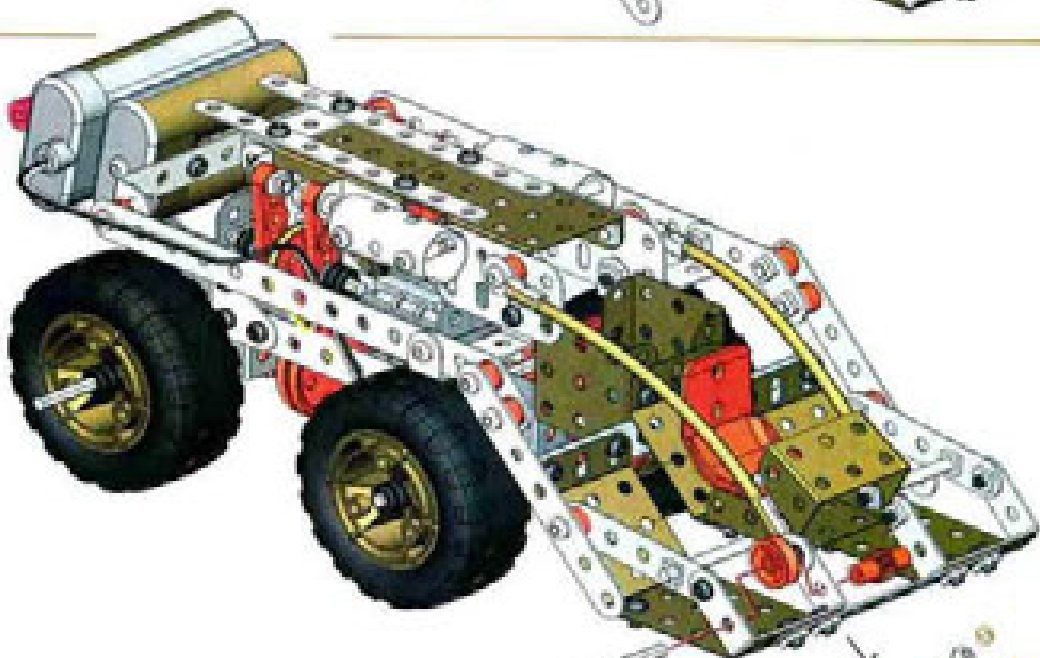
1



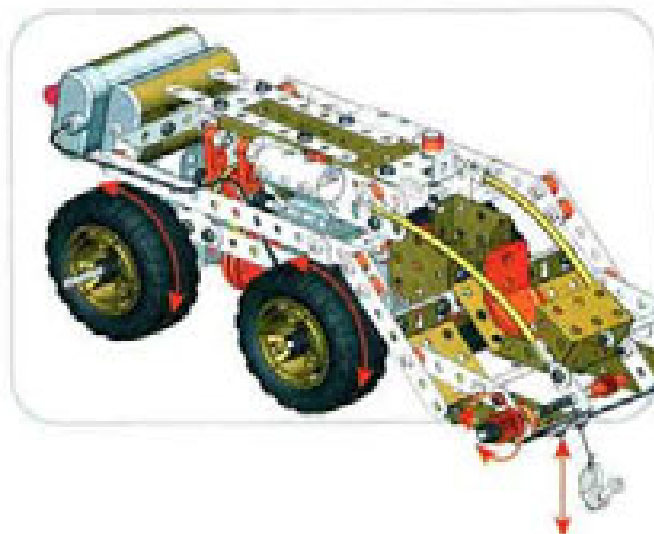
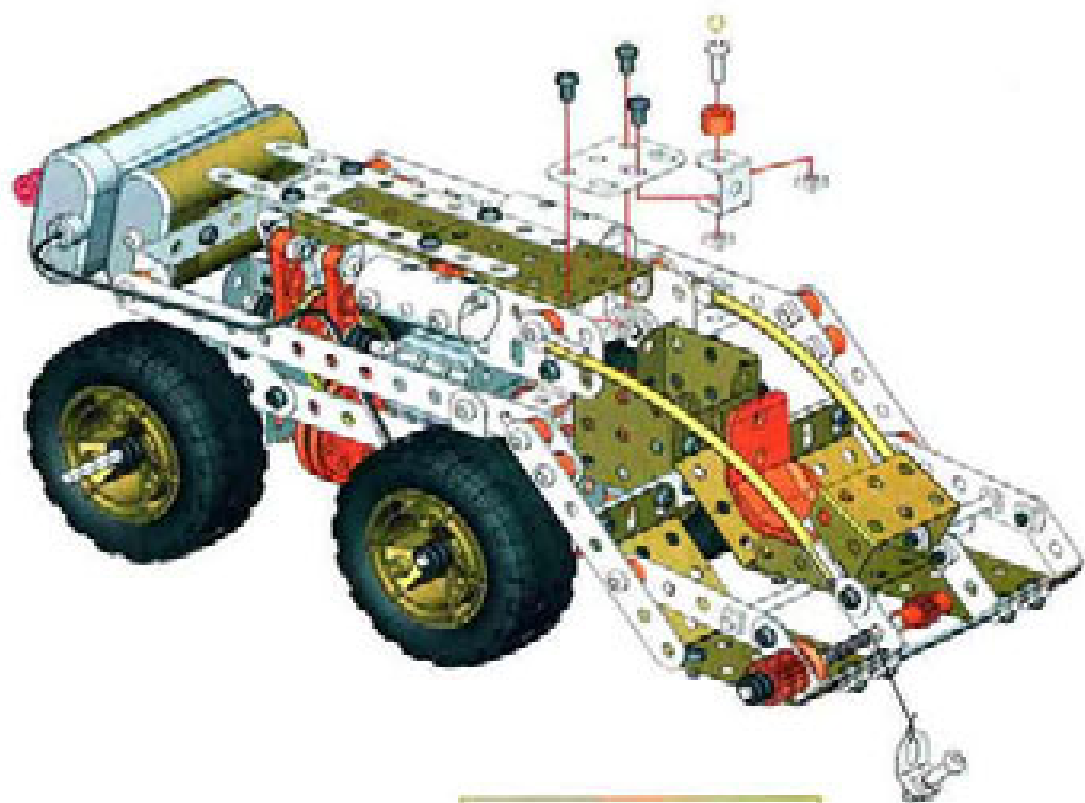
2

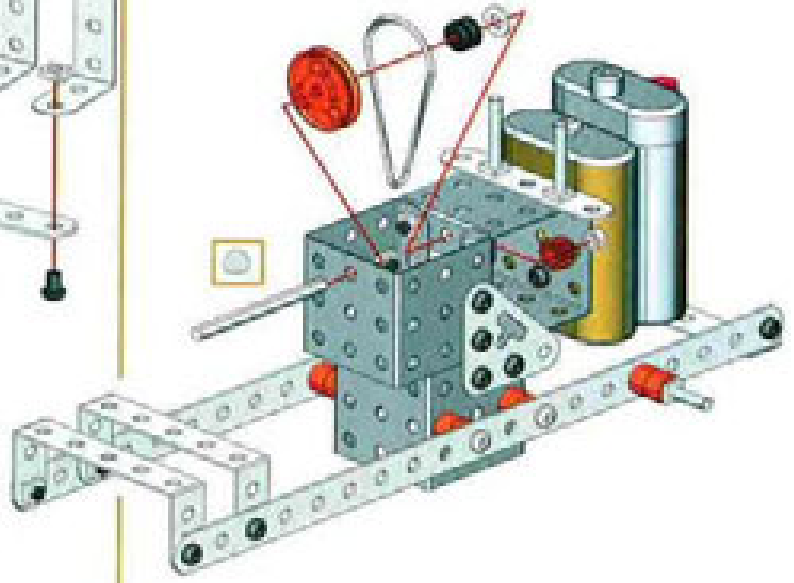
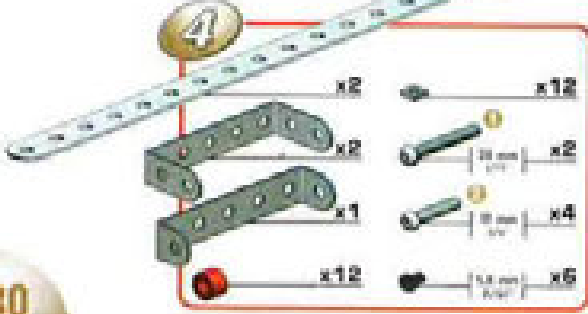
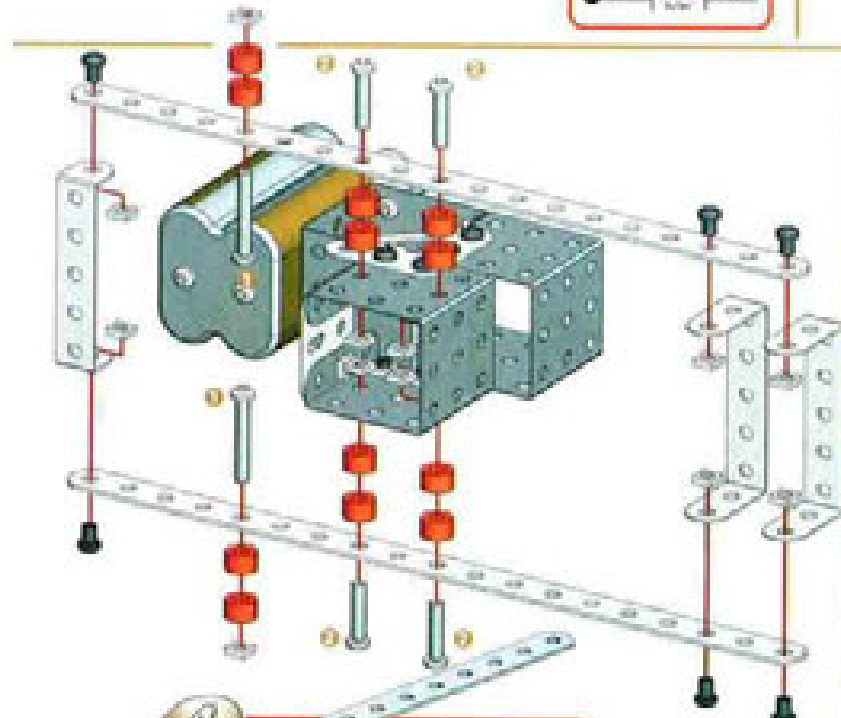
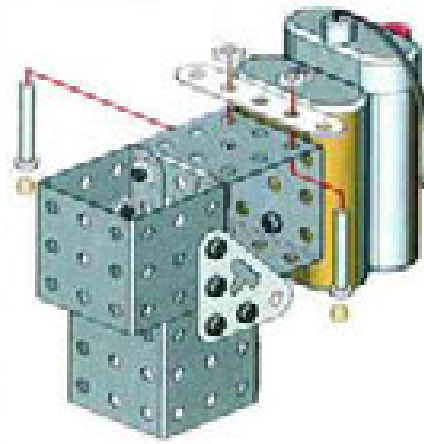
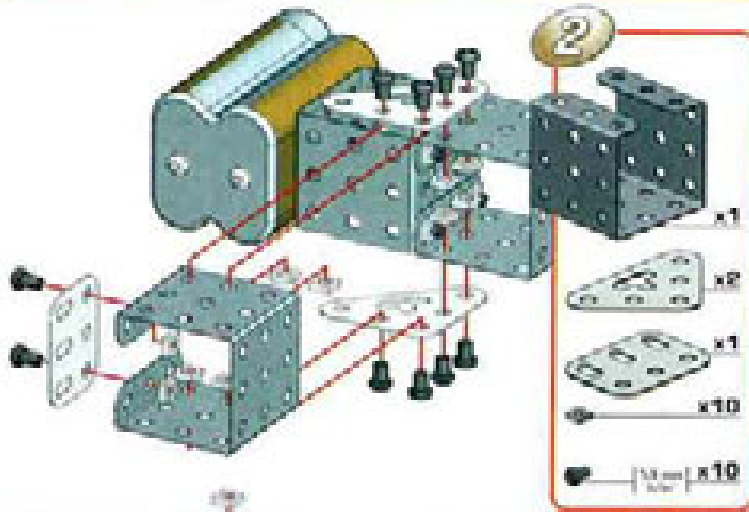
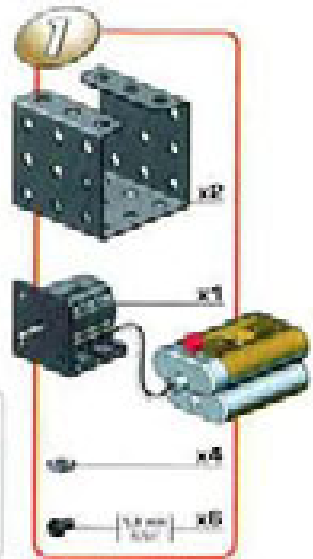
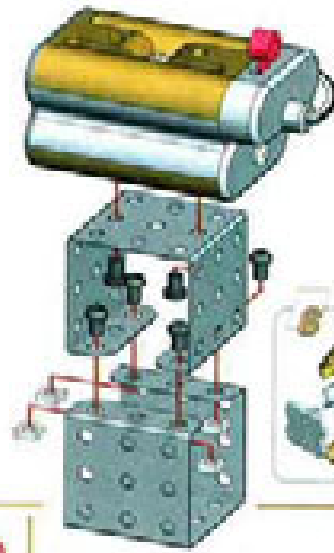
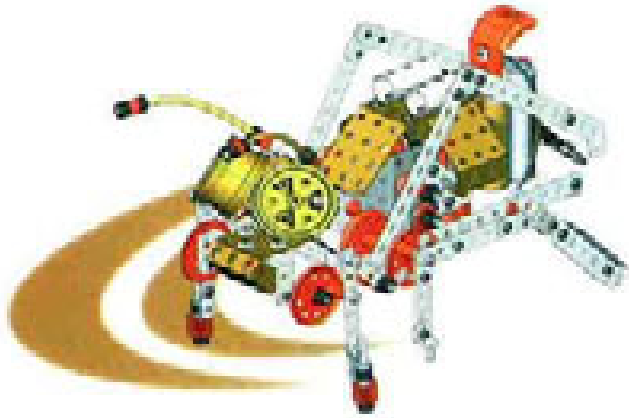
21

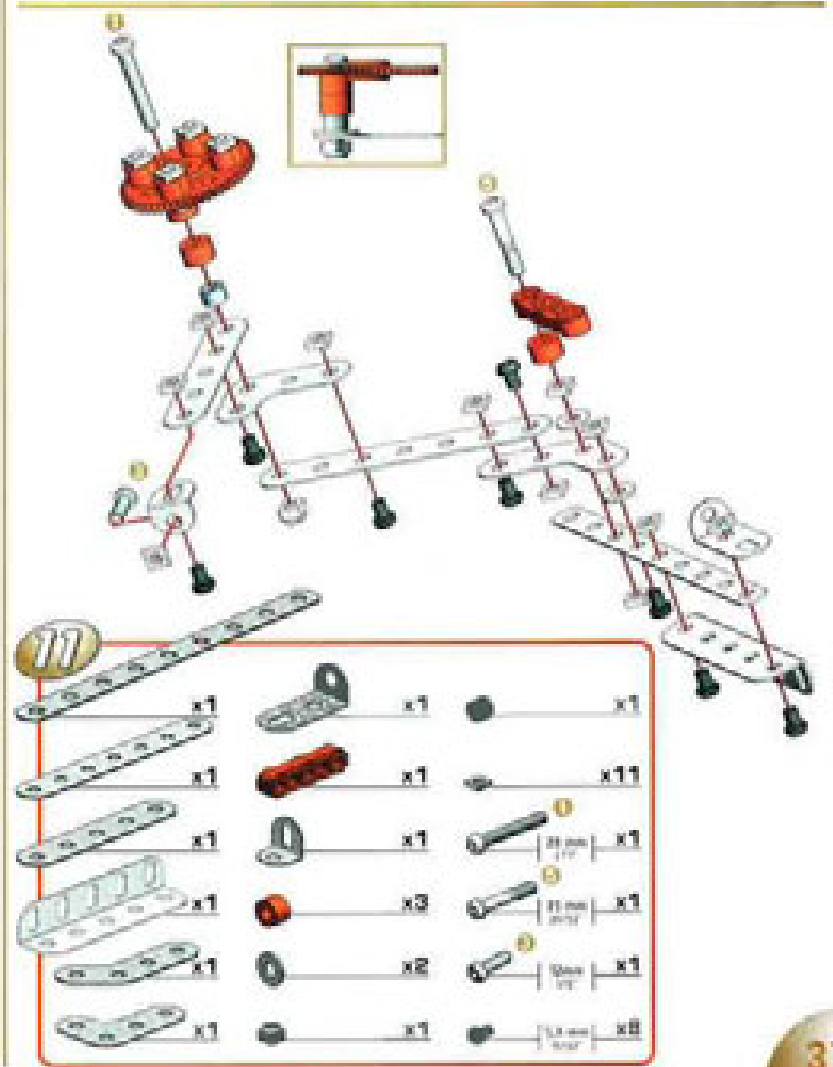
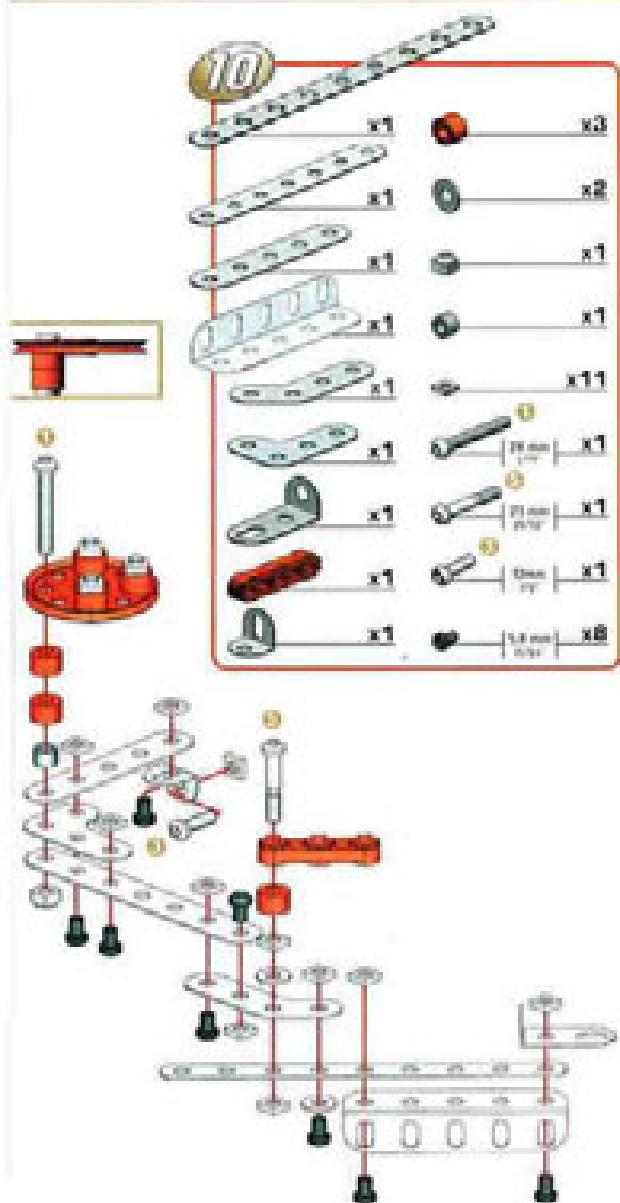
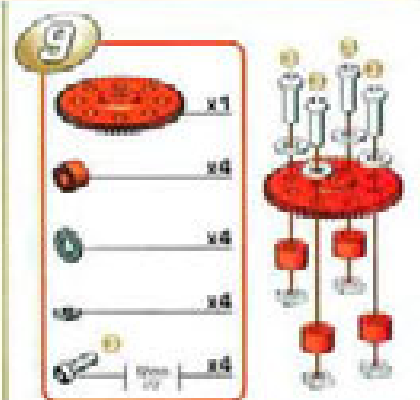
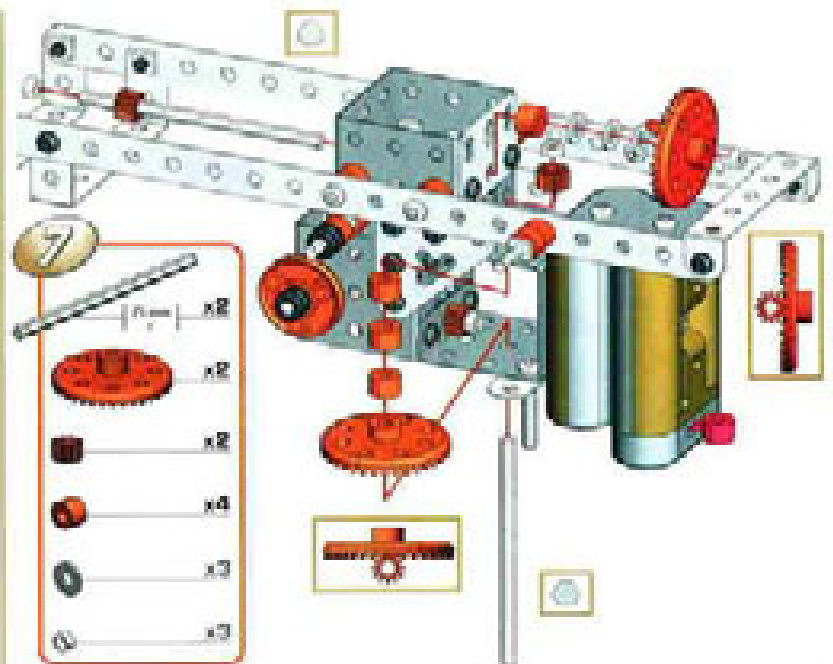
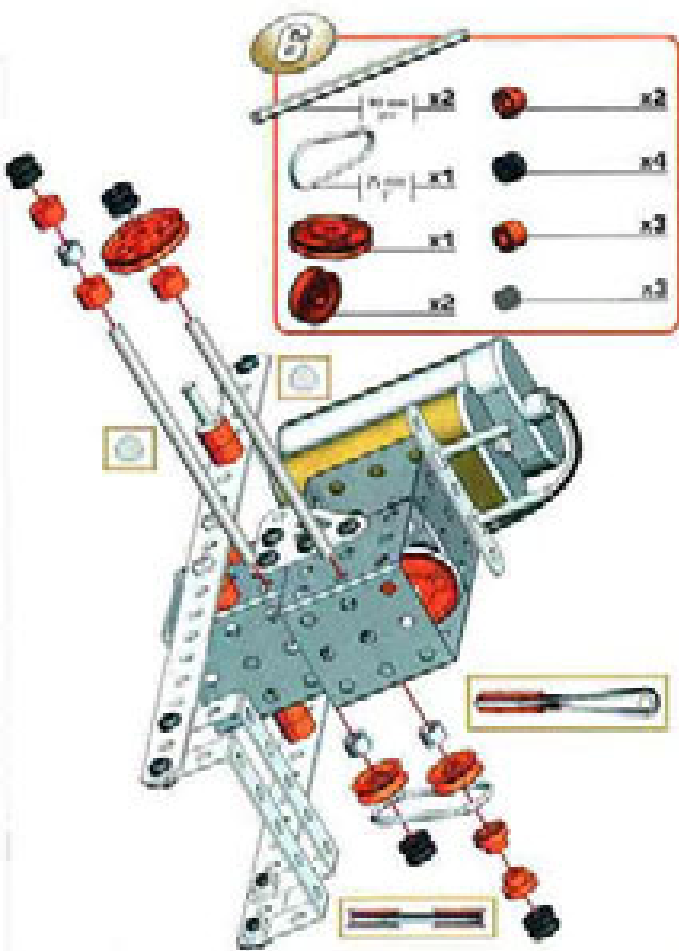
-  x1
-  x1
-  x1
-  x2
-  x1
-  x1
-  x1
-  x2
-  x1

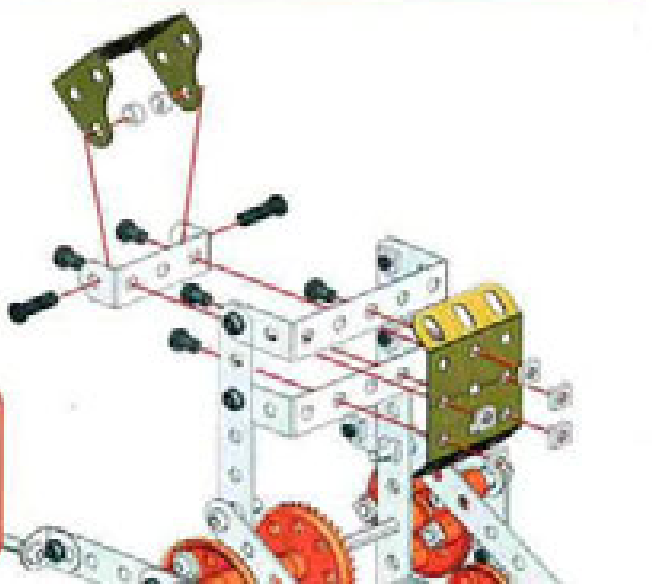
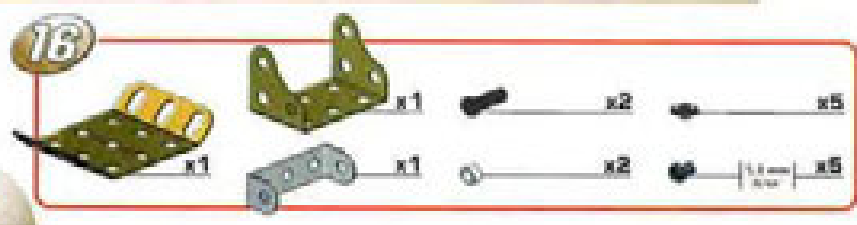
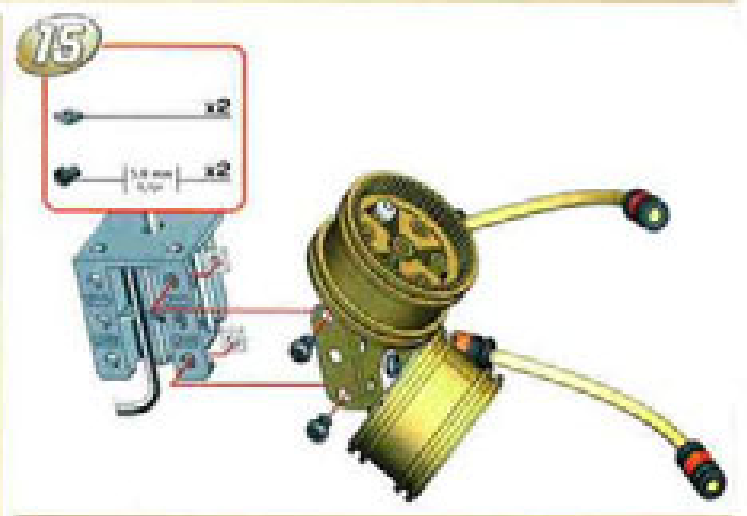
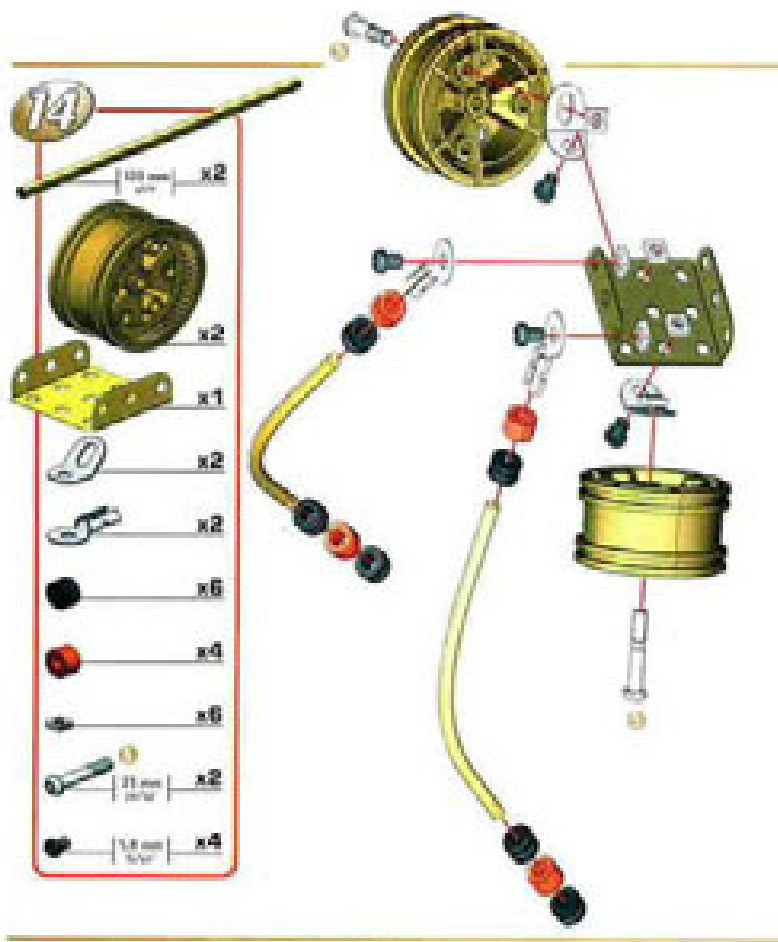
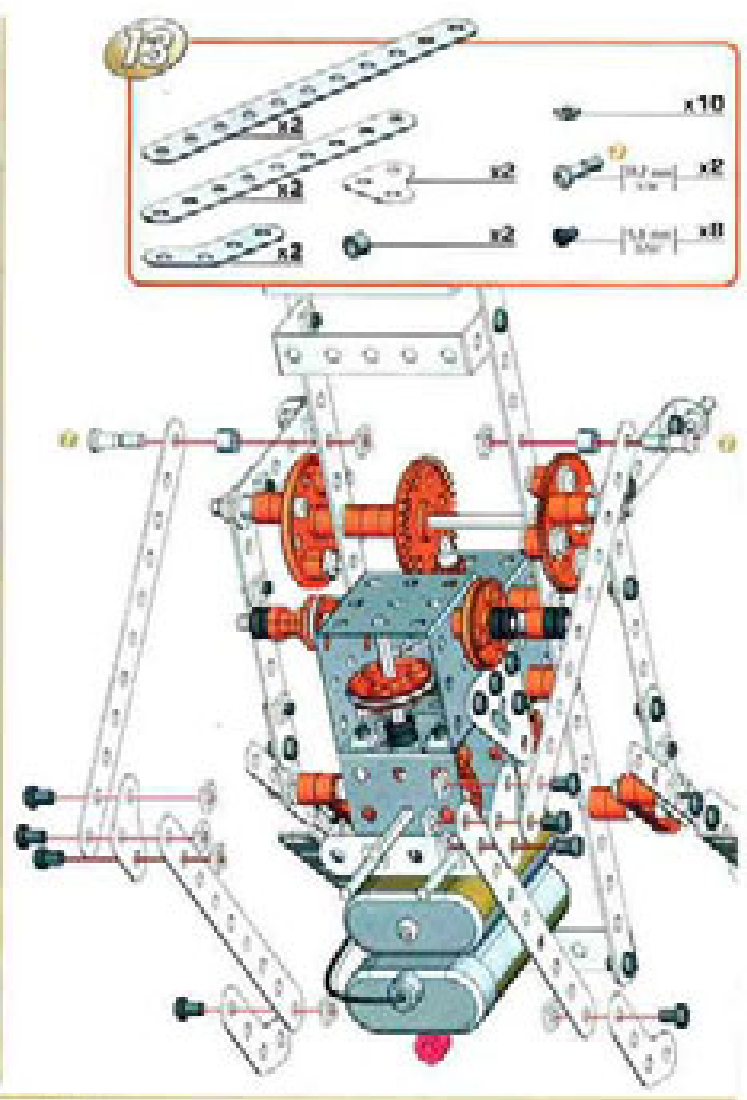
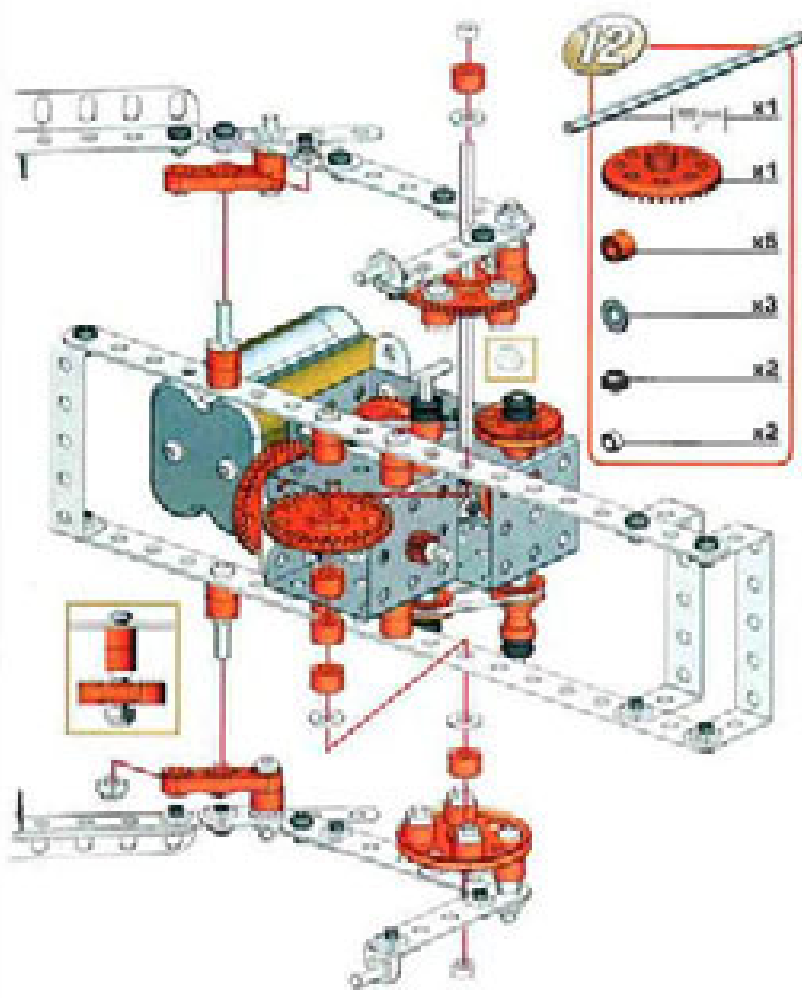


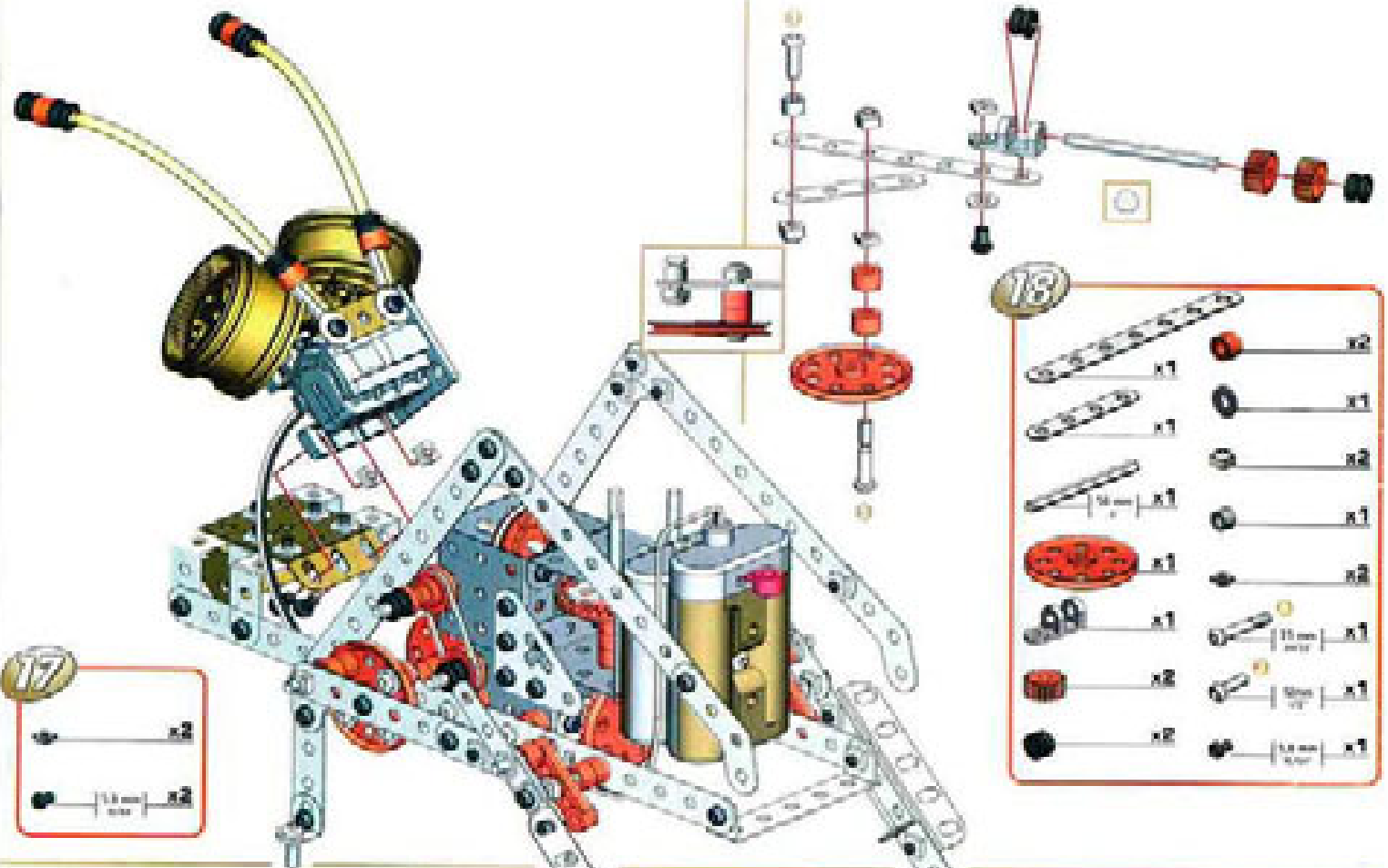
-  x1
-  x1
-  x1
-  x6
-  x1
-  x2





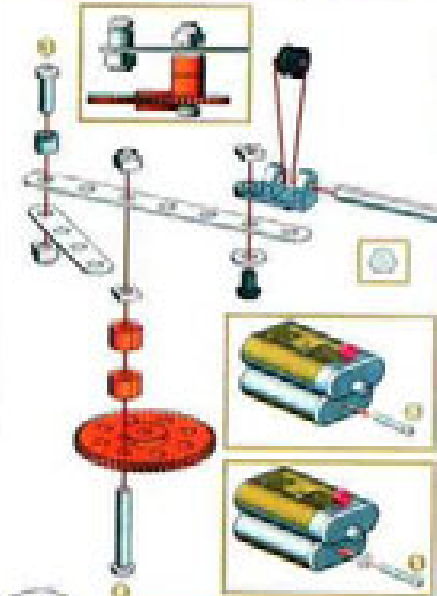




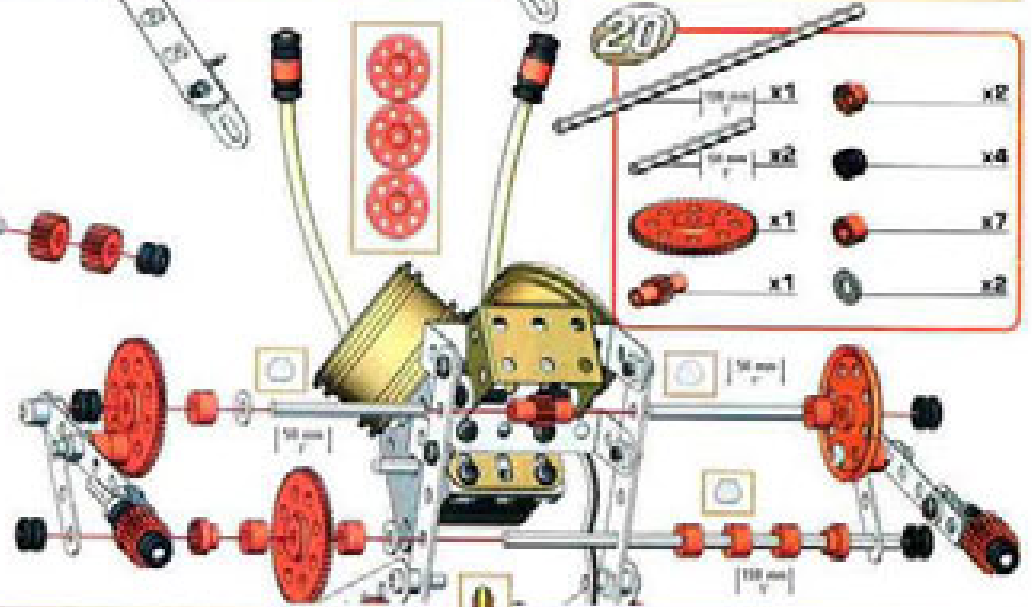


- 17**
- x2
 - x2

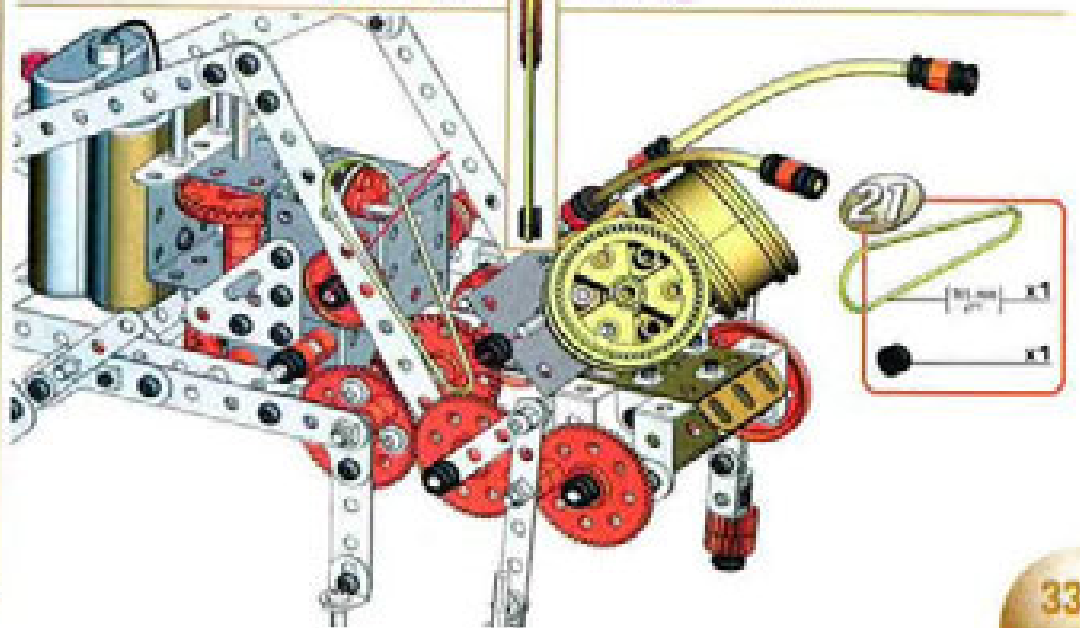
- 18**
- | | | | |
|--|----|--|----|
| | x1 | | x2 |
| | x1 | | x1 |
| | x1 | | x2 |
| | x1 | | x1 |
| | x1 | | x2 |
| | x2 | | x1 |
| | x2 | | x1 |
| | x1 | | x1 |



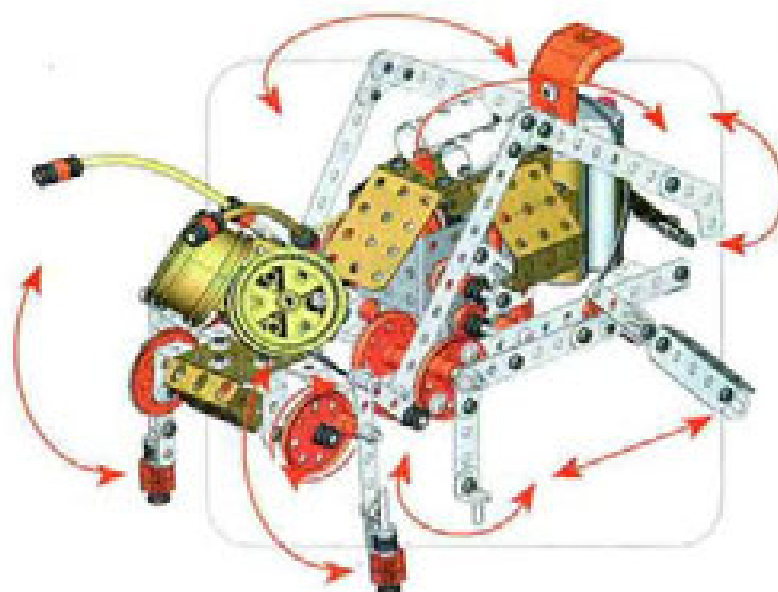
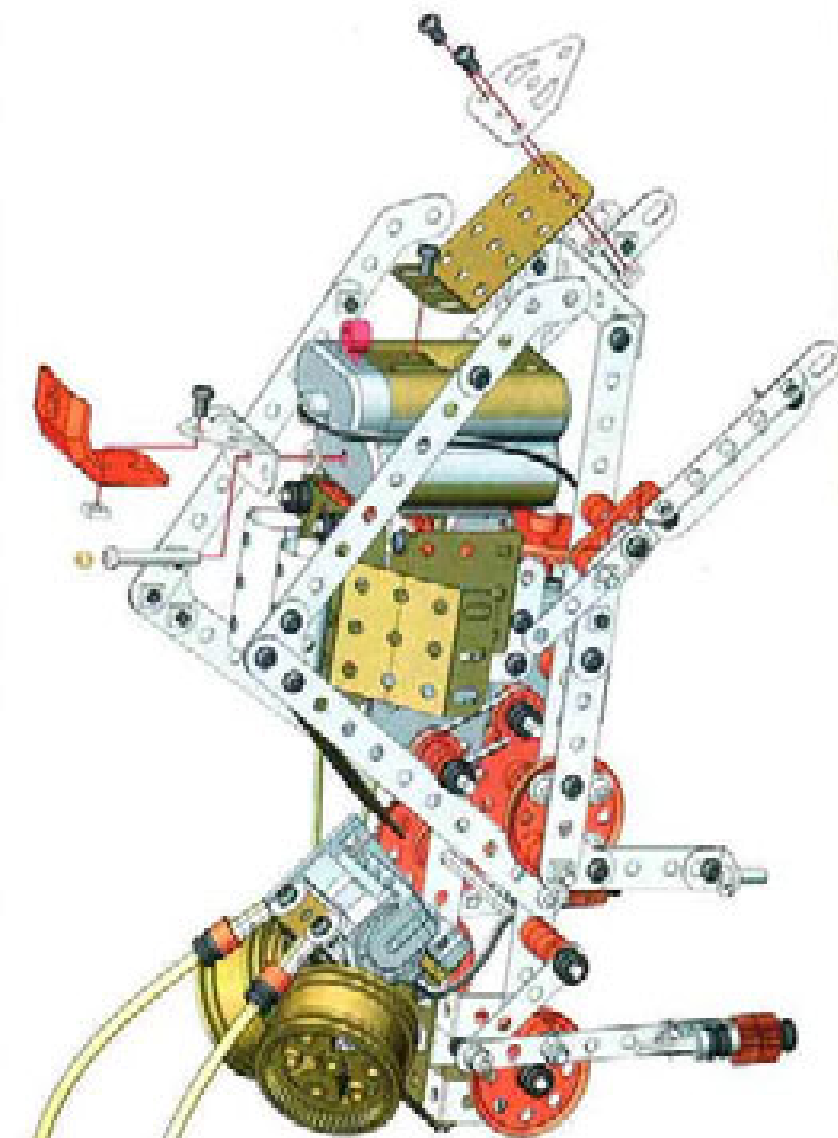
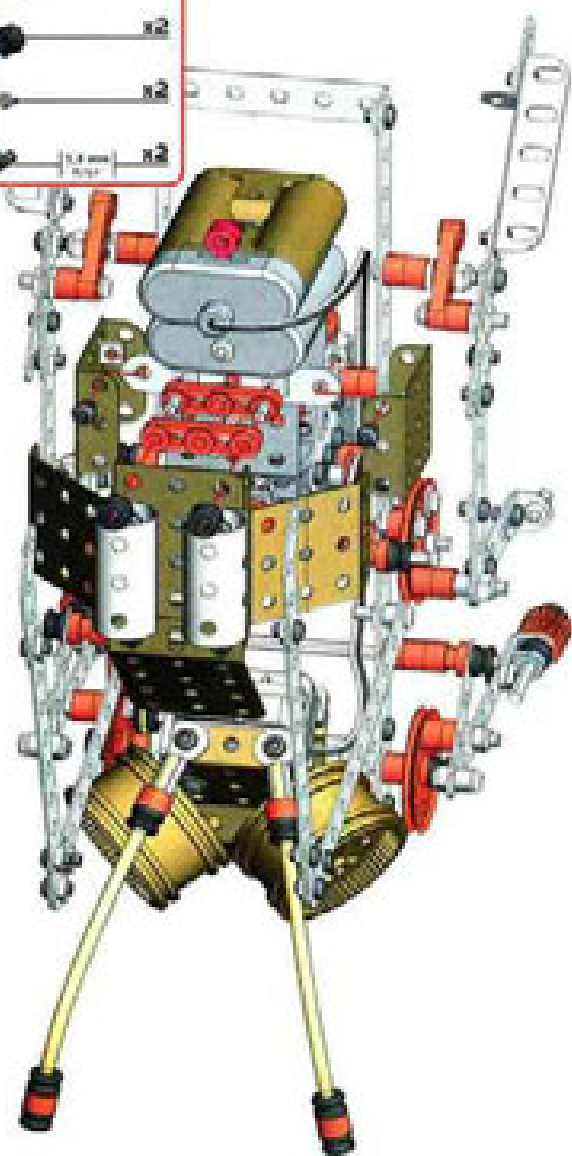
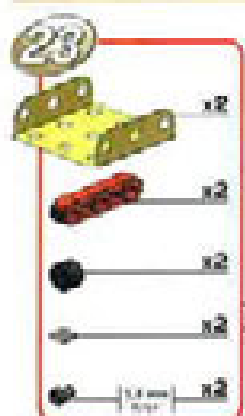
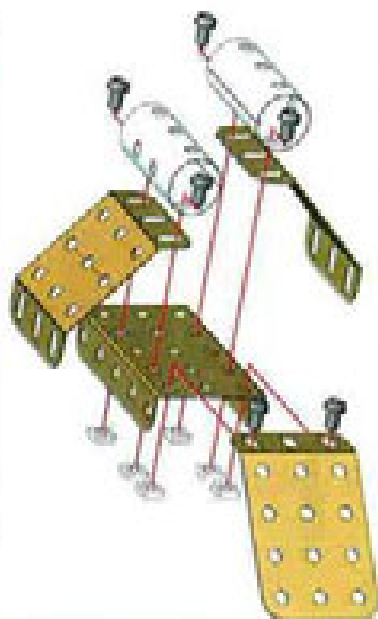
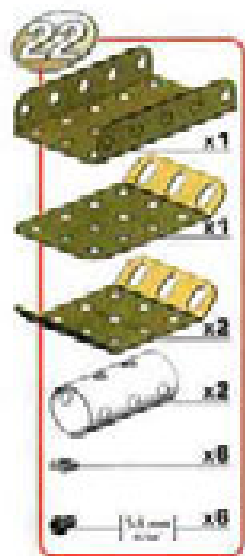
- 19**
- | | | | |
|--|----|--|----|
| | x1 | | x2 |
| | x1 | | x2 |
| | x1 | | x2 |
| | x1 | | x1 |
| | x1 | | x2 |
| | x2 | | x1 |
| | x2 | | x1 |
| | x1 | | x1 |



- 20**
- | | | | |
|--|----|--|----|
| | x1 | | x2 |
| | x2 | | x4 |
| | x1 | | x2 |
| | x1 | | x2 |

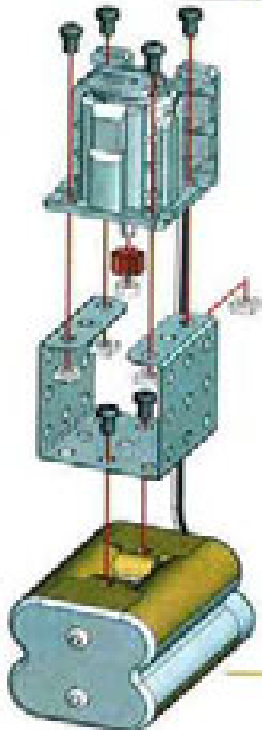


- 27**
- x1
 - x1

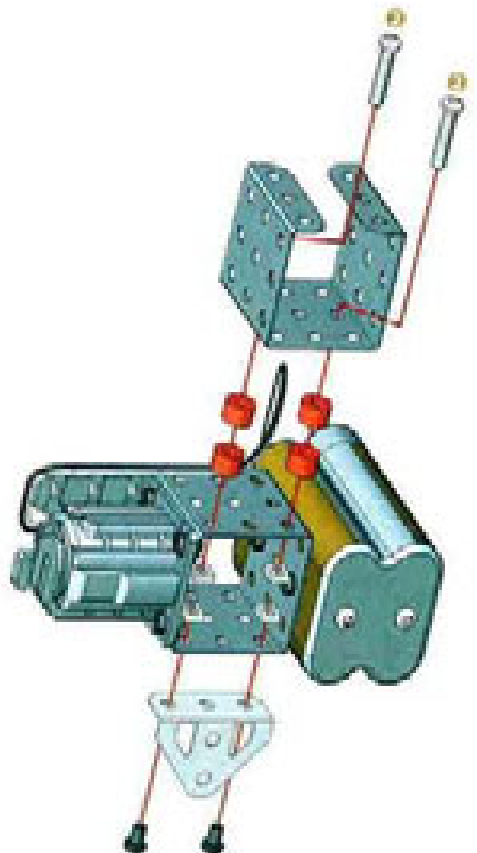




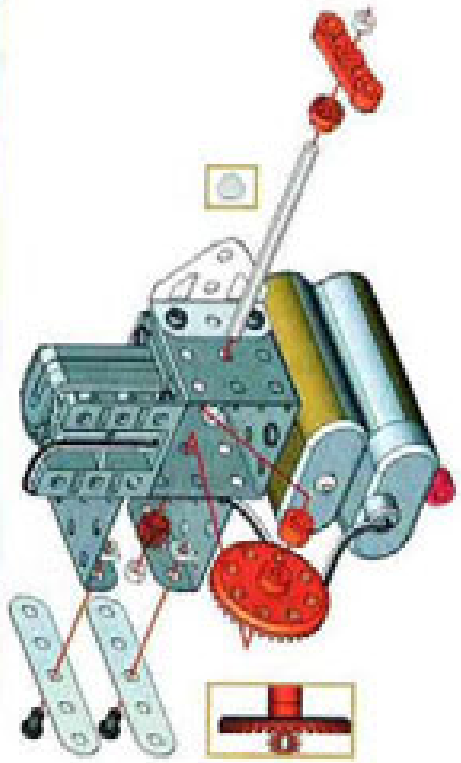
- 1**
- x1
 - x1
 - x1
 - x1
 - x4
 - x6



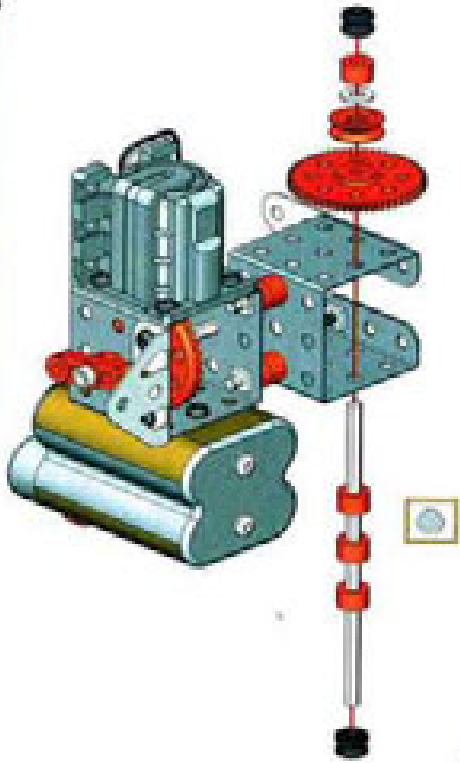
- 2**
- x1
 - x1
 - x4
 - x4
 - x2
 - x2

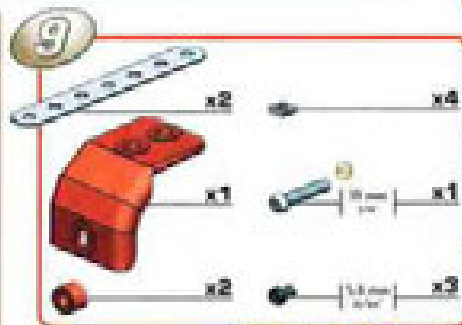
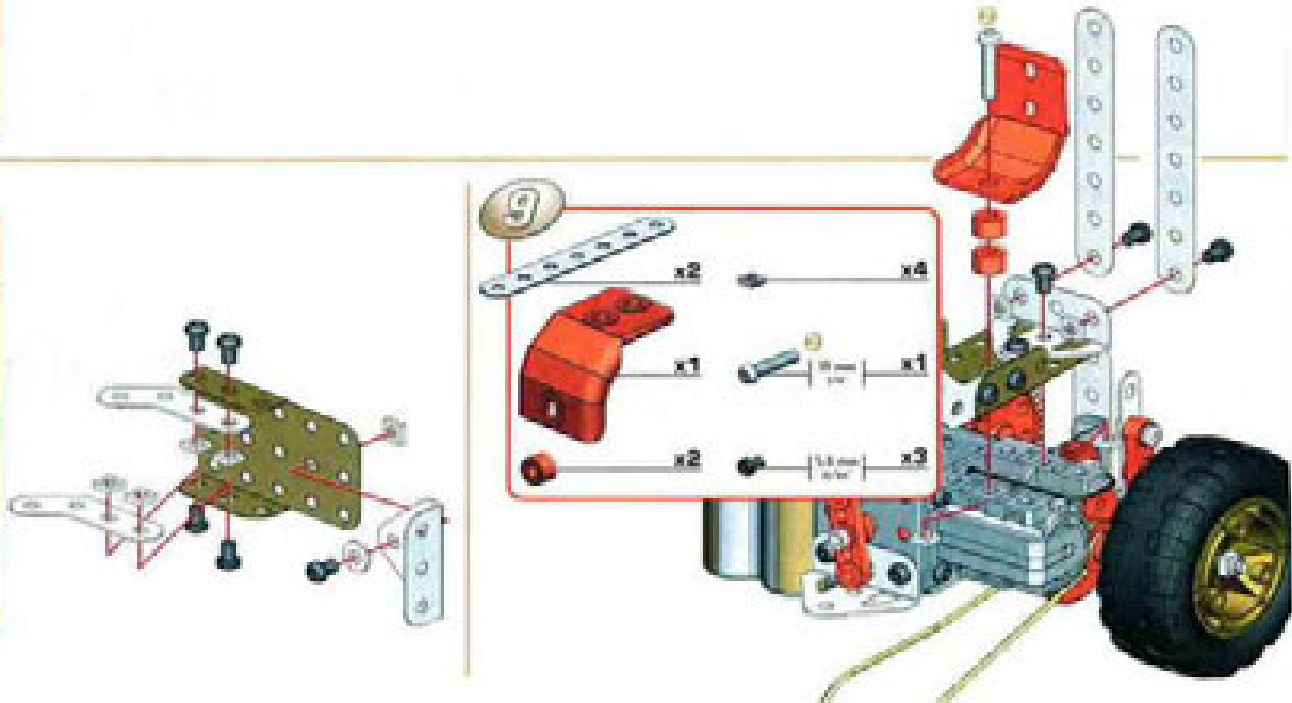
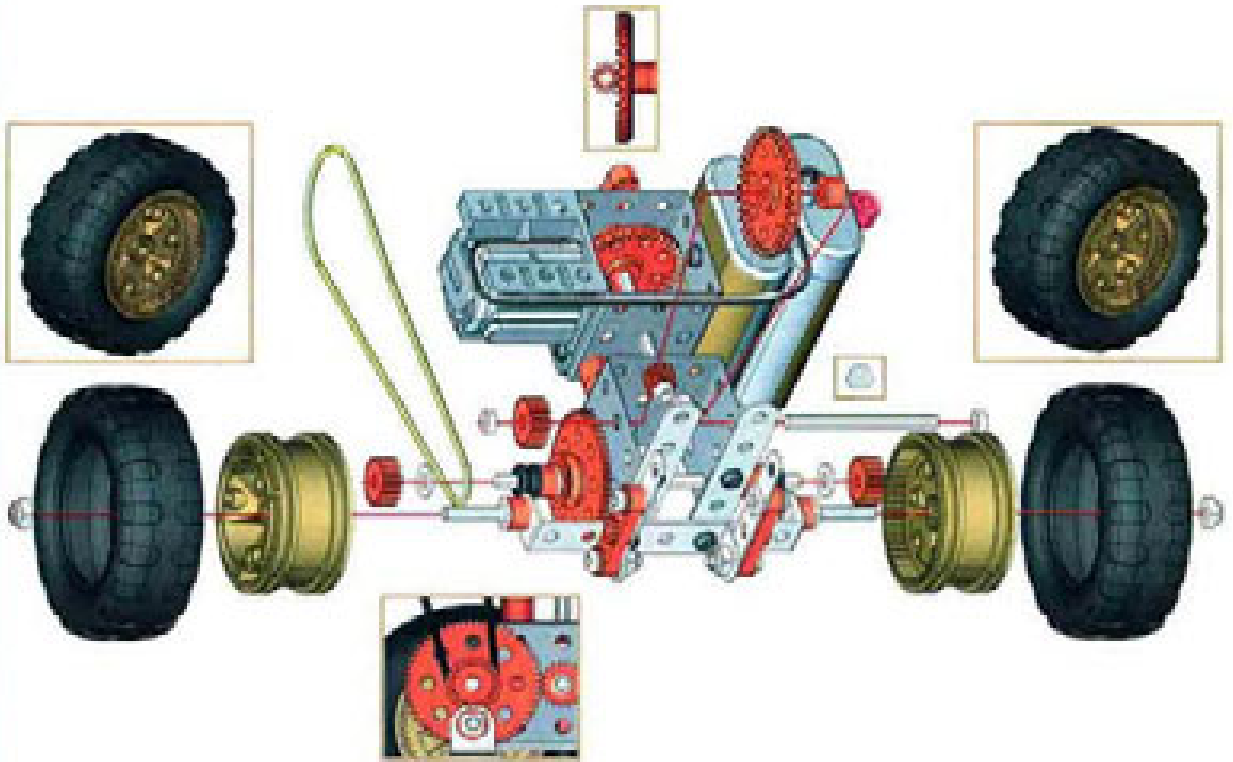
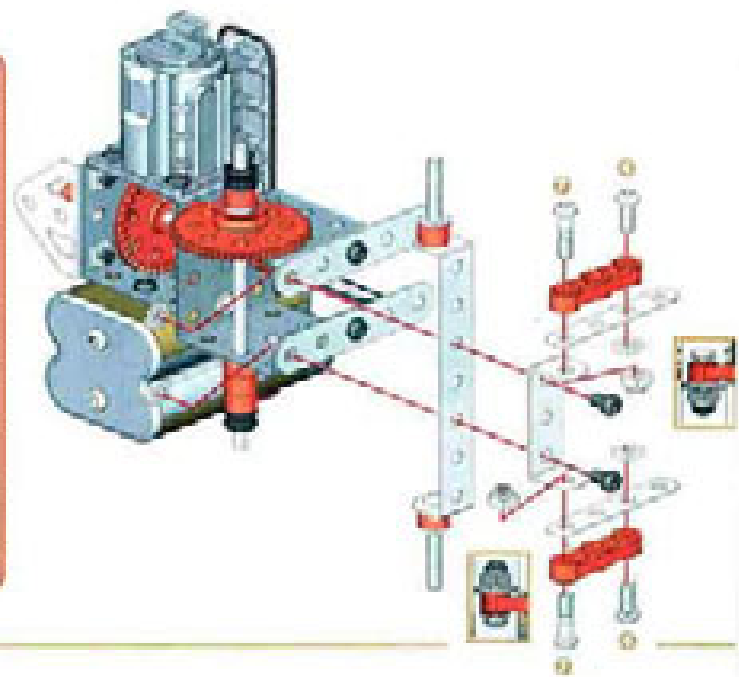
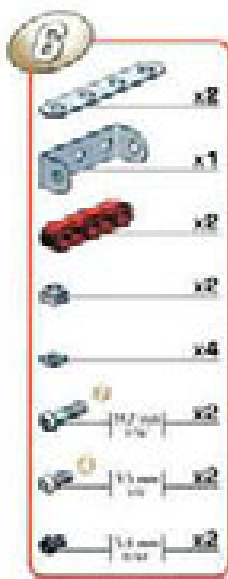
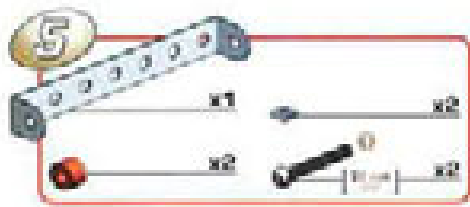


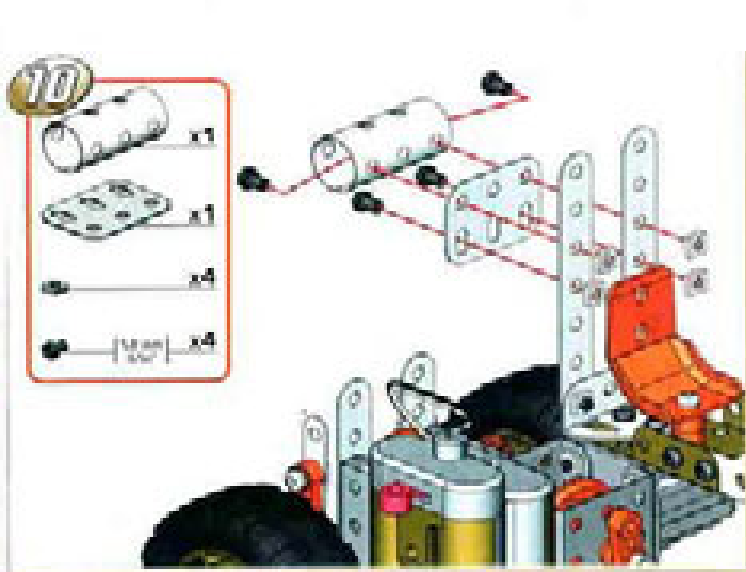
- 3**
- x1
 - x2
 - x1
 - x1
 - x1
 - x1
 - x1
 - x1
 - x2
 - x2
 - x2



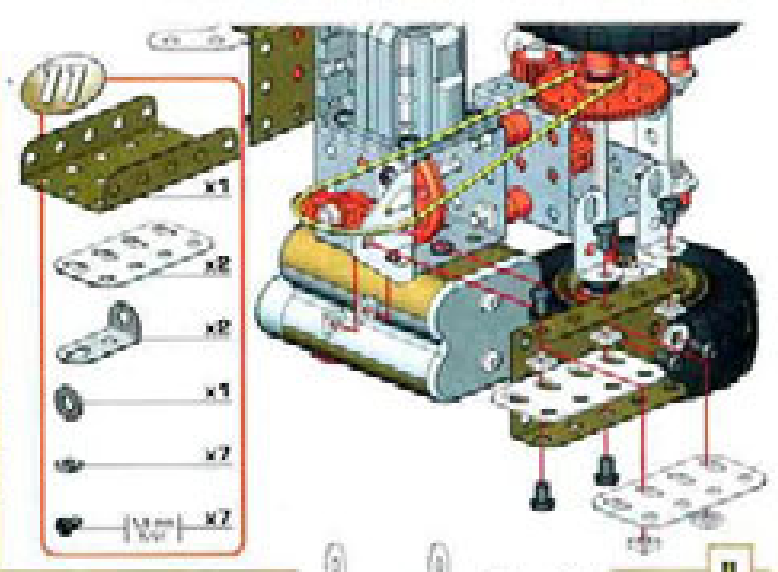
- 4**
- x1
 - x1
 - x1
 - x2
 - x4
 - x1



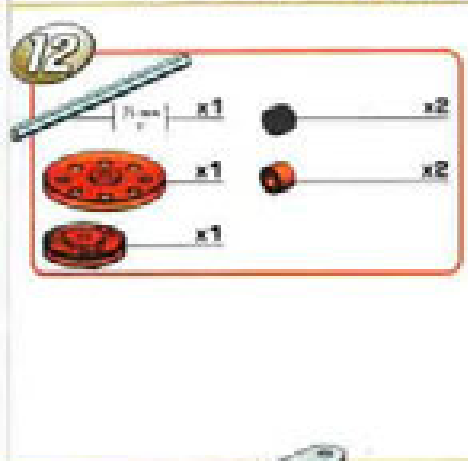




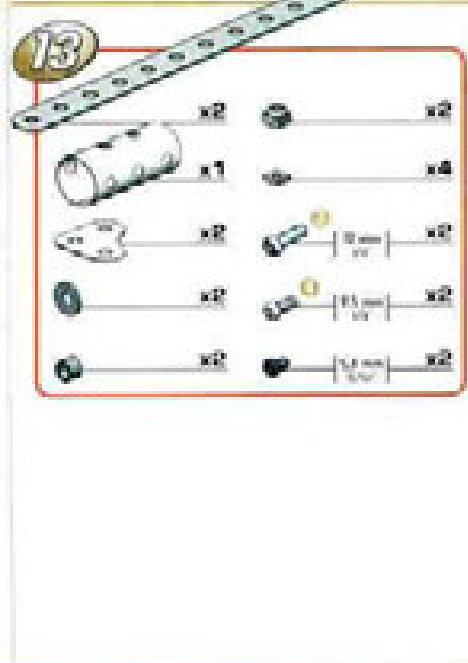
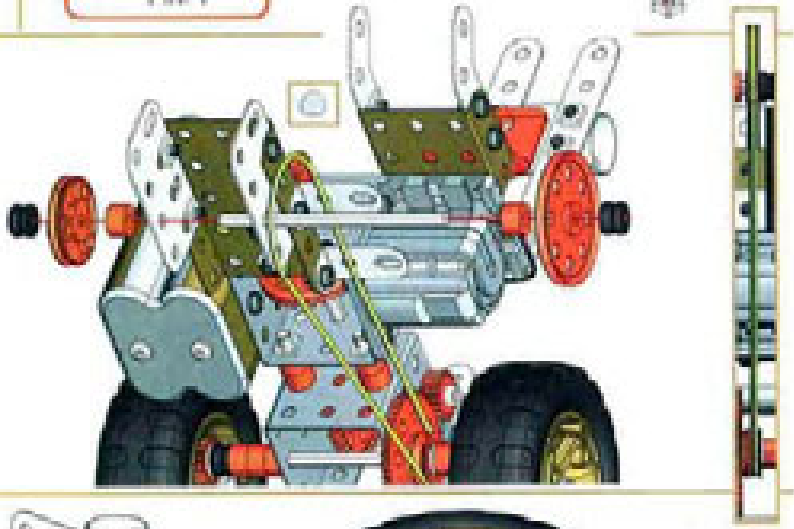
- x1
- x1
- x4
- x4



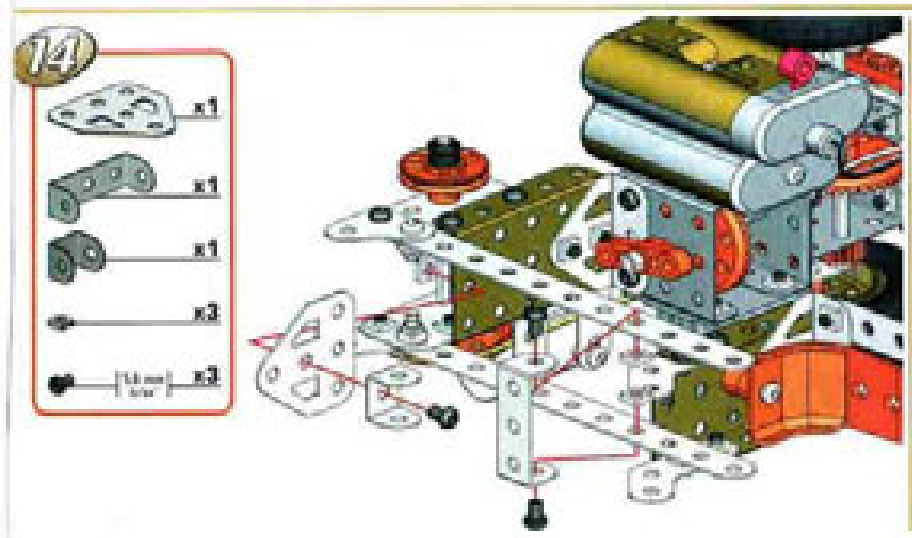
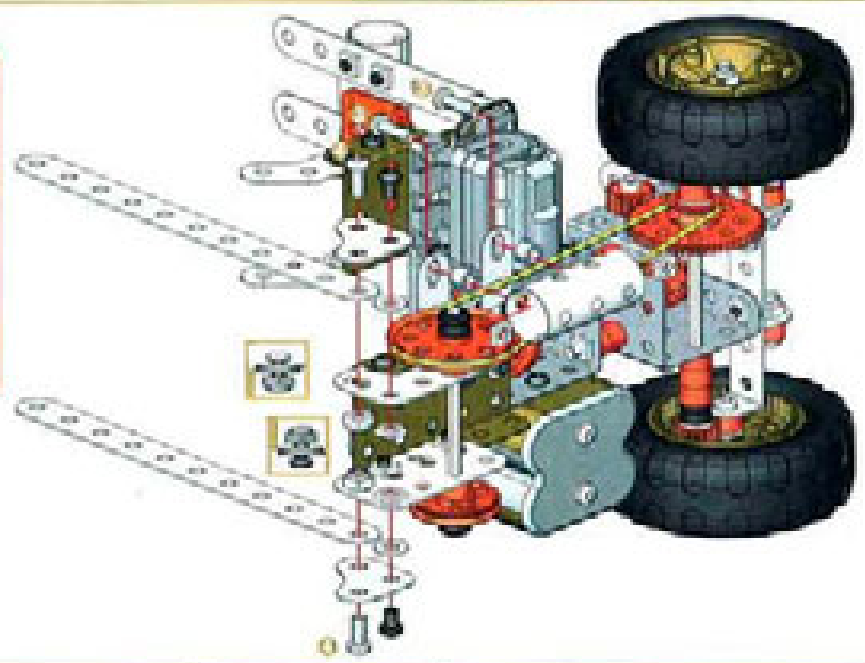
- x1
- x2
- x2
- x1
- x7
- x7



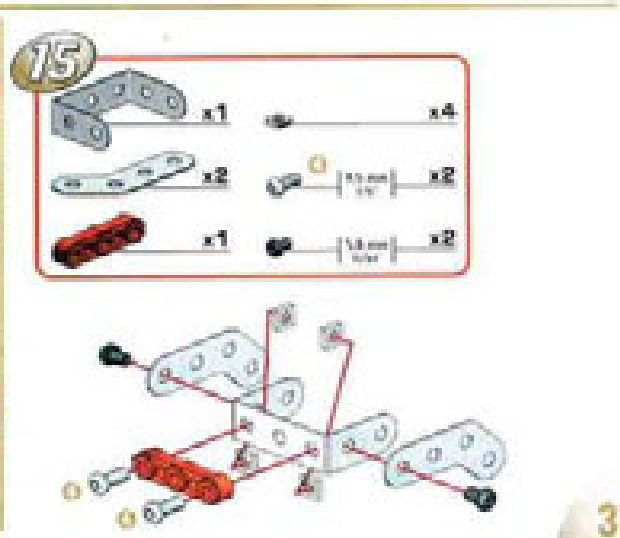
- x1
- x2
- x1
- x2
- x1











- x2
- x1
- x2
- x2
- x2
- x2
- x2
- x2
- x2
- x2
- x2













- x1
- x1
- x1
- x2
- x2


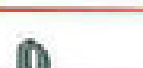












- x1
- x2
- x1
- x4
- x2
- x2











- 16**
- | | | | |
|--|----|---|----|
|  | x1 |  | x1 |
|  | x1 |  | x1 |
|  | x3 |  | x3 |
|  | x1 |  | x3 |

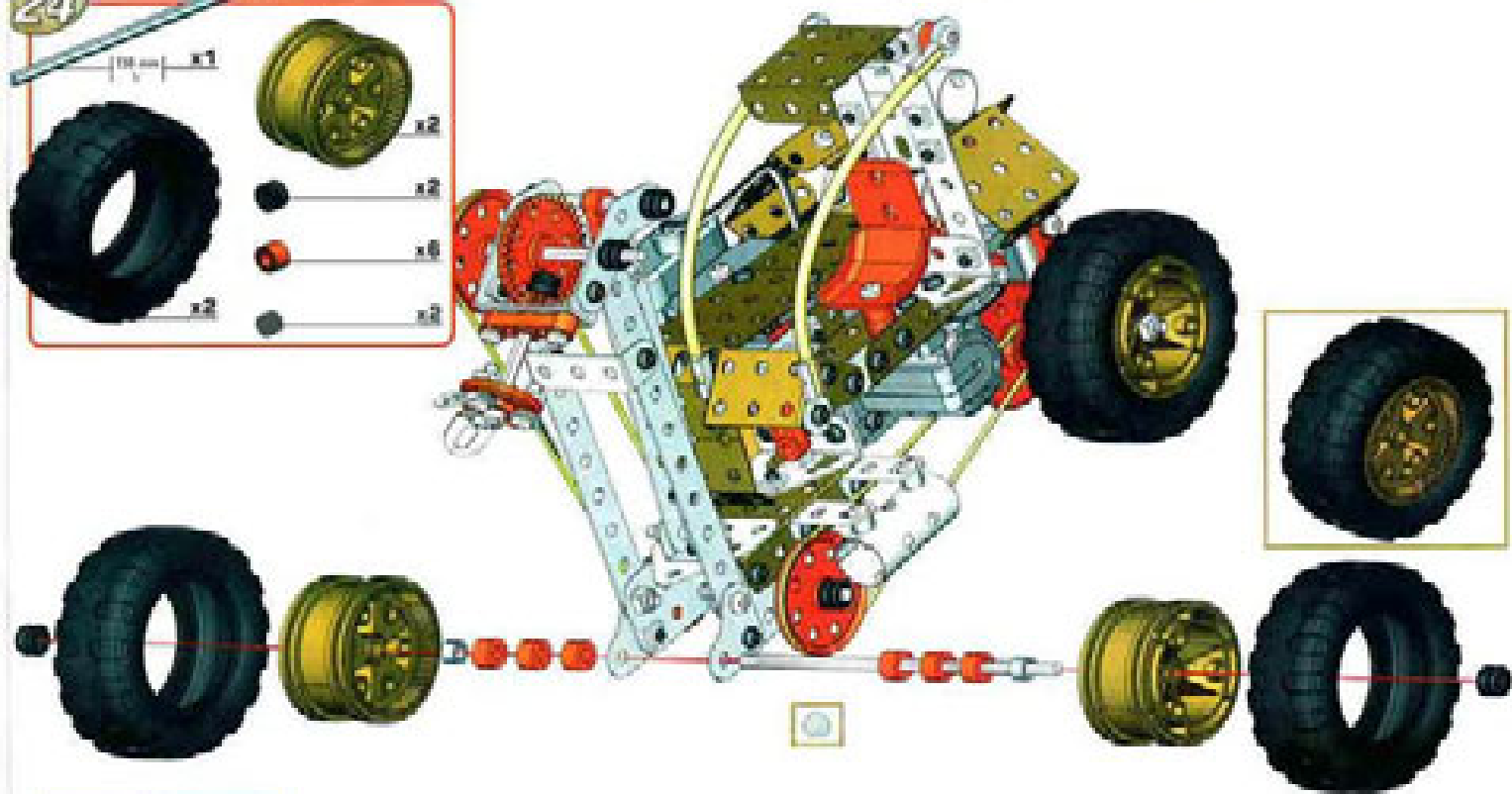
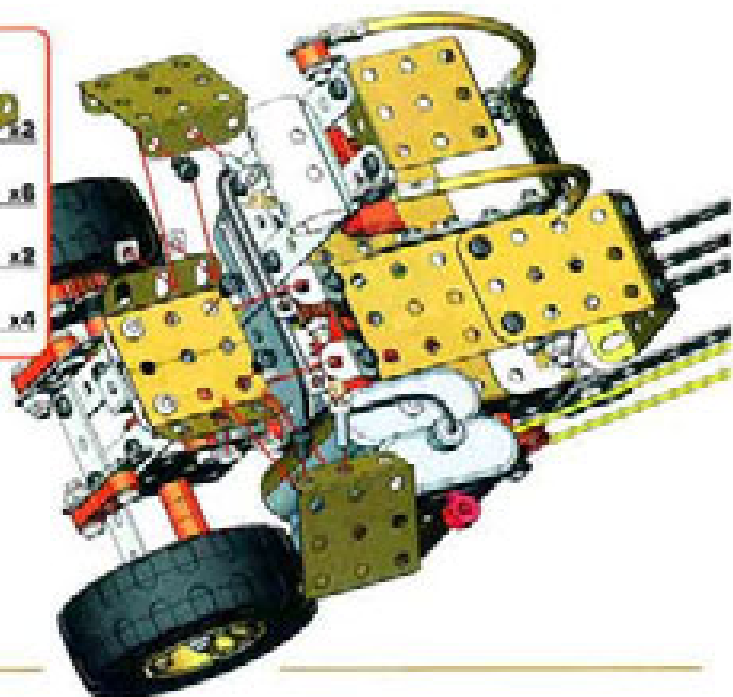
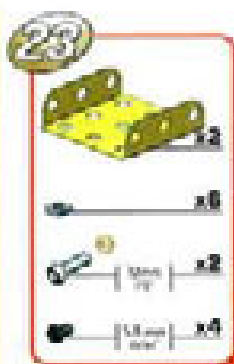
- 17**
- | | | | |
|---|----|---|----|
|  | x1 |  | x1 |
|  | x1 |  | x1 |
|  | x2 |  | x2 |

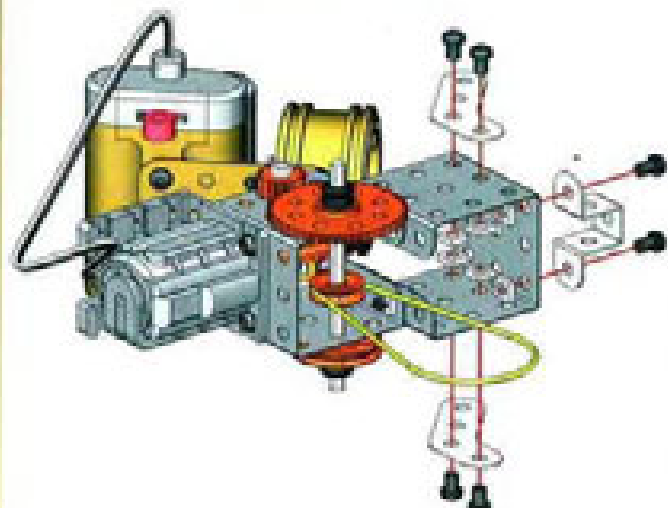
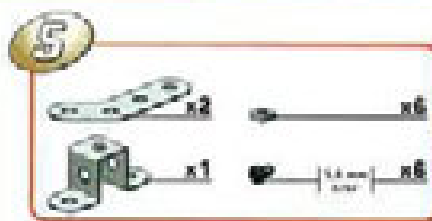
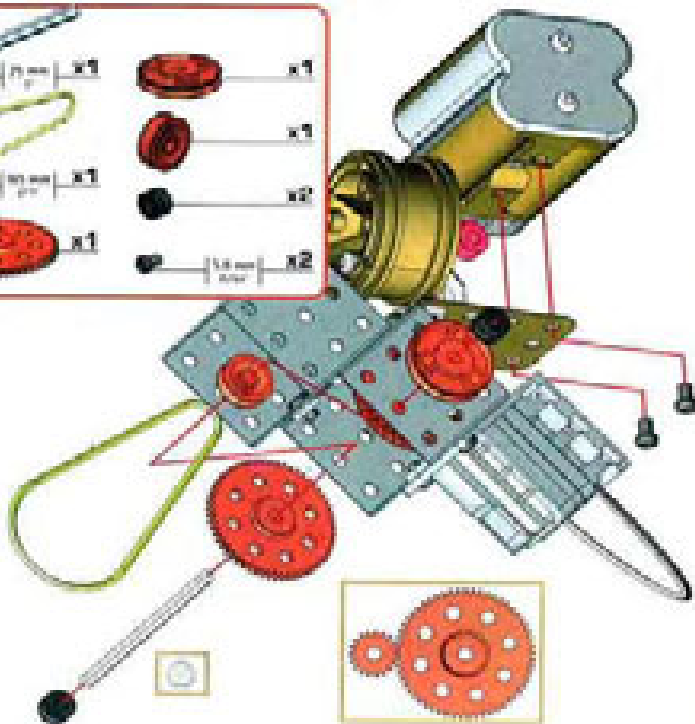
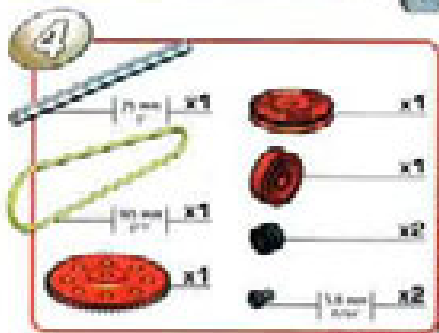
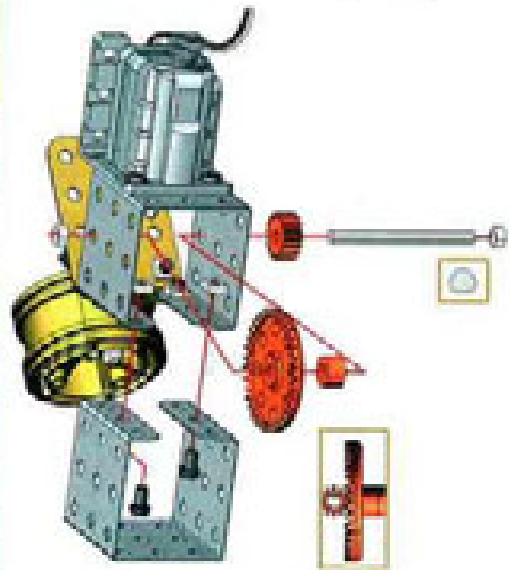
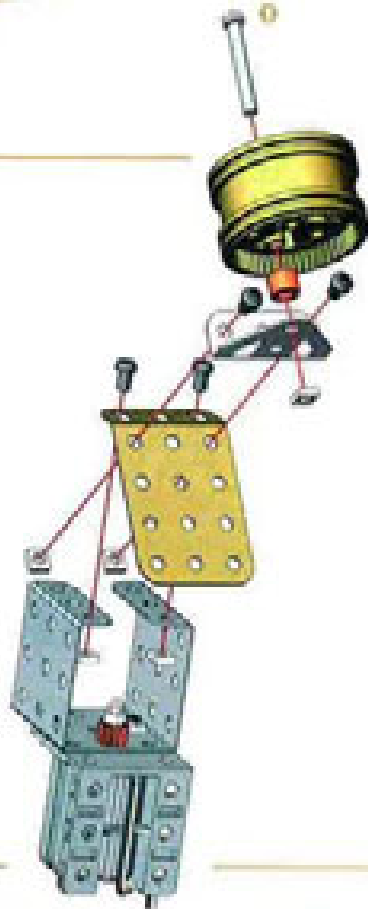
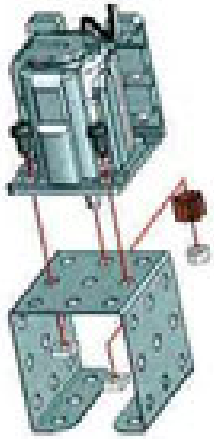
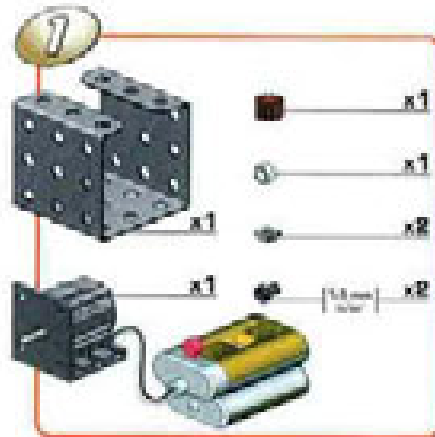
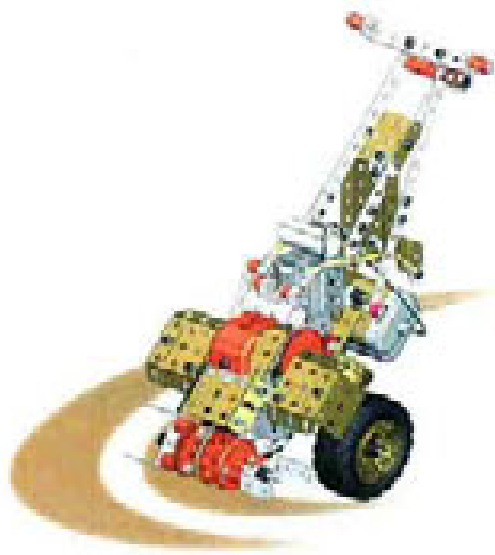
- 18**
- | | | | |
|---|----|--|----|
|  | x2 |  | x2 |
|  | x1 |  | x1 |
|  | x1 |  | x2 |
|  | x1 |  | x1 |
|  | x1 |  | x2 |

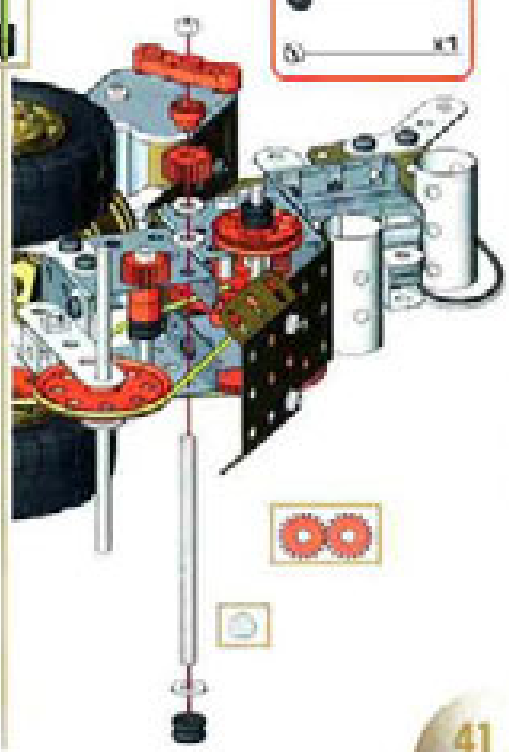
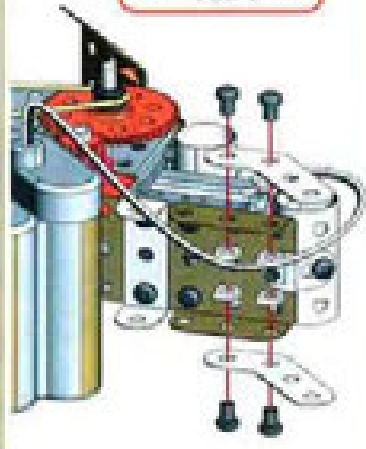
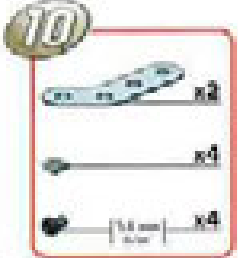
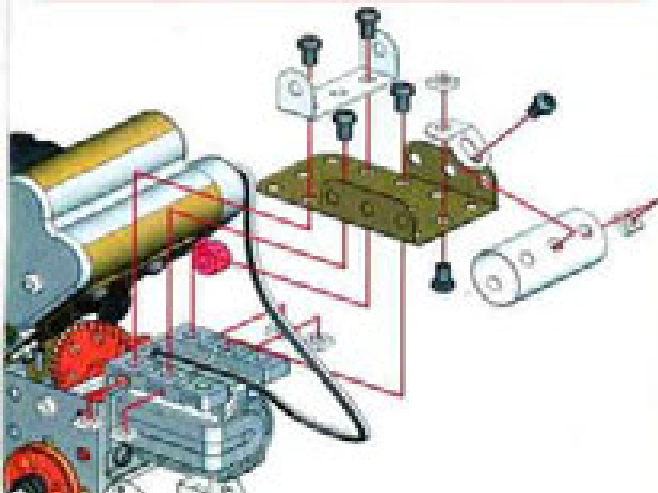
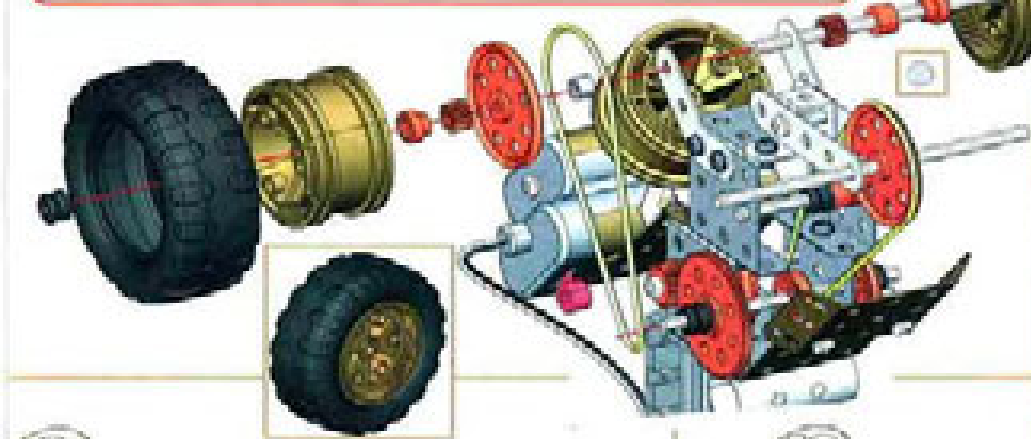
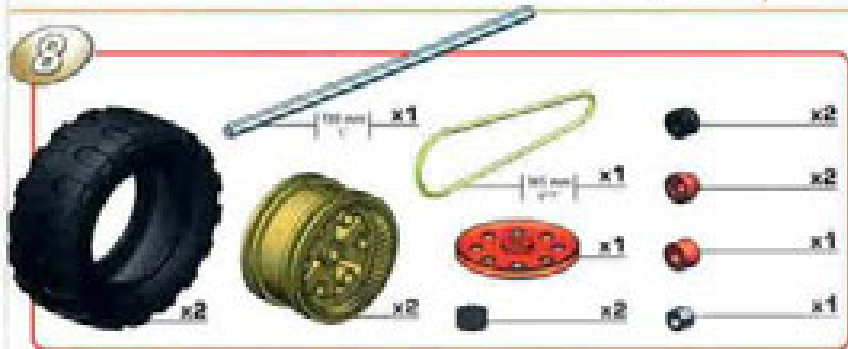
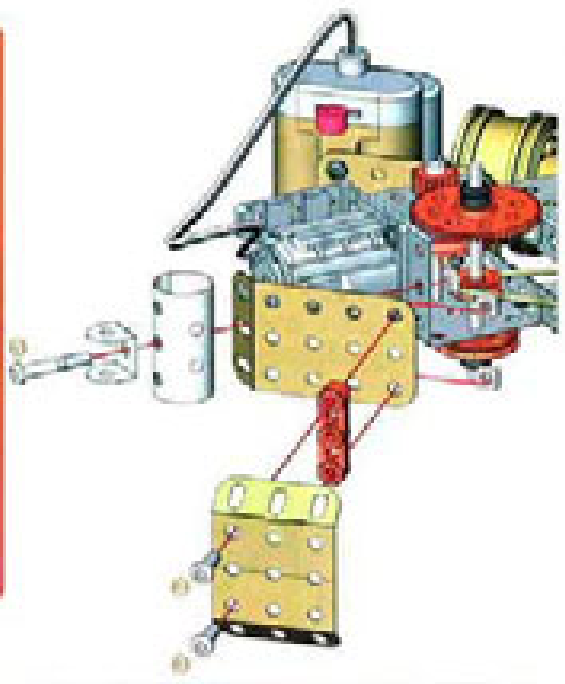
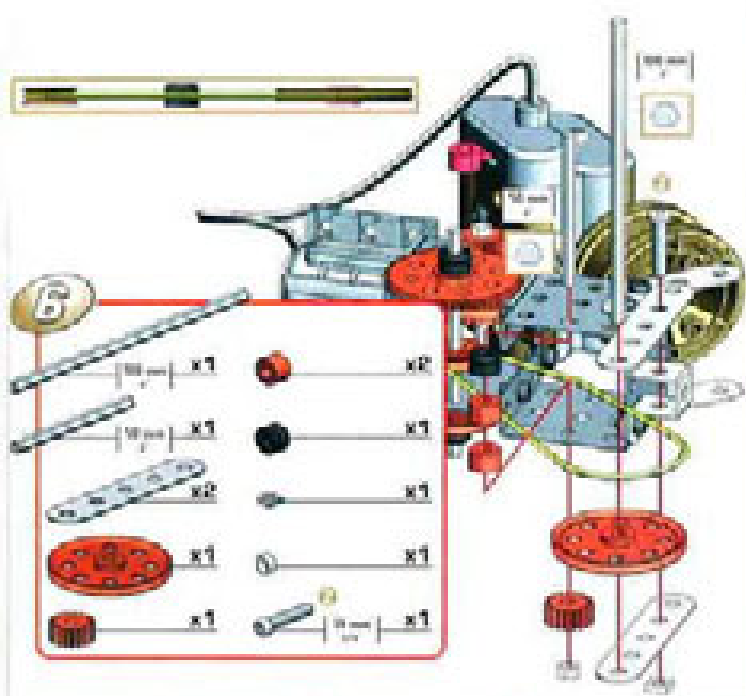
- 19**
- | | | | |
|--|----|---|----|
|  | x1 |  | x2 |
|  | x1 |  | x6 |
|  | x1 |  | x6 |

- 20**
- | | | | |
|---|----|---|----|
|  | x2 |  | x4 |
|  | x4 |  | x1 |
|  | x1 |  | x2 |

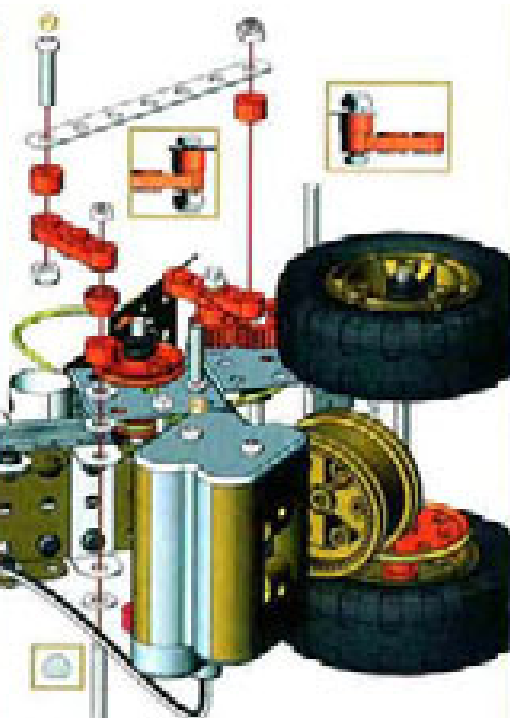
- 21**
- | | | | |
|--|----|---|----|
|  | x1 |  | x1 |
|  | x1 |  | x4 |
|  | x2 |  | x1 |
|  | x2 |  | x2 |
|  | x2 |  | x2 |



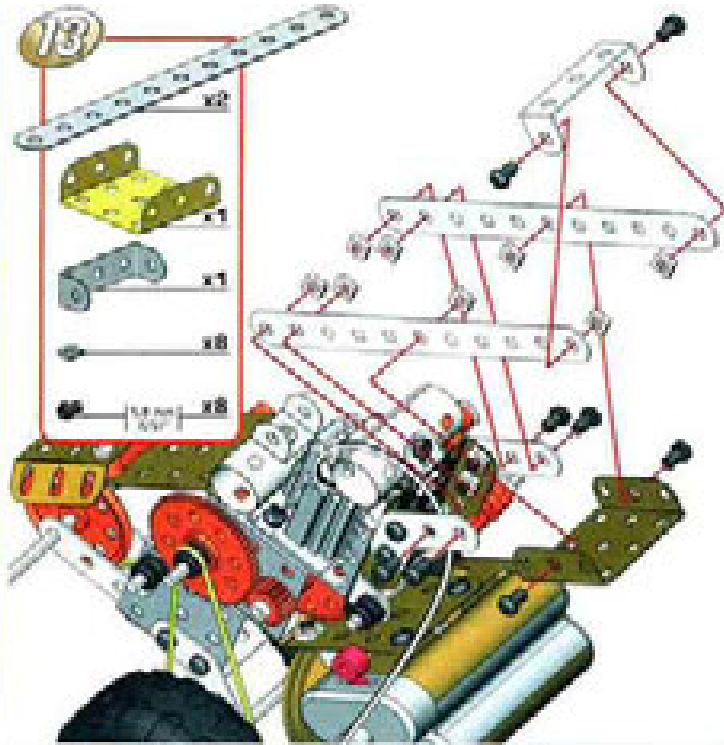




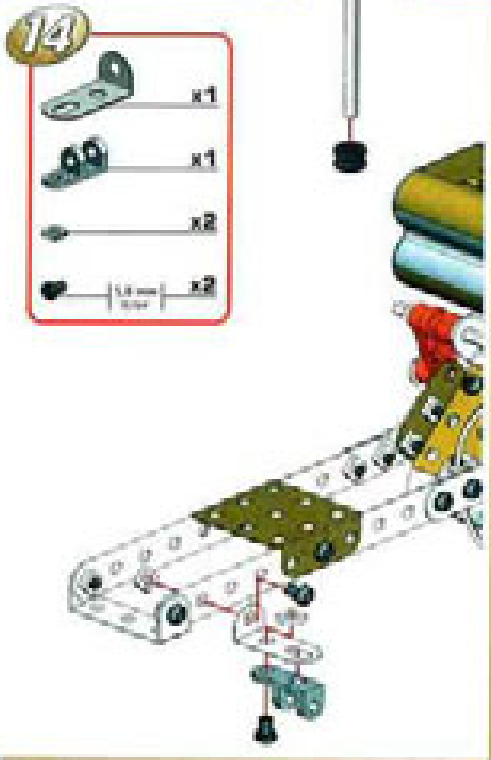
- 12**
- x1
 - x1
 - x1
 - x1
 - x1
 - x3
 - x3
 - x2
 - x1
 - x2



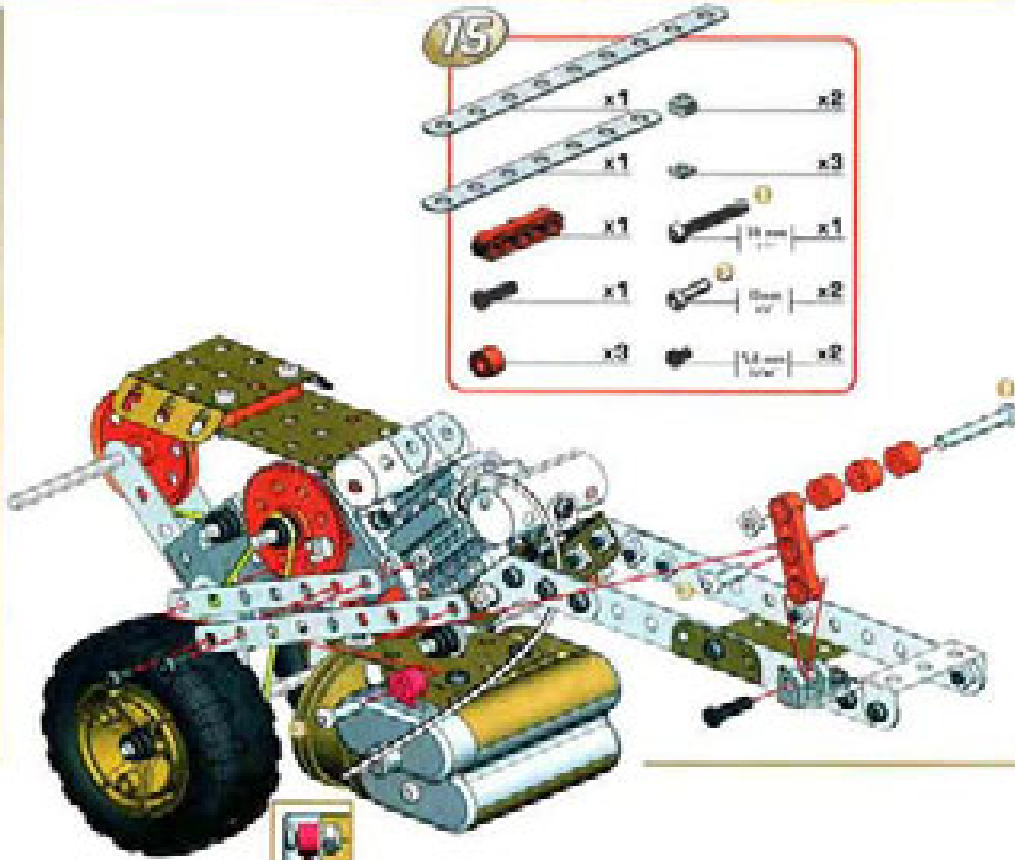
- 13**
- x2
 - x1
 - x1
 - x8
 - x8



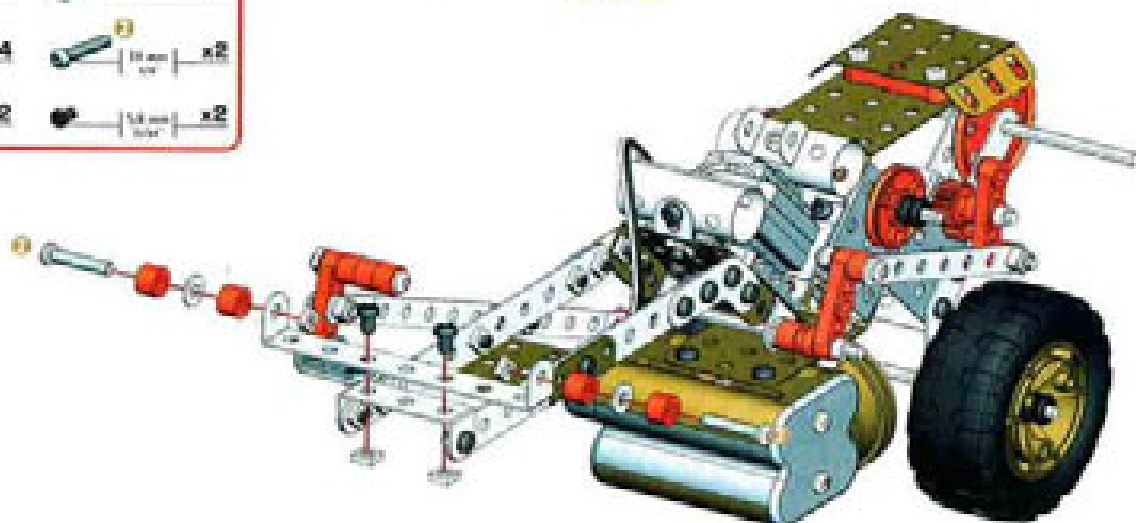
- 14**
- x1
 - x1
 - x2
 - x2





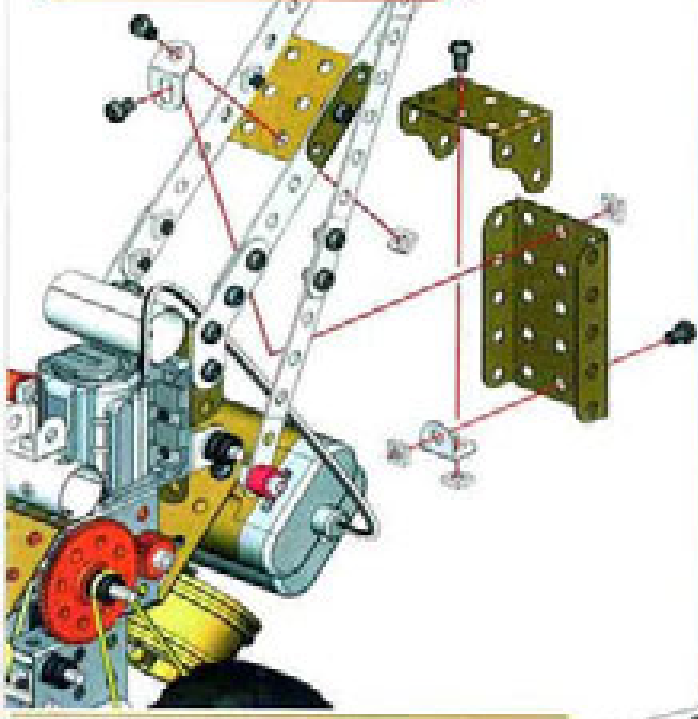
- 15**
- x1
 - x1
 - x1
 - x1
 - x1
 - x3
 - x3
 - x1
 - x2
 - x2



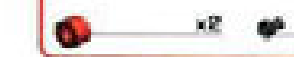































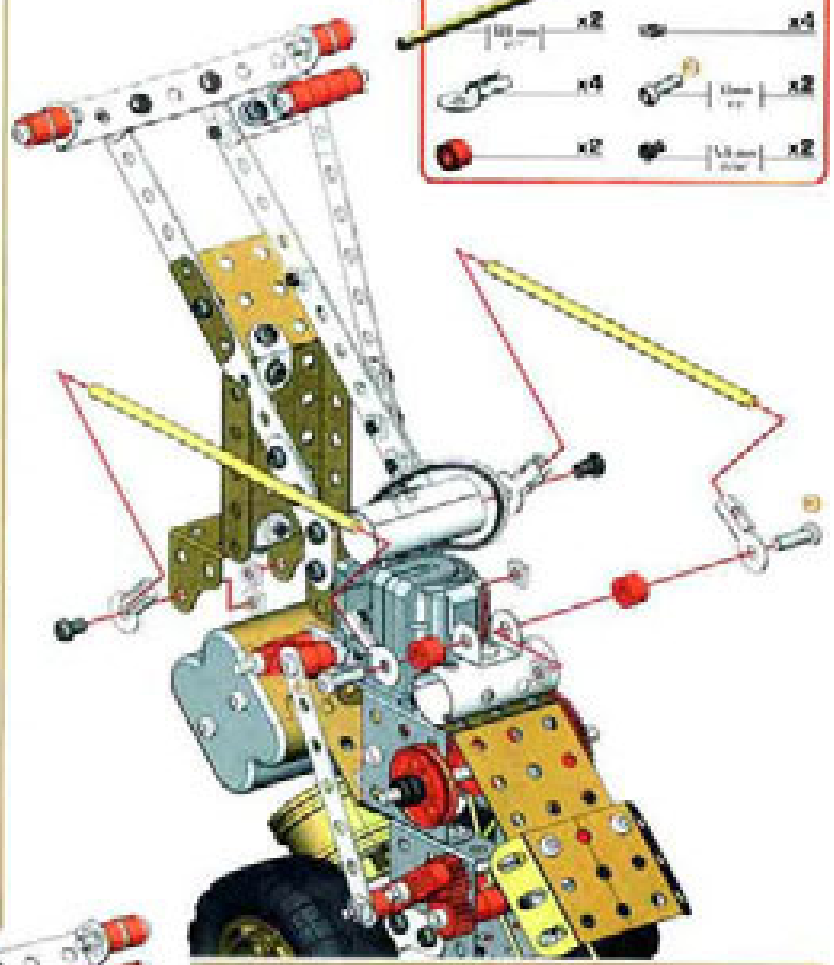
- 16**
- x1
 - x4
 - x4
 - x2
 - x2
 - x2
















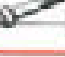







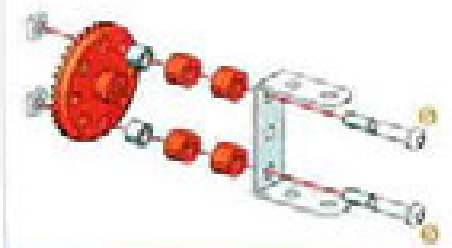
- 17
-  x1
 -  x1
 -  x1
 -  x1
 -  x1
 -  x1
 -  x1
 -  x1
 -  x1
 -  x1
 -  x1
 -  x1
 -  x1
 -  x1
 -  x1
 -  x1
 -  x1
 -  x1
 -  x1
 -  x1
 -  x1
 -  x1
 -  x1
 -  x1
 -  x1
 -  x1
 -  x1
 -  x1




















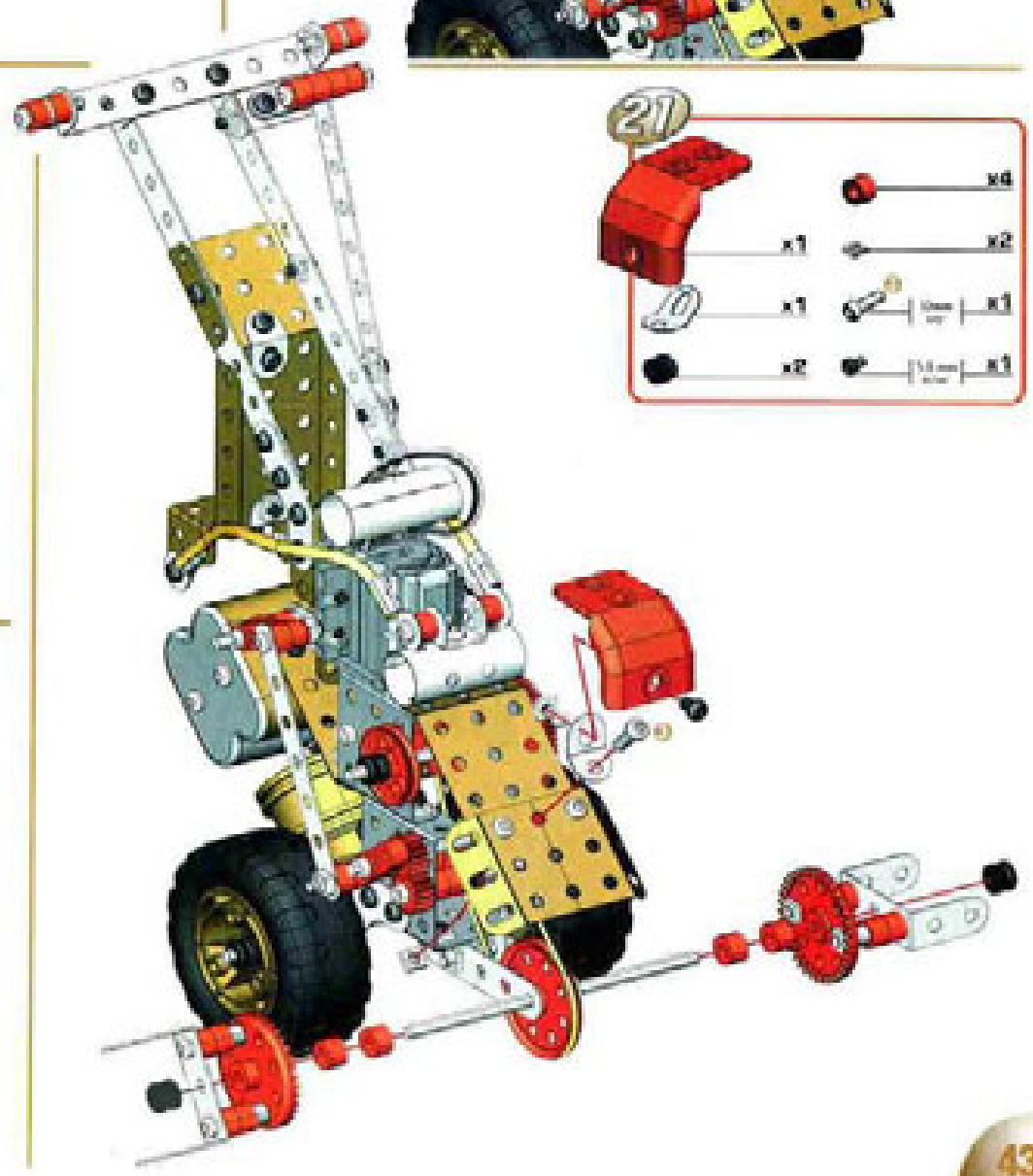
- 18
-  x2
 -  x4
 -  x2
 -  x2
 -  x4
 -  x2
 -  x2
 -  x2
 -  x2
 -  x2
 -  x2
 -  x2
 -  x2
 -  x2
 -  x2
 -  x2
 -  x2
 -  x2
 -  x2
 -  x2
 -  x2
 -  x2
 -  x2
 -  x2
 -  x2
 -  x2
 -  x2
 -  x2
 -  x2
 -  x2
 -  x2
 -  x2



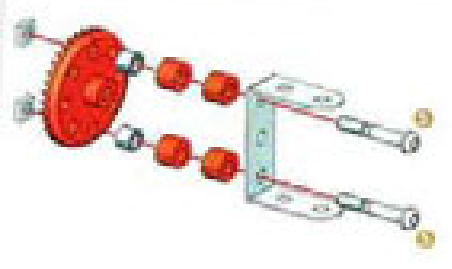
- 19
-  x1
 -  x1
 -  x1
 -  x4
 -  x2
 -  x2
 -  x2
 -  x2
 -  x2
 -  x2
 -  x2
 -  x2
 -  x2
 -  x2
 -  x2
 -  x2
 -  x2
 -  x2
 -  x2
 -  x2
 -  x2

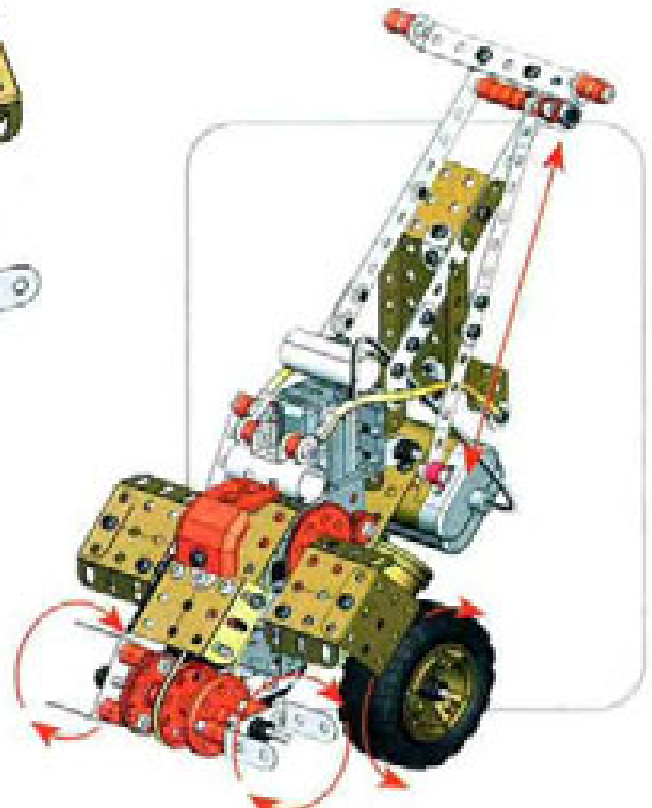
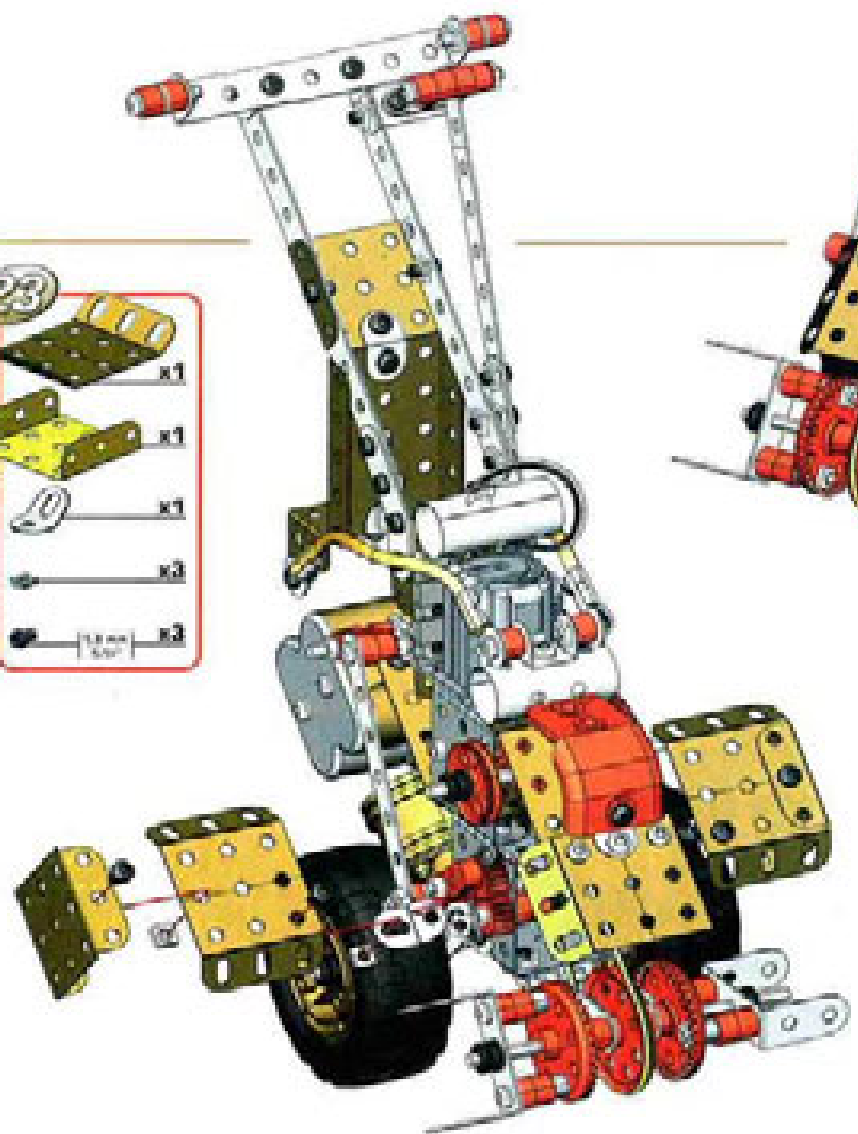
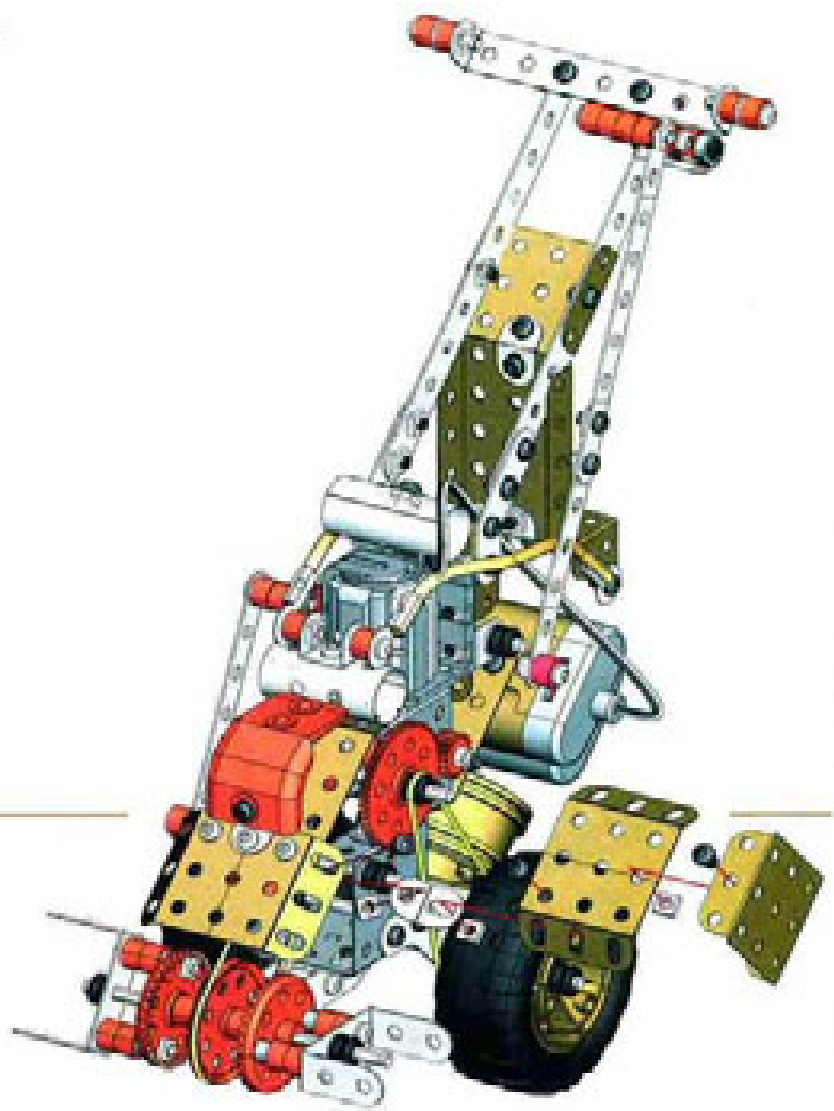
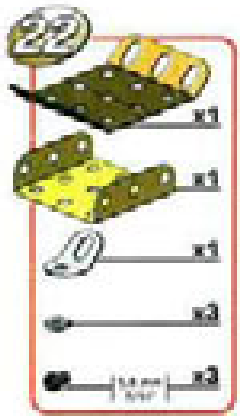


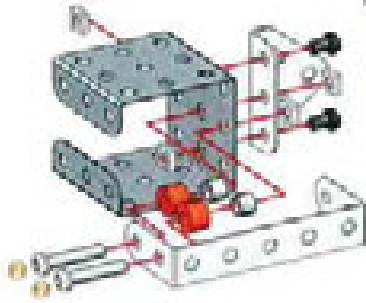
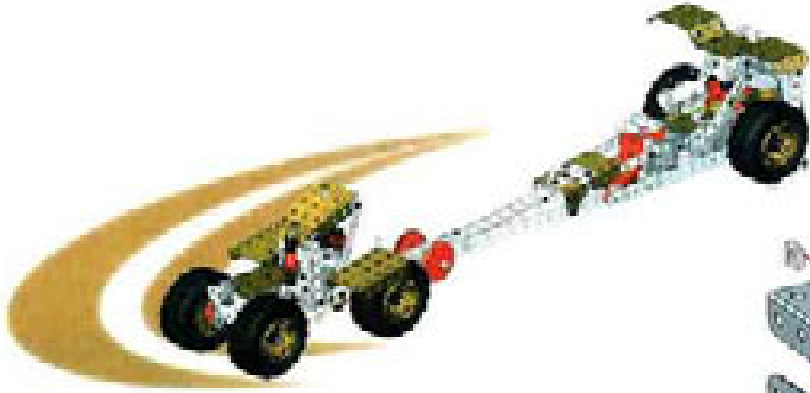
- 21
-  x1
 -  x1
 -  x1
 -  x2
 -  x4
 -  x2
 -  x2
 -  x1
 -  x1
 -  x2
 -  x2
 -  x2
 -  x2
 -  x2
 -  x2
 -  x2
 -  x2



- 20
-  x1
 -  x1
 -  x4
 -  x2
 -  x2
 -  x2
 -  x2
 -  x2
 -  x2
 -  x2
 -  x2





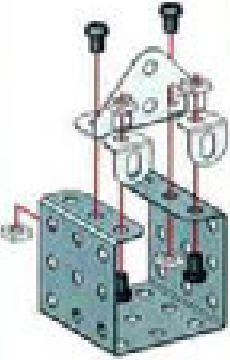


7

- Black 3-hole Technic brick: x1
- Red Technic pin: x2
- Black Technic pin: x2
- Grey Technic axle: x4
- Grey Technic axle with stop: x2
- Black Technic axle with stop: x2
- Grey Technic L-shaped Technic beam: x1
- Black Technic L-shaped Technic beam: x1

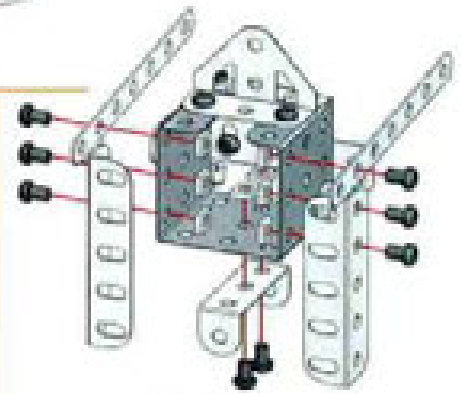
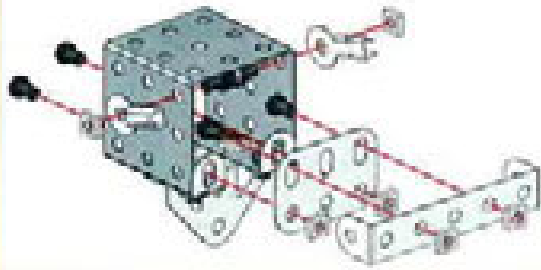
2

- Black 3-hole Technic brick: x1
- Black Technic L-shaped Technic beam: x1
- Black Technic pin: x2
- Grey Technic axle: x4
- Black Technic axle with stop: x4



3

- Grey Technic L-shaped Technic beam: x1
- Black Technic plate: x1
- Black Technic pin: x2
- Black Technic axle: x8
- Black Technic axle with stop: x8

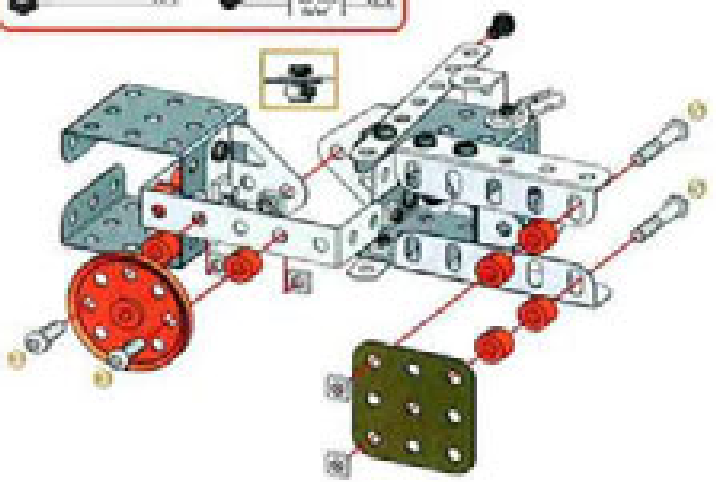


4

- Grey Technic axle: x2
- Black Technic axle with stop: x2
- Black Technic axle with stop: x1
- Black Technic axle with stop: x8
- Black Technic axle with stop: x8

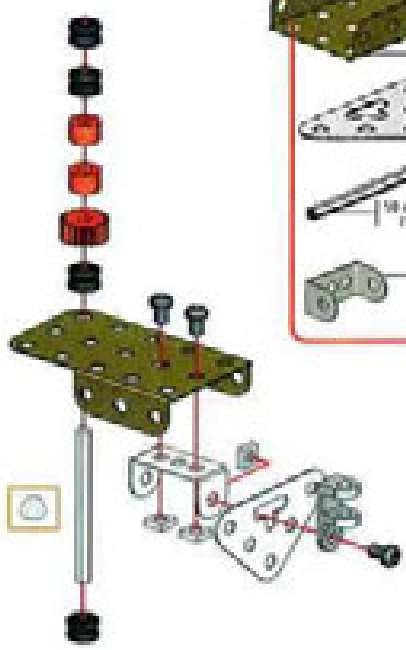
5

- Black Technic plate: x1
- Red Technic wheel: x1
- Red Technic pin: x8
- Black Technic pin: x1
- Black Technic axle: x4
- Black Technic axle with stop: x2
- Black Technic axle with stop: x2
- Black Technic axle with stop: x1

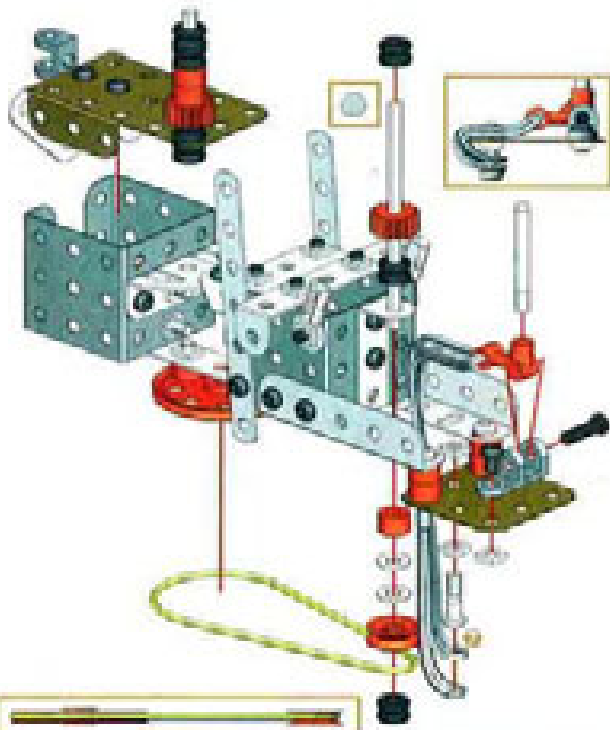


6

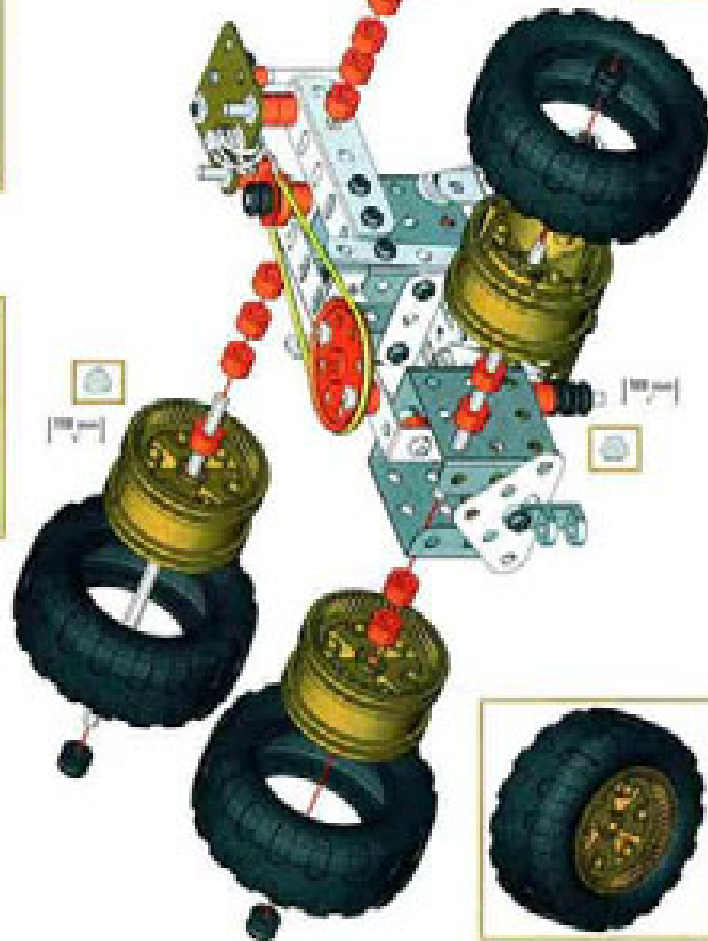
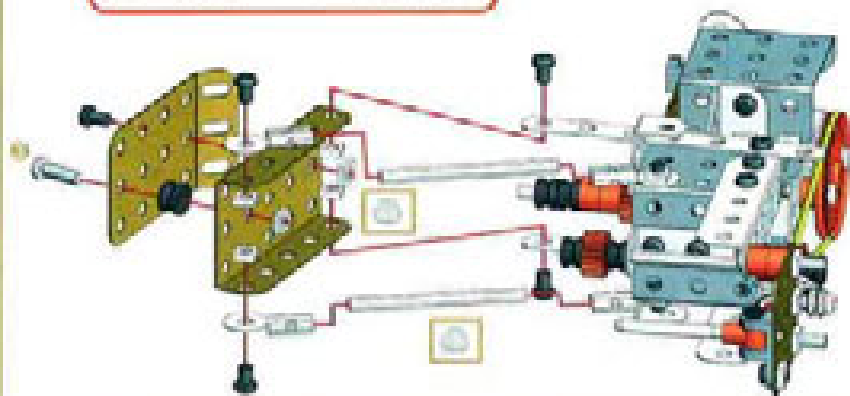
- Black Technic plate: x1
- Black Technic plate: x1
- Black Technic pin: x1
- Red Technic pin: x1
- Black Technic pin: x4
- Red Technic pin: x2
- Black Technic axle: x3
- Black Technic axle with stop: x3
- Black Technic axle with stop: x1
- Black Technic axle with stop: x1



- 7**
- | | | | |
|--|----|--|----|
| | x1 | | x1 |
| | x1 | | x1 |
| | x1 | | x3 |
| | x1 | | x1 |
| | x1 | | x2 |
| | x1 | | x3 |
| | x1 | | x1 |
| | x1 | | x1 |



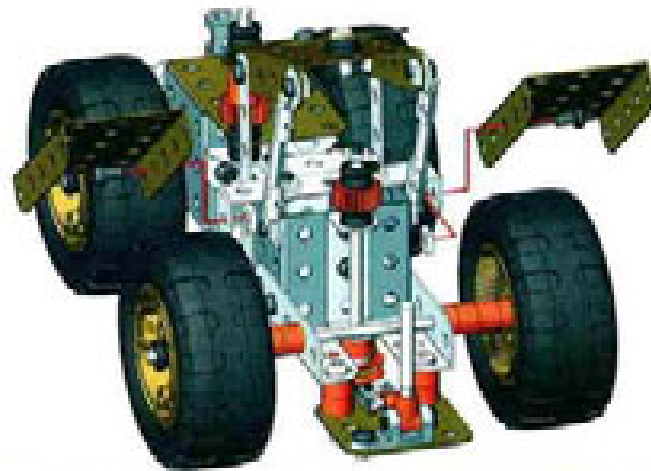
- 8**
- | | | | |
|--|----|--|----|
| | x1 | | x2 |
| | x1 | | x1 |
| | x2 | | x6 |
| | x1 | | x1 |
| | x1 | | x8 |













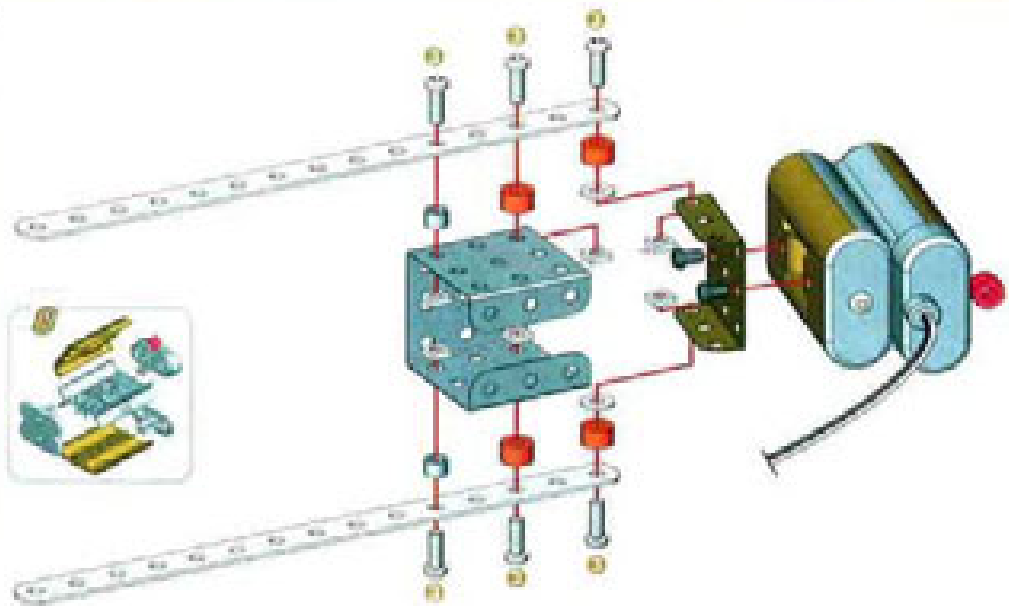
- 9**
- | | |
|--|-----|
| | x1 |
| | x1 |
| | x4 |
| | x4 |
| | x4 |
| | x12 |









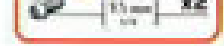


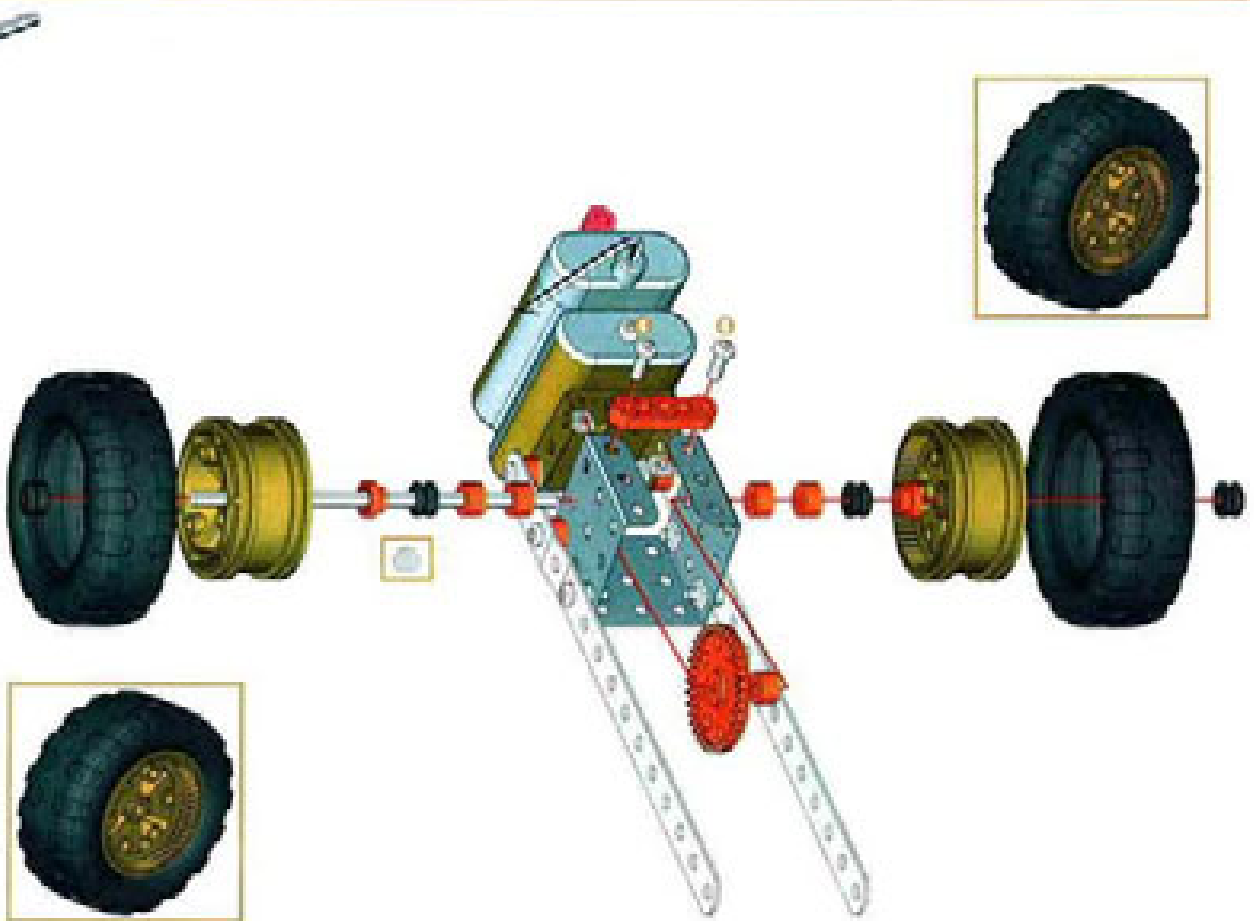
- 10
-  x2
 -  x2
 -  x2




- 11
-  x2
 -  x4
 -  x2
 -  x2
 -  x6
 -  x1
 -  x1
 -  x1
 -  x8
 -  x2

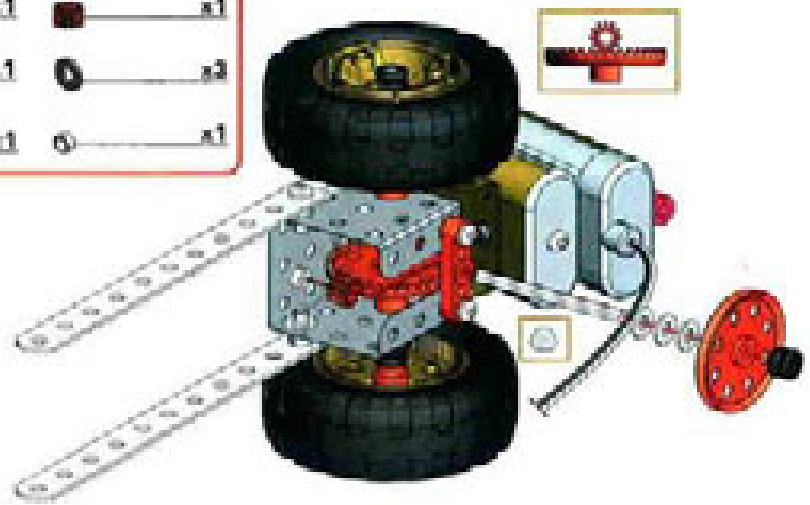


- 12
-  x1
 -  x2
 -  x2
 -  x1
 -  x1
 -  x2
 -  x4
 -  x3
 -  x2
 -  x2



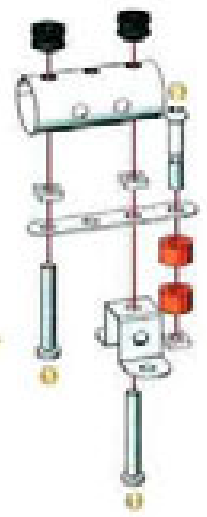
13

-  x1
-  x1
-  x1
-  x2
-  x1
-  x1




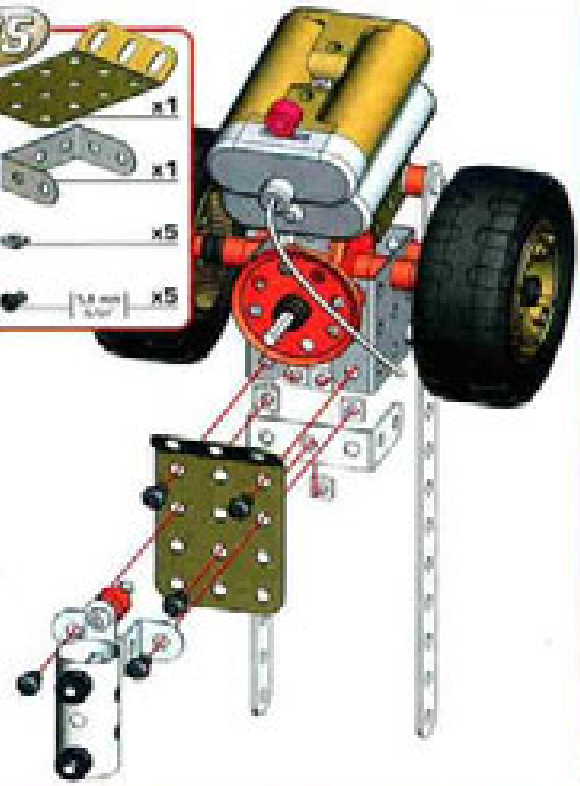
14

-  x1
-  x2
-  x1
-  x2
-  x1
-  x2
-  x2
-  x1



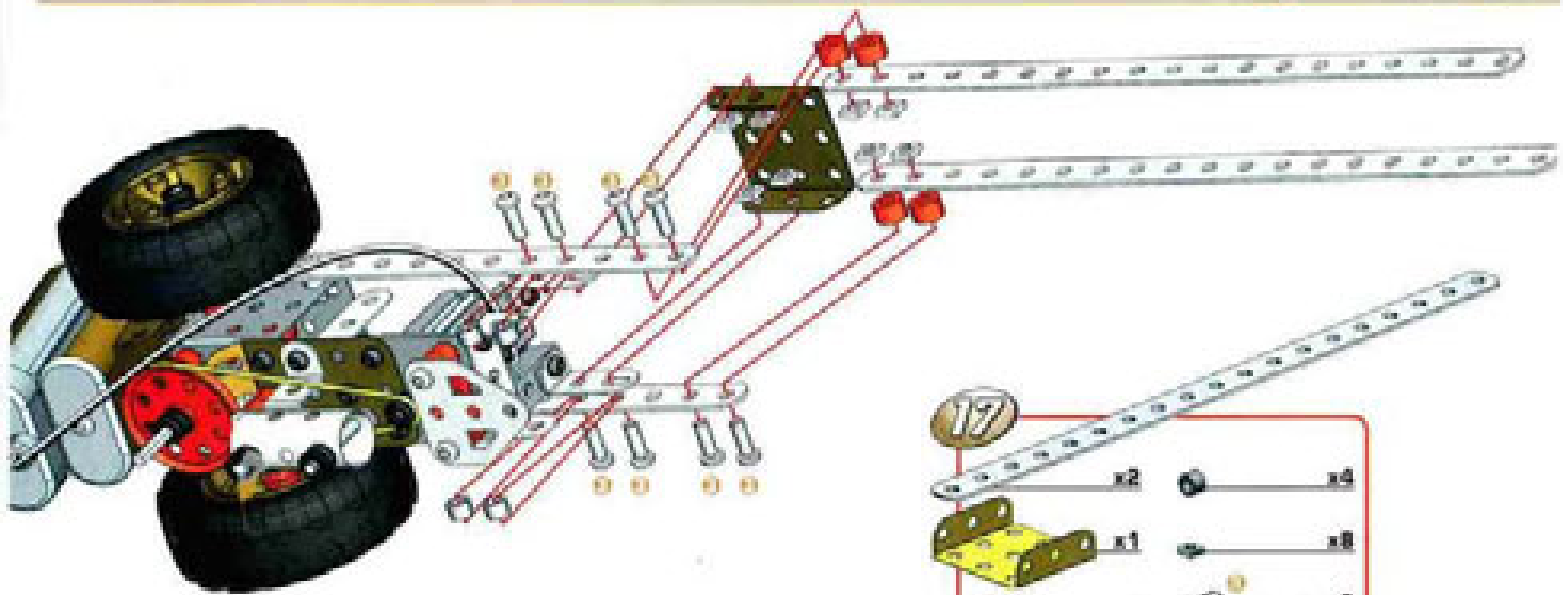
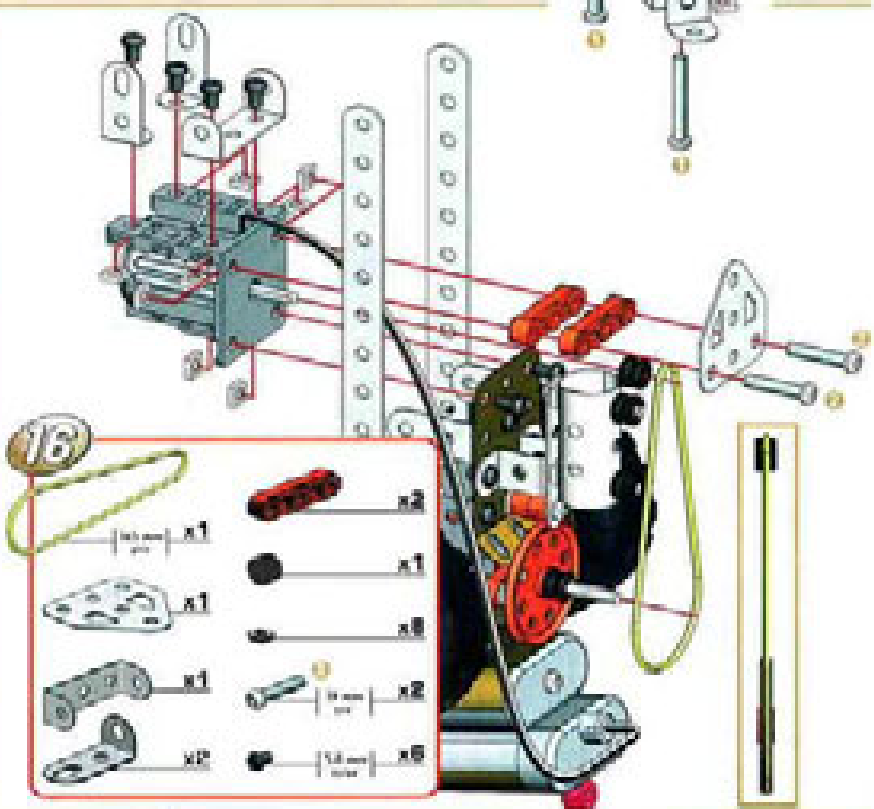
15

-  x1
-  x1
-  x5
-  x5



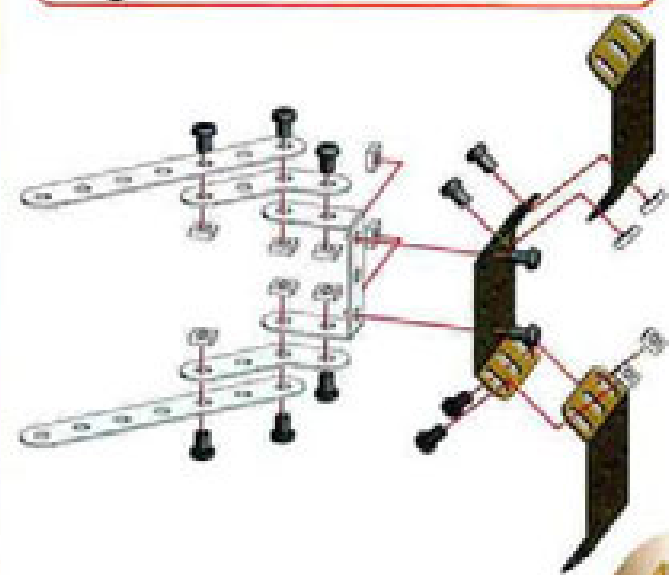
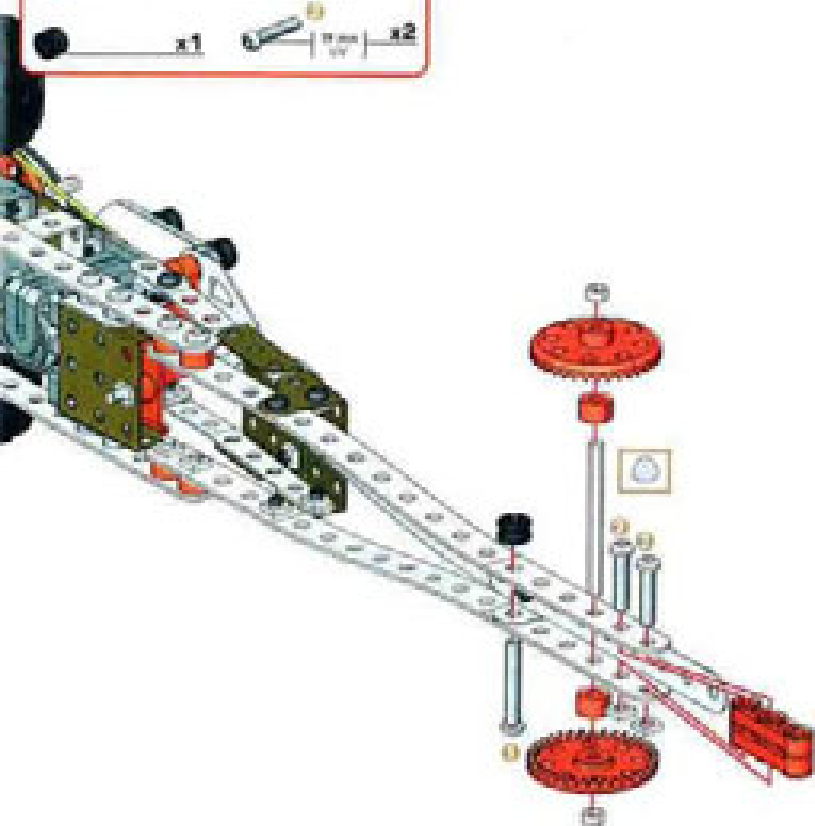
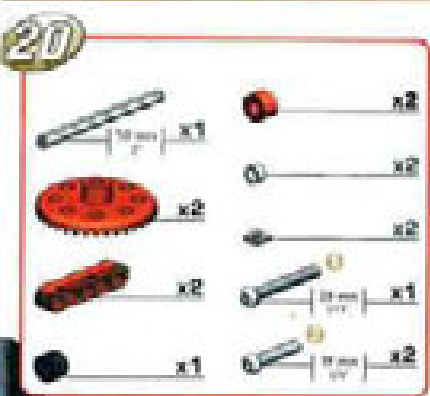
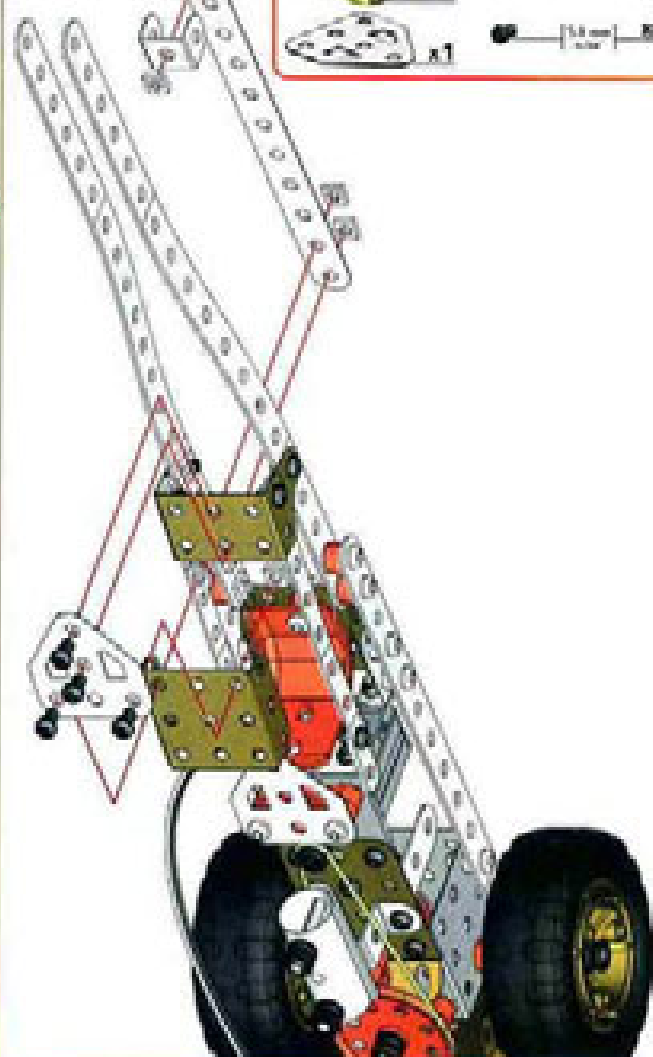
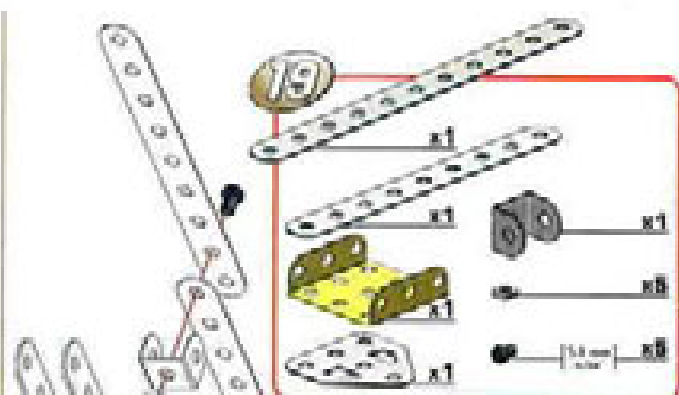
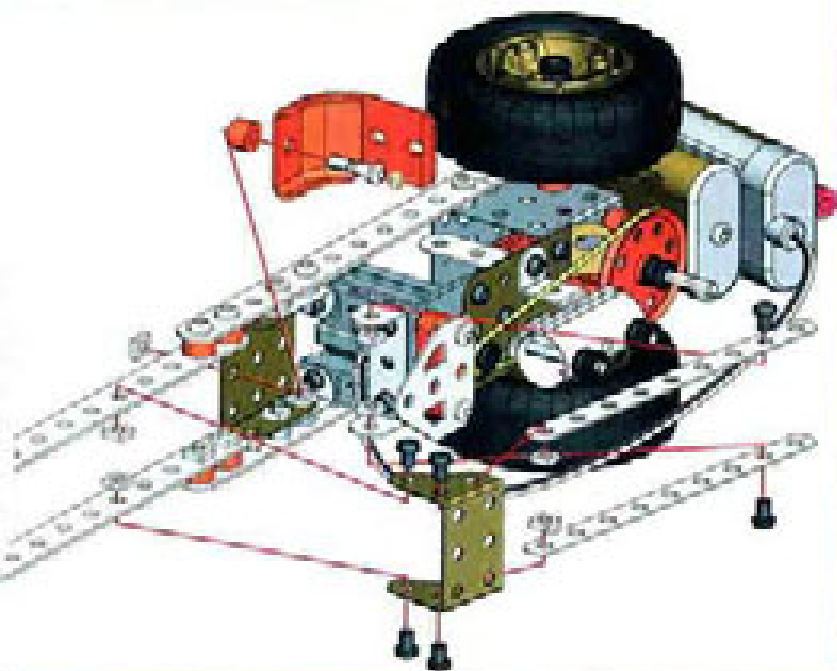
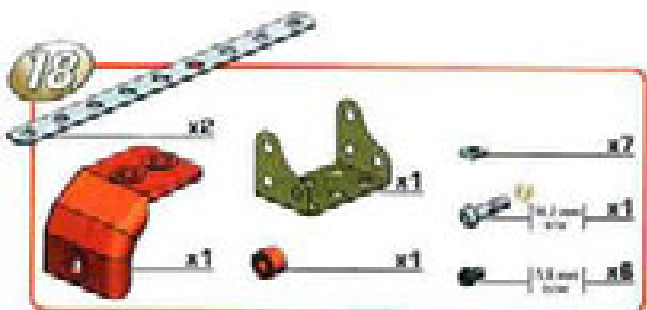
16

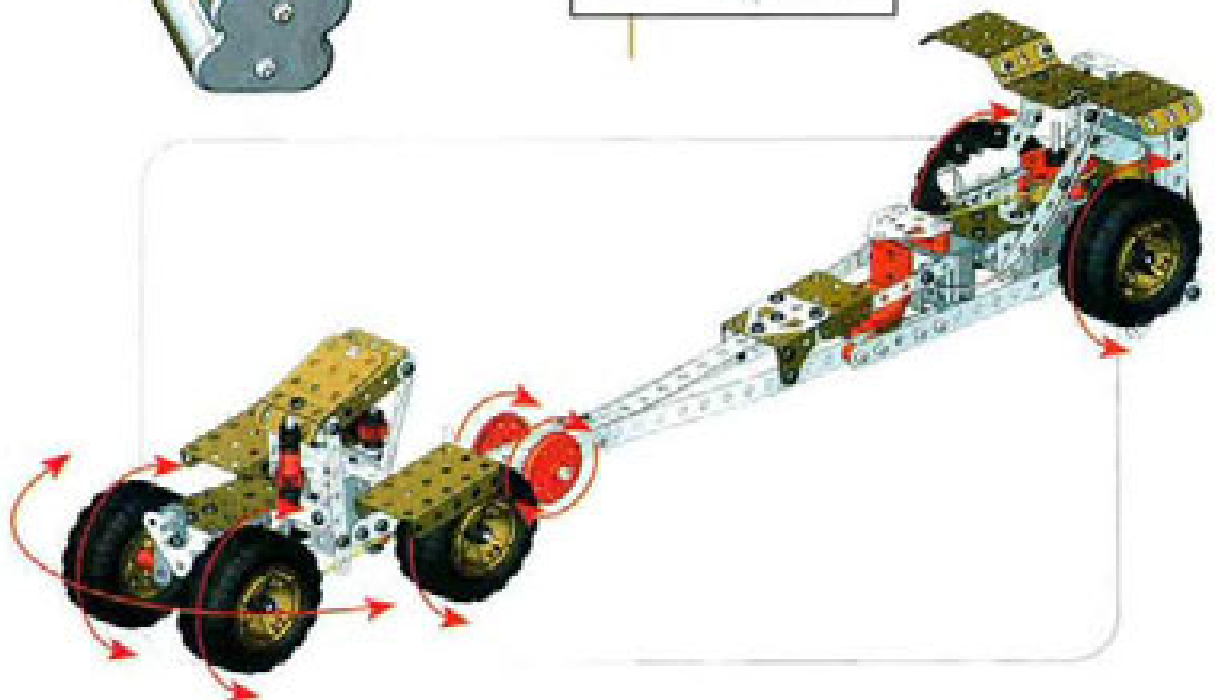
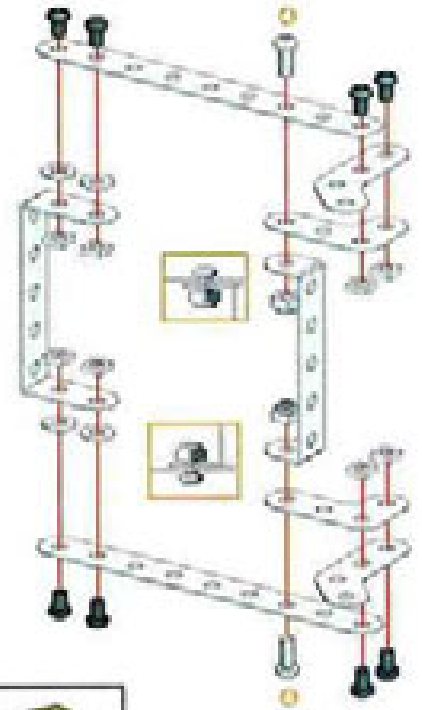
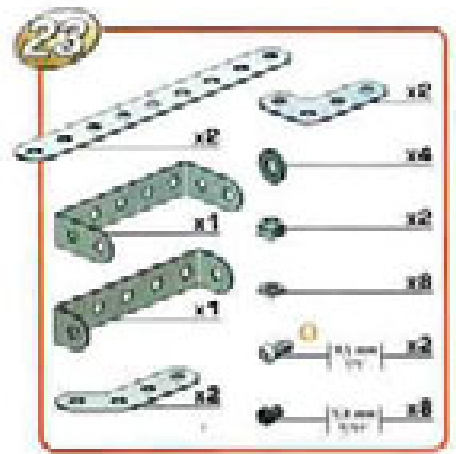
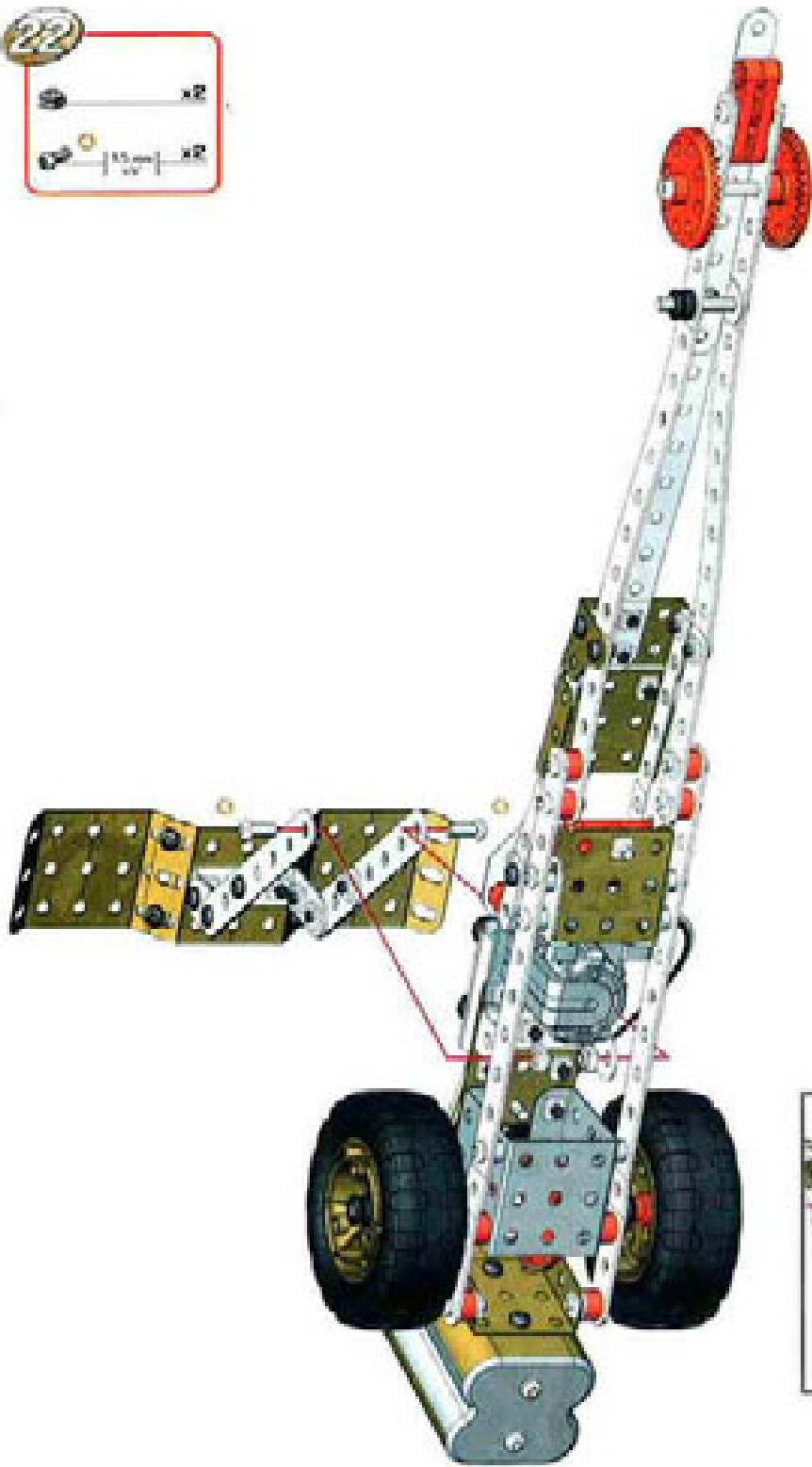
-  x1
-  x2
-  x1
-  x8
-  x1
-  x2
-  x2
-  x8

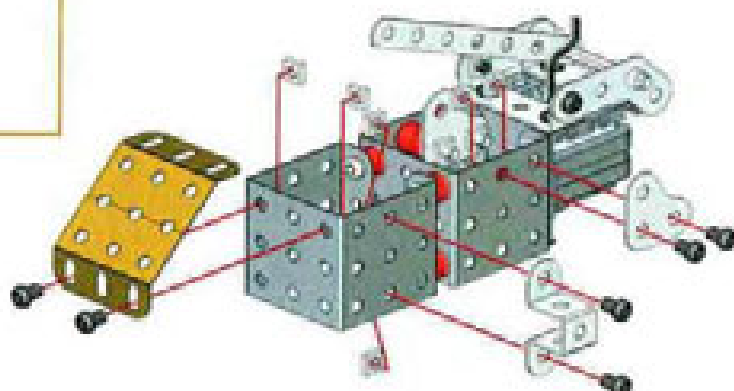
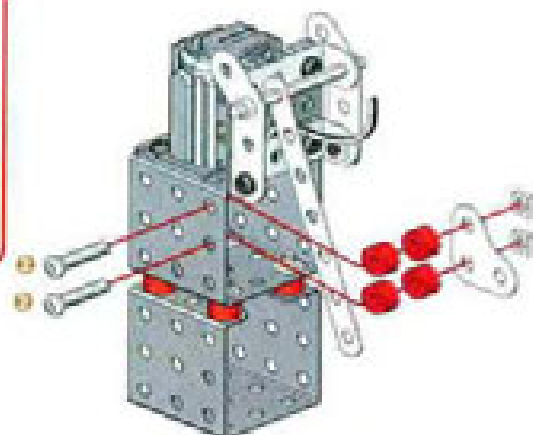
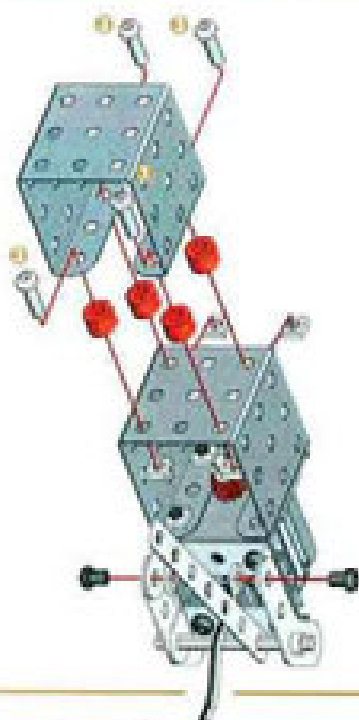
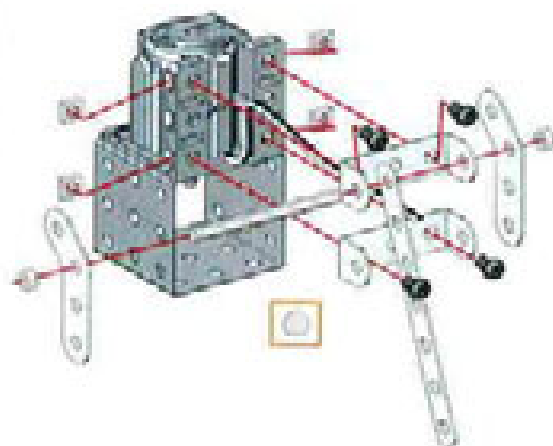
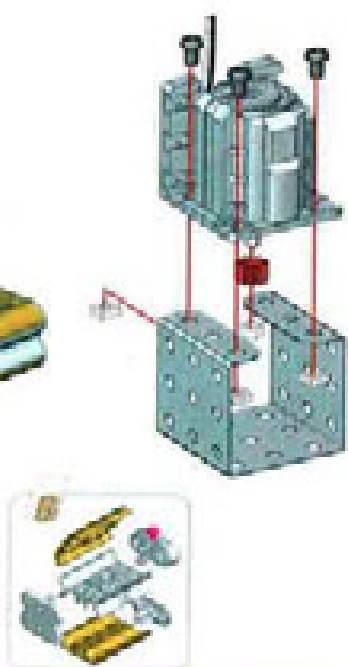
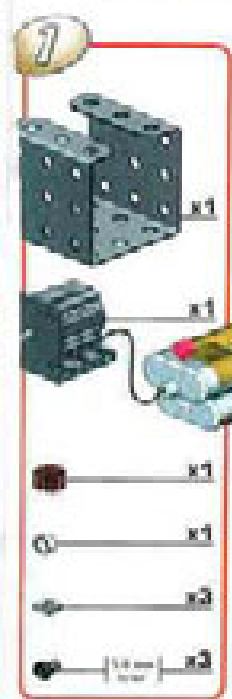


17








-  x2
-  x4
-  x1
-  x8
-  x4
-  x8

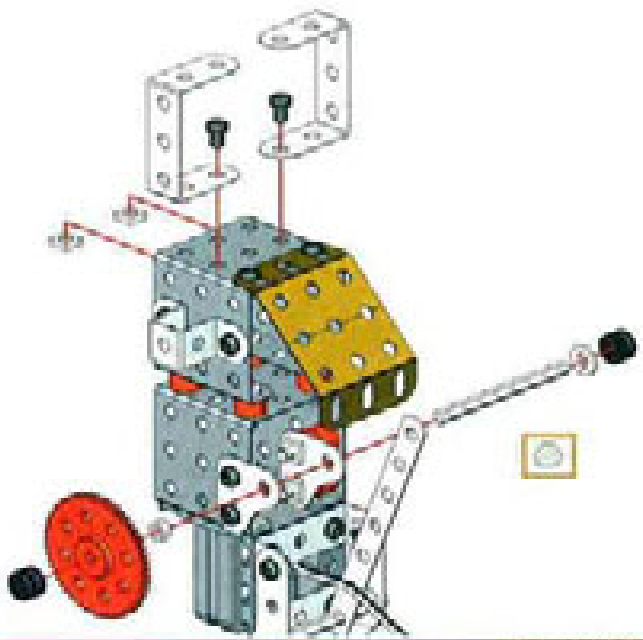
















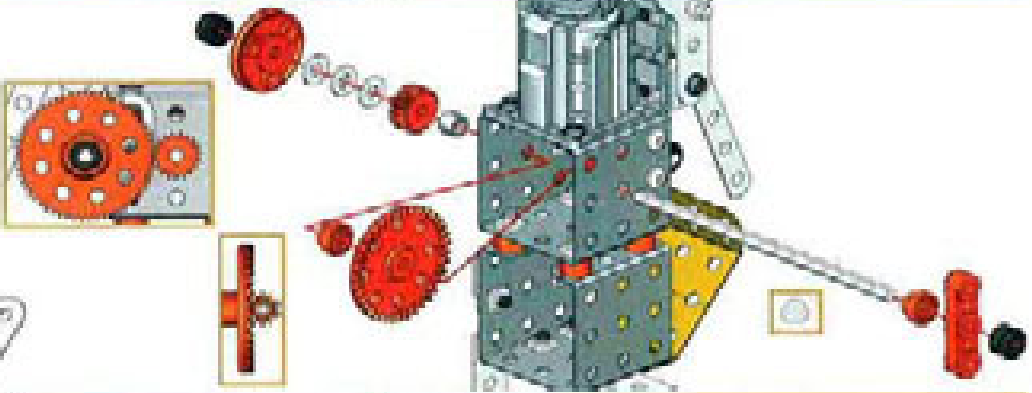
6

-  x1
-  x1
-  x2
-  x2
-  x1
-  x1
-  x2
-  x2



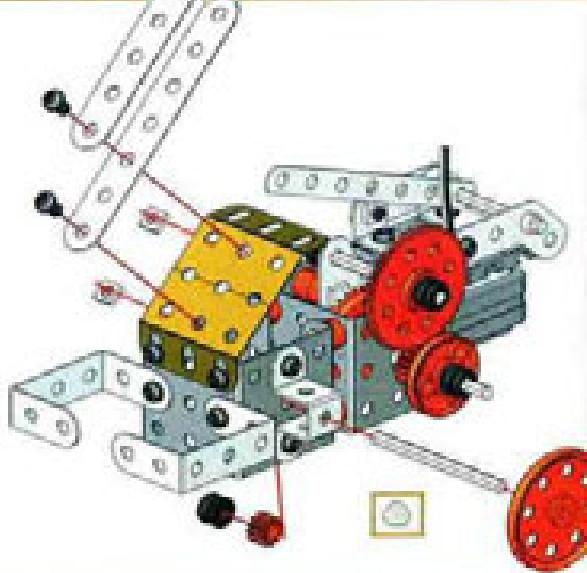
7

-  x1
-  x1
-  x1
-  x1
-  x1
-  x2
-  x2
-  x3
-  x1
-  x1




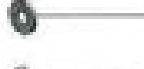

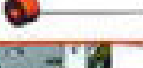


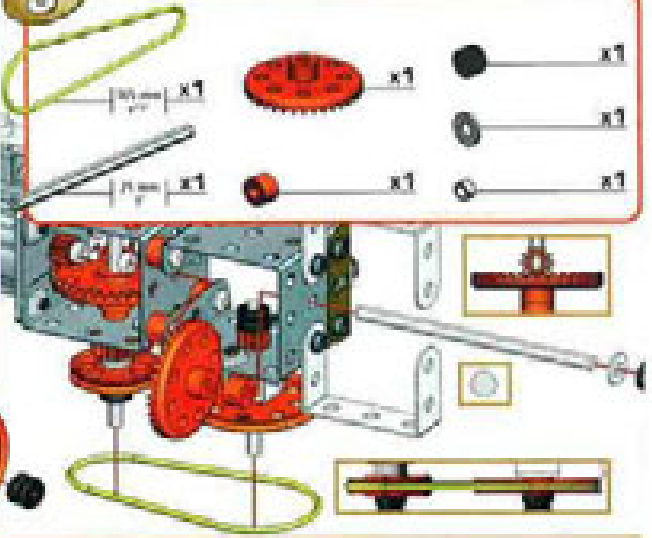
8

-  x2
-  x1
-  x1
-  x2
-  x1
-  x2
-  x2



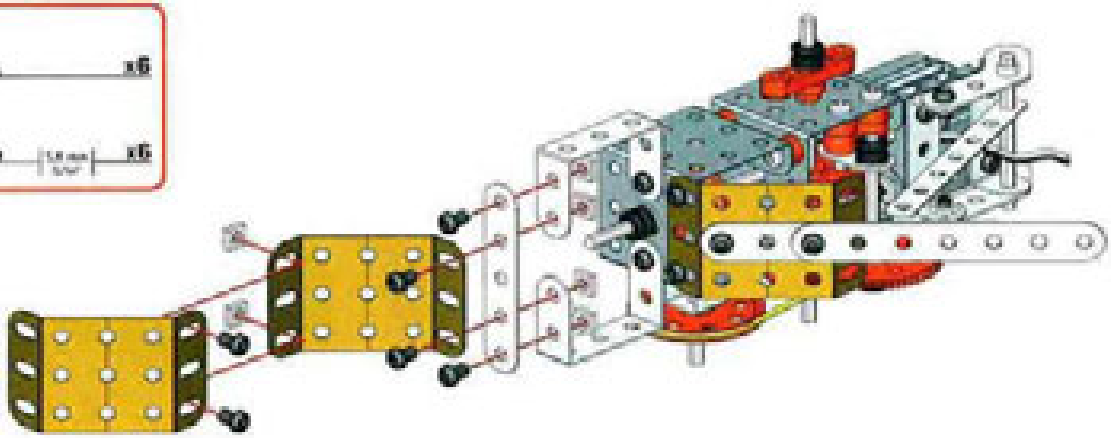
9

-  x1
-  x1
-  x1
-  x1
-  x1
-  x1



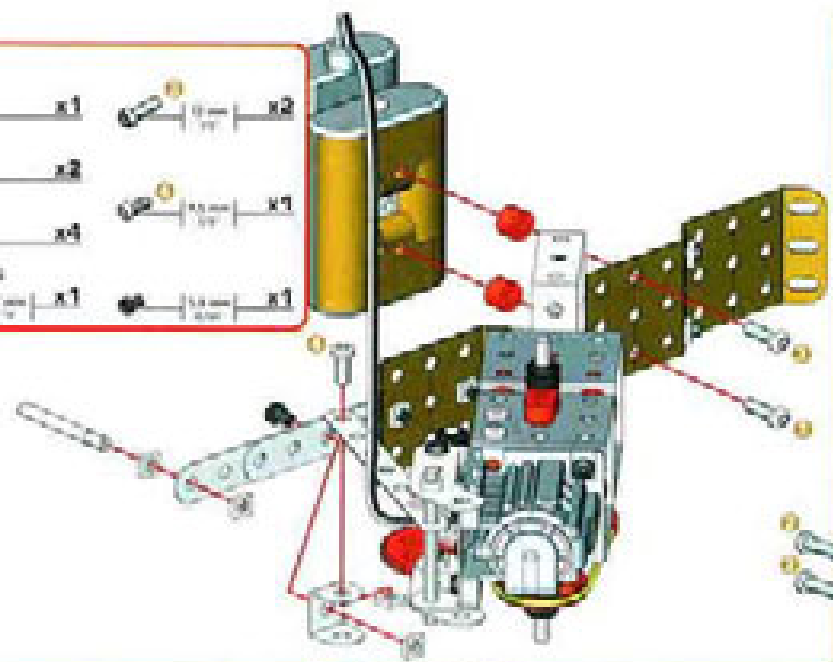
10

-  x2
-  x1
-  x6
-  x6



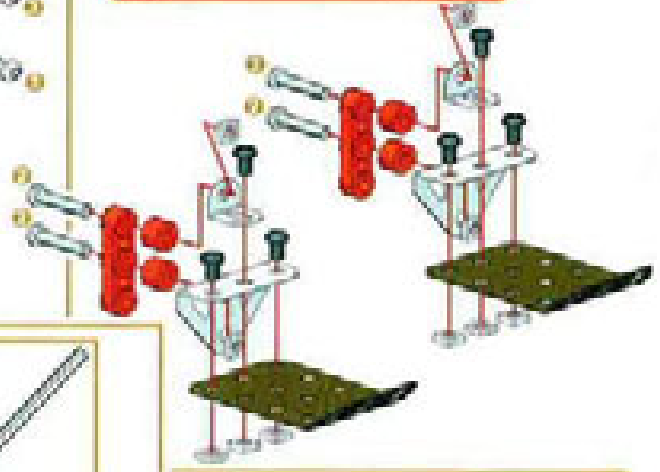
11

-  x1
-  x2
-  x4
-  x1
-  x2
-  x1
-  x1
-  x1



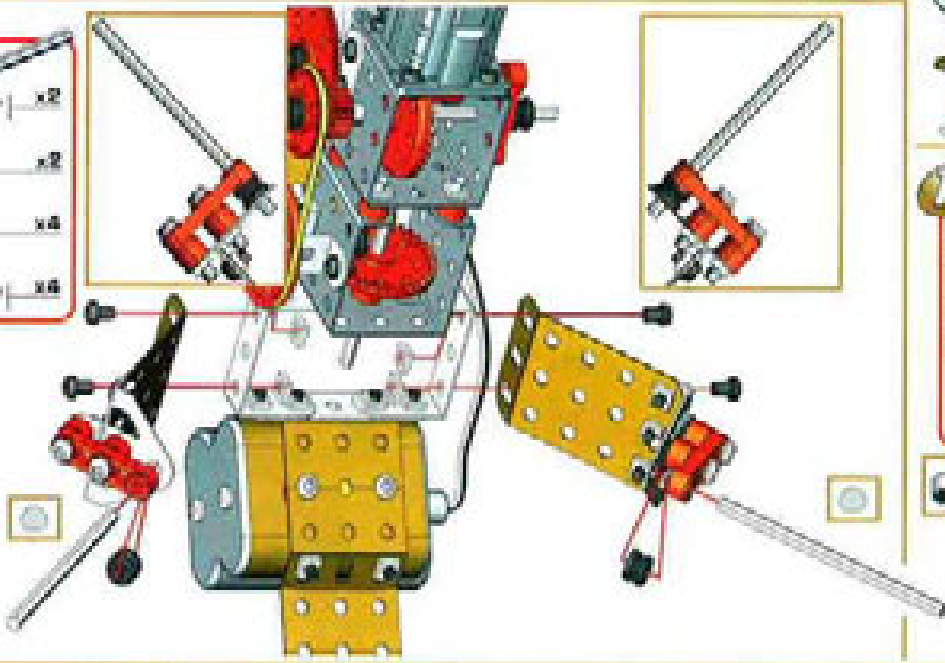
12

-  x2
-  x2
-  x2
-  x2
-  x4
-  x10
-  x4
-  x6



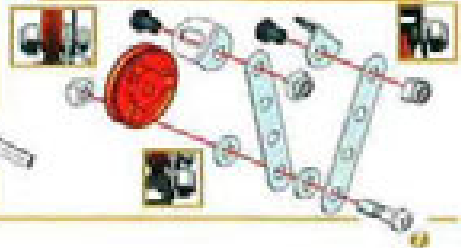
13

-  x2
-  x2
-  x4
-  x4



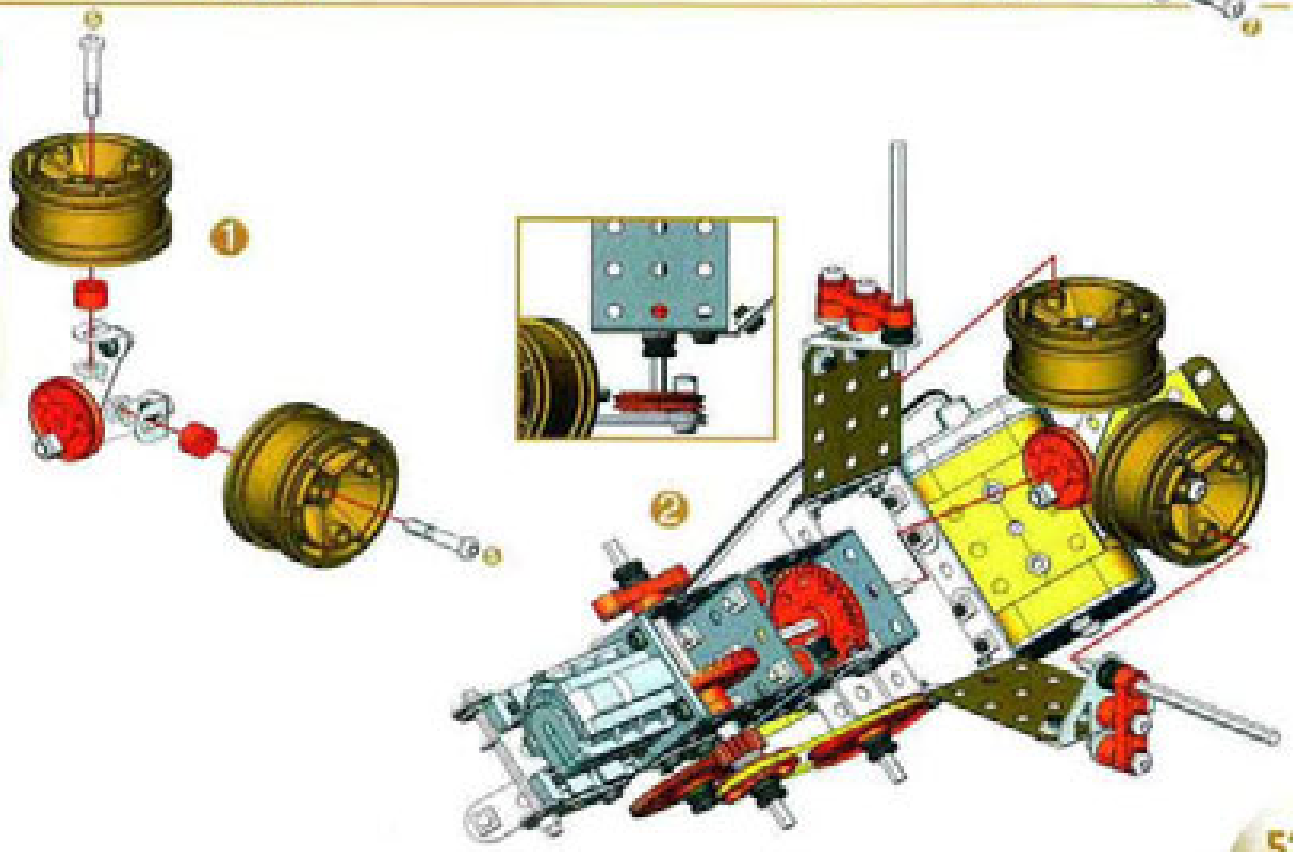
14

-  x2
-  x1
-  x2
-  x2
-  x3
-  x1
-  x2

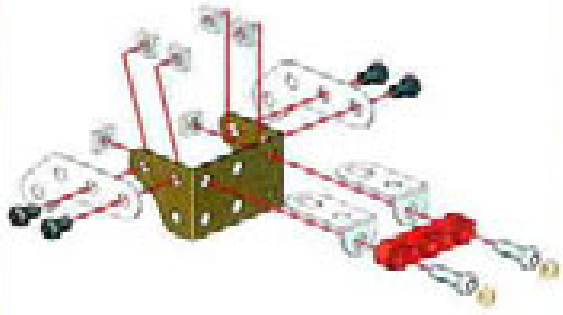









15

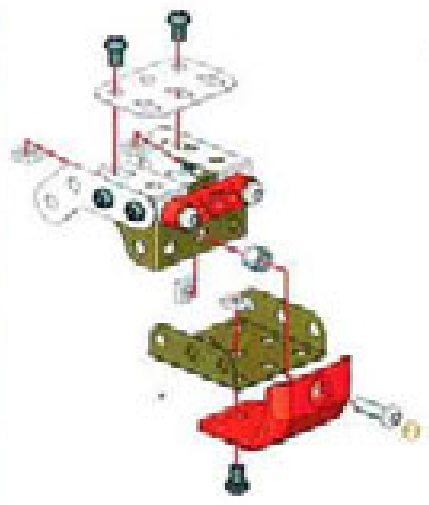
-  x2
-  x2
-  x2
-  x2



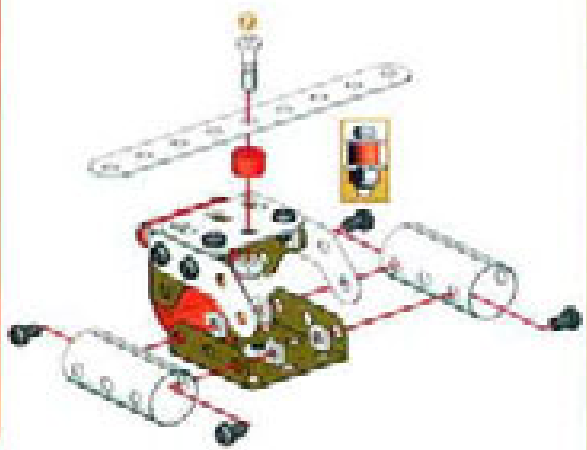
- 16**
-  x1
 -  x2
 -  x2
 -  x1
 -  x2
 -  x2
 -  x4



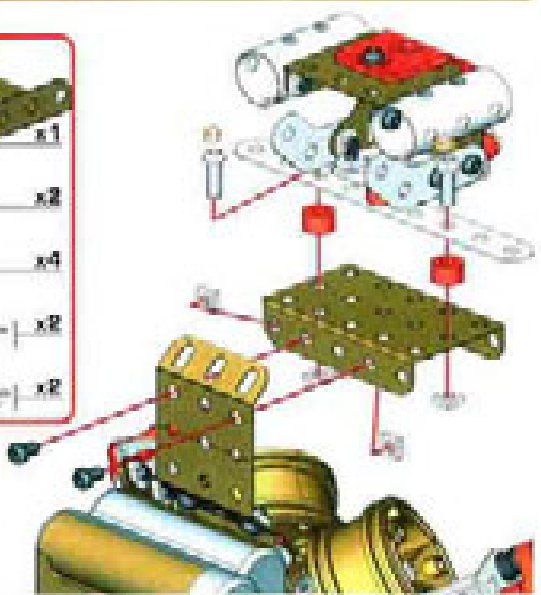
- 17**
-  x1
 -  x1
 -  x1
 -  x1
 -  x4
 -  x1
 -  x3








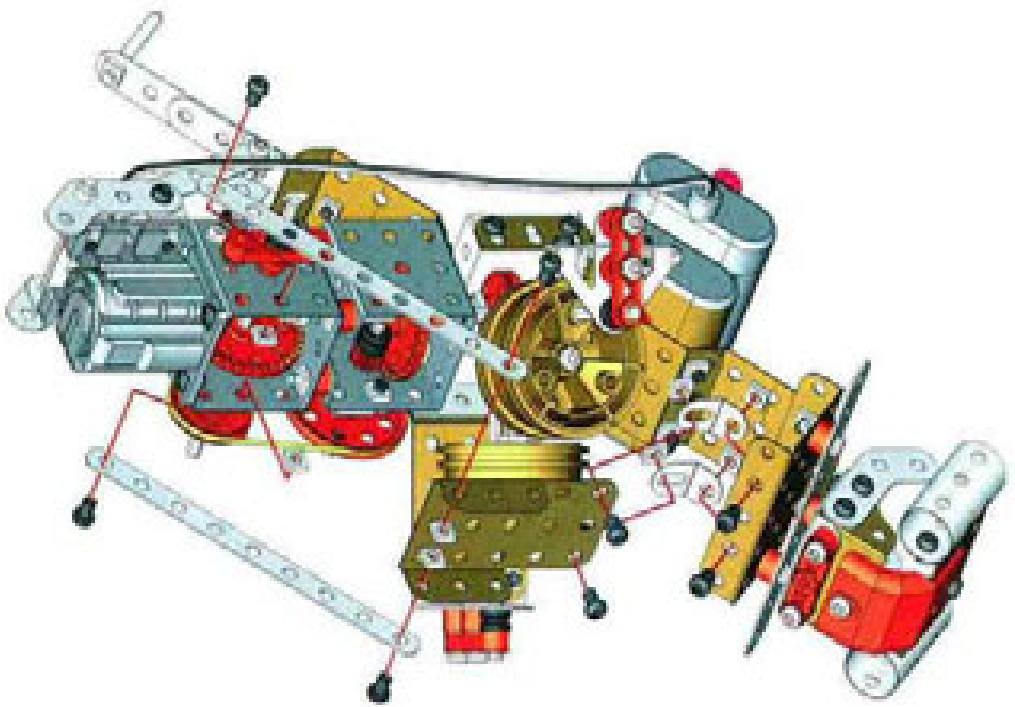
- 18**
-  x1
 -  x2
 -  x1
 -  x1
 -  x4
 -  x1
 -  x4



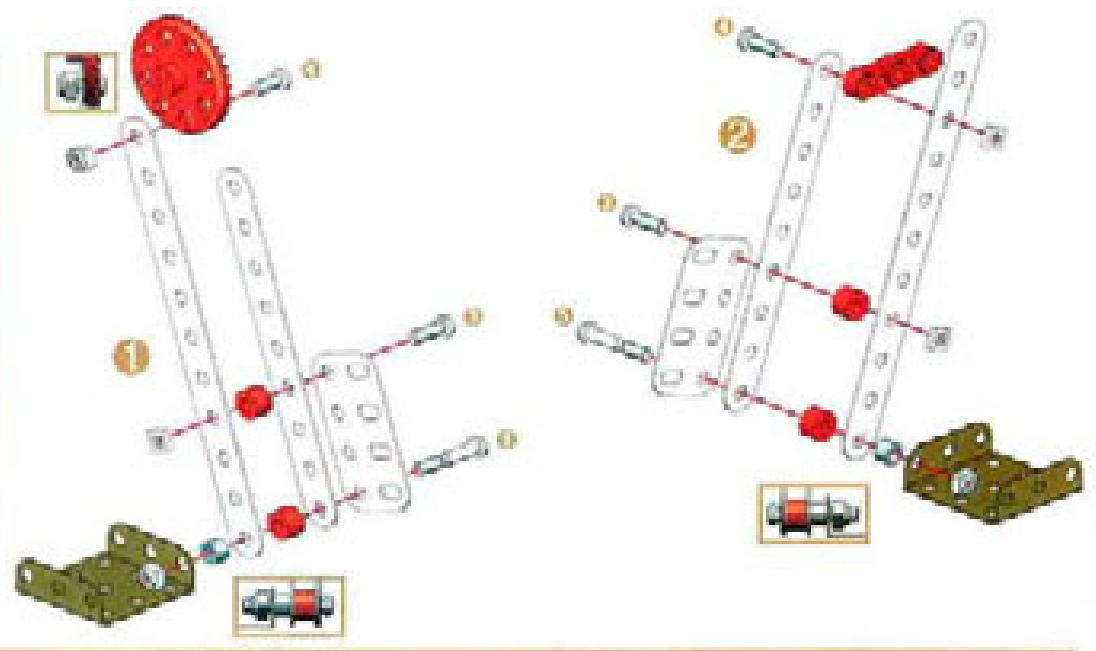
- 19**
-  x1
 -  x2
 -  x4
 -  x2
 -  x2



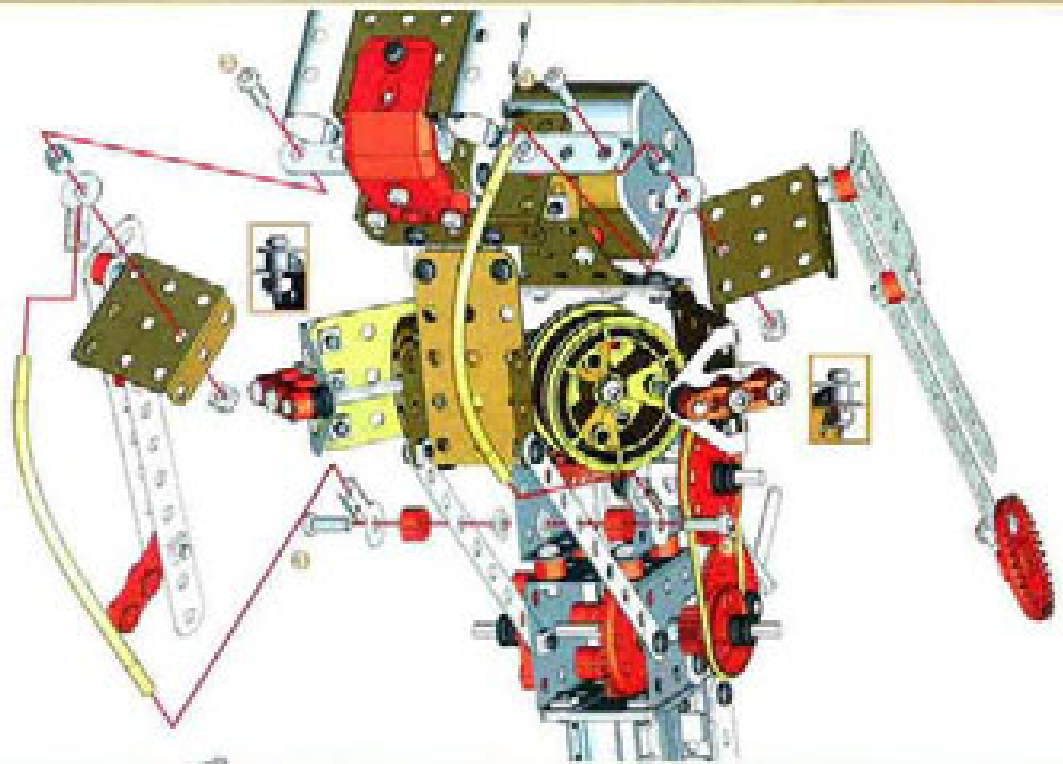
- 20**
-  x2
 -  x1
 -  x2
 -  x8
 -  x8



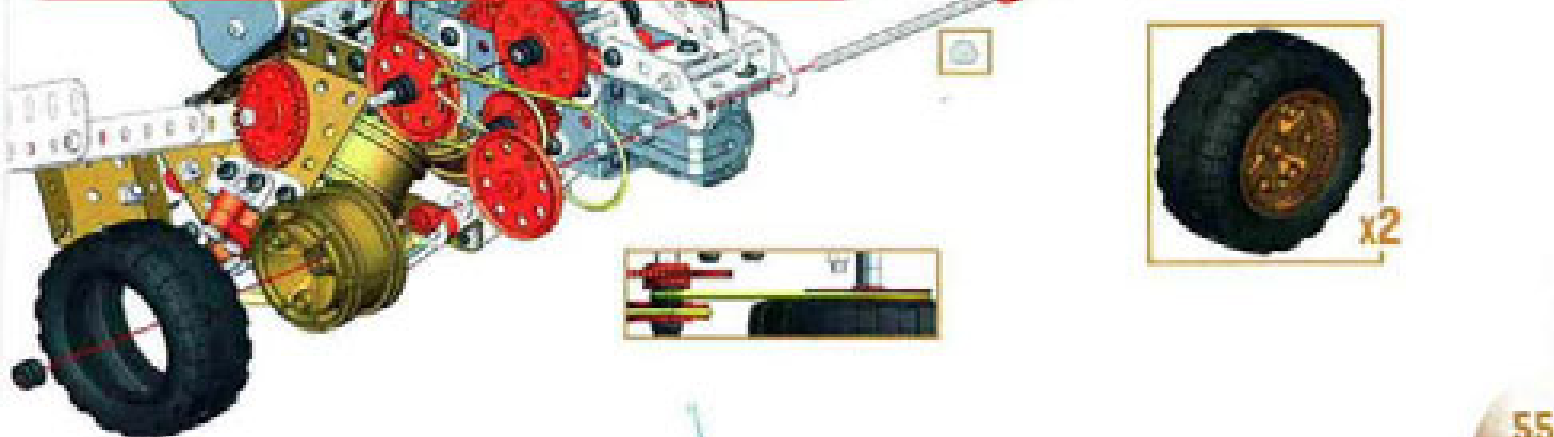
- 21
- 1 x 12 Technic Beam (grey) x2
 - 1 x 6 Technic Beam (grey) x2
 - 1 x 6 Technic Plate (grey) x2
 - 1 x 2 Yellow Technic L-Bracket x2
 - 1 x 1 Red Technic Gear x1
 - 1 x 1 Red Technic Pin x1
 - 1 x 4 Red Technic Pin x4
 - 1 x 2 Blue Technic Pin x2
 - 1 x 3 Blue Technic Pin x3
 - 1 x 3 Black Technic Pin x3
 - 1 x 2 Axle (grey) x2
 - 1 x 2 Axle (grey) x2
 - 1 x 2 Axle (grey) x2



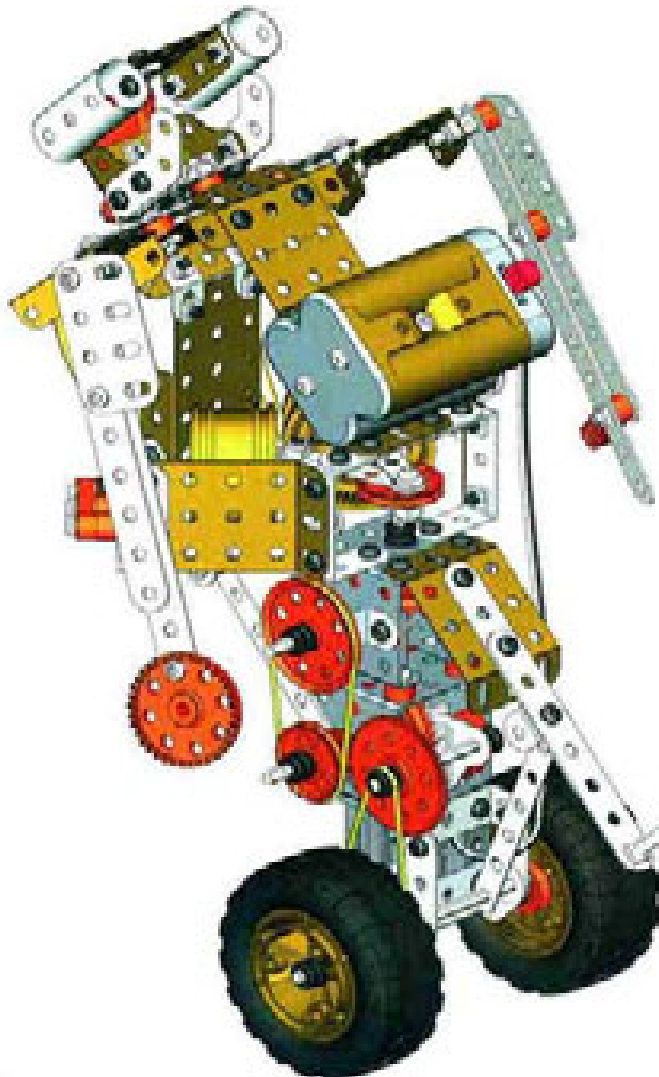
- 22
- 1 x 12 Technic Beam (grey) x2
 - 1 x 4 Blue Technic Pin x4
 - 1 x 2 Red Technic Pin x2
 - 1 x 2 Blue Technic Pin x2
 - 1 x 2 Blue Technic Pin x2
 - 1 x 2 Black Technic Pin x2
 - 1 x 4 Axle (grey) x4

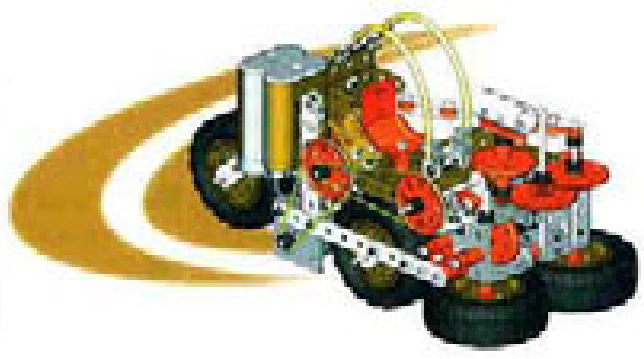


- 23
- 1 x 2 Black Technic Tire x2
 - 1 x 2 Yellow Technic Wheel x2
 - 1 x 1 Grey Technic Pin x1
 - 1 x 1 Yellow Technic Pin x1
 - 1 x 1 Red Technic Gear x1
 - 1 x 1 Red Technic Pin x1
 - 1 x 1 Red Technic Pin x1
 - 1 x 1 Black Technic Pin x1
 - 1 x 2 Black Technic Pin x2
 - 1 x 2 Red Technic Pin x2
 - 1 x 2 Blue Technic Pin x2



-  x1
-  x1
-  x1
-  x1
-  x1





7

- 1x1 Technic Beam (Grey) x1
- 1x2 Technic Beam (Grey) x2
- 1x2 Technic Beam (White) x2
- 1x6 Technic Beam (Grey) x6
- 1x6 Technic Beam (Grey) with Pin (Black) x6

2

- 1x2 Technic Beam (Grey) x2
- 1x1 Technic Beam (Red) x1
- 1x1 Technic Pin (Black) x1
- 1x1 Technic Pin (Red) x3
- 1x1 Technic Pin (Grey) x4
- 1x2 Technic Beam (Grey) x2
- 1x2 Technic Beam (Grey) x2
- 1x1 Technic Pin (Grey) x2
- 1x1 Technic Pin (Grey) with Pin (Black) x2

3

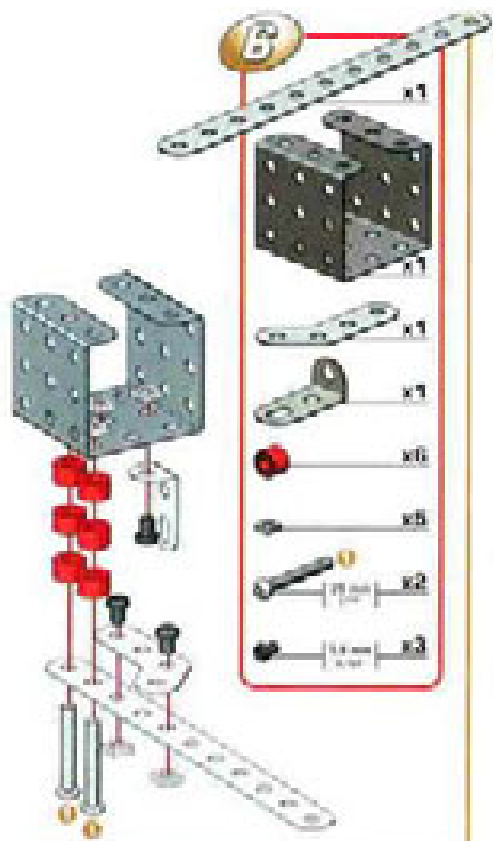
- 1x2 Technic Beam (Grey) x1
- 1x2 Technic Beam (Grey) x2
- 1x1 Technic Beam (Grey) x1
- 1x1 Technic Pin (Black) x2
- 1x1 Technic Pin (Grey) x1
- 1x6 Technic Beam (Grey) x6
- 1x6 Technic Beam (Grey) with Pin (Black) x6

4

- 1x2 Technic Beam (Grey) x1
- 1x2 Technic Beam (Grey) x1
- 1x1 Technic Beam (Grey) x1
- 1x1 Technic Beam (Grey) x1
- 1x2 Technic Beam (Grey) x2
- 1x6 Technic Beam (Grey) x6
- 1x6 Technic Beam (Grey) with Pin (Black) x6

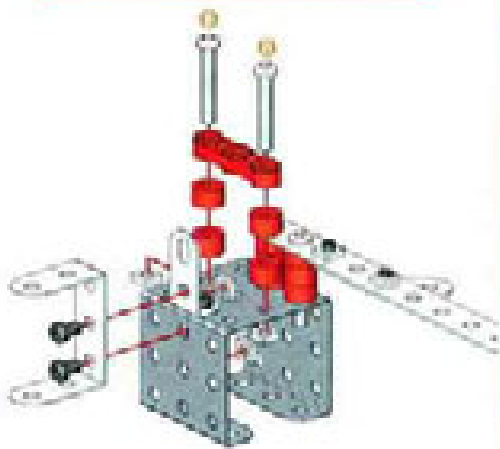
5

- 1x6 Technic Beam (Grey) with Pin (Black) x2
- 1x1 Technic Pin (Black) x2
- 1x1 Technic Pin (Red) x2
- 1x1 Technic Pin (Grey) x1
- 1x1 Technic Pin (Grey) x1
- 1x1 Technic Pin (Grey) x1
- 1x1 Technic Pin (Grey) x1
- 1x1 Technic Pin (Grey) with Pin (Black) x1

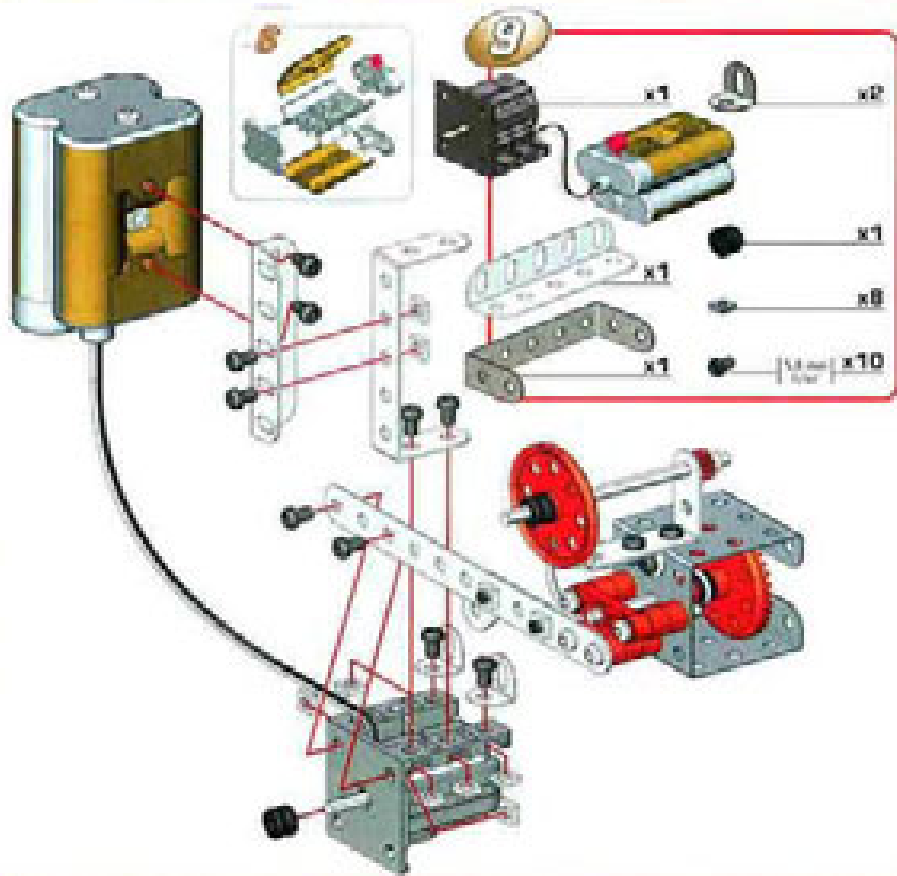
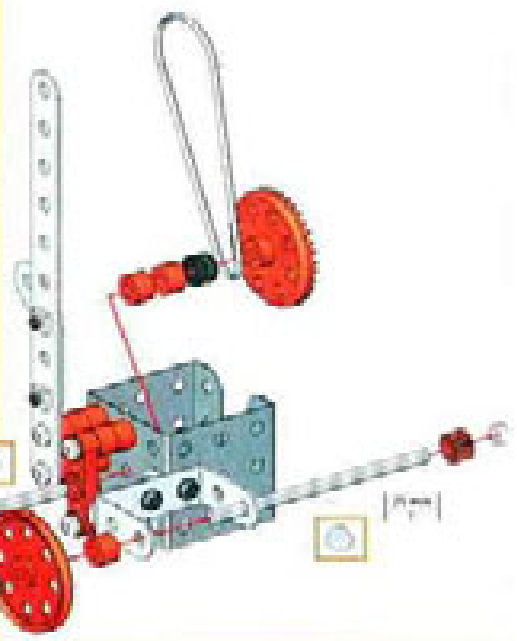


- 6**
- x1
- x1
- x1
- x1
- x6
- x5
- x2
- x3

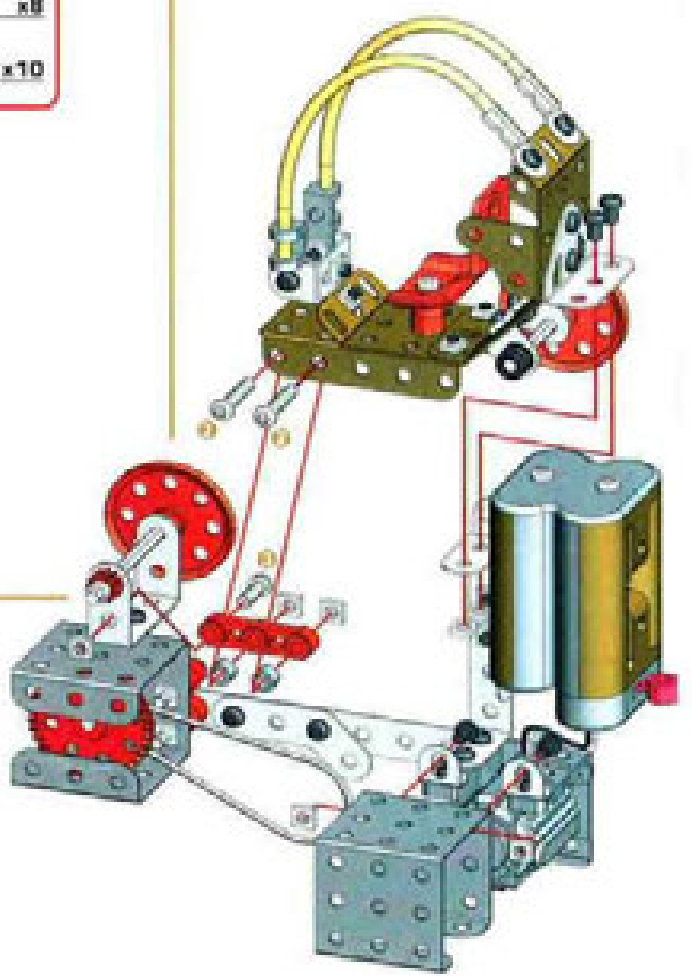
- 7**
- x1
- x1
- x4
- x4
- x4
- x2
- x2



- 8**
- x1
- x1
- x1
- x1
- x1
- x1
- x2
- x1
- x3
- x1

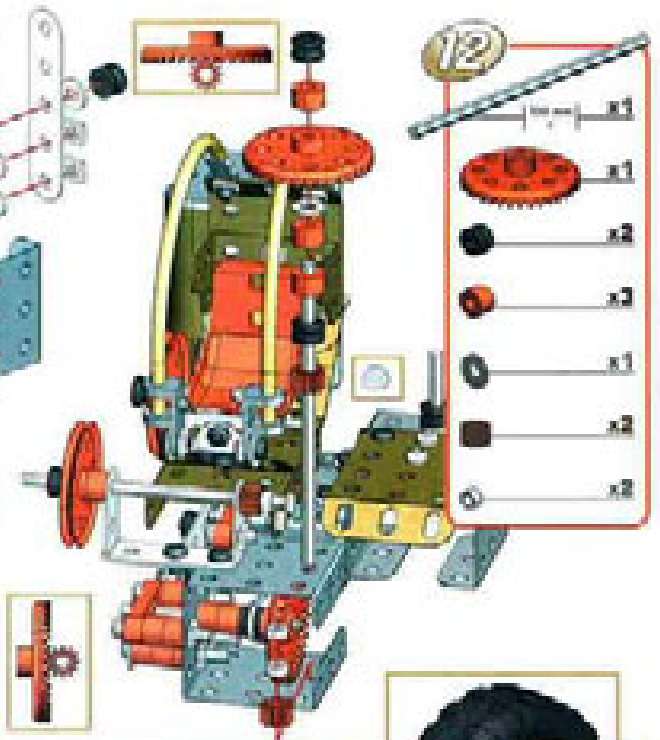
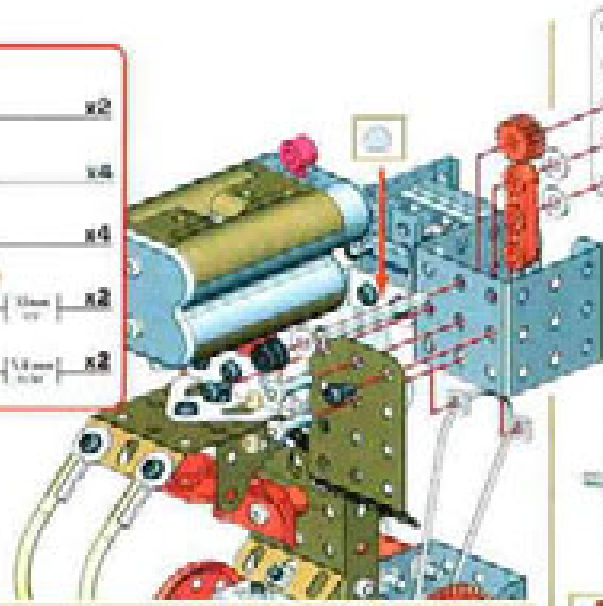


- 9**
- x1
- x1
- x1
- x1
- x1
- x2
- x1
- x8
- x10

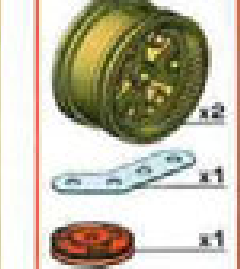
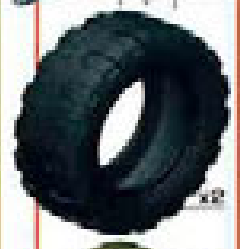
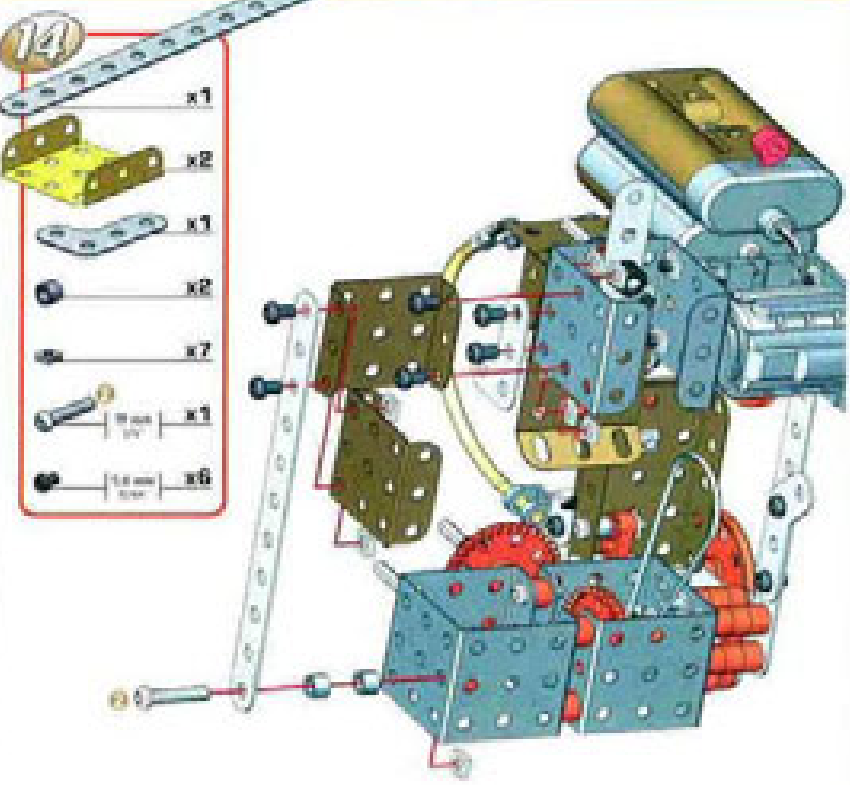
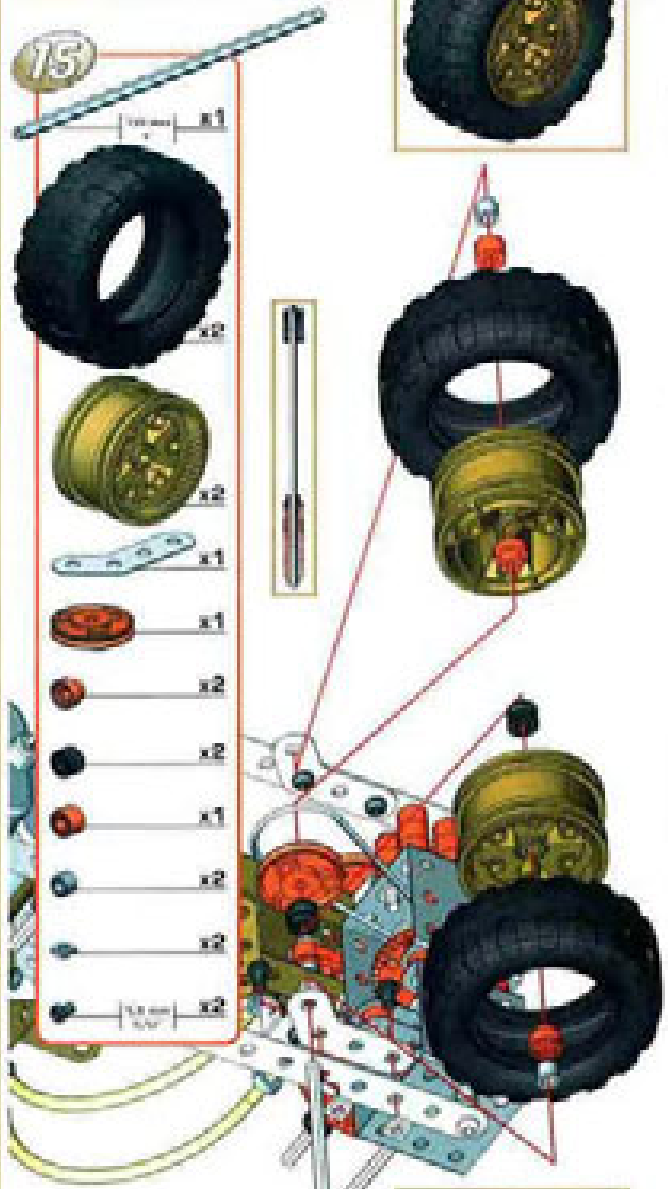
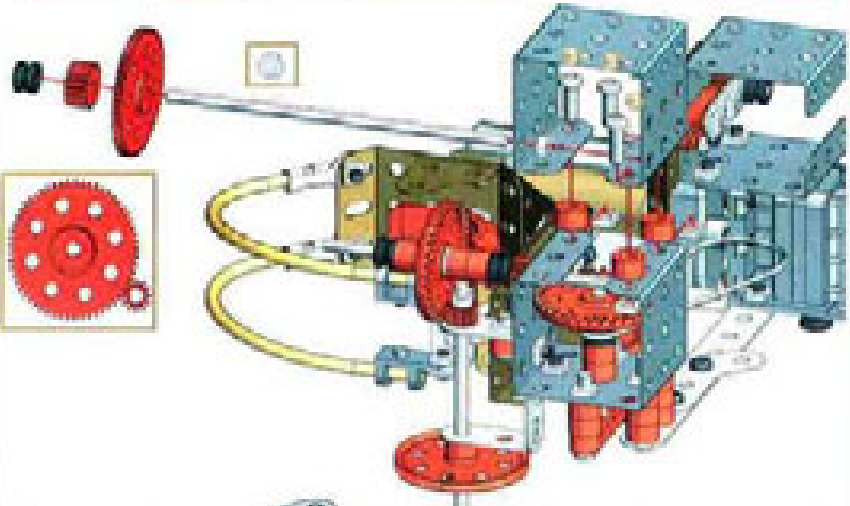


- 10**
- x1
- x1
- x1
- x2
- x2
- x1
- x4






- 11**
- | | |
|-------------------------|----|
| Green 1x5 Technic Plate | x1 |
| Black 1x5 Technic Plate | x1 |
| Black 1x5 Technic Plate | x1 |
| Red 1x5 Technic Plate | x1 |
| Black 1x5 Technic Plate | x1 |
| Black Pin | x2 |
| Black Pin | x4 |
| Black Pin | x4 |
| Black Pin | x2 |
| Black Pin | x2 |
| Black Pin | x2 |

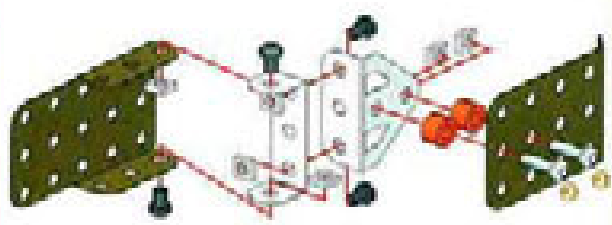


- 13**
- | | |
|-------------------------|----|
| Black 2x4 Technic Plate | x1 |
| Black 1x5 Technic Plate | x1 |
| Black Pin | x1 |
| Black Pin | x1 |
| Black Pin | x2 |
| Black Pin | x2 |
| Black Pin | x1 |
| Black Pin | x2 |
| Black Pin | x2 |
| Black Pin | x2 |
| Black Pin | x2 |
| Black Pin | x2 |



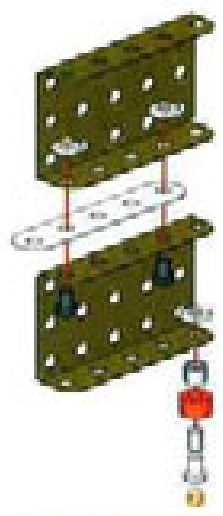
16

-  x1
-  x1
-  x2
-  x10
-  x2
-  x6
-  x1



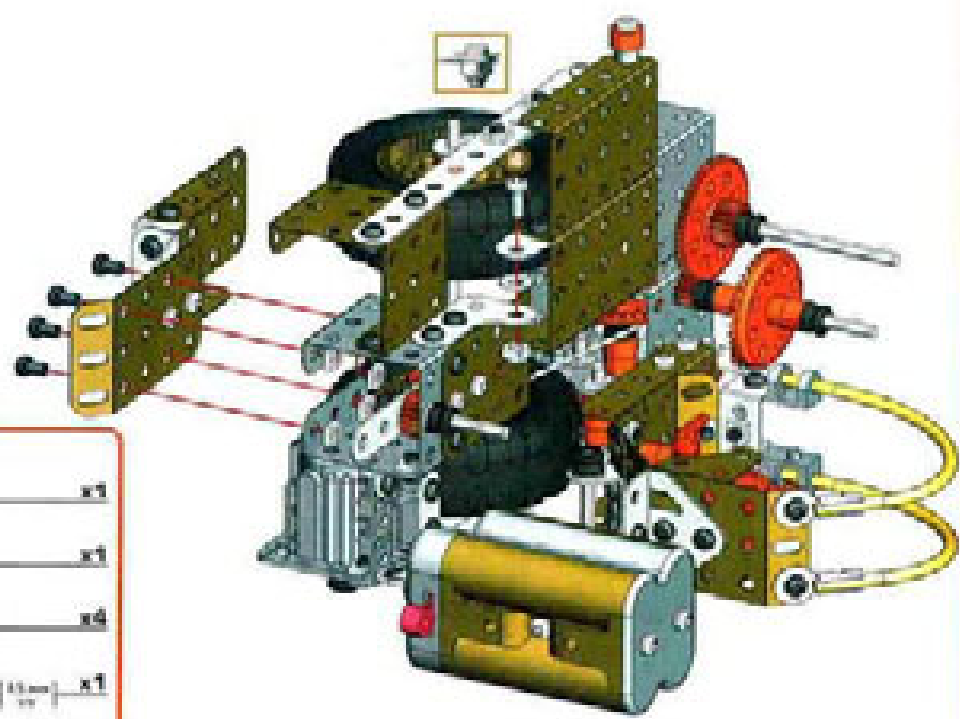
17

-  x2
-  x1
-  x2
-  x1
-  x1
-  x1
-  x2






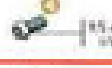


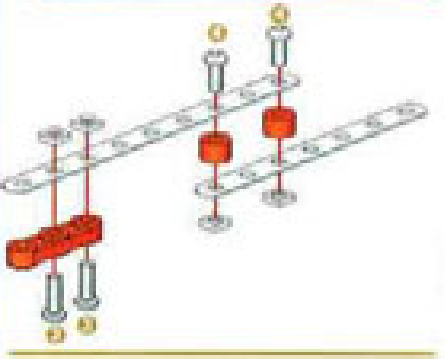
18

-  x1
-  x1
-  x4
-  x1
-  x4



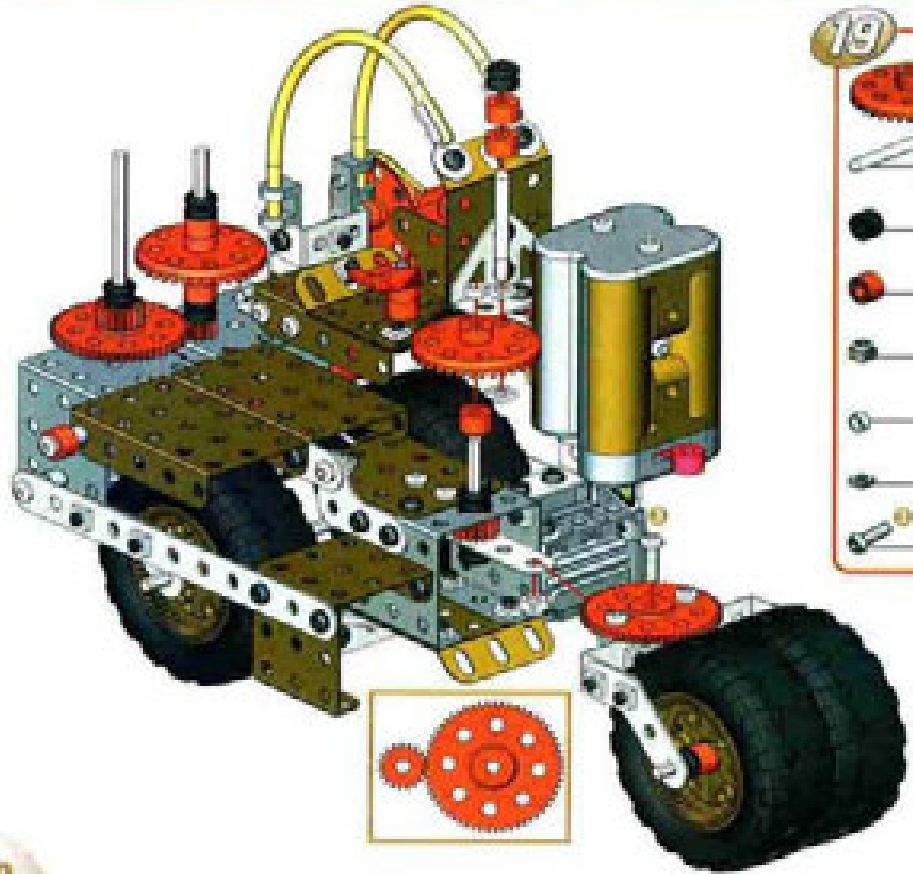
20

-  x1
-  x2
-  x1
-  x4
-  x1
-  x2



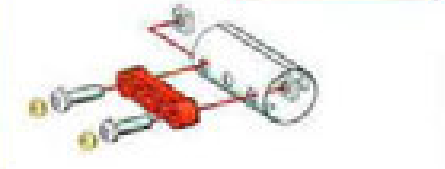
19

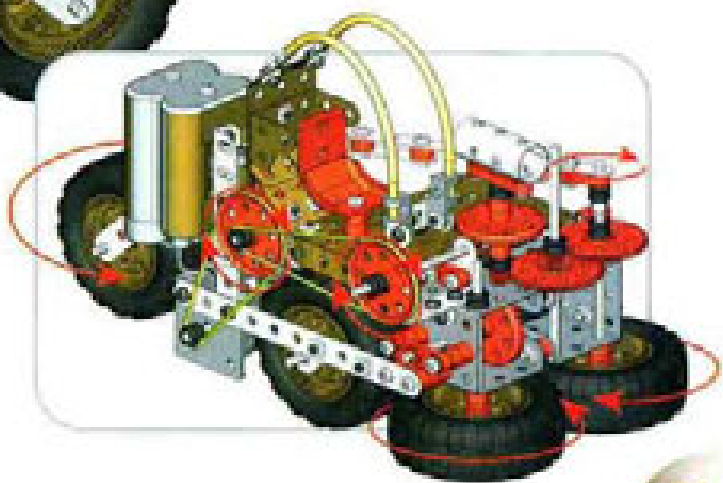
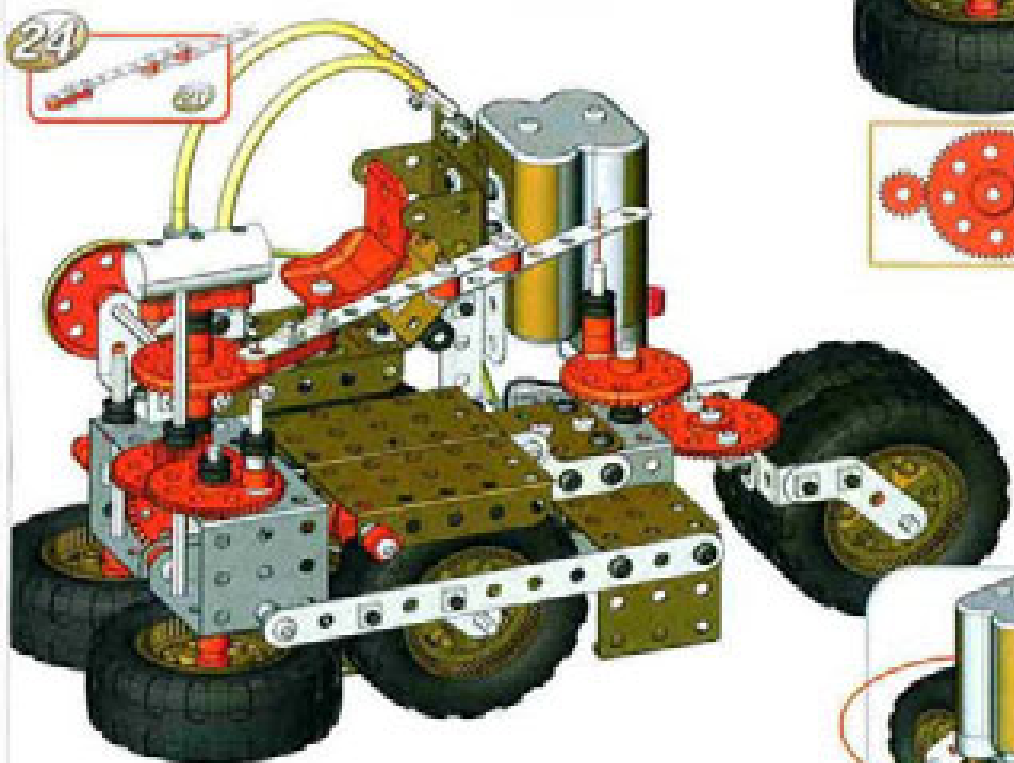
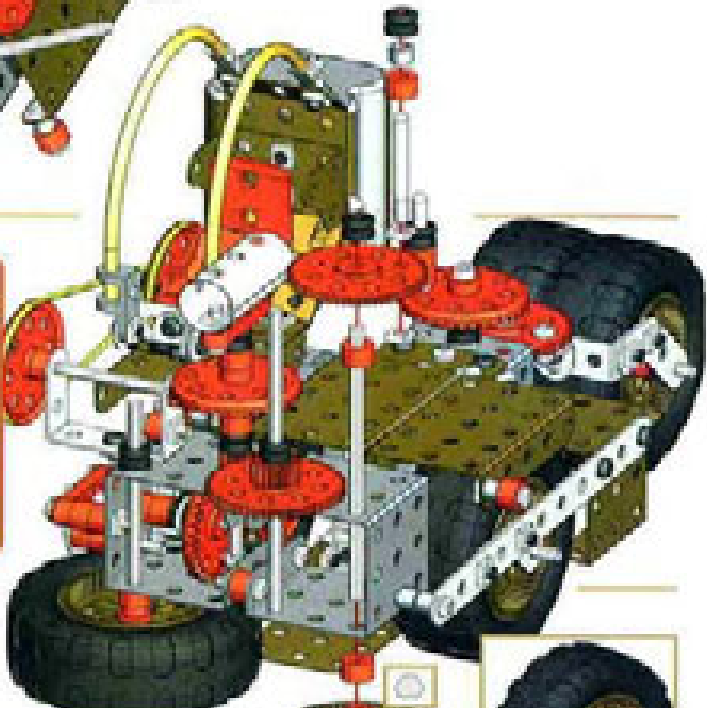
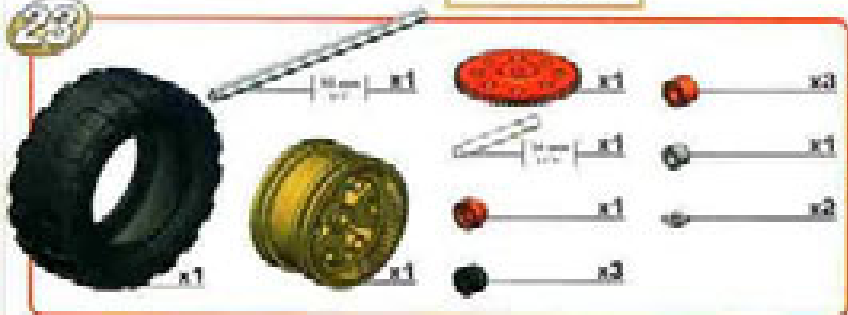
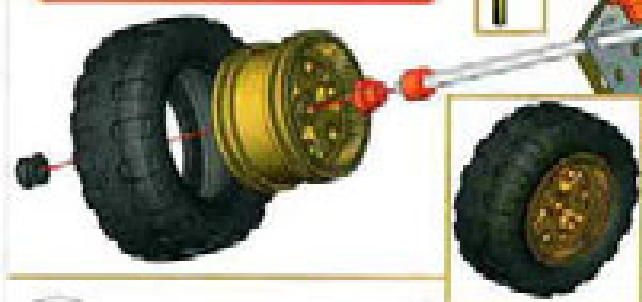
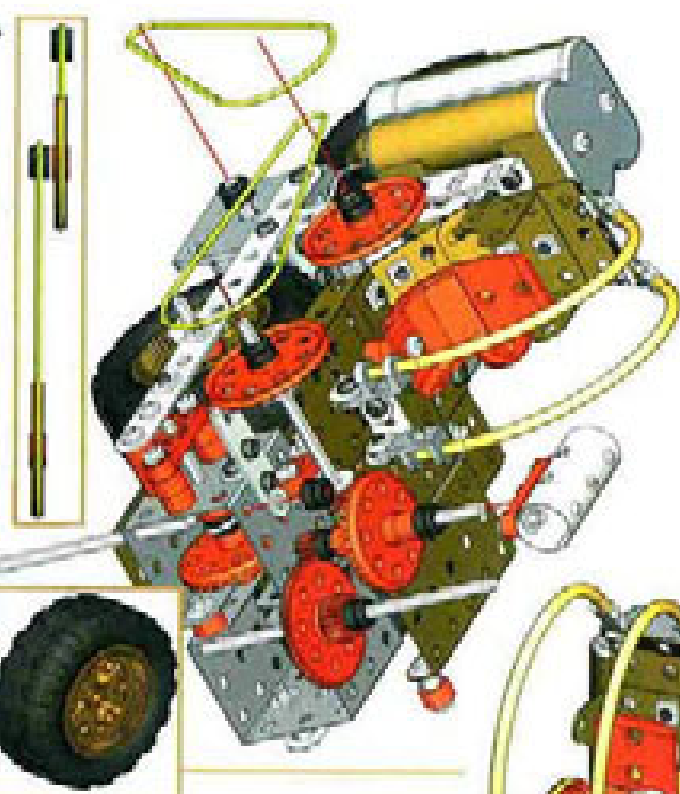
-  x1
-  x1
-  x1
-  x3
-  x1
-  x1
-  x2
-  x1

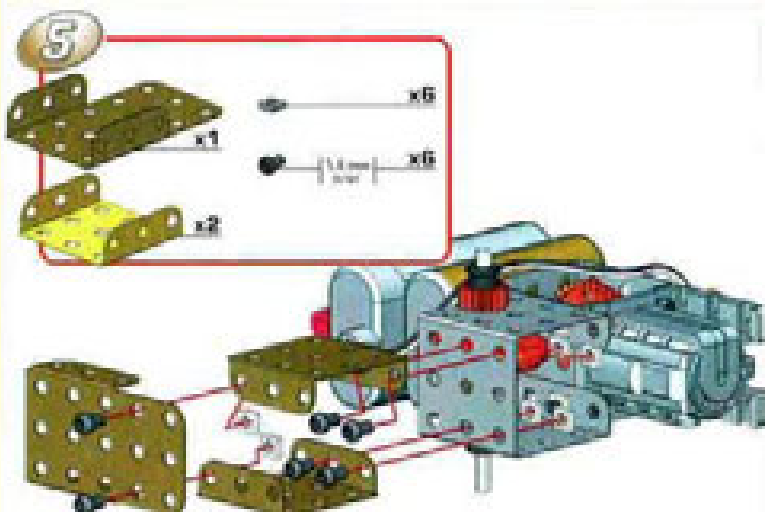
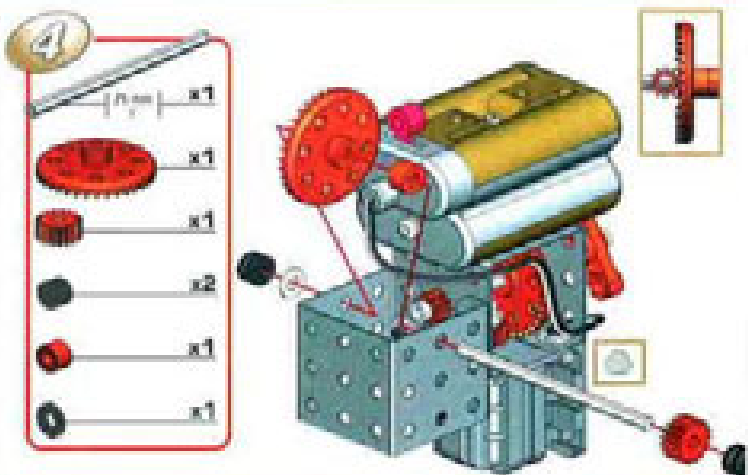
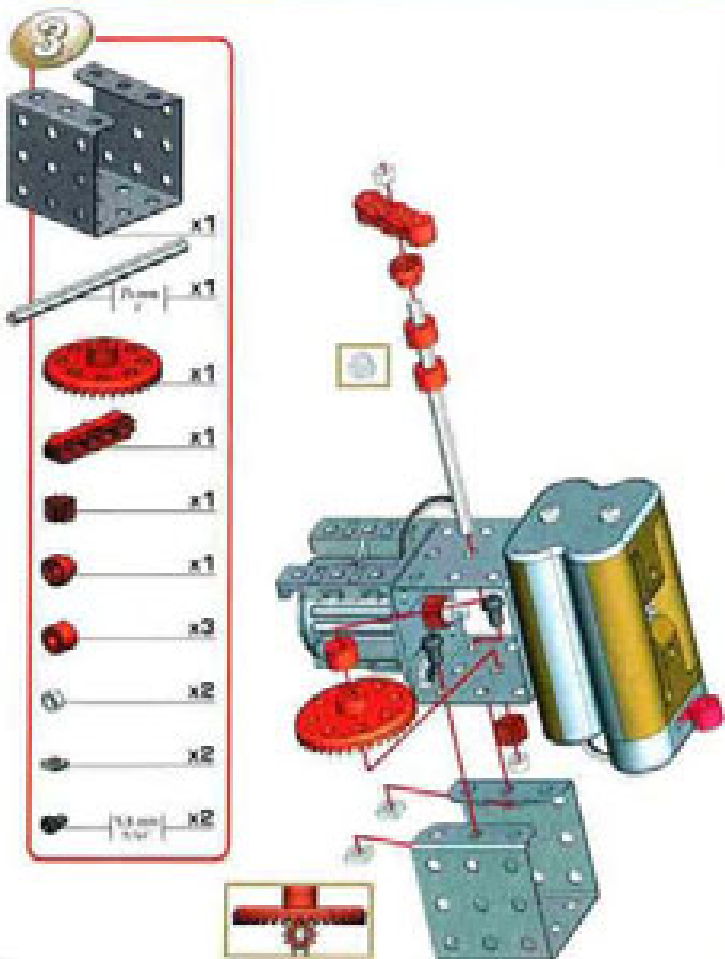
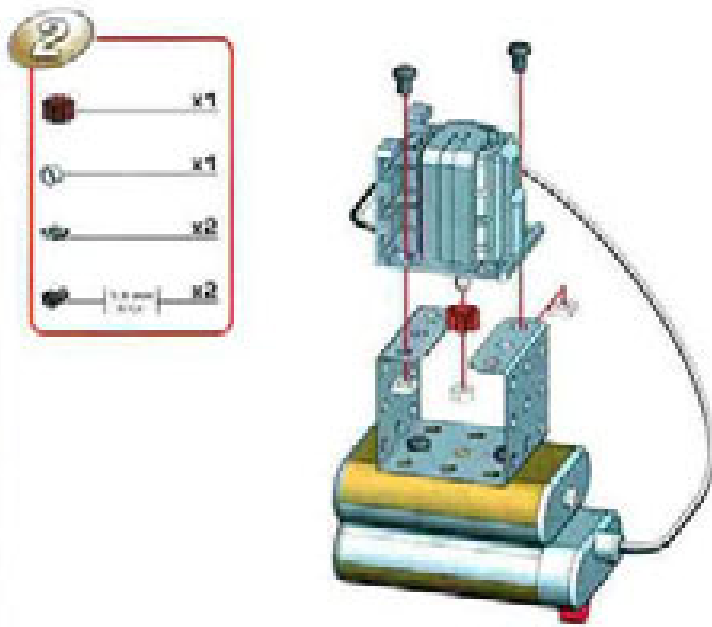
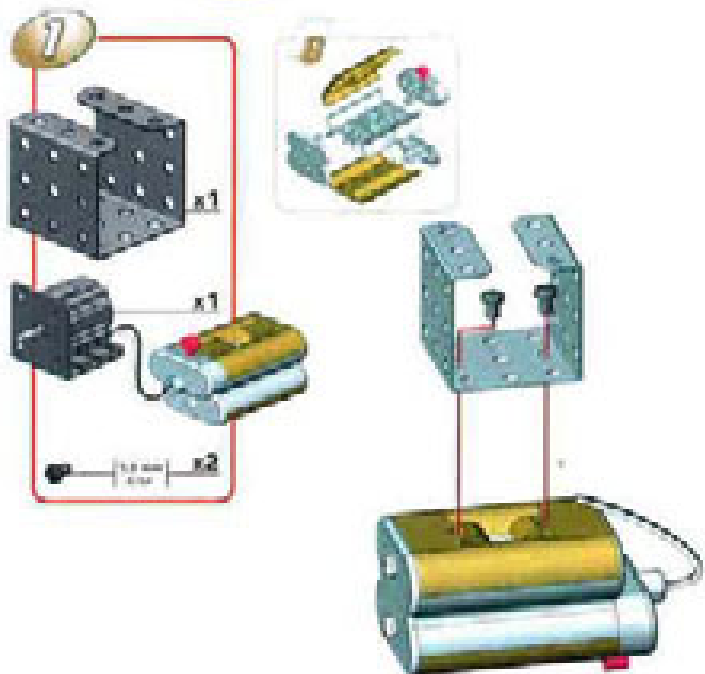


21

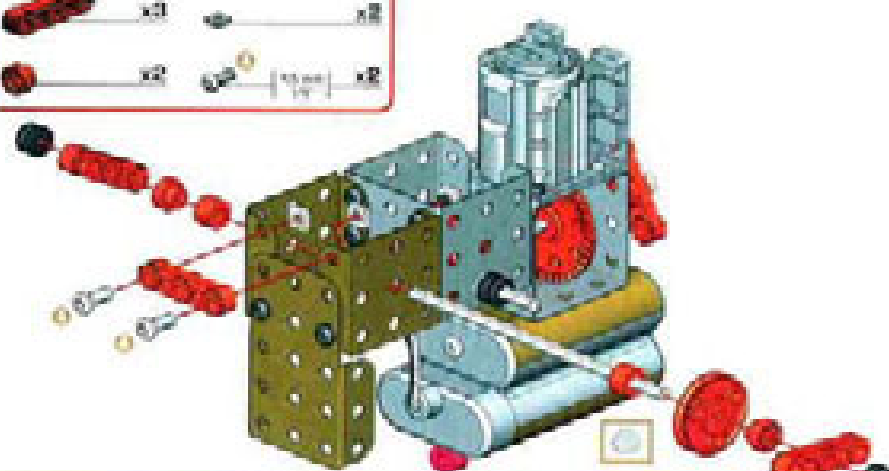
-  x1
-  x1
-  x2
-  x2



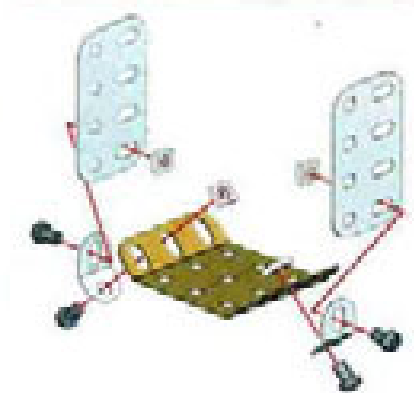




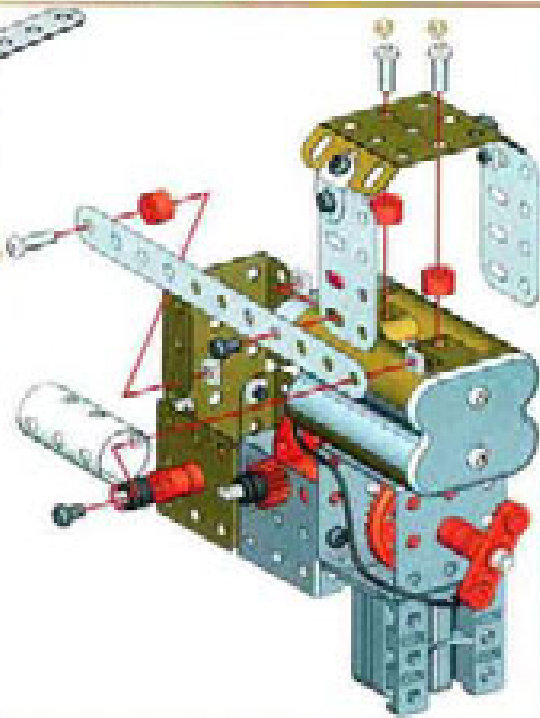
- 6
- 100mm x1
 - 10mm x1
 - 10mm x1
 - 10mm x1
 - 10mm x2
 - 10mm x2
 - 10mm x2
 - 10mm x2
 - 10mm x2
 - 10mm x2



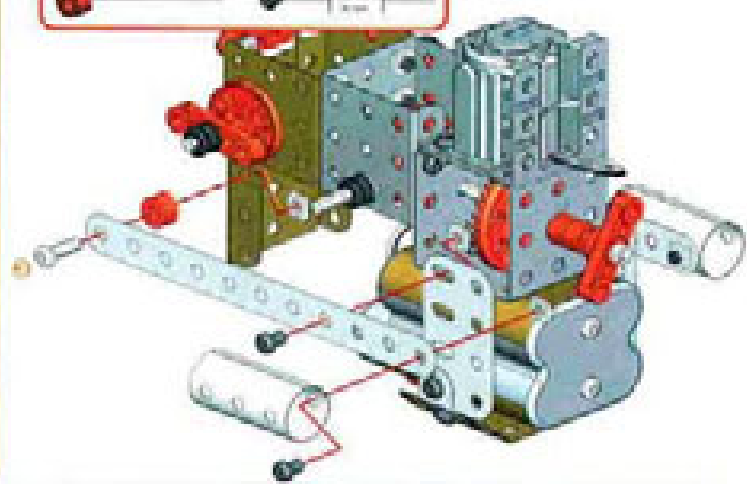
- 7
- 10mm x1
 - 10mm x2
 - 10mm x2
 - 10mm x4
 - 10mm x4
 - 10mm x2



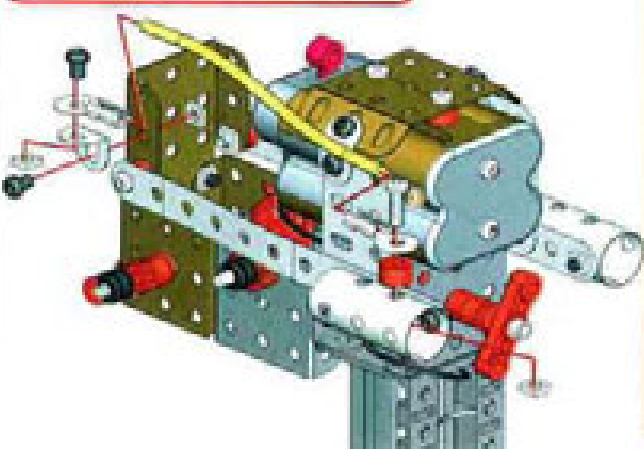
- 8
- 100mm x1
 - 10mm x1
 - 10mm x2
 - 10mm x2
 - 10mm x2
 - 10mm x2
 - 10mm x2



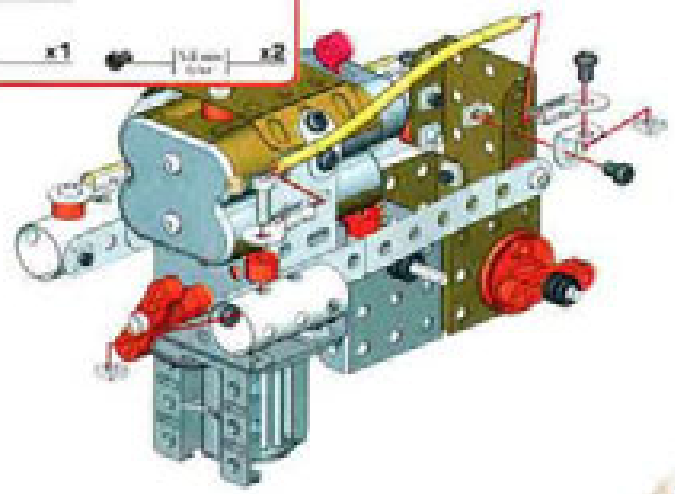
- 9
- 100mm x1
 - 10mm x1
 - 10mm x1
 - 10mm x2
 - 10mm x2
 - 10mm x2



- 10
- 100mm x1
 - 10mm x1
 - 10mm x2
 - 10mm x1
 - 10mm x2
 - 10mm x2



- 11
- 100mm x1
 - 10mm x1
 - 10mm x2
 - 10mm x1
 - 10mm x2
 - 10mm x2



12

	x1		x1
	x1		x2
	x1		x1
	x1		x2

13

	x2		x2
	x2		x2
	x1		x1
	x1		x1
	x2		x2
	x2		x2

14

	x2		x1
	x1		x2
	x2		x2
	x1		x1
	x1		x1
	x1		x1
	x4		

15

	x1		x1
	x1		x6
	x1		x6

16

	x1		x1
	x1		x4
	x1		x4

17

	x1		x1
	x1		x4
	x4		x4

18

	x2		x1
	x1		x2
	x1		x2
	x2		x1

19

- 1 x 20 Technic Beam (grey) x2
- 1 x 2 Technic Pin (grey) x2
- 1 x 4 Technic Pin (red) x4
- 1 x 4 Technic Pin (black) x4
- 1 x 7mm Technic Pin (yellow) x2
- 1 x 10mm Technic Pin (black) x2

20

- 1 x 2 Red Technic Wheel x2
- 1 x 2 Technic Pin (red) x2
- 1 x 2 Technic Pin (black) x2
- 1 x 2 Technic Pin (grey) x2
- 1 x 7mm Technic Pin (yellow) x2

21

- 1 x 7mm Technic Pin (yellow) x1
- 1 x 7mm Technic Pin (grey) x1
- 1 x 1 Red Technic Wheel x1
- 1 x 2 Technic Pin (black) x2
- 1 x 1 Technic Pin (red) x1

22

- 1 x 20 Technic Beam (grey) x1
- 1 x 10 Technic Beam (grey) x1
- 1 x 5 Technic Beam (grey) x1
- 1 x 1 Technic Pin (red) x1
- 1 x 1 Technic Pin (black) x1
- 1 x 1 Technic Pin (grey) x1
- 1 x 1 Technic Pin (black) x1
- 1 x 3 Technic Pin (grey) x3
- 1 x 7mm Technic Pin (yellow) x1
- 1 x 10mm Technic Pin (black) x2

23

- 1 x 20 Technic Beam (grey) x1
- 1 x 10 Technic Beam (grey) x1
- 1 x 5 Technic Beam (grey) x1
- 1 x 1 Technic Pin (red) x1
- 1 x 1 Technic Pin (black) x1
- 1 x 1 Technic Pin (grey) x1
- 1 x 1 Technic Pin (black) x1
- 1 x 3 Technic Pin (grey) x3
- 1 x 7mm Technic Pin (yellow) x1
- 1 x 10mm Technic Pin (black) x2

24



x2



x2



x2



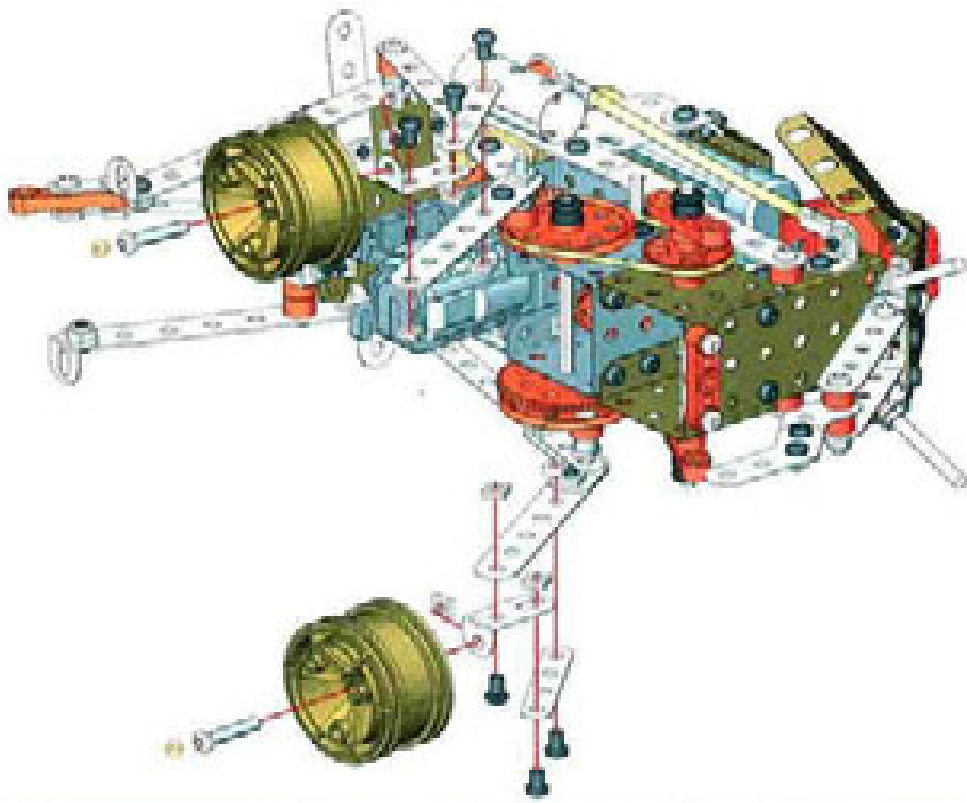
x8



x2



x6



25



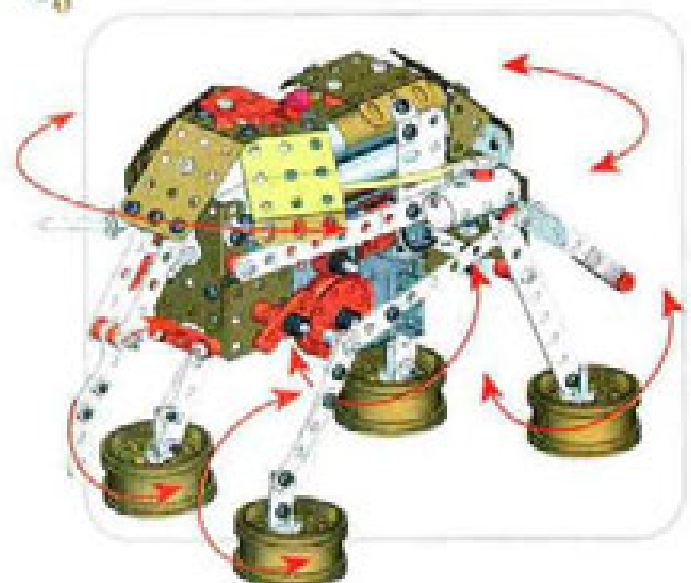
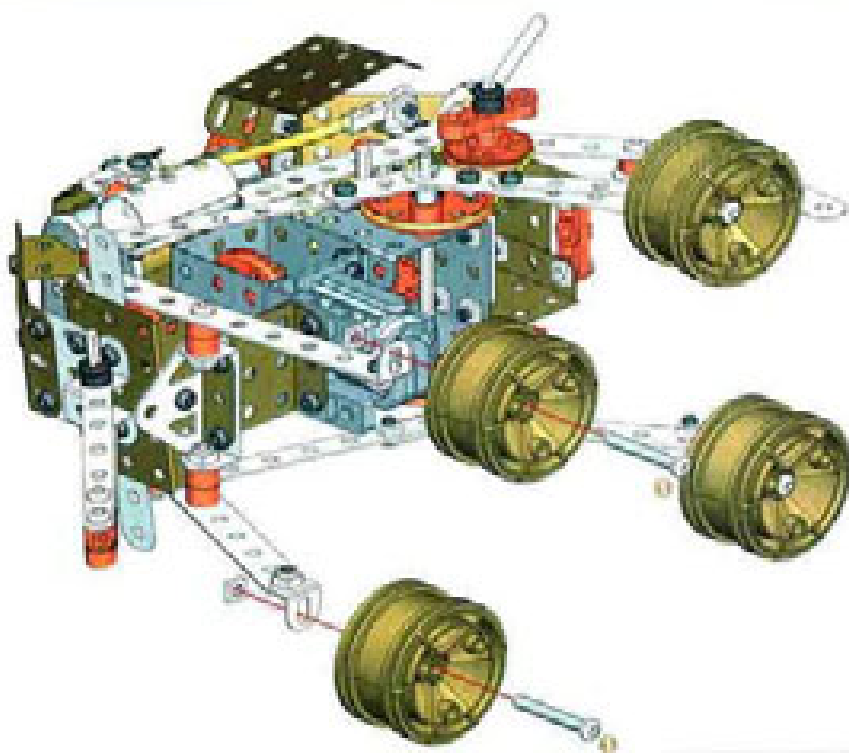
x2

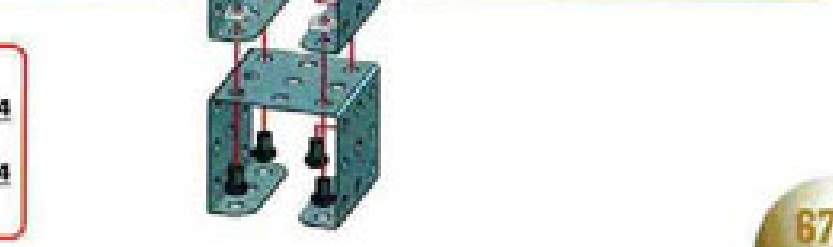
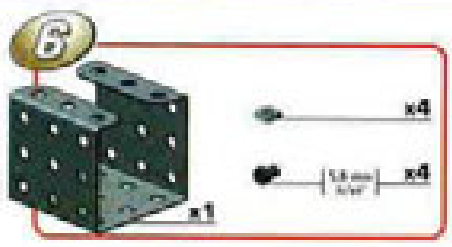
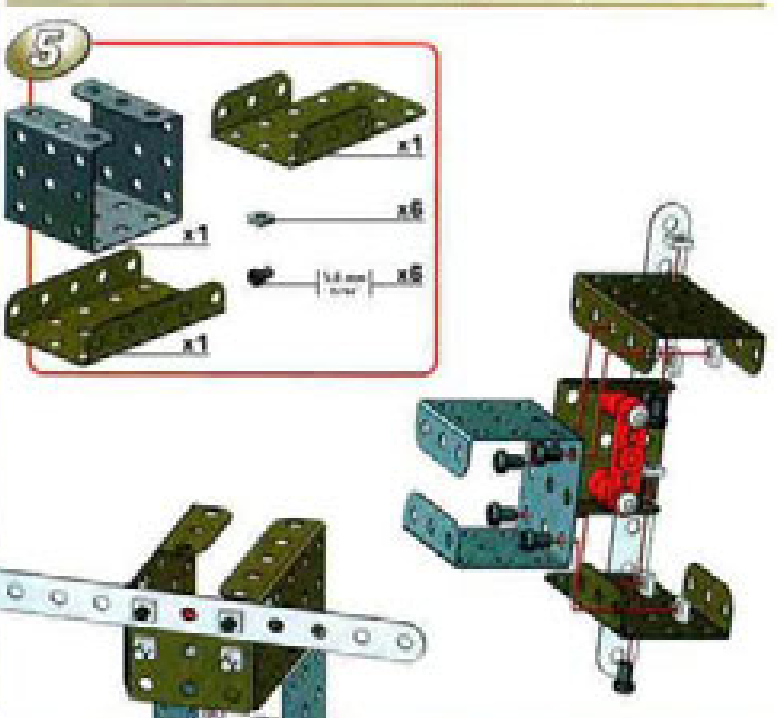
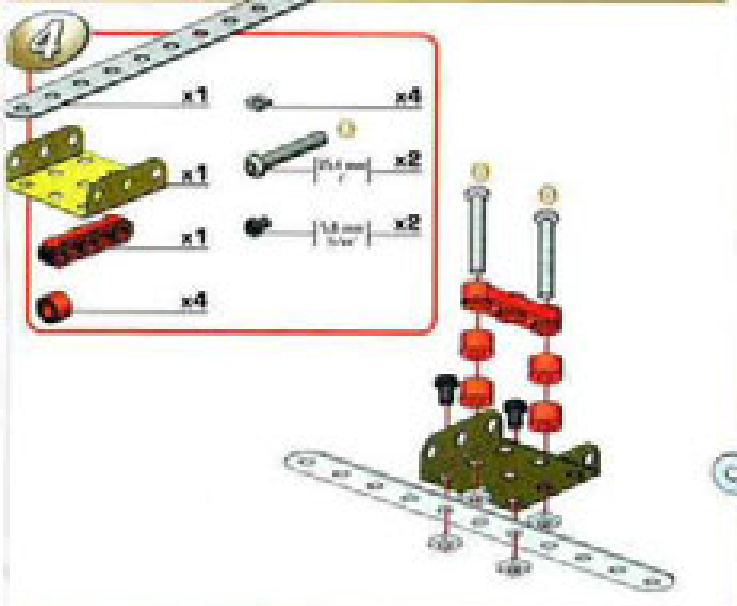
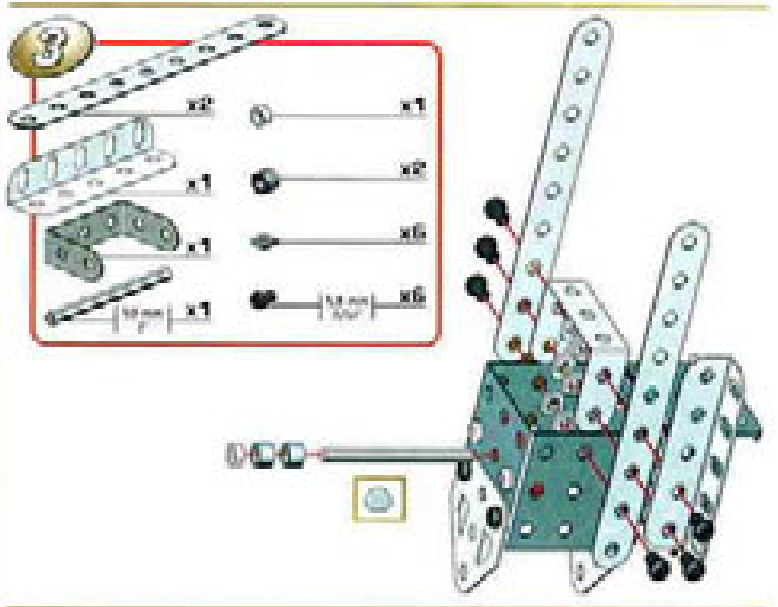
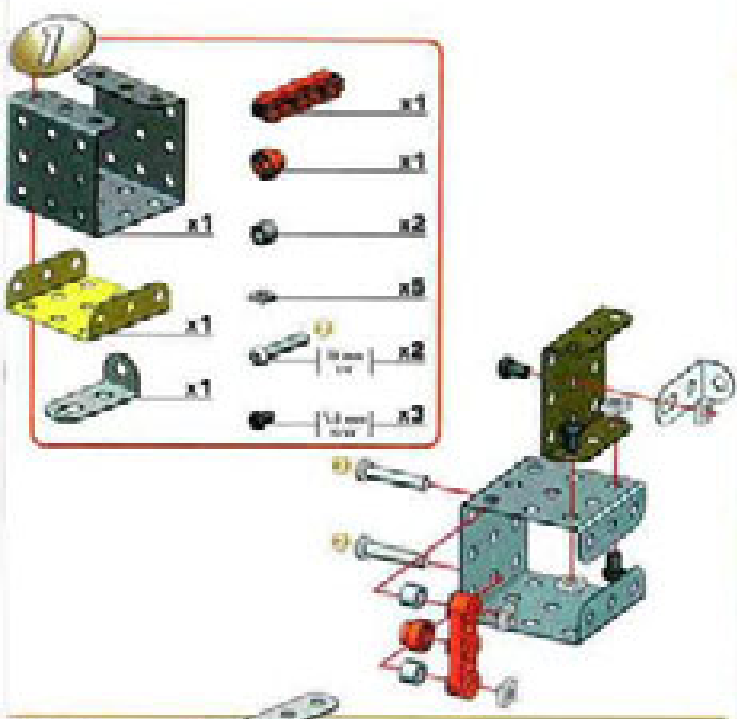
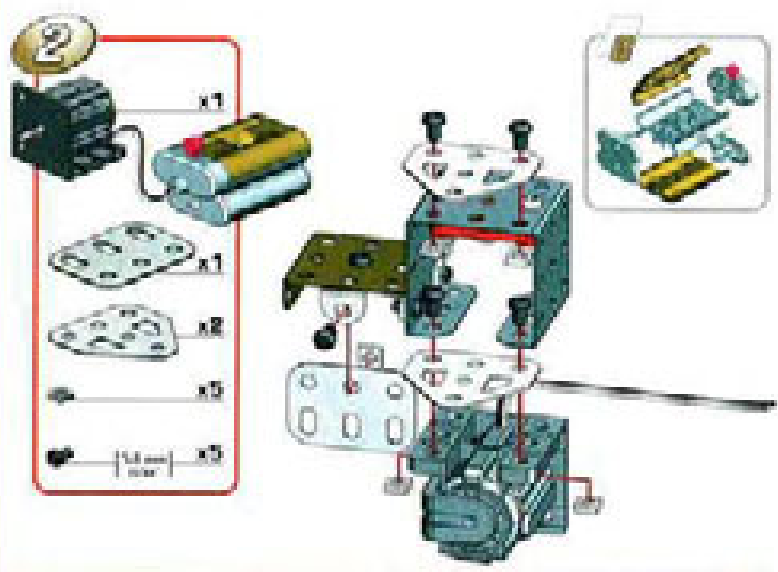


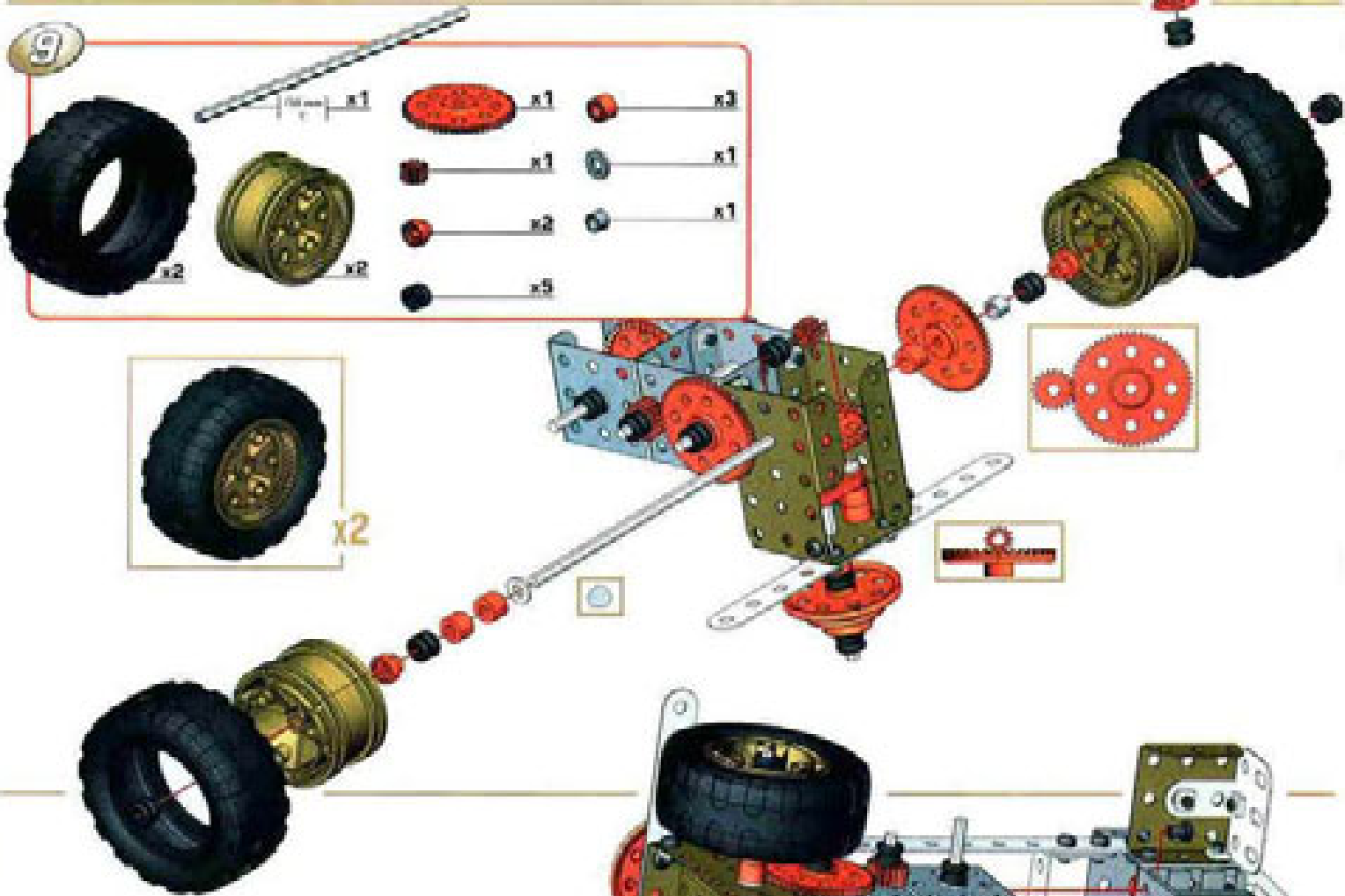
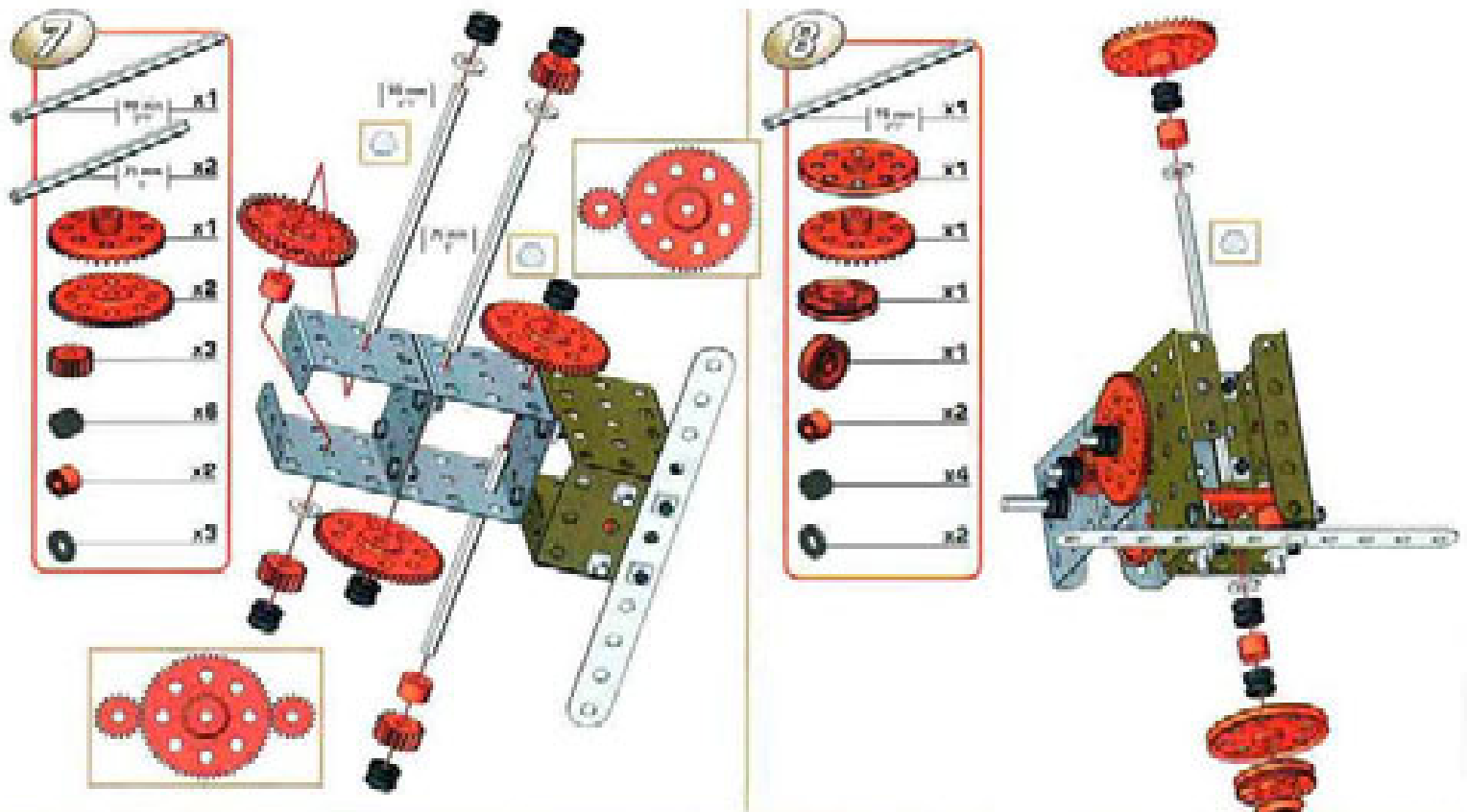
x2

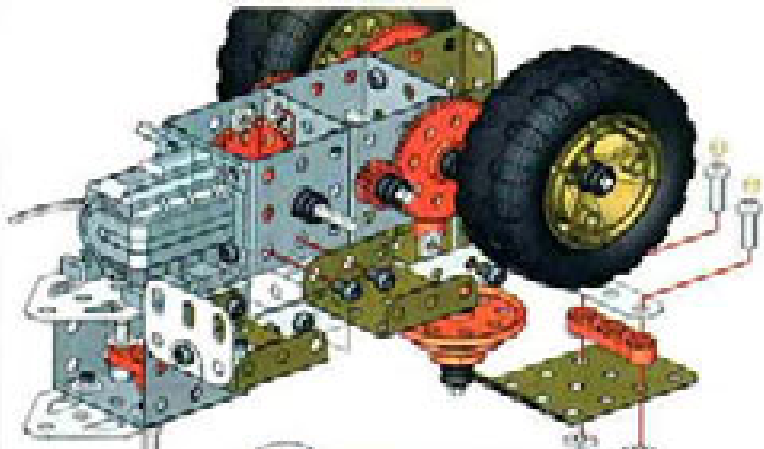


x2



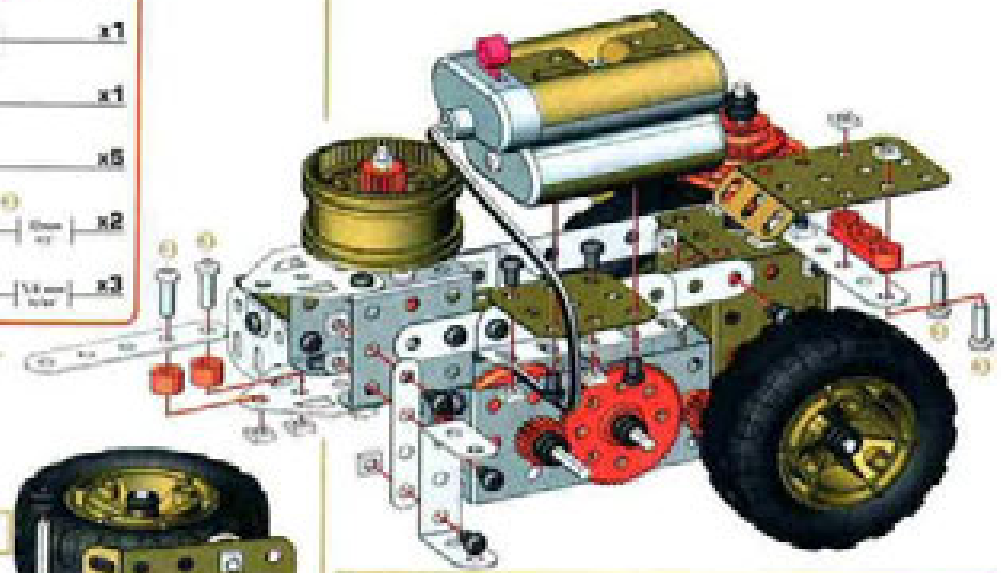




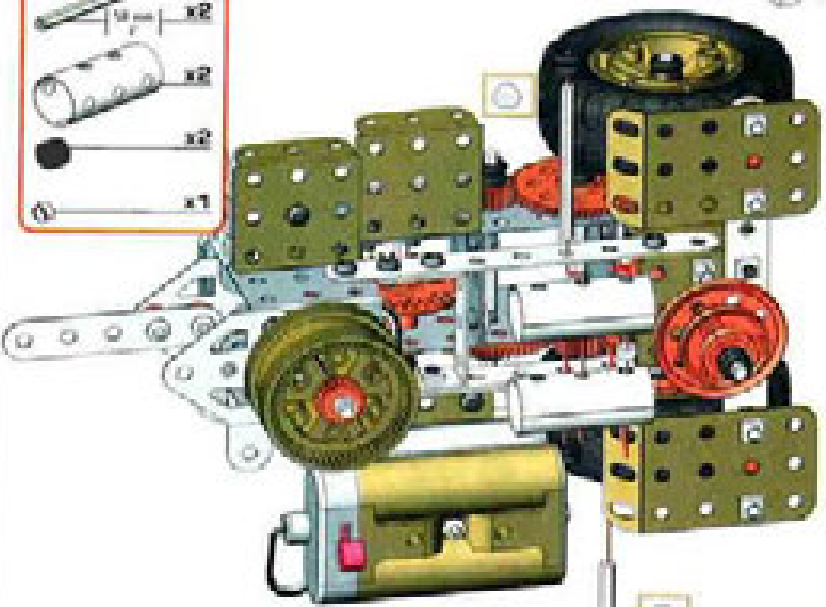


- 11**
- x1
 - x1
 - x1
 - x1
 - x1
 - x5
 - x1
 - x2
 - x2

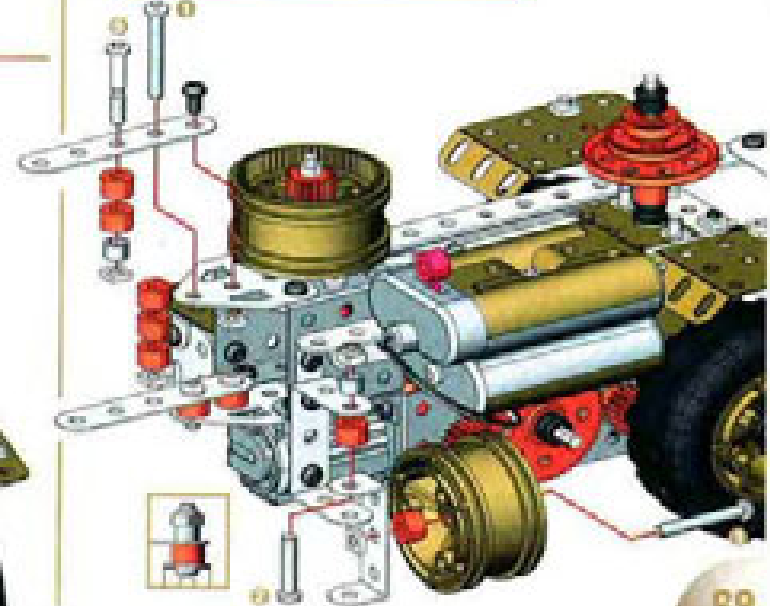
- 12**
- x1
 - x1
 - x1
 - x2
 - x10
 - x1
 - x1
 - x1
 - x5
 - x8



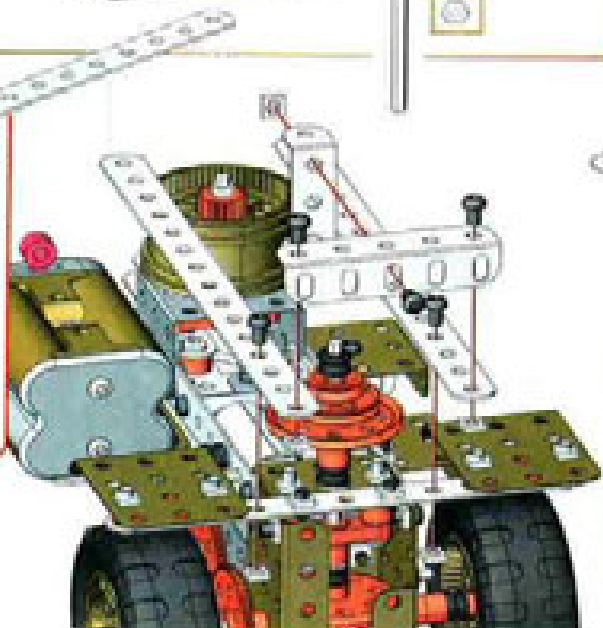
- 13**
- x2
 - x2
 - x2
 - x1



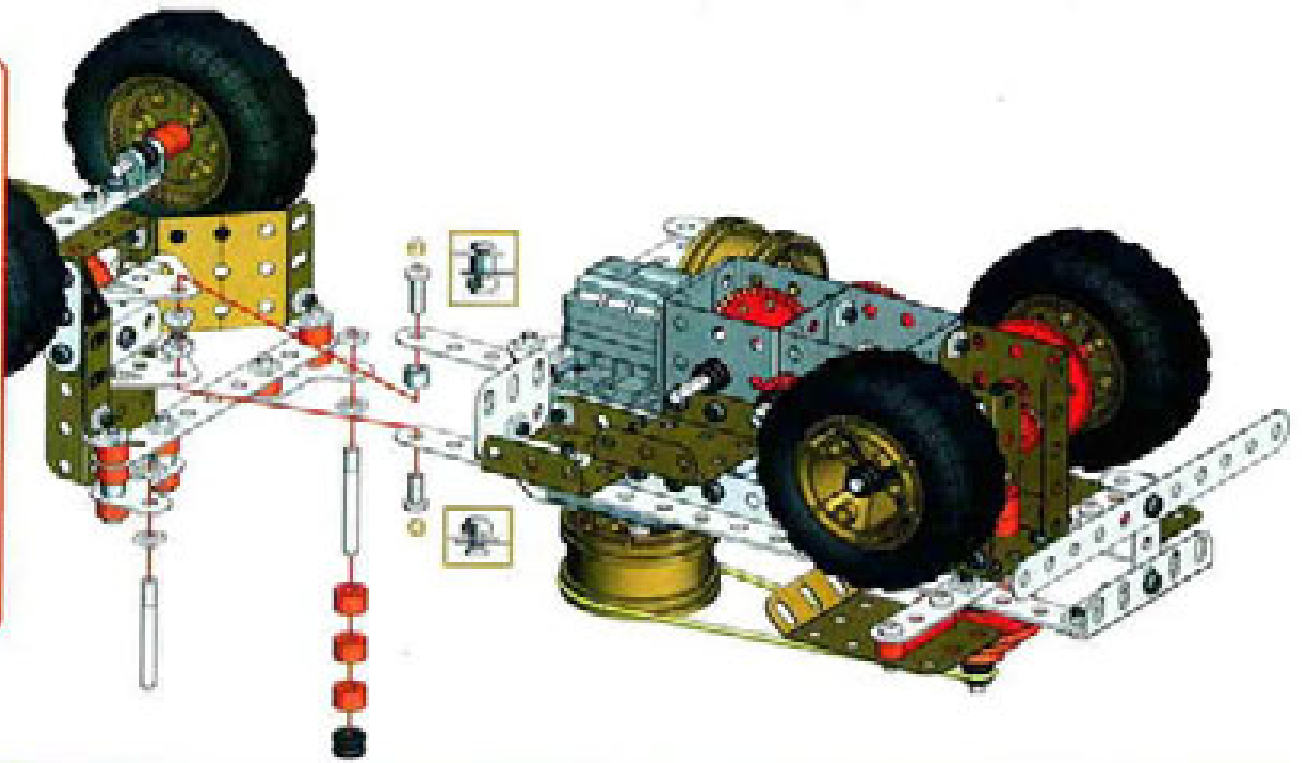
- 15**
- x1
 - x2
 - x1
 - x1
 - x8
 - x1
 - x1
 - x7
 - x1
 - x1
 - x1











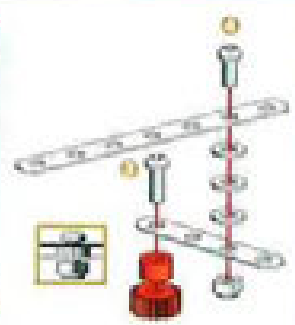
- 14**
- x2
 - x1
 - x1
 - x5
 - x5








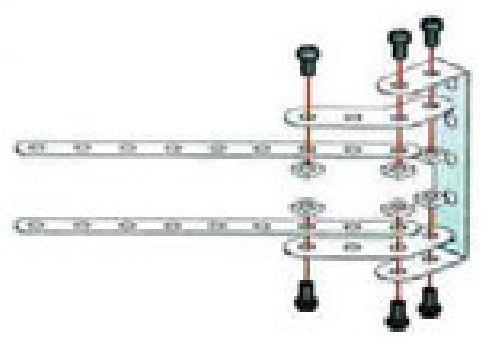
- 21**
-  x1
 -  x3
 -  x2
 -  x1
 -  x4
 -  x2
 -  x1
 -  x1



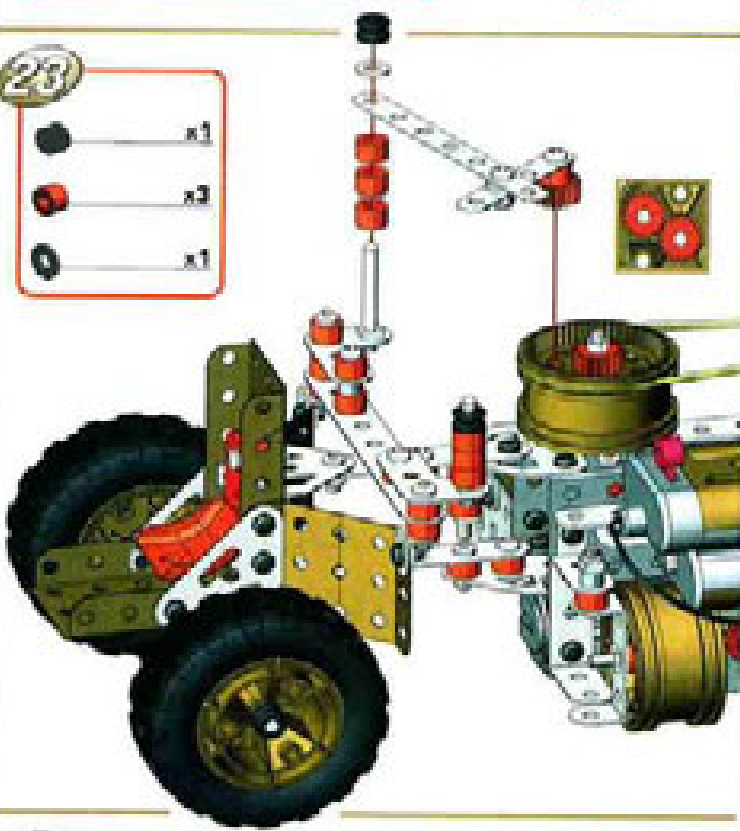
- 22**
-  x1
 -  x1
 -  x1
 -  x1
 -  x2
 -  x1
 -  x1
 -  x1



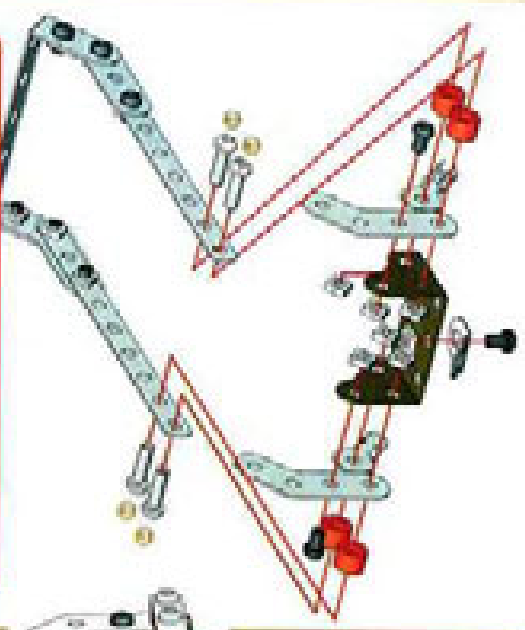
- 25**
-  x2
 -  x1
 -  x2
 -  x6
 -  x8



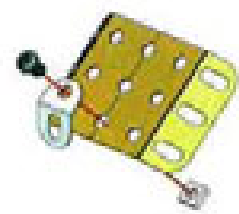
- 23**
-  x1
 -  x2
 -  x1





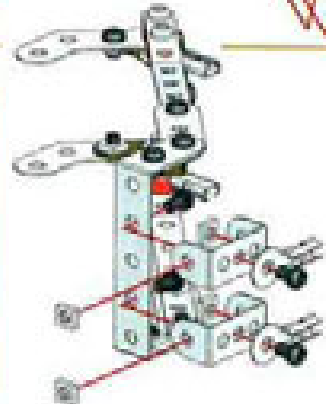
- 26**
-  x1
 -  x2
 -  x2
 -  x1
 -  x4
 -  x7
 -  x4
 -  x3

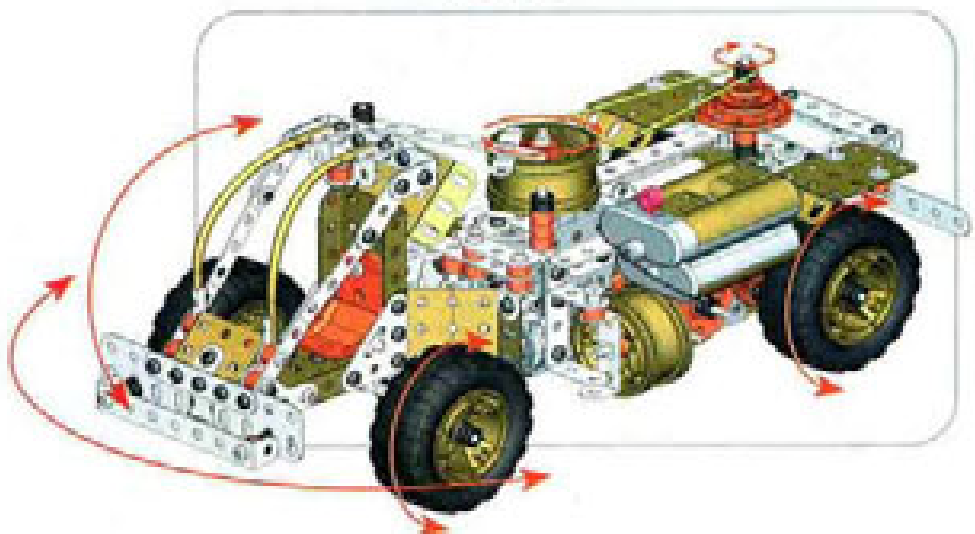
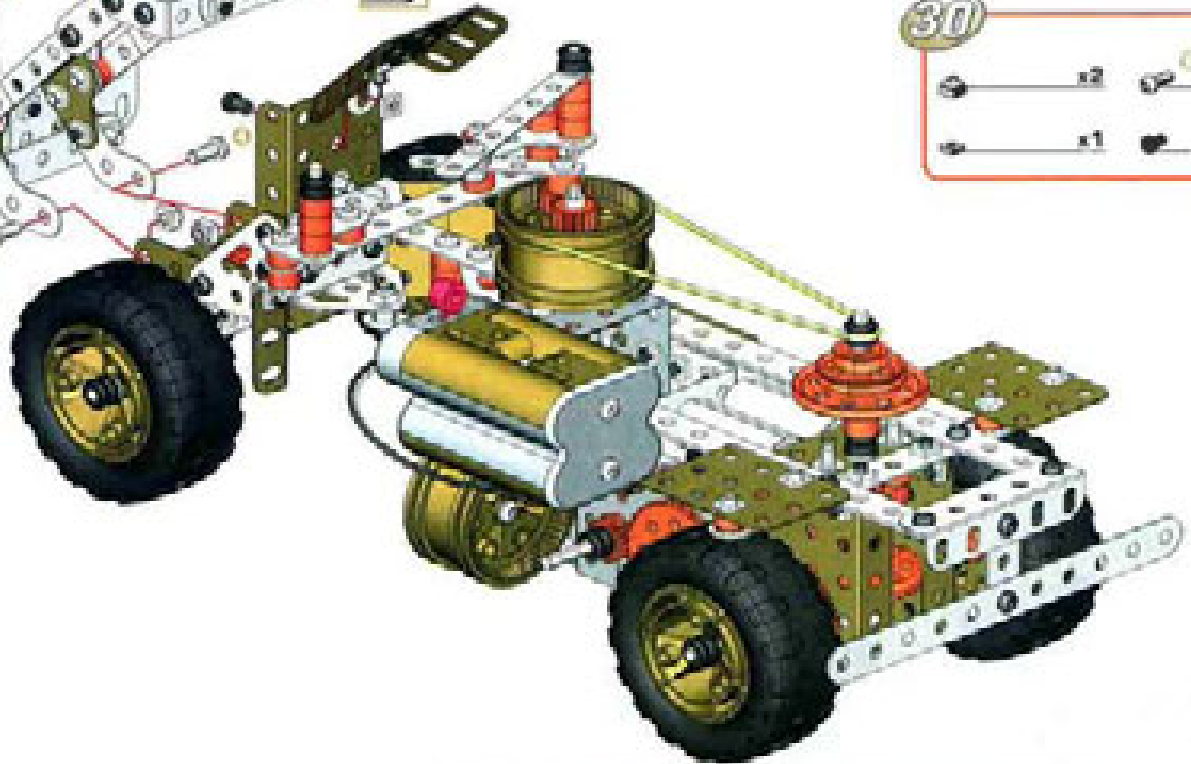
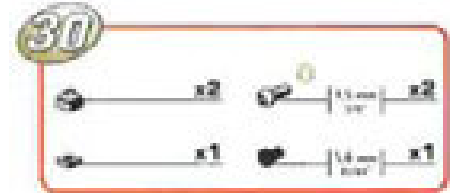
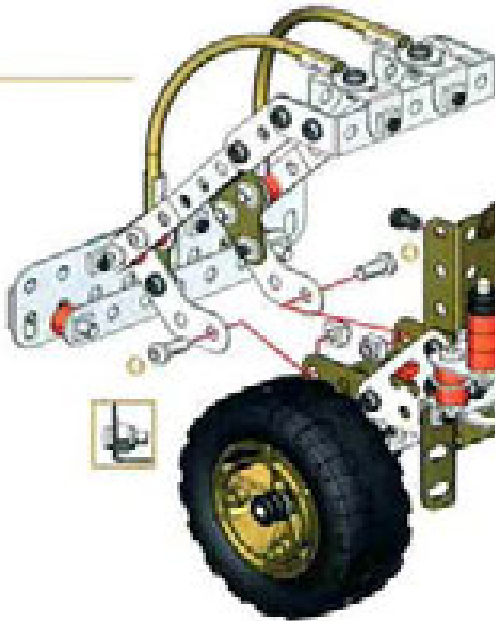
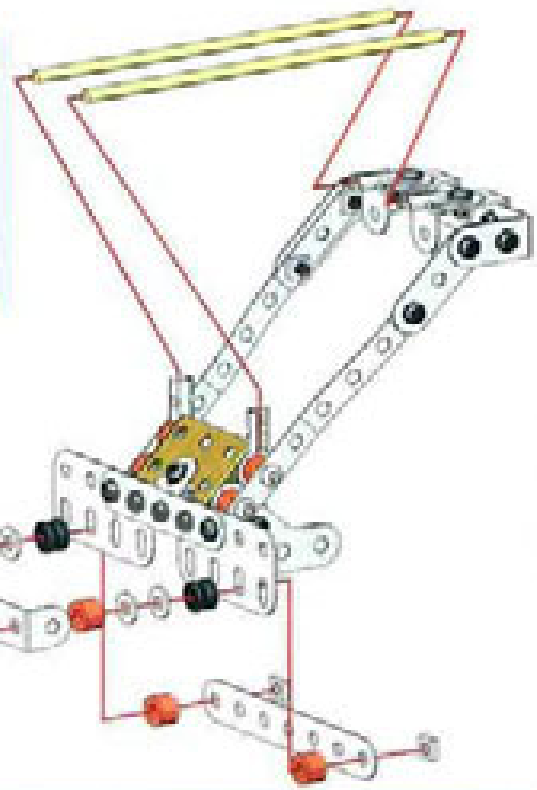
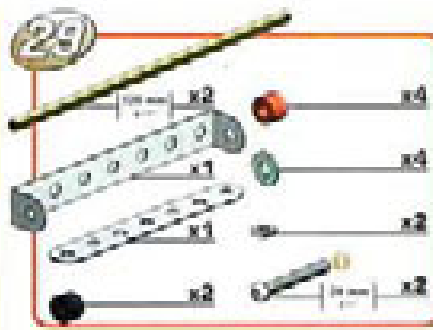
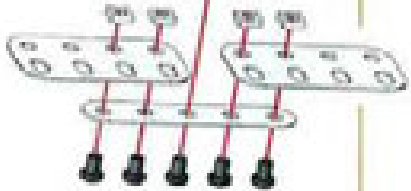


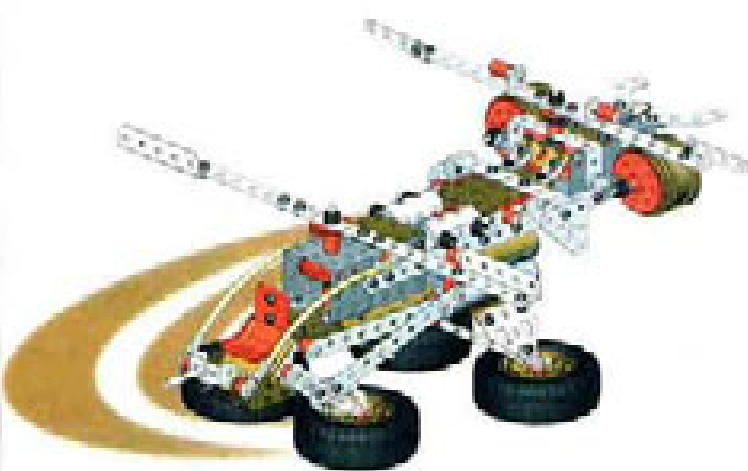
- 24**
-  x1
 -  x1
 -  x1
 -  x1



- 27**
-  x2
 -  x2
 -  x4
 -  x4







7

- 1x20 Technic Beam (white)
- 2x2 Technic Connector (dark grey) x2
- 1x3 Technic Connector (yellow)
- 1x2 Technic Pin (black) x4
- 1x2 Technic Pin (grey) x8
- 1x2 Technic Pin (black) x2

2

- 1x3 Technic Beam (white) x1
- 1x2 Technic Pin (black) x2
- 1x2 Technic Pin (grey) x2
- 1x2 Technic Pin (black) x2

3

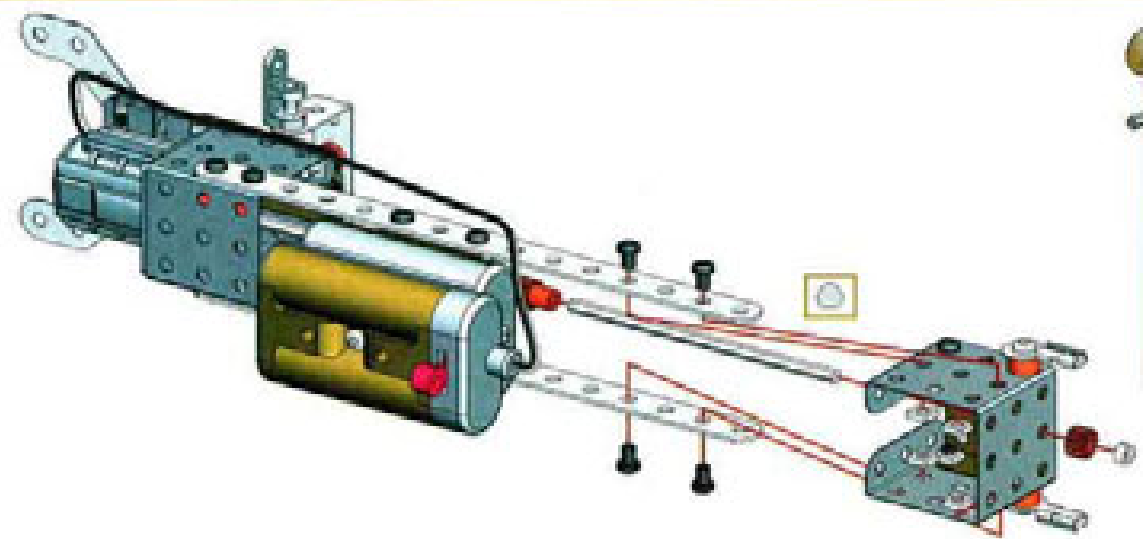
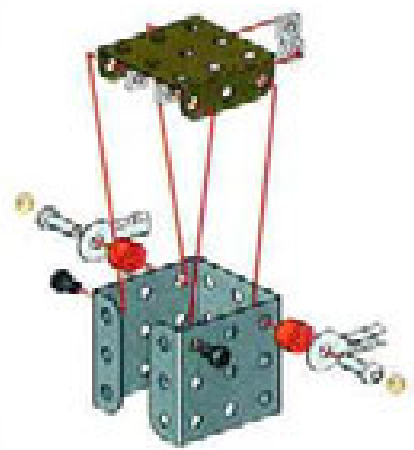
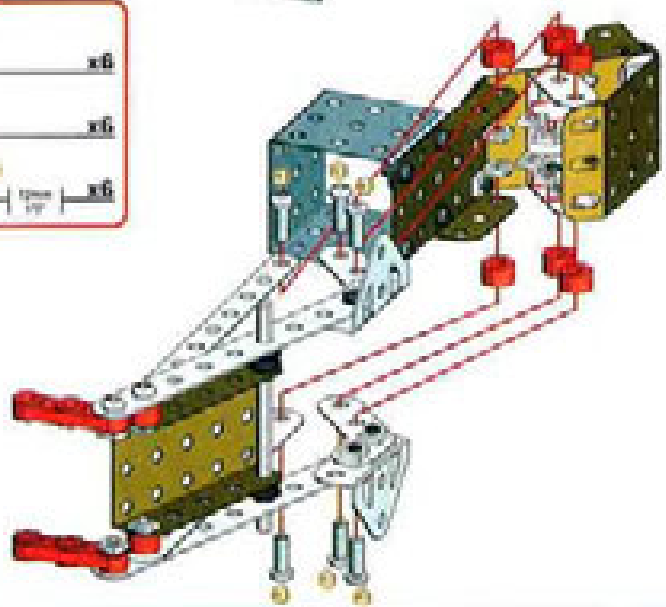
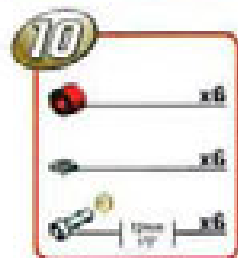
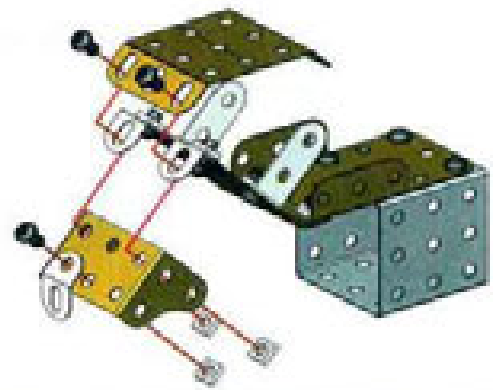
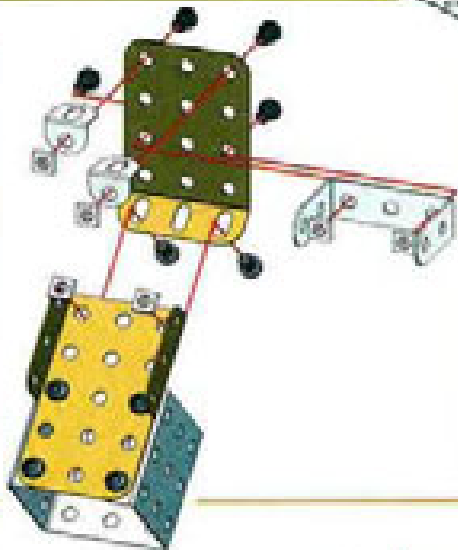
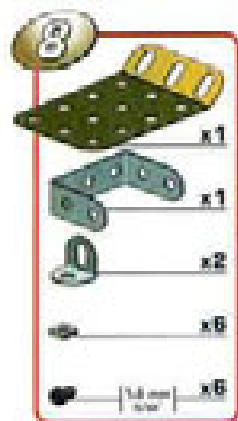
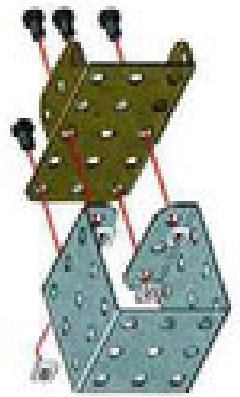
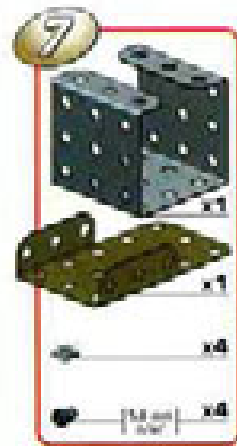
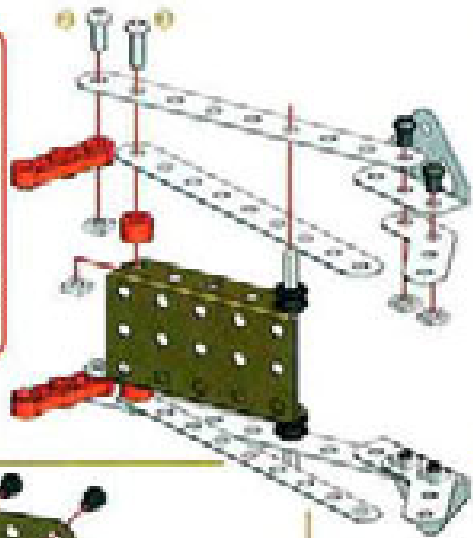
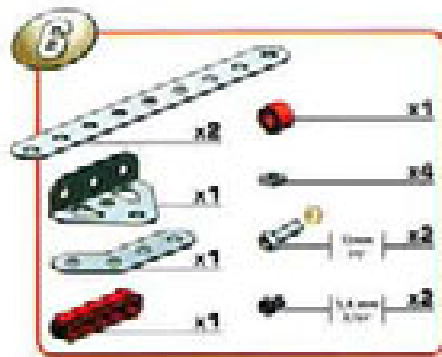
- 1x20 Technic Beam (white) x1
- 1x3 Technic Connector (yellow) x1
- 1x2 Technic Pin (black) x2
- 1x2 Technic Pin (grey) x2
- 1x2 Technic Pin (black) x8
- 1x2 Technic Pin (black) x2
- 1x2 Technic Pin (black) x6

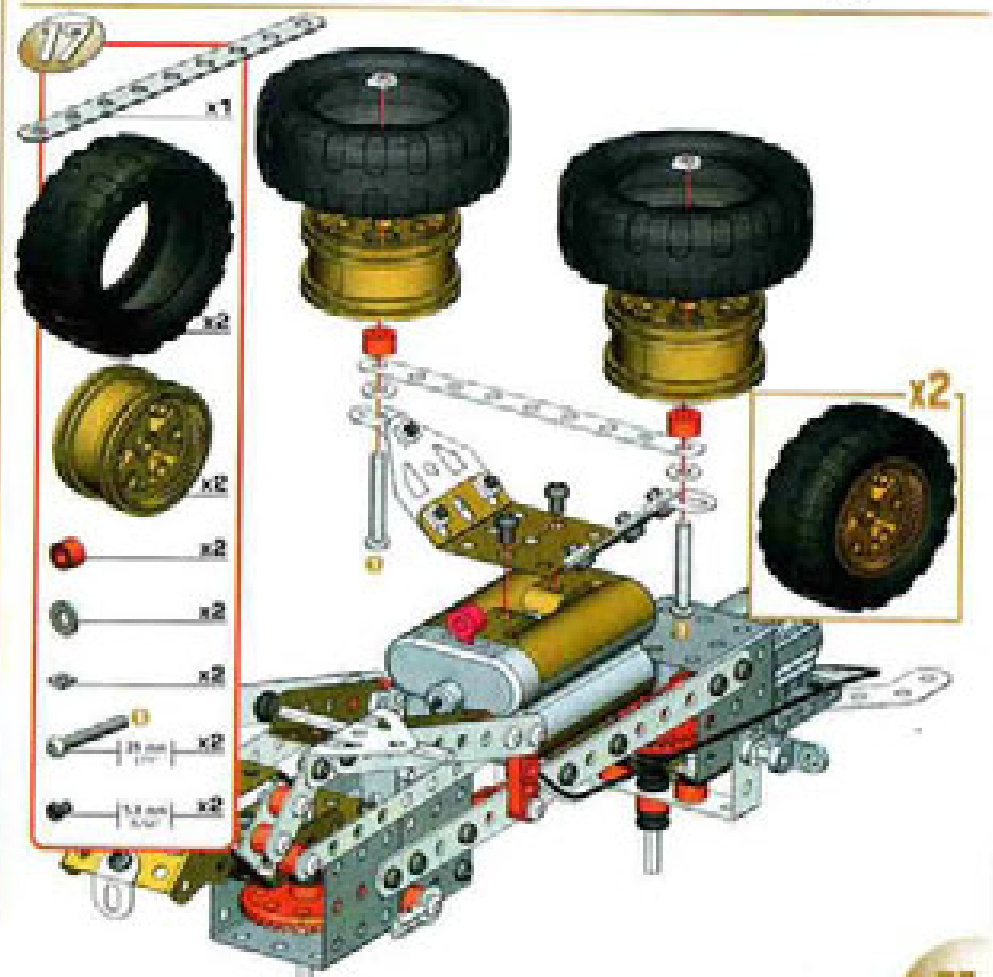
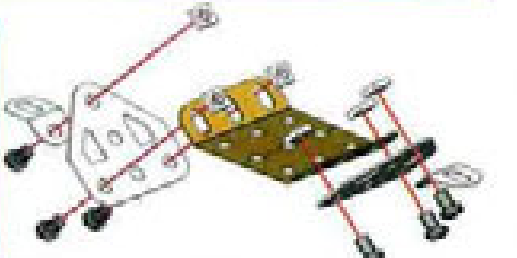
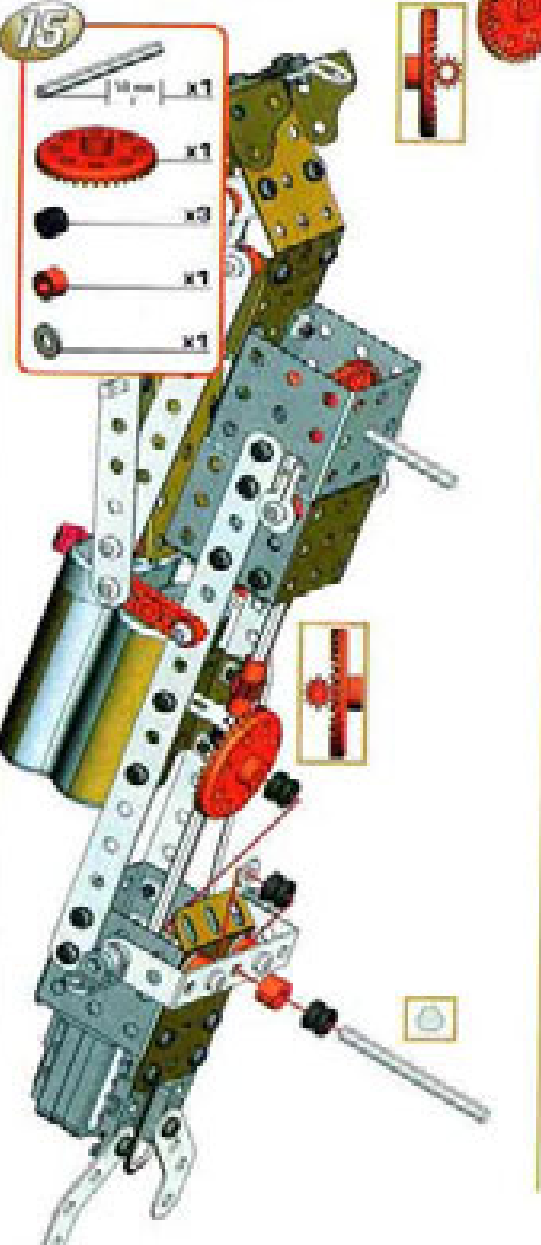
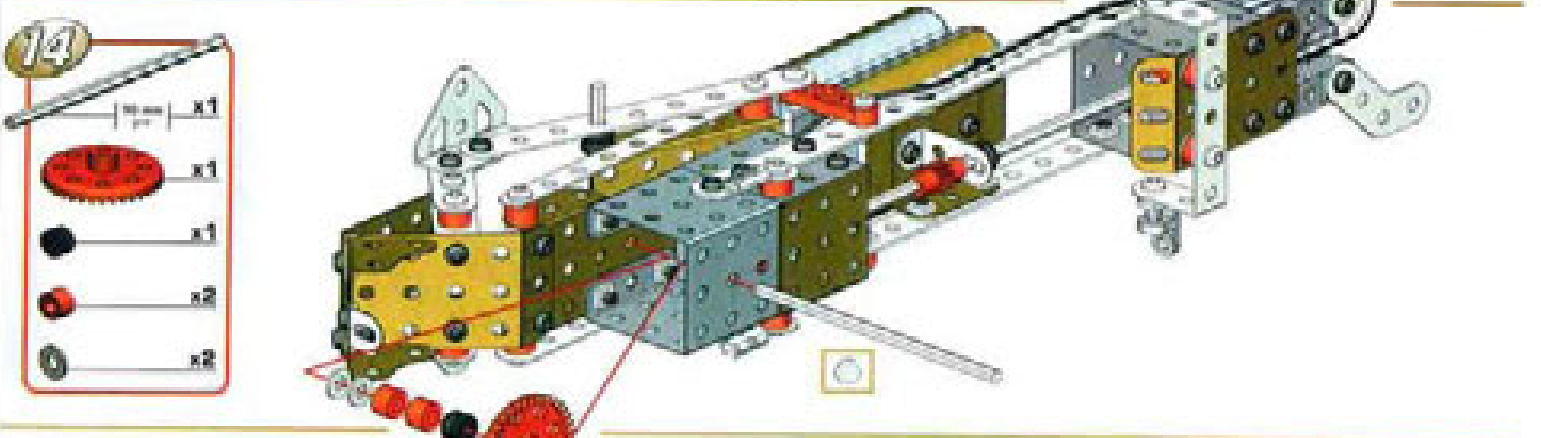
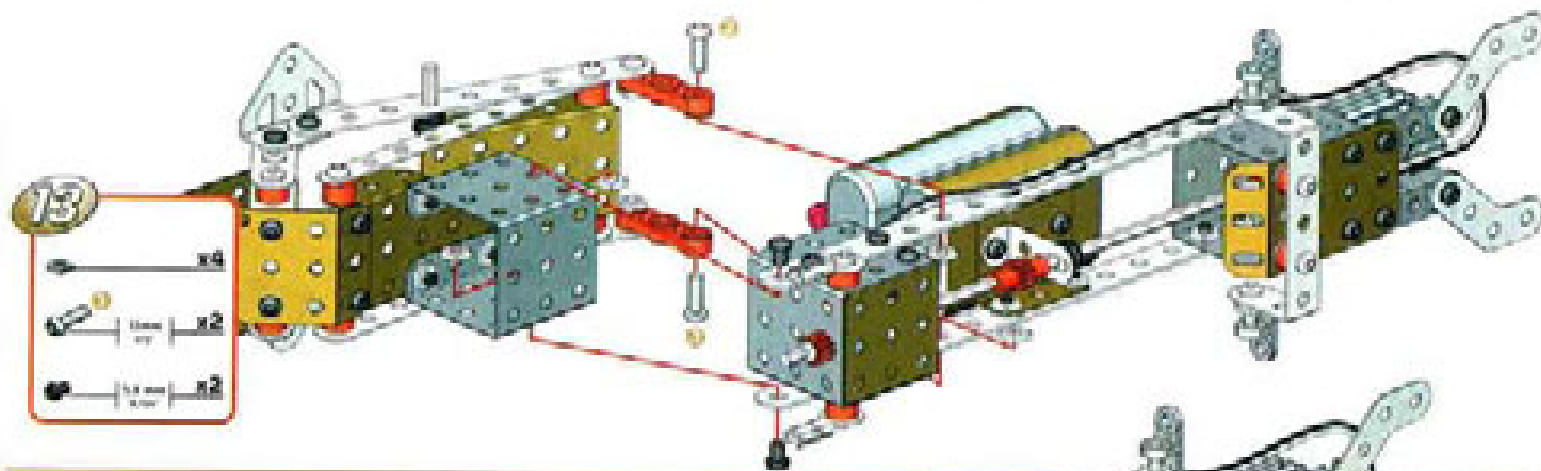
4

- 1x20 Technic Beam (white) x1
- 1x2 Technic Pin (black) x1
- 1x3 Technic Connector (yellow) x1
- 1x2 Technic Pin (black) x1
- 1x2 Technic Pin (grey) x2
- 1x2 Technic Pin (black) x2

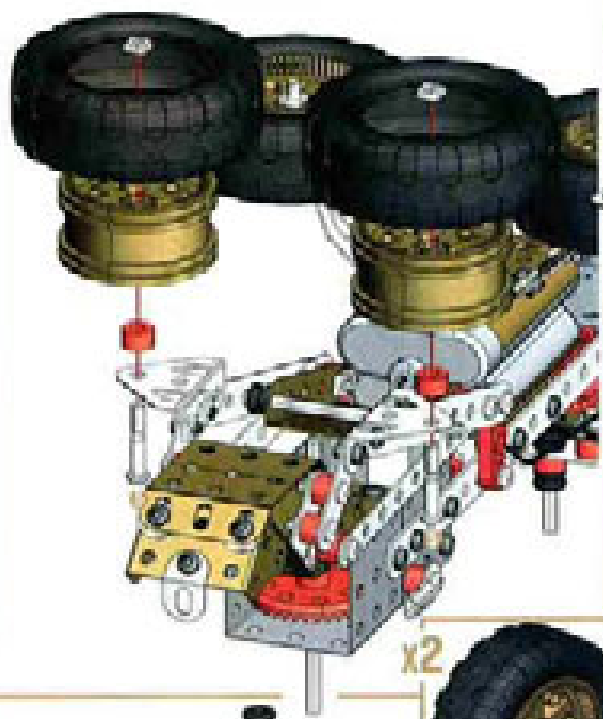
5

- 1x20 Technic Beam (white) x1
- 1x3 Technic Connector (yellow) x1
- 1x2 Technic Pin (black) x2
- 1x2 Technic Pin (grey) x1
- 1x2 Technic Pin (black) x4
- 1x2 Technic Pin (black) x1
- 1x2 Technic Pin (black) x1
- 1x2 Technic Pin (black) x2

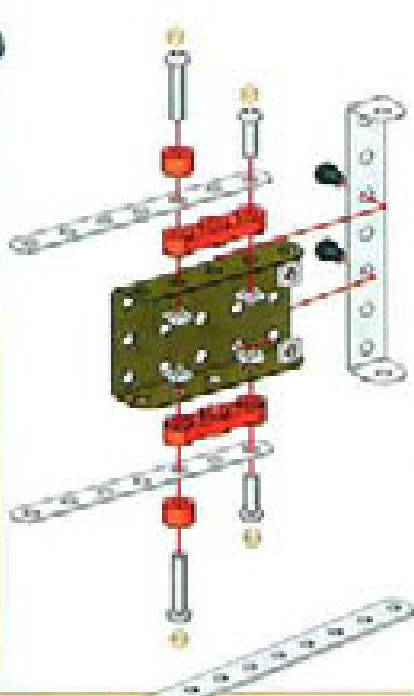




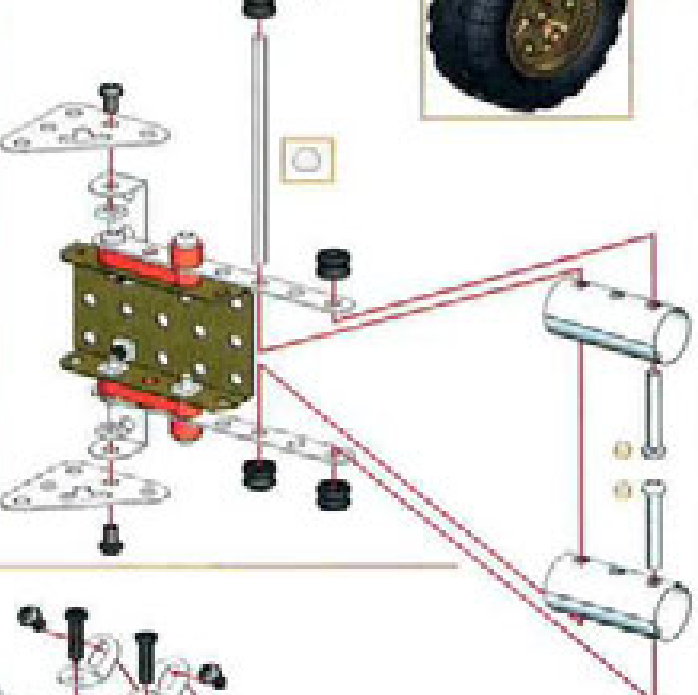
- 18**
- Tire x2
 - Wheel x2
 - Screw x2
 - Pin x2
 - Pin (1.5 mm hole) x2



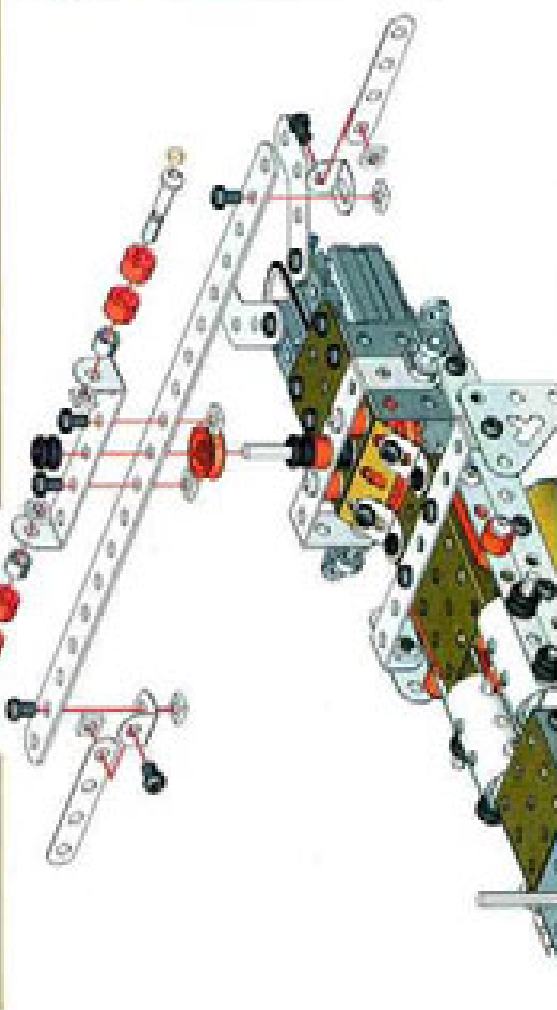
- 19**
- Beam x1
 - Beam x2
 - Bracket x1
 - Pin x2
 - Pin x2
 - Pin x6
 - Pin (1.5 mm hole) x2
 - Pin (1.5 mm hole) x2
 - Pin (1.5 mm hole) x2



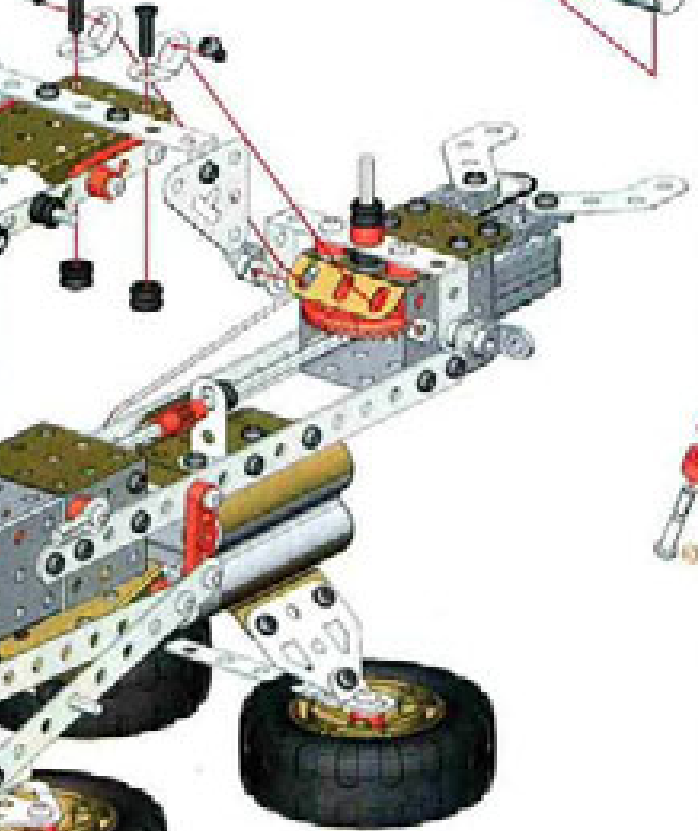
- 20**
- Pin (1.5 mm hole) x1
 - Bracket x2
 - Tube x2
 - Pin x4
 - Pin x2
 - Pin (1.5 mm hole) x2
 - Pin (1.5 mm hole) x2

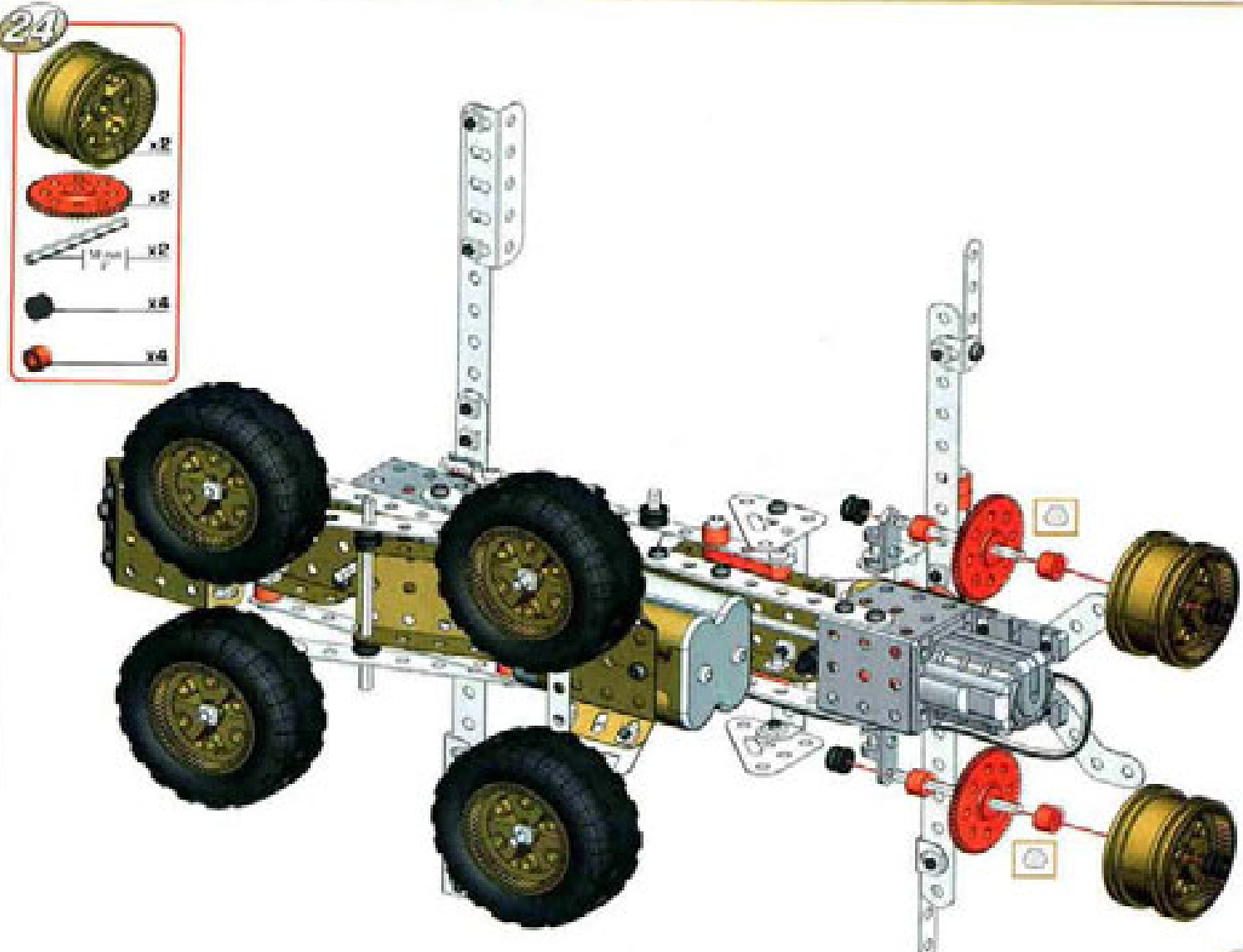
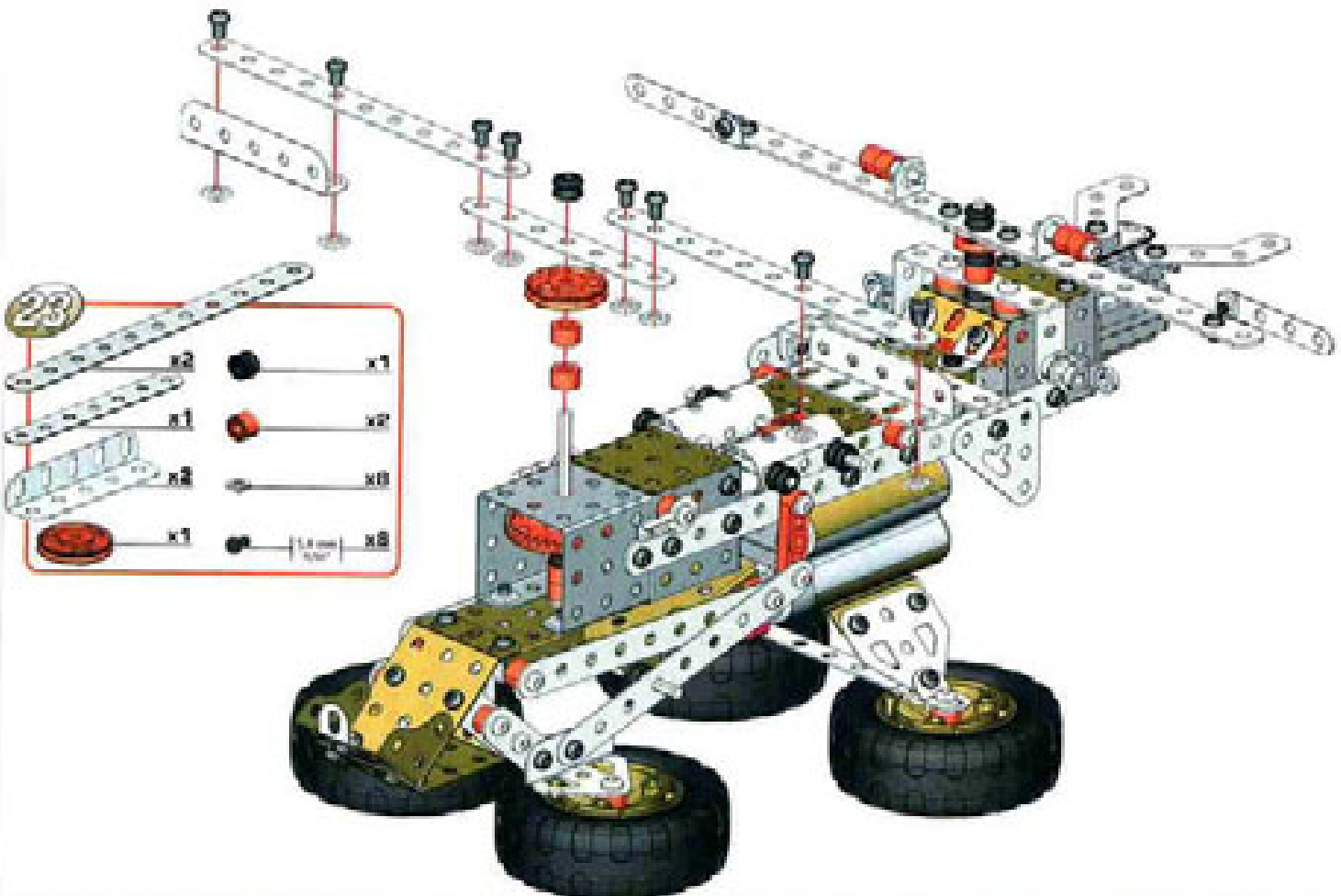


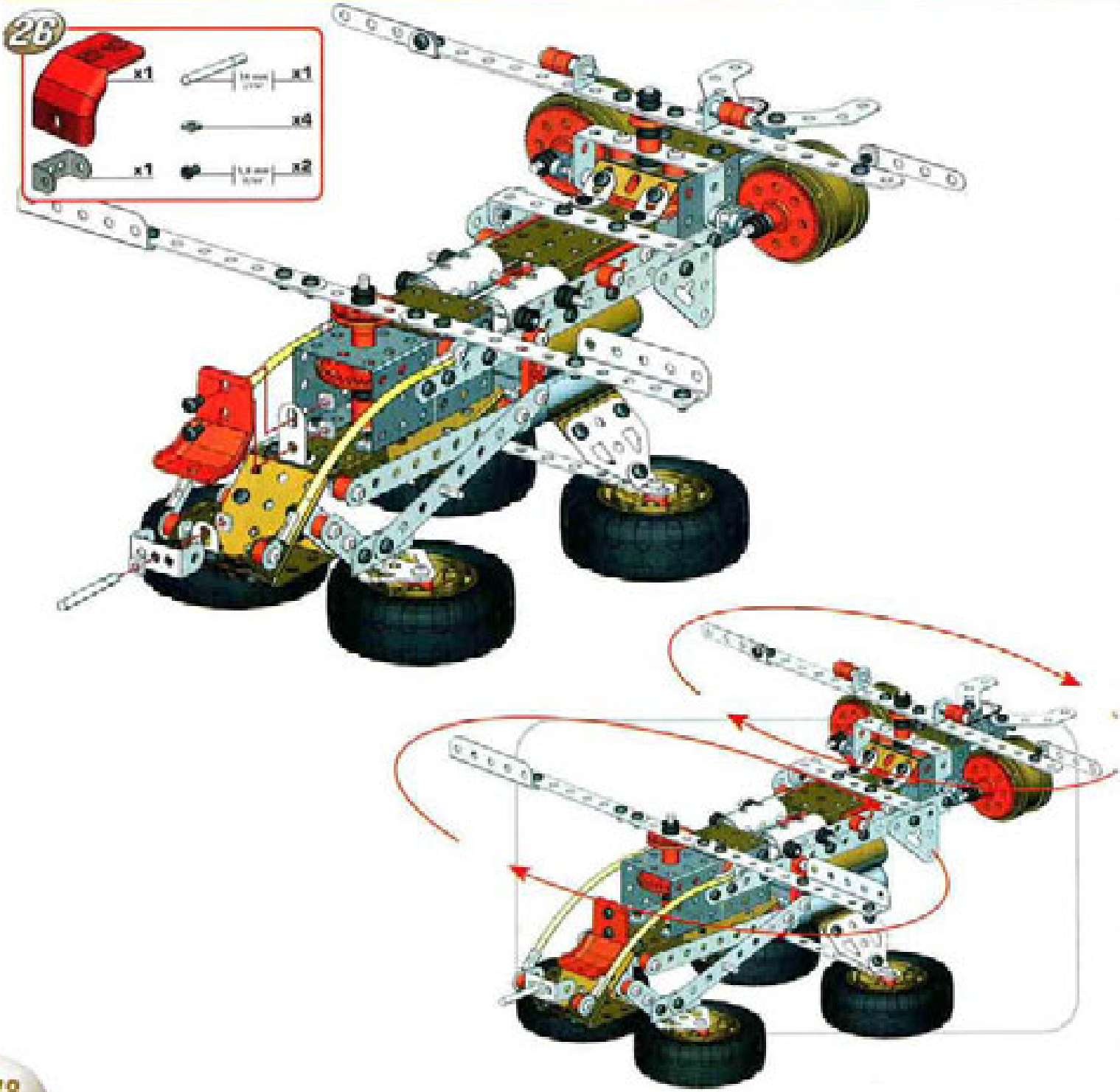
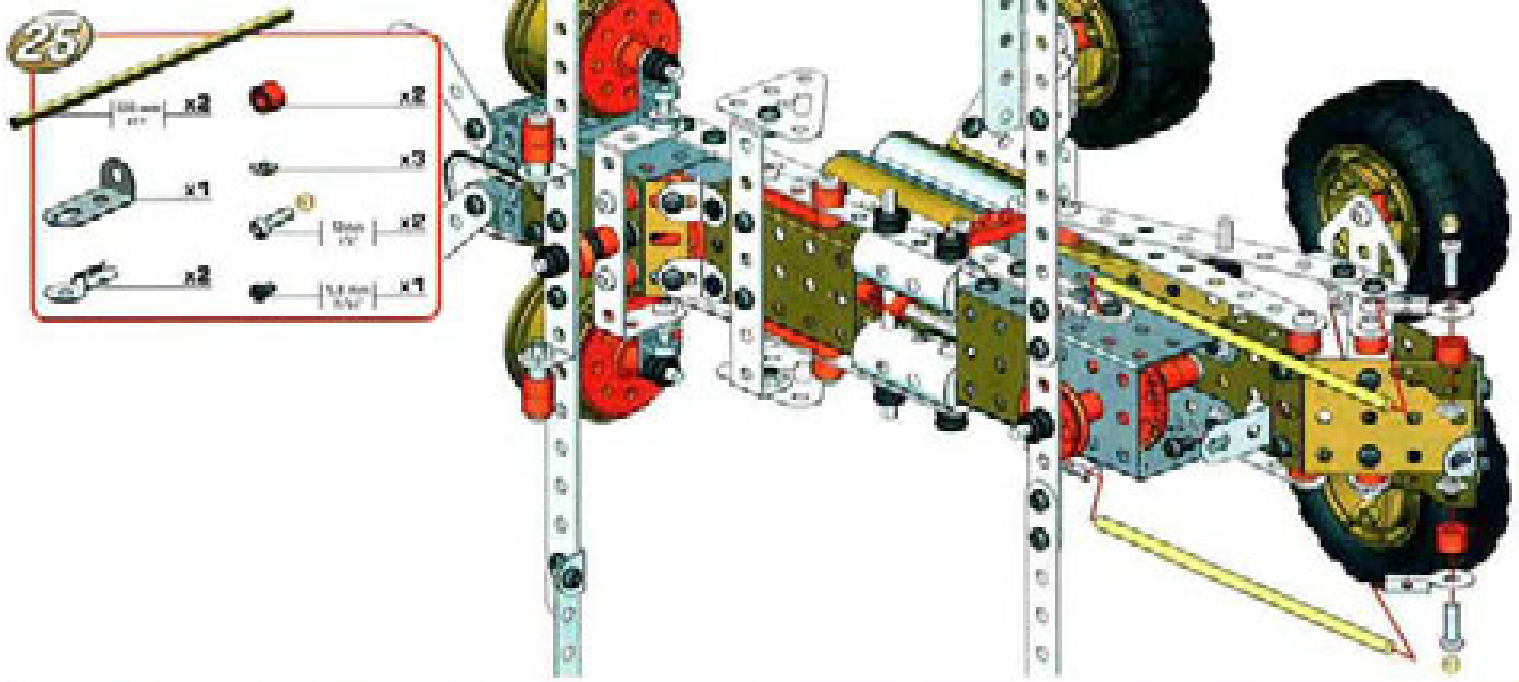
- 22**
- Beam x1
 - Bracket x1
 - Beam x2
 - Bracket x2
 - Pin x1
 - Pin x1
 - Screw x4
 - Pin x2
 - Pin x8
 - Pin (1.5 mm hole) x2
 - Pin (1.5 mm hole) x8

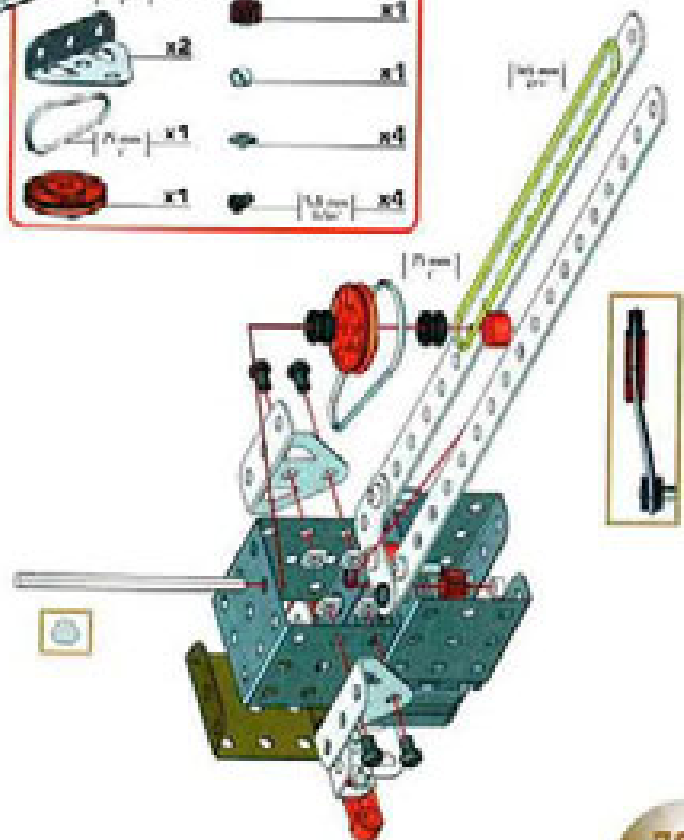
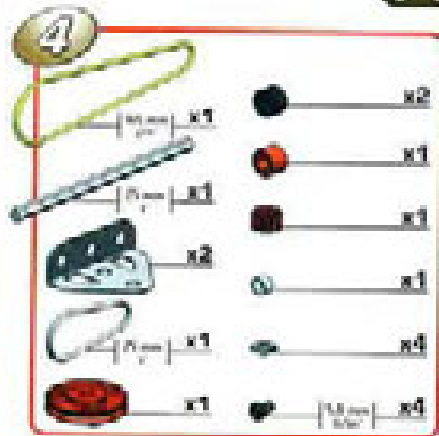
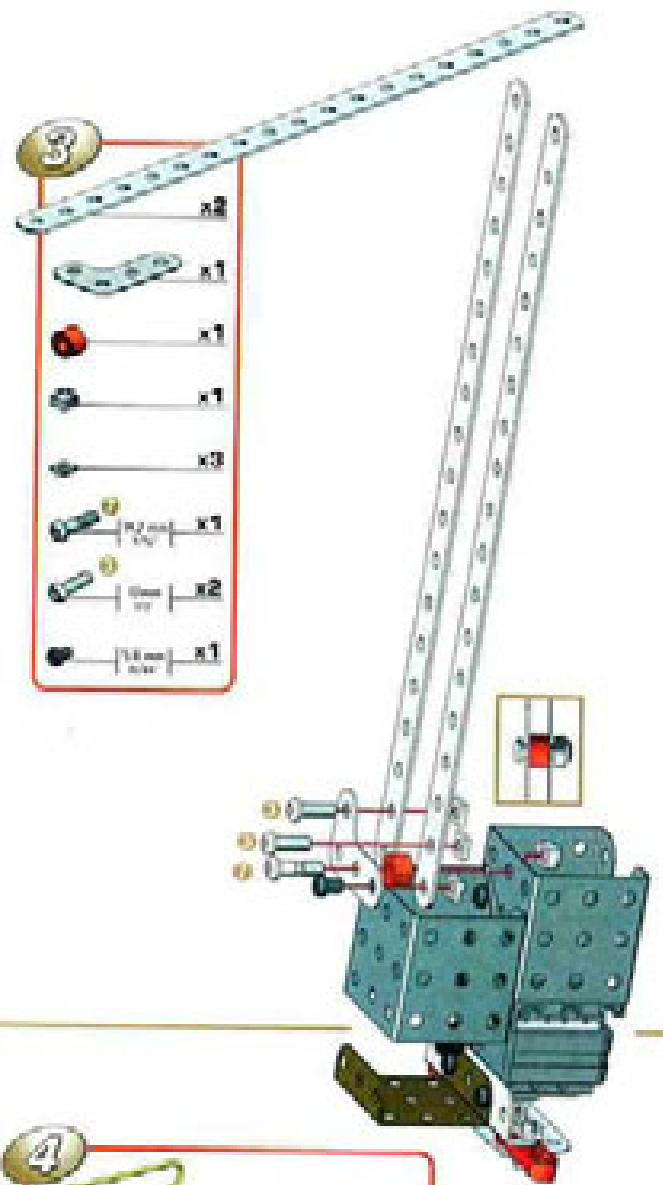
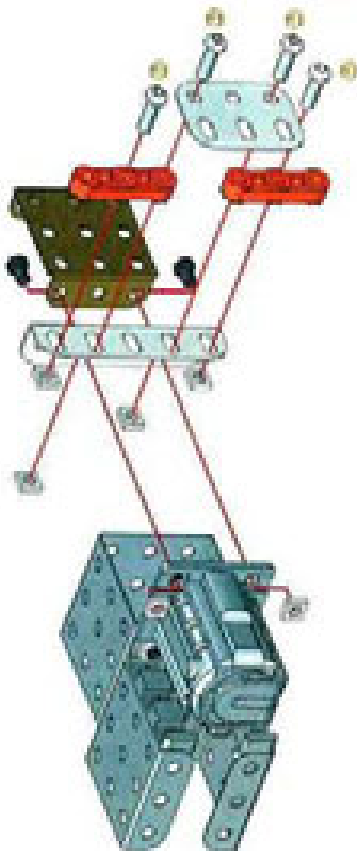
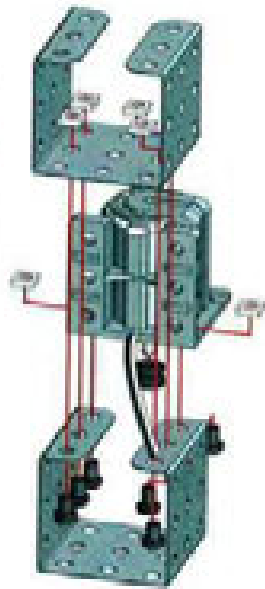
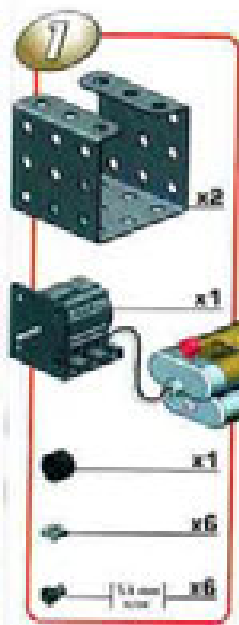


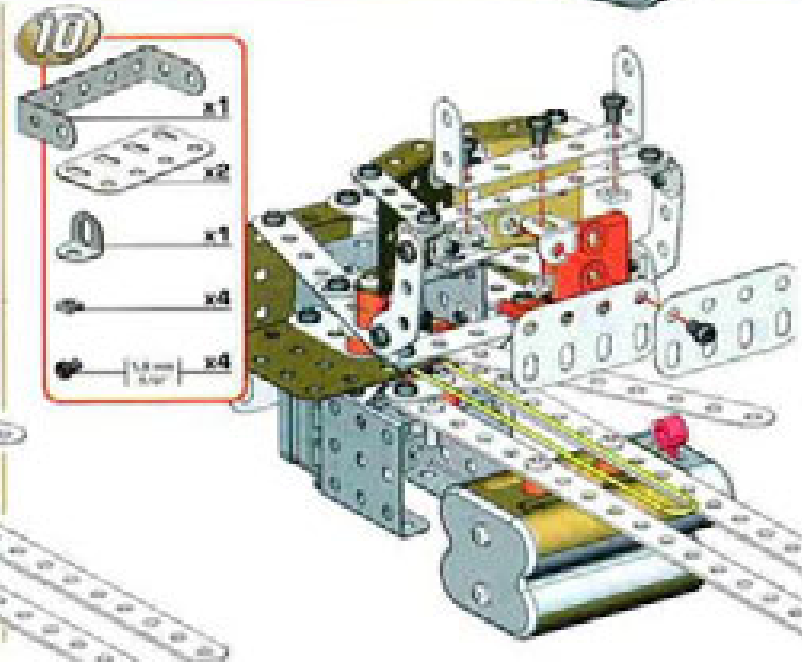
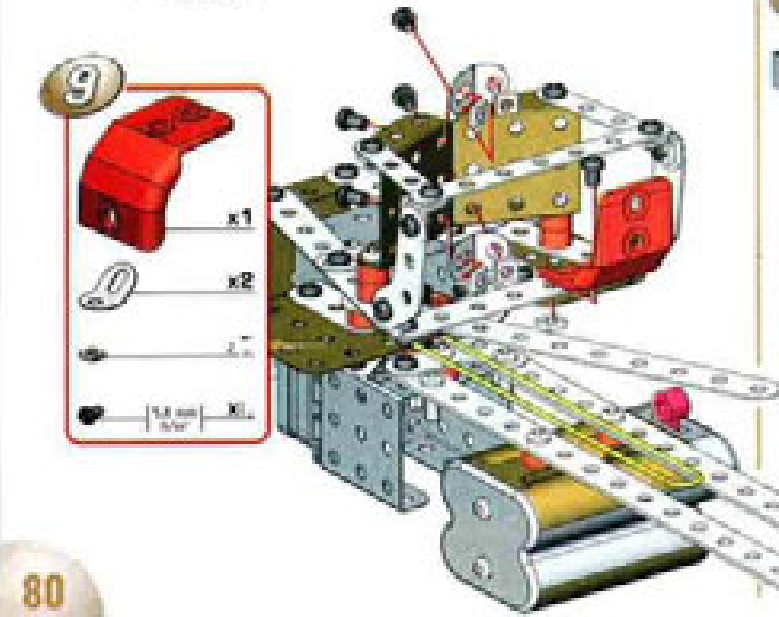
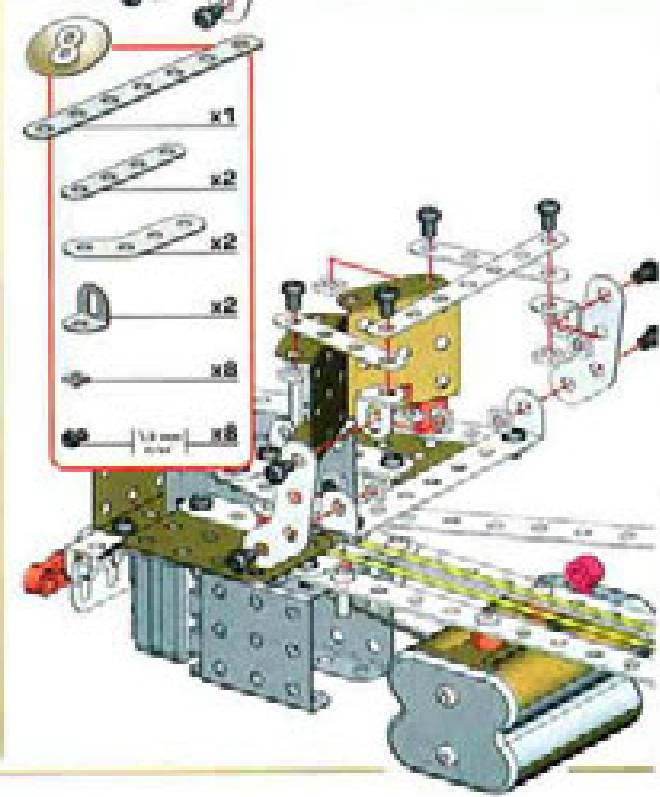
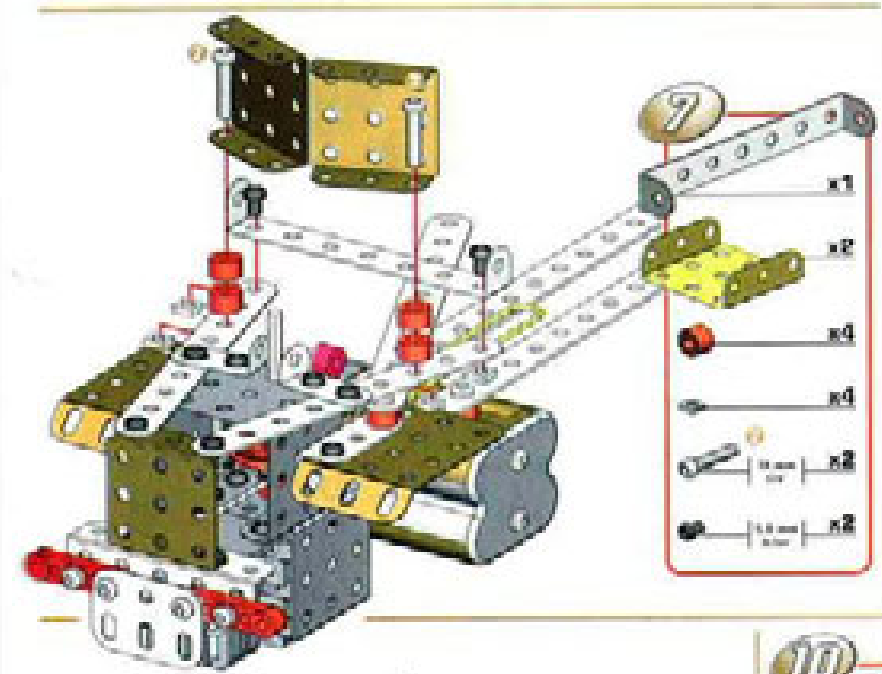
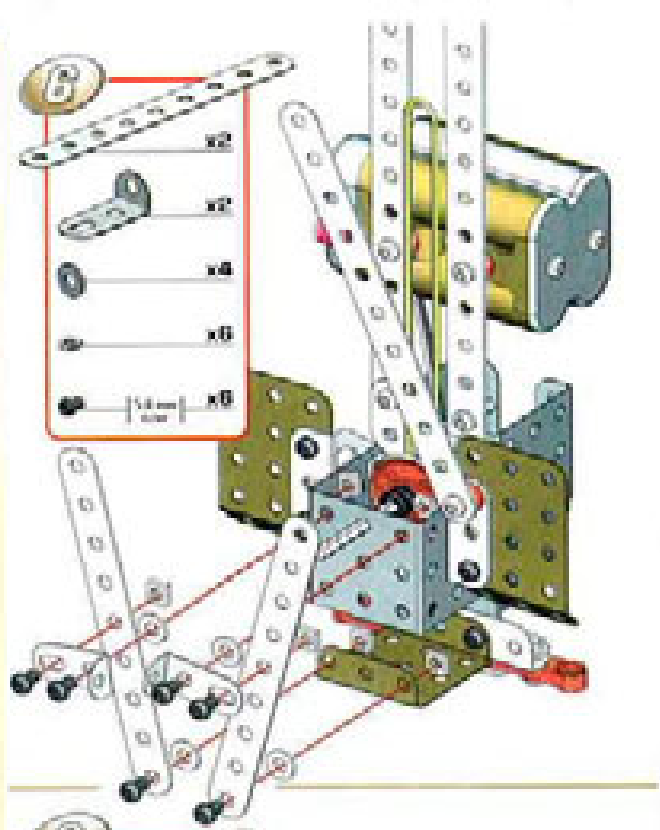
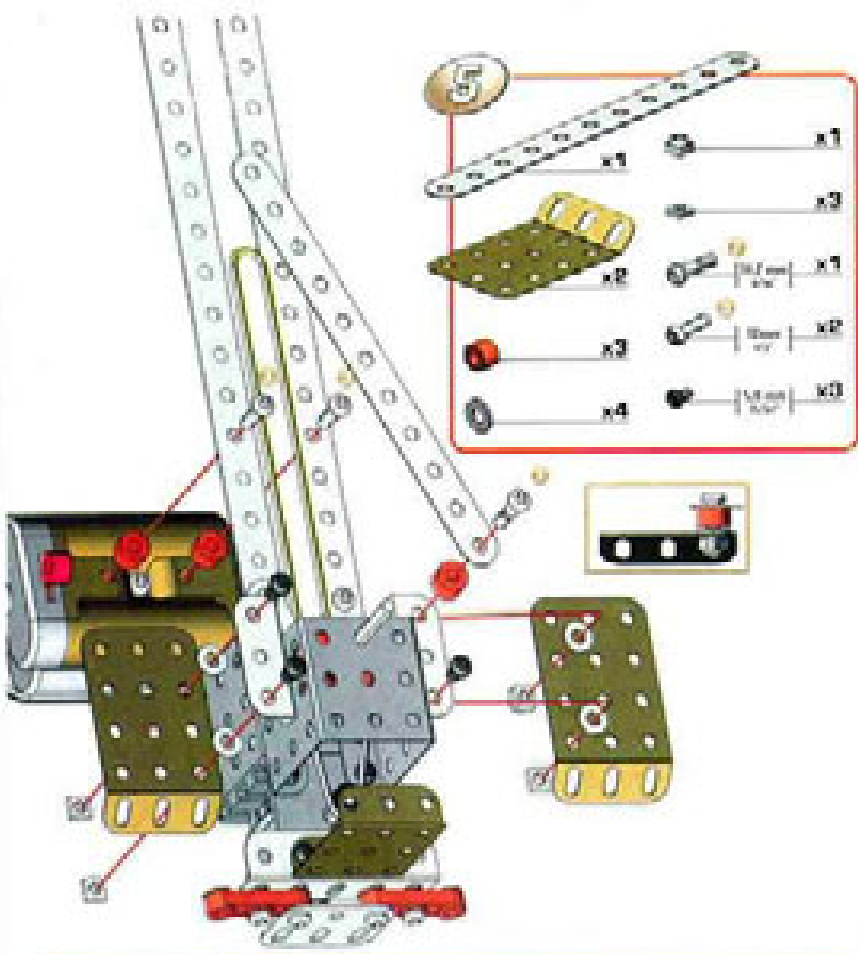
- 21**
- Pin x2
 - Pin x2
 - Pin x2
 - Pin x2
 - Pin (1.5 mm hole) x2

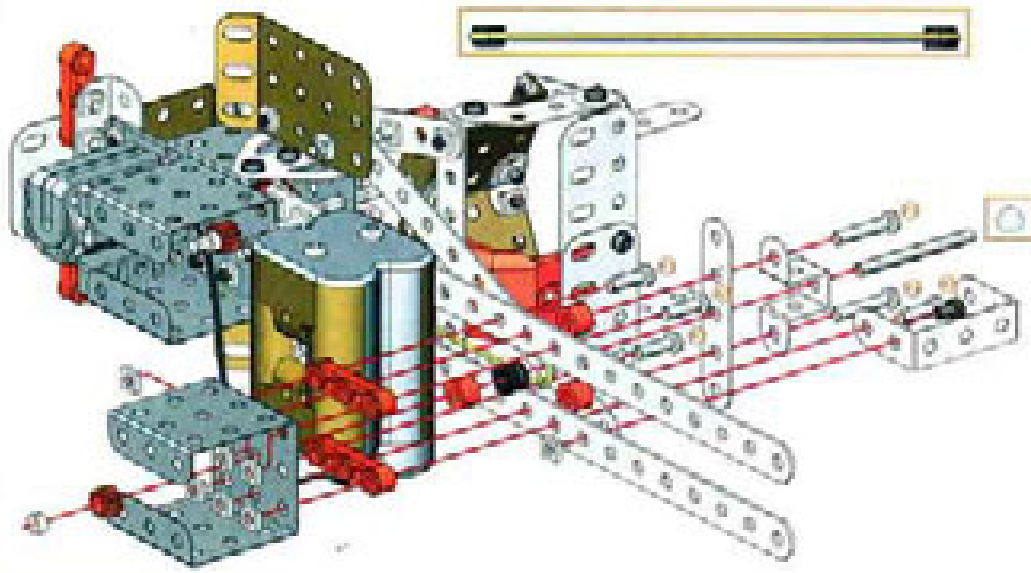






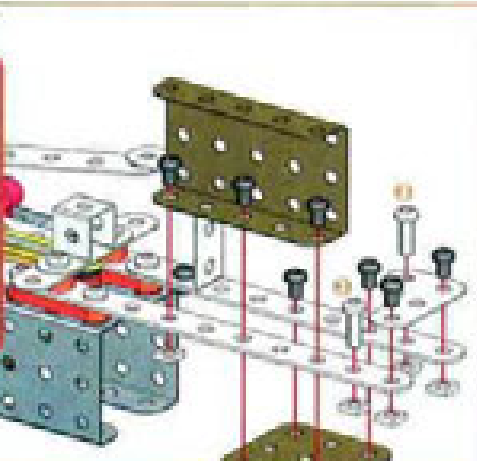




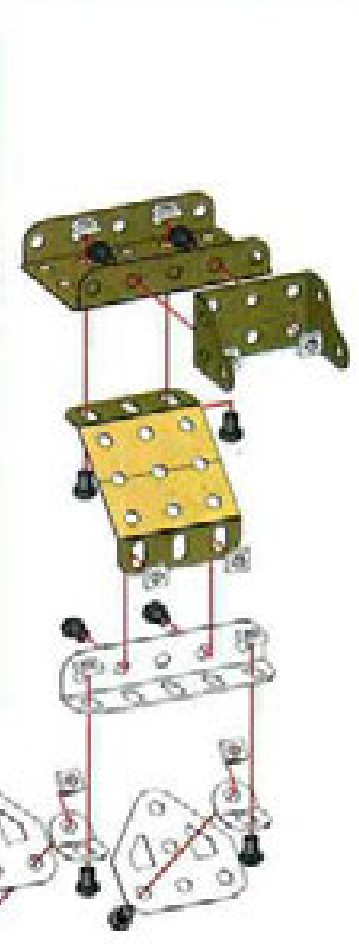


- 11**
- | | | |
|--|--|----|
| | | x1 |
| | | x3 |
| | | x1 |
| | | x1 |
| | | x2 |
| | | x2 |
| | | x4 |
| | | x1 |

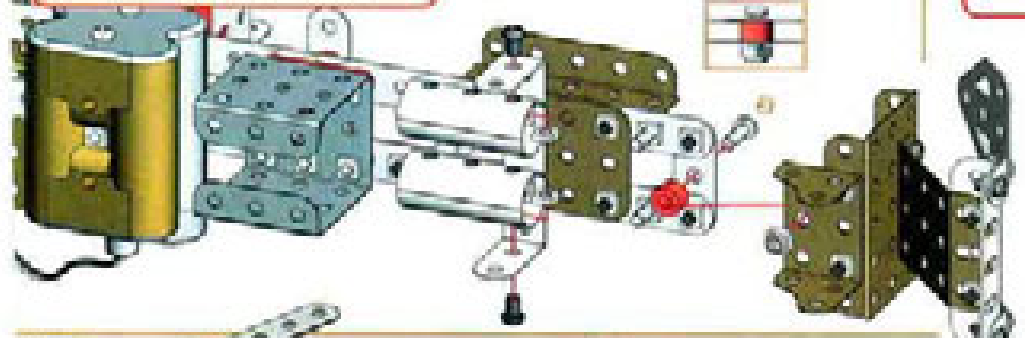
- 12**
- | | | |
|--|--|----|
| | | x1 |
| | | x9 |
| | | x2 |
| | | x2 |



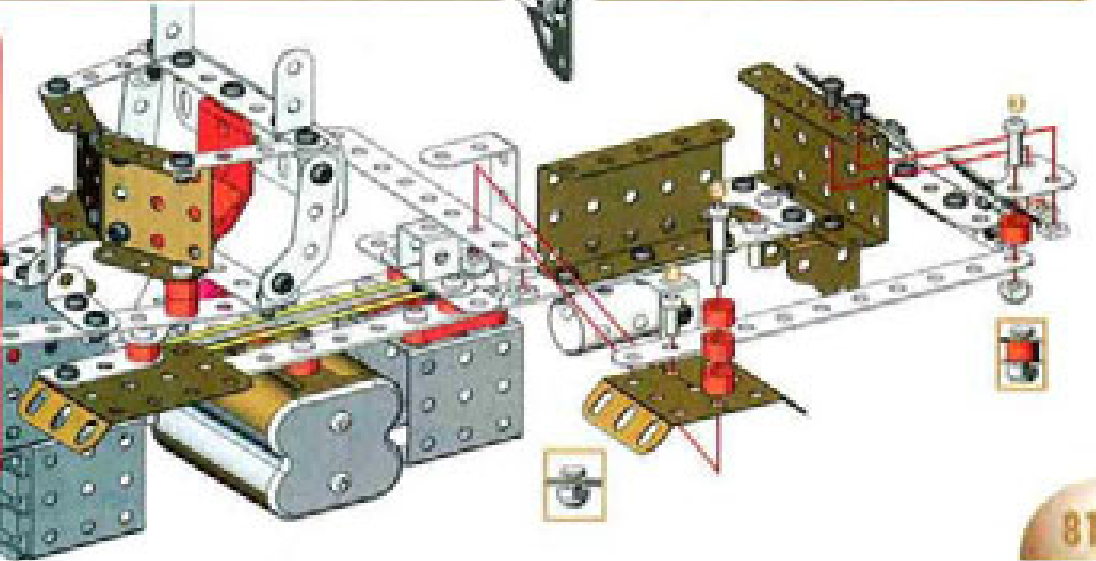
- 13**
- | | | |
|--|--|-----|
| | | x1 |
| | | x1 |
| | | x1 |
| | | x1 |
| | | x2 |
| | | x2 |
| | | x10 |
| | | x10 |









- 14**
- | | | |
|--|--|----|
| | | x2 |
| | | x1 |
| | | x1 |
| | | x2 |
| | | x1 |
| | | x2 |

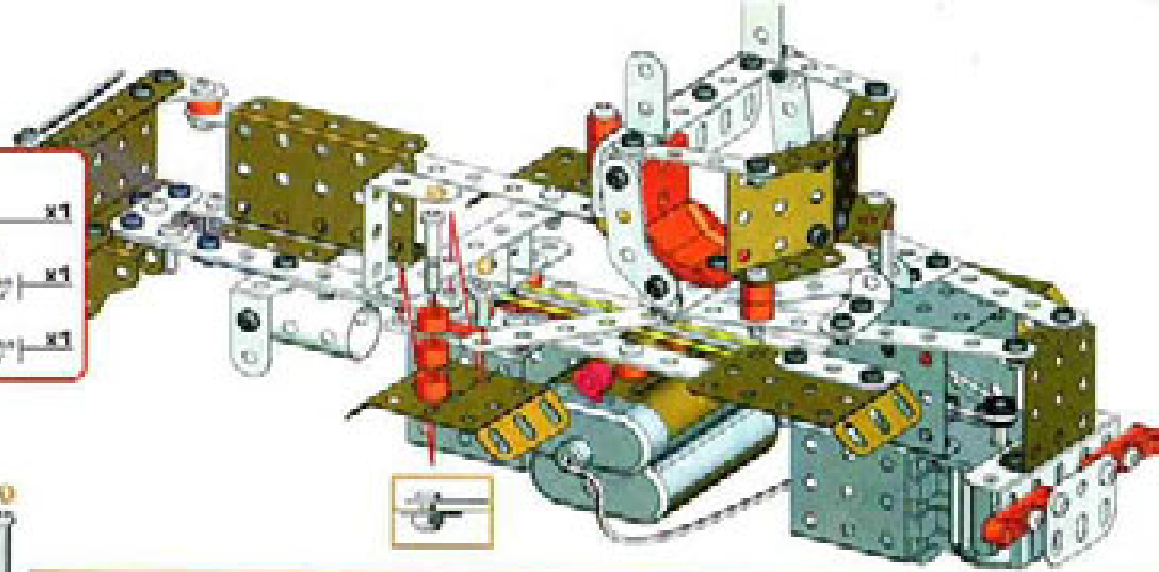


- 15**
- | | | |
|--|--|----|
| | | x1 |
| | | x3 |
| | | x1 |
| | | x1 |
| | | x1 |
| | | x4 |
| | | x2 |








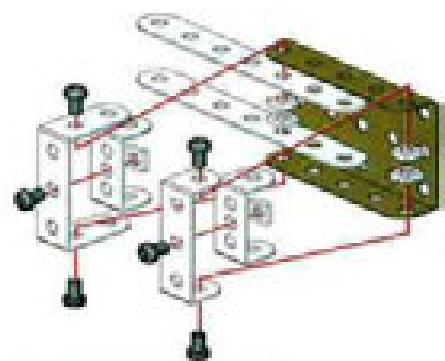
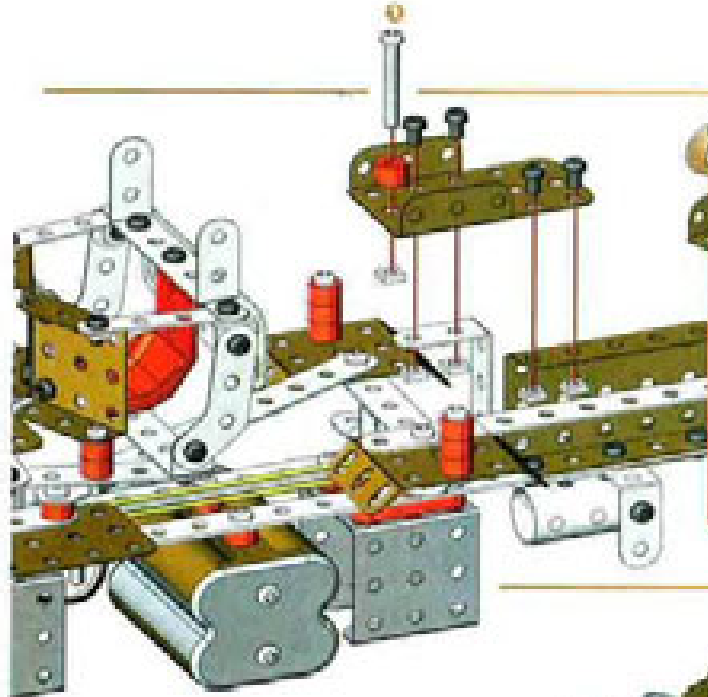
16

-  x1
-  x3
-  x1
-  x1
-  x1
-  x1










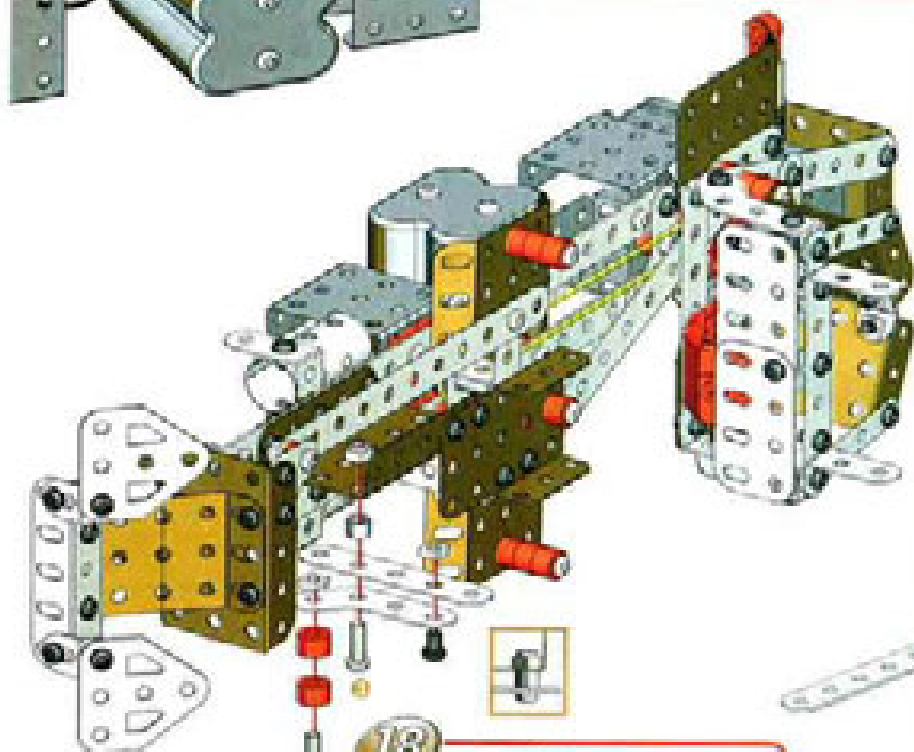
17

-  x1
-  x1
-  x5
-  x1
-  x4



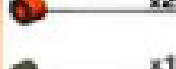





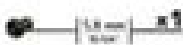


19

-  x1
-  x2
-  x1
-  x1
-  x2
-  x6
-  x6

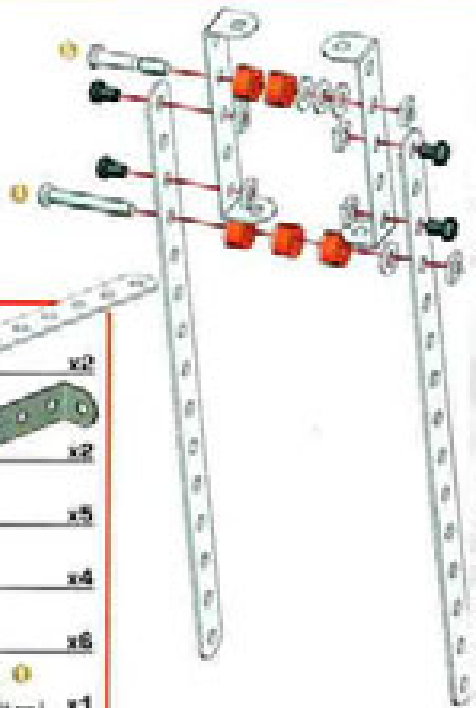


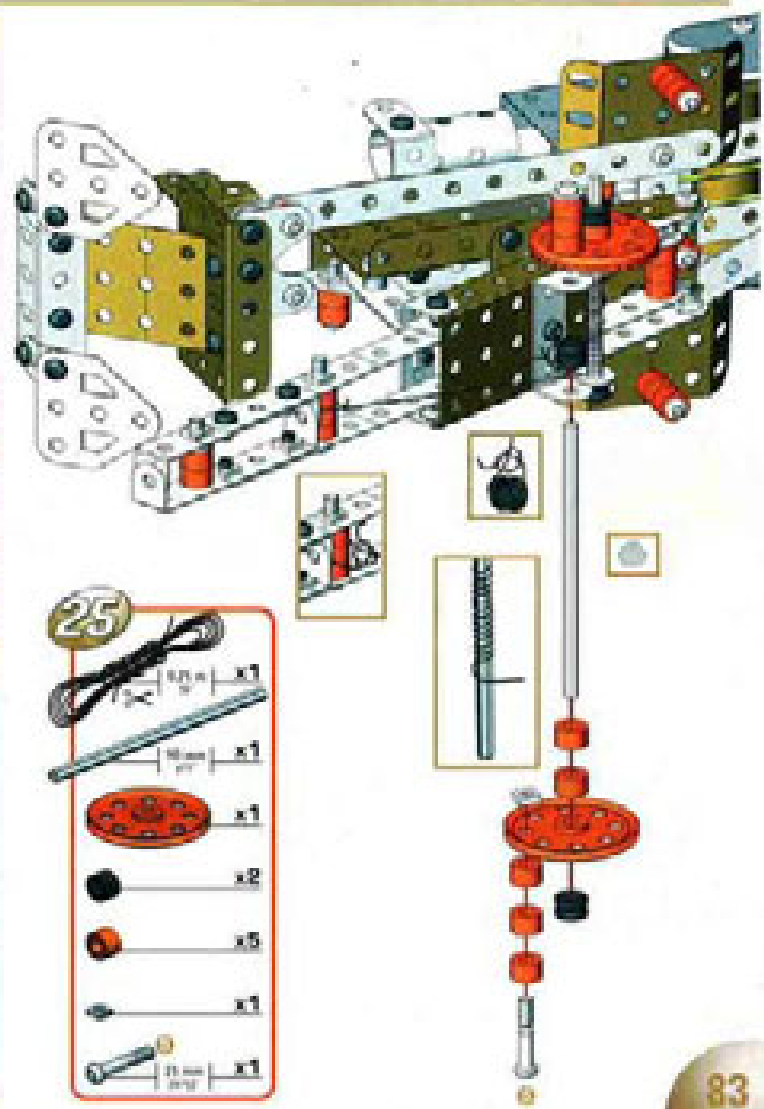
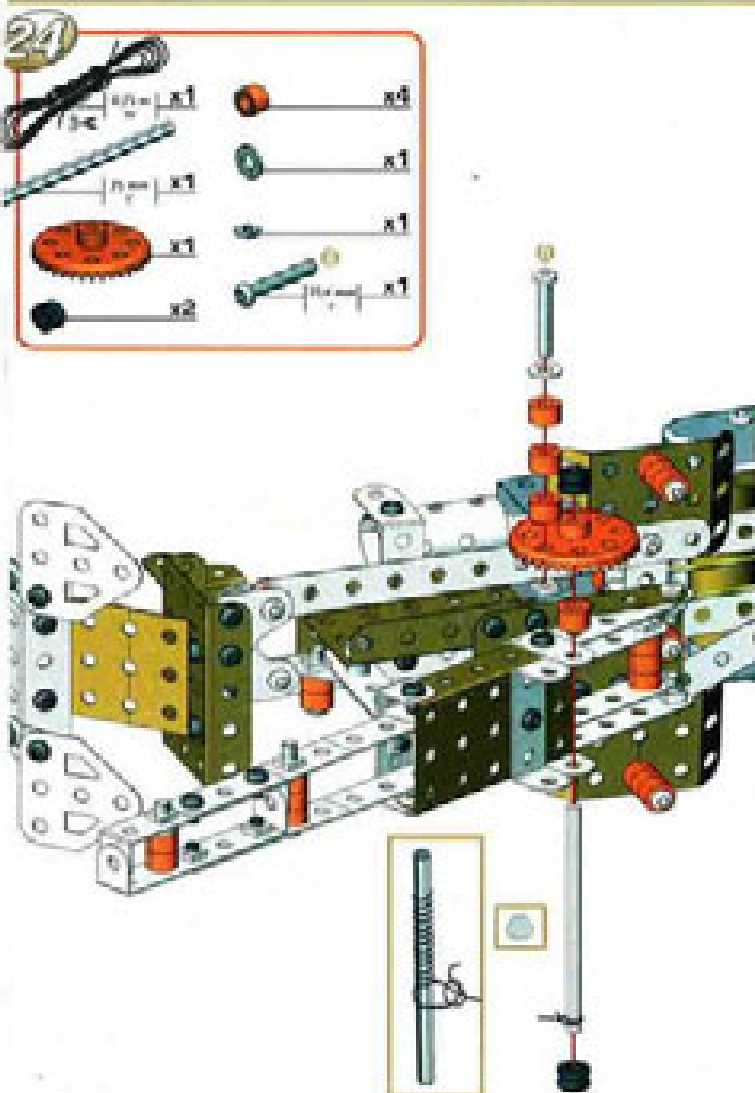
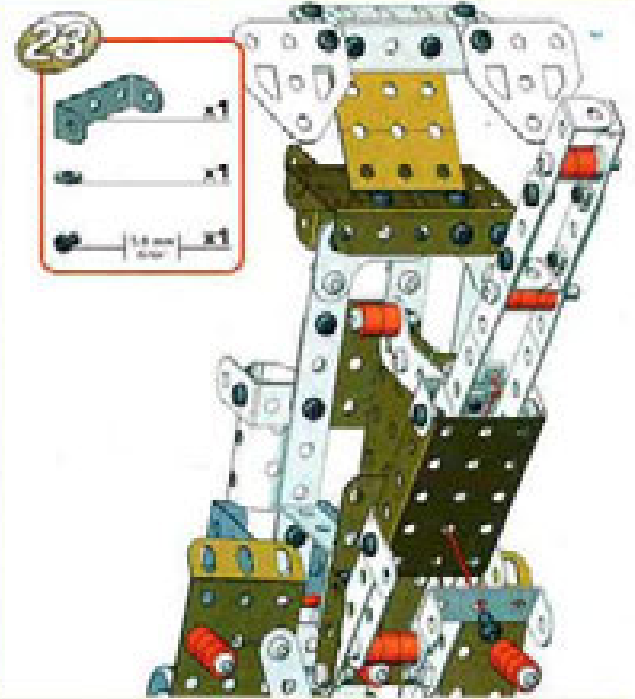
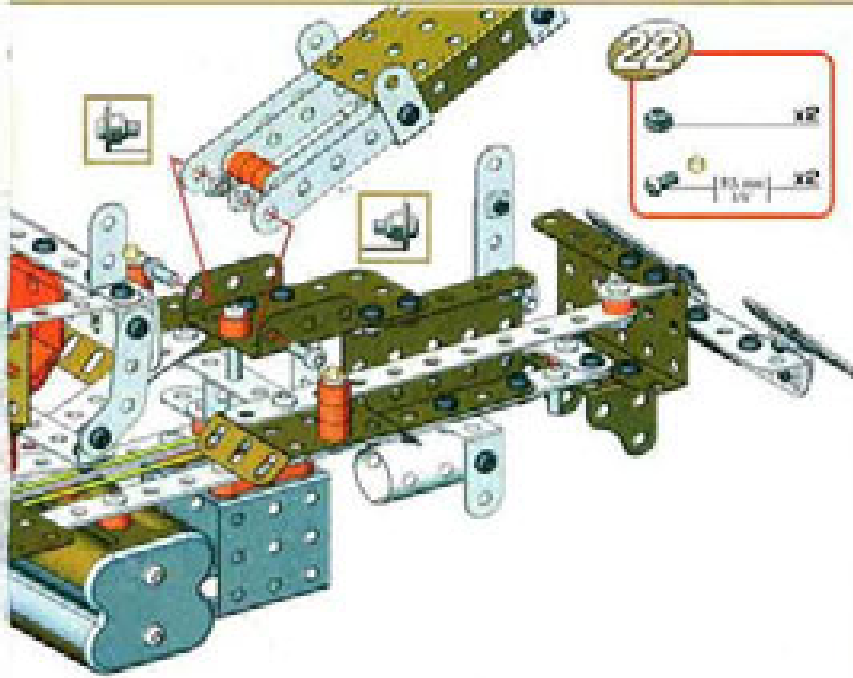
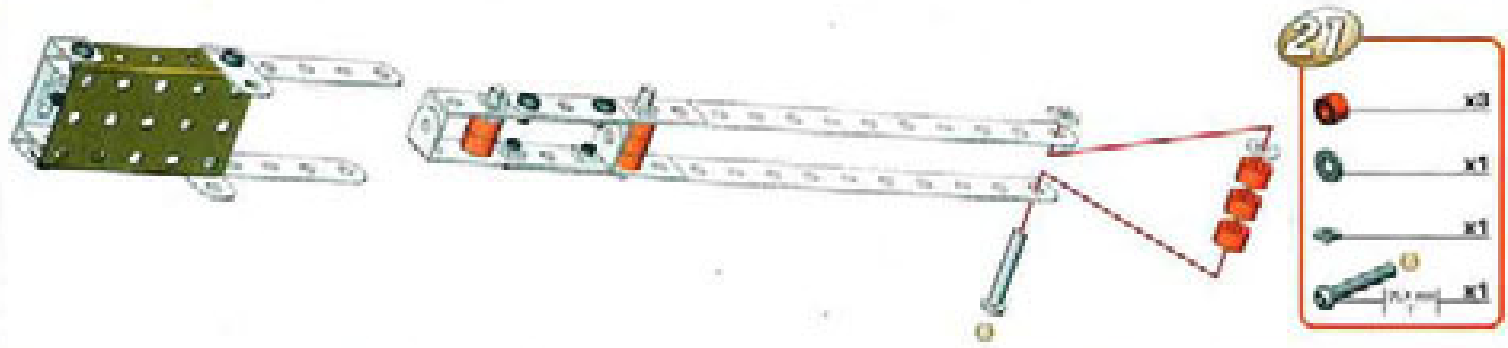
18

-  x1
-  x1
-  x2
-  x1
-  x1
-  x2
-  x1
-  x1
-  x1

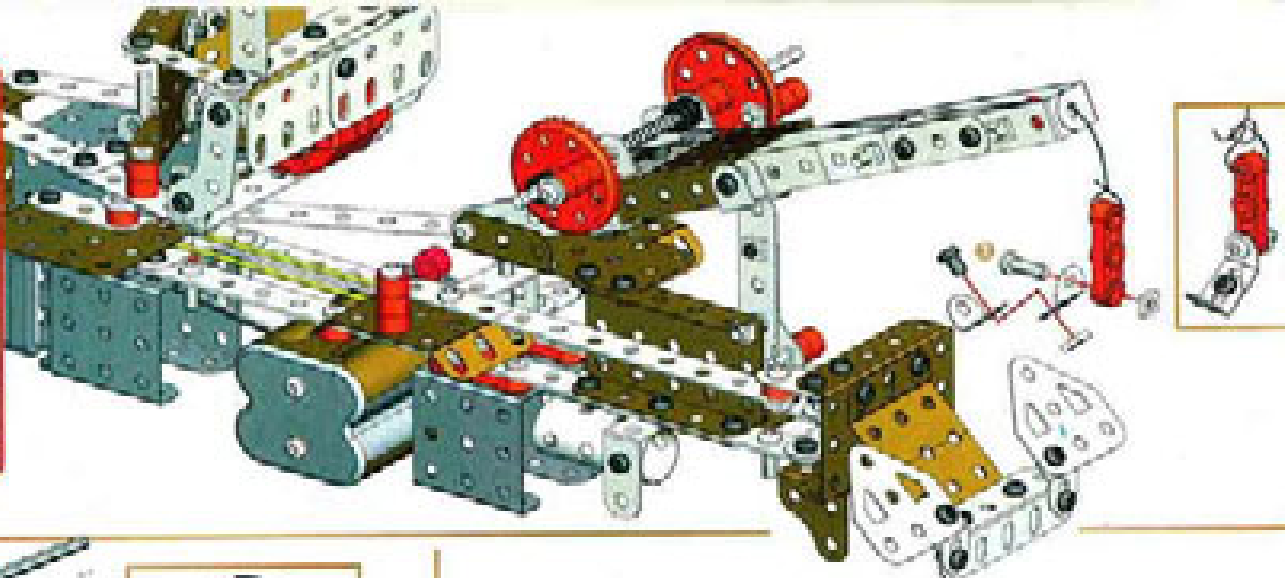
20

-  x2
-  x2
-  x5
-  x4
-  x6
-  x1
-  x1
-  x4

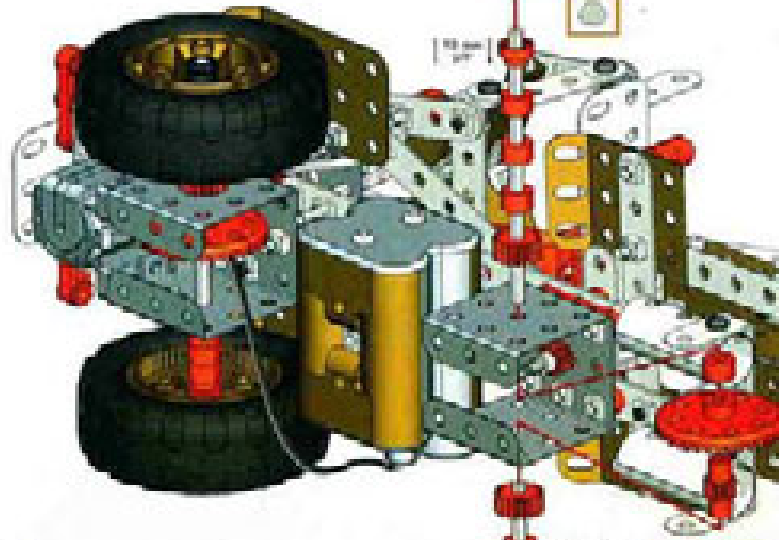
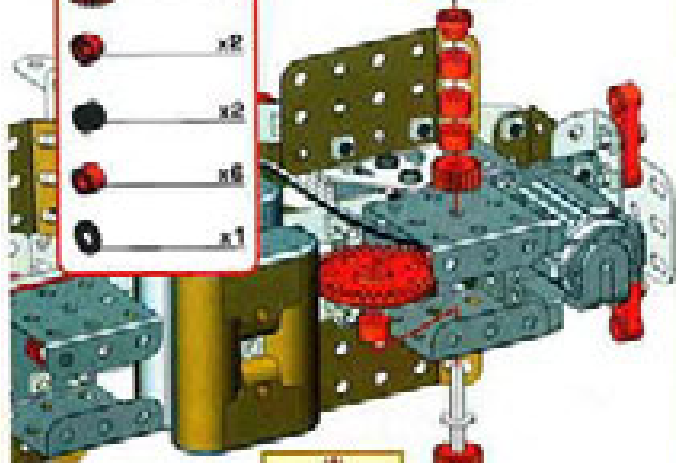







- 26**
-  x1
 -  x1
 -  x1
 -  x2
 -  x1
 -  x1



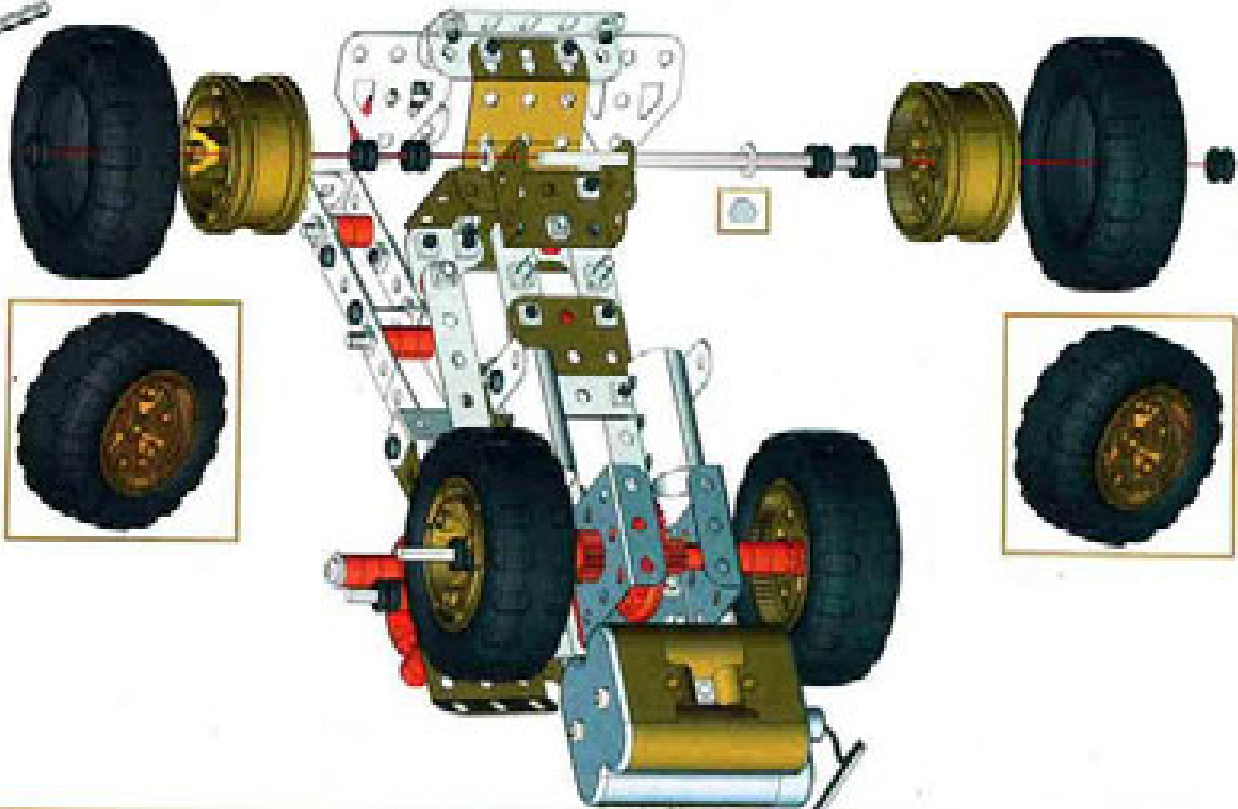
- 27**
-  x1
 -  x2
 -  x2
 -  x1
 -  x2
 -  x2
 -  x2
 -  x6
 -  x1



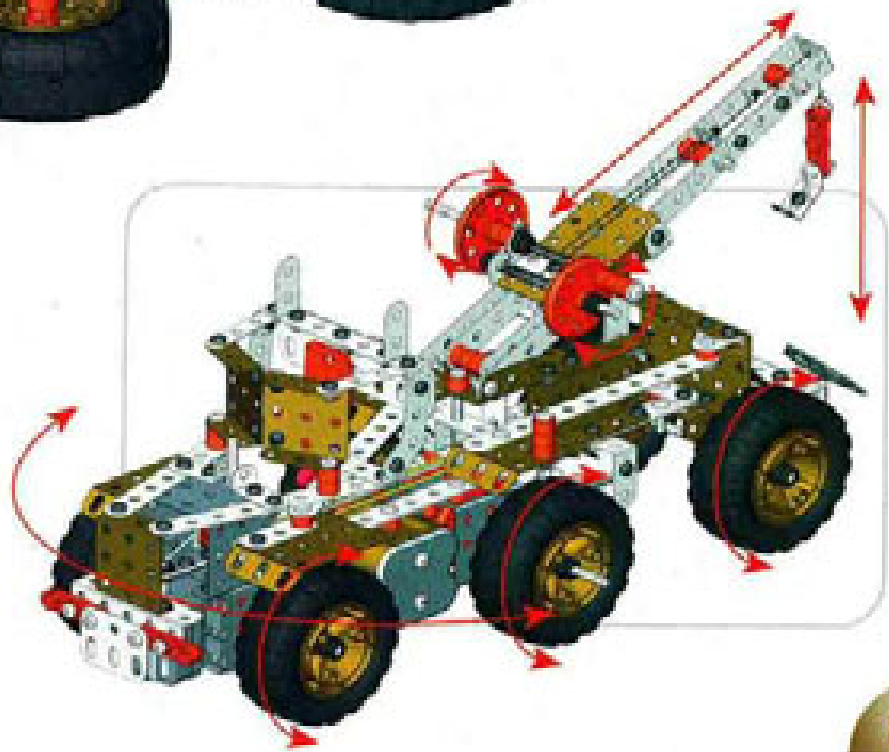
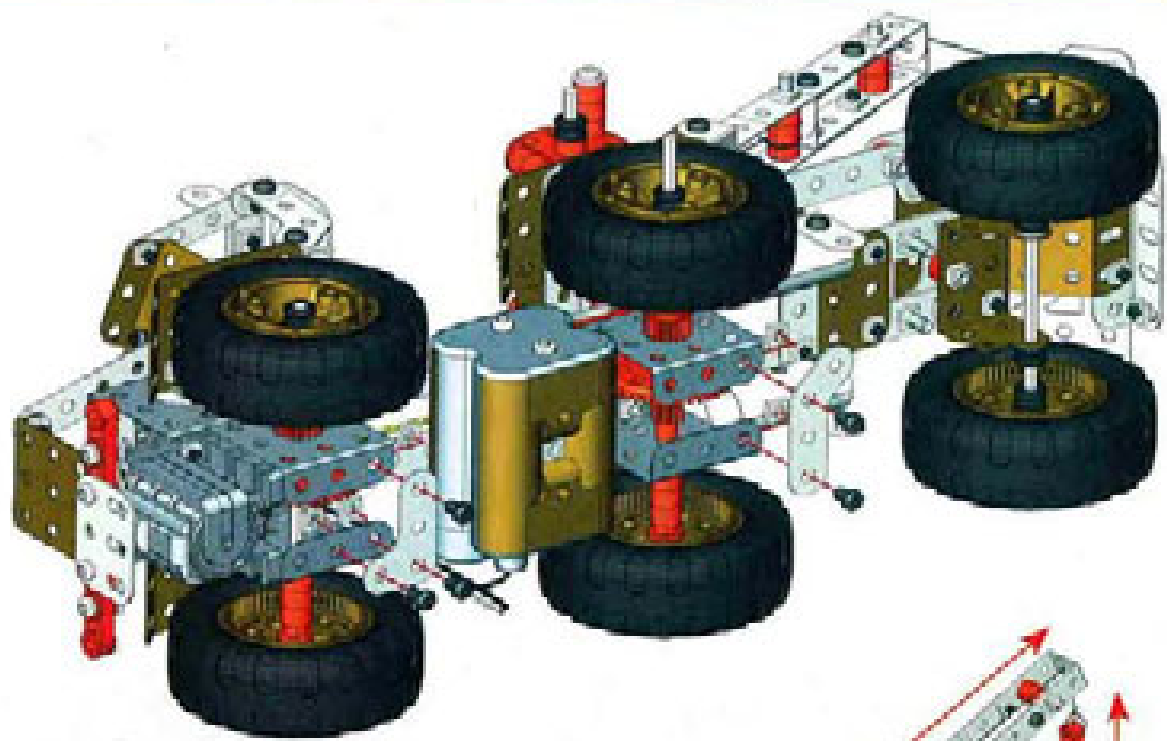
- 28**
-  x2
 -  x1
 -  x1
 -  x2
 -  x1
 -  x1
 -  x2
 -  x2
 -  x2
 -  x2

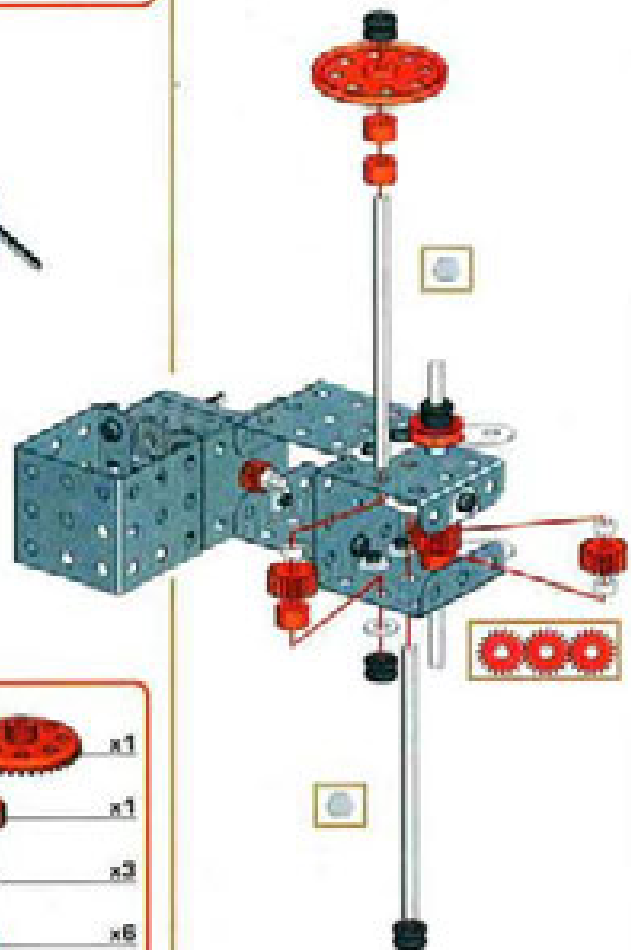
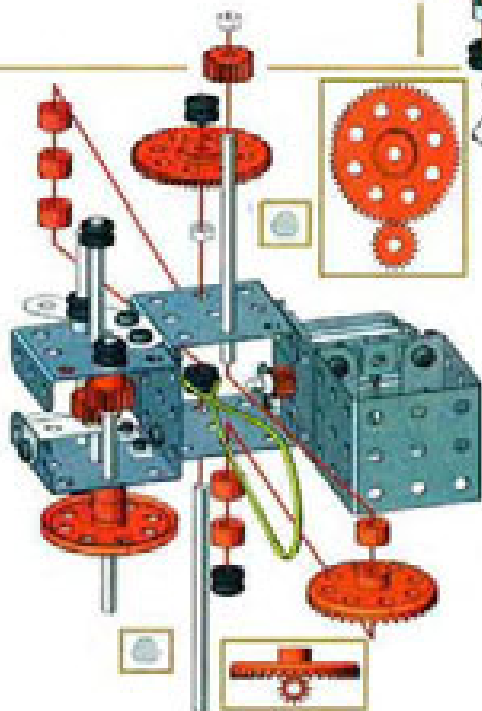
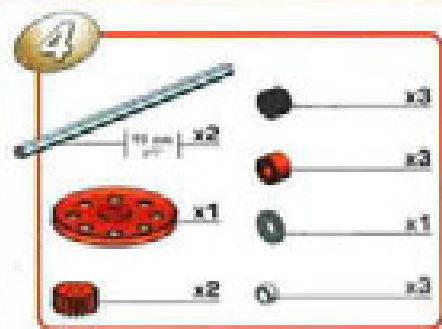
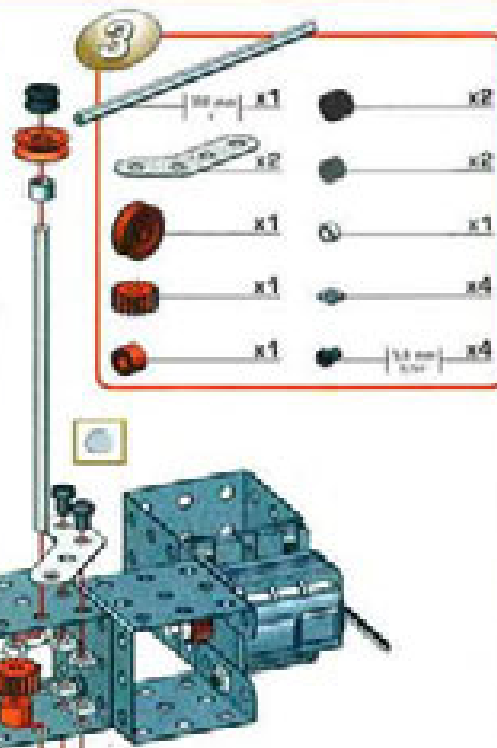
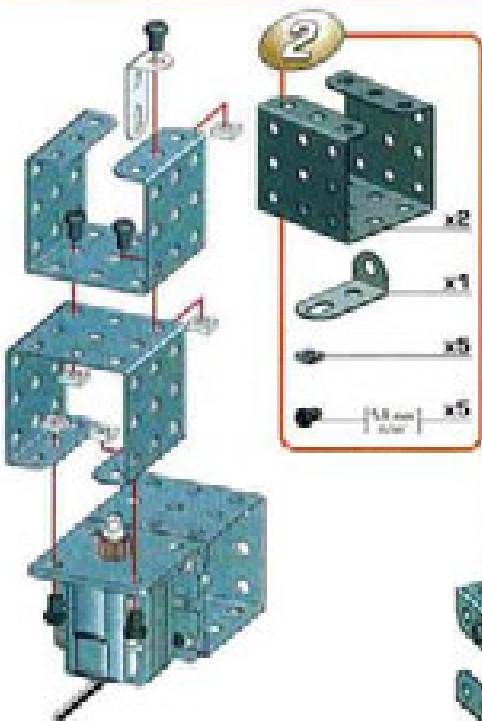
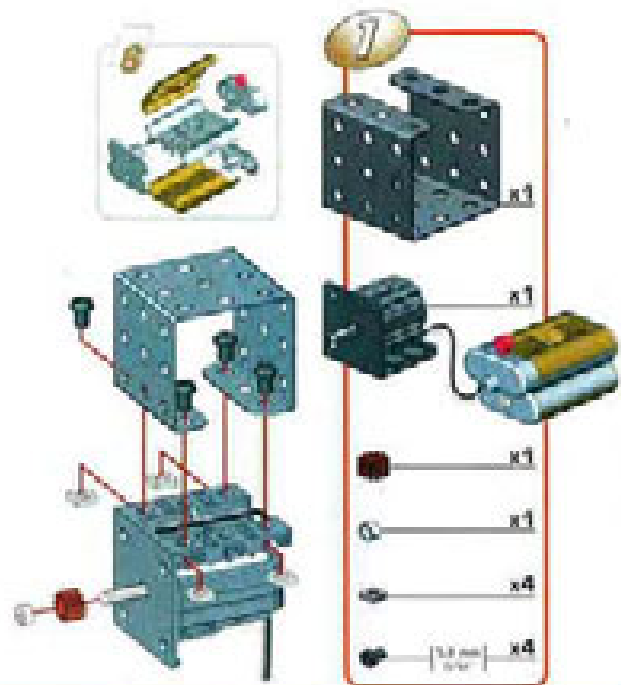


- 29**
-  x1
 -  x2
 -  x2
 -  x6
 -  x2



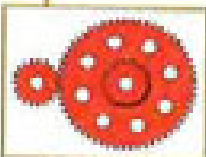
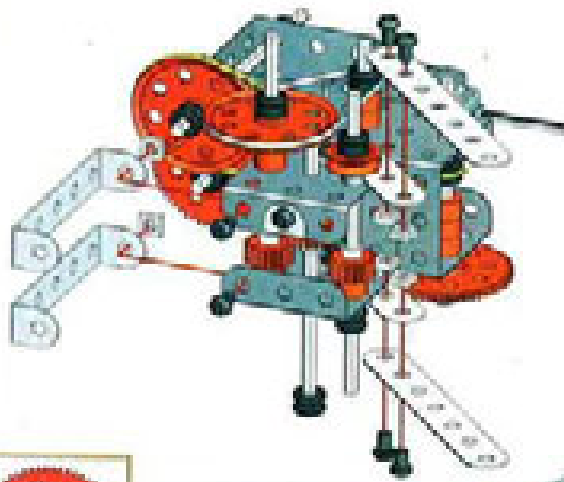
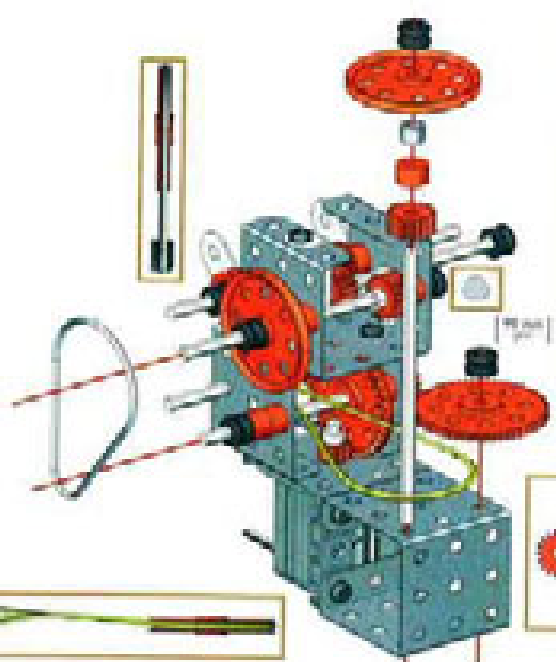
- 30**
-  x1
 -  x1
 -  x5
 -  x5





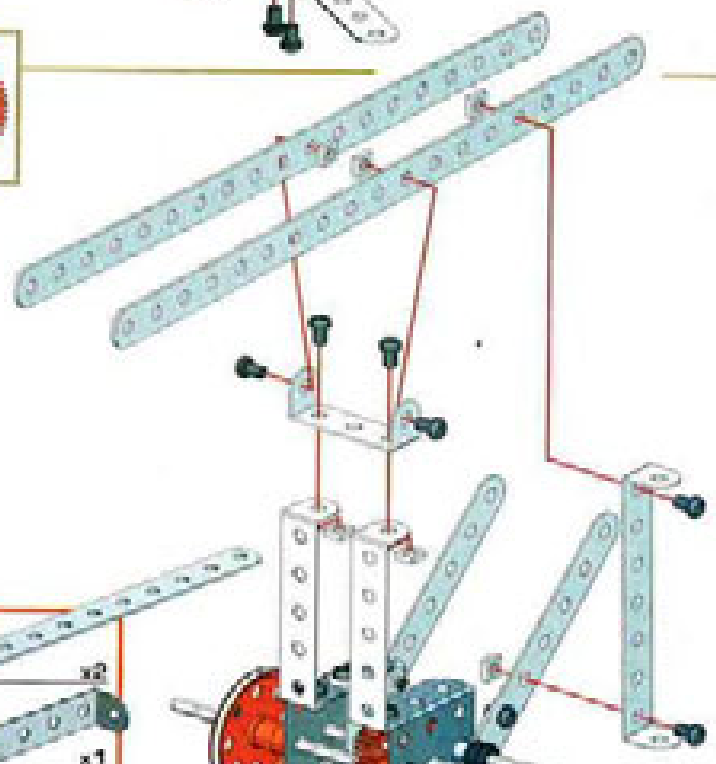
7

- 1 x 10
- 1 x 5
- 1 x 6
- 1 x 6



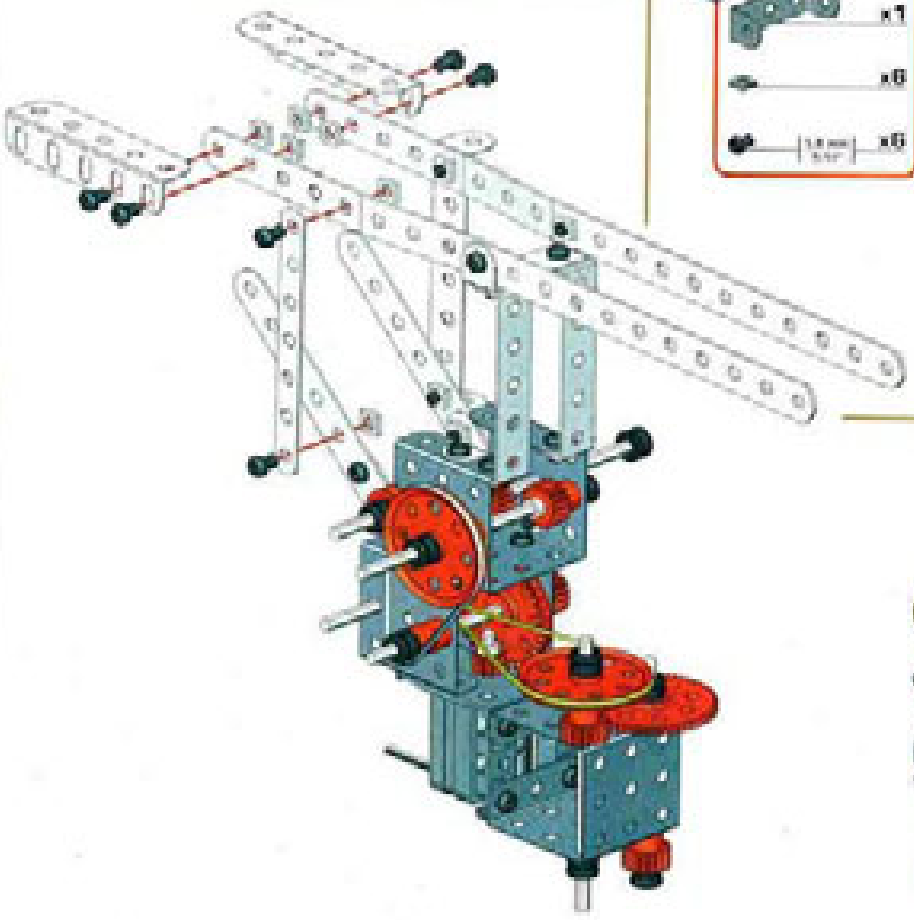
8

- 1 x 10
- 1 x 5
- 1 x 6
- 1 x 6
- 1 x 10
- 1 x 5
- 1 x 6
- 1 x 6
- 1 x 6
- 1 x 6



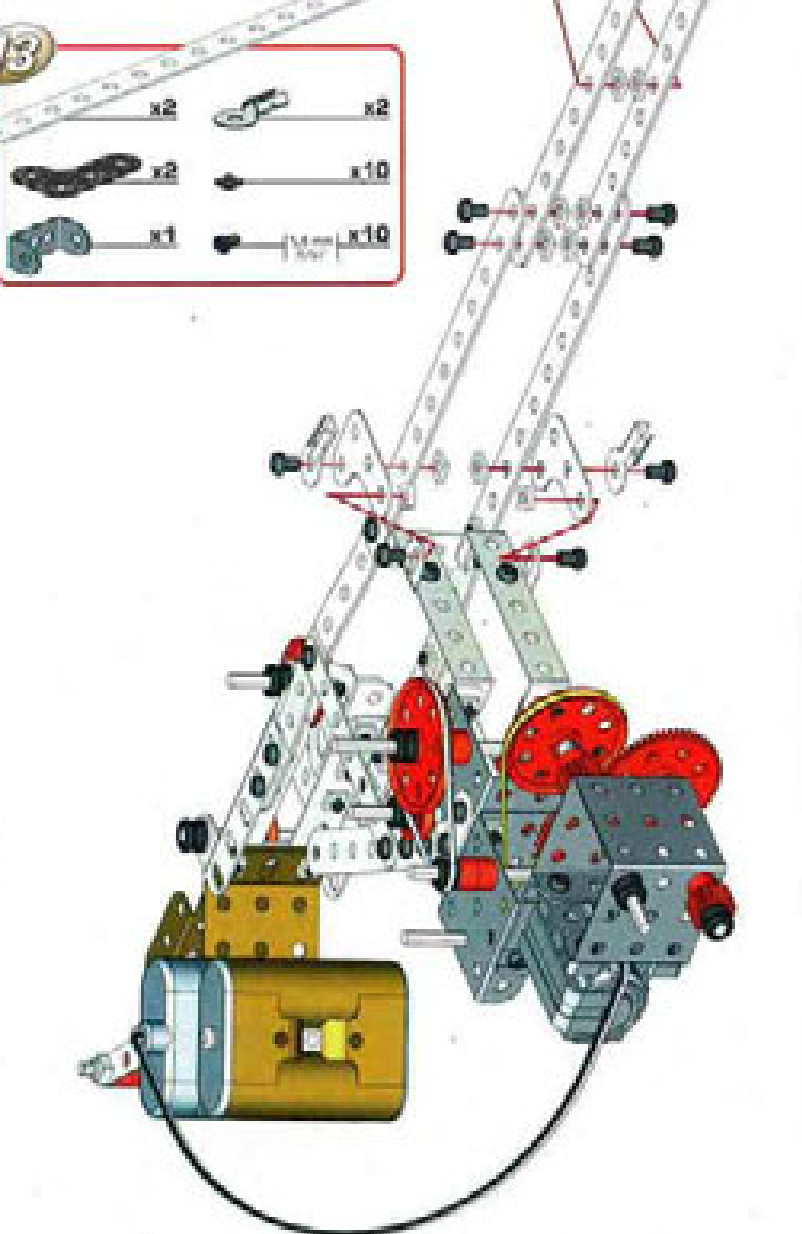
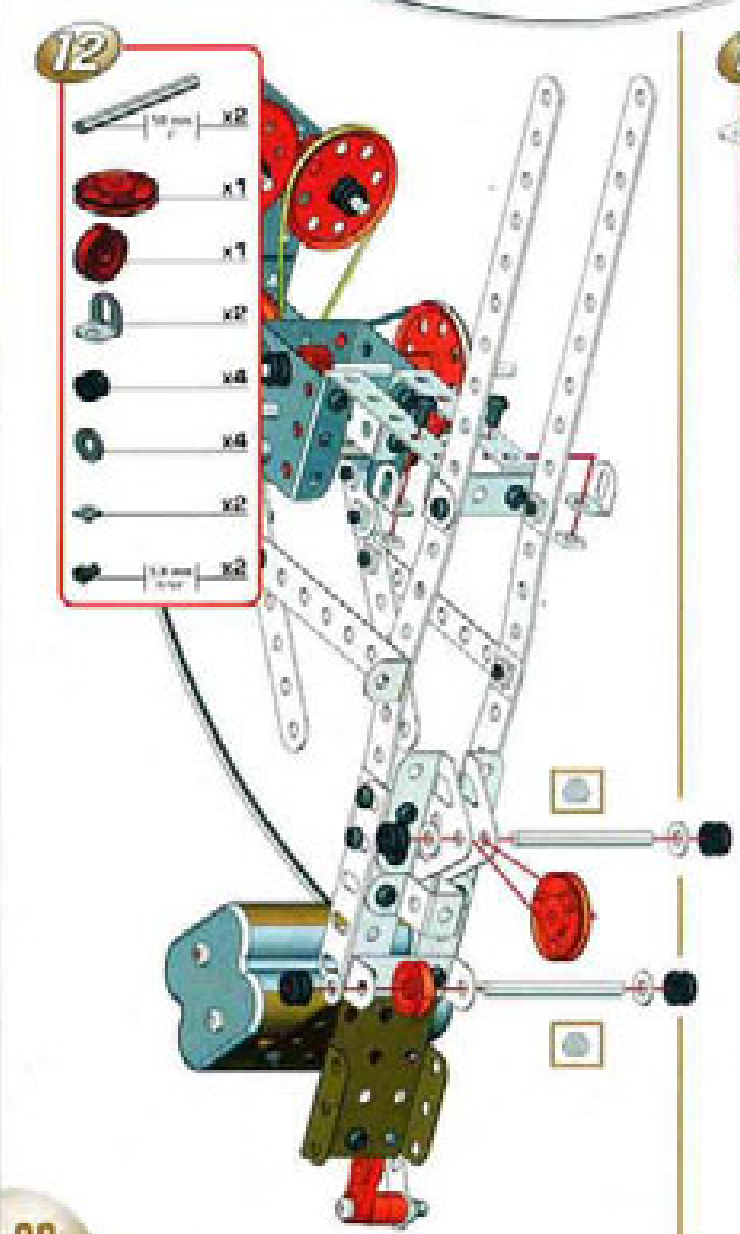
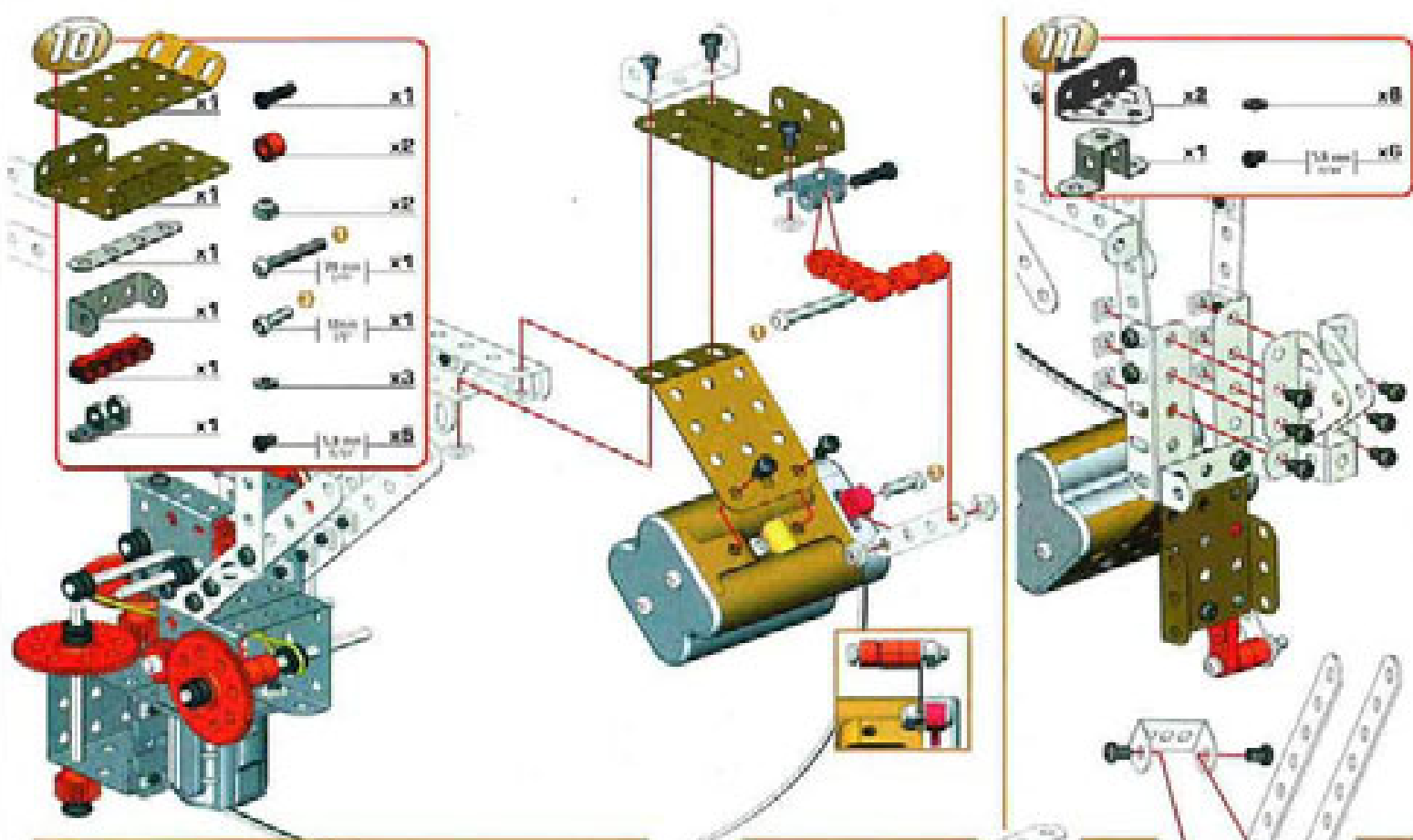
9

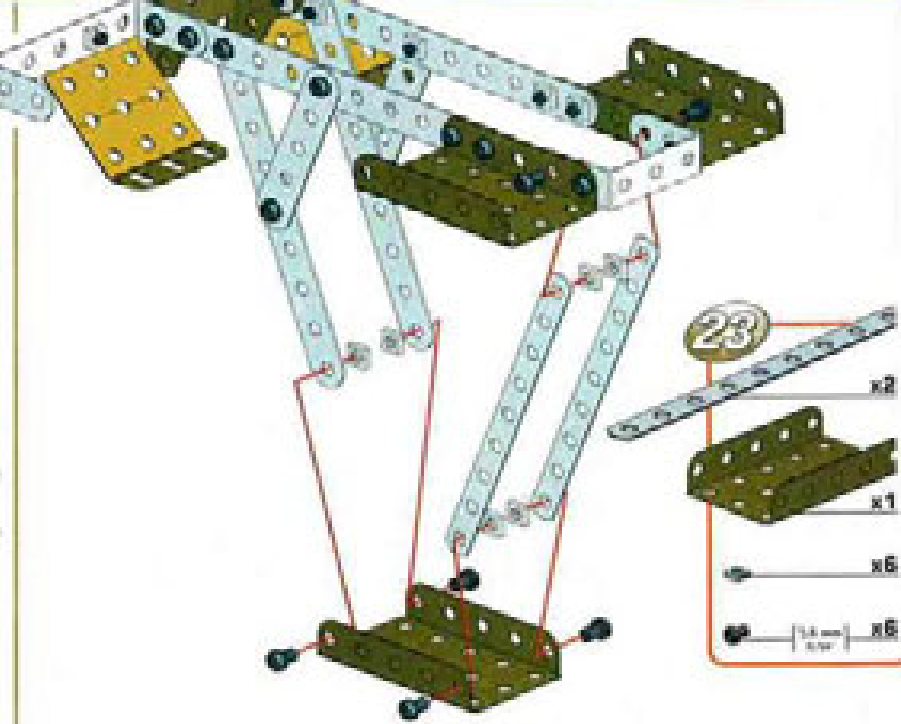
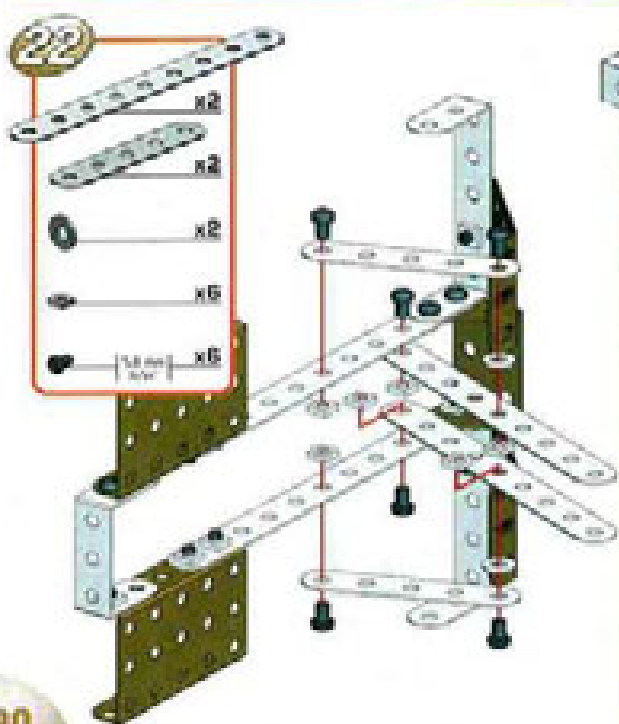
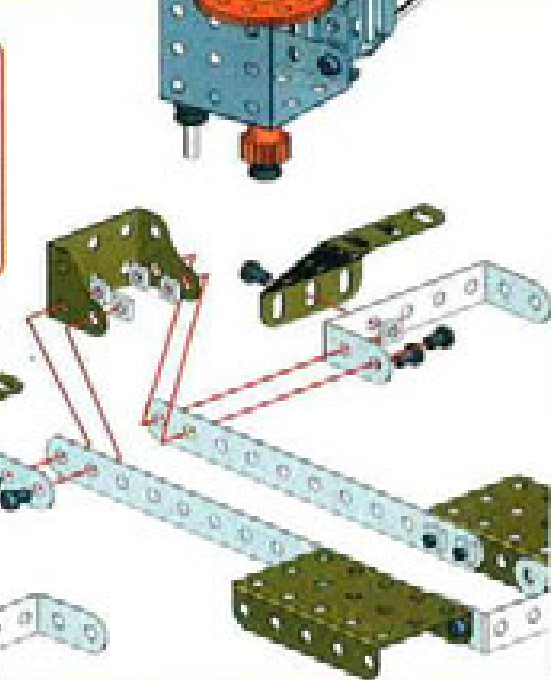
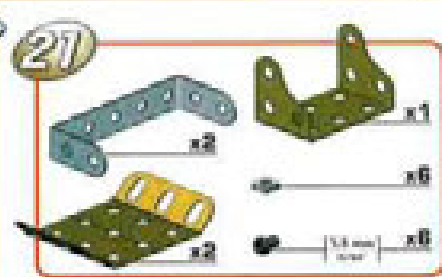
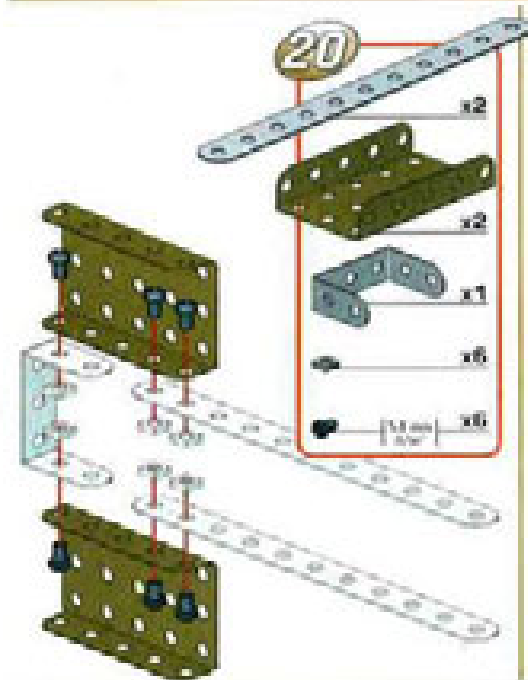
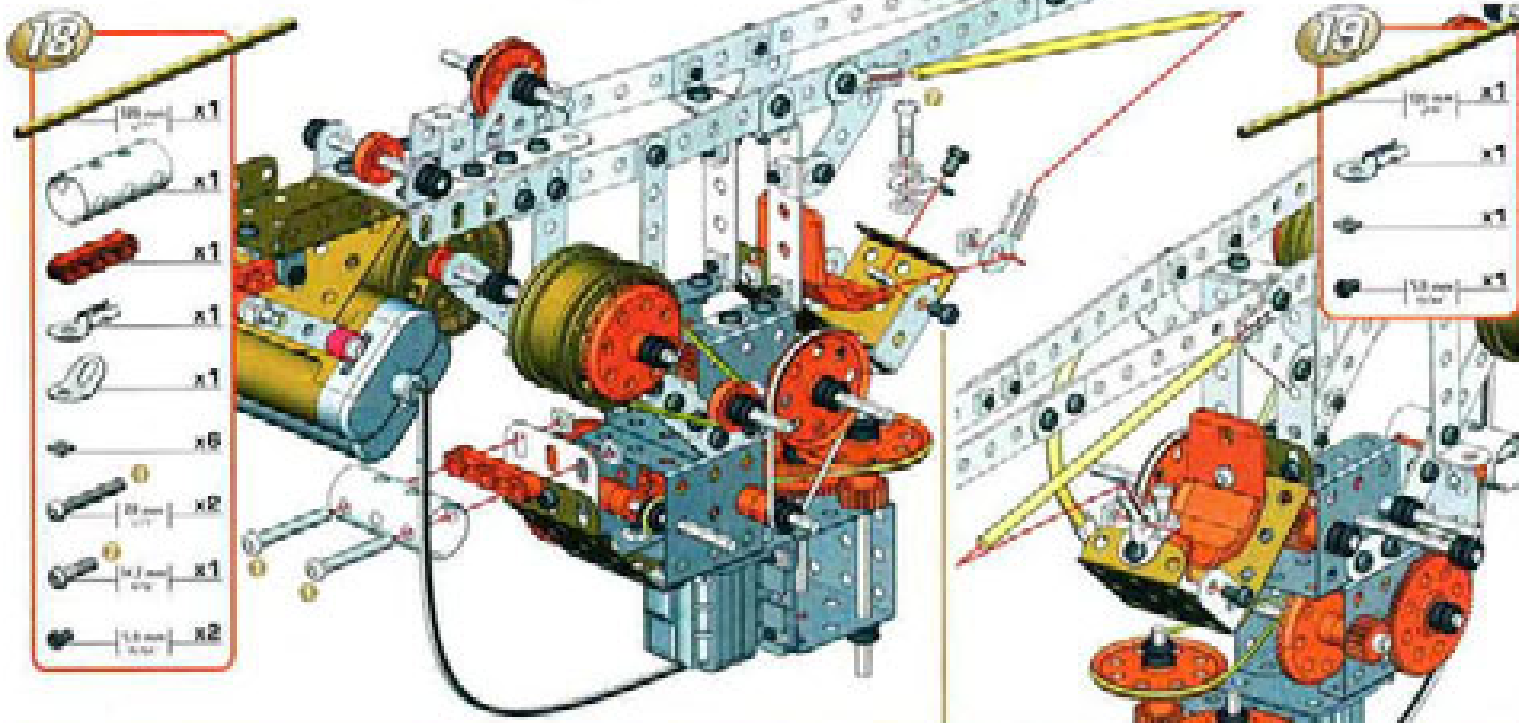
- 1 x 10
- 1 x 5
- 1 x 6
- 1 x 6



9

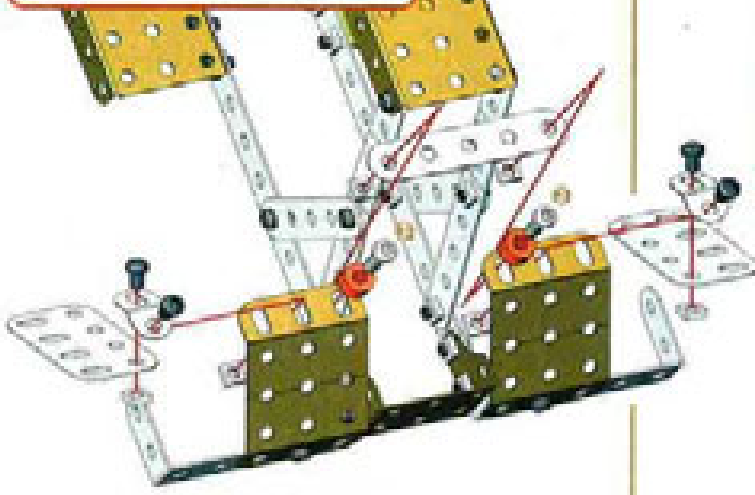
- 1 x 10
- 1 x 5
- 1 x 6
- 1 x 6





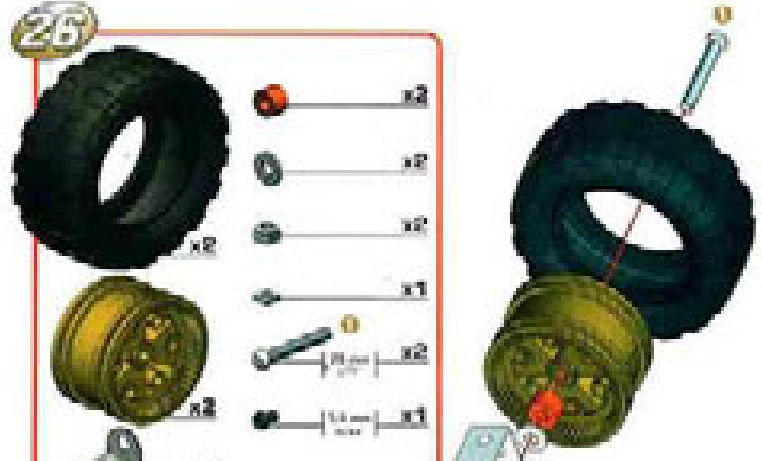
24

- x1
- x2
- x2
- x2
- x6
- x2
- x2
- x4



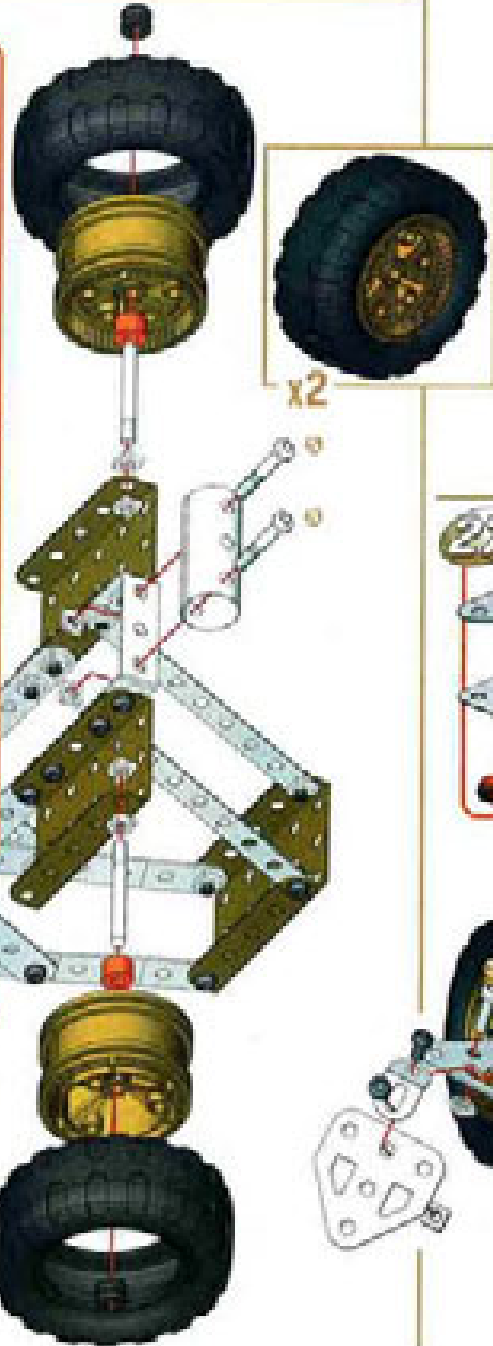
25

- x2
- x2
- x2
- x2
- x2
- x1
- x2
- x1



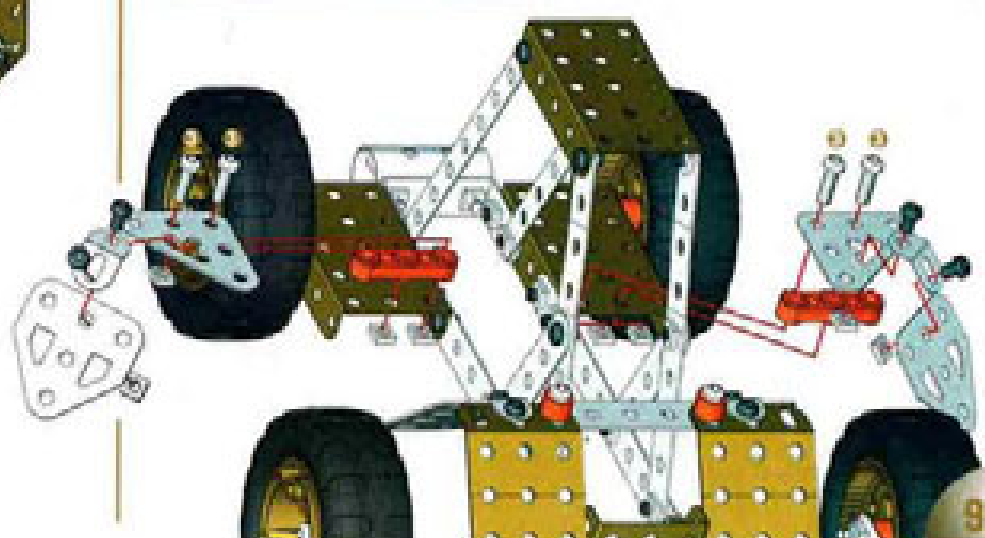
25

- x2
- x2
- x2
- x1
- x2
- x2
- x2
- x2
- x2
- x2



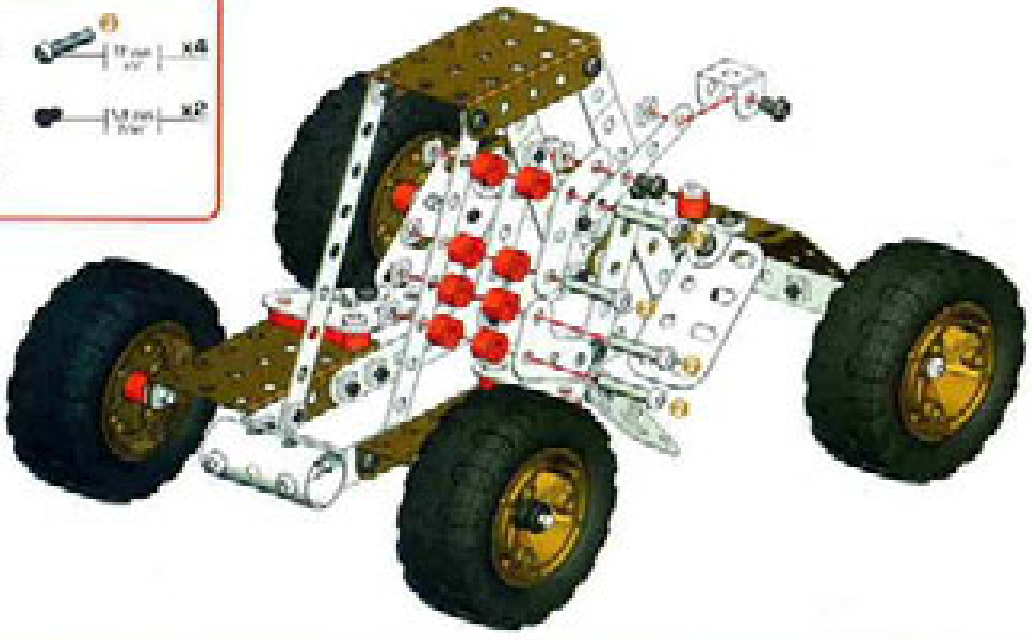
27

- x2
- x2
- x2
- x2
- x2
- x2
- x2
- x2



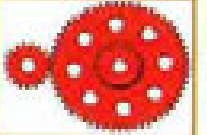
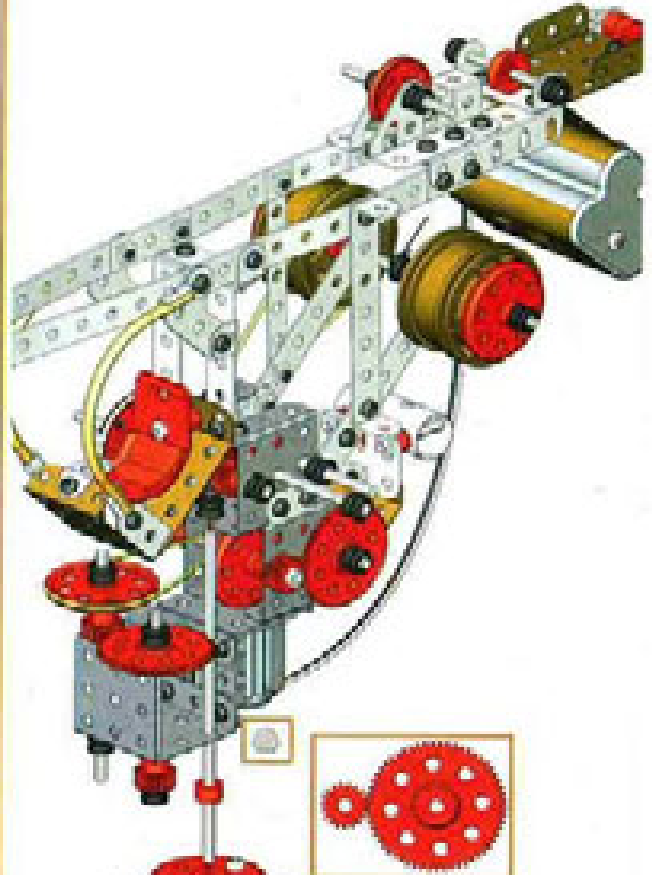
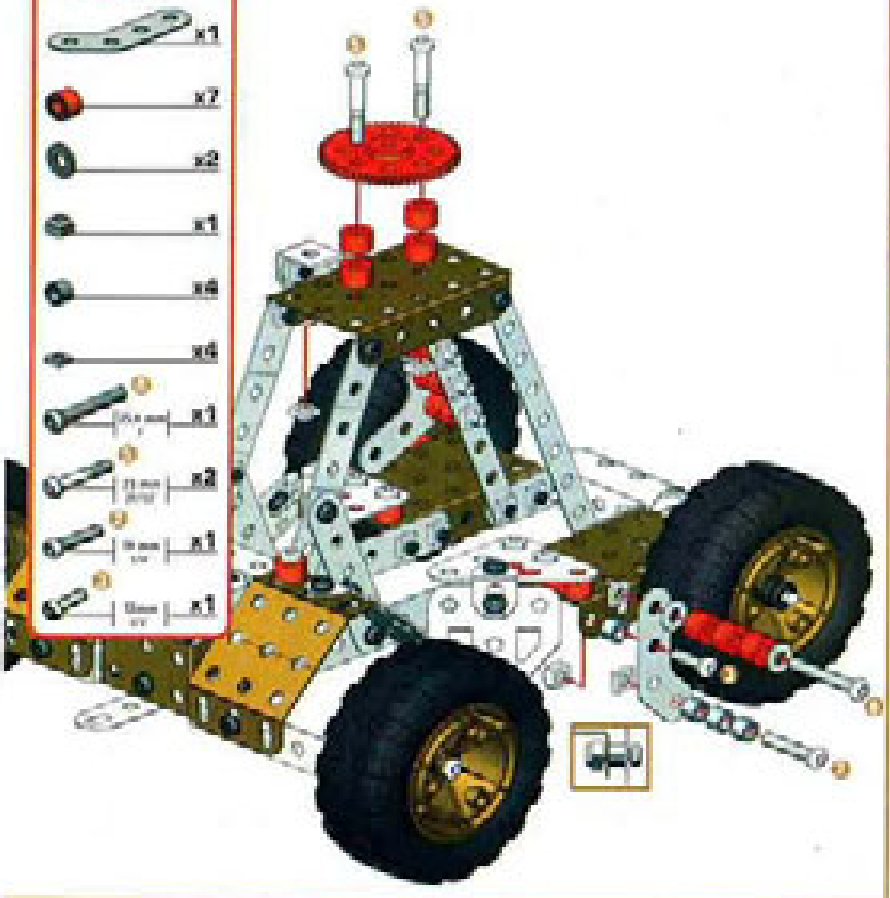
28

- x1
- x1
- x4
- x1
- x8
- x2
- x1
- x6



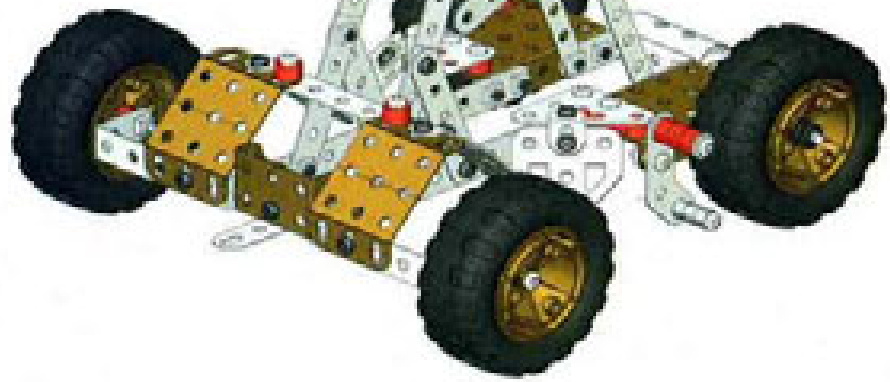
29

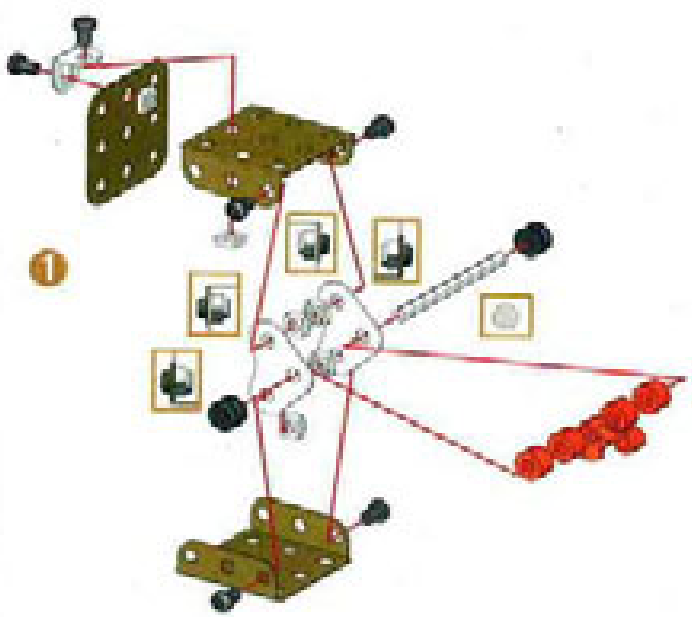
- x1
- x1
- x2
- x2
- x1
- x6
- x6
- x1
- x2
- x1
- x1



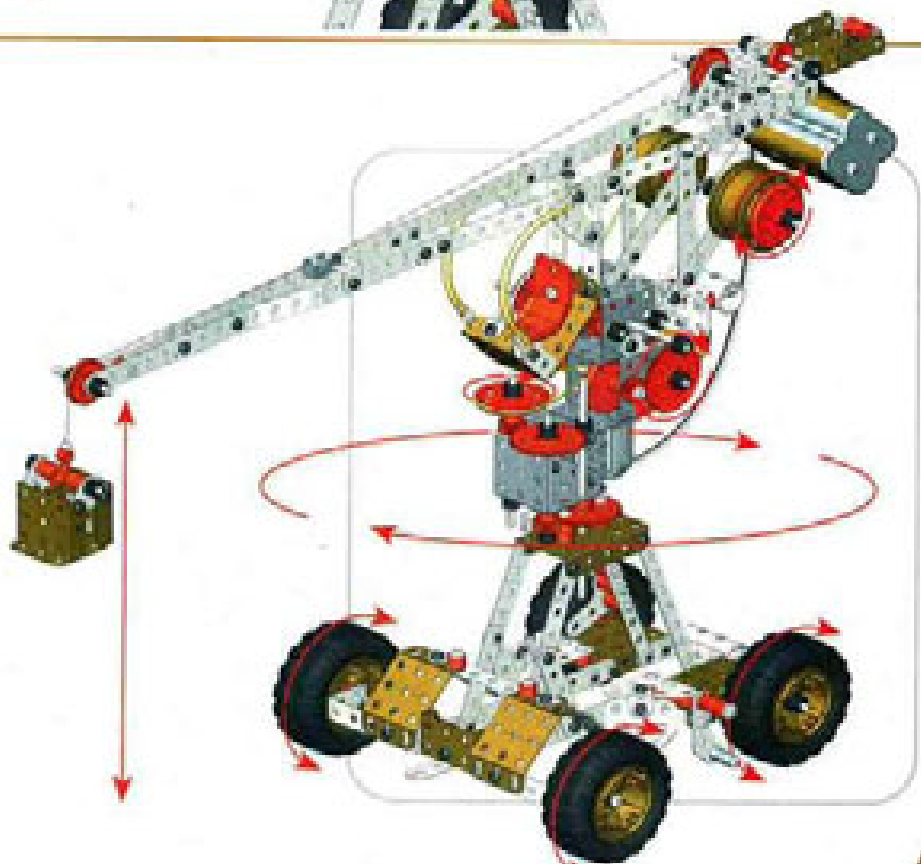
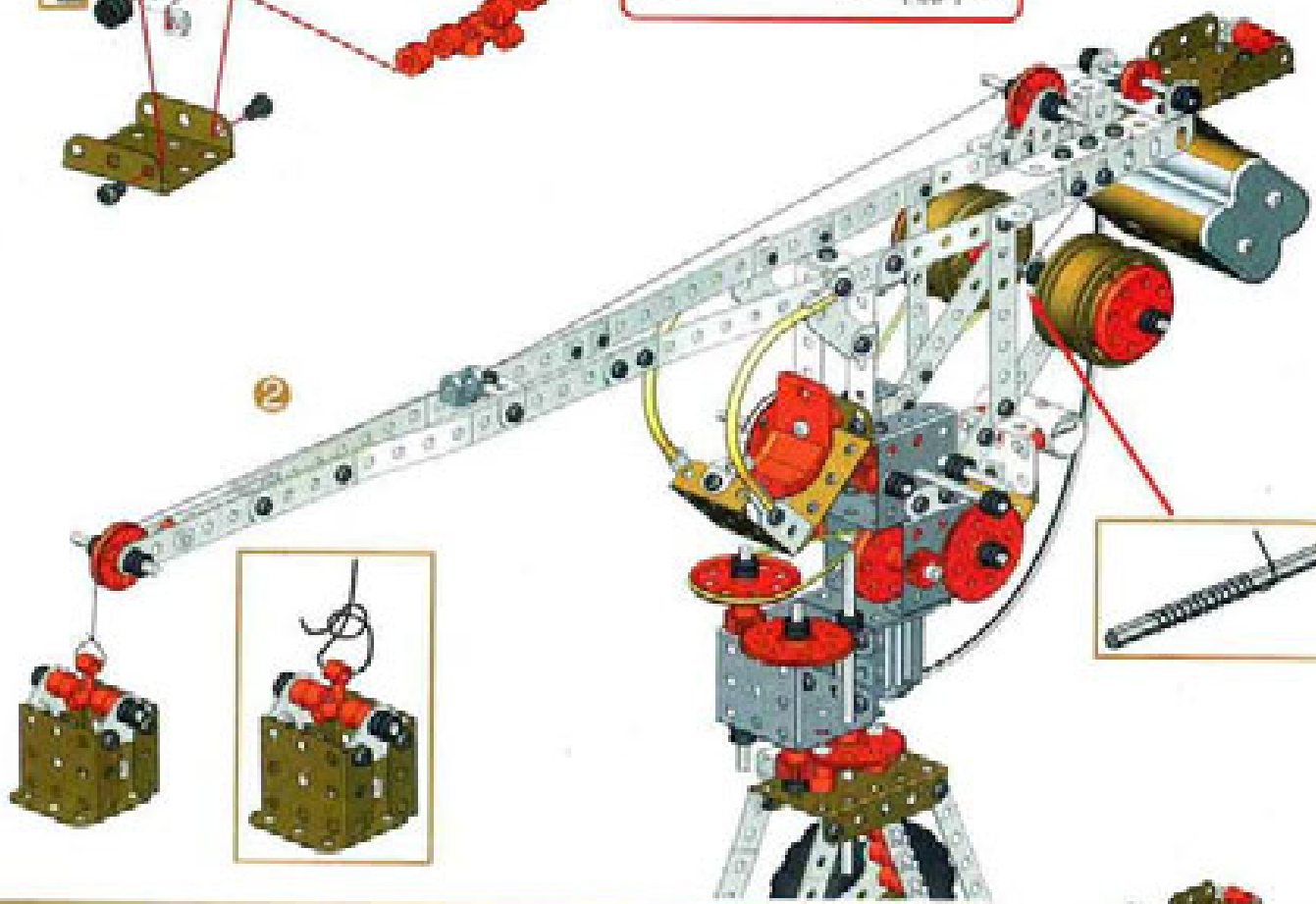
30

- x1
- x2
- x1



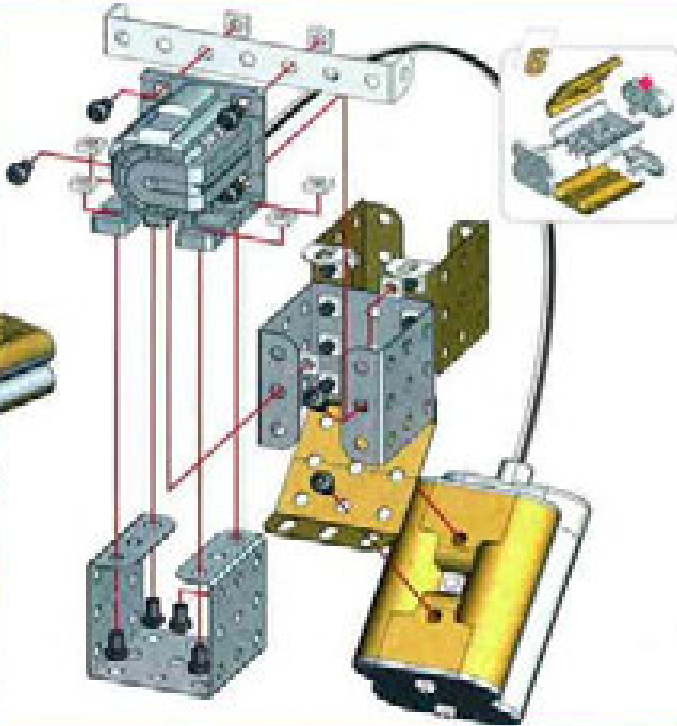


- 31**
- | | | | |
|--|----|--|----|
| | x2 | | x1 |
| | x1 | | x2 |
| | x1 | | x4 |
| | x2 | | x4 |
| | x1 | | x2 |
| | | | x2 |
| | | | x2 |

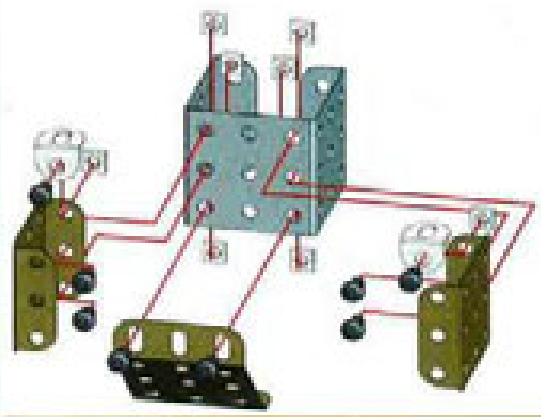




- 2
- x1
 - x1
 - x1
 - x8
 - x10

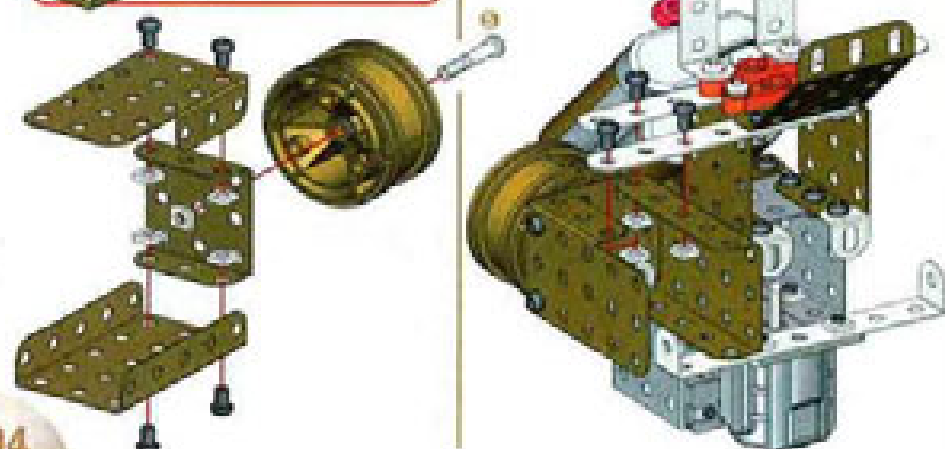


- 7
- x1
 - x2
 - x2
 - x8
 - x10

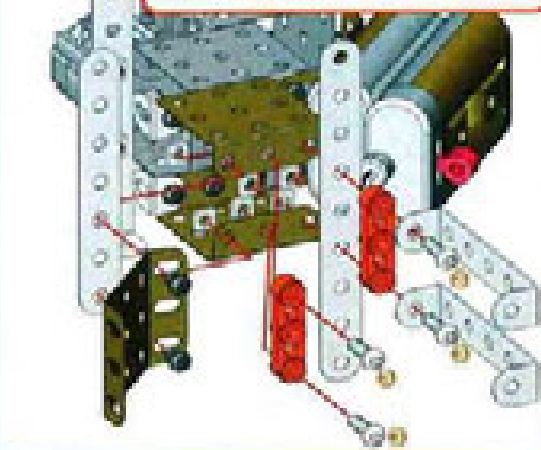


- 4
- x1
 - x3
 - x3
 - x1
 - x4

- 5
- x3
 - x3

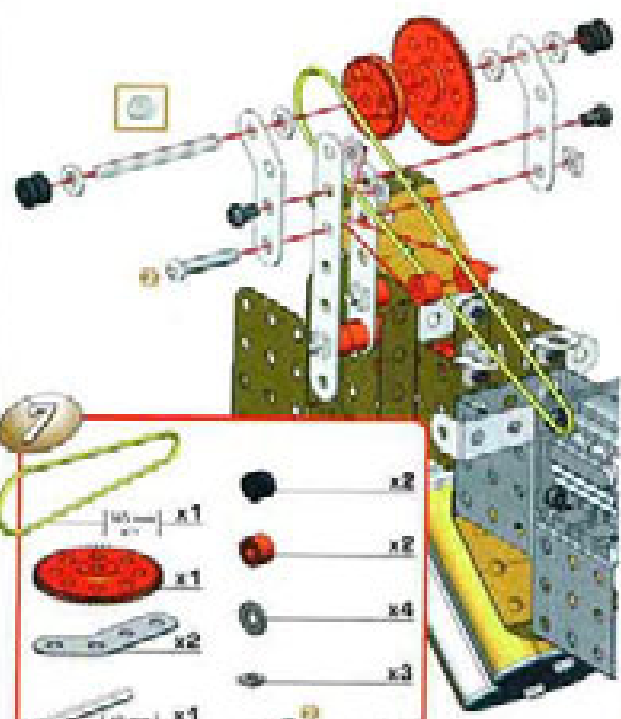


- 3
- x1
 - x2
 - x7
 - x6
 - x2
 - x4
 - x1
 - x2



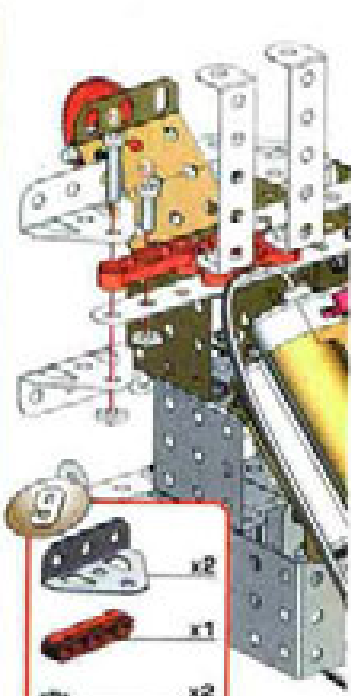
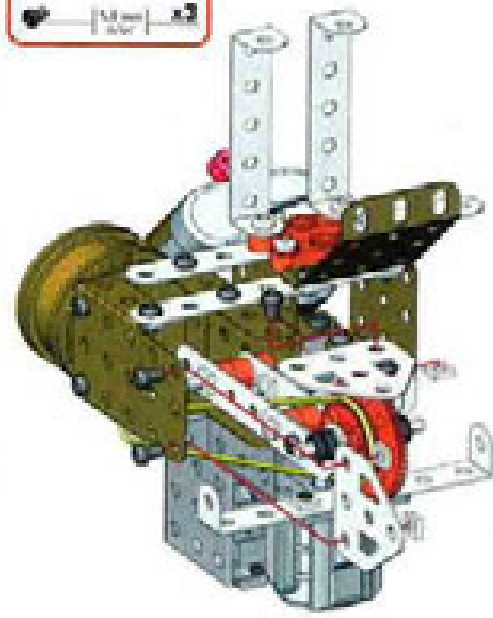
- 6
- x1
 - x1
 - x4
 - x2
 - x1
 - x1





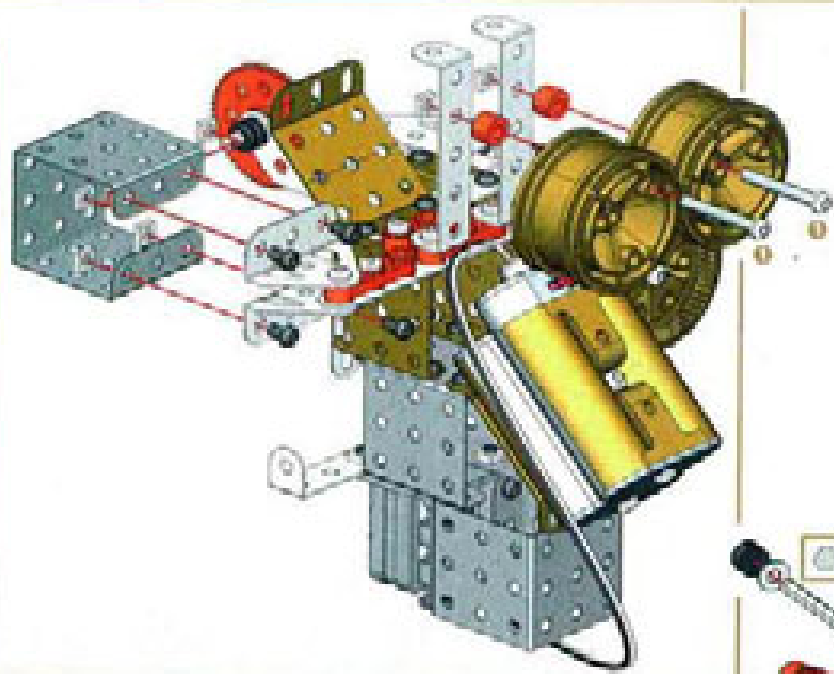
- 9
- x1
 - x1
 - x2
 - x1
 - x1
 - x2
 - x2
 - x4
 - x2
 - x1
 - x1
 - x2

- 8
- x2
 - x2
 - x2

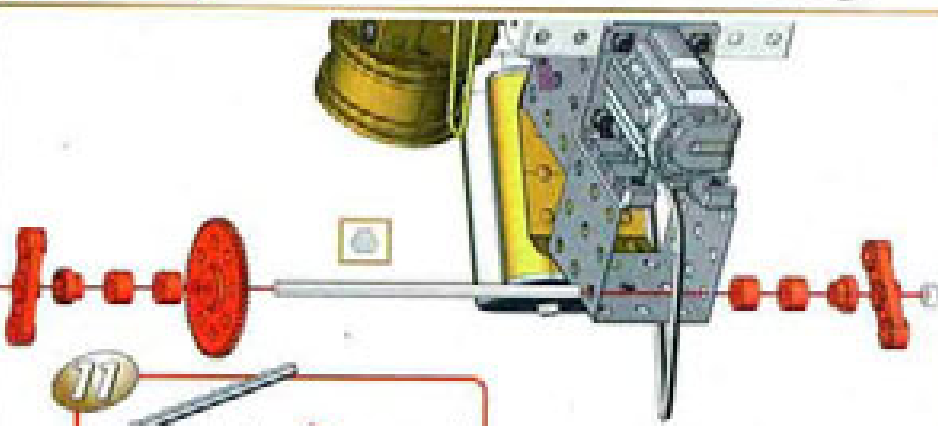


- 11
- x2
 - x1
 - x2
 - x1
 - x1
 - x1

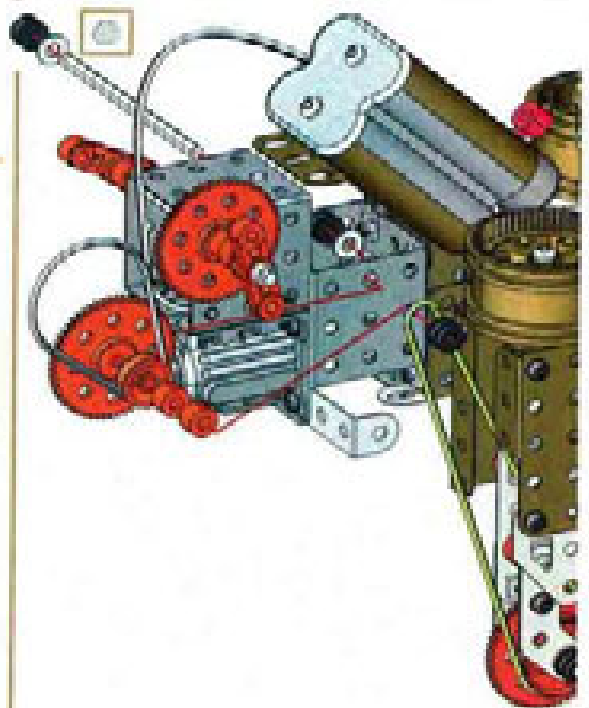
- 10
- x1
 - x2
 - x2
 - x6
 - x2
 - x4

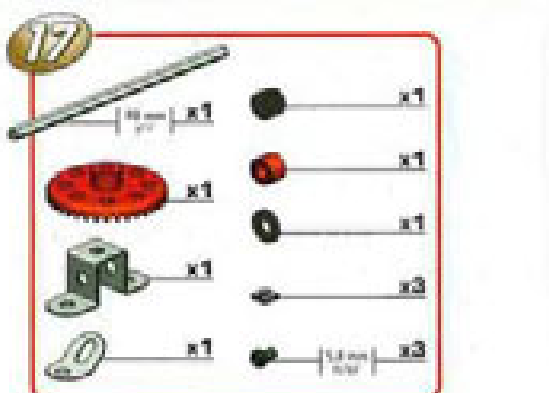
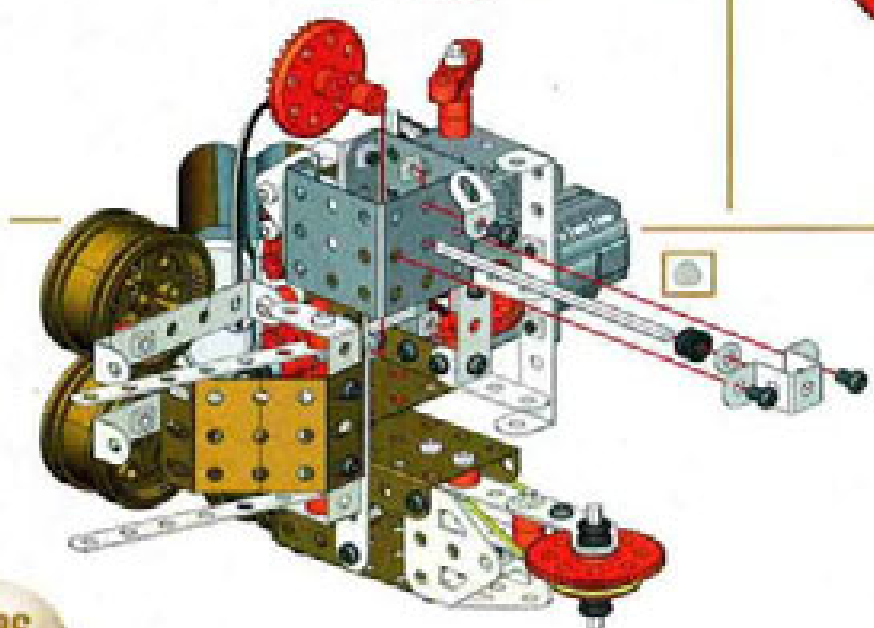
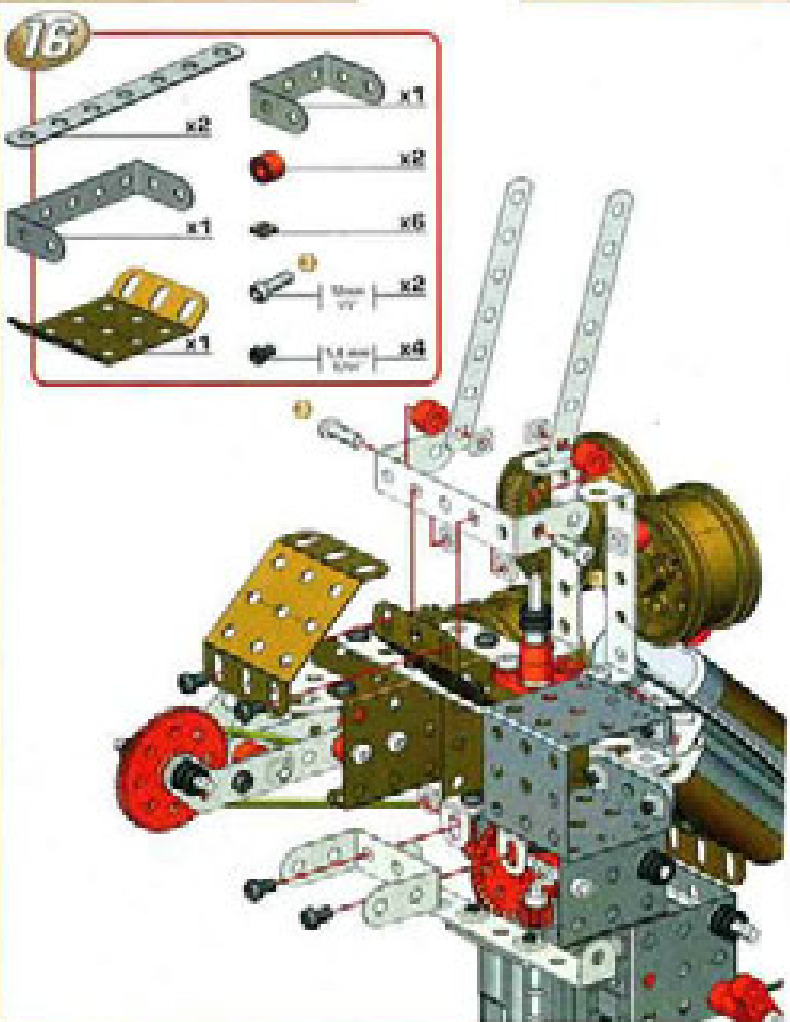
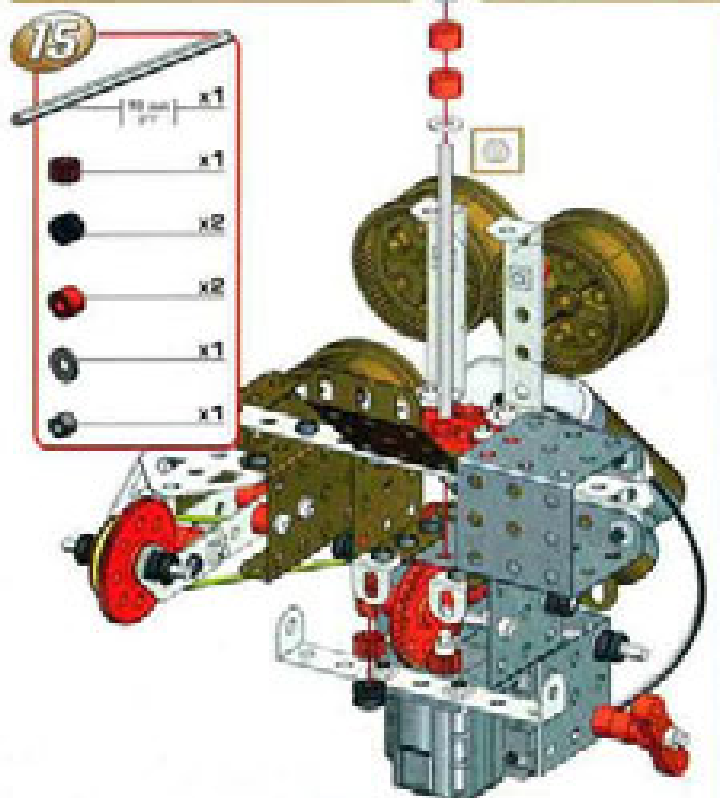
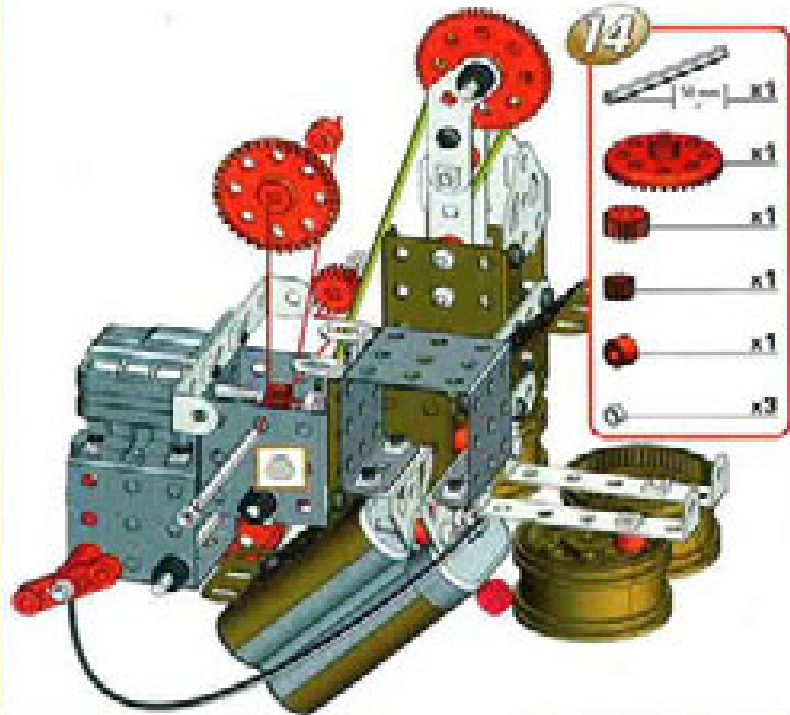
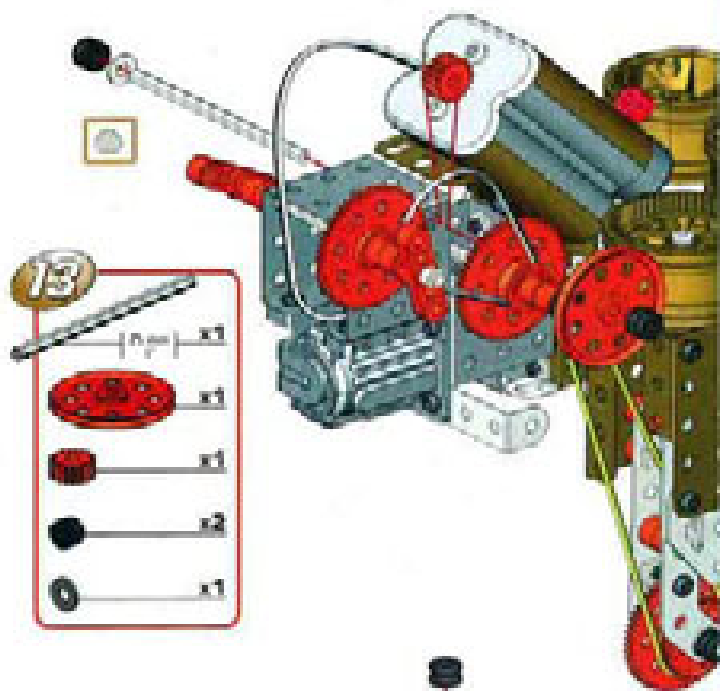


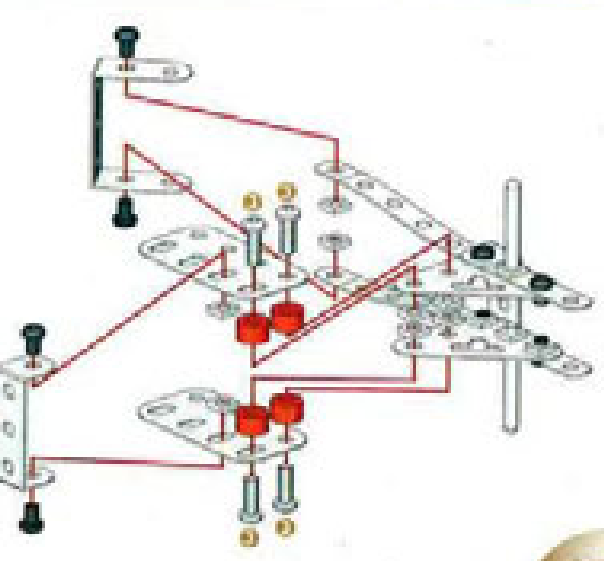
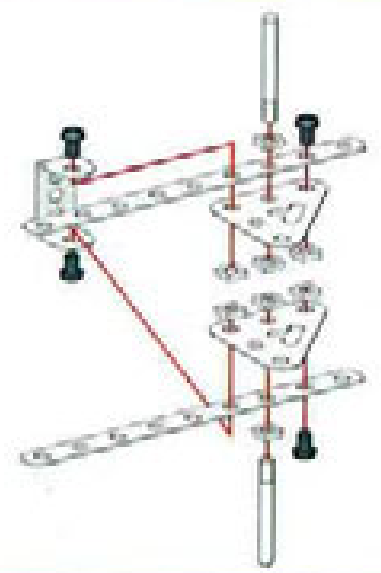
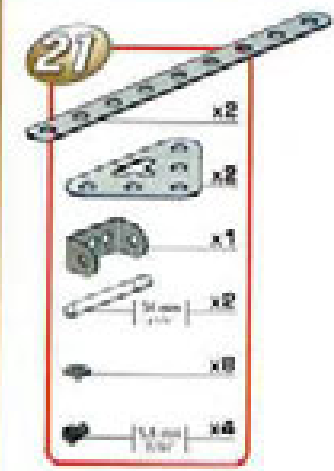
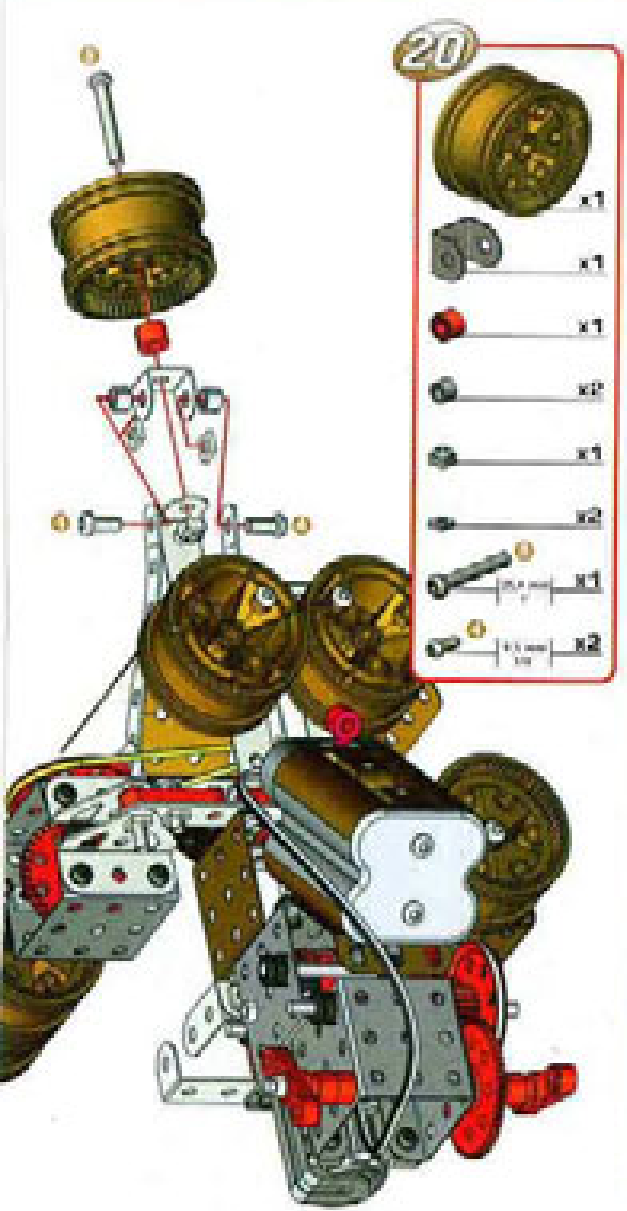
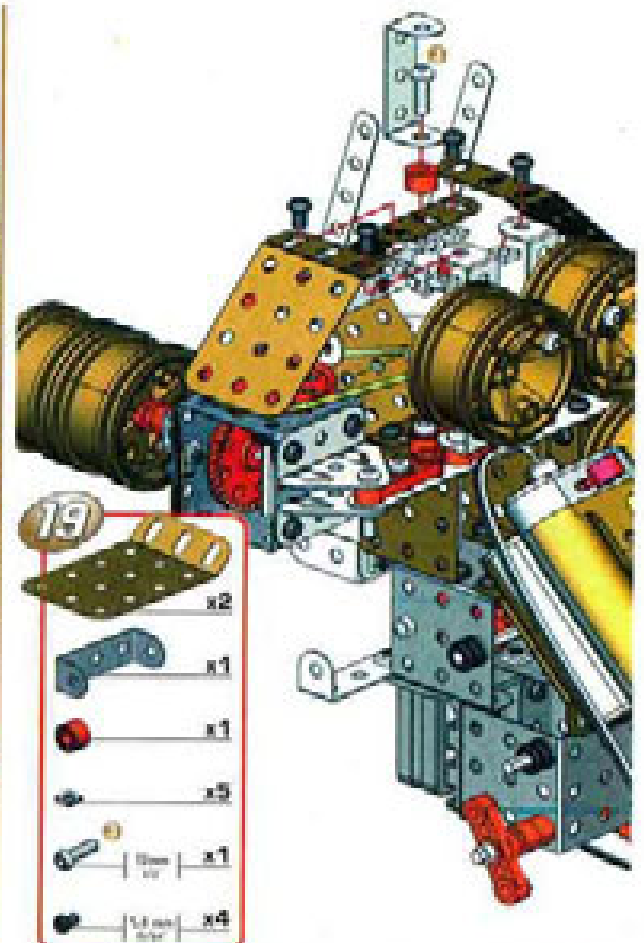
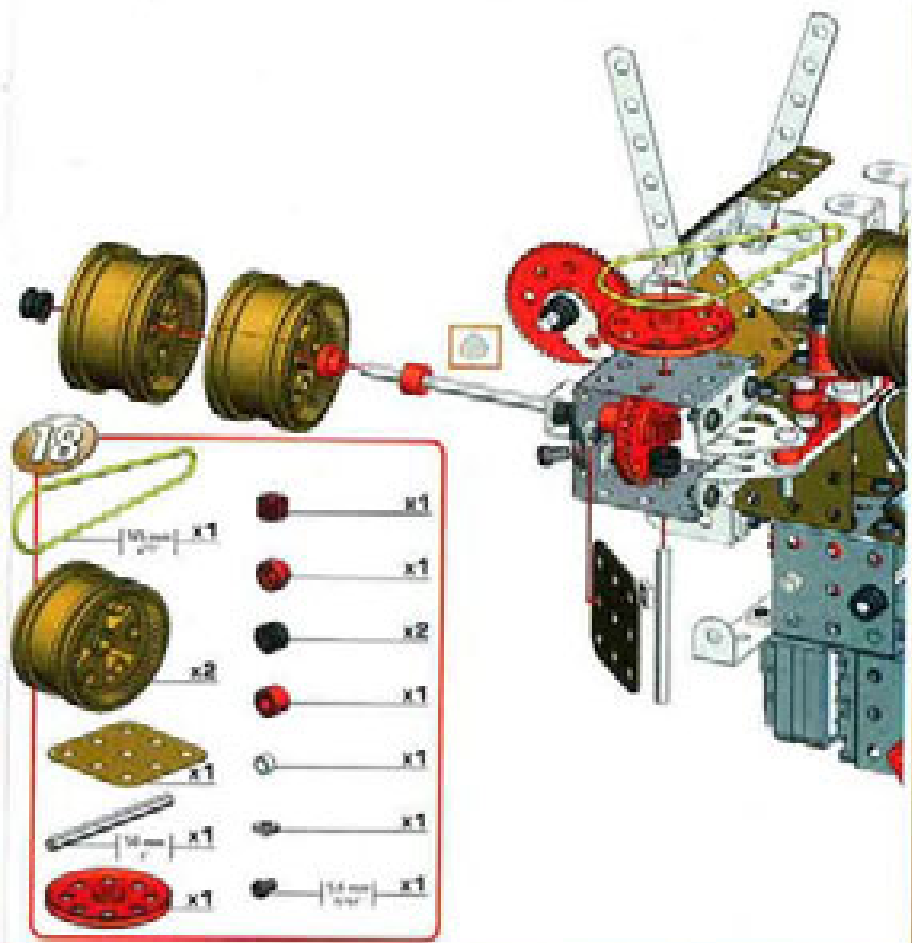
- 12
- x1
 - x1
 - x1
 - x1
 - x3
 - x2
 - x2



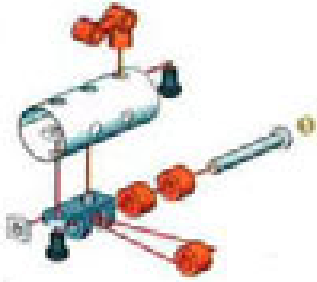
- 11
- x1
 - x1
 - x2
 - x2
 - x4
 - x2



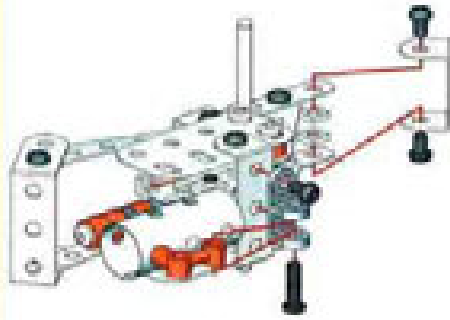




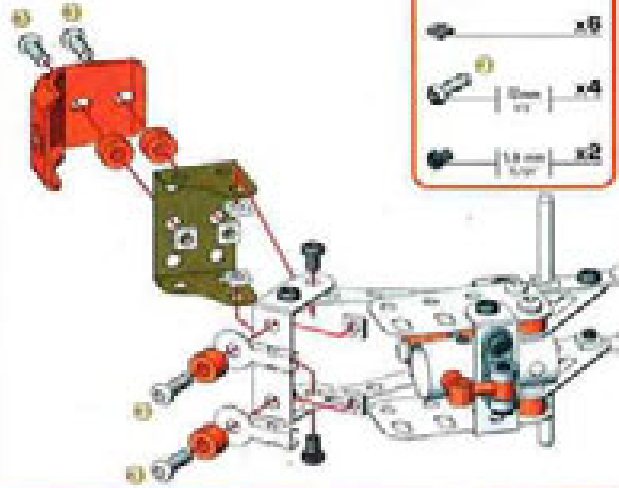
- 23
- x1
 - x1
 - x1
 - x3
 - x2
 - x1
 - x2



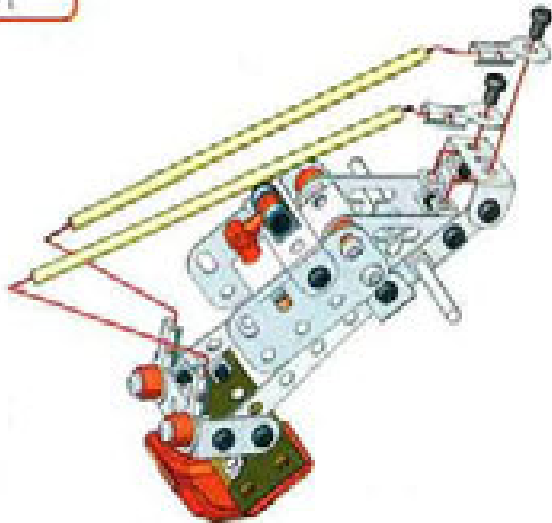
- 24
- x1
 - x1
 - x1
 - x3
 - x3



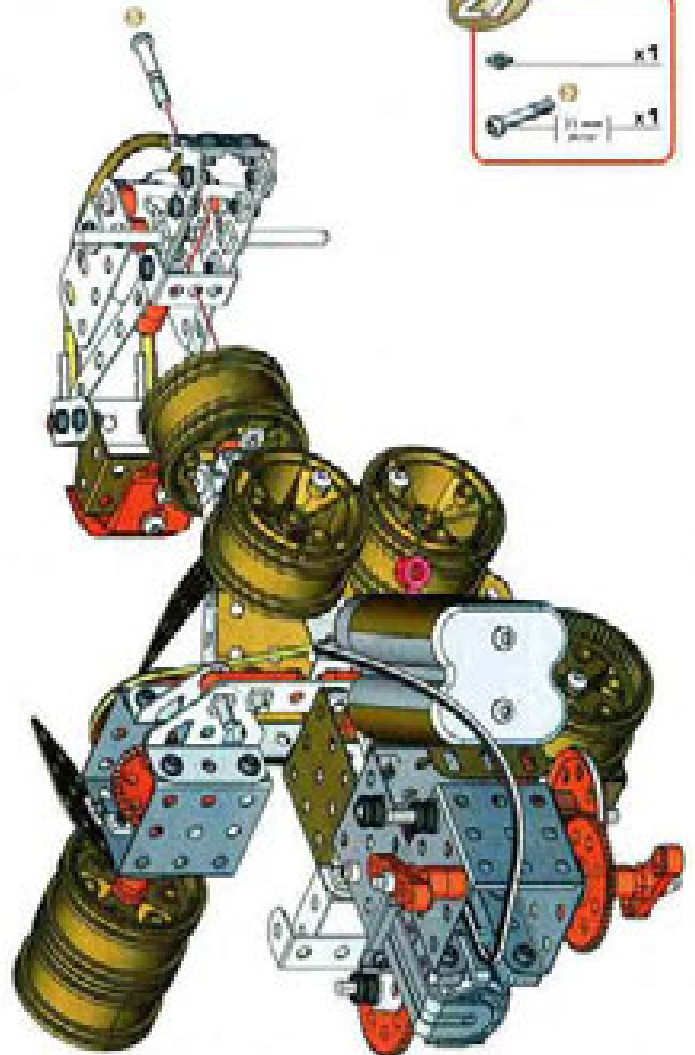
- 25
- x1
 - x1
 - x2
 - x4
 - x6
 - x4
 - x2



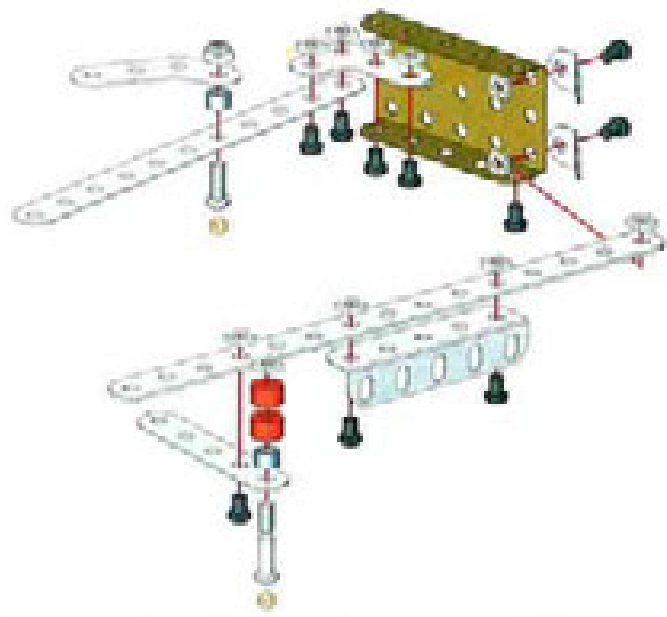
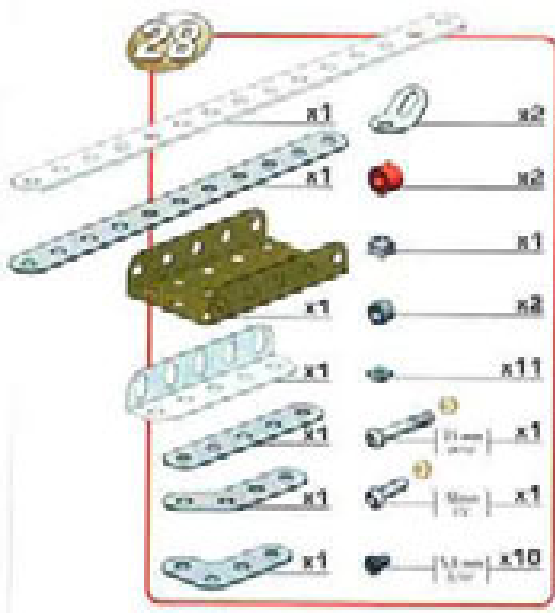
- 26
- x2
 - x2
 - x2
 - x2



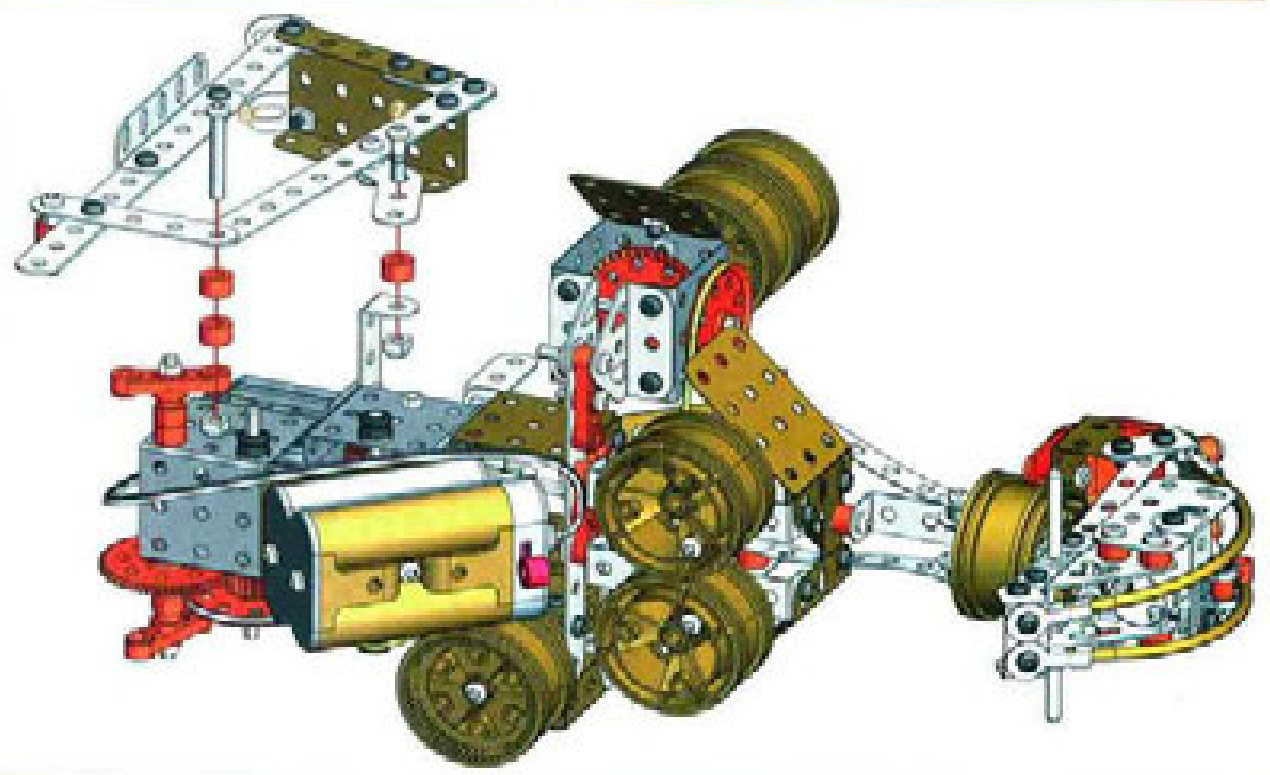
- 27
- x1
 - x1



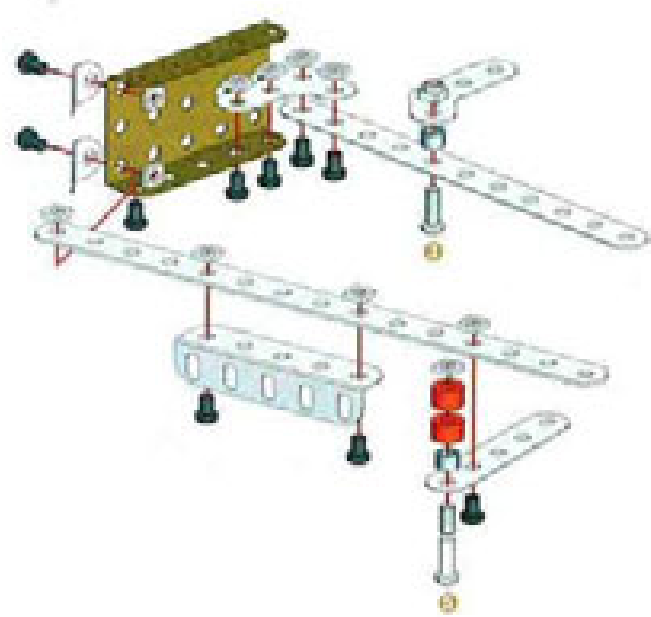
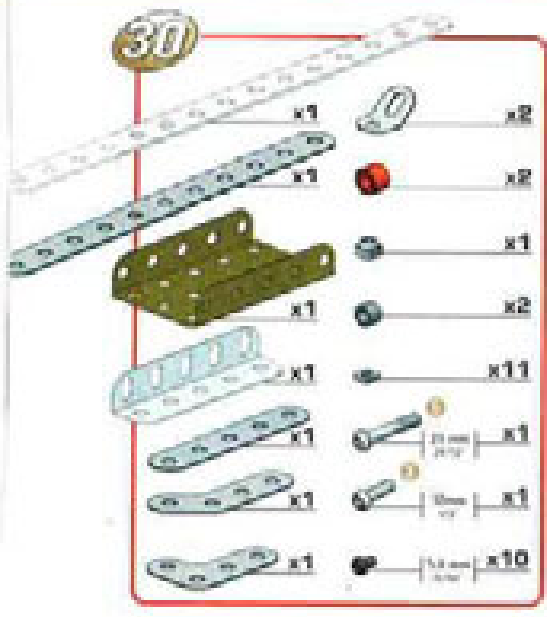
28



29

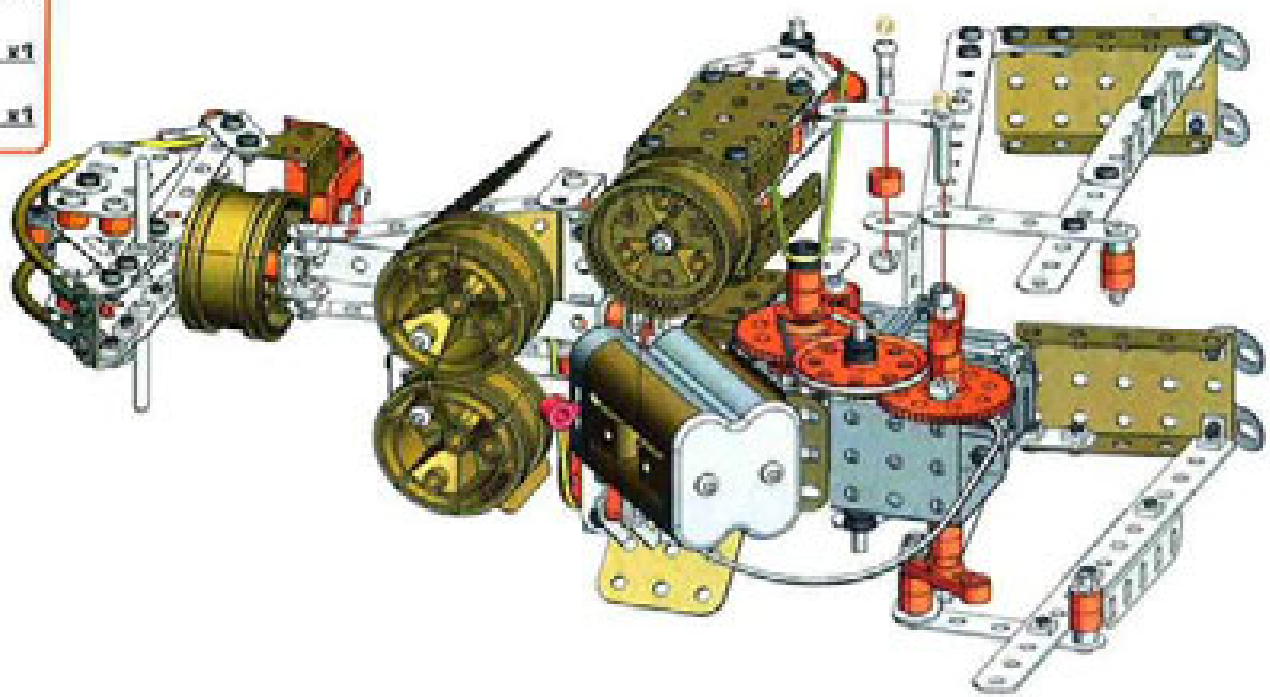


30



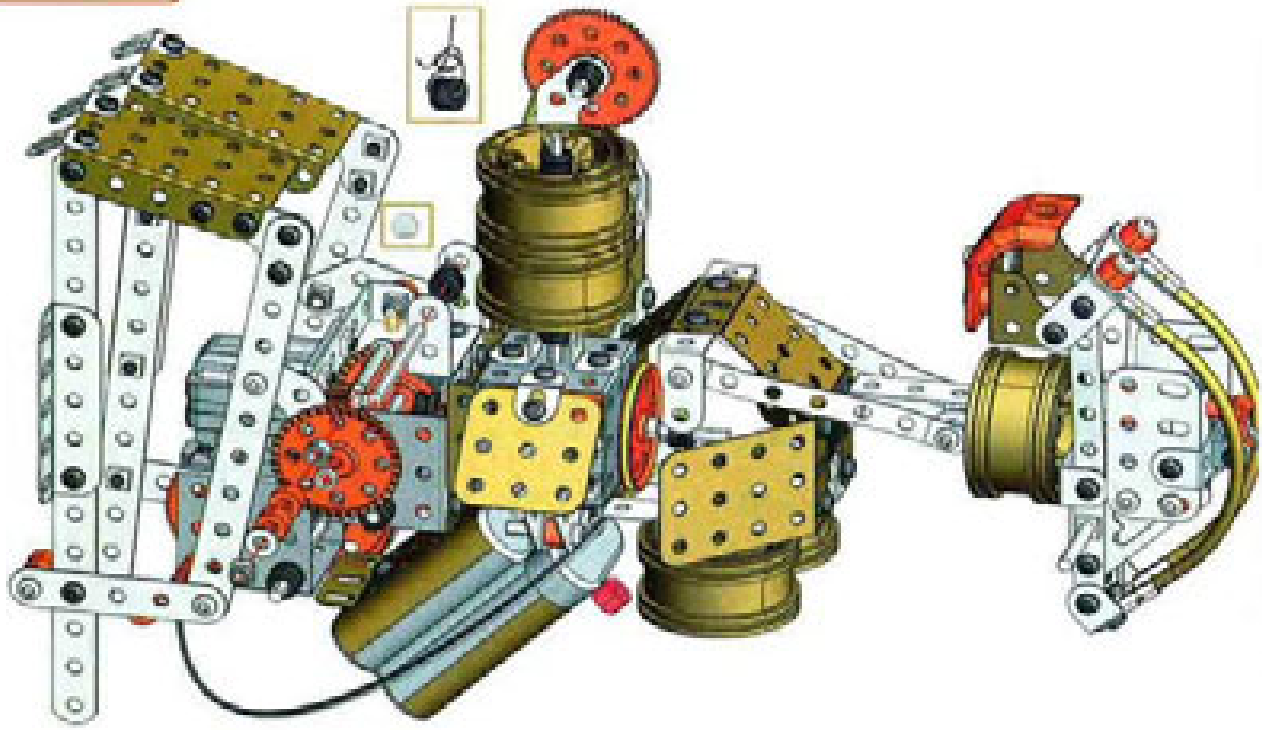
31

-  x1
-  x1
-  x2
-  x1
-  x1

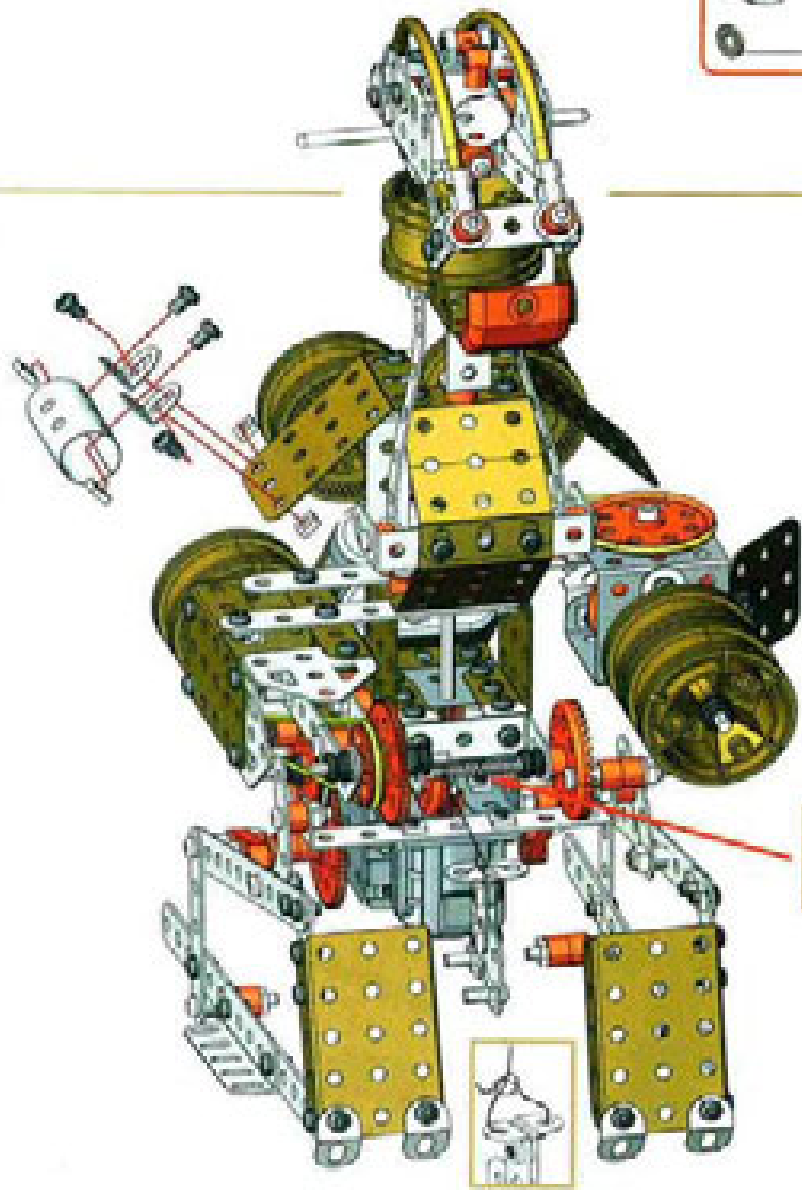
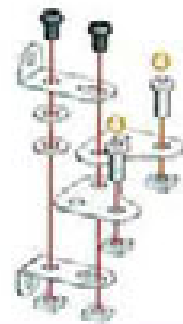


32

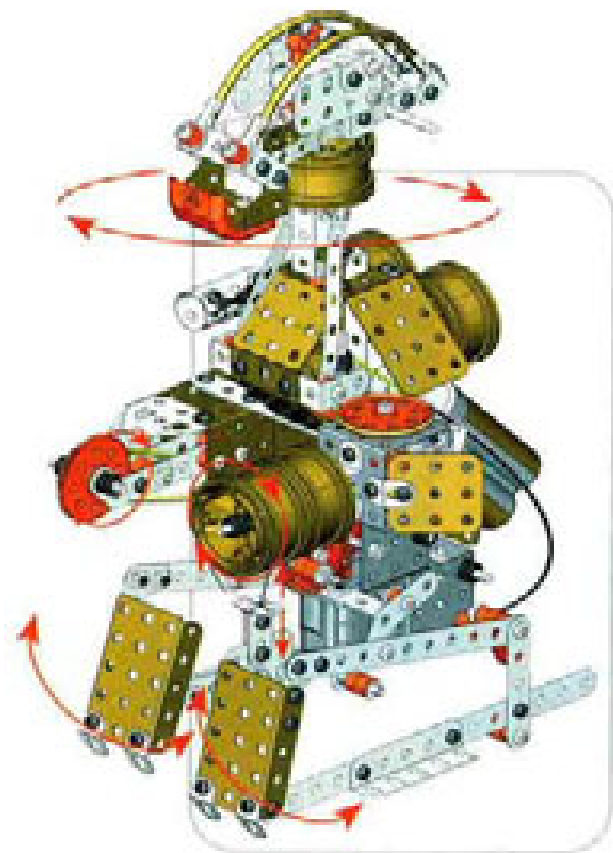
-  x1
-  x1
-  x1
-  x1
-  x2
-  x1
-  x1
-  x1
-  x1
-  x1

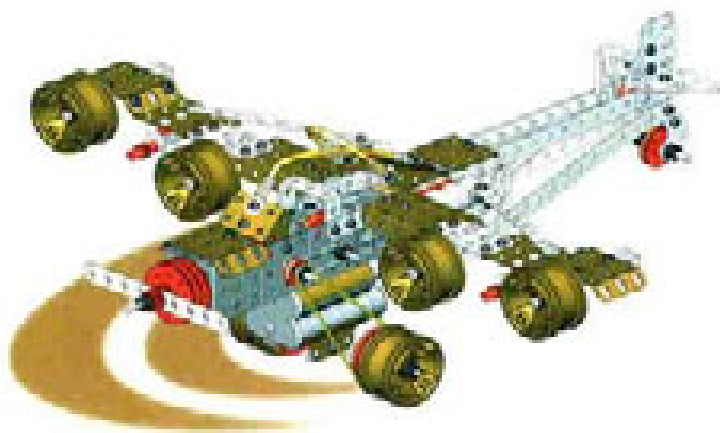


- 33**
- | | | | |
|---|----|--|----|
|  | x2 |  | x4 |
|  | x2 |  | x2 |
|  | x2 |  | x2 |

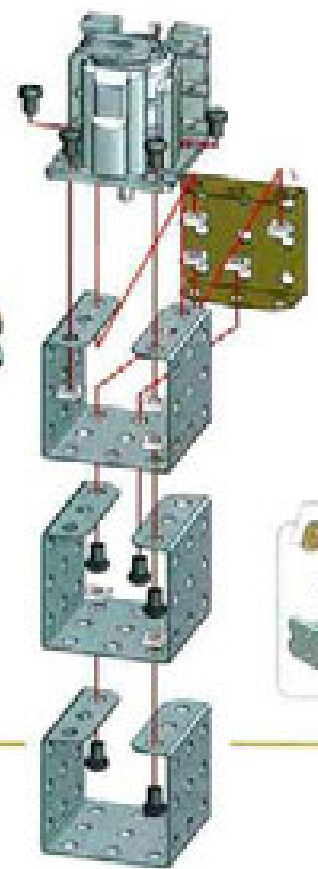


- 34**
- | | |
|---|----|
|  | x1 |
|  | x2 |
|  | x4 |
|  | x4 |

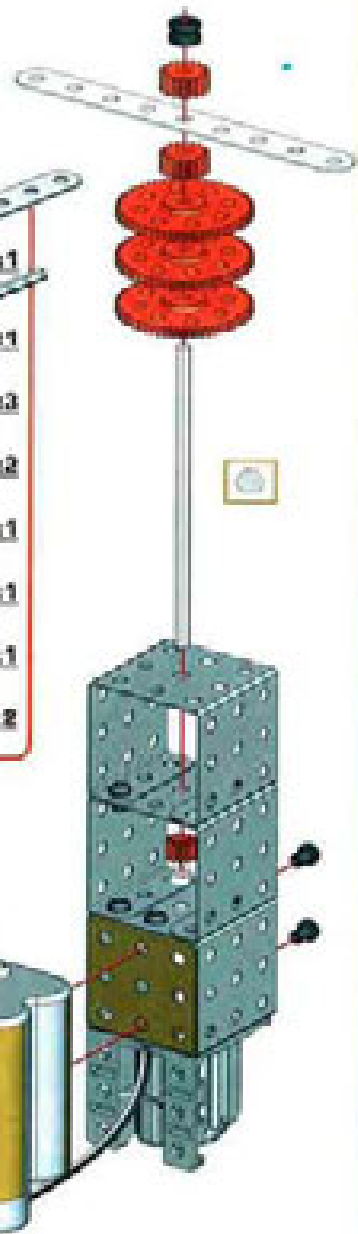




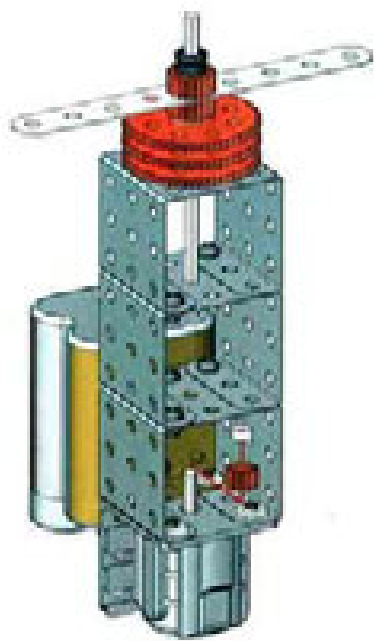
- 7
- x3
 - x1
 - x1
 - x2
 - x2



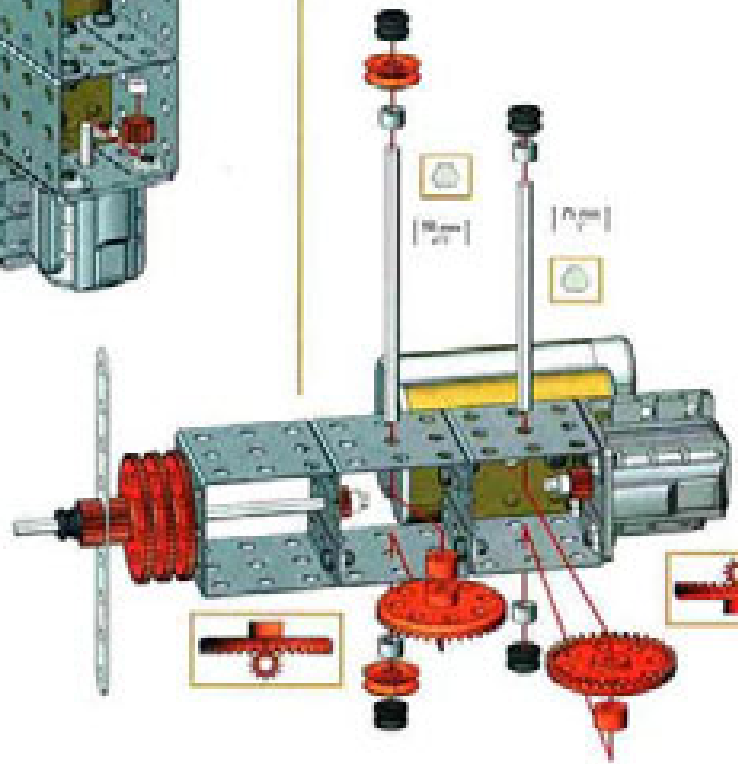
- 2
- x1
 - x1
 - x2
 - x2
 - x1
 - x1
 - x1
 - x2

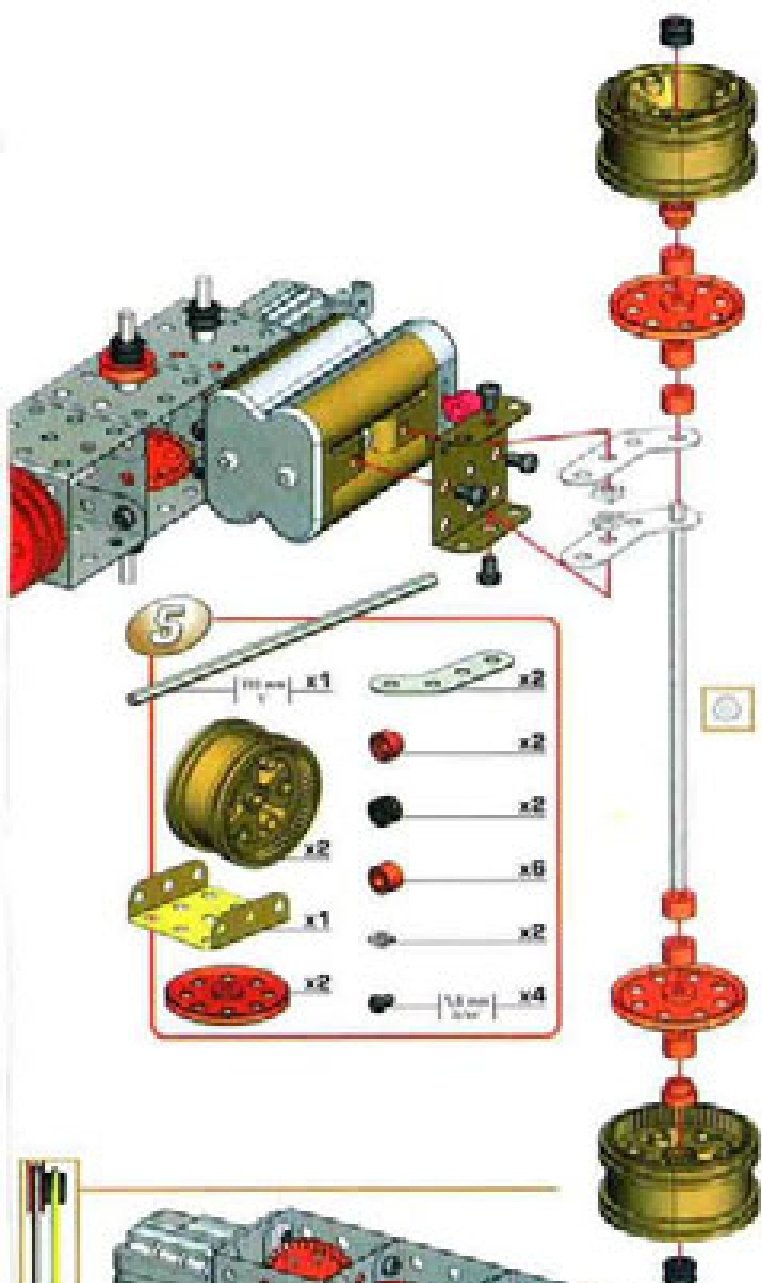


- 3
- x1
 - x1

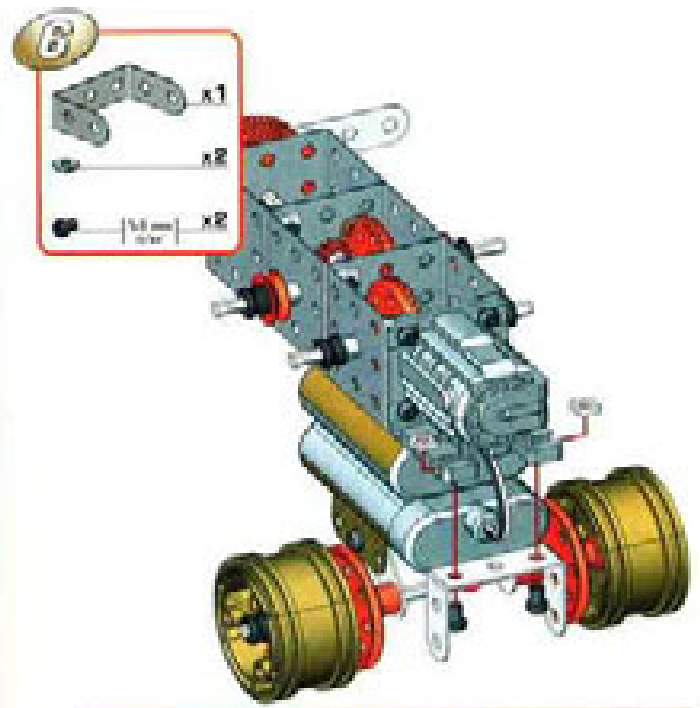


- 4
- x1
 - x1
 - x2
 - x1
 - x2
 - x2
 - x4

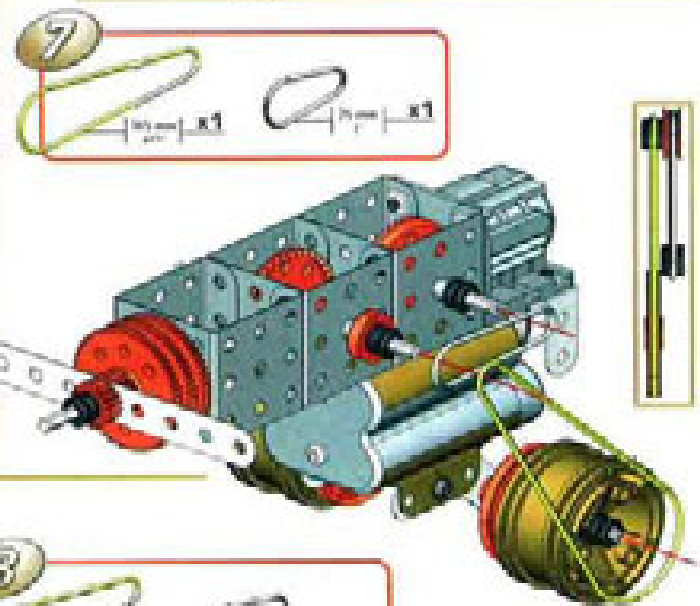




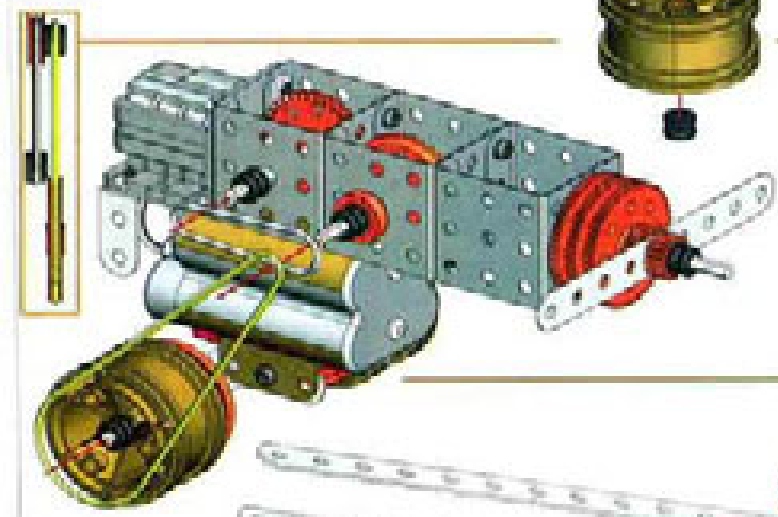
- 5**
- 100mm x1
 - 100mm x2
 - 100mm x2
 - 100mm x1
 - 100mm x2
 - 100mm x2
 - 100mm x6
 - 100mm x2
 - 100mm x2
 - 100mm x4



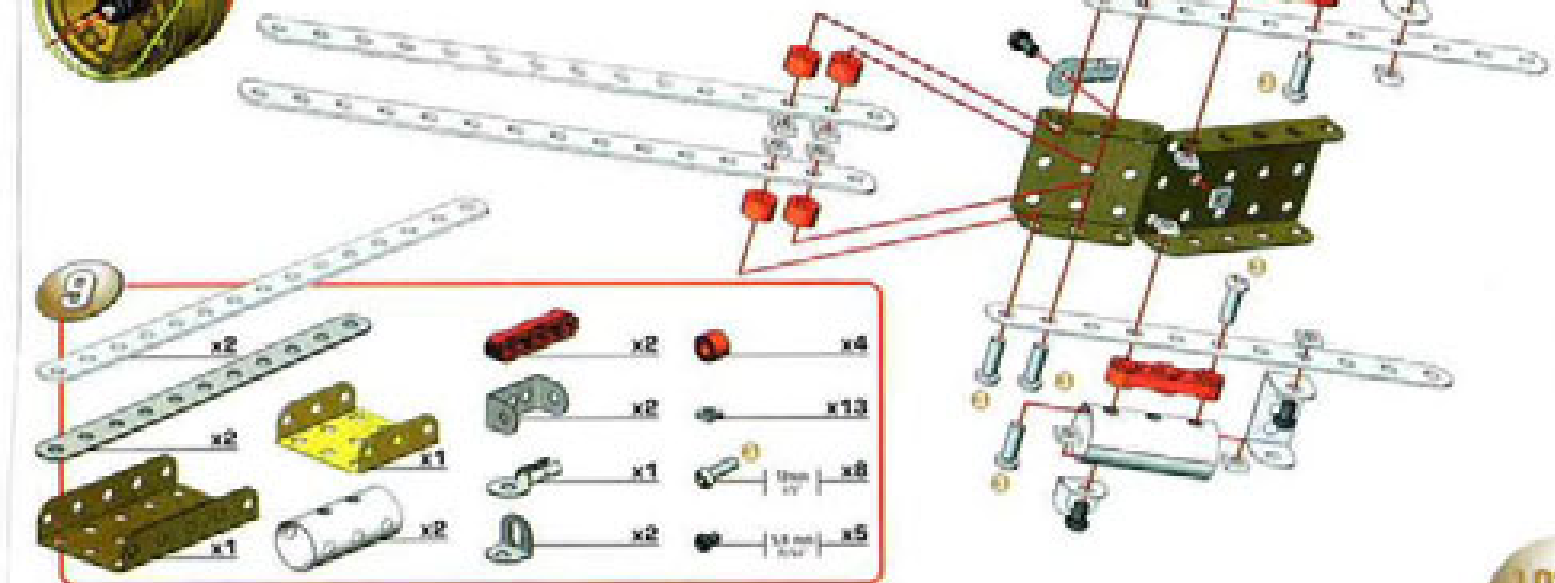
- 6**
- 100mm x1
 - 100mm x2
 - 100mm x2



- 7**
- 100mm x1
 - 100mm x1



- 8**
- 100mm x1
 - 100mm x1

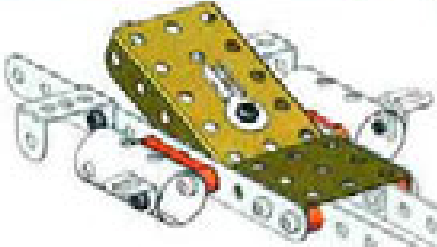
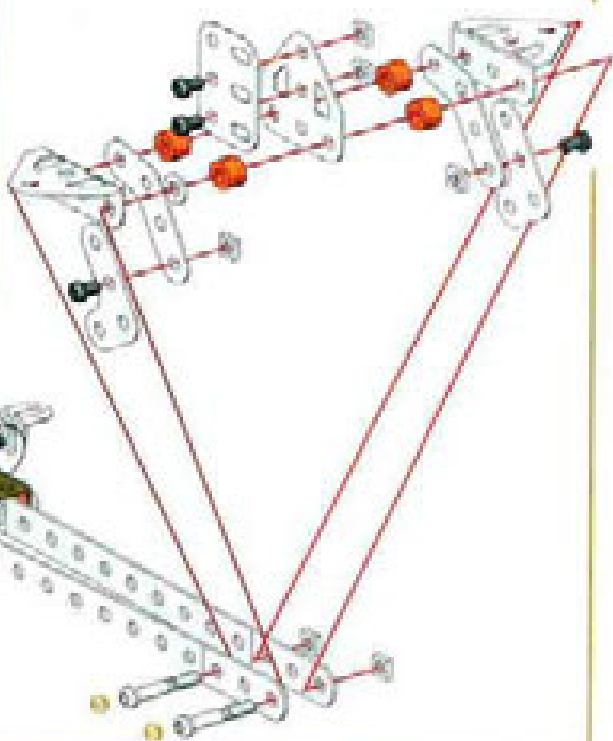


- 9**
- 100mm x2
 - 100mm x2
 - 100mm x1
 - 100mm x1
 - 100mm x2
 - 100mm x2
 - 100mm x2
 - 100mm x2
 - 100mm x4
 - 100mm x13
 - 100mm x8
 - 100mm x5








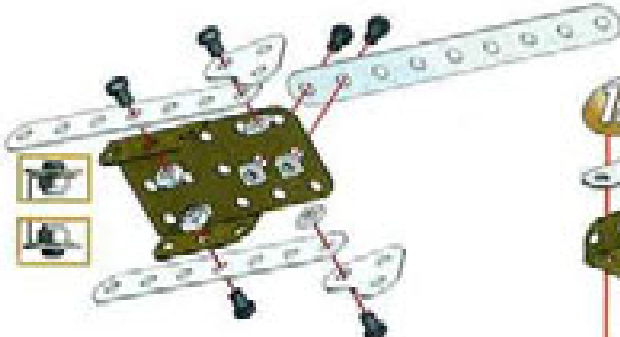
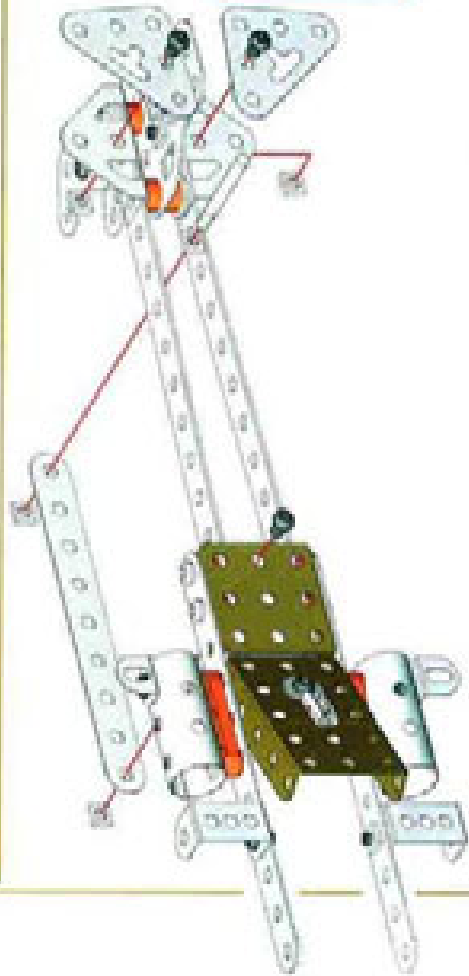
10

-  x2
-  x1
-  x1
-  x2
-  x2
-  x4
-  x1
-  x6
-  x2
-  x4










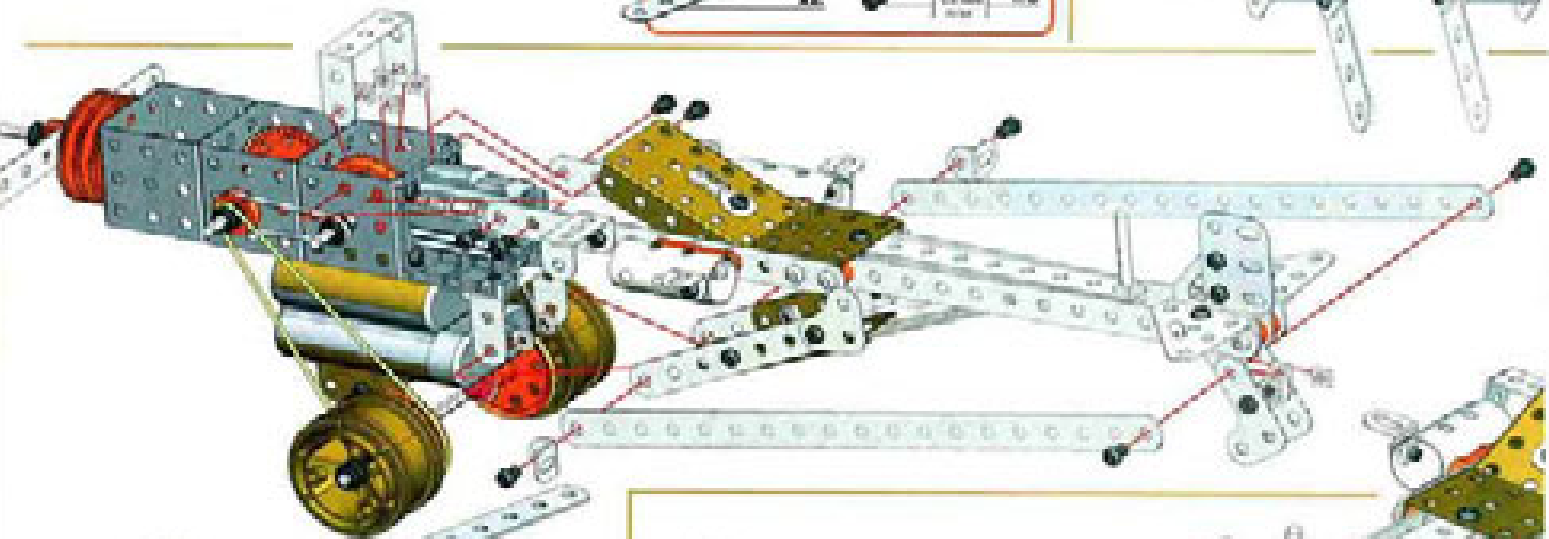
11

-  x1
-  x2
-  x1
-  x5
-  x2



12

-  x1
-  x2
-  x1
-  x2
-  x2
-  x4
-  x8

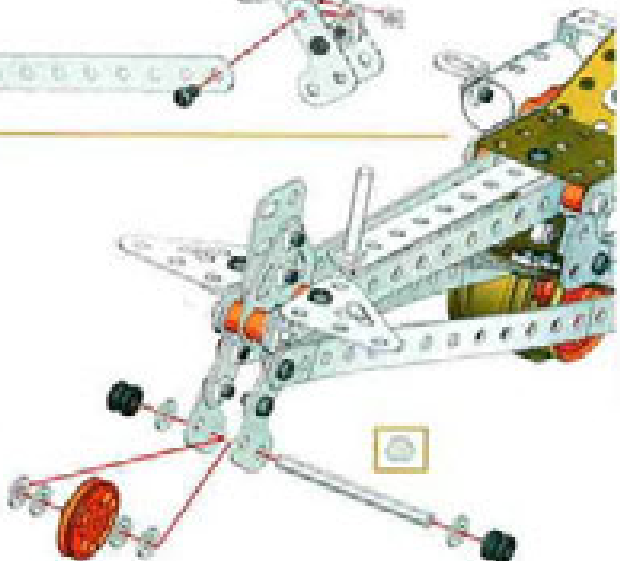


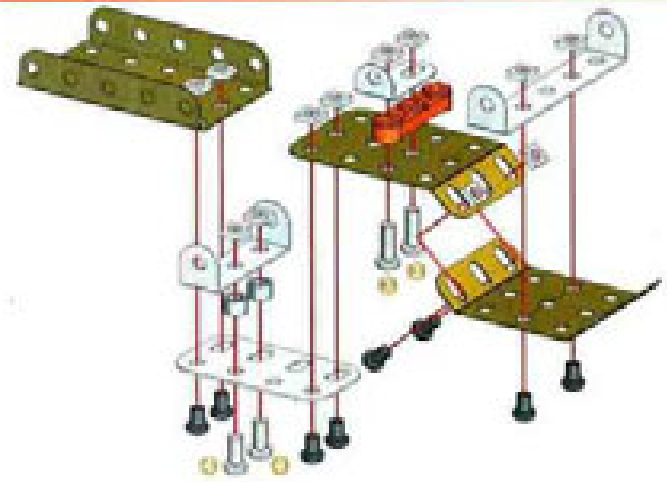
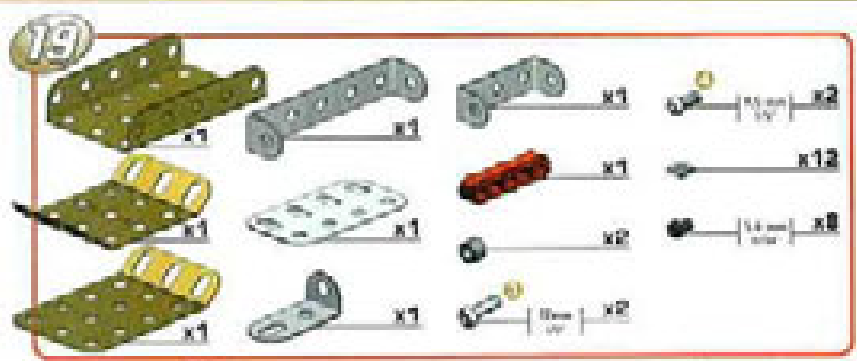
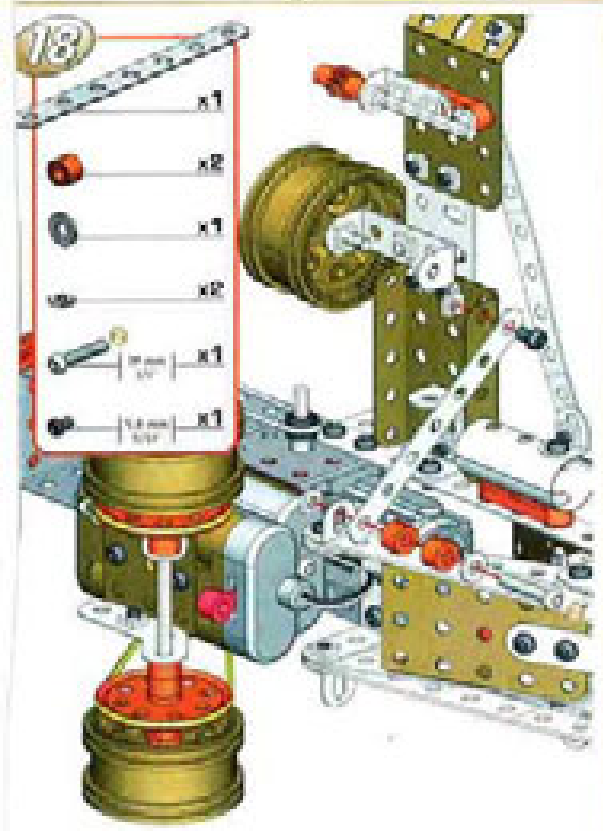
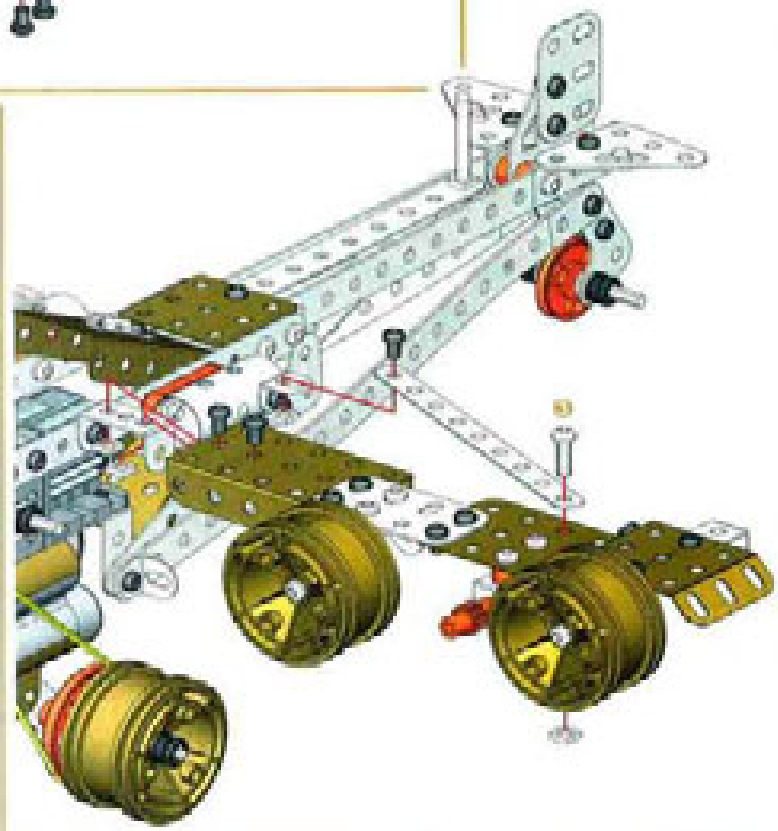
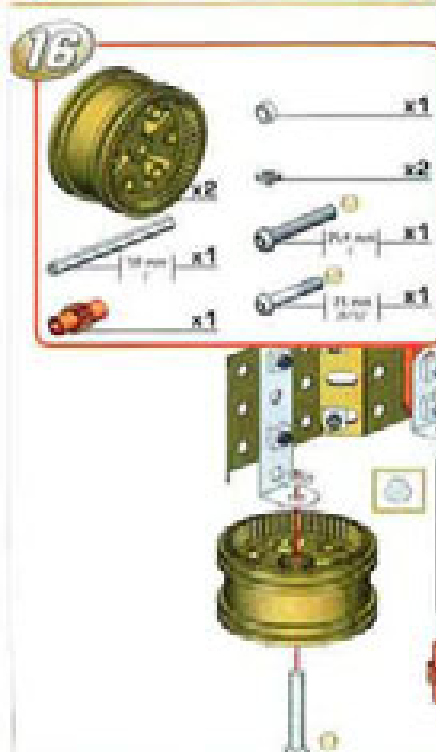
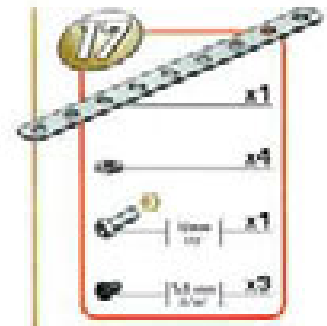
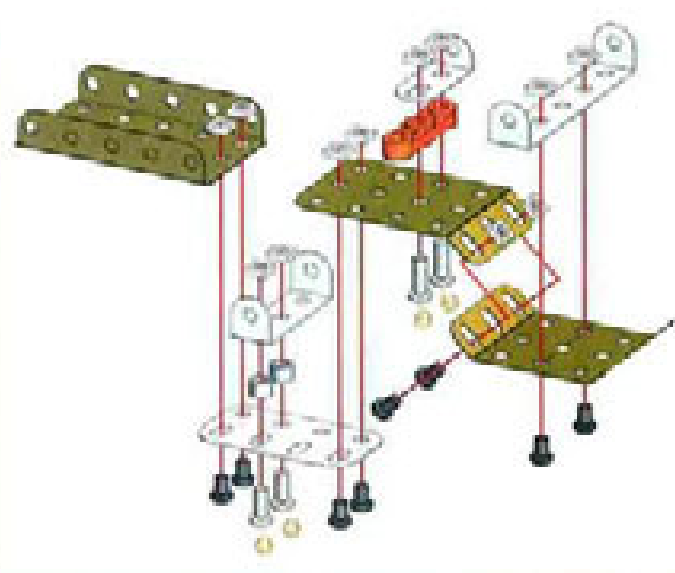
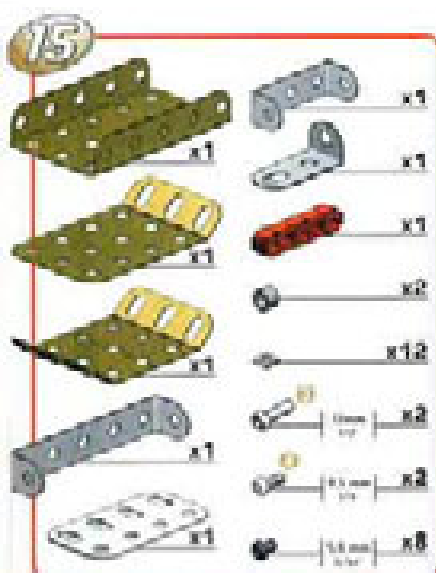
13

-  x2
-  x1
-  x2
-  x8
-  x8

14

-  x1
-  x1
-  x2
-  x6





20



x2



x1



x1



x1



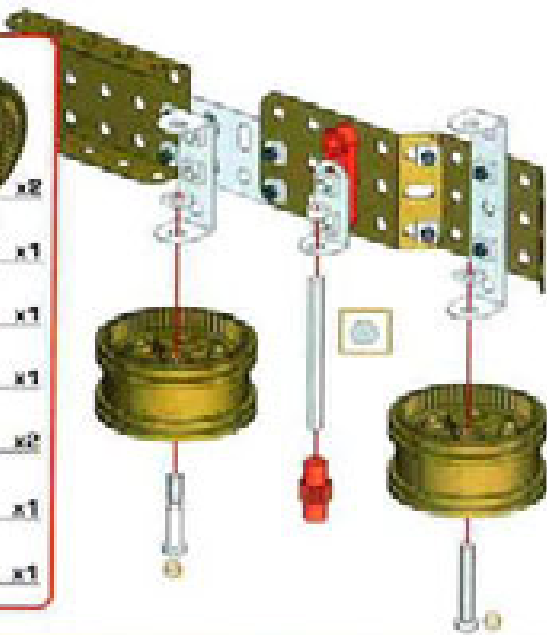
x2



x1

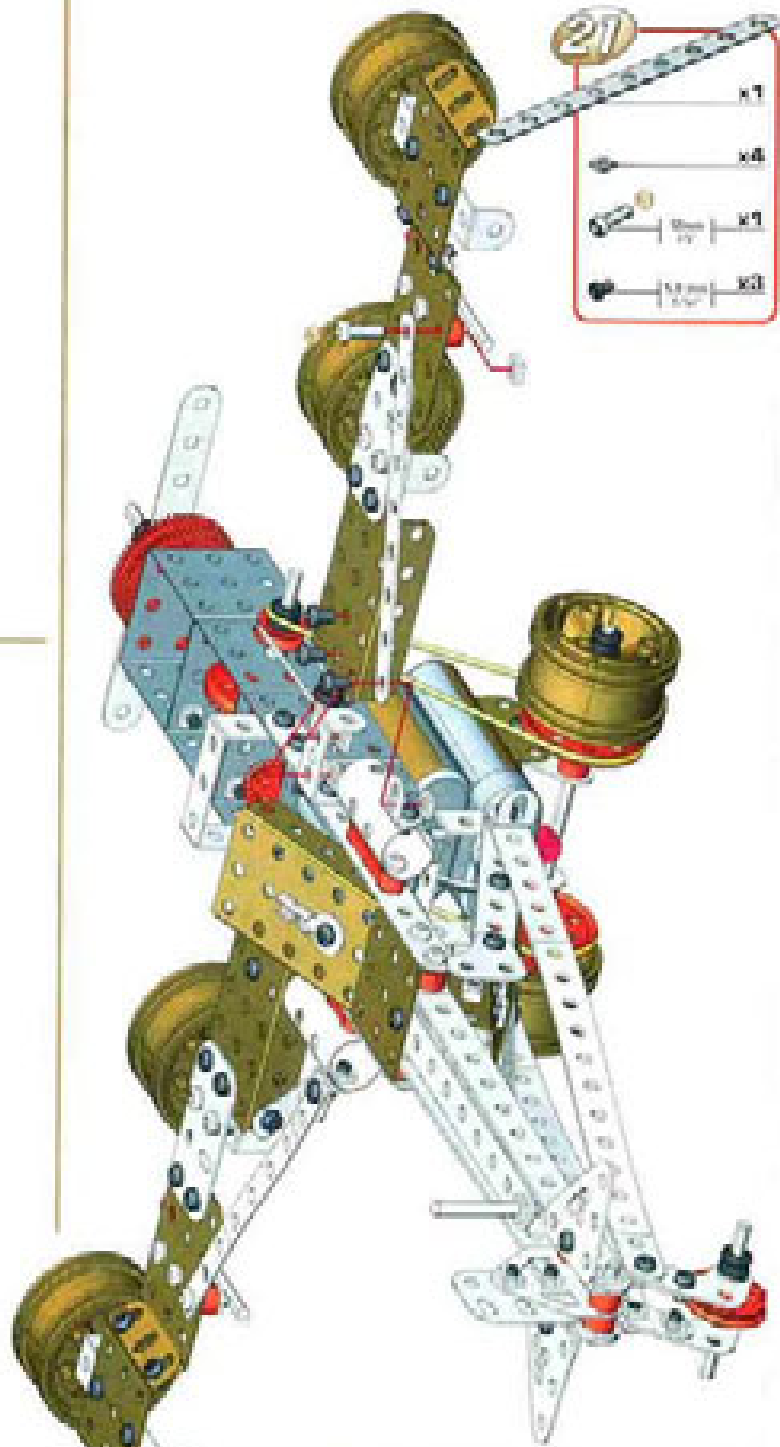


x1









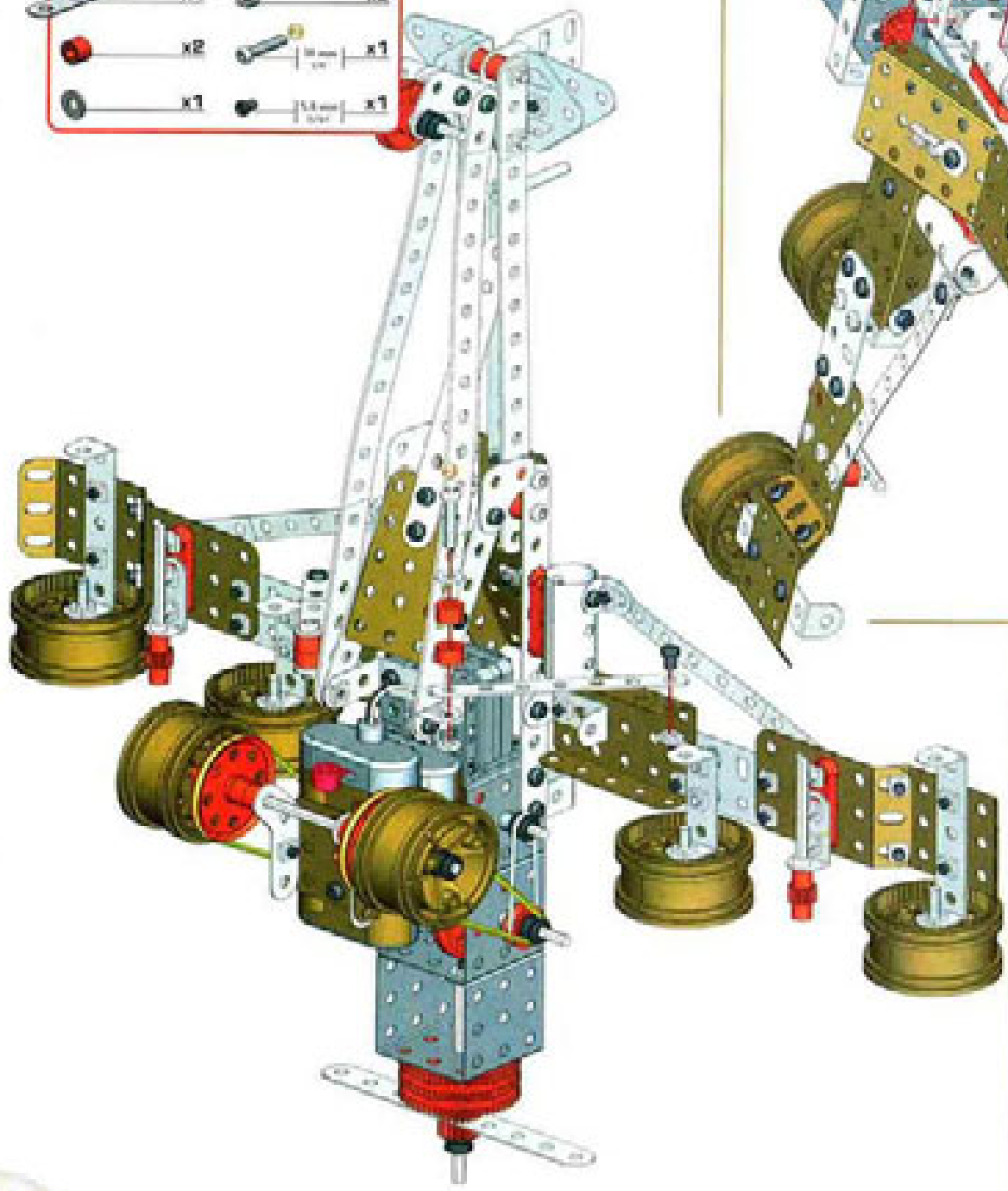
21

-  x1
-  x4
-  x1
-  x2



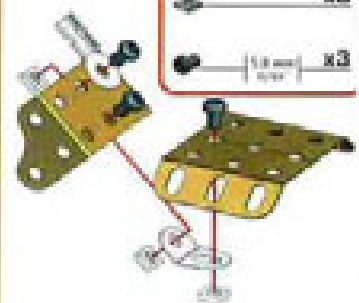
22




-  x1
-  x2
-  x2
-  x1
-  x1
-  x1

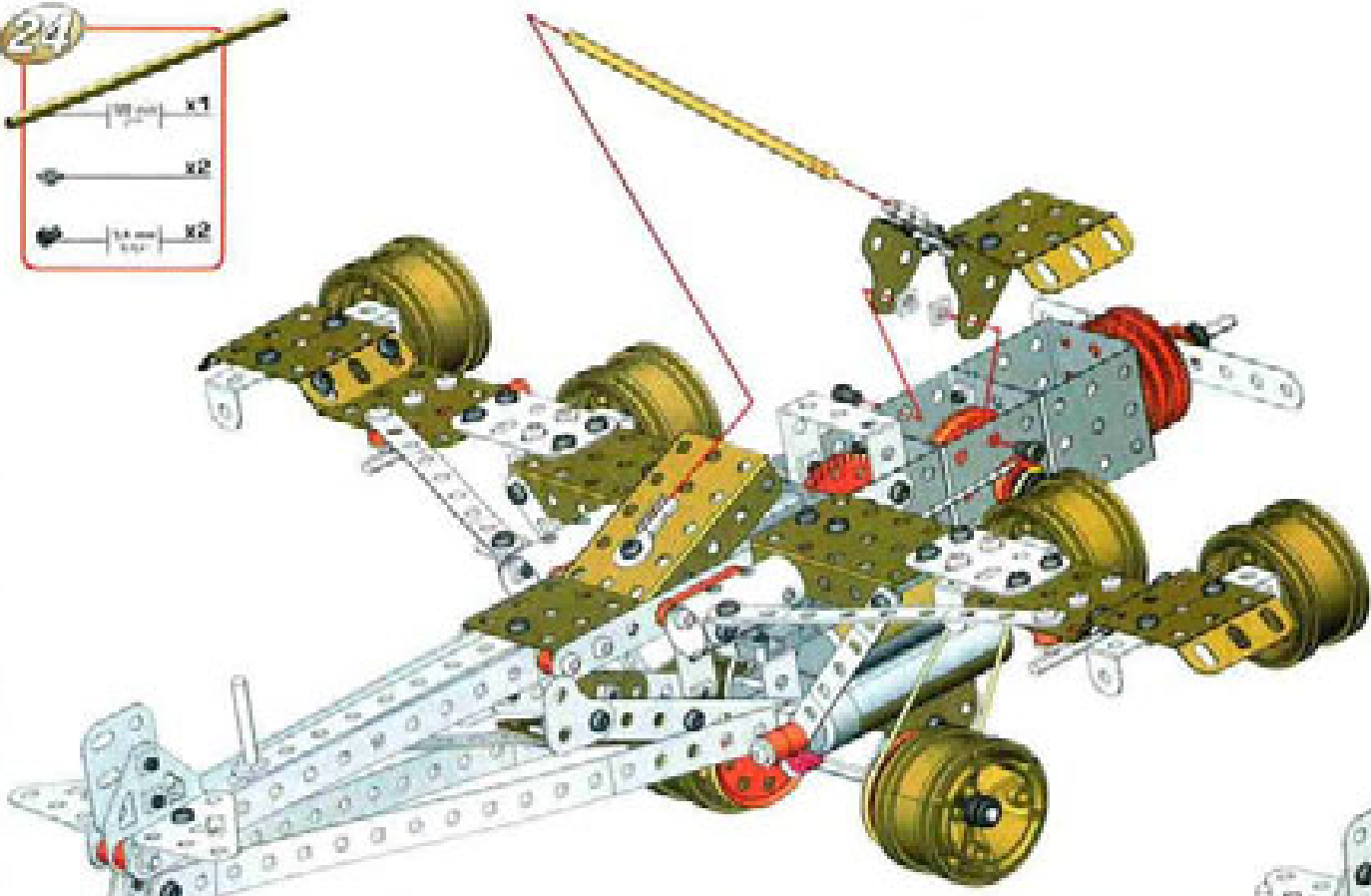


23

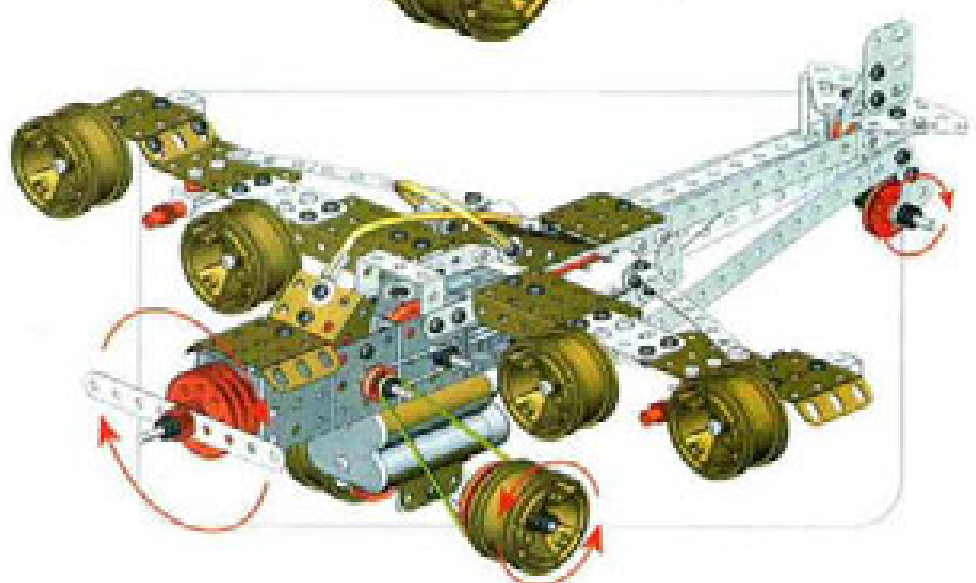
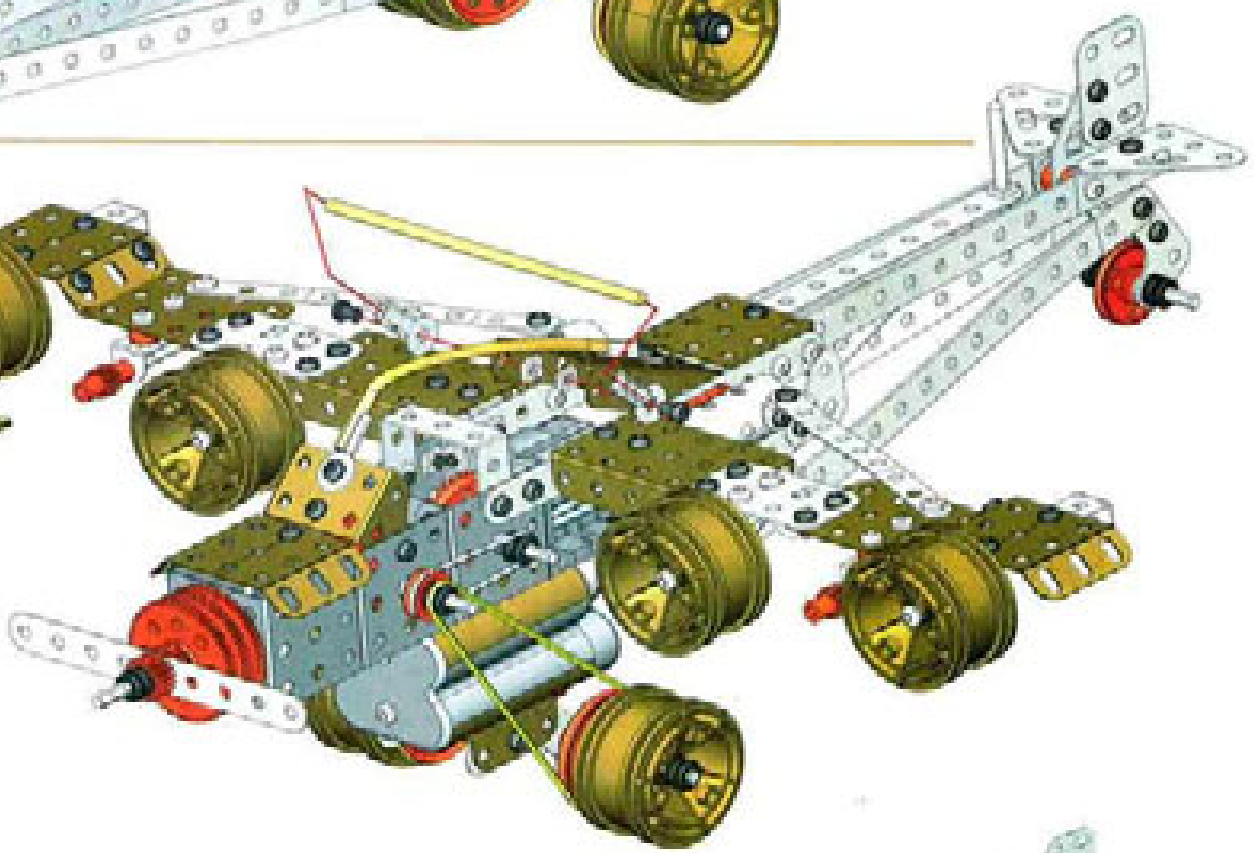
-  x1
-  x1
-  x1
-  x1
-  x2
-  x2

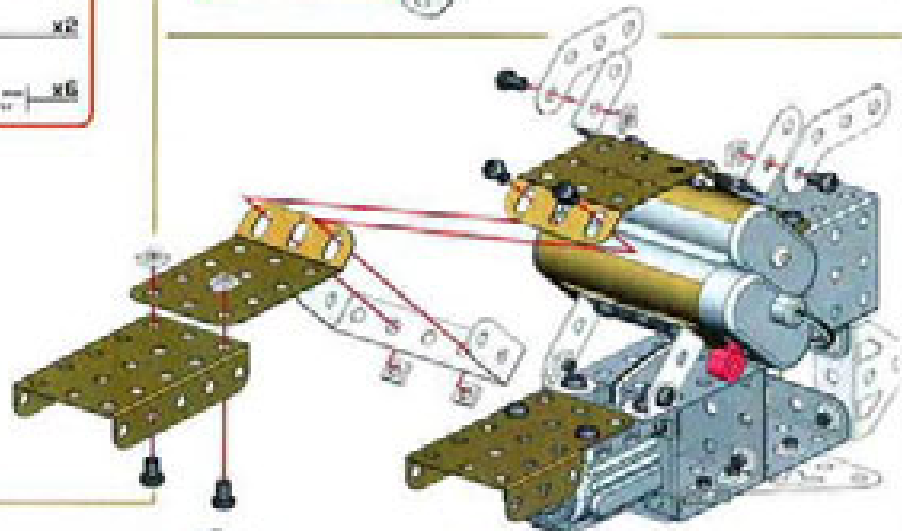
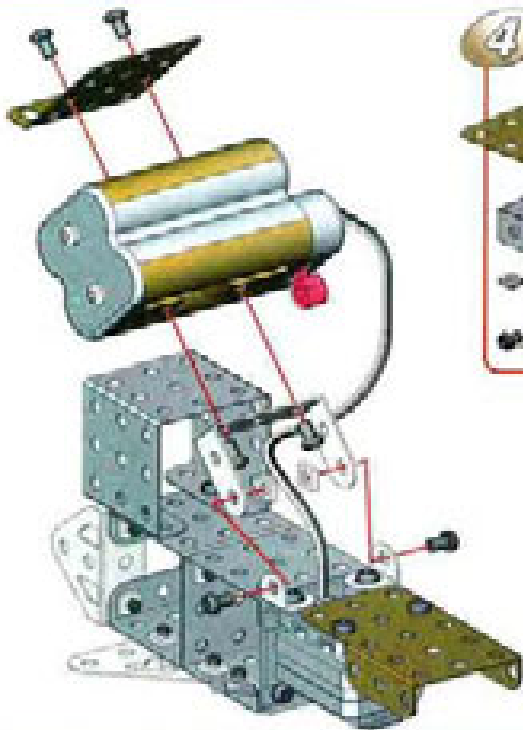
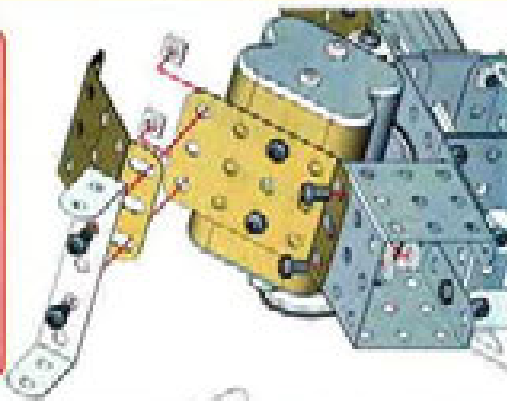
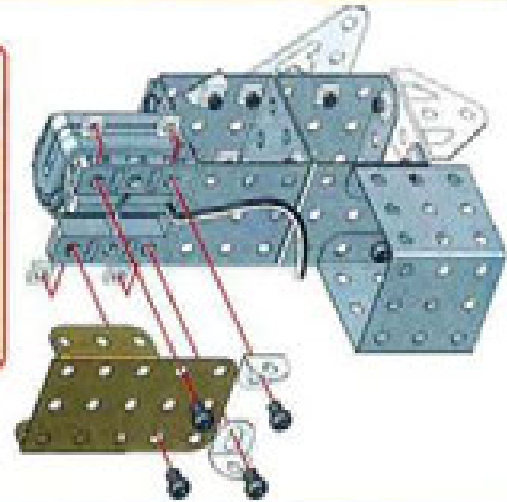
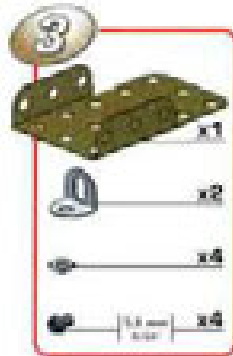
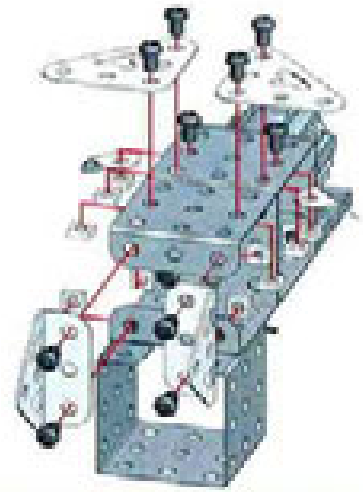
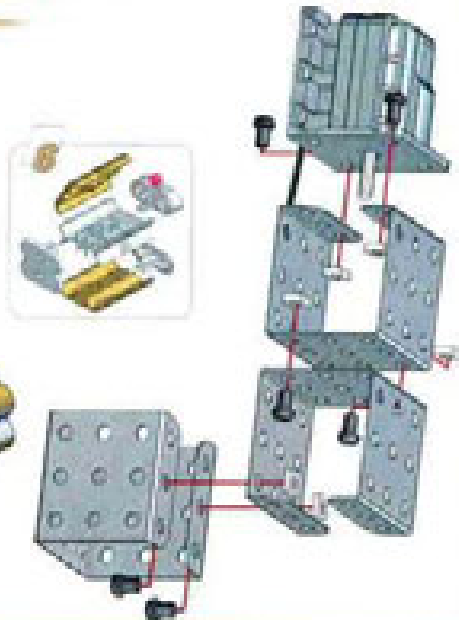
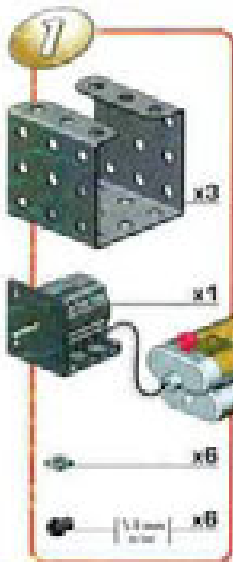
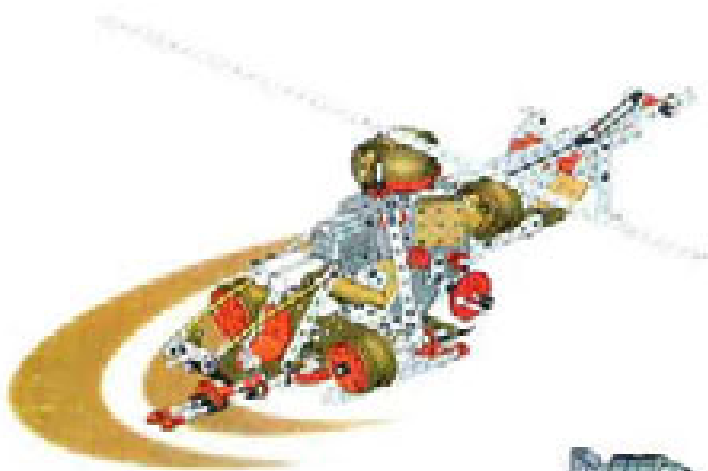


- 24
-  x1
 -  x2
 -  x2

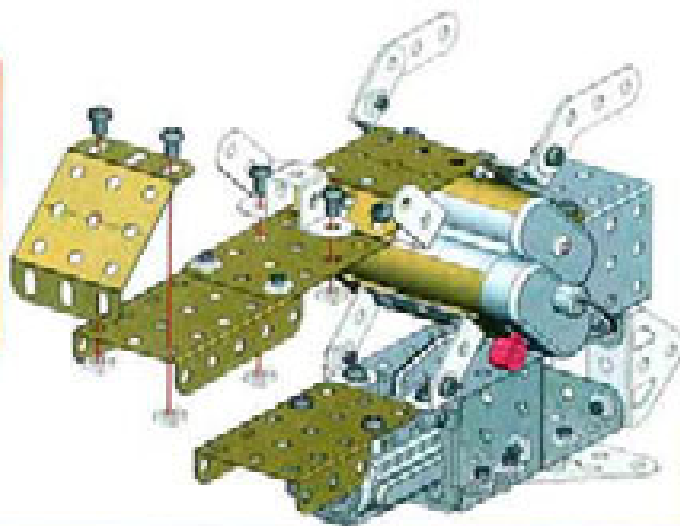


- 25
-  x1
 -  x2
 -  x2
 -  x2

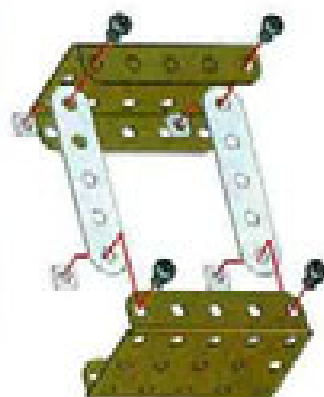




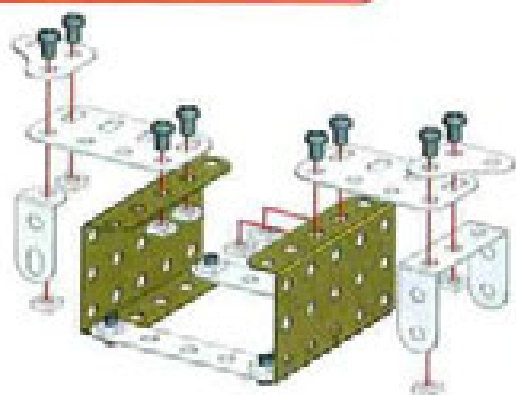
- 7**
- x1
 - x1
 - x4
 - x4



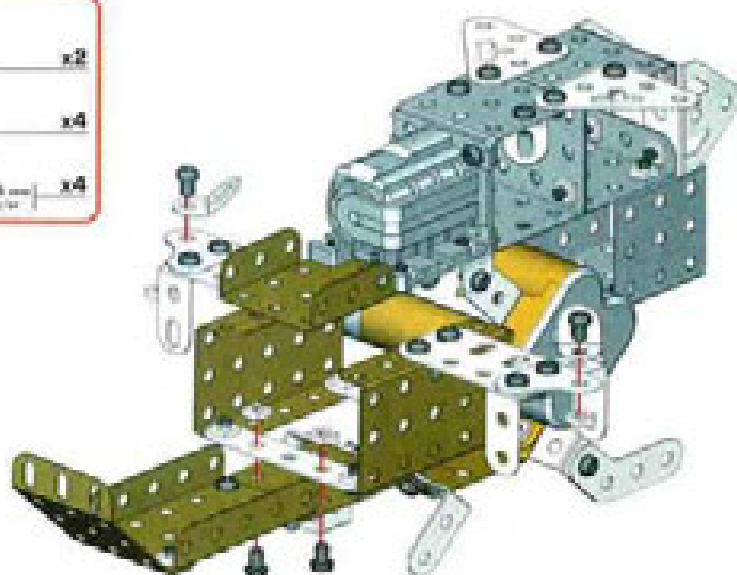
- 8**
- x2
 - x2
 - x4
 - x4



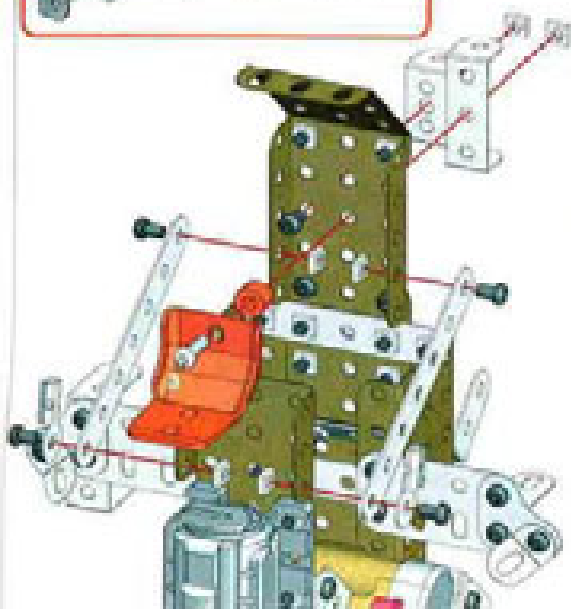
- 9**
- x2
 - x2
 - x1
 - x1
 - x1
 - x1



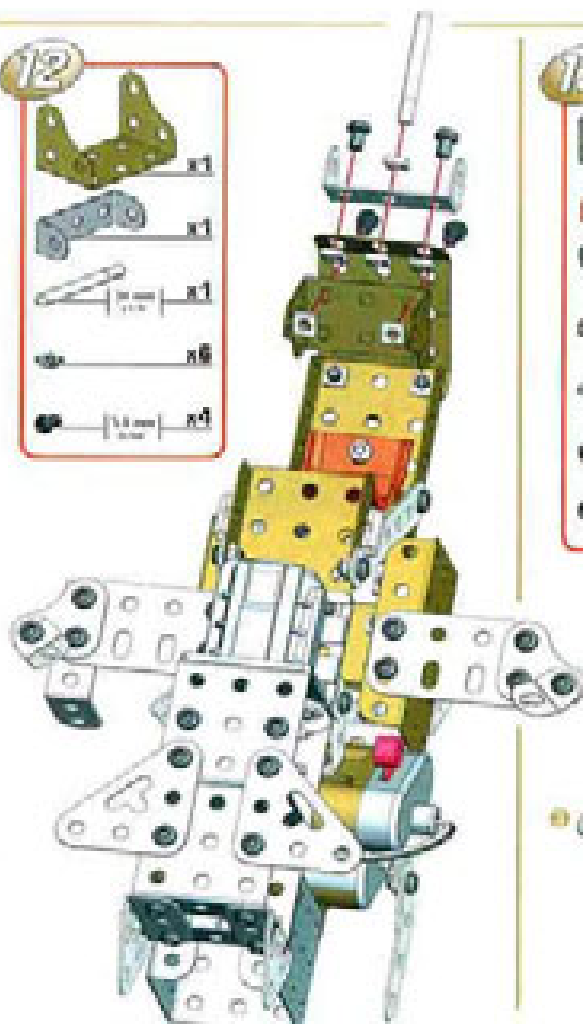
- 10**
- x2
 - x4
 - x4



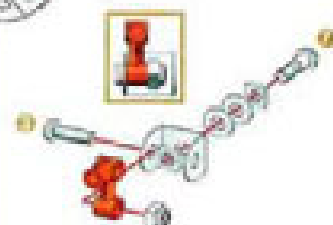
- 11**
- x1
 - x1
 - x2
 - x1
 - x1
 - x1
 - x1
 - x3

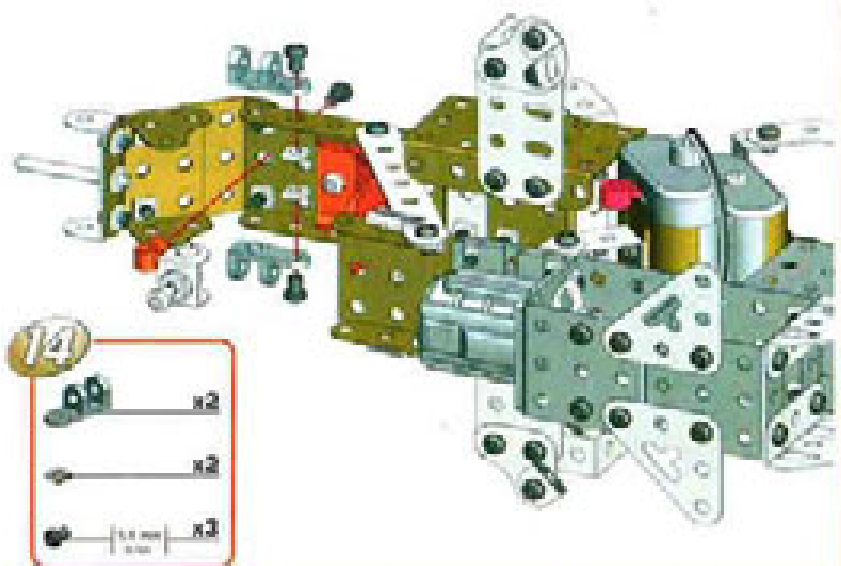


- 12**
- x1
 - x1
 - x1
 - x1
 - x1
 - x1
 - x1
 - x1

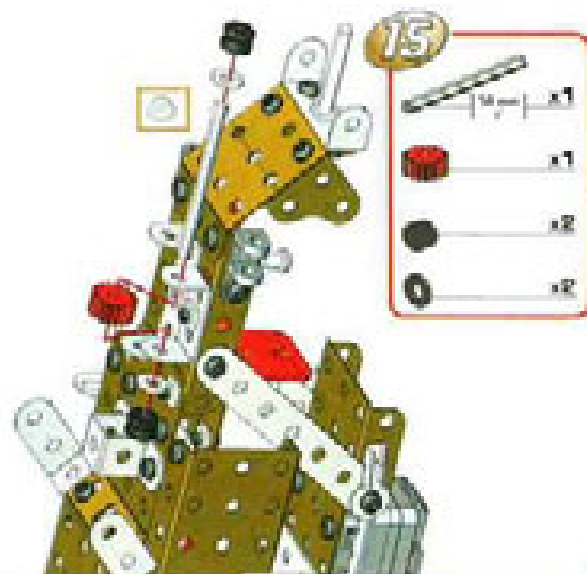


- 13**
- x1
 - x1
 - x1
 - x1
 - x1
 - x1
 - x1
 - x1
 - x1

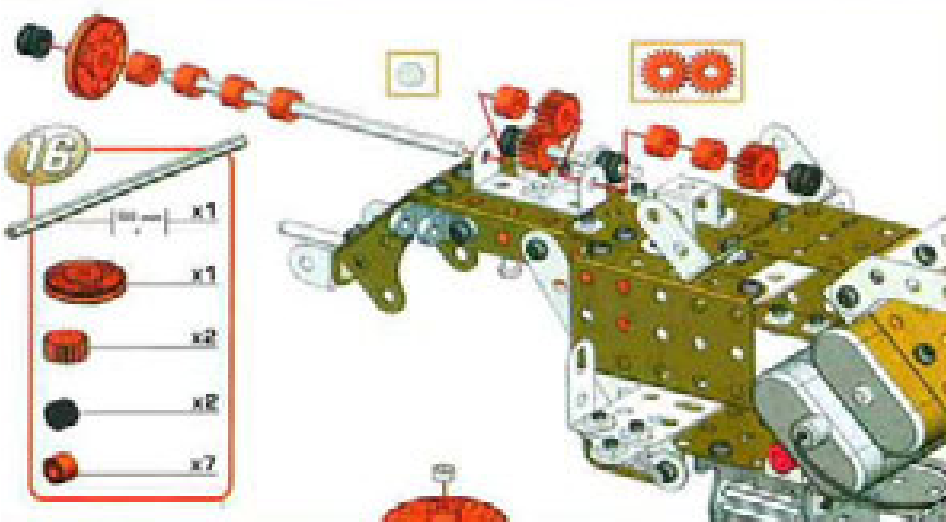




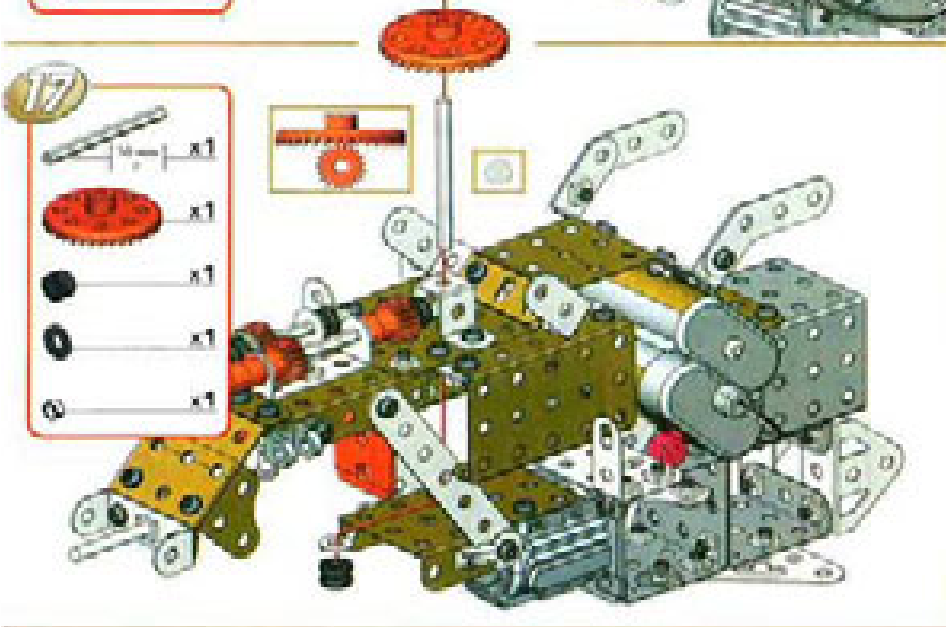
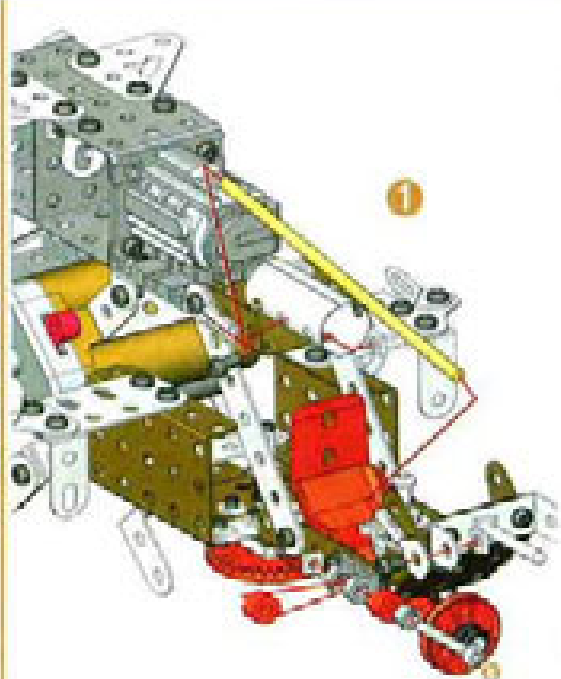
- 14**
- x2
 - x2
 - x2



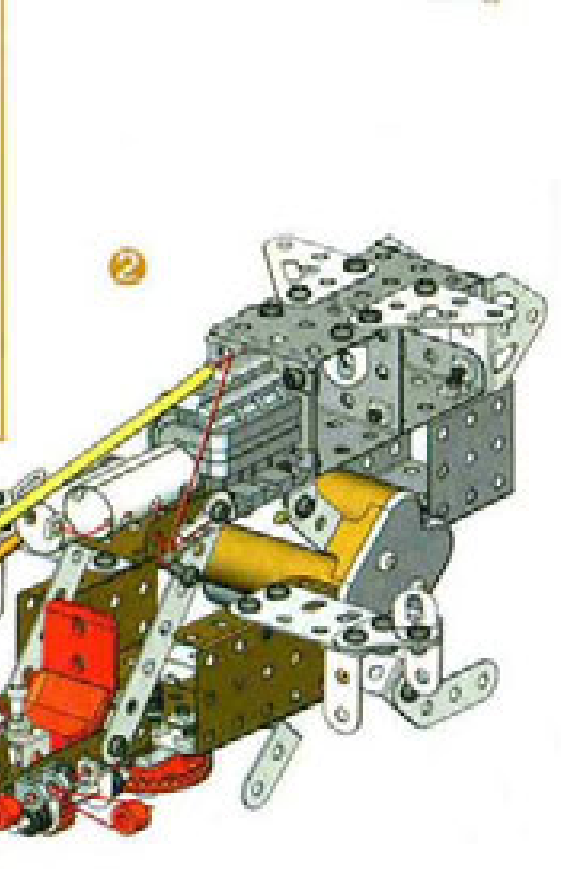
- 15**
- x1
 - x1
 - x2
 - x2



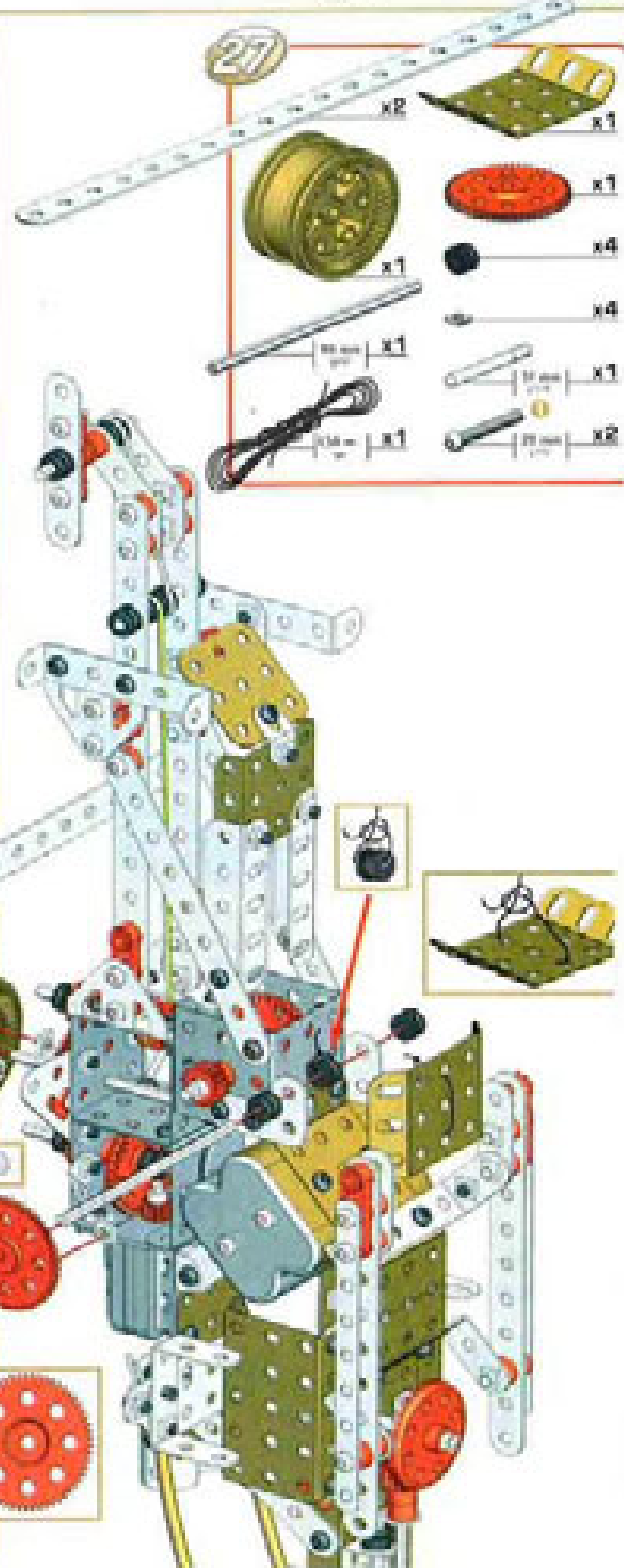
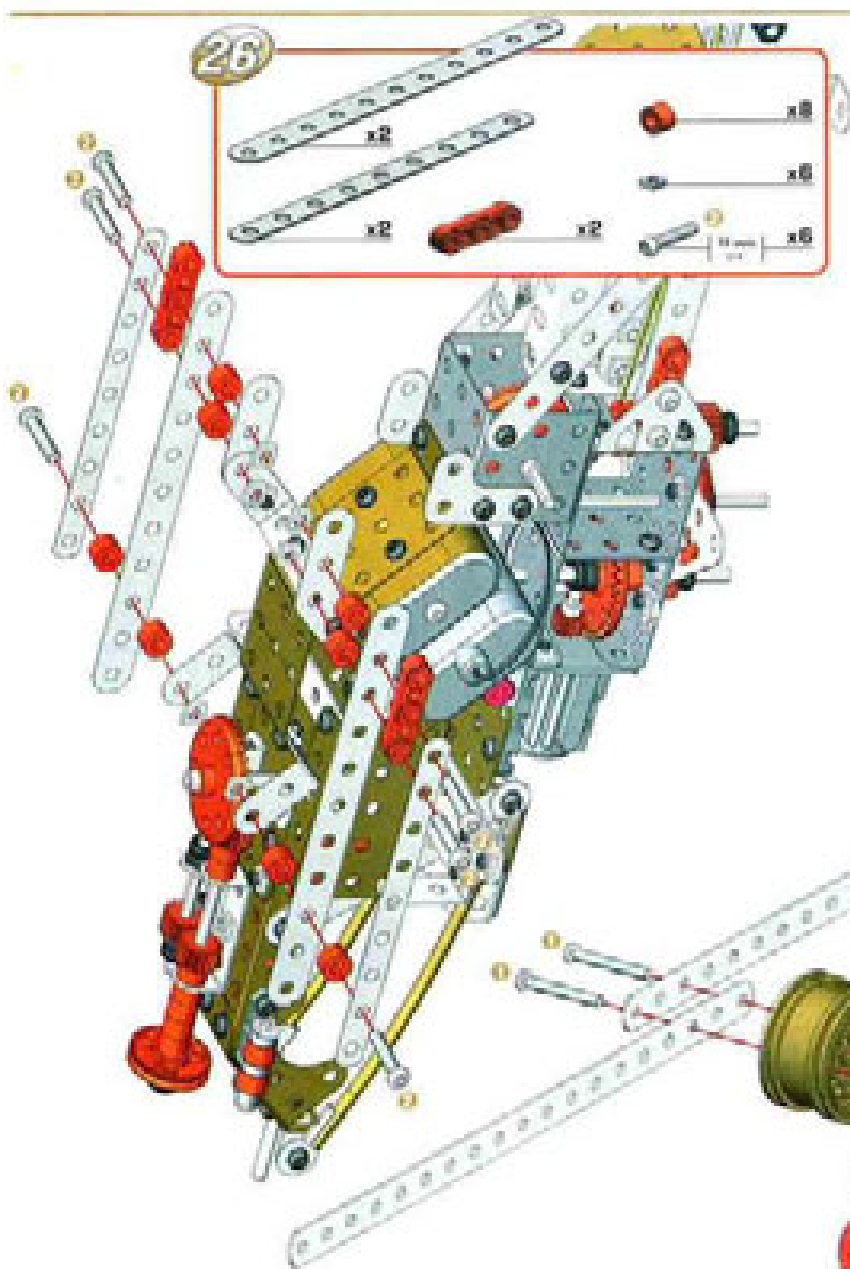
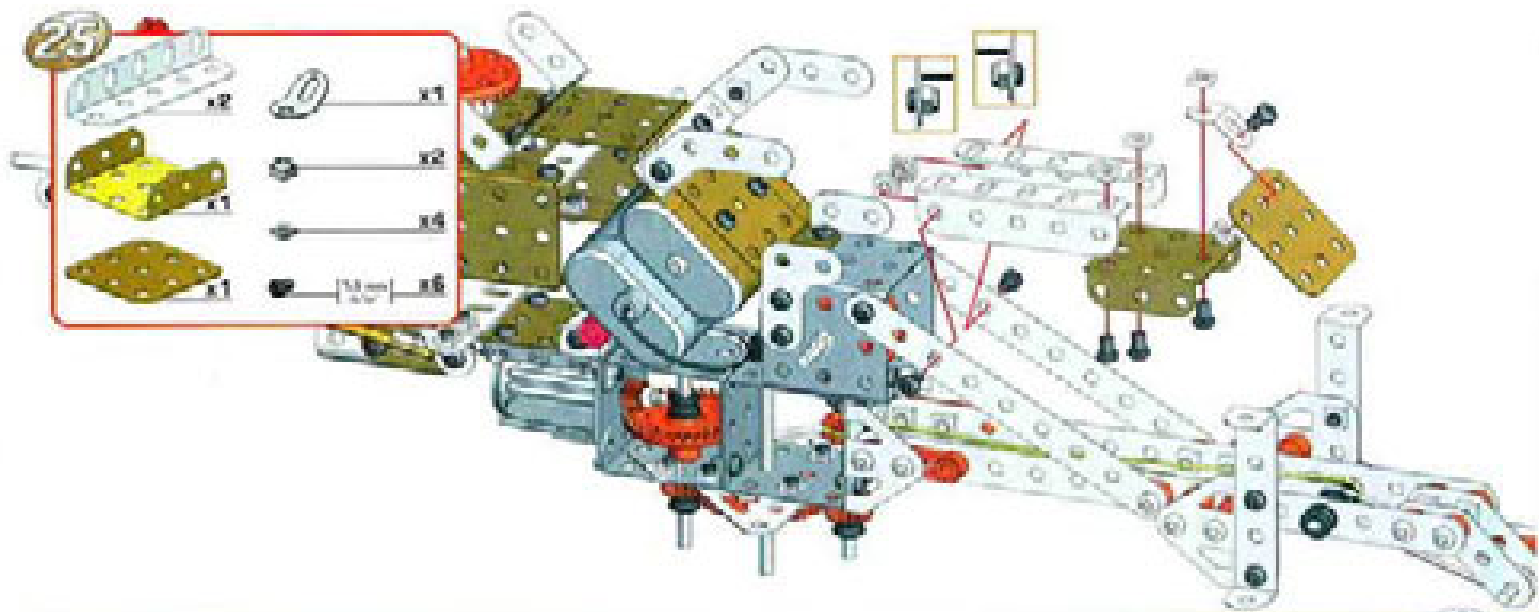
- 16**
- x1
 - x1
 - x2
 - x2
 - x2

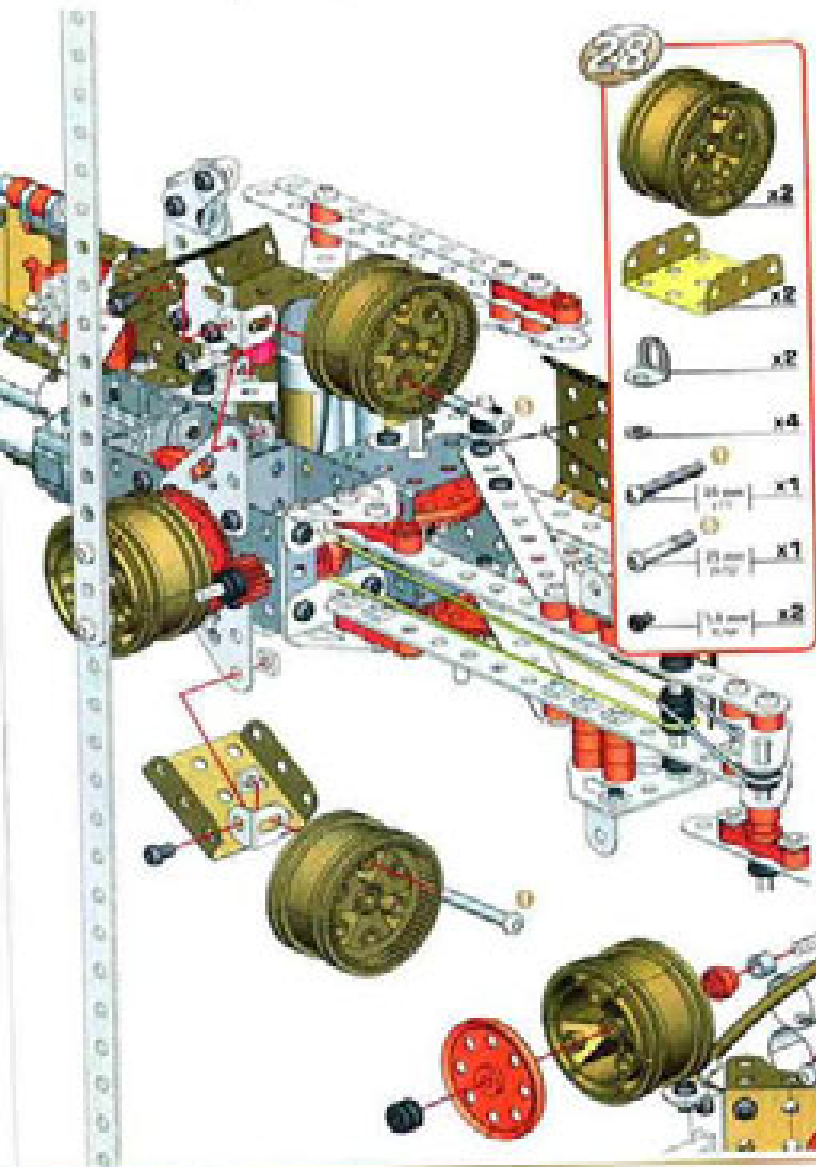


- 17**
- x1
 - x1
 - x1
 - x1
 - x1
 - x1

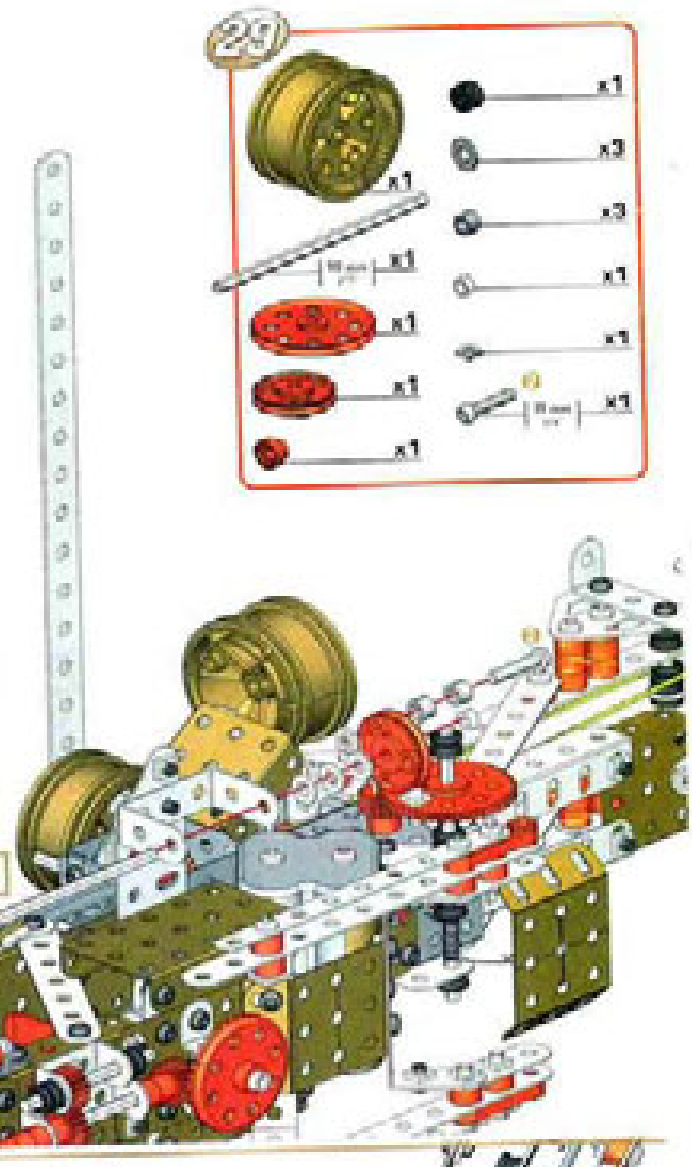












- 18**
- x2
 - x2
 - x2
 - x2
 - x2
 - x2
 - x2
 - x2

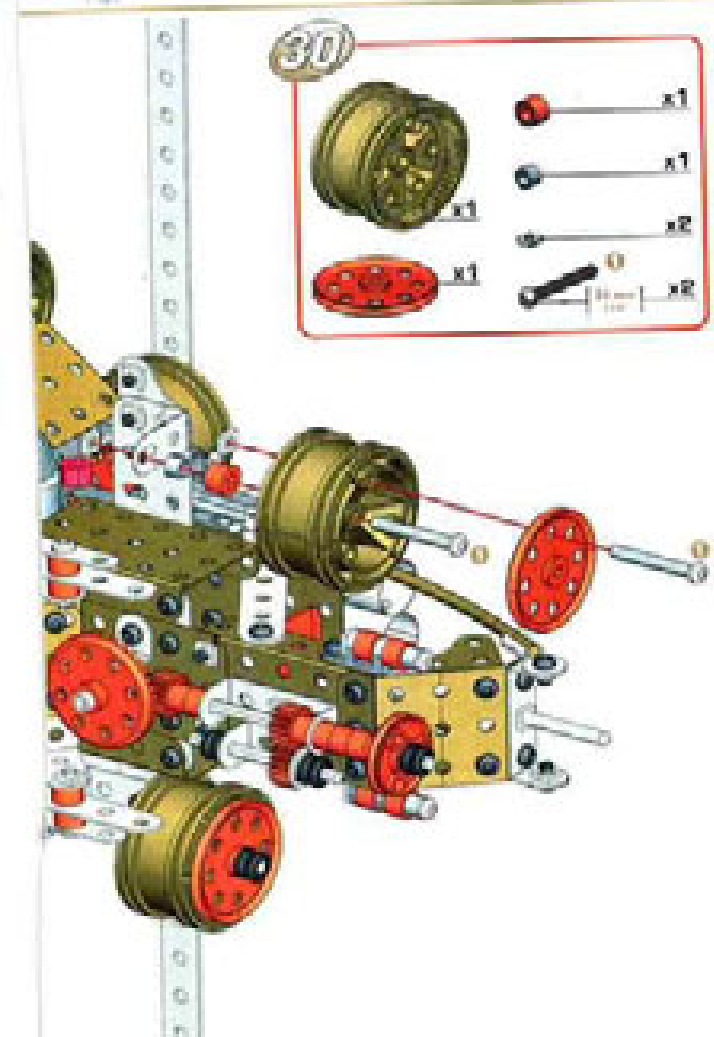




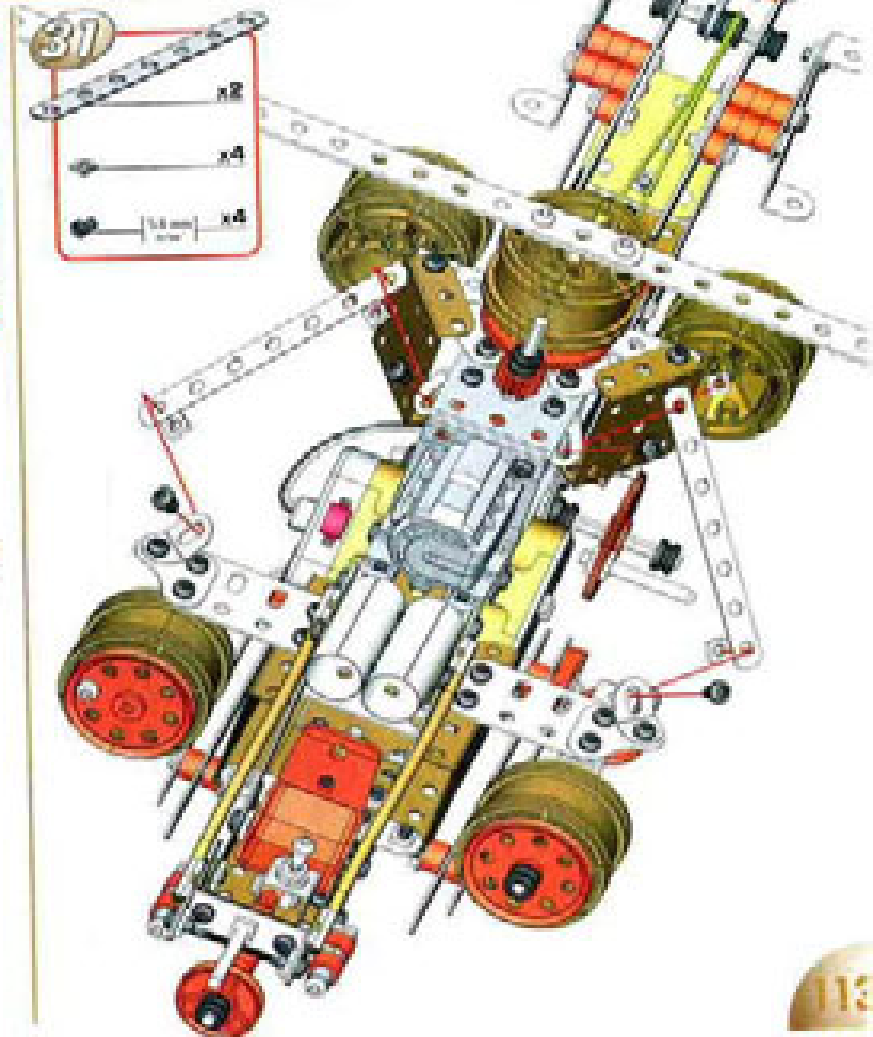
- 28**
-  x2
 -  x2
 -  x2
 -  x4
 -  x1
 -  x1
 -  x2



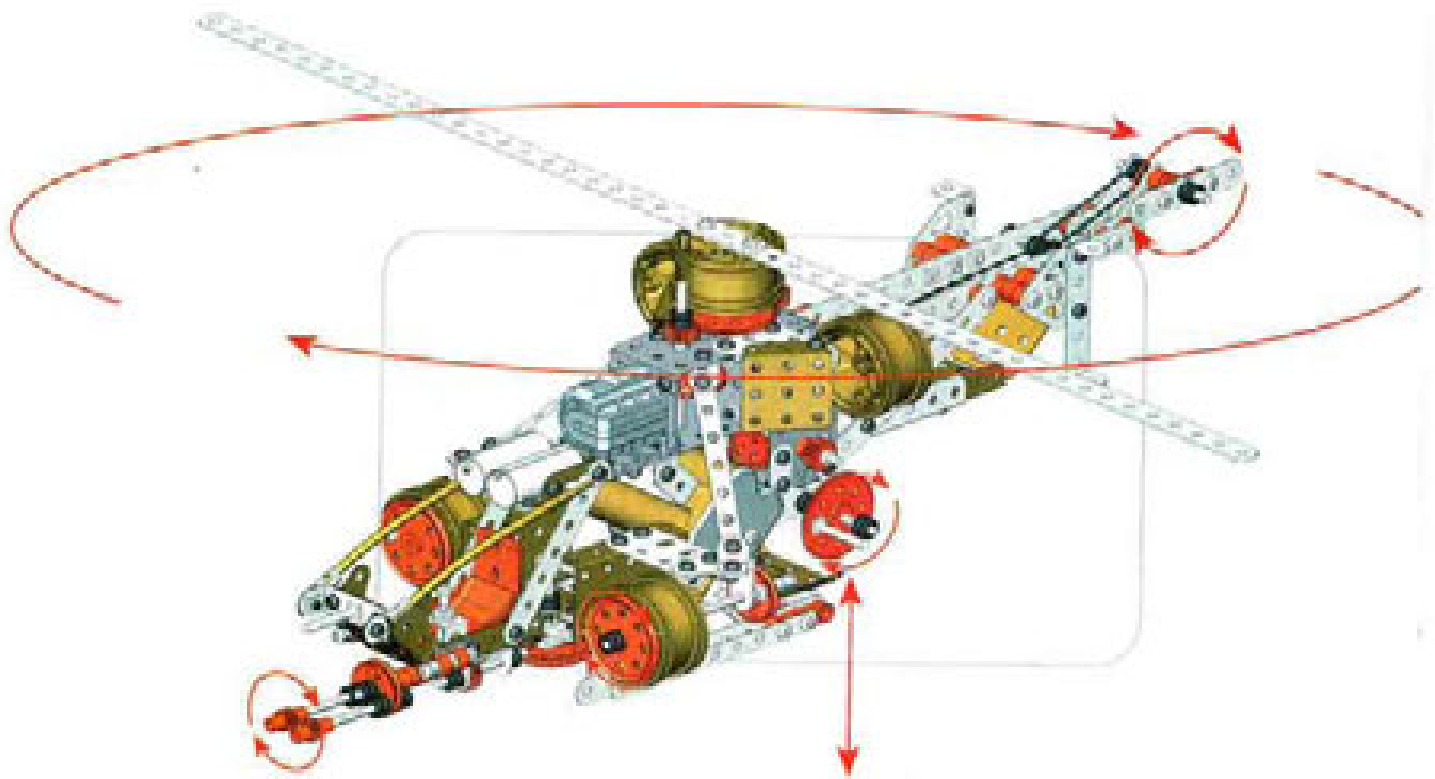
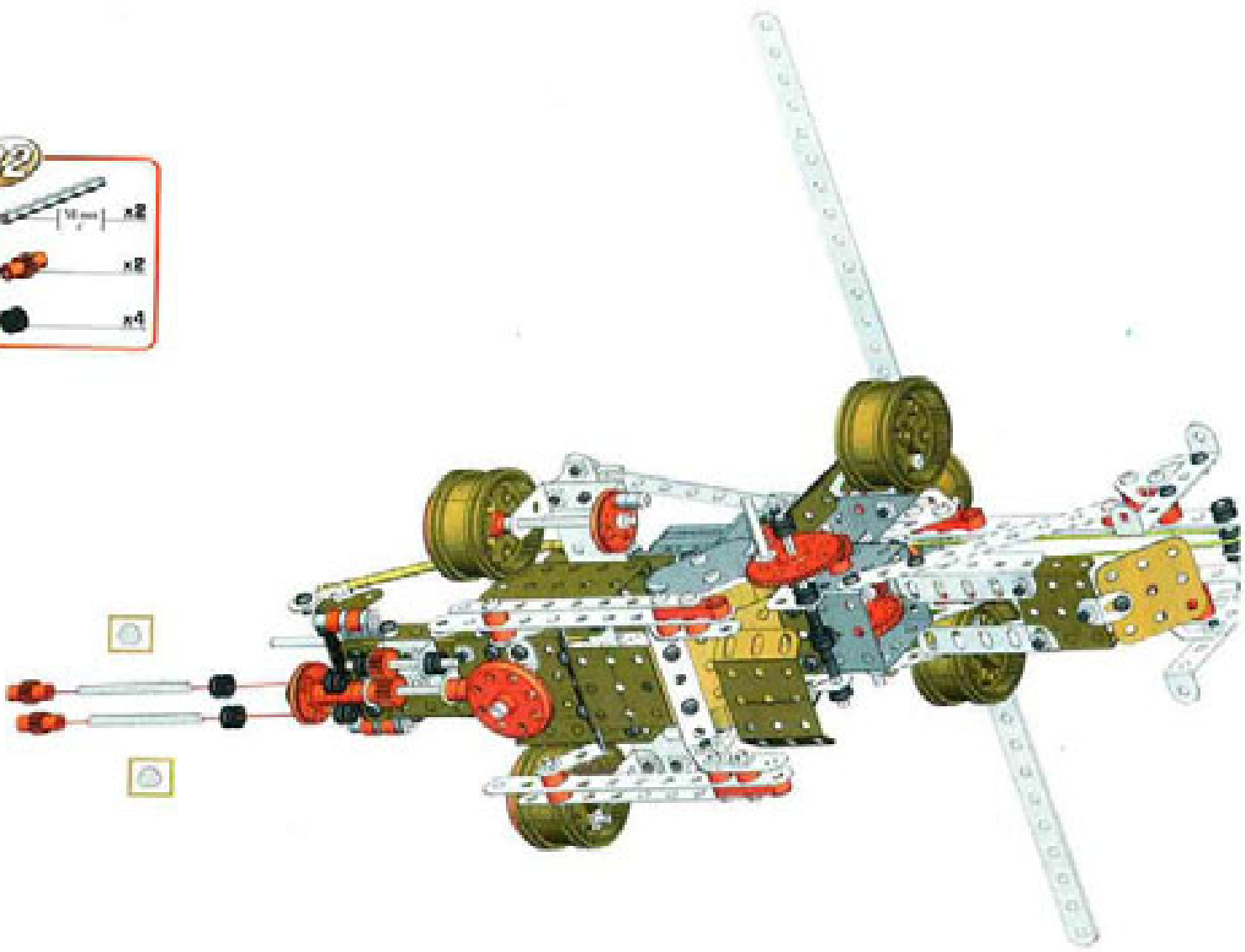
- 29**
-  x1
 -  x1
 -  x3
 -  x3
 -  x1
 -  x1
 -  x1
 -  x1
 -  x1
 -  x1

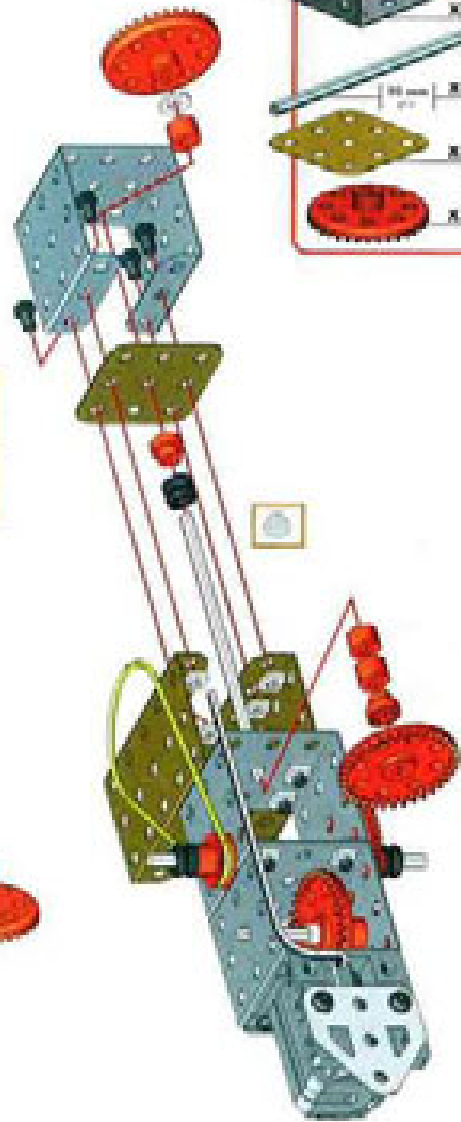
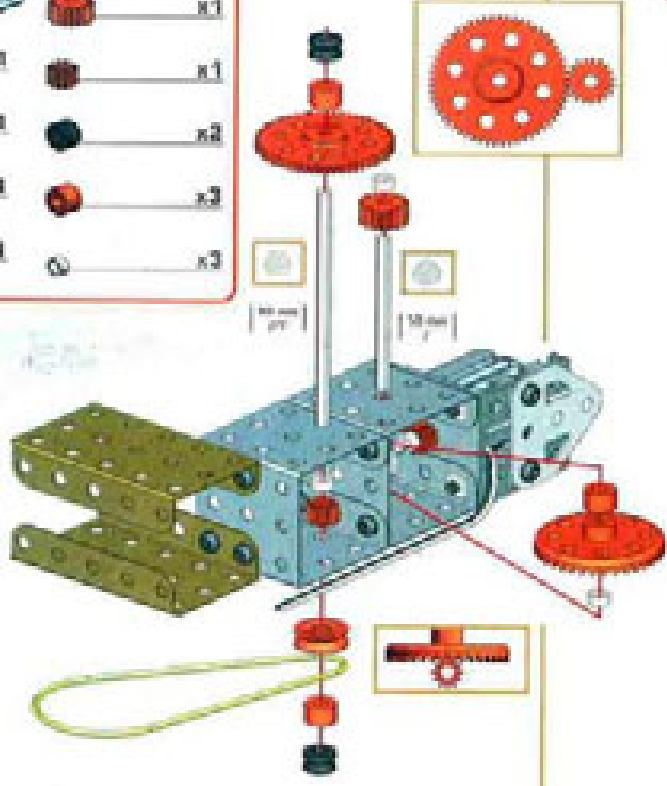
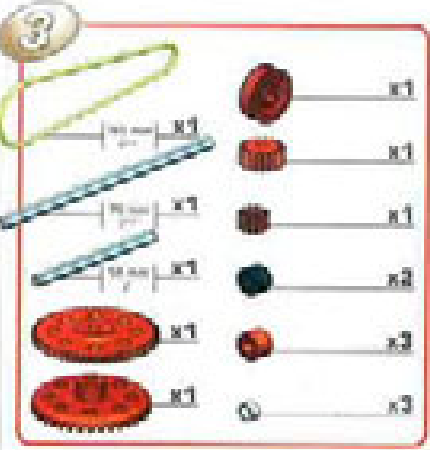
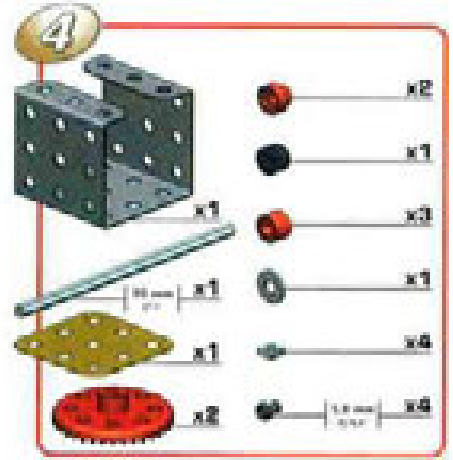
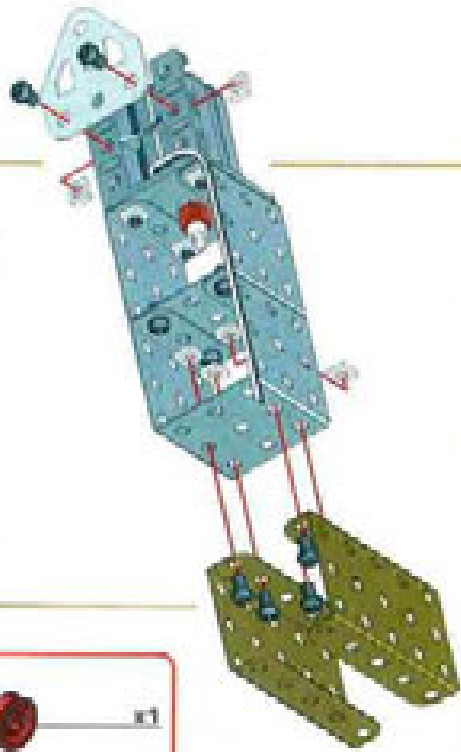
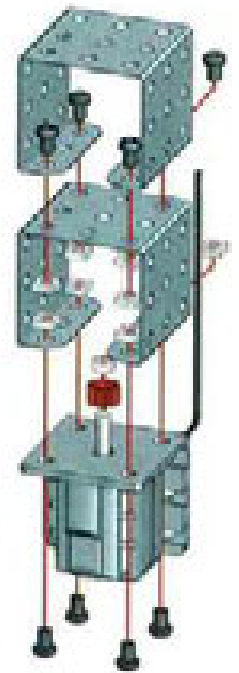
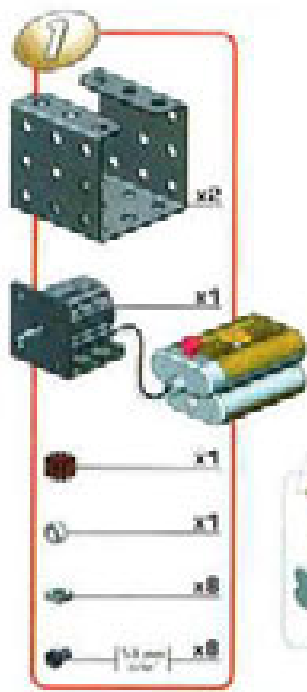


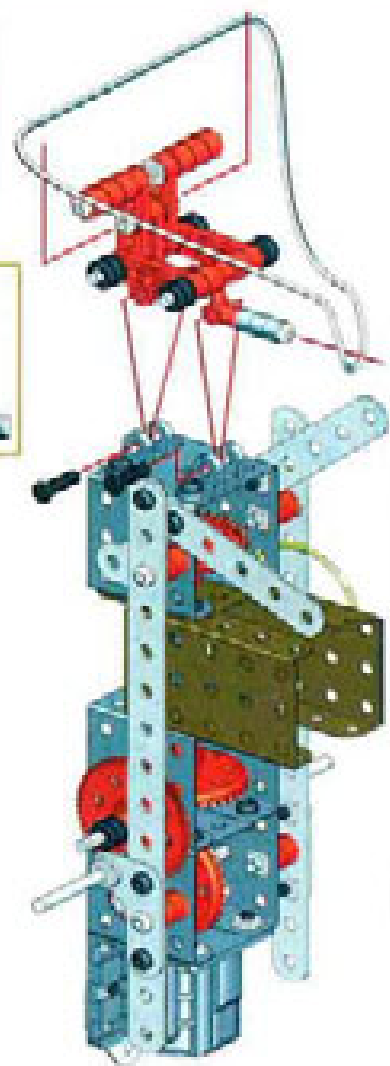
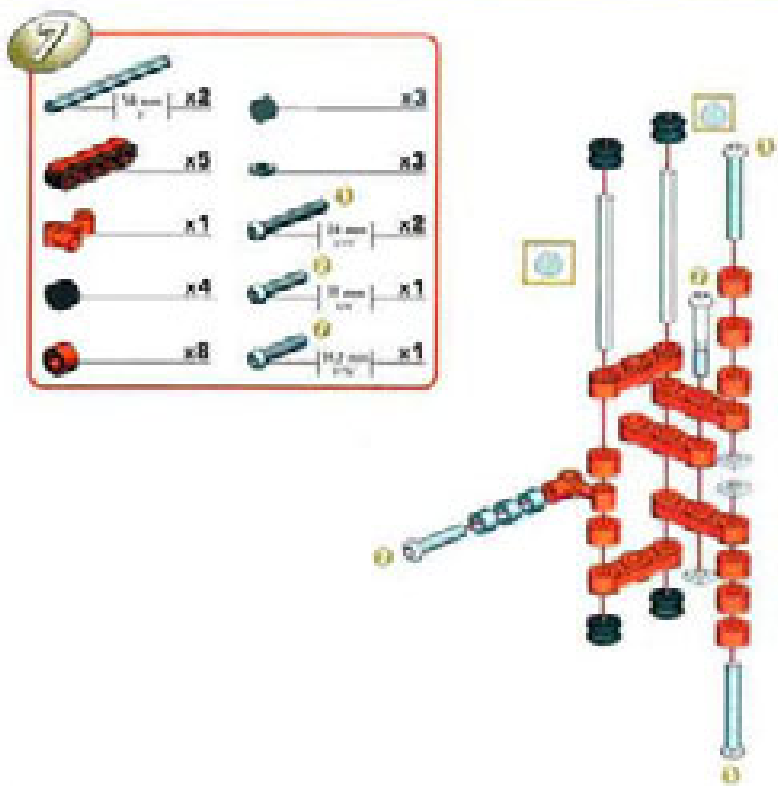
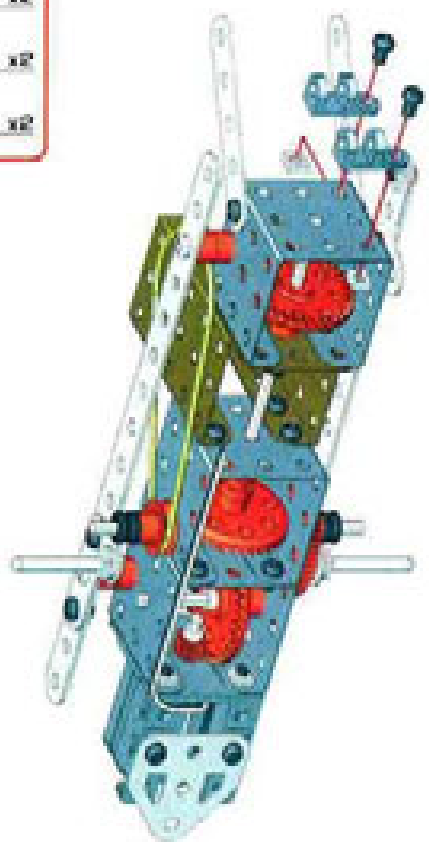
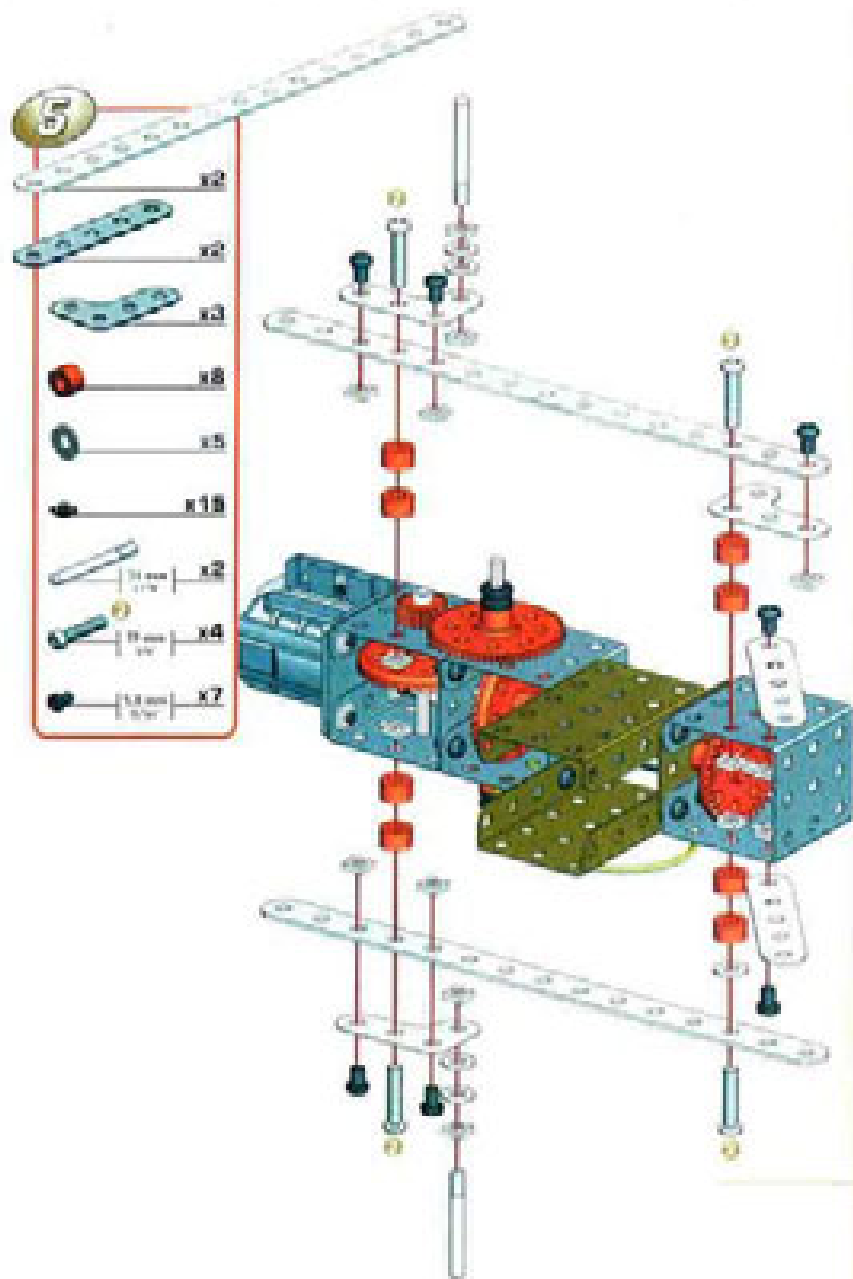
- 30**
-  x1
 -  x1
 -  x1
 -  x2
 -  x1
 -  x2














- 31**
-  x2
 -  x4
 -  x4

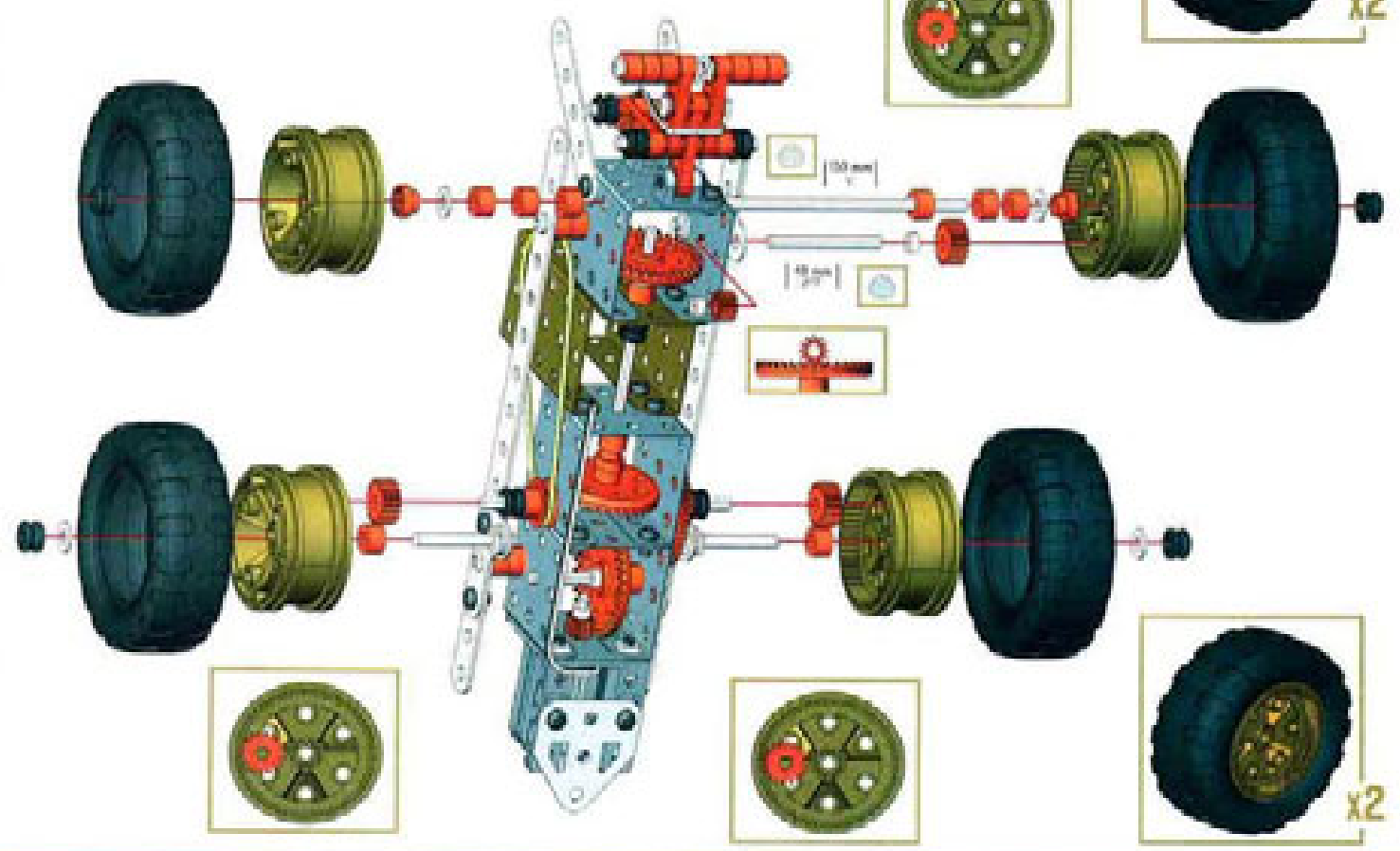





















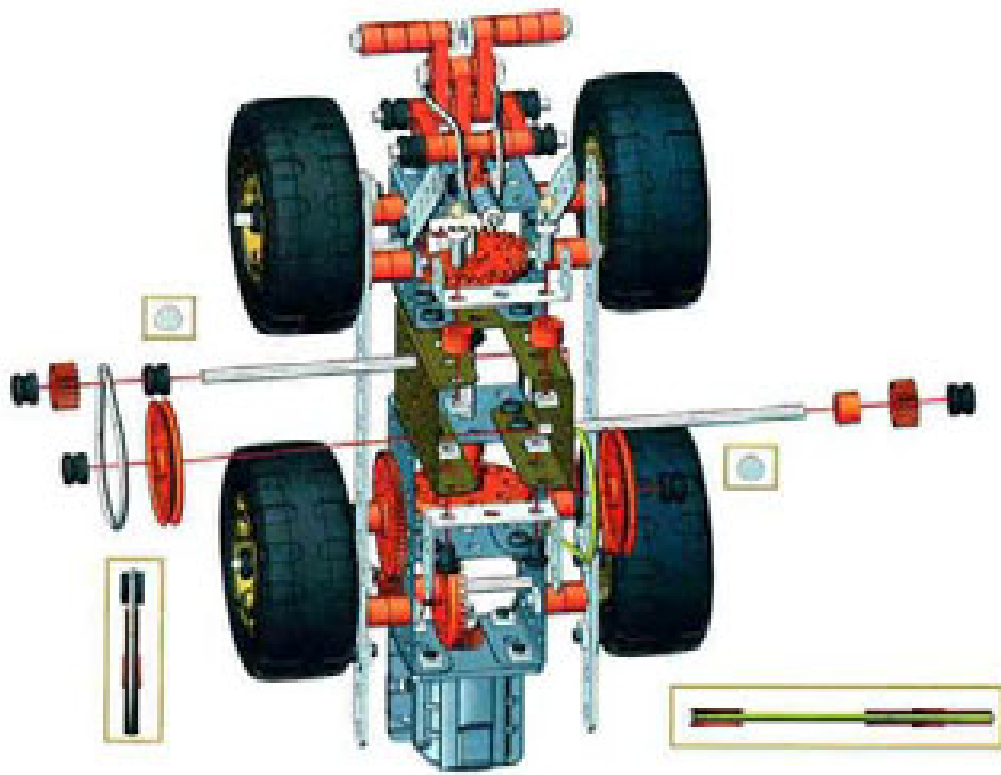
9

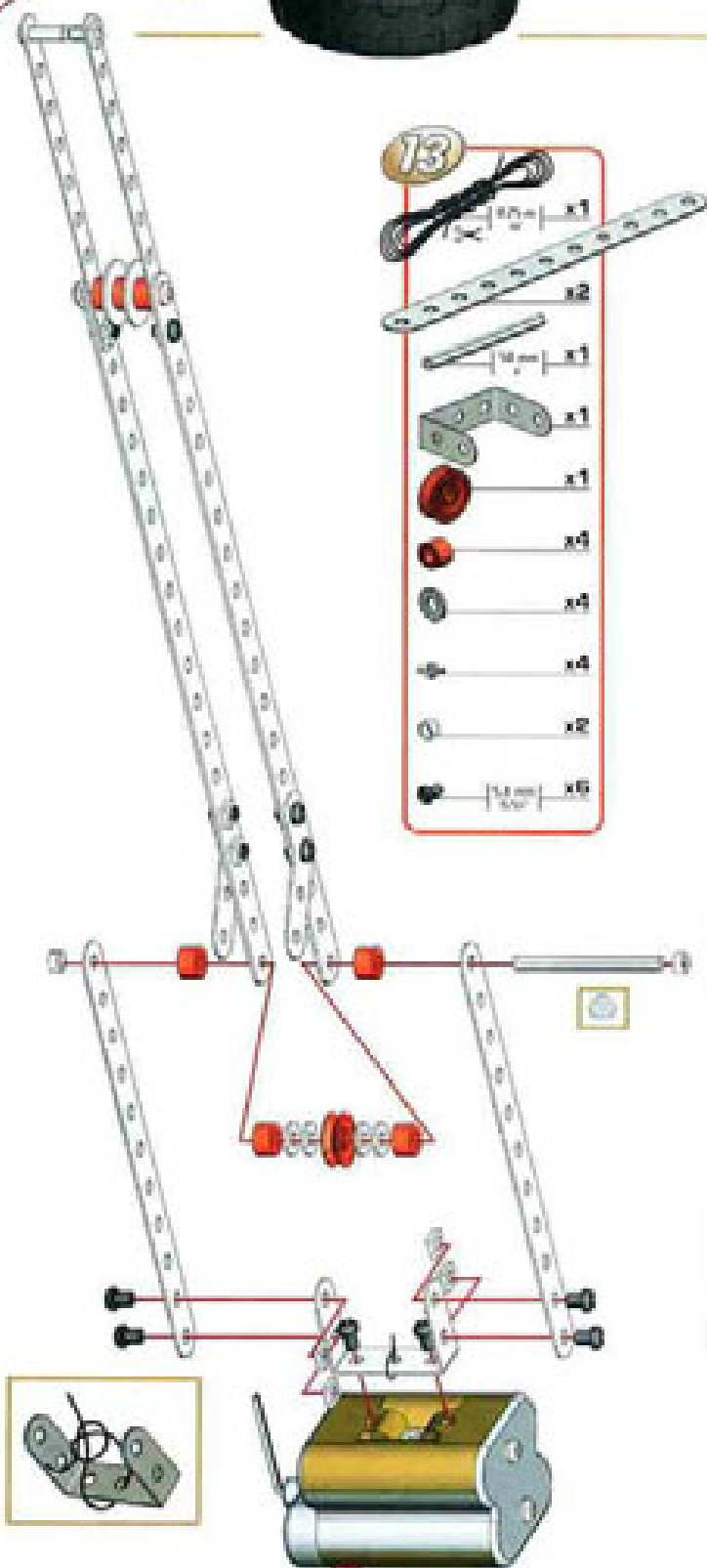
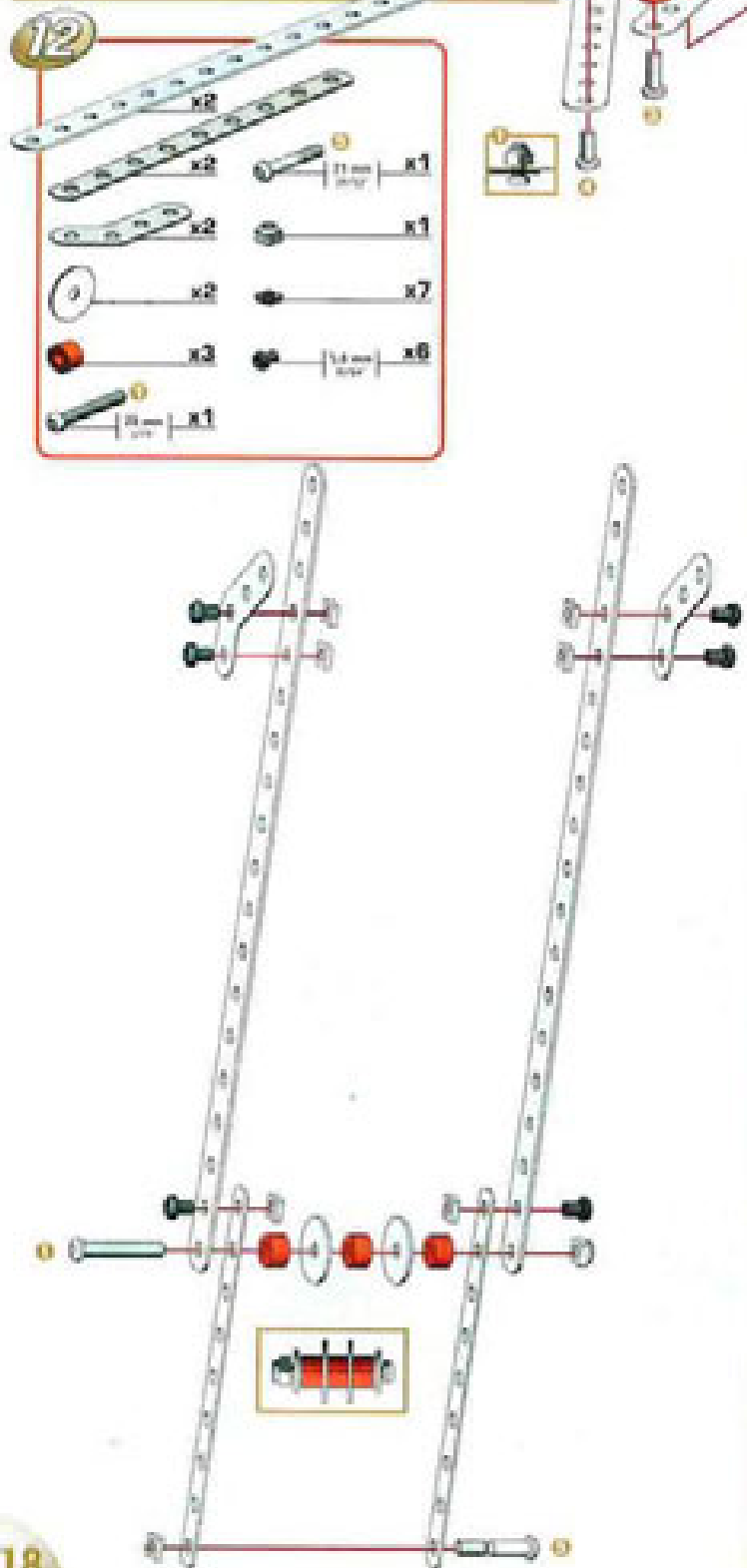
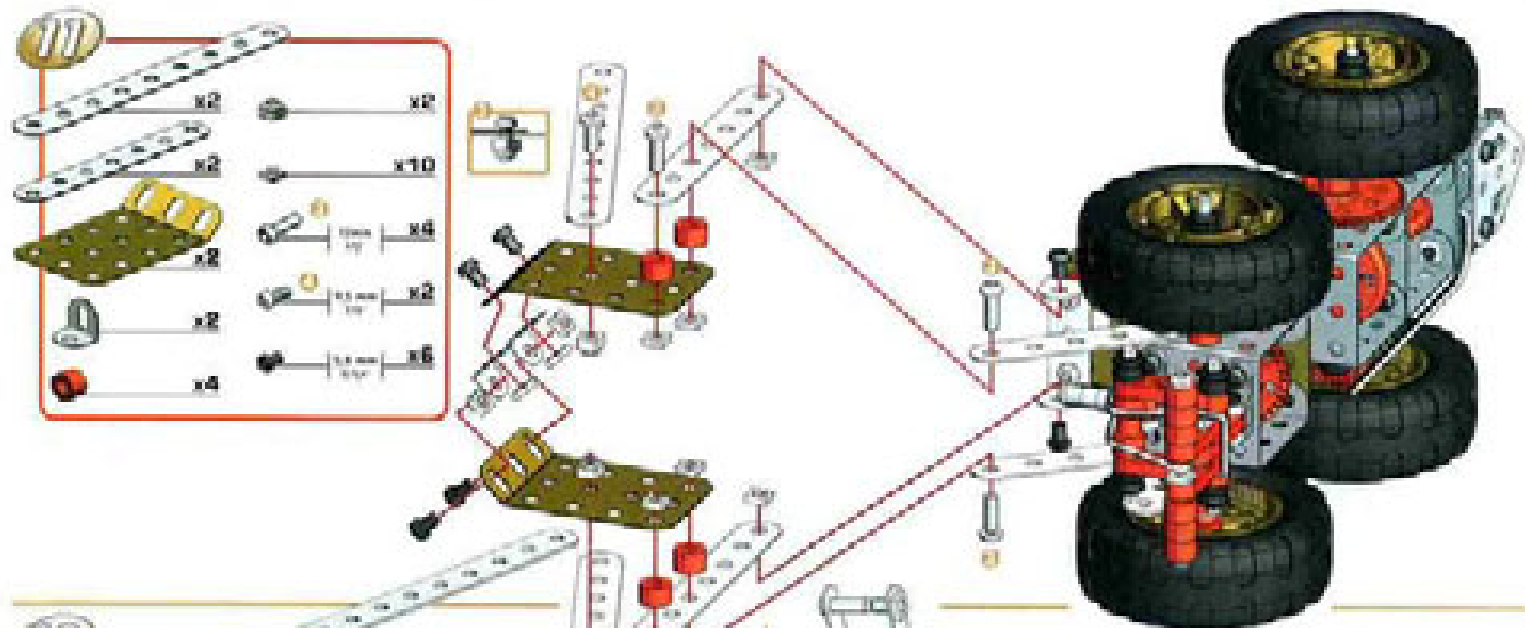
		x2		x1		x4
		x3		x1		x4
		x2		x2		x2



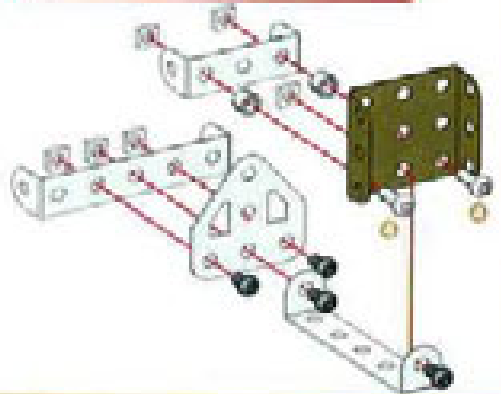
10

		x2		x8
		x2		x1
		x2		x2
		x1		x2
		x1		x2

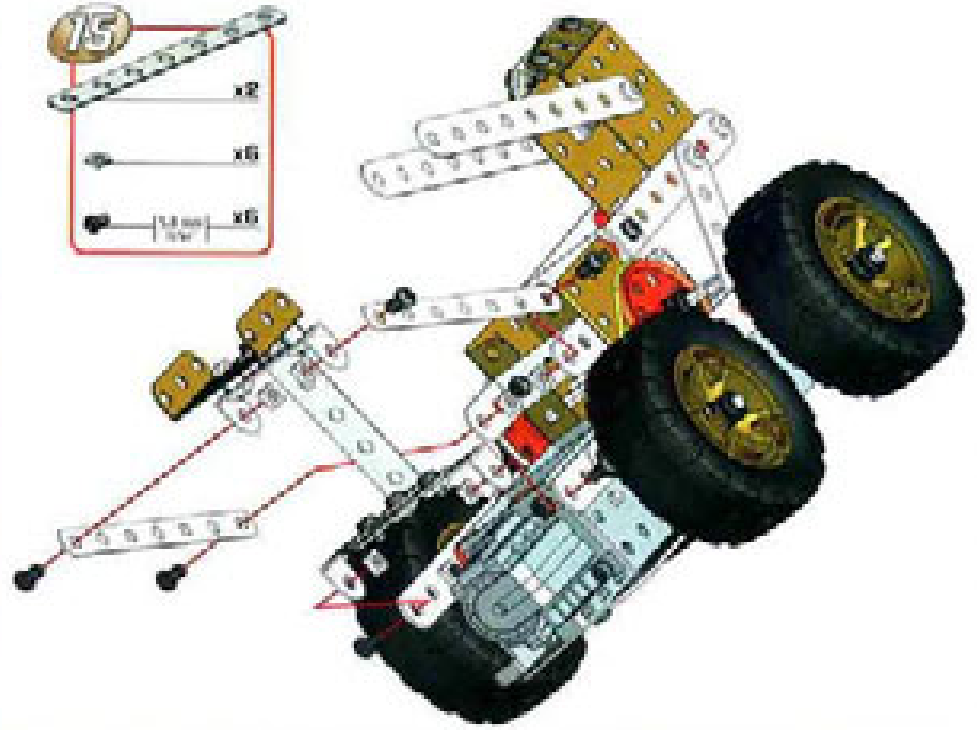




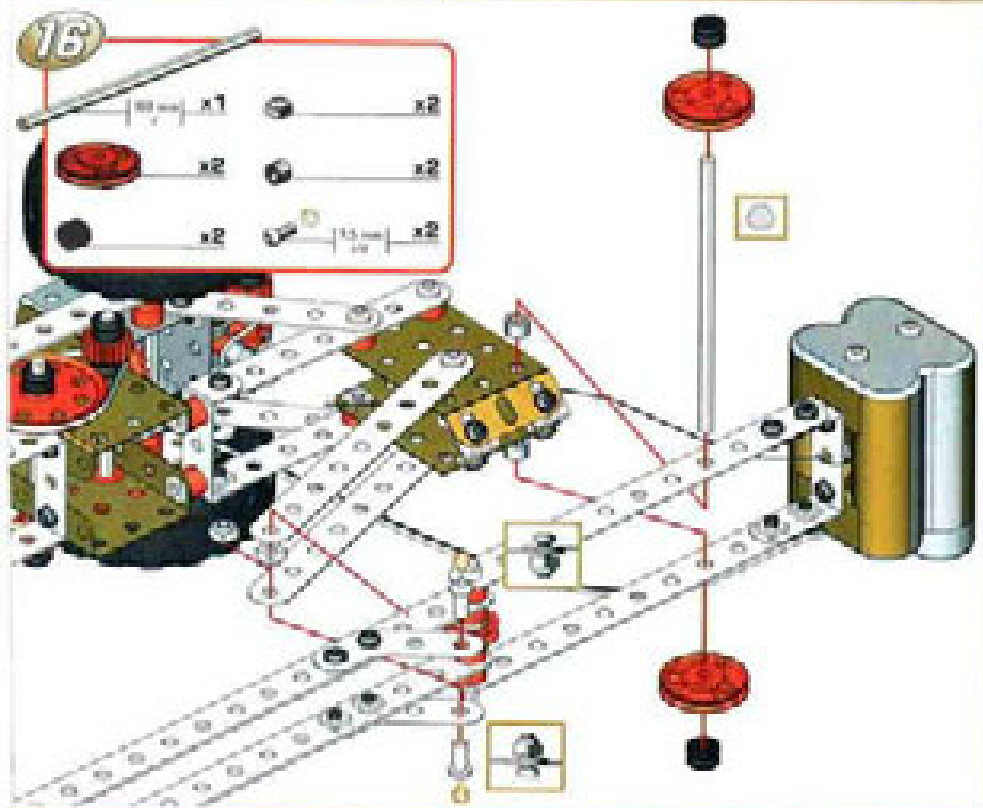
- 14**
- Grey Technic Beam 1x12 (with hole) x2
 - Yellow Technic Plate 1x3 (with hole) x1
 - White Technic Plate 1x3 (with hole) x1
 - Grey Technic Beam 1x3 (with hole) x1
 - Black Pin x2
 - Black Pin x6
 - Black Pin with Friction Ridge (1.5mm) x2
 - Black Pin with Friction Ridge (1.5mm) x4



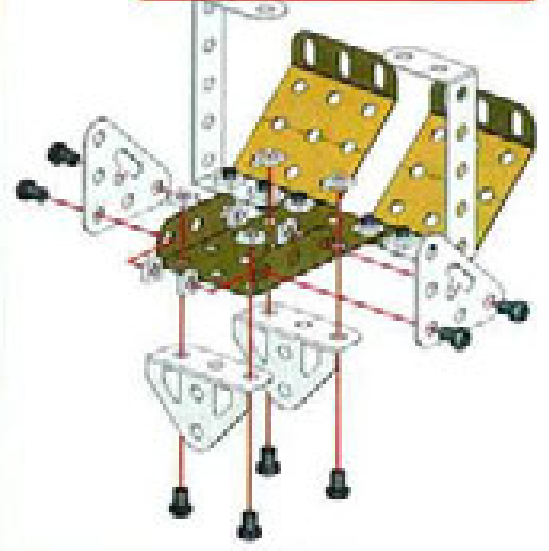
- 15**
- Grey Technic Beam 1x12 (with hole) x2
 - Black Pin x6
 - Black Pin with Friction Ridge (1.5mm) x6



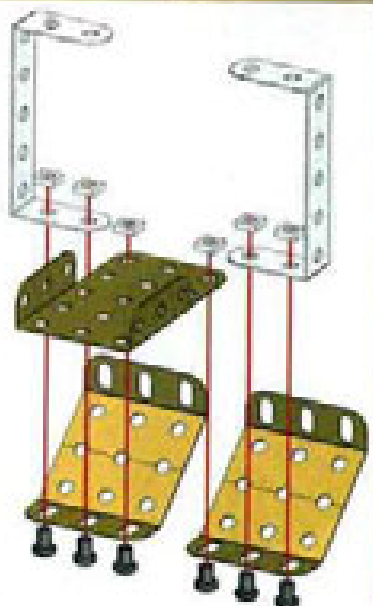
- 16**
- Black Pin with Friction Ridge (1.5mm) x1
 - Red Wheel x2
 - Black Pin x2
 - Black Pin x2
 - Black Pin with Friction Ridge (1.5mm) x2



- 18**
- White Technic Plate 1x3 (with hole) x2
 - Black Pin x8
 - Yellow Technic Plate 1x3 (with hole) x2
 - Black Pin with Friction Ridge (1.5mm) x8



- 17**
- Yellow Technic Plate 1x3 (with hole) x1
 - Yellow Technic Plate 1x3 (with hole) x2
 - Grey Technic Beam 1x3 (with hole) x2
 - Black Pin x6
 - Black Pin with Friction Ridge (1.5mm) x6



- 19**
- Yellow Technic Plate 1x3 (with hole) x1
 - Grey Technic Beam 1x12 (with hole) x2
 - White Technic Plate 1x3 (with hole) x1
 - Grey Technic Beam 1x3 (with hole) x2
 - Black Pin x12
 - Black Pin with Friction Ridge (1.5mm) x12

