

# MECCANO

TRADE MARKS 296321, 501113, 76, 12633, 10274, 55/13476, 569/13, 884/25, 2913, 80, 124, 336, 4174, 91637, 83171, 157149, 32822, 200639, 209733, 214061, 214062, 12892, 29094, 33316, 1818, 16737, 383/13, 5848, 50204, 10/12258, 22826, 18982, 20063/925, 9048, 5549, 2189, 16900, 72286, 2389, 41812, 5403, 7315, 18066, 139420, 494933-4-5-6, 29041, 26877, 6595, 404715, 410379, 55096, 12240, 41234, 8223, 1855.

## X SERIES OUTFIT No. 2

### INSTRUCTIONS

The first step in constructing the models shown in this folder is to build the framework, afterwards tightening up the nuts and bolts.

Where Screwed Rods are used in addition to Double Angle Strips for spacing Strips apart, the latter should be secured first to ensure correct placing of the Rods. Any moving parts, such as wheel axles, etc., should next be fitted in position, and in arranging these care should be taken to leave a little play at the ends of the Rods to allow free movement.

The Discs are held on the Rods by a nut screwed up tightly on each side.

Pivoted joints are made by locking two nuts together on one bolt, so that the Strips, etc., are only held together loosely.

The greatest fun of all is to set your models to work by means of the Meccano X Clockwork Motor.

By adding more outfits you may build still larger and finer models and increase the interest of your hobby to an unlimited extent.

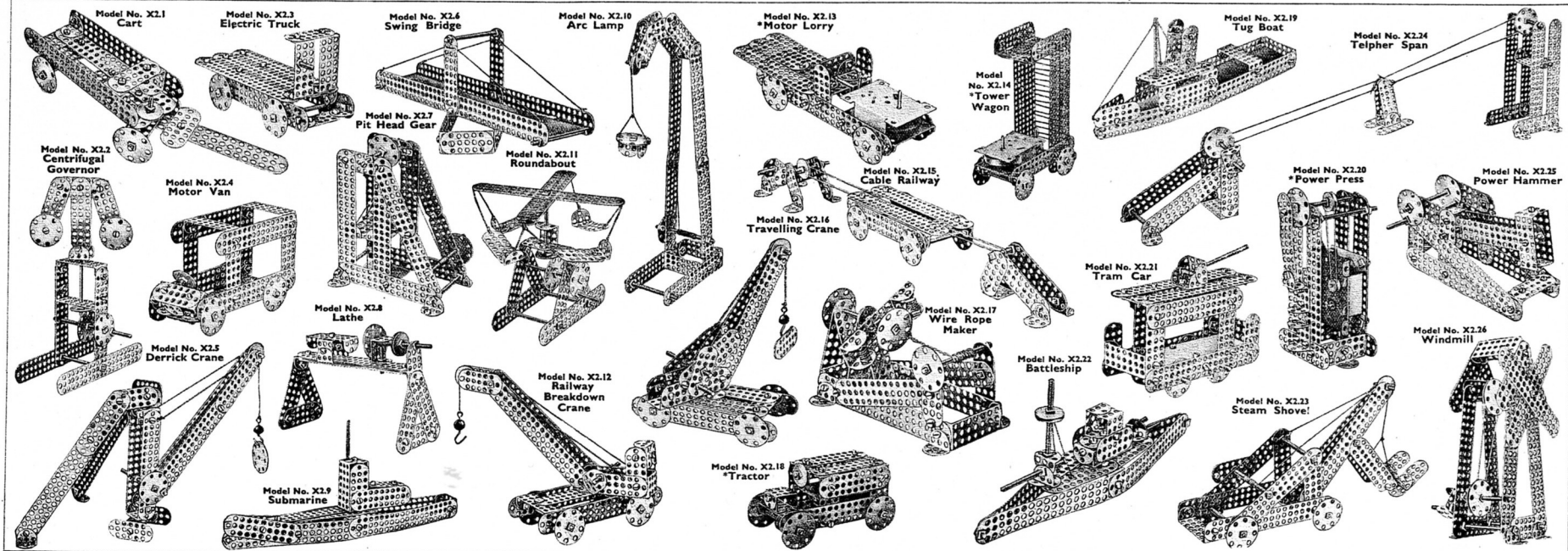
Meccano X parts may be used in conjunction with standard Meccano parts and accessories, thus opening up an entirely new field for model-building.

PRICE  
**3**  
Cents

Copyright by **MECCANO LIMITED, LIVERPOOL, ENGLAND, throughout the World.**

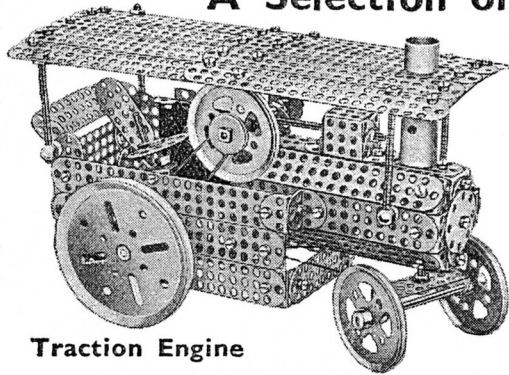
Canadian Branch: **MECCANO LIMITED, 34, ST. PATRICK STREET, TORONTO.**

All these Models can be made with Meccano No. X2 Outfit (or Meccano Nos. X1 and X1A Outfits)

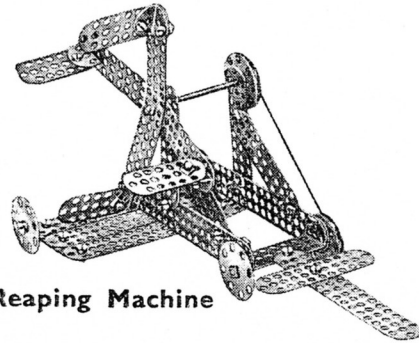


\*Examples of Models fitted with a Meccano X Clockwork Motor

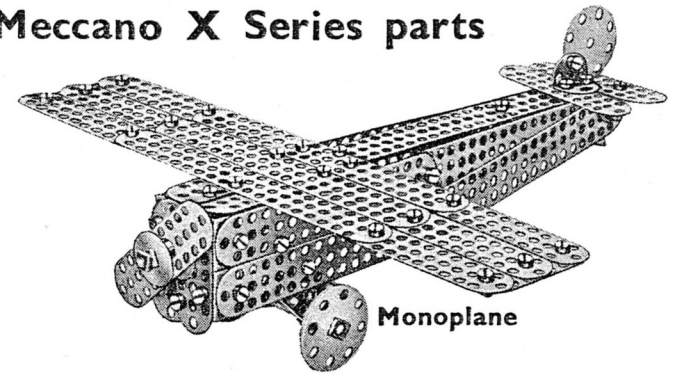
## A Selection of Super Models made with Meccano X Series parts



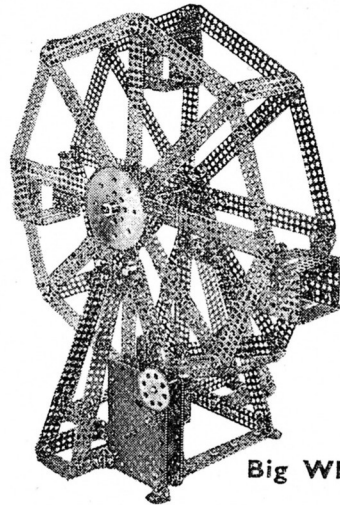
Traction Engine



Reaping Machine



Monoplane



Big Wheel

### KEEP ADDING TO YOUR OUTFIT

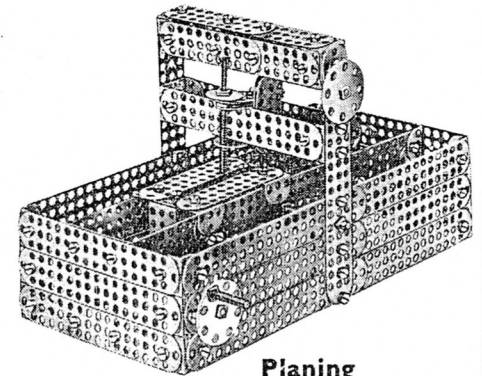
The more parts you have the bigger and better the models you are able to build. Keen and enthusiastic model builders keep adding to their Outfits until they are able to build big fine models like those illustrated on this page.

You can purchase separate Meccano X Series parts as you require them or, if you prefer, you can obtain more Outfits, either No. 1 or No. 2, to increase the model-building possibilities of your equipment.

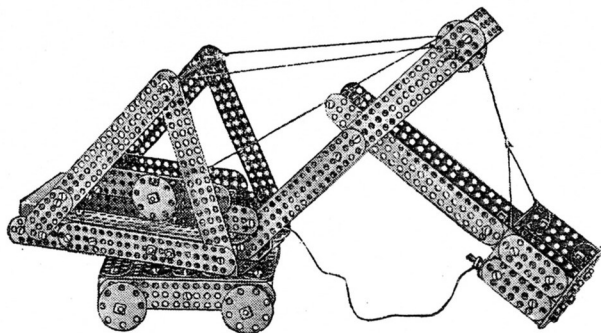
The full range of Meccano X Series parts is listed below. Ask your dealer for a current price list of X Series Outfits, Parts and Motor.

X 404 Perforated Strips, 5½"	X 457 Double Angle Strips,
X 405 " " " 4½"	¾" by ½"
X 407 " " " 2½"	X 475 Discs, 1¼"
X 409 " " " 1¾"	X 477 " " ¾"
X 421 Angle Brackets	X 491 Combined Spanner and
X 435 Screwed Rods 2½"	Screwdriver
X 438 " " " 1"	37A Nuts
X 455 Double Angle Strips	37B Bolts 7/32"
1½" by ½"	38 Washers
	57C Hooks (Loaded) Small

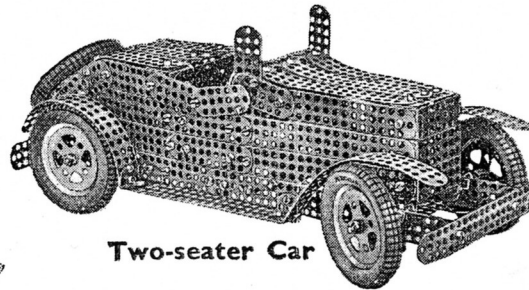
### RUN YOUR MODELS WITH A MECCANO X CLOCKWORK MOTOR



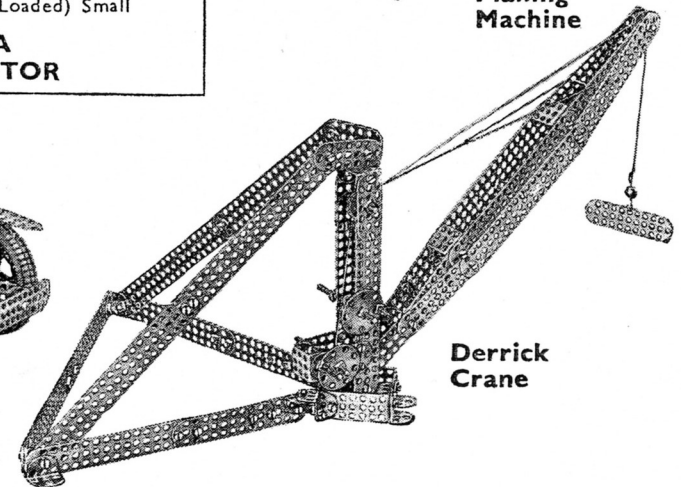
Planing Machine



Mechanical Excavator

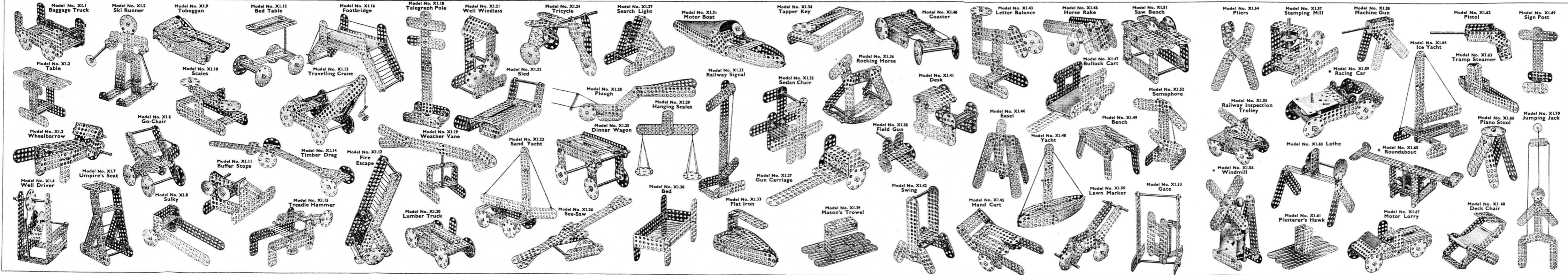


Two-seater Car



Derrick Crane

All these Models can be made with Meccano Outfit No. X1



\*Examples of Models fitted with a Meccano X Clockwork Motor