

# MECCANO®

# EVOLUTION

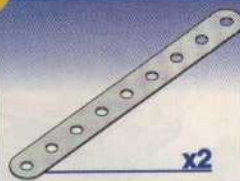
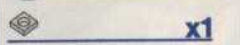
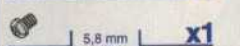
- GB** With Evolution Set 1, there are instructions for 15 models, and many more to build with your imagination.
- F** Avec Evolution 1, tu peux construire 15 modèles proposés. Et tous ceux que tu peux imaginer.
- D** Mit Evolution 1 kannst Du 15 vorgeschlagene Modelle bauen. Und dazu noch alle weiteren, die Du Dir ausdenken kannst.
- I** Con Evolution 1, puoi costruire 15 modelli proposti. E tutti quelli che immaginerai.
- S** Med Evolution 1 kan du bygga 15 föreslagna modeller. Och alla dem som du kan hitta på.
- SF** Evolution 1 allä voit rakentaa ehdotetut 15 mallia ja lisää omasta päästäsi.
- DK** Med Evolution 1 kan du bygge de 15 foreslåede modeller. Og alle dem, du selv kan finde på.
- E** Con Evolution 1, puedes construir 15 modelos propuestos. Y todos los que puedes imaginar.
- NL** Met Evolution N°1 kan je de 15 modellen uit het boekje maken en alle andere die je kunt bedenken.
- P** Com «Evolution 1», podes construir 15 modelos propostos. E todos os que a imaginação te permitir.
- GR** Με την Evolution 1 μπορείς να κατασκευάσεις όλα τα μοντέλα των κουτιών Evolution 1, δηλαδή 15 προσχεδιασμένα μοντέλα. Και ό,τι άλλο μπορείς να φανταστείς.
- JPN** 進歩Iでは提案1、のボックス全モデル合計15の提案モデルが組み立てられます。それ以外にも、想像に任せて色々なモデルを組み立ててみよう。

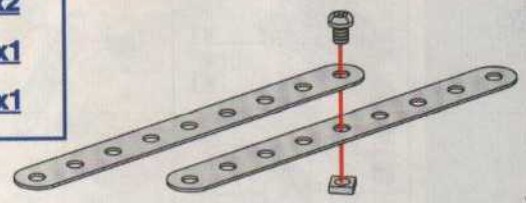
6  
5  
4  
3  
2  
1





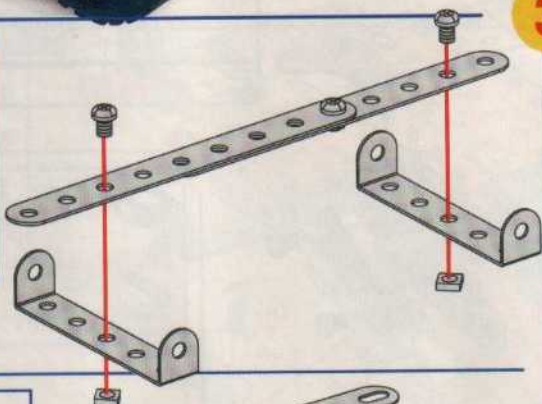
**1**

-  x2
-  x1
-  x1


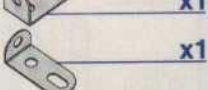
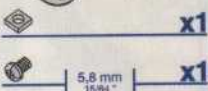



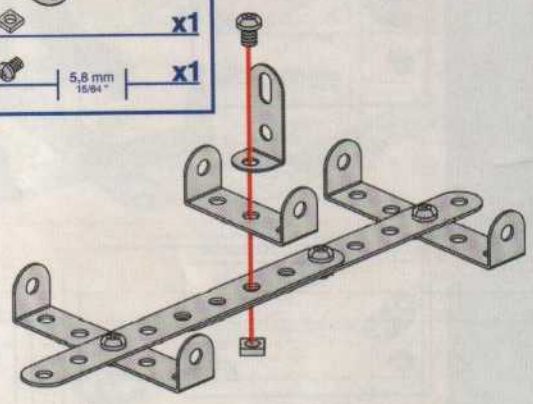
**2 1+**

-  x2
-  x2
-  x2



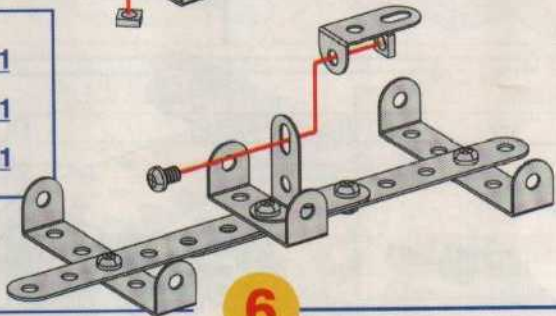
**3 2+**

-  x1
-  x1
-  x1
-  x1



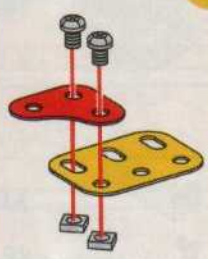
**4 3+**

-  x1
-  x1
-  x1



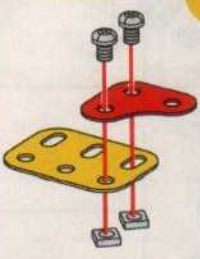
**5**

-  x1
-  x1
-  x2
-  x2



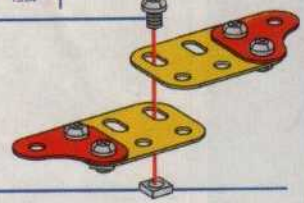
**6**

-  x1
-  x1
-  x2
-  x2



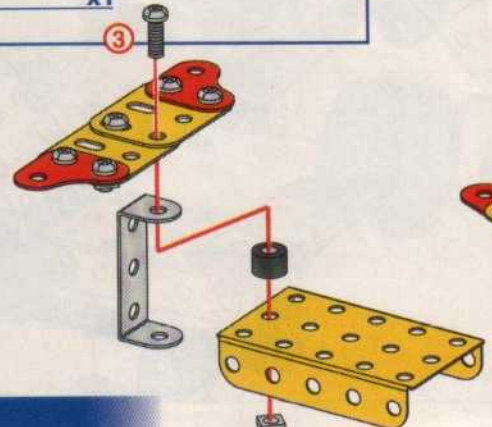
**7 5+ 6+**

-  x1
-  x1




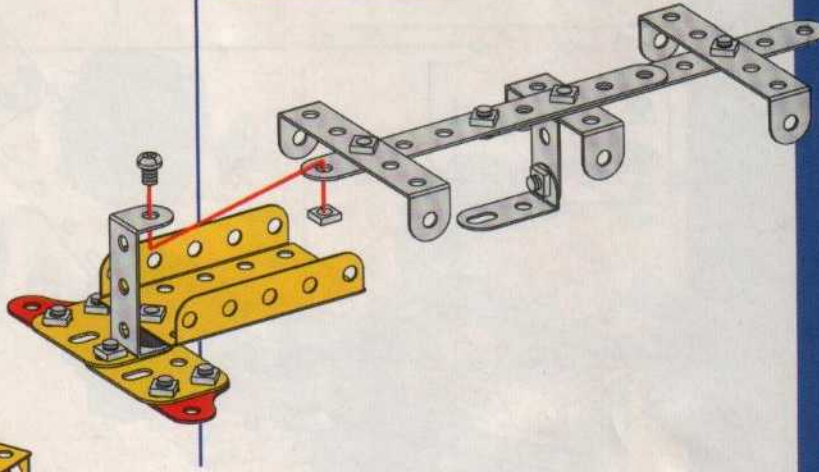
**8 7+**

-  x1
-  x1
-  x1
-  x1
-  x1
-  x1



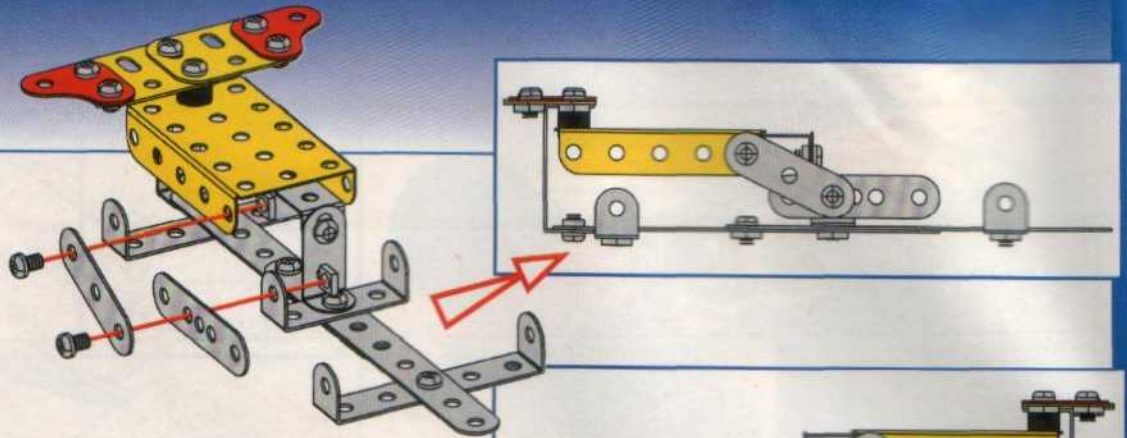
**9 4+ 8+**

-  x1
-  x1



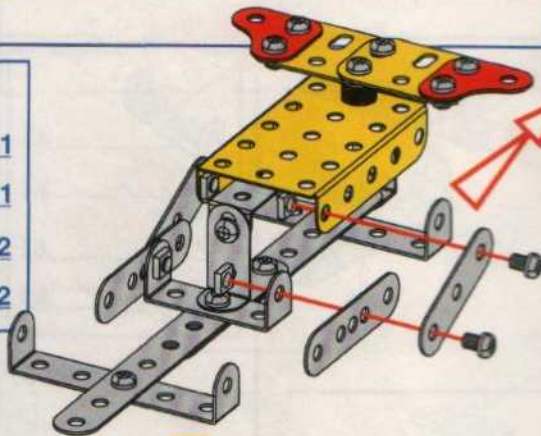
10 9+

- x1
- x1
- x2
- x2



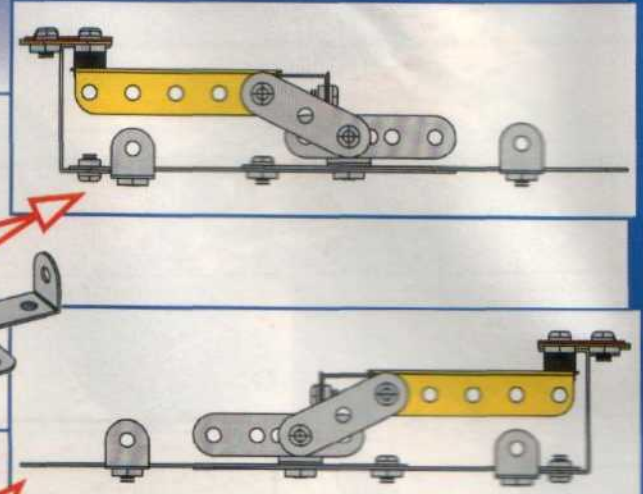
11 10+

- x1
- x1
- x2
- x2



12

- x1
- x1
- x1
- x1



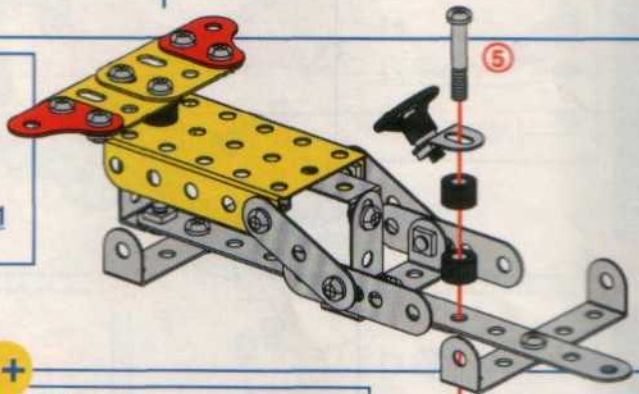
13 12+

- x1
- x1



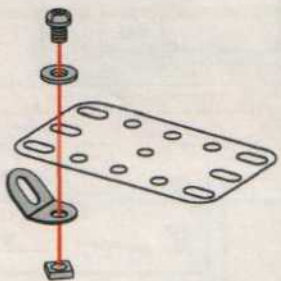
14 11+ 13+

- x2
- x1
- x1



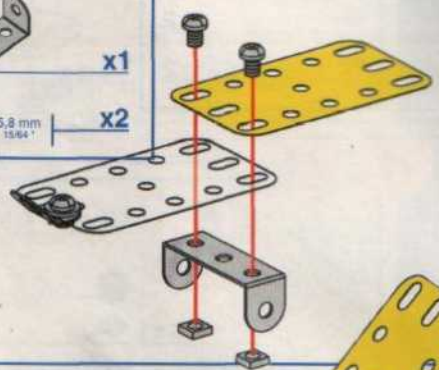
15

- x1
- x1
- x1
- x1
- x1



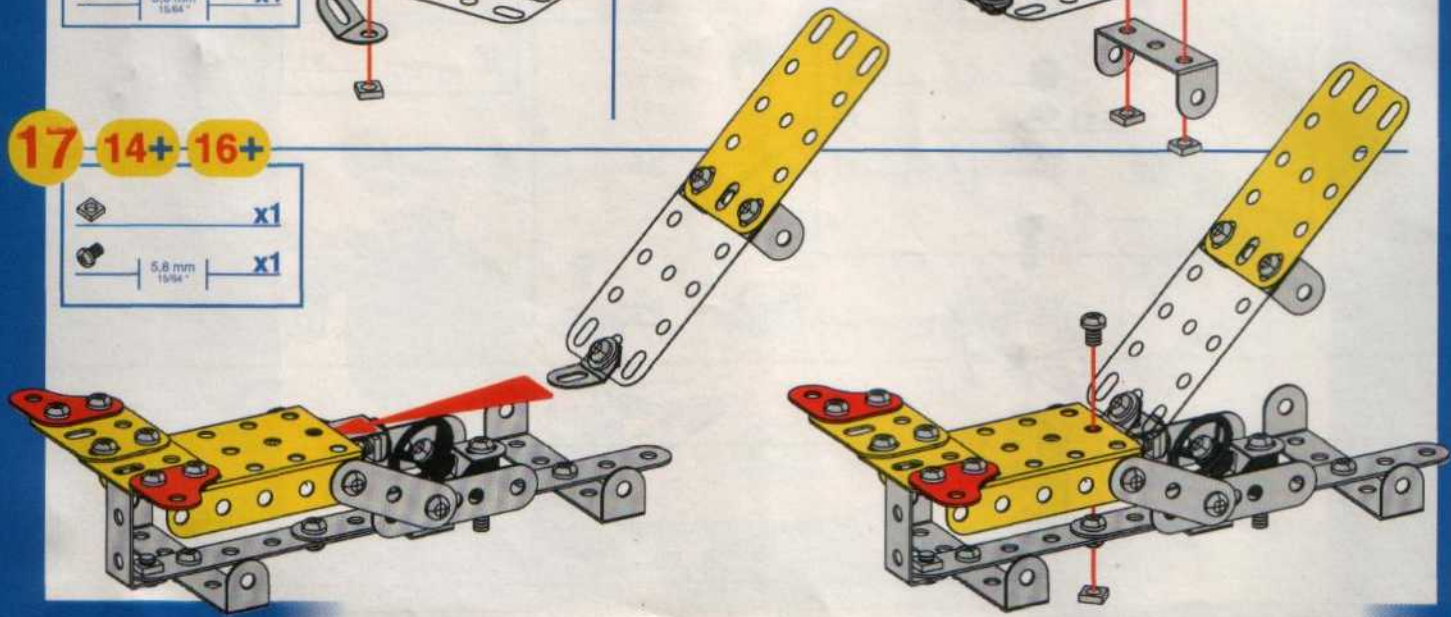
16 15+

- x1
- x1
- x2
- x2



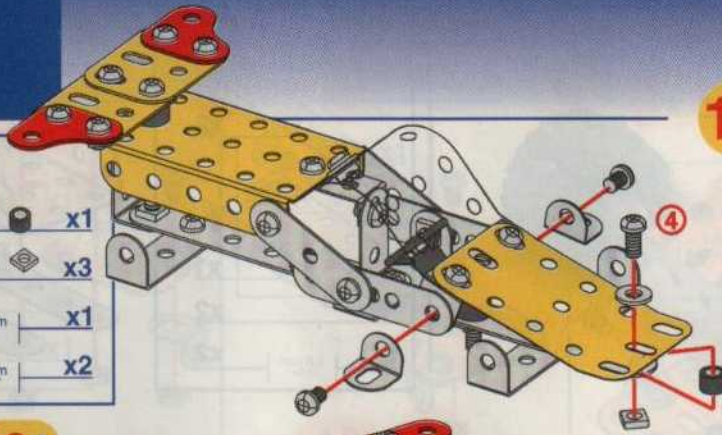
17 14+ 16+

- x1
- x1



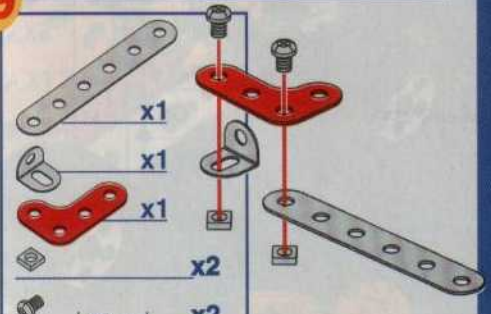
18 17+

- x2
- x1
- x1
- x3
- ④ 9.5 mm 3/8" x1
- 5.8 mm 15/64" x2



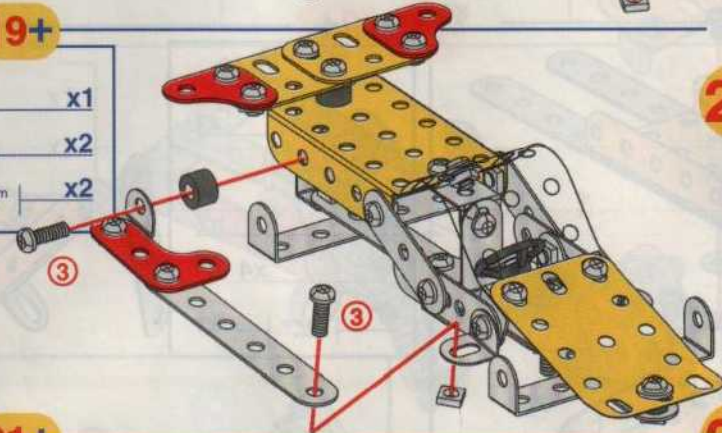
19

- x1
- x1
- x1
- x2
- 5.8 mm 15/64" x2



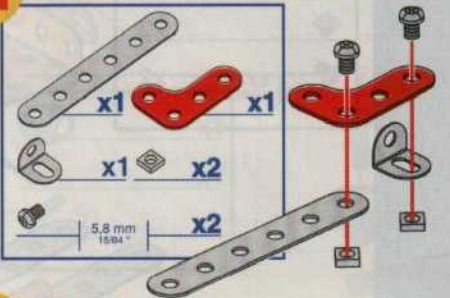
20 18+ 19+

- x1
- x2
- ③ 12 mm 1/2" x2



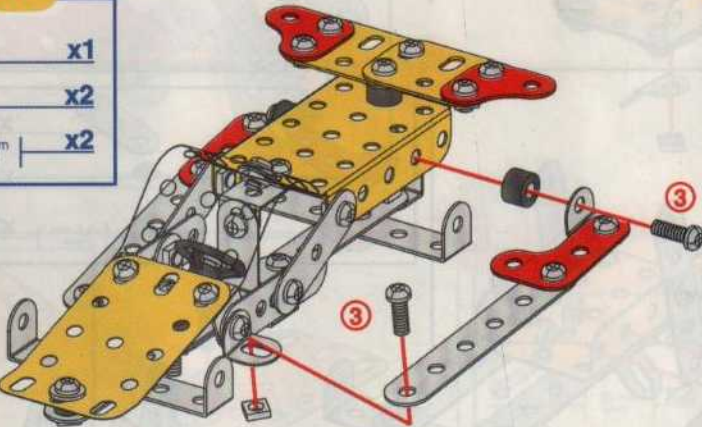
21

- x1
- x1
- x1
- x2
- 5.8 mm 15/64" x2



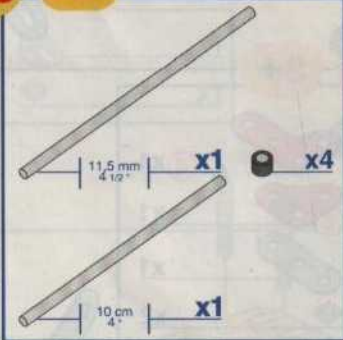
22 20+ 21+

- x1
- x2
- ③ 12 mm 1/2" x2



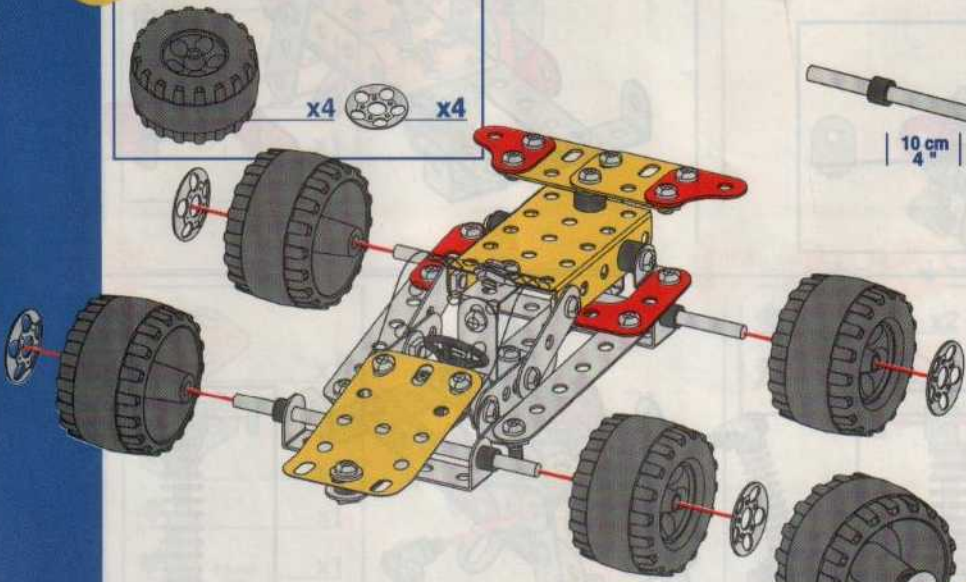
23 22+

- x1
- x4
- x1

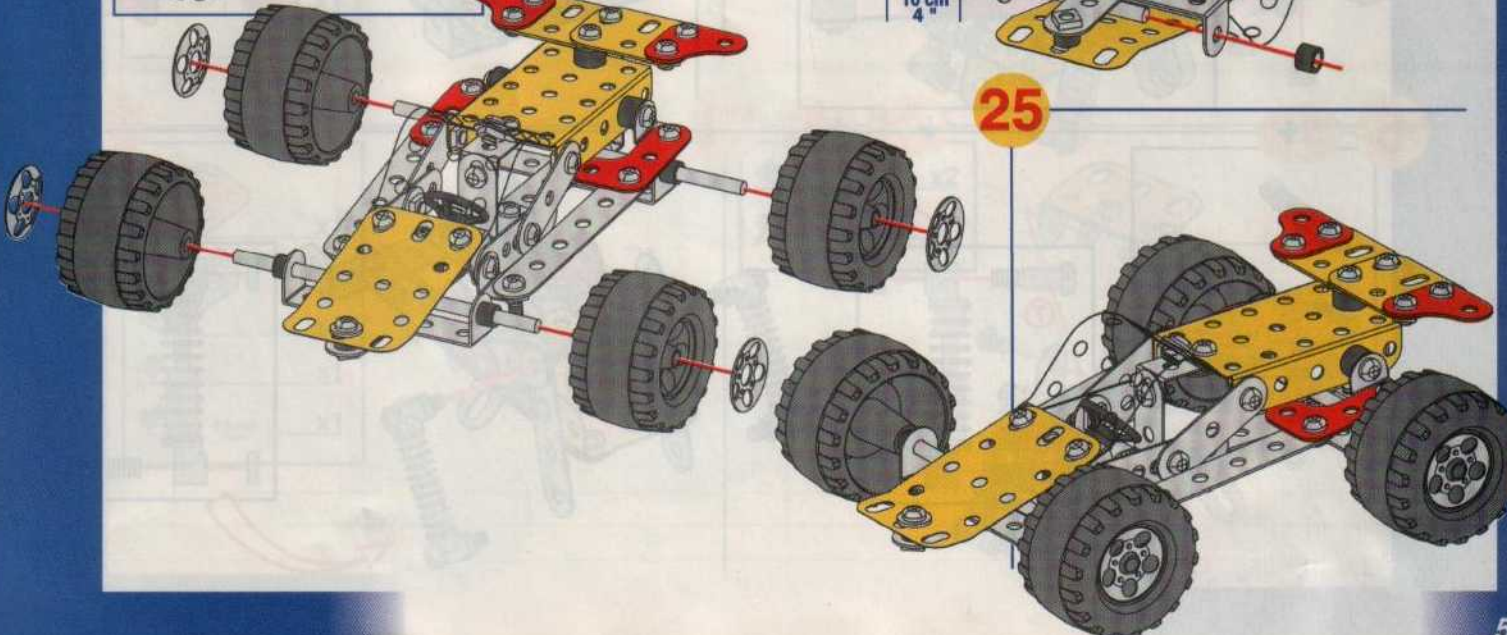
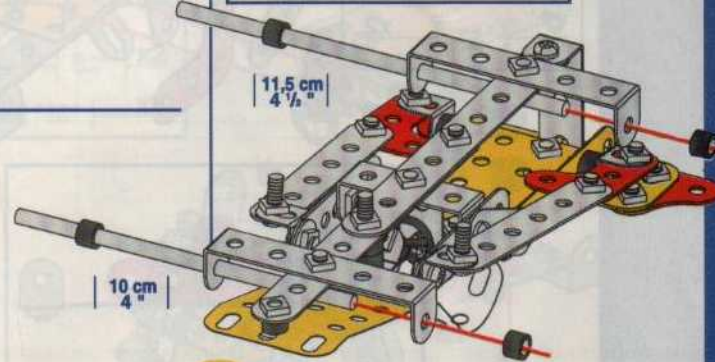


24 23+

- x4
- x4



25





**1**

	x2
	x1
	x2
	x2

**2** **1+**

	x2
	x2
	x2

**3** **2+**

	x1
	x2
	x4
	x4

**4** **3+**

	x1
	x1
	x1
	x2
	x2

**5** **4+**

	x1
	x1
	x1
	x2
	x2

**6** **5+**

	x2
	x6
	x4

7



8 7+



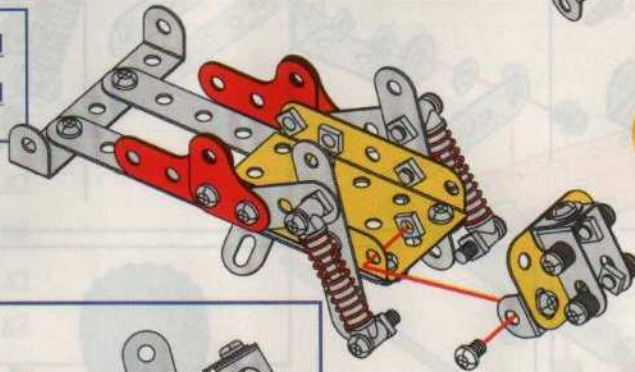
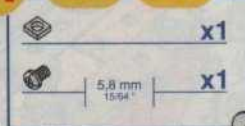
9 8+



10 9+



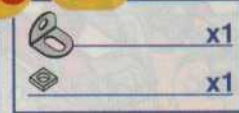
11 6+ 10+



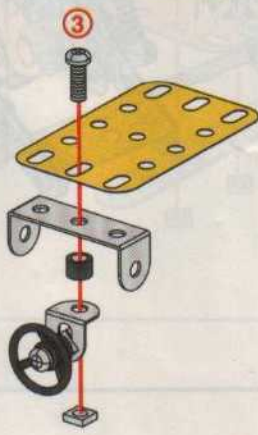
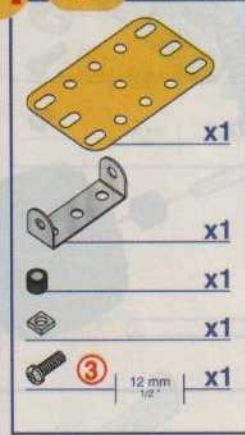
12



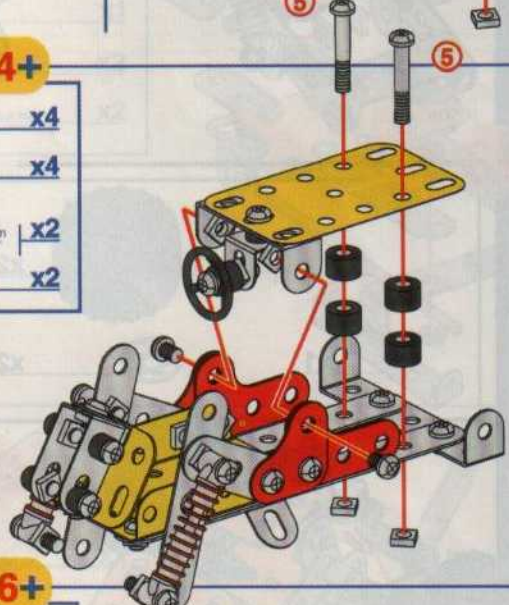
13 12+



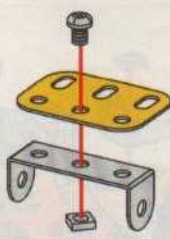
14 13+



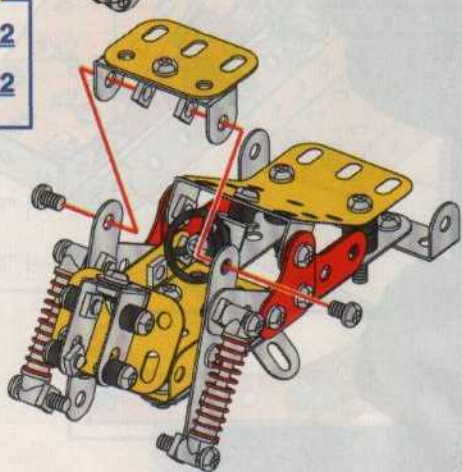
15 11+ 14+



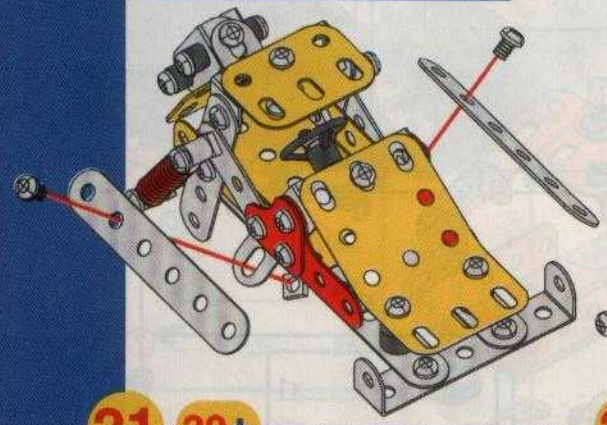
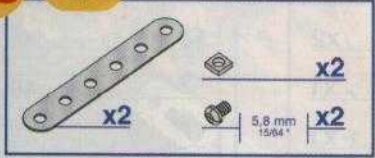
16



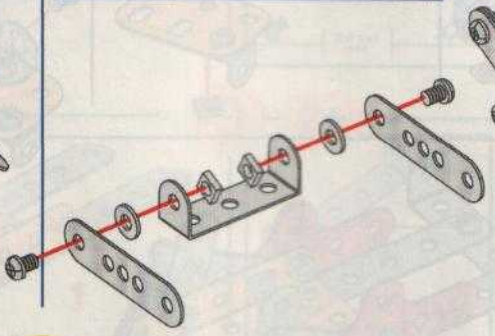
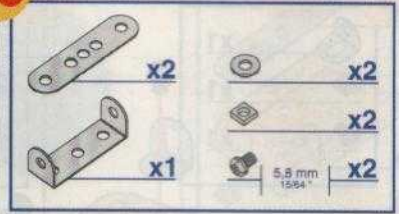
17 15+ 16+



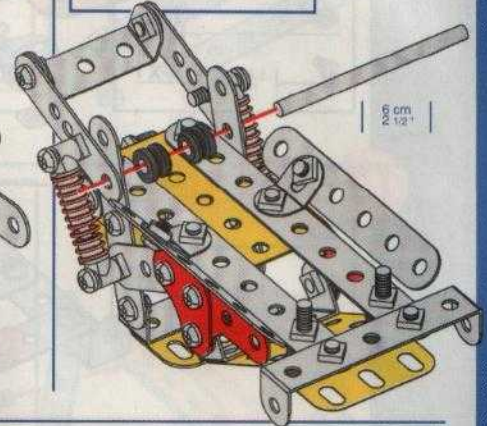
18 17+



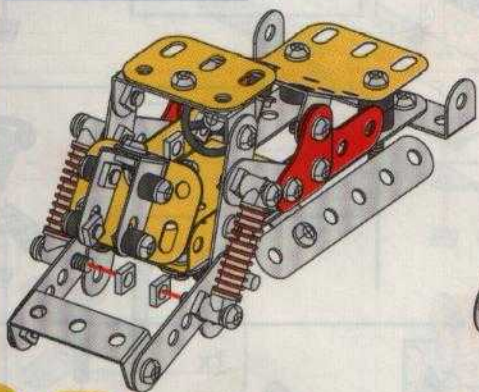
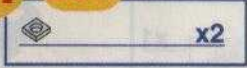
19



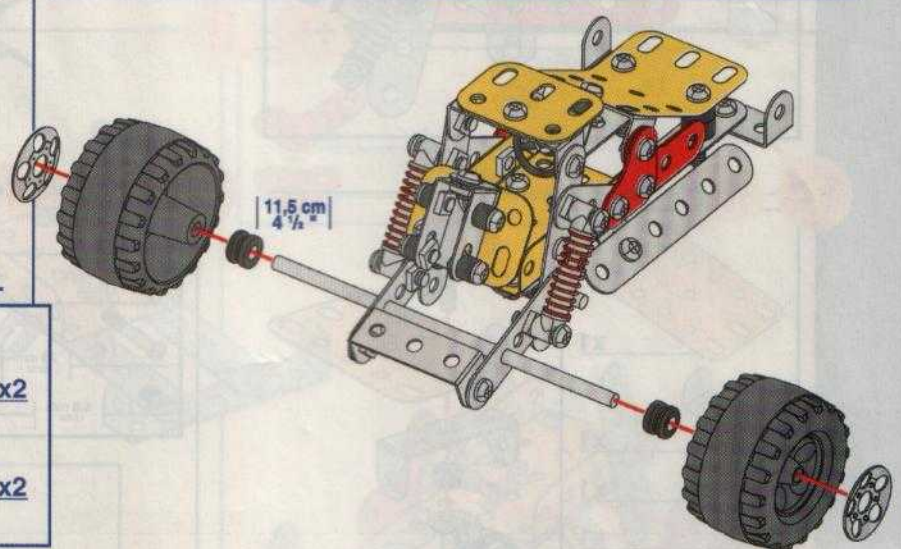
20 18+ 19+



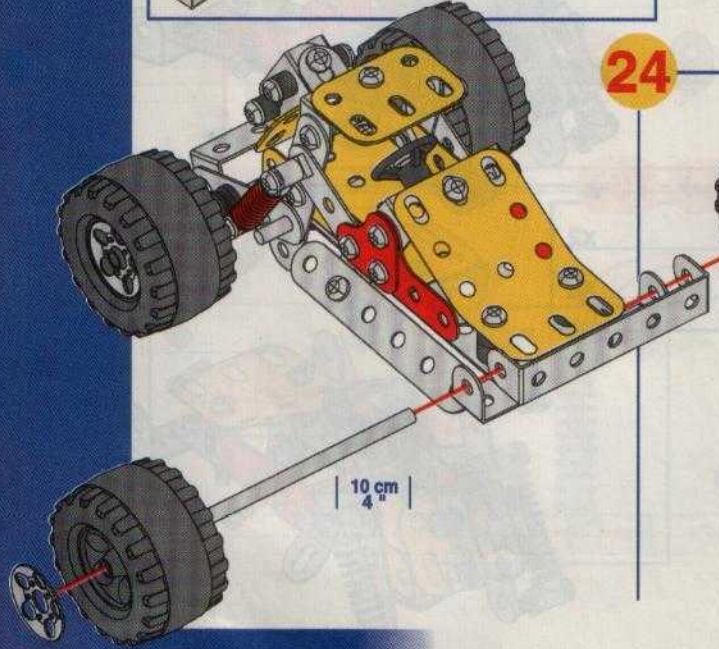
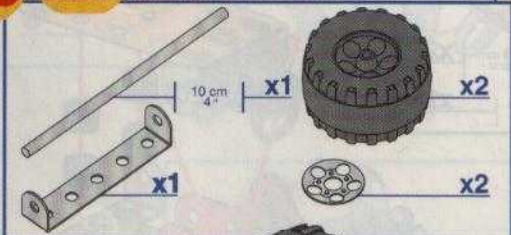
21 20+



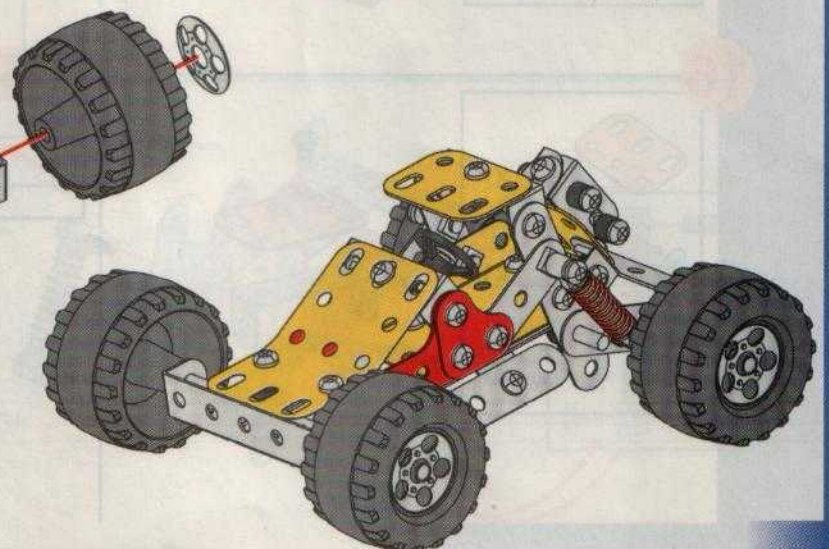
22 21+



23 22+



24

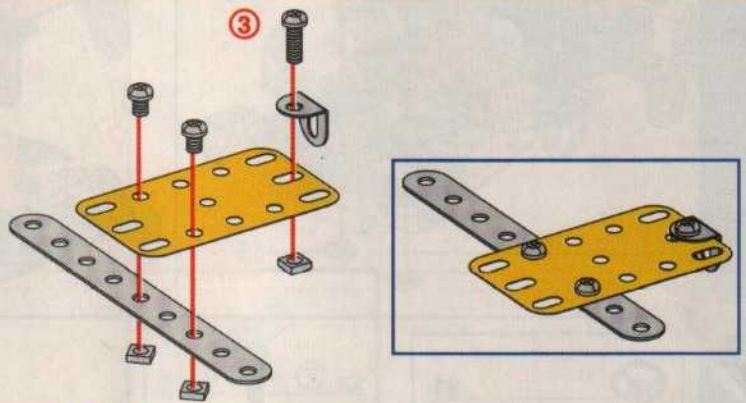






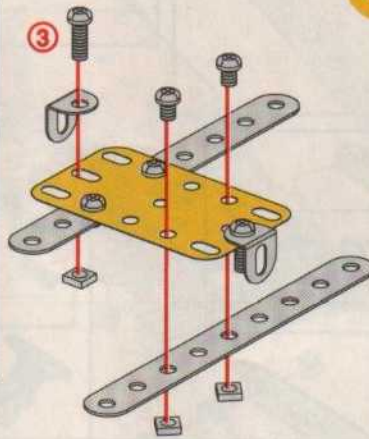
**1**

	x1		x1
	x1		
	x3		
	x1	12 mm 1/2"	
	x2	5,8 mm 15/64"	



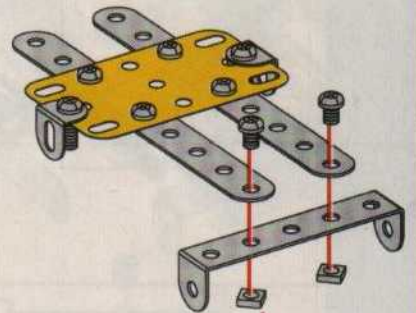
**2 1+**

	x1
	x1
	x3
	x1
	x2



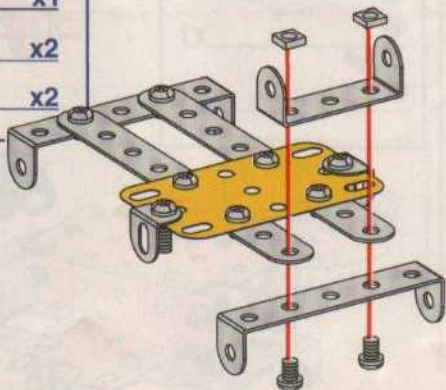
**3 2+**

	x1
	x2
	x2



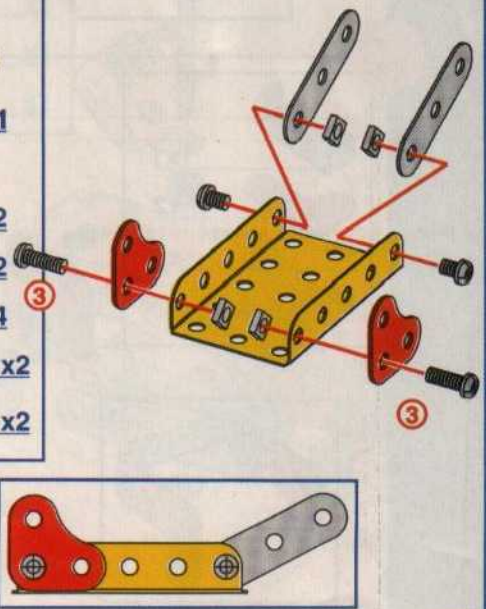
**4 3+**

	x1
	x1
	x2
	x2



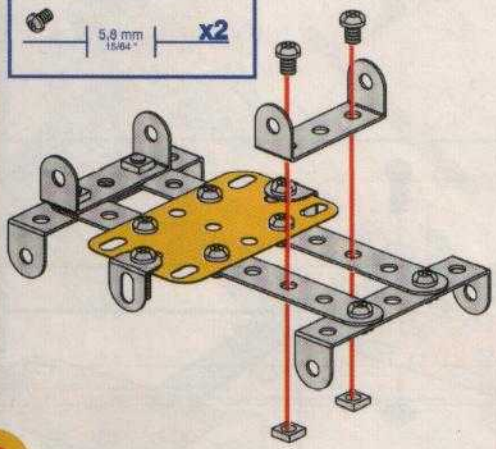
**5**

	x1
	x2
	x2
	x4
	x2
	x2



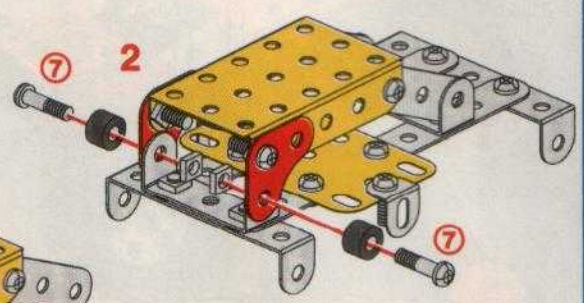
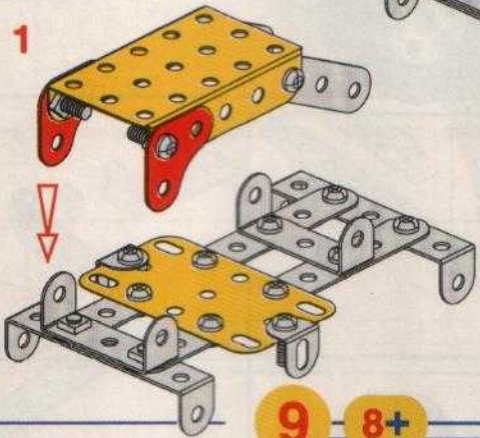
6 4+

- x1
- x2
- x2



7 5+ 6+

- x2
- x2
- x2



8

- x1
- x1
- x1



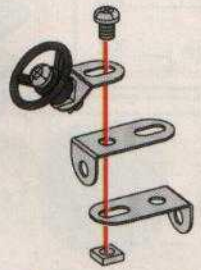
9 8+

- x1
- x1



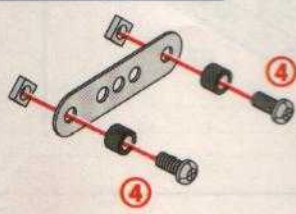
10 9+

- x2
- x1
- x1



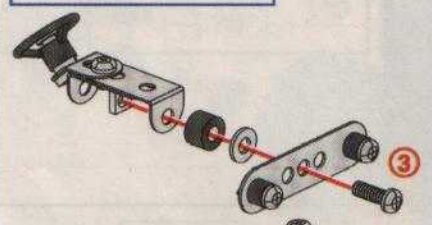
11

- x1
- x2
- x2
- x2



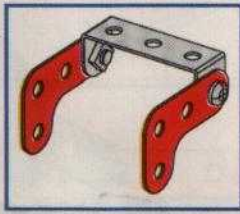
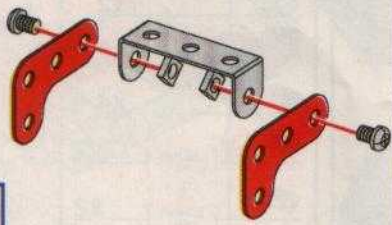
12 10+ 11+

- x1
- x1
- x1



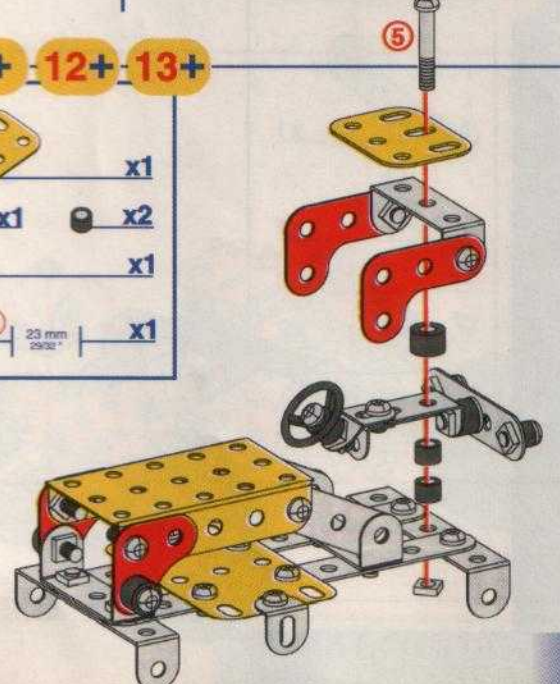
13

- x1
- x2
- x2
- x2





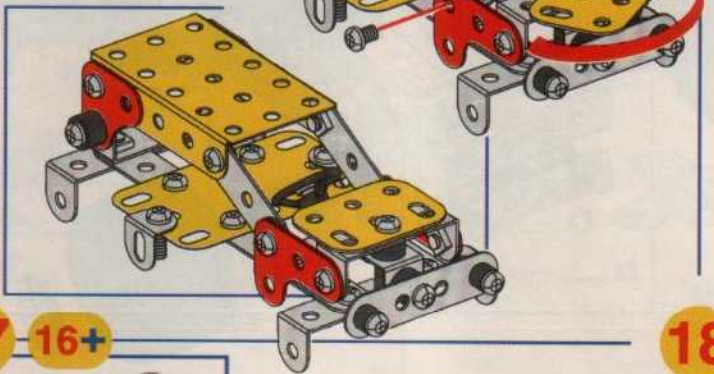
14 7+ 12+ 13+

- x1
- x1
- x2
- x1
- x1



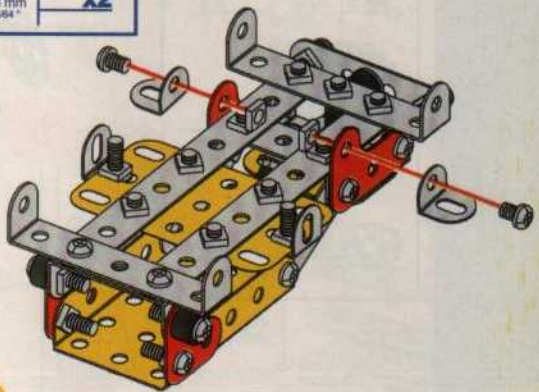
15 14+

-  x2
-  5,8 mm 1584" x2



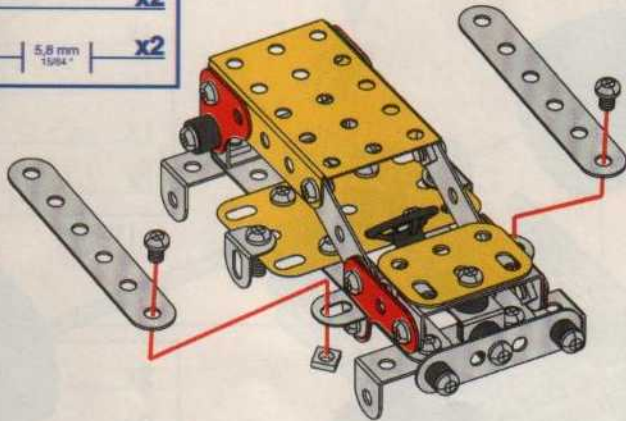
16 15+

-  x2
-  x2
-  5,8 mm 1584" x2



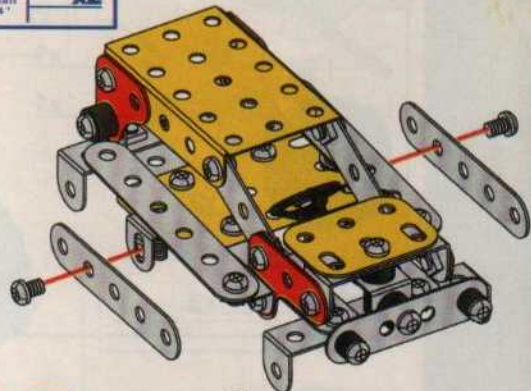
17 16+

-  x2
-  x2
-  5,8 mm 1584" x2



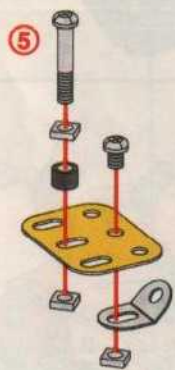
18 17+

-  x2
-  x2
-  5,8 mm 1584" x2



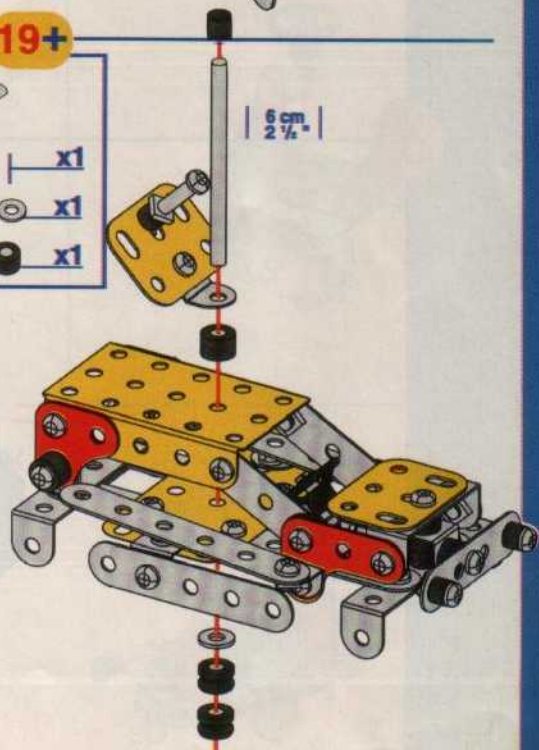
19

-  x1
-  x1
-  x1
-  x3
-  23 mm 2902" x1
-  5,8 mm 1584" x1

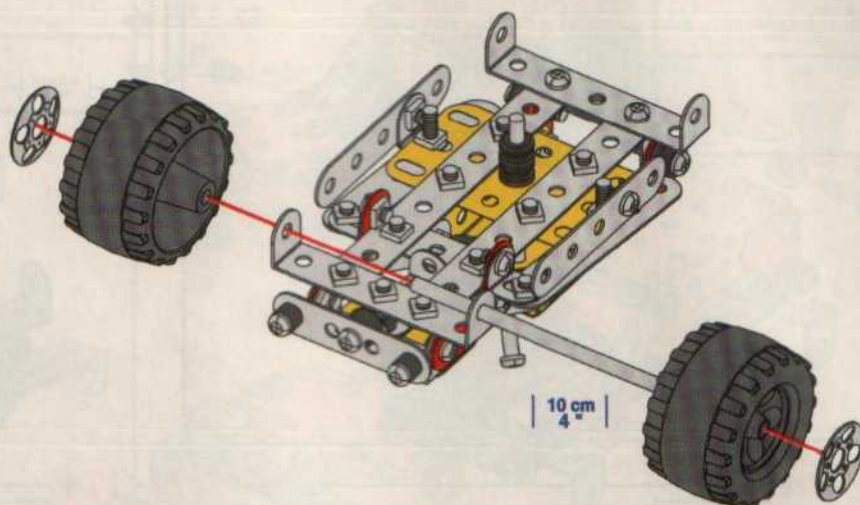
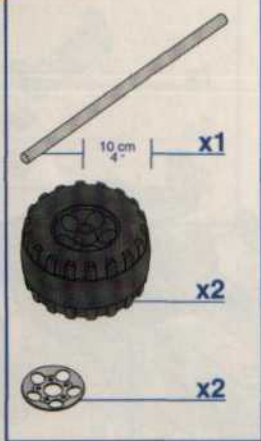


20 18+ 19+

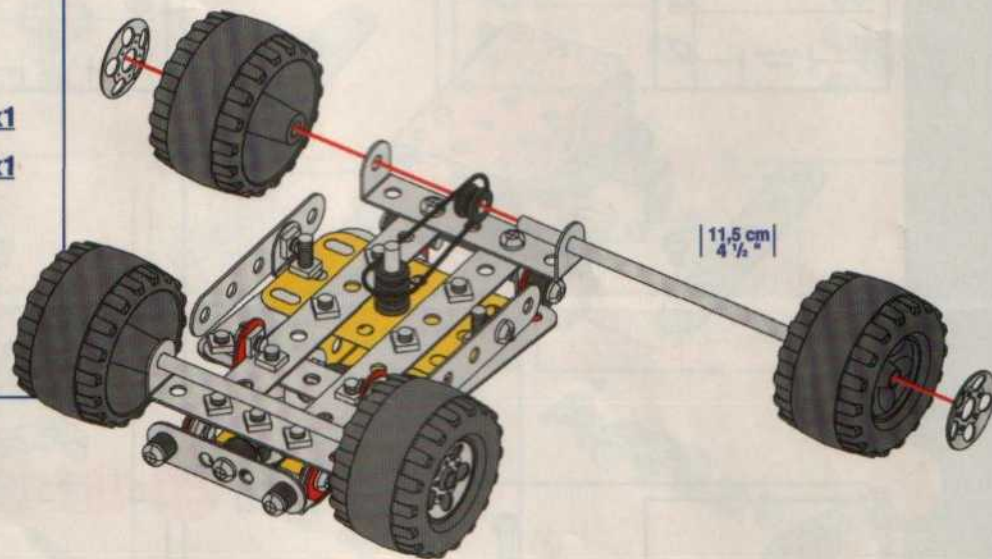
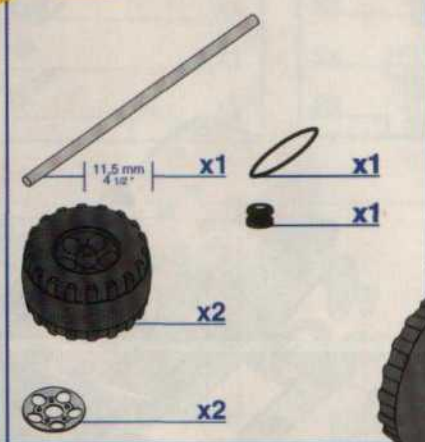
-  6,8 cm 10" x1
-  x1
-  x1
-  x2
-  x1



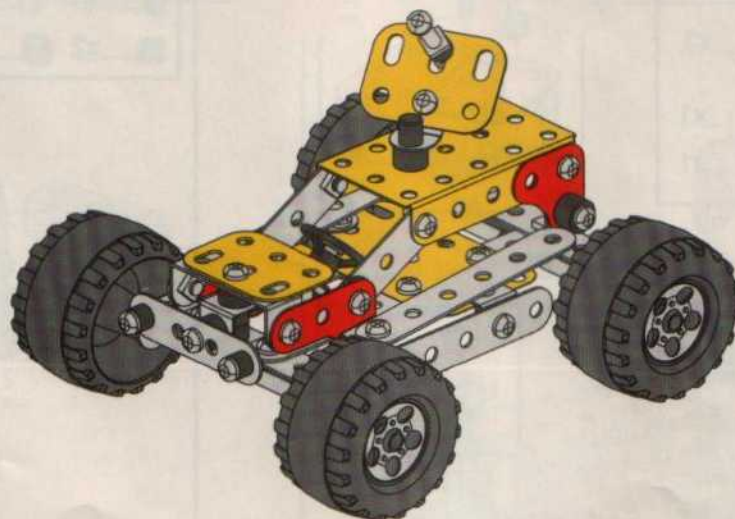
21 20+

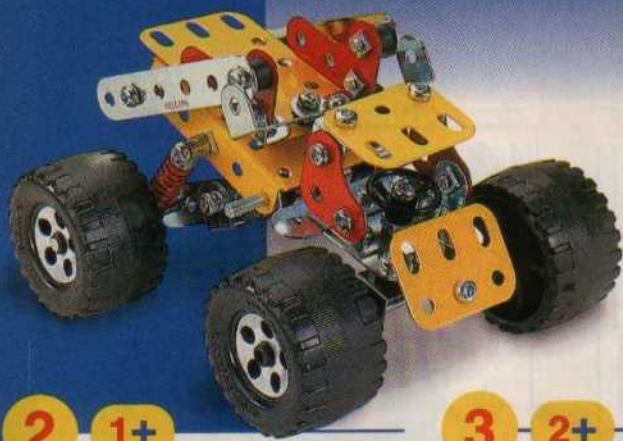


22 21+



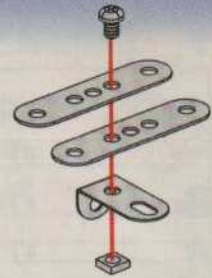
23





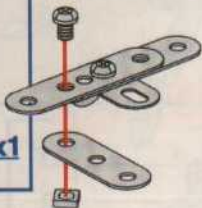
1

	x2
	x1
	x1
	x1



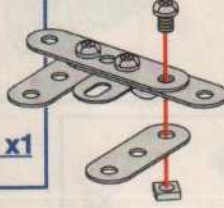
2 1+

	x1
	x1
	x1



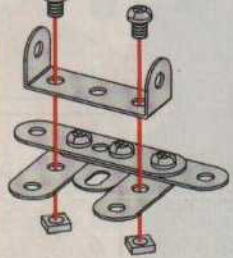
3 2+

	x1
	x1
	x1



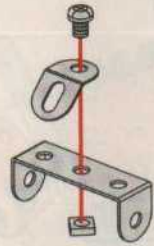
4 3+

	x1
	x2
	x2



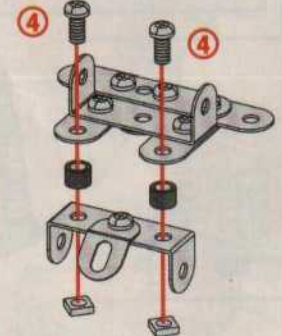
5

	x1
	x1
	x1



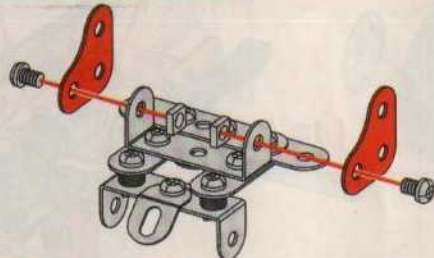
6 4+ 5+

	x2
	x2
	x2



7 6+

	x2
	x2
	x2



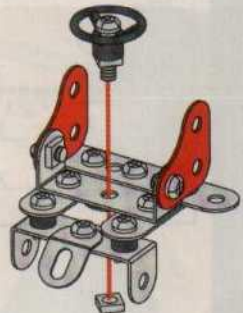
8

	x1
	x1
	x1



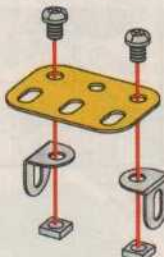
9 7+ 8+

	x1
--	----



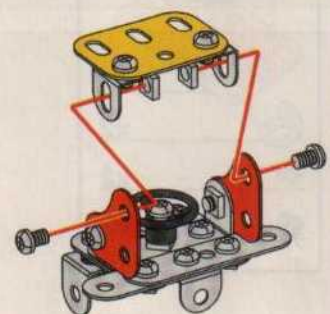
10

	x1
	x2
	x2
	x2






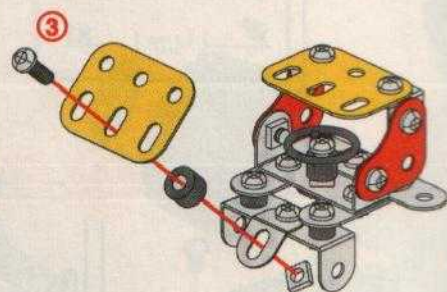
11 9+ 10+

	x2
	x2







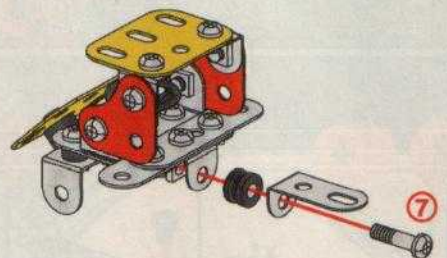
12 11+

-  x1
-  x1
-  x1
-  x1
-  12 mm  
1/2" x1

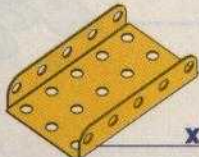
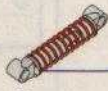




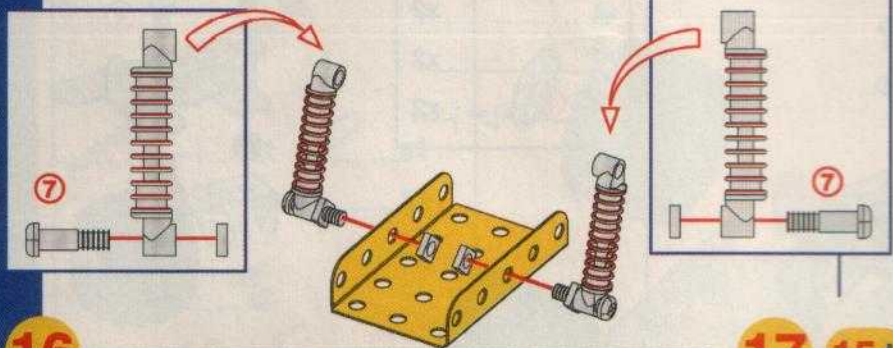
13 12+

-  x1
-  x1
-  x1
-  14,7 mm  
3/4" x1



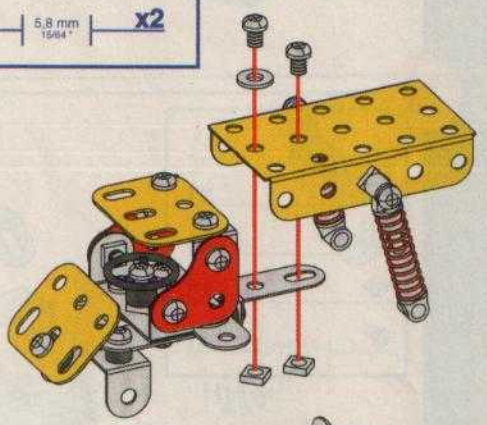
14

-  x1
-  x2
-  x4
-  14,7 mm  
3/4" x2

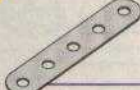
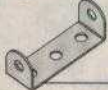




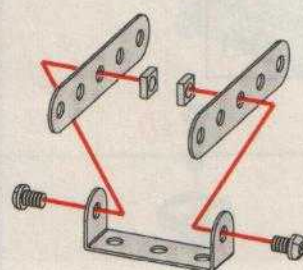
15 13+ 14+

-  x1
-  x2
-  5,8 mm  
1/4" x2





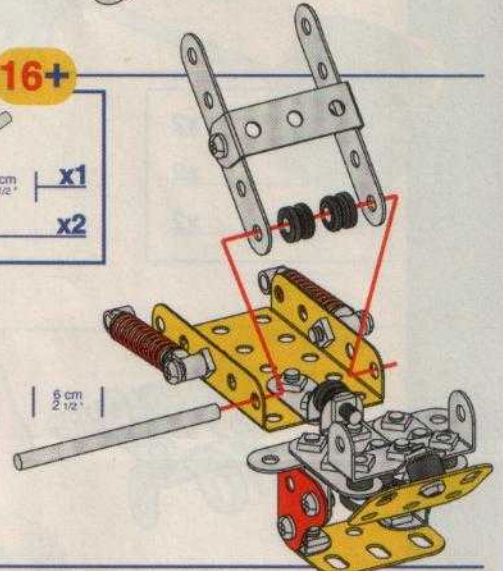
16

-  x2
-  x1
-  x2
-  5,8 mm  
1/4" x2





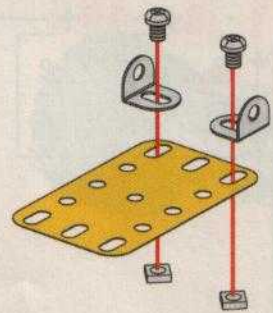
17 15+ 16+

-  8 cm  
2 1/2" x1
-  x2



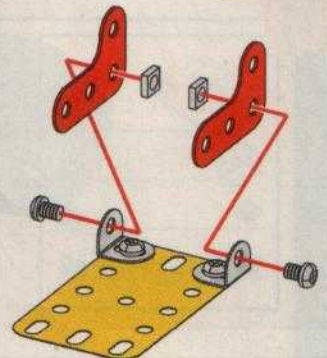
18

-  x1
-  x2
-  x2
-  5,8 mm  
1/4" x2



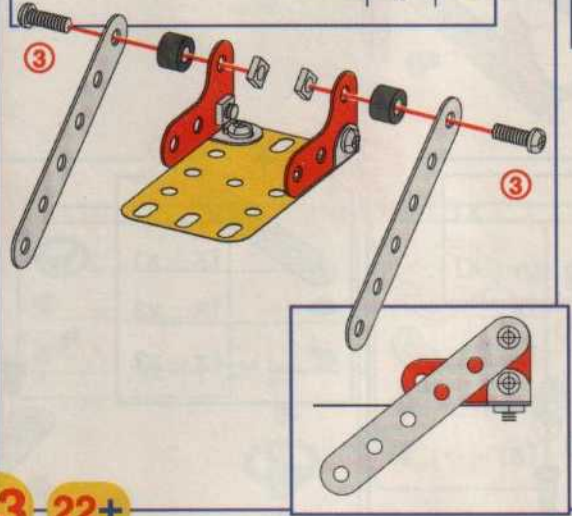
19 18+

-  x2
-  x2
-  5,8 mm  
1/4" x2



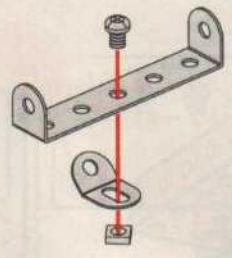
20 19+

- x2
- x2
- x2
- x2
- x2
- x2



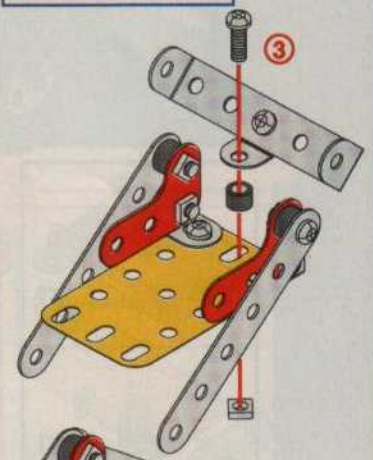
21

- x1
- x1
- x1
- x1



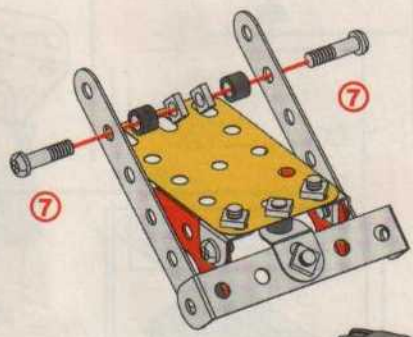
22 20+ 21+

- x1
- x1
- x1
- x1
- x1



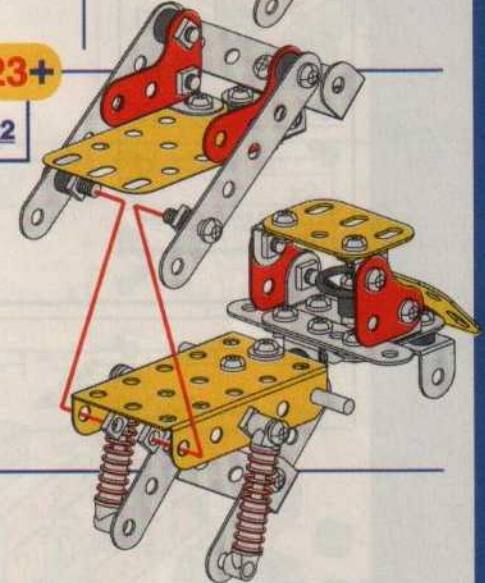
23 22+

- x2
- x2
- x2
- x2
- x2



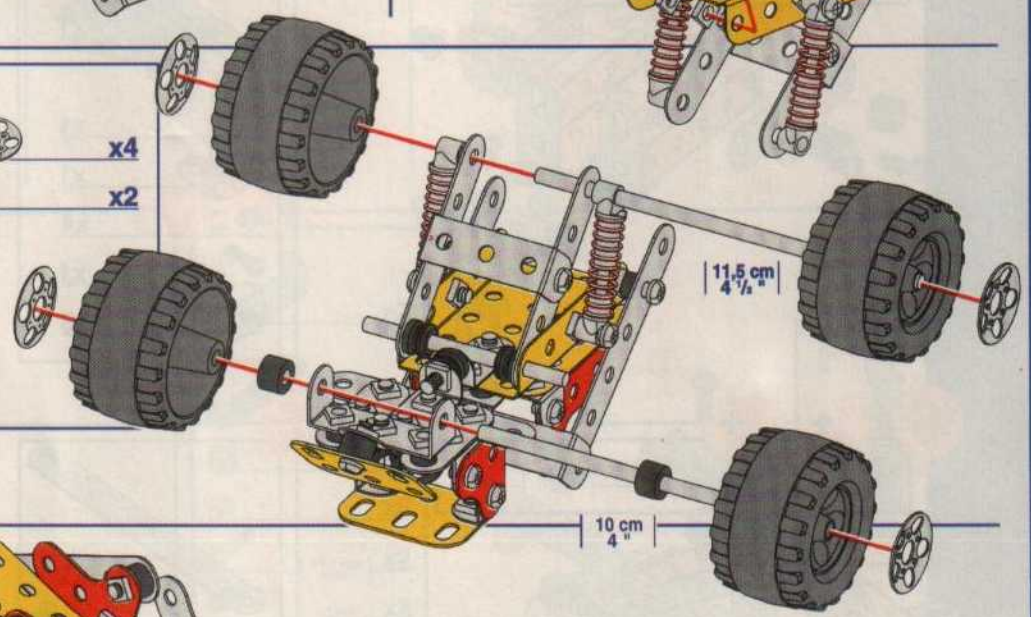
24 17+ 23+

- x2

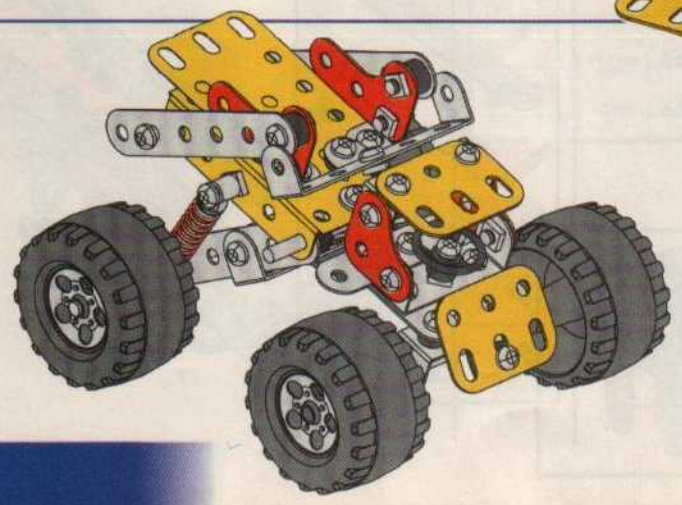


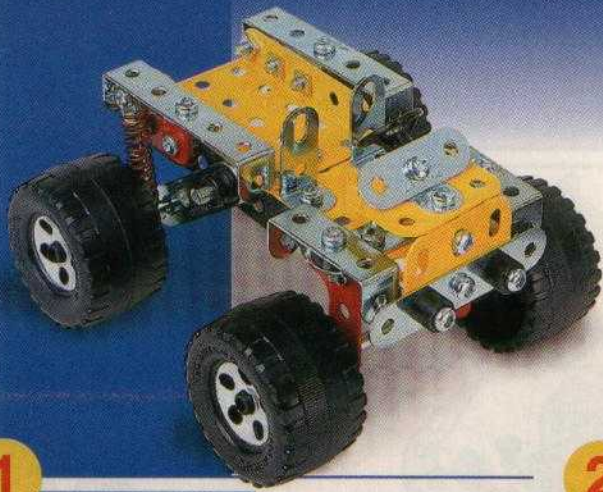
25 24+

- x4
- x4
- x2
- x1
- x1



26





**1**

	x1
	x1
	x2
	x3
	x1
	x2

**2**

	x1
	x1

**3** **1+** **2+**

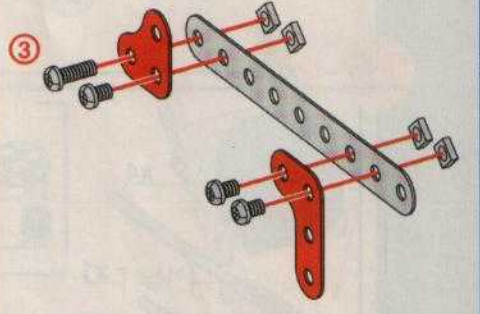
	x1
	x3
	x2

**4** **3+**

	x3
	x3
	x3

**5**

	x1
	x1
	x1
	x4
	x1
	x3

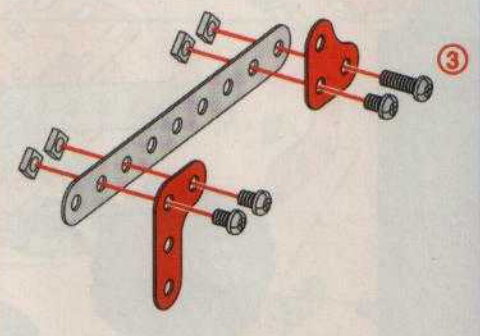


**6** **4+** **5+**

	x1
	x1

**7**

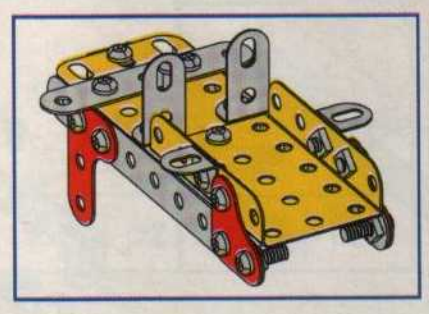
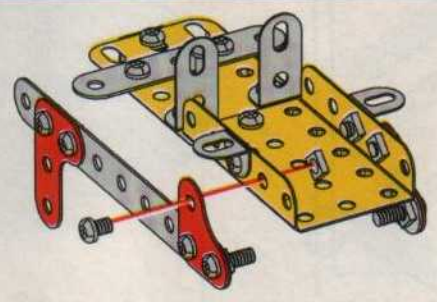
	x1
	x1
	x1
	x4
	x1
	x3





**8** **6+** **7+**

- x1
- 5,8 mm 15/64" x1



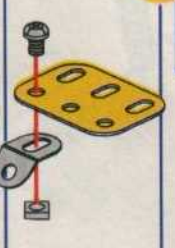
**9**

- x1
- x1
- 14,7 mm 37/64" x1



**10**

- x1
- x1
- x1
- 5,8 mm 15/64" x1



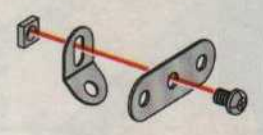
**11** **9+** **10+**

- x1



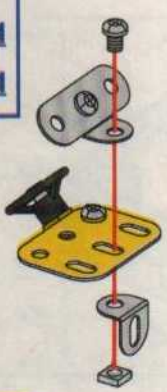
**12**

- x1
- x1
- 5,8 mm 15/64" x1



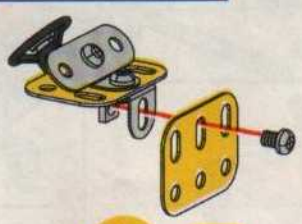
**13** **11+** **12+**

- x1
- x1
- 5,8 mm 15/64" x1



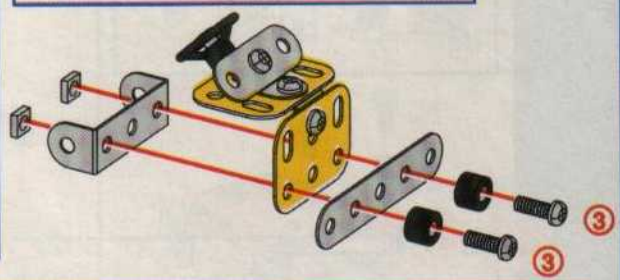
**14** **13+**

- x1
- x1
- 5,8 mm 15/64" x1



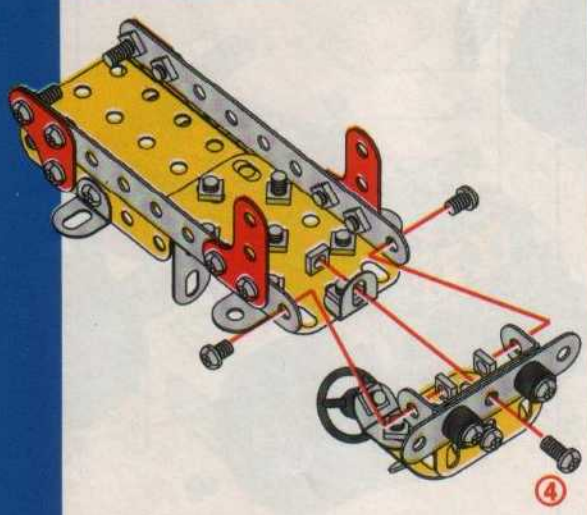
**15** **14+**

- x1
- x2
- x2
- 12 mm 1/2" x2



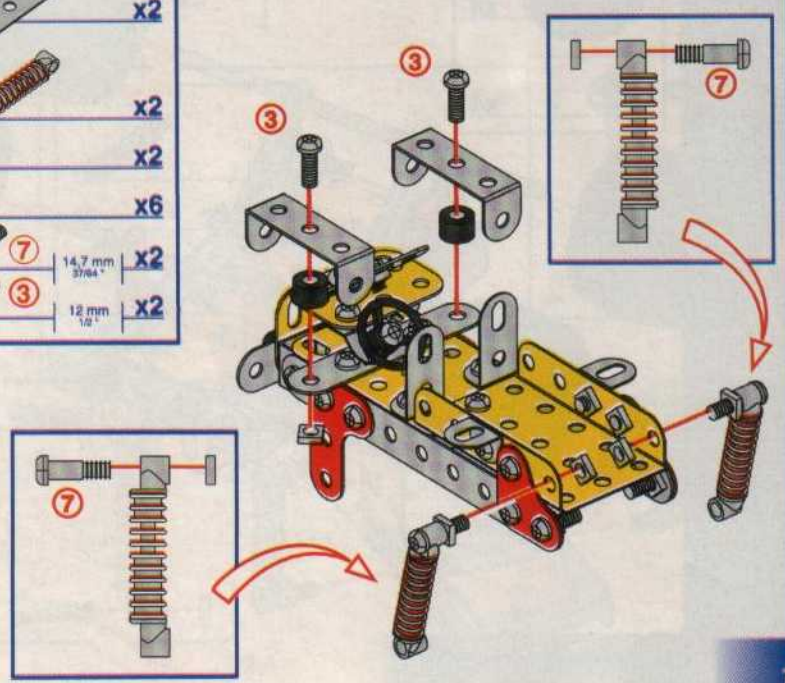
**16** **8+** **15+**

- x3
- 9,5 mm 3/8" x1
- 5,8 mm 15/64" x2

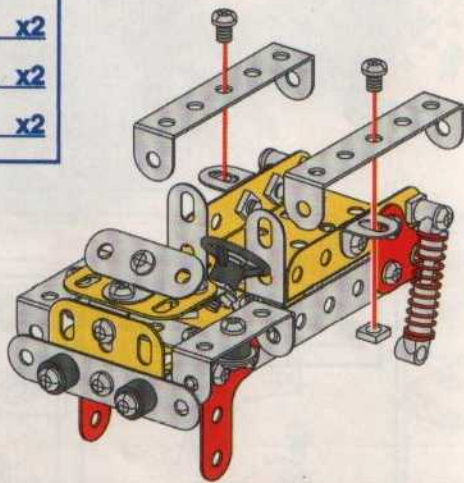
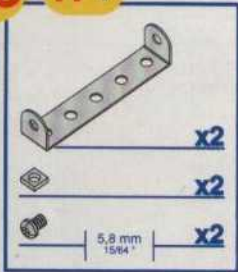


**17** **16+**

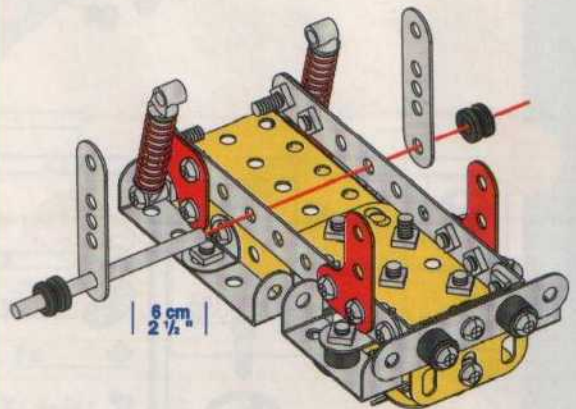
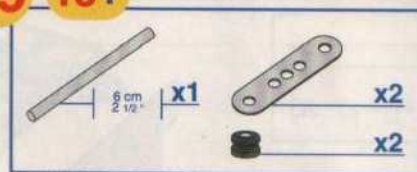
- x2
- x2
- x2
- x6
- 14,7 mm 37/64" x2
- 12 mm 1/2" x2



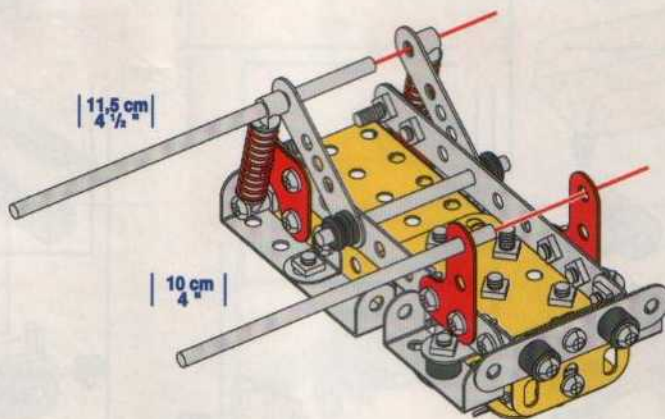
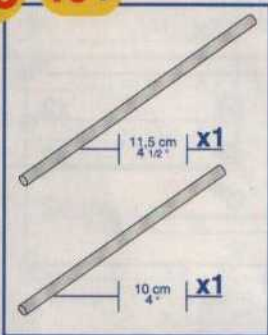
18 17+



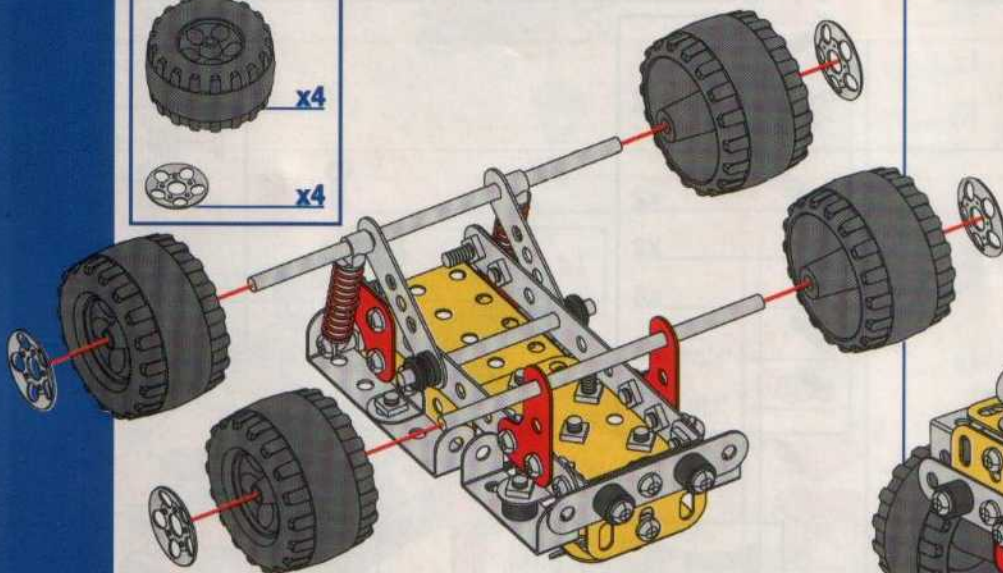
19 18+



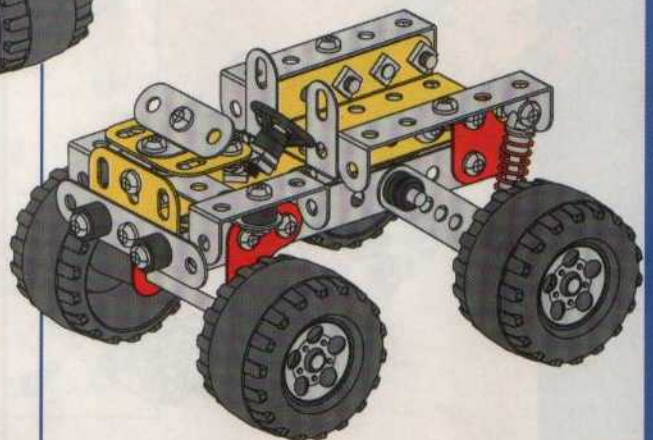
20 19+

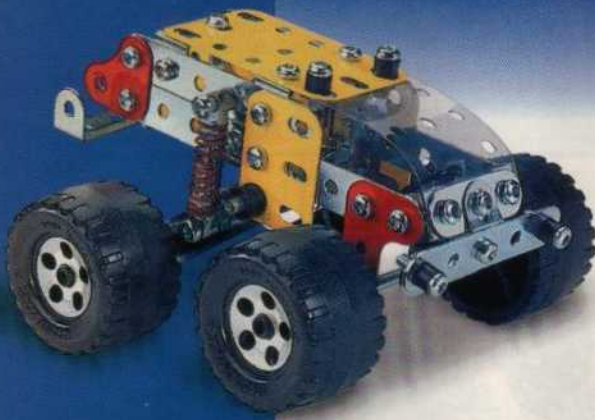


21 20+

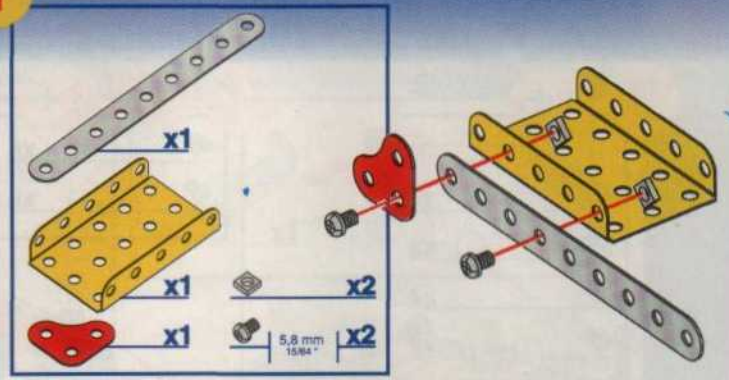


22

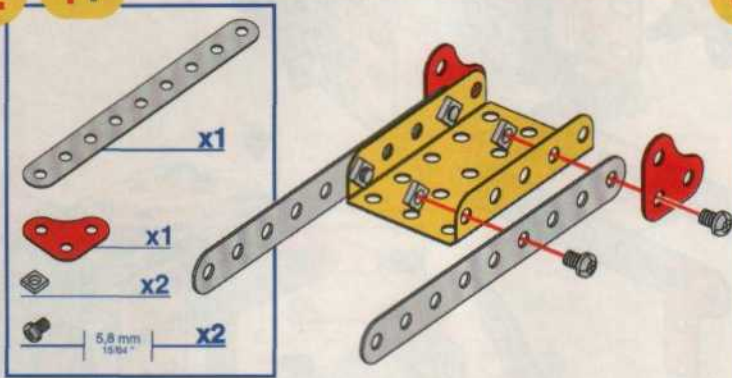




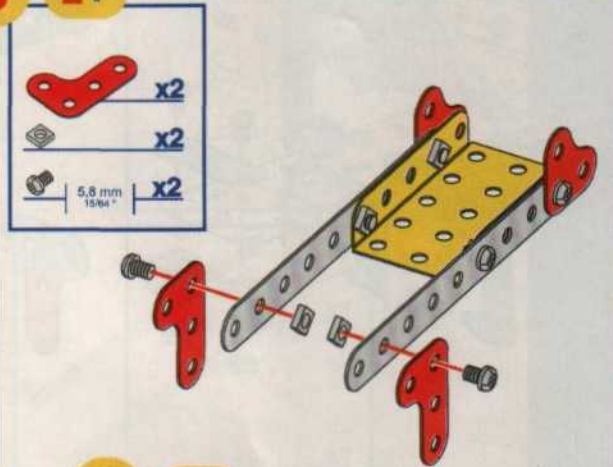
**1**



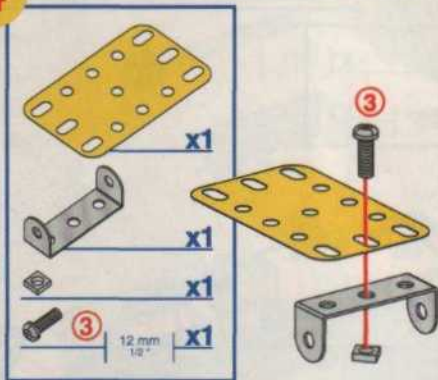
**2 1+**



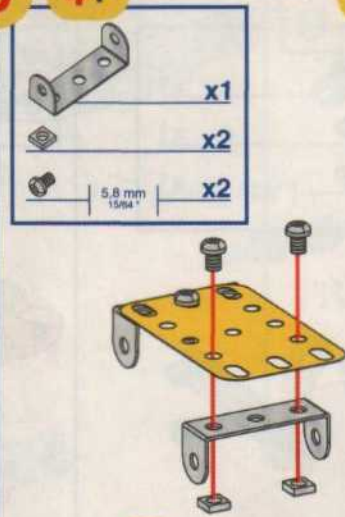
**3 2+**



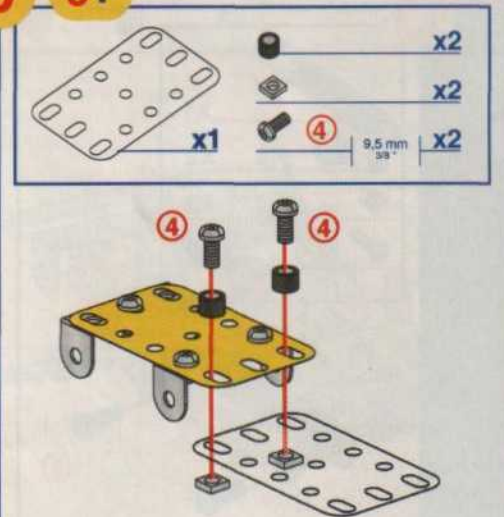
**4**



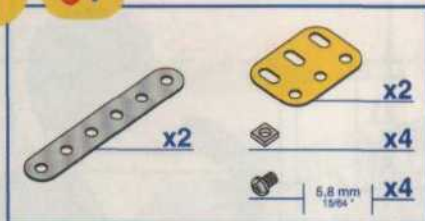
**5 4+**



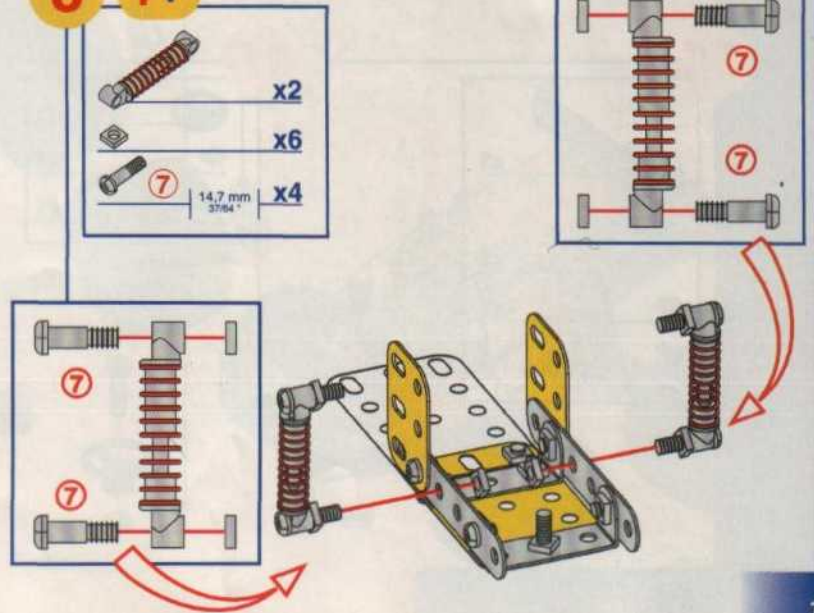
**6 5+**



**7 6+**

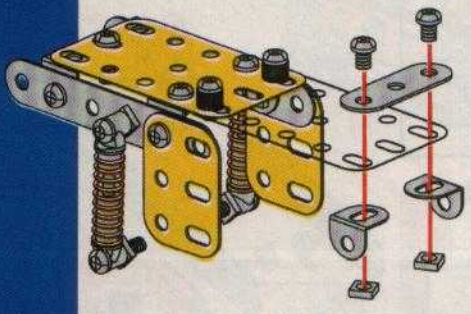


**8 7+**



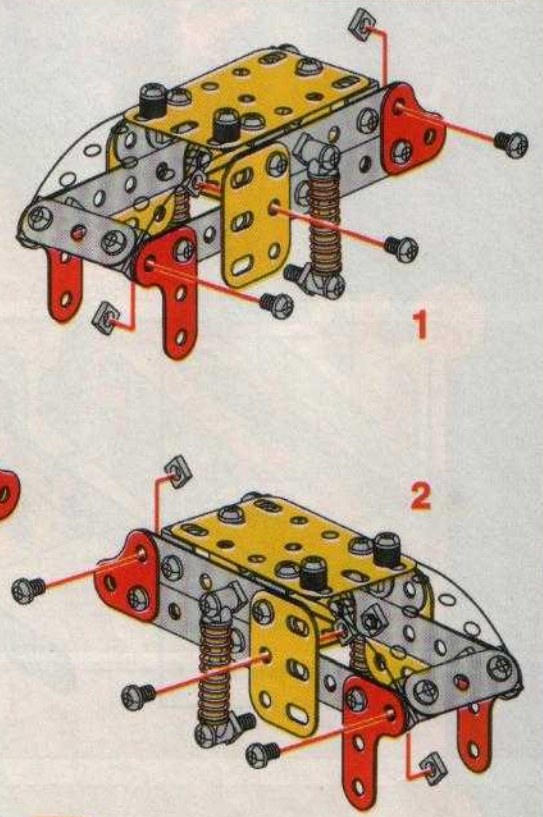
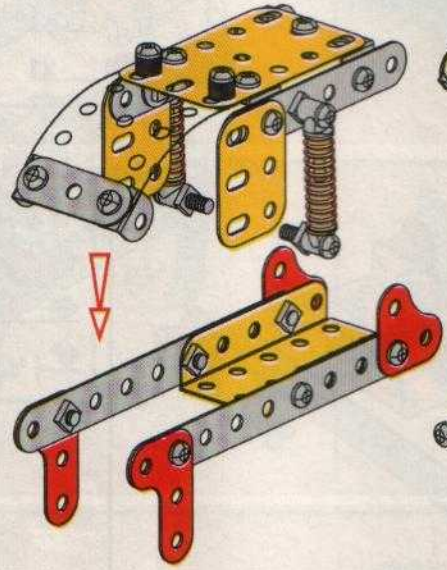
9 8+

- x1
- x2
- x2
- x2



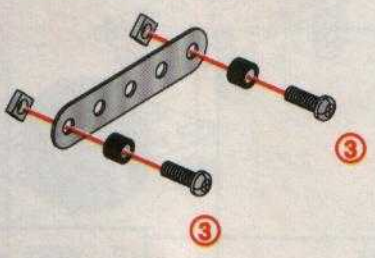
10 3+ 9+

- x6
- x6



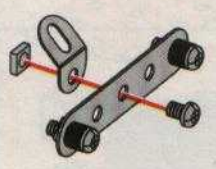
11

- x1
- x2
- x2
- x2



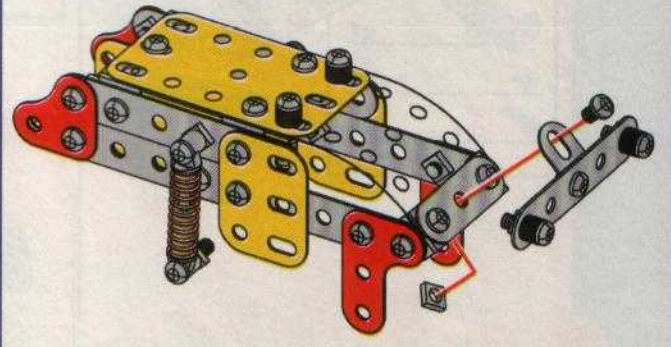
12 11+

- x1
- x1
- x1



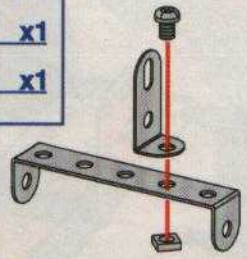
13 10+ 12+

- x1
- x1



14

- x1
- x1
- x1
- x1



15

- x1
- x1
- x1



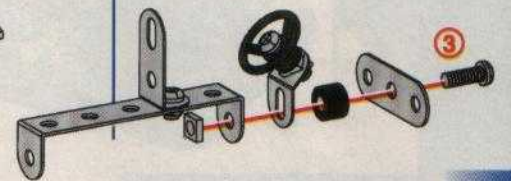
16 15+

- x1
- x1



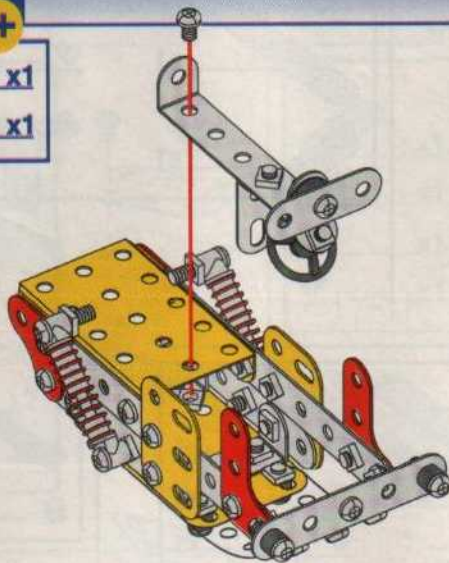
17 14+ 16+

- x1
- x1
- x1
- x1



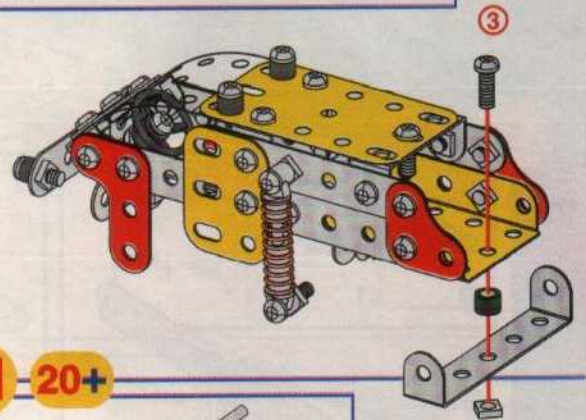
18 13+ 17+

- x1
- x1



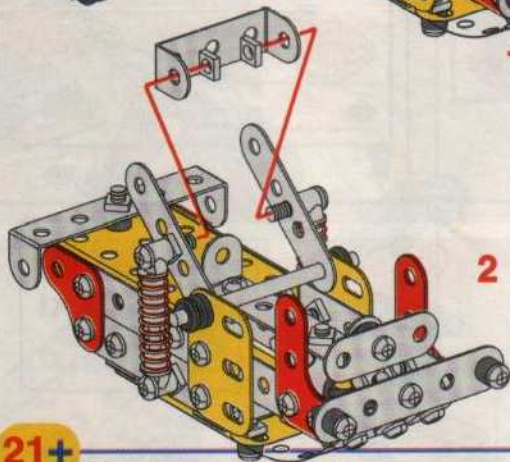
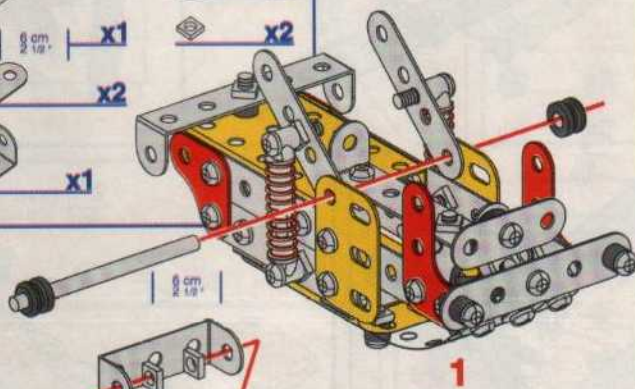
19 18+

- x1
- x1
- x1



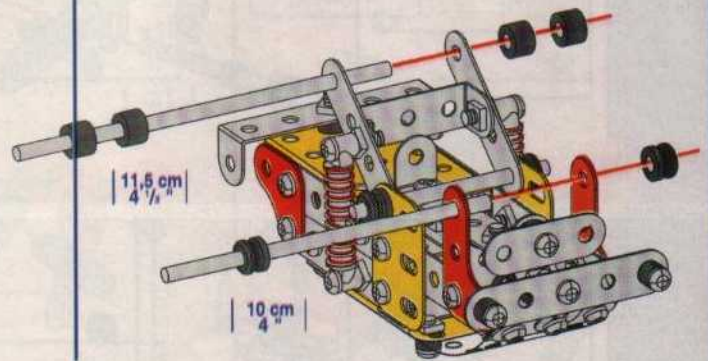
20 19+

- x1
- x2
- x2
- x2
- x1



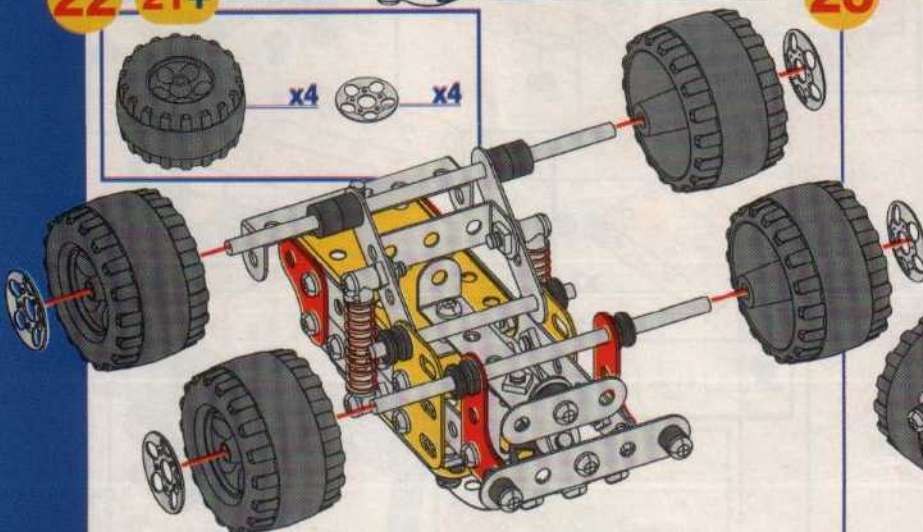
21 20+

- x1
- x1
- x4
- x2

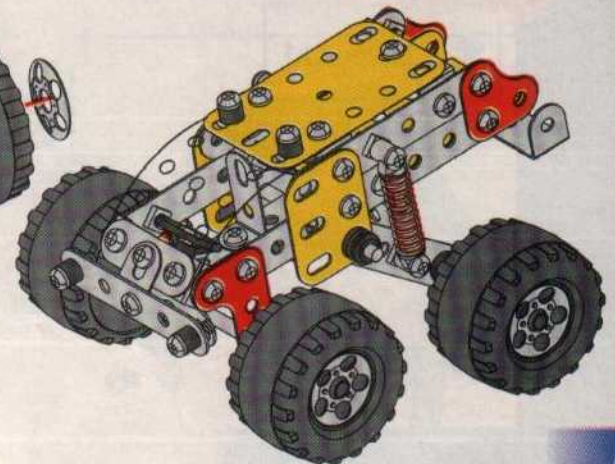


22 21+

- x4
- x4

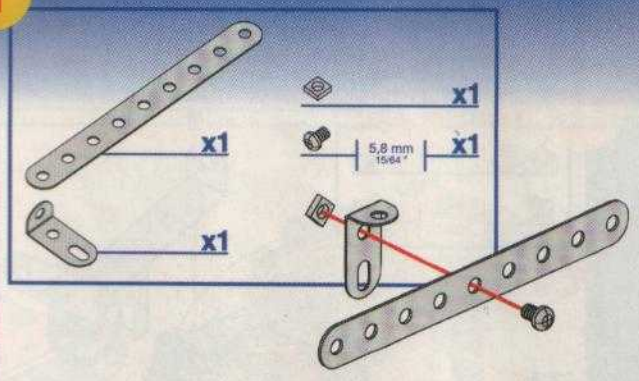


23





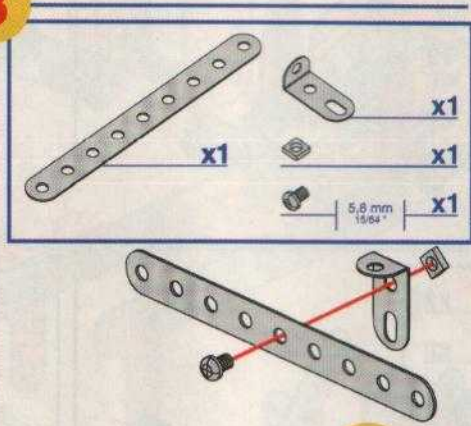
1



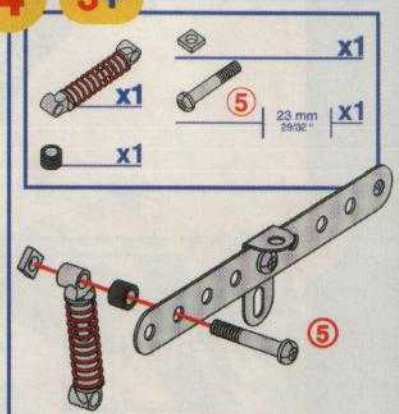
2 1+



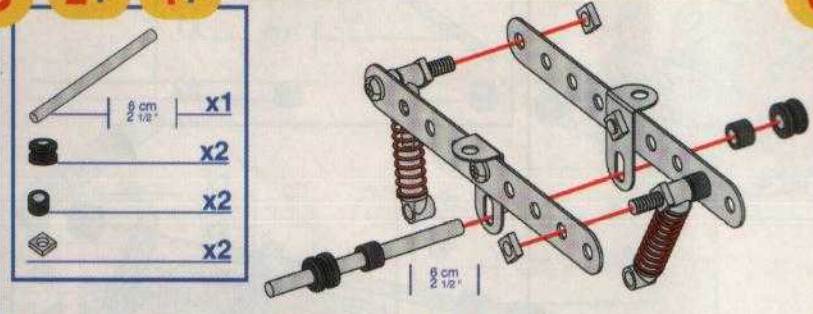
3



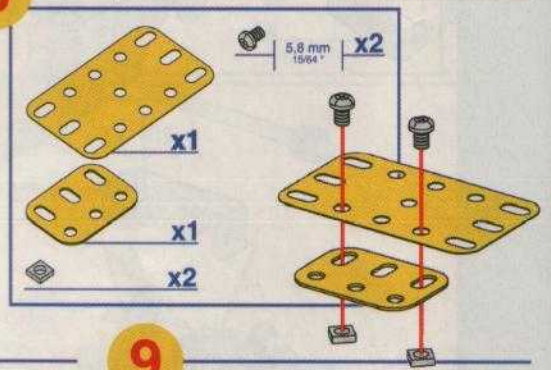
4 3+



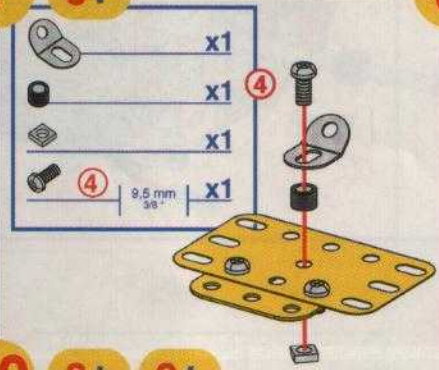
5 2+ 4+



6



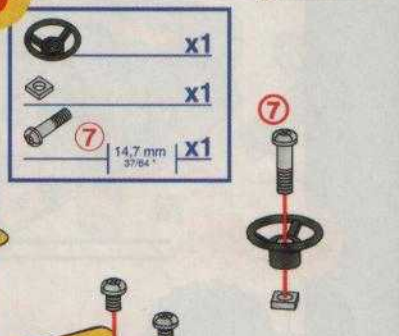
7 6+



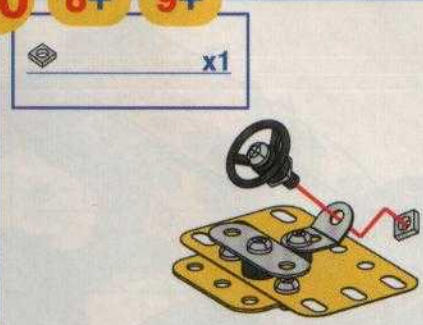
8 7+



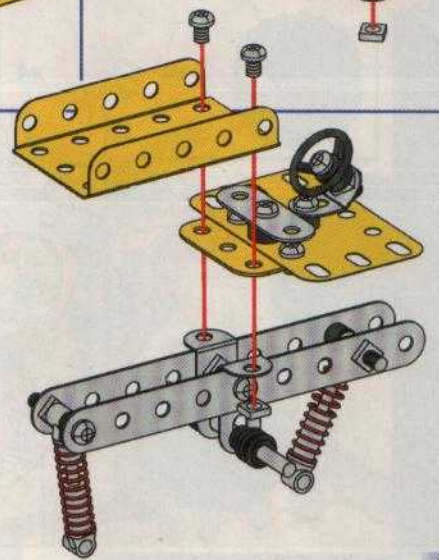
9



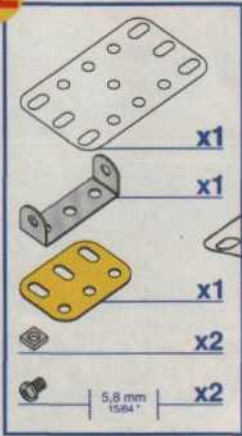
10 8+ 9+



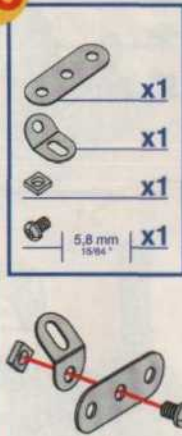
11 5+ 10+



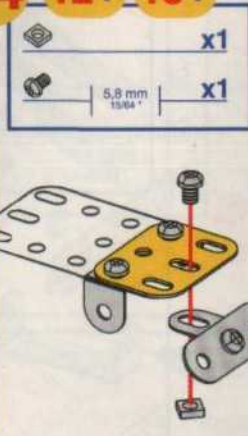
12



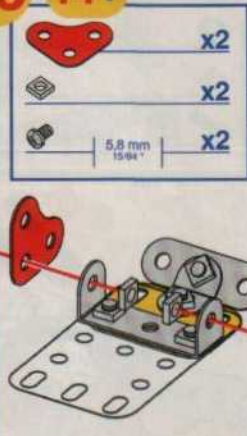
13



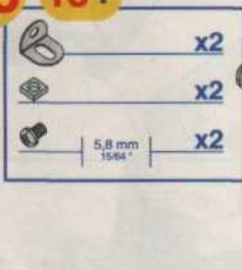
14 12+ 13+



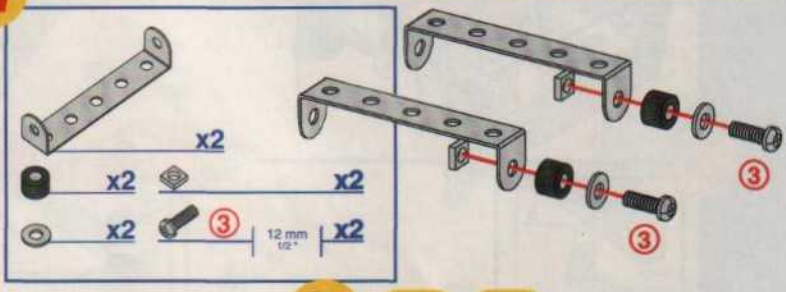
15 14+



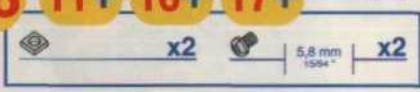
16 15+



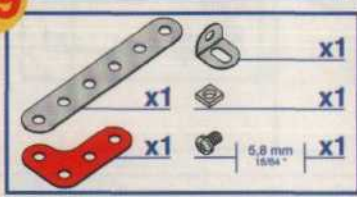
17



18 11+ 16+ 17+



19



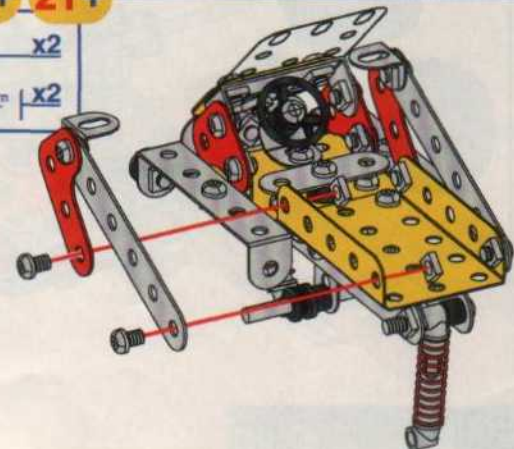
20 18+ 19+



21

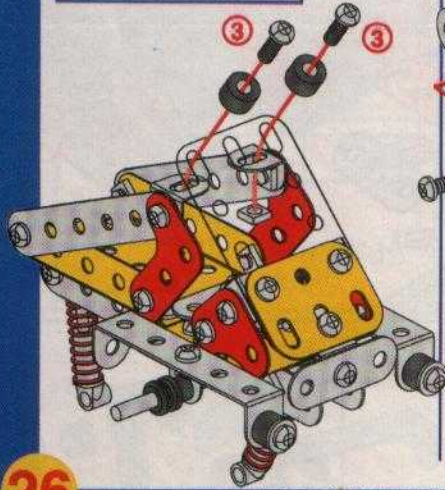


22 20+ 21+







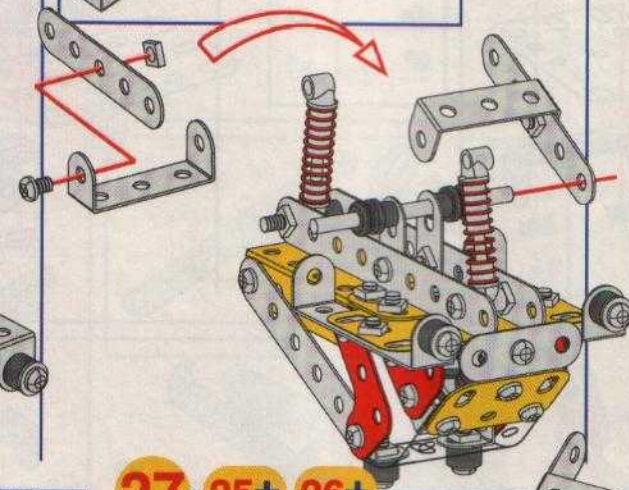
23 22+

-  x2
-  x2
-  12 mm  $\frac{1}{2}$ " x2






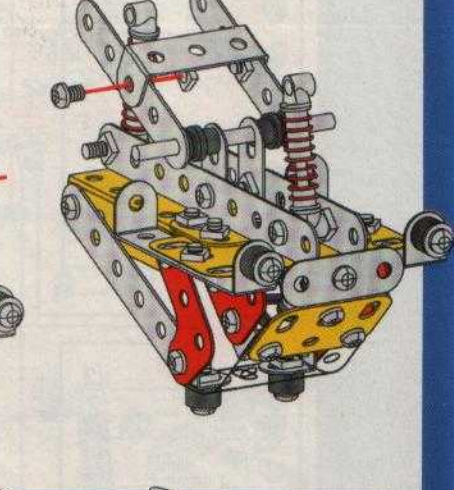
24 23+

-  x1
-  x1
-  x1
-  5.8 mm  $\frac{1}{16}$ " x1







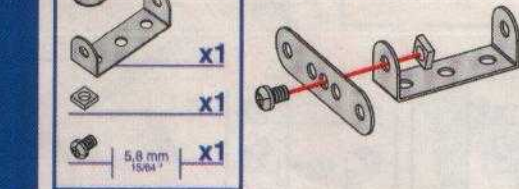
25 24+

-  x1
-  x1
-  5.8 mm  $\frac{1}{16}$ " x1



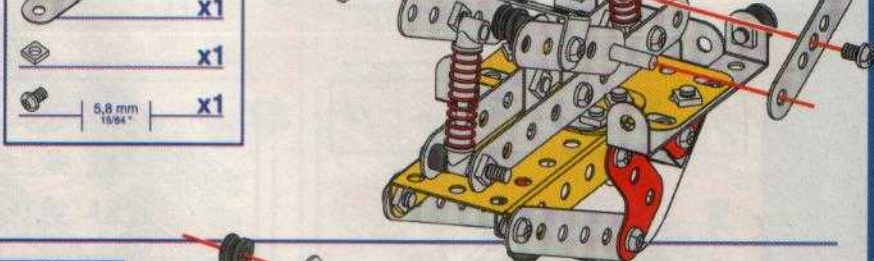
26

-  x1
-  x1
-  x1
-  5.8 mm  $\frac{1}{16}$ " x1

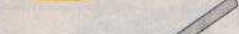
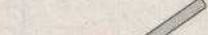



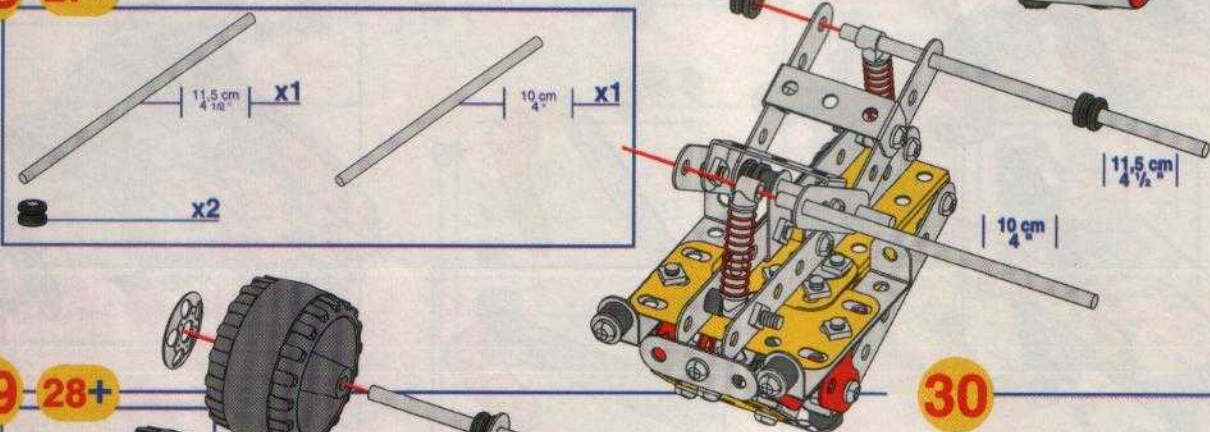
27 25+ 26+

-  x1
-  x1
-  5.8 mm  $\frac{1}{16}$ " x1



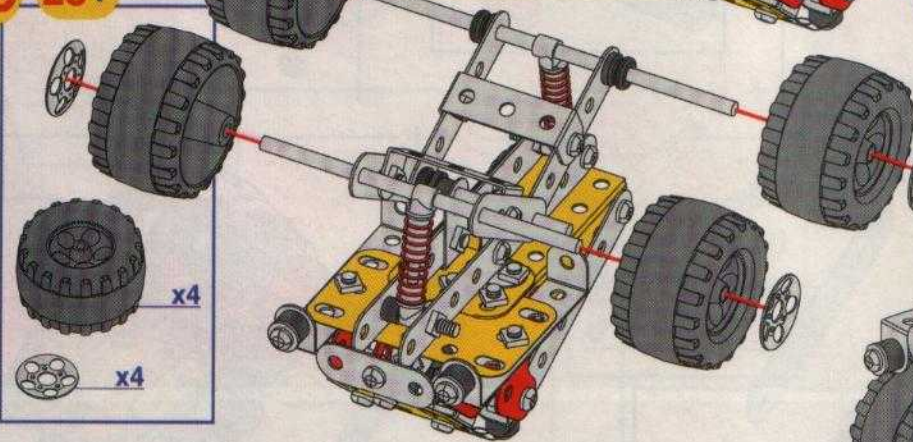
28 27+

-  11.5 cm  $4 \frac{1}{8}$ " x1
-  10 cm  $4$ " x1
-  x2

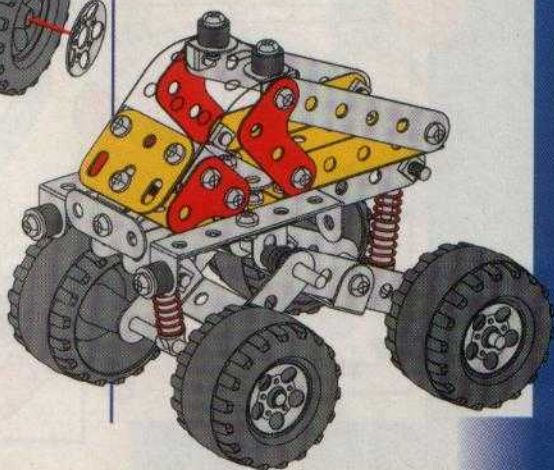


29 28+

-  x4
-  x4



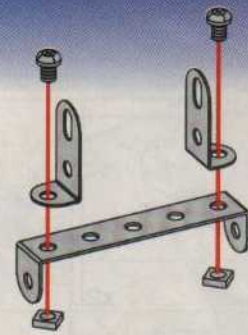
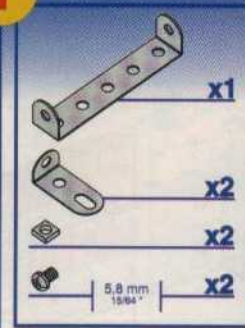
30



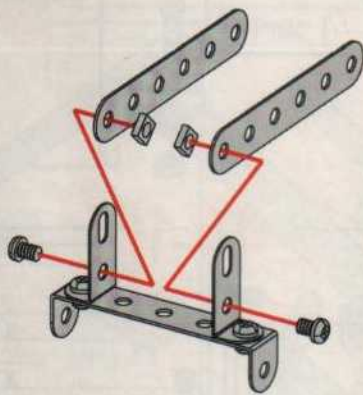




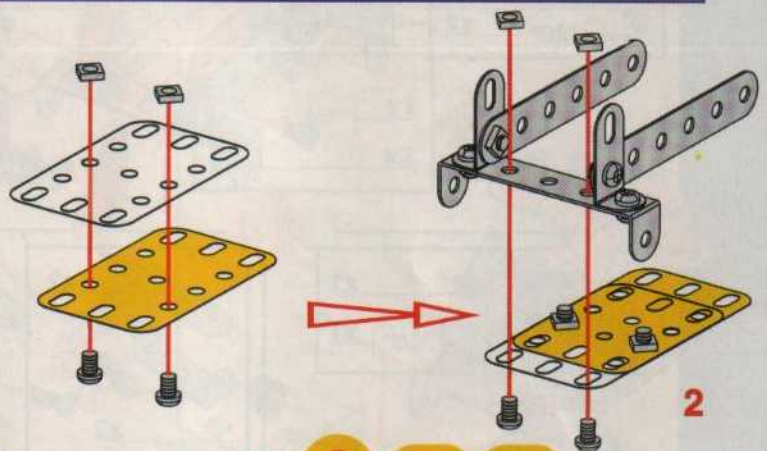
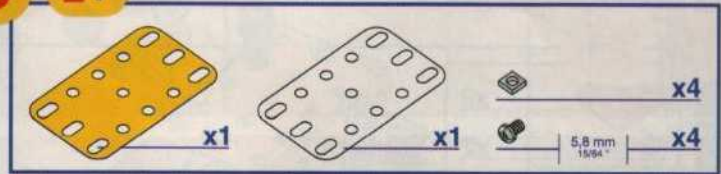
**1**



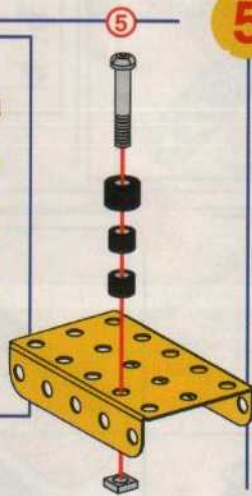
**2 1+**



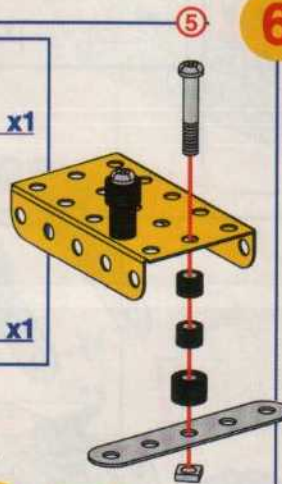
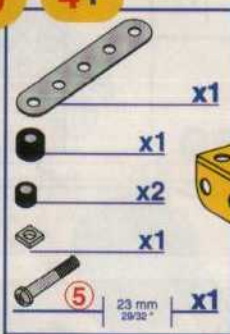
**3 2+**



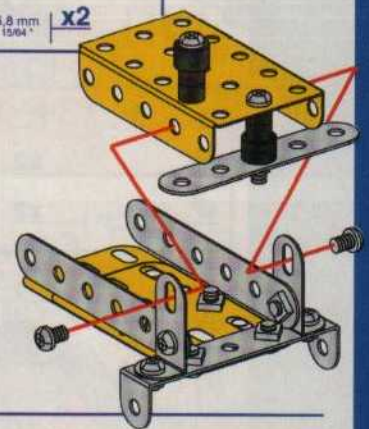
**4**



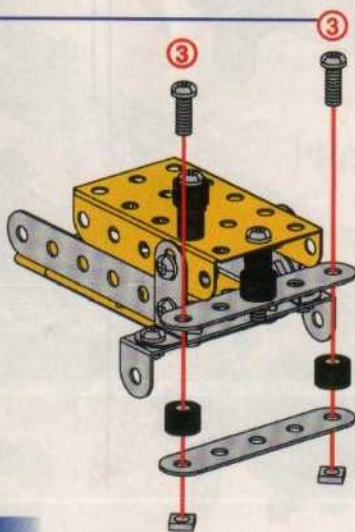
**5 4+**



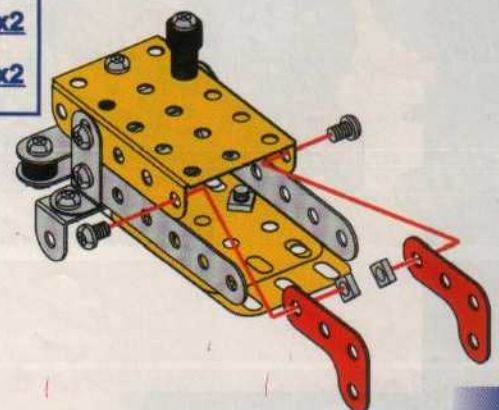
**6 3+ 5+**



**7 6+**

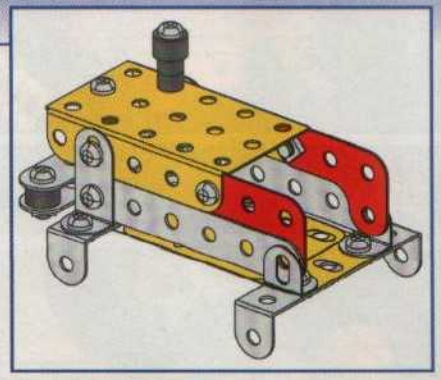
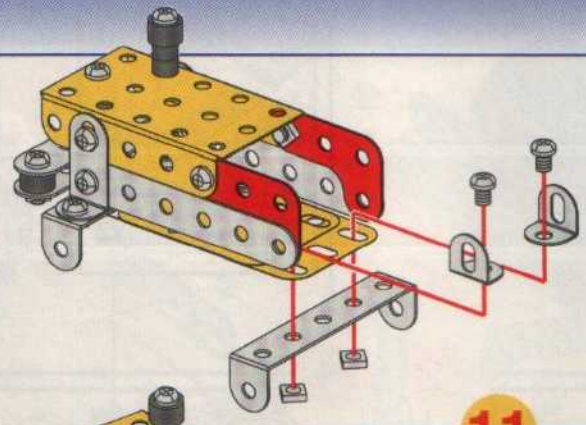


**8 7+**



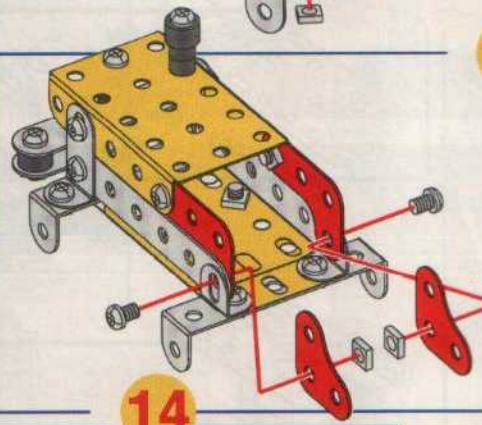
**9** 8+

- x1
- x2
- x2
- x2



**10** 9+

- x2
- x2
- x2



**11**

- x1
- x1
- x1



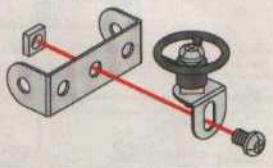
**12** 11+

- x1
- x1



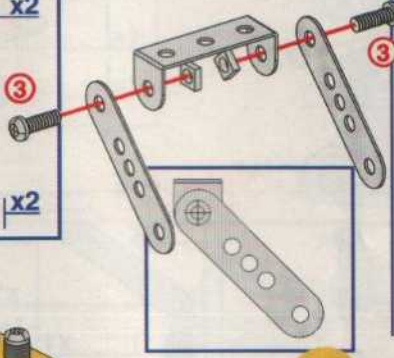
**13** 12+

- x1
- x1
- x1



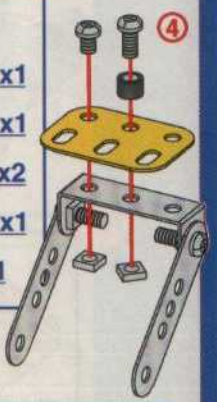
**14**

- x2
- x1
- x2



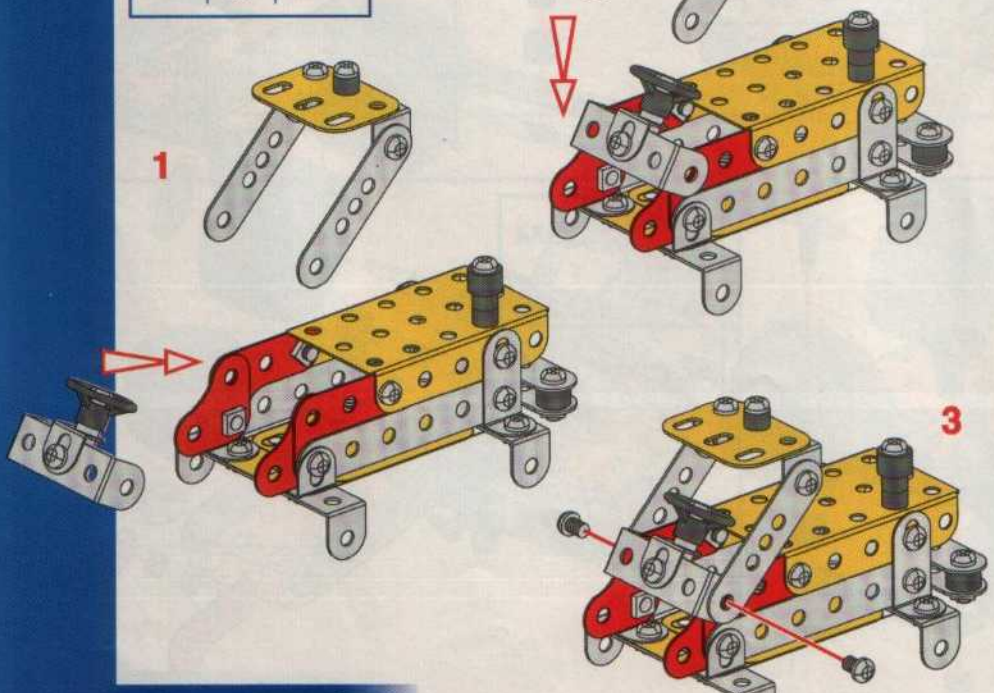
**15** 14+

- x1
- x1
- x2
- x1
- x1



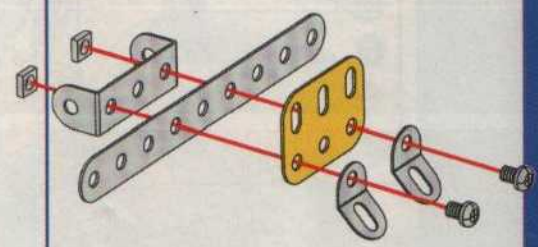
**16** 10+ 13+ 15+

- x2
- x2

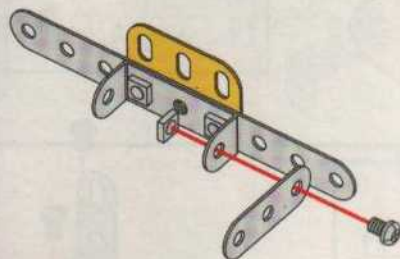
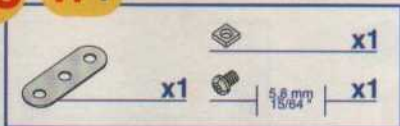


**17**

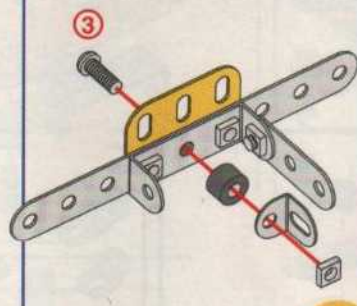
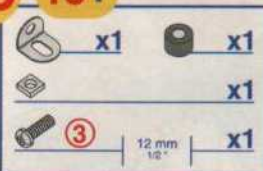
- x1
- x2
- x1
- x2
- x1
- x2



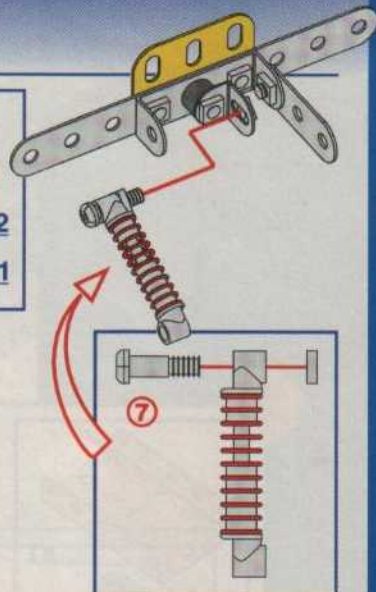
18 17+



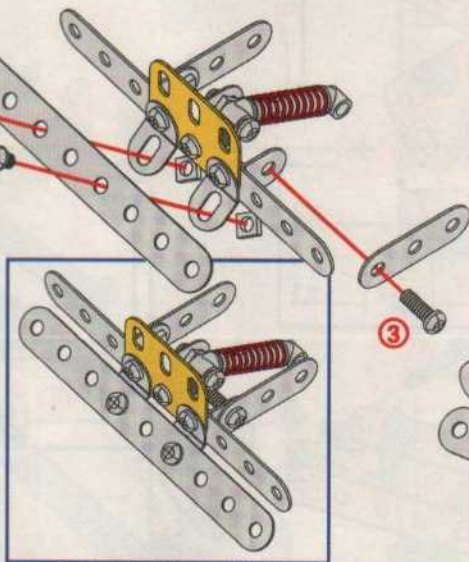
19 18+



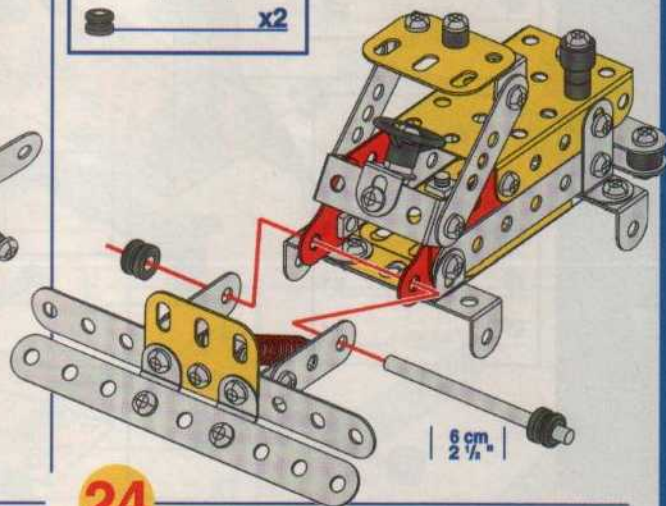
20 19+



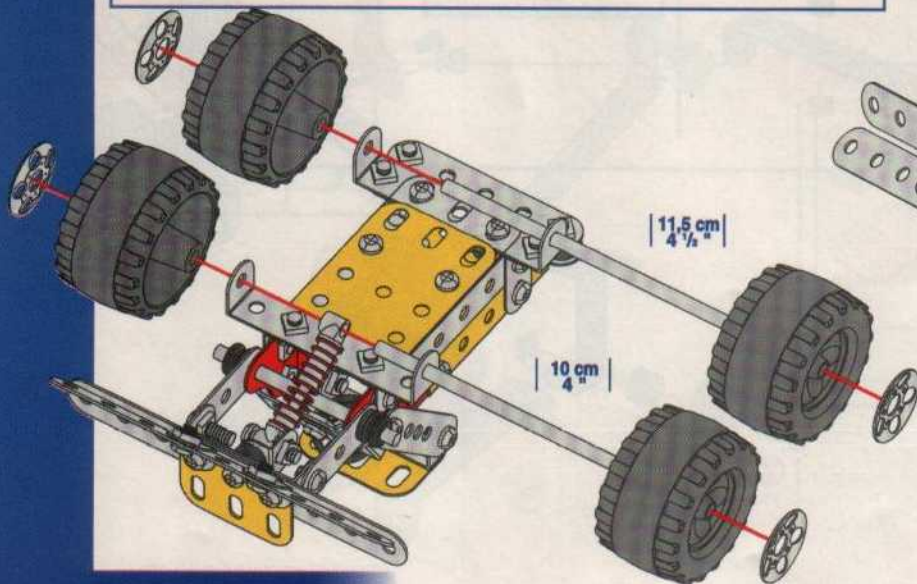
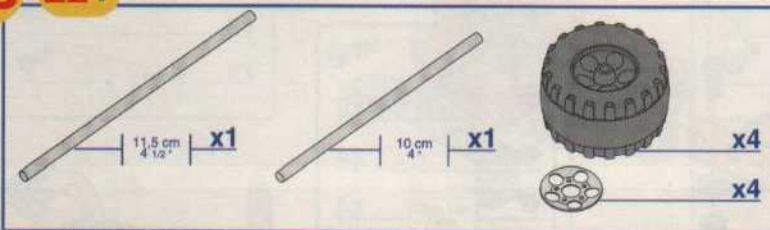
21 20+



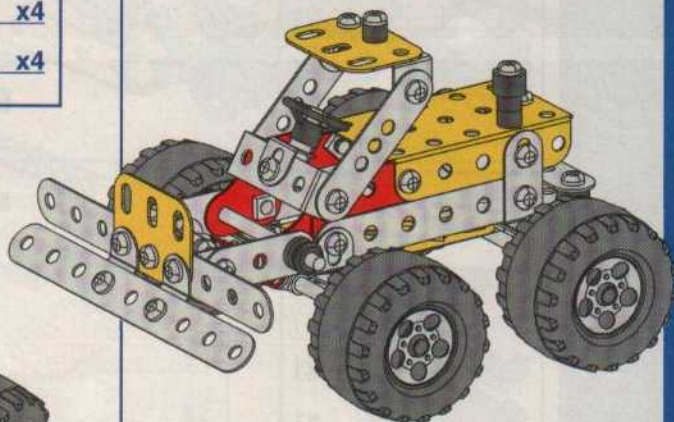
22 16+ 21+

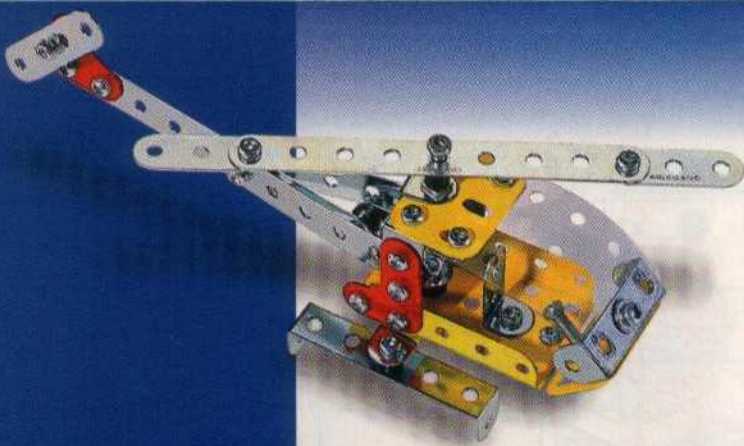


23 22+

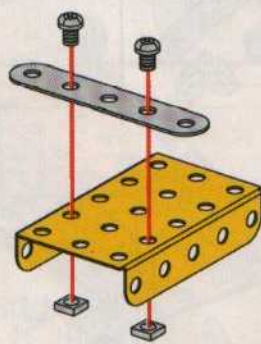
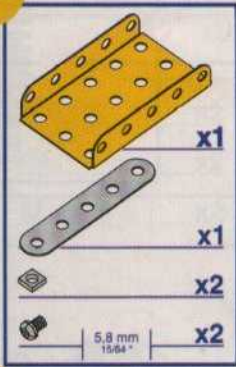


24

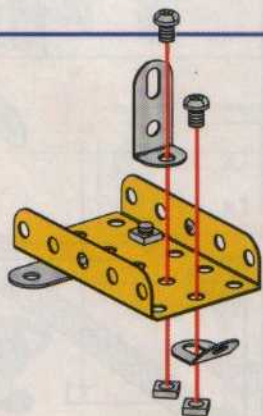




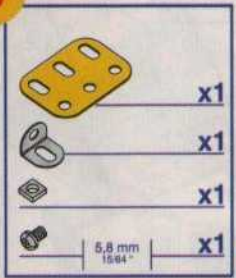
**1**



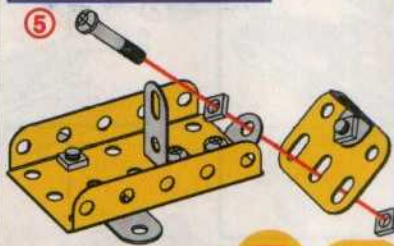
**2 1+**



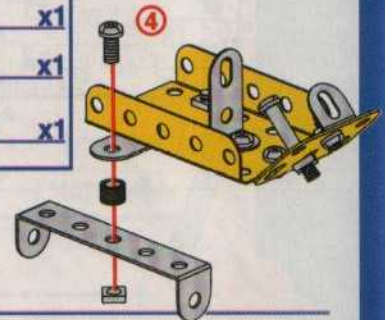
**3**



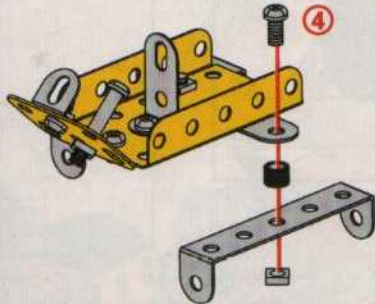
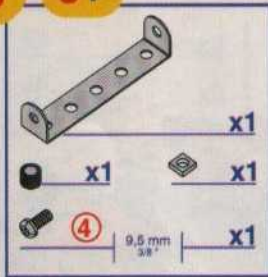
**4 2+ 3+**



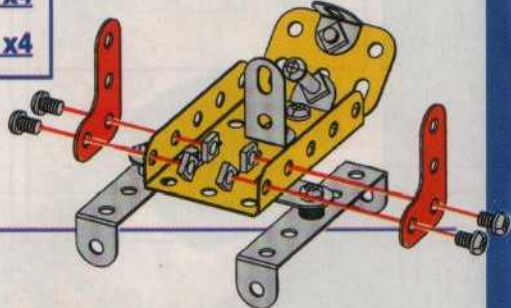
**5 4+**



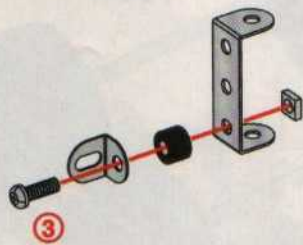
**6 5+**



**7 6+**

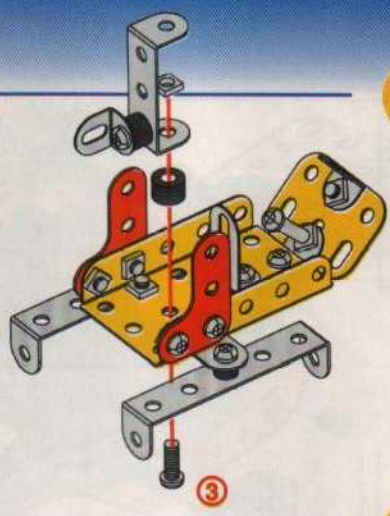


**8**

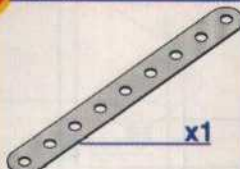





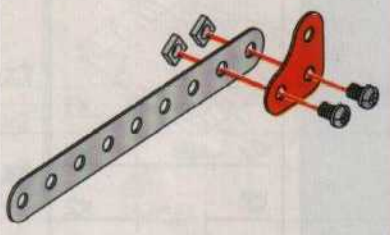
9 7+ 8+

-  x1
-  x1
-  12 mm 1/2" x1



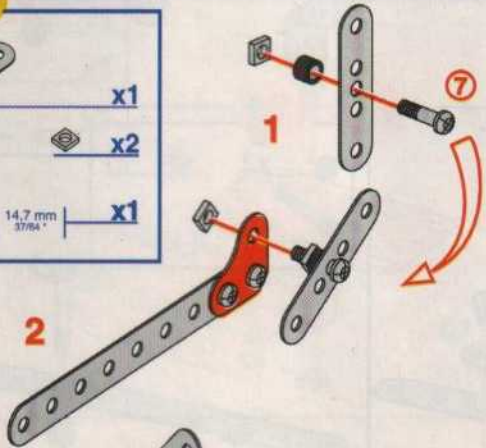
10

-  x1
-  x1
-  x2
-  5,8 mm 15/64" x2






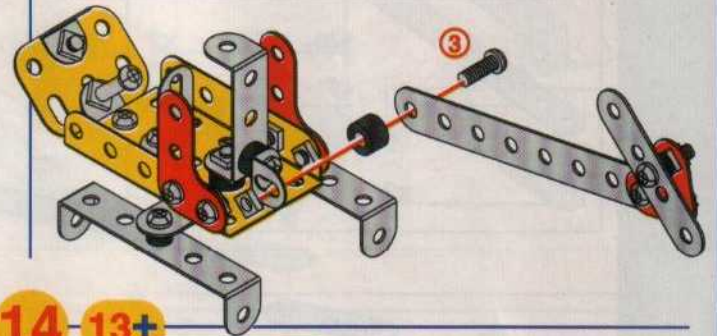
11 10+

-  x1
-  x1
-  x2
-  14,7 mm 37/64" x1



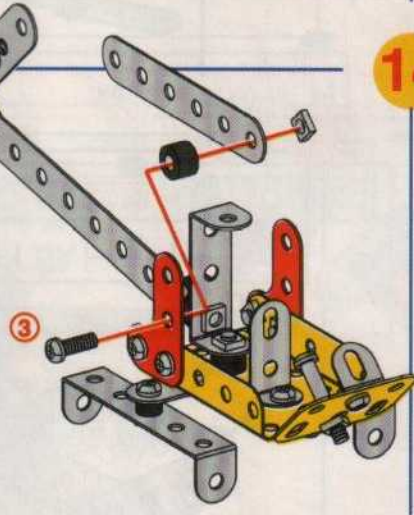
12 9+ 11+

-  x1
-  x1
-  12 mm 1/2" x1



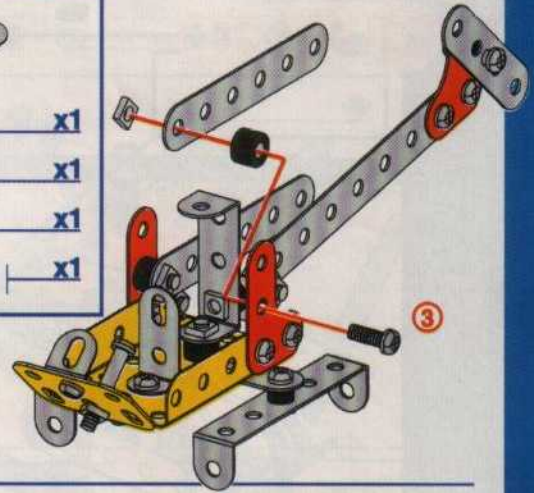
13 12+

-  x1
-  x1
-  x1
-  12 mm 1/2" x1



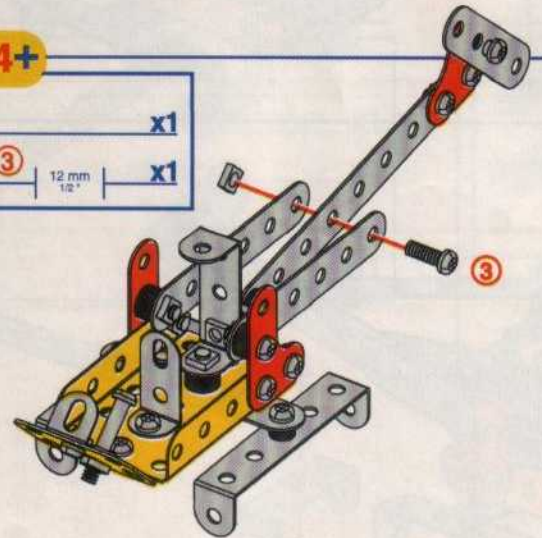
14 13+

-  x1
-  x1
-  x1
-  12 mm 1/2" x1







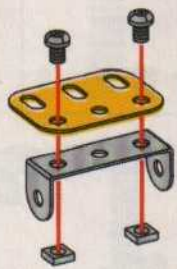
15 14+

-  x1
-  12 mm 1/2" x1

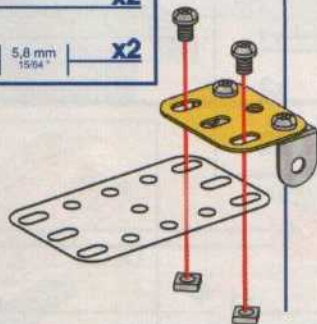


16

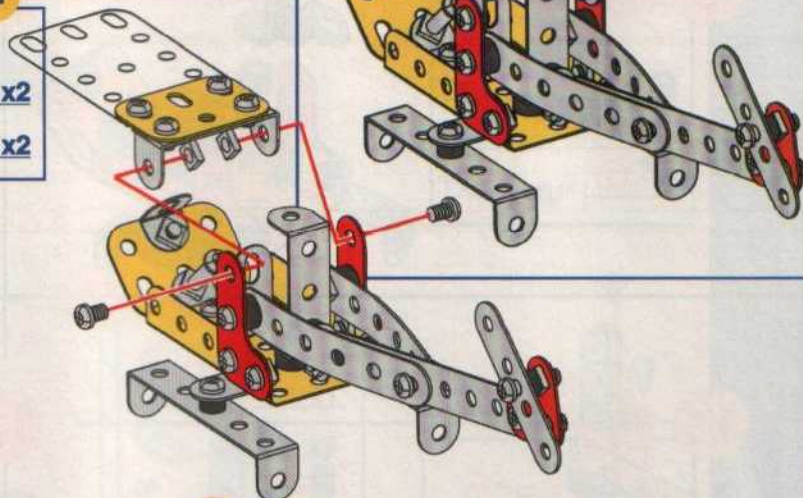
-  x1
-  x1
-  x2
-  5,8 mm 15/64" x2



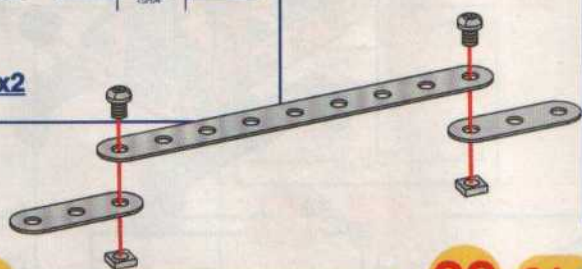
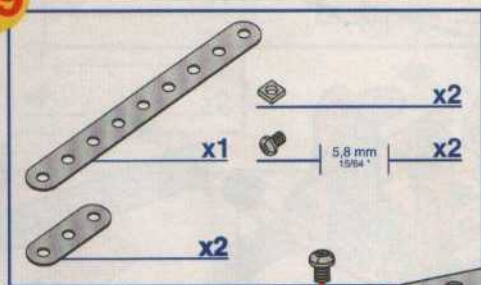
17 16+



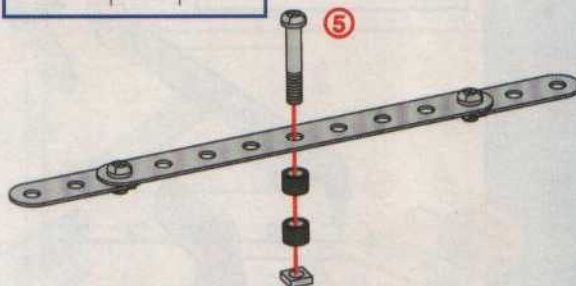
18 15+ 17+



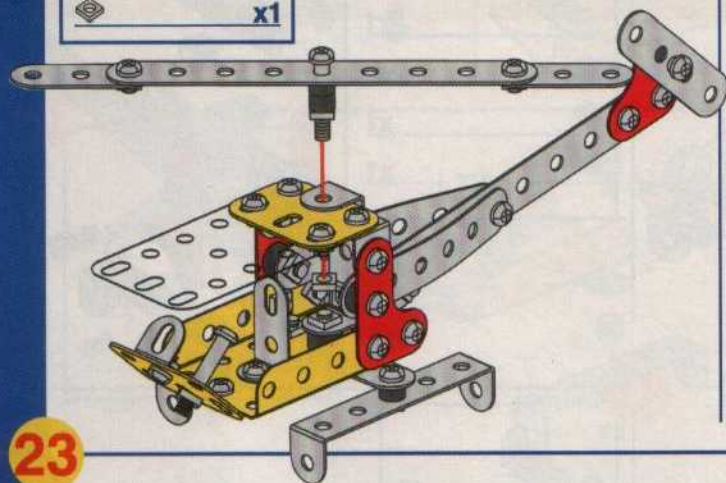
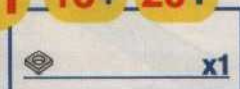
19



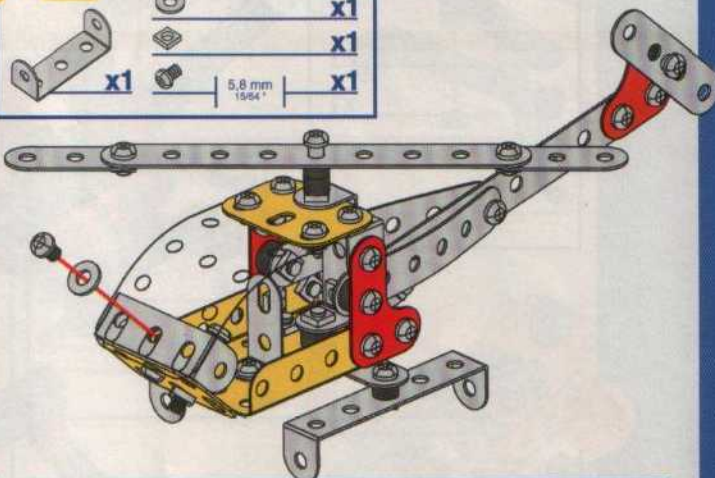
20 19+



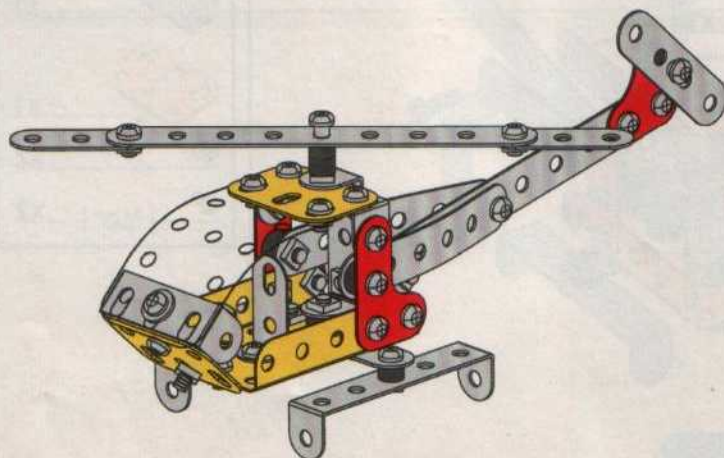
21 18+ 20+

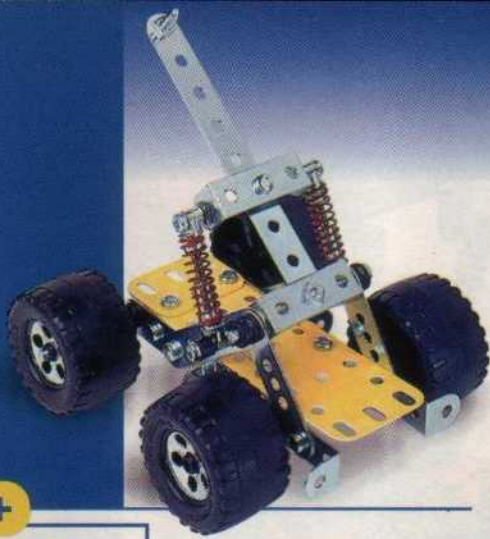


22 21+

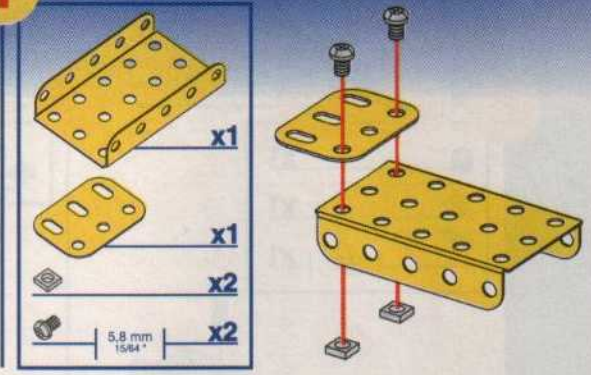


23





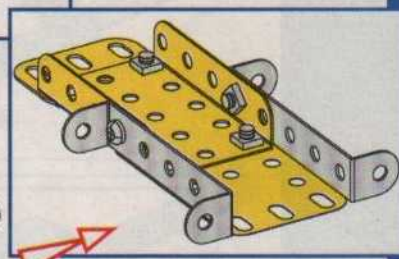
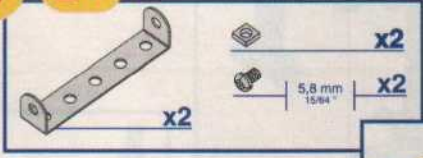
**1**



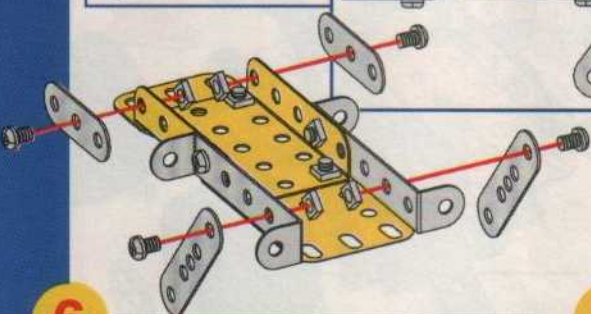
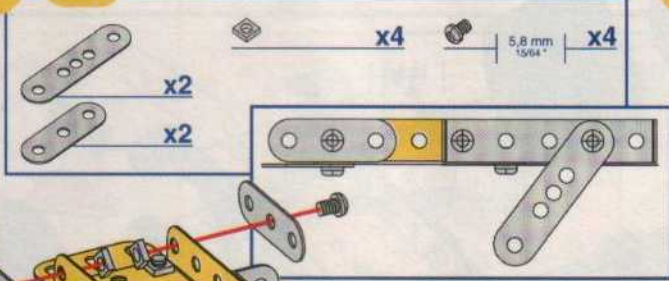
**2 1+**



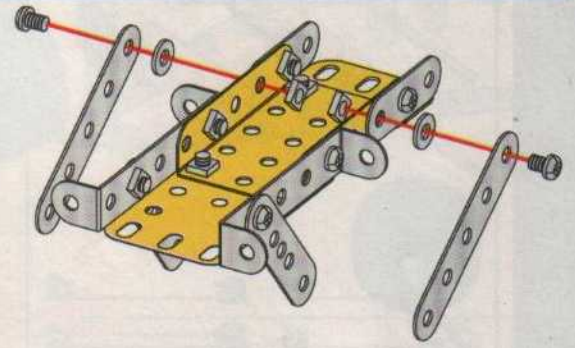
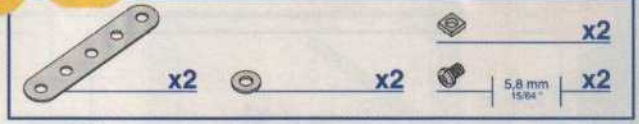
**3 2+**



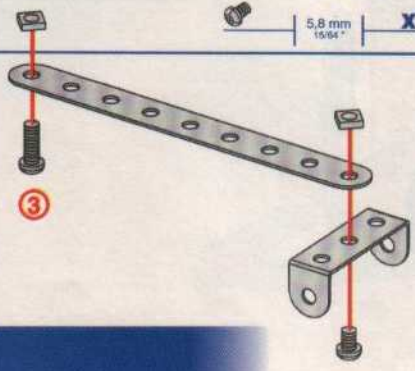
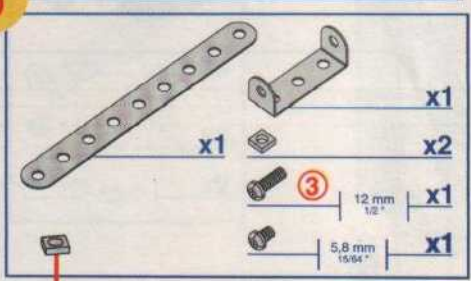
**4 3+**



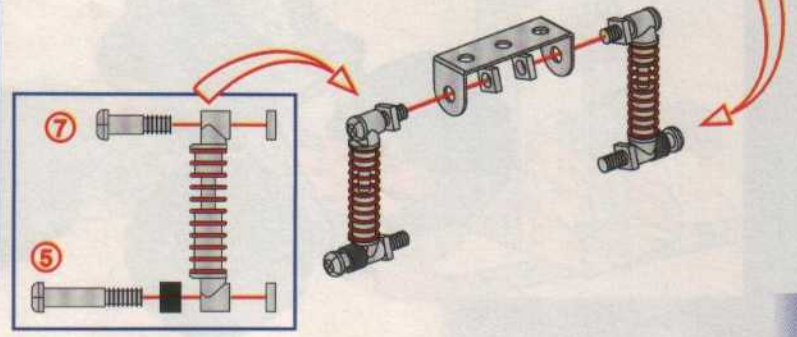
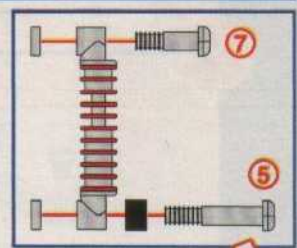
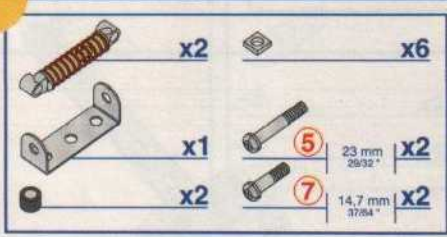
**5 4+**



**6**

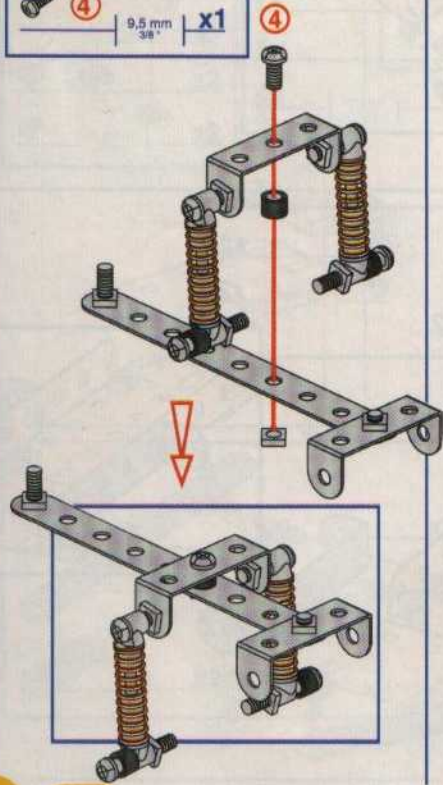


**7**



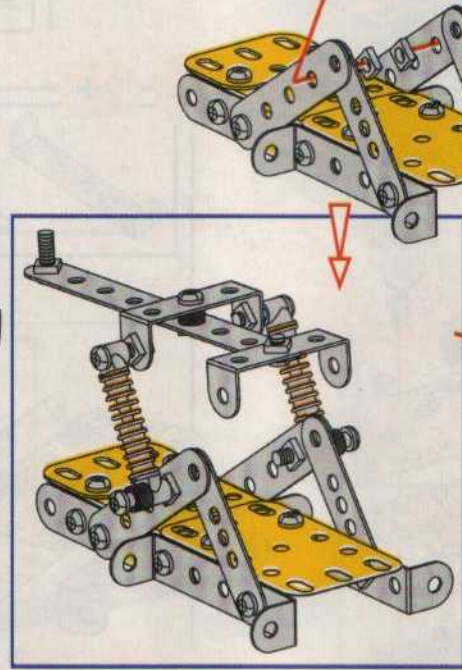
8 6+ 7+

- x1
- x1
- 9,5 mm  $\frac{3}{8}$ " x1



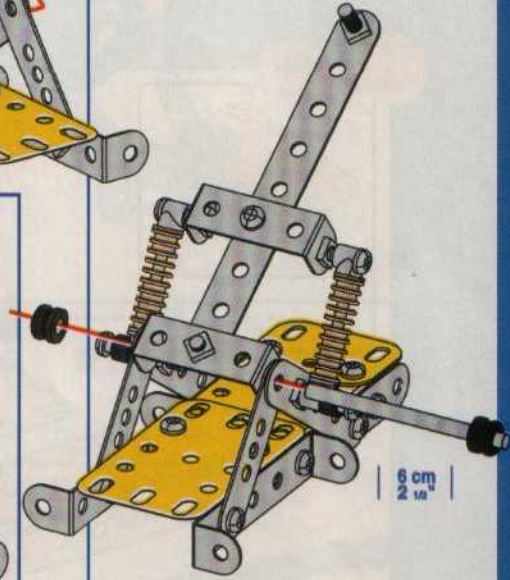
9 5+ 8+

- x2



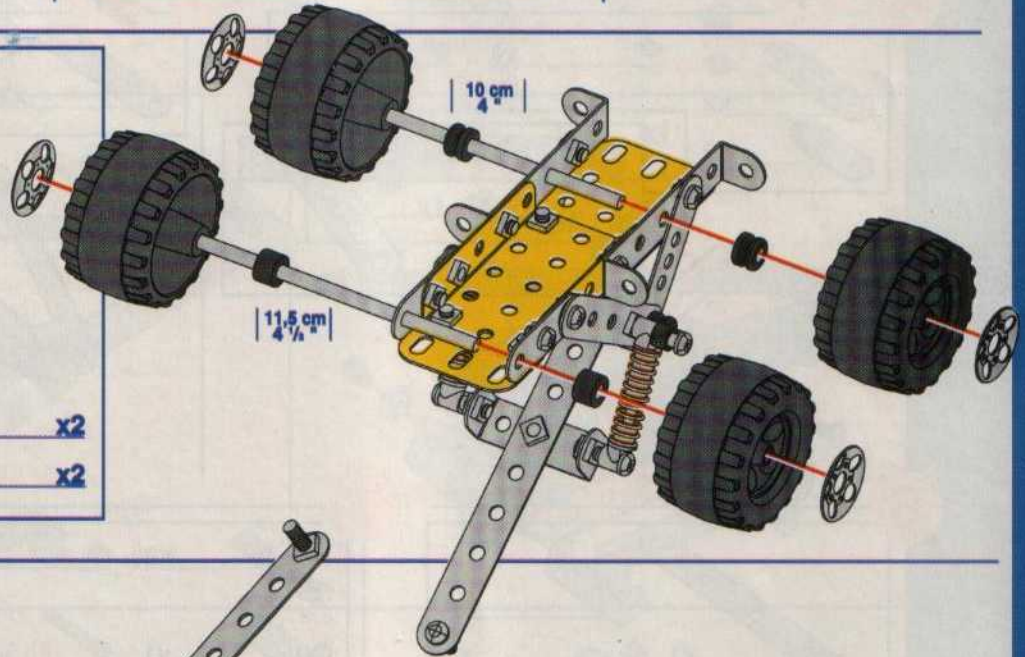
10 9+

- 8 cm  $\frac{1}{4}$ " x1
- x2

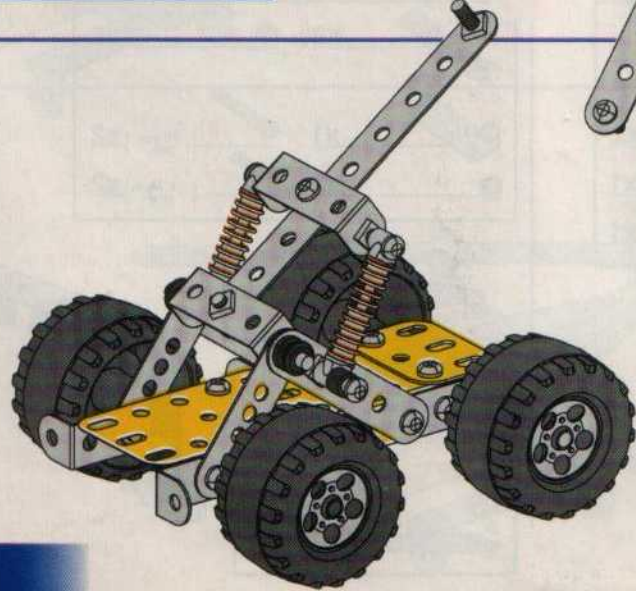


11 10+

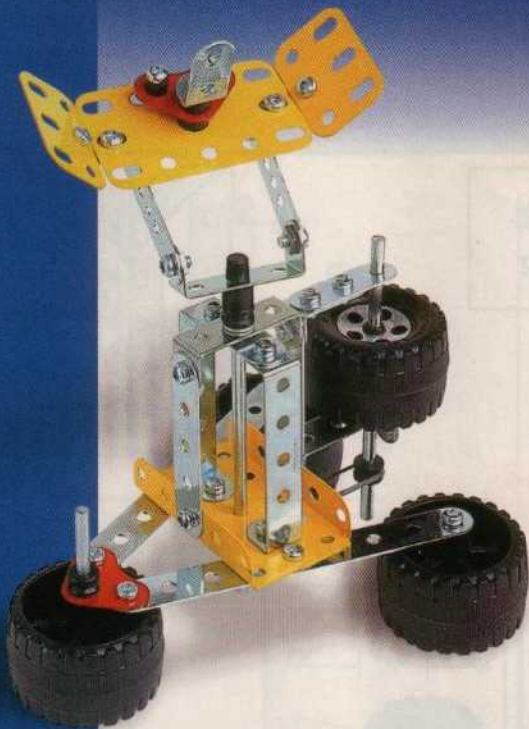
- 11,5 cm  $\frac{1}{2}$ " x1
- 10 cm  $\frac{3}{4}$ " x1
- x4
- x2
- 11,5 cm  $\frac{1}{2}$ " x4
- x2



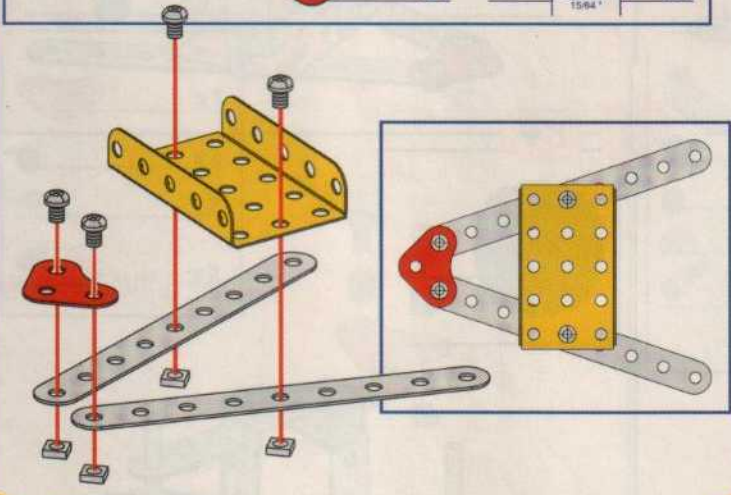
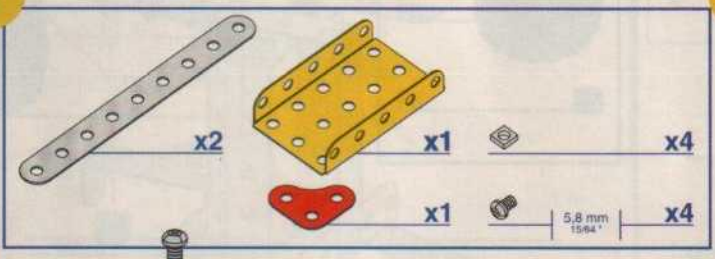
12



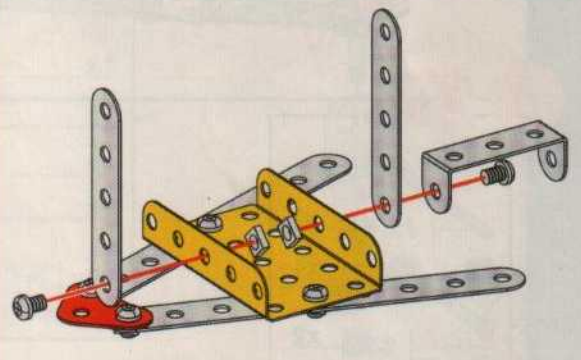
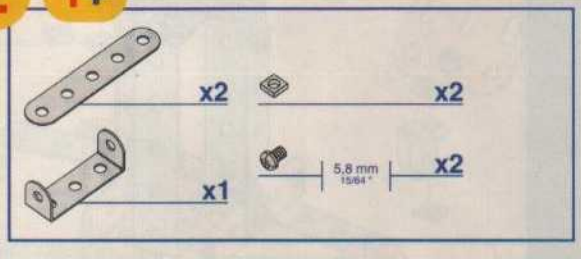




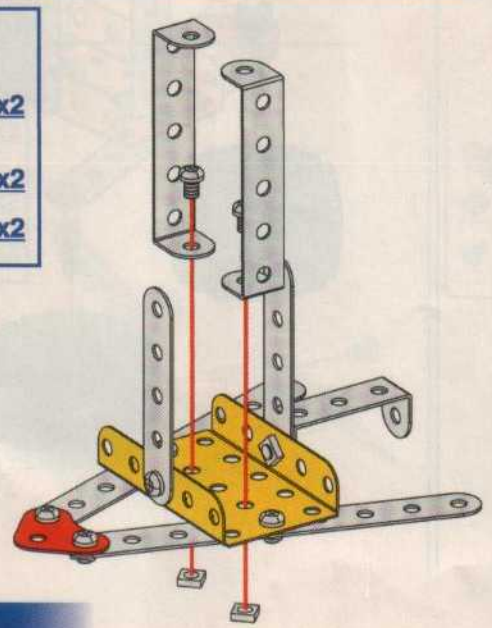
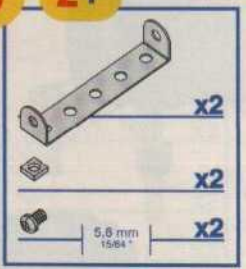
**1**



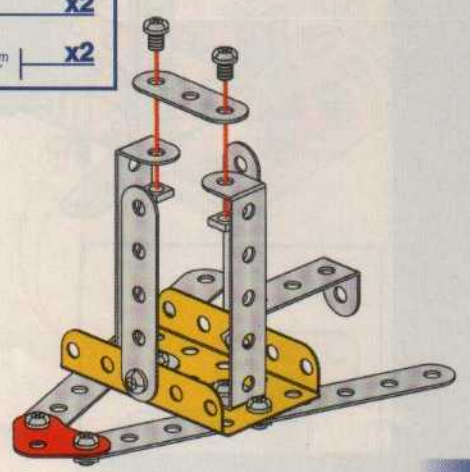
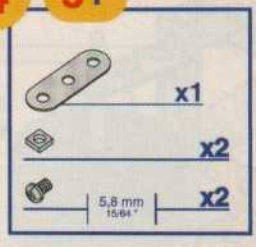
**2 1+**



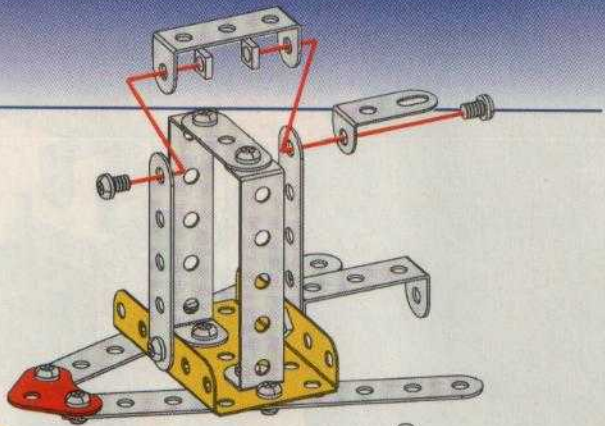
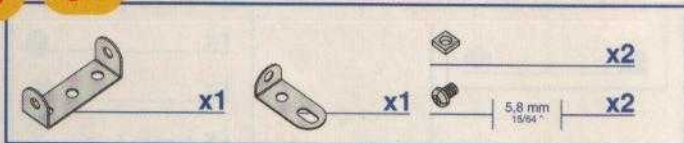
**3 2+**



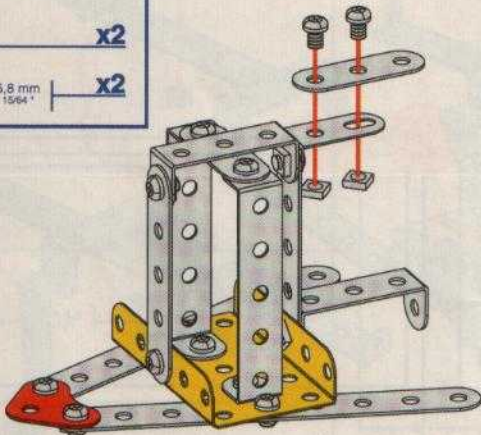
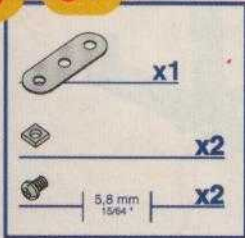
**4 3+**



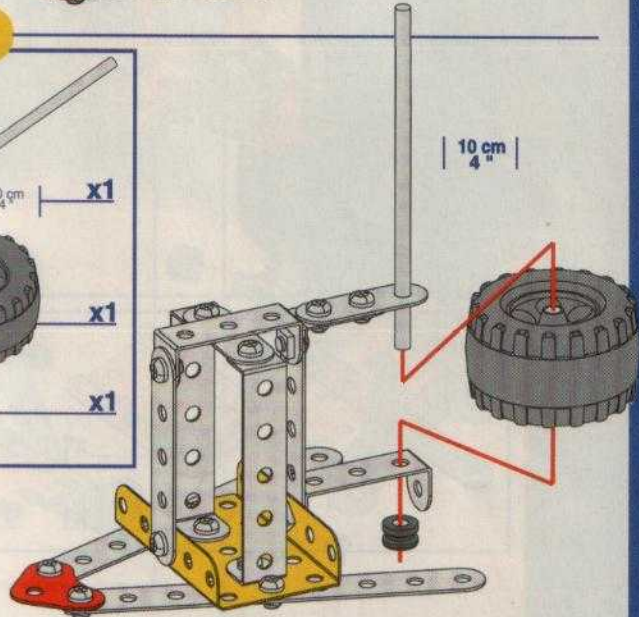
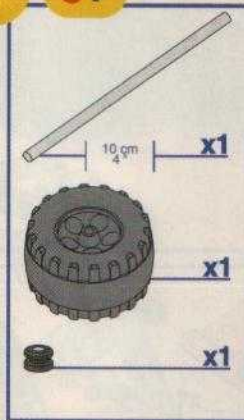
5 4+



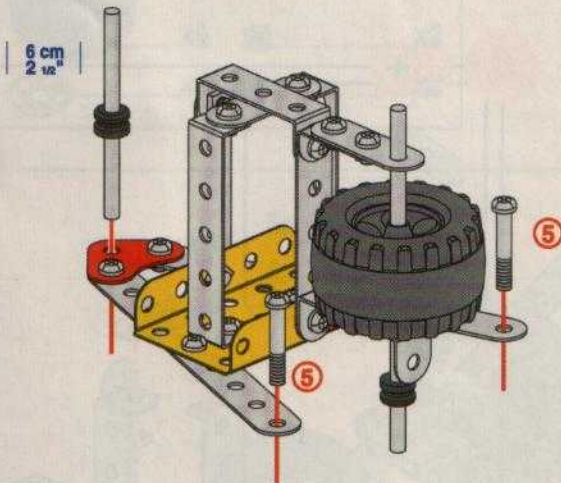
6 5+



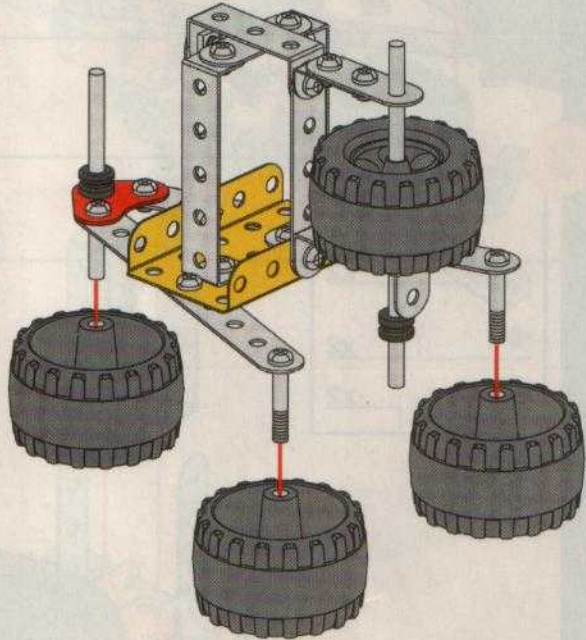
7 6+



8 7+

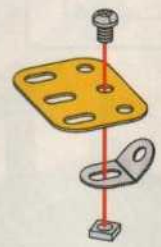


9 8+



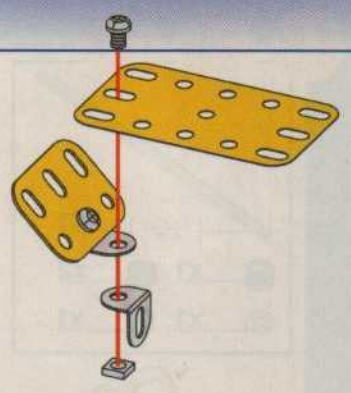
10

-  x1
-  x1
-  x1
-  x1
-  x1



11 10+

-  x1
-  x1
-  x1
-  x1



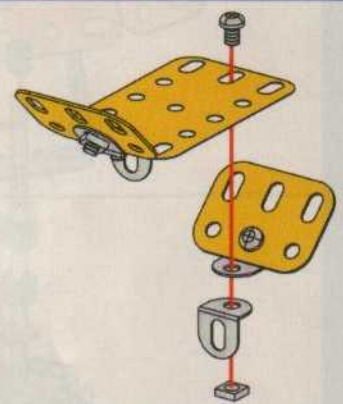
12

-  x1
-  x1
-  x1
-  x1







13 11+ 12+

-  x1
-  x1
-  x1



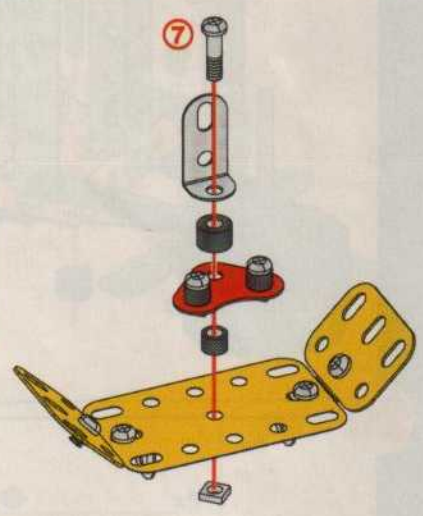
14

-  x1
-  x2
-  x2
-  x2



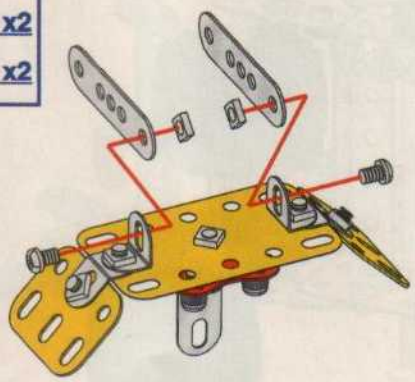
15 13+ 14+

-  x1
-  x1
-  x1
-  x1
-  x1



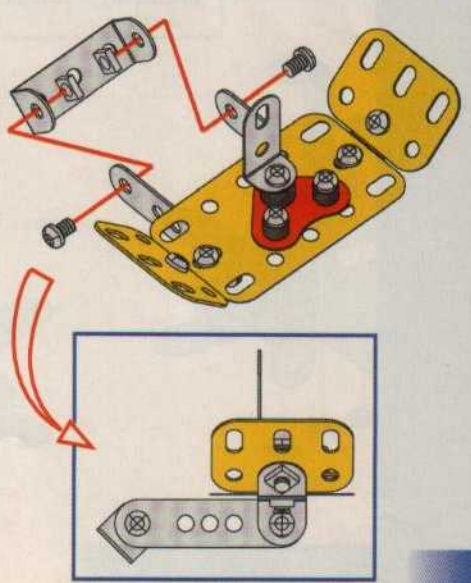
16 15+

-  x2
-  x2
-  x2

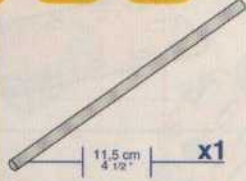





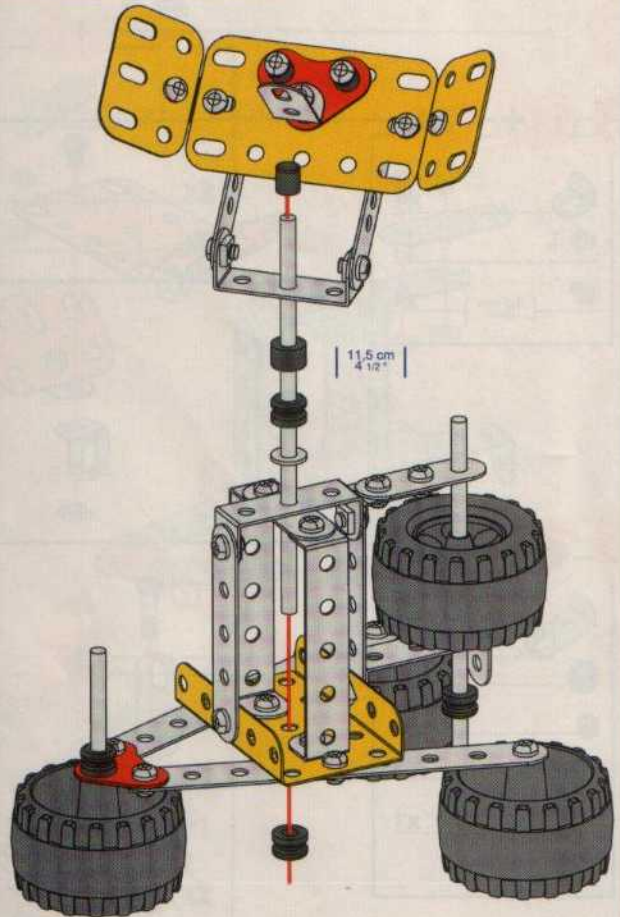
17 16+

-  x1
-  x2
-  x2




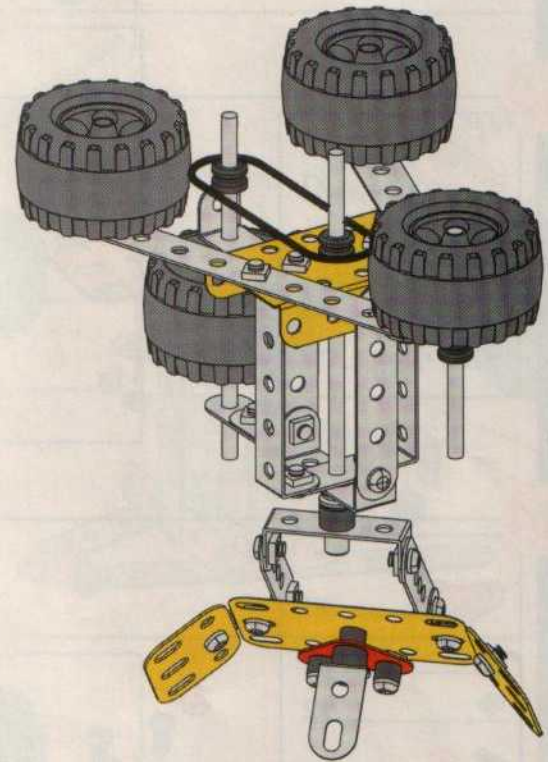
18 9+ 17+

-  11,5 cm  
4 1/2" x1
-  x1
-  x2
-  x1
-  x1

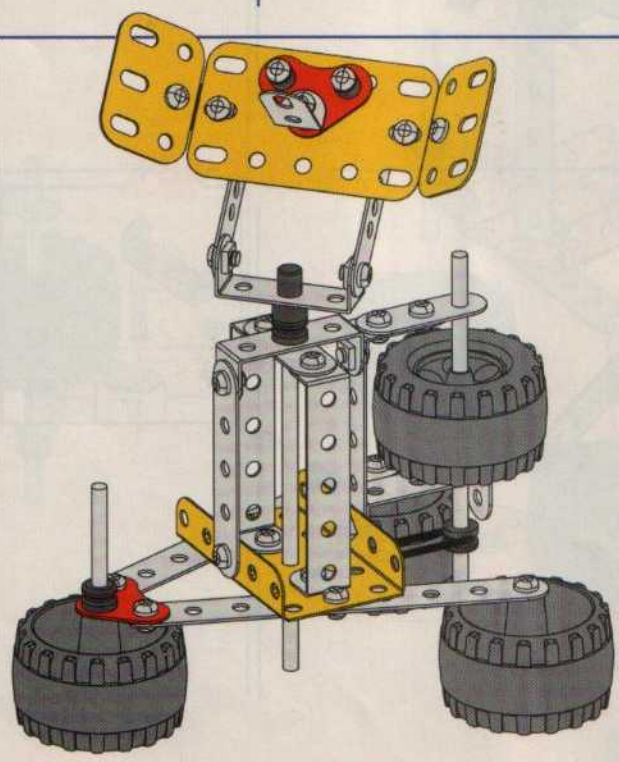


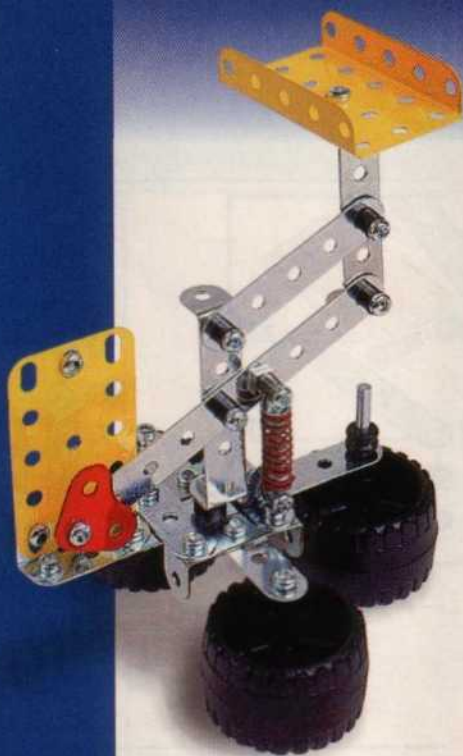
19 18+

-  x1

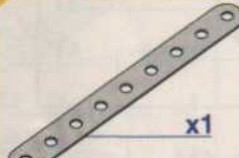
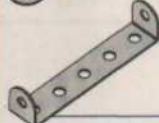






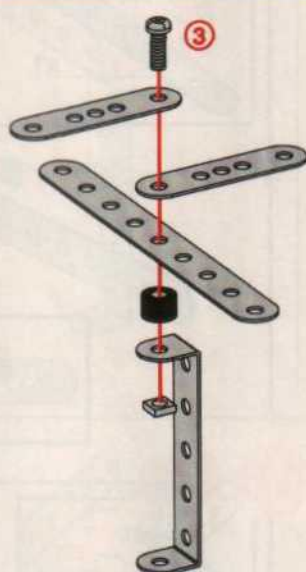
20



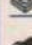
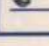


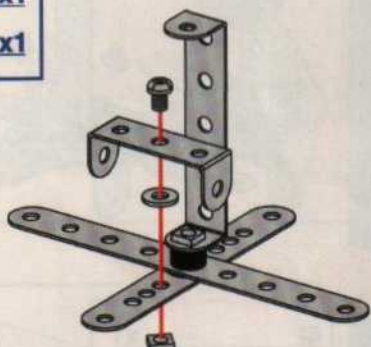
1

-  x1
-  x1
-  x2
-  x1
-  x1
-  x1



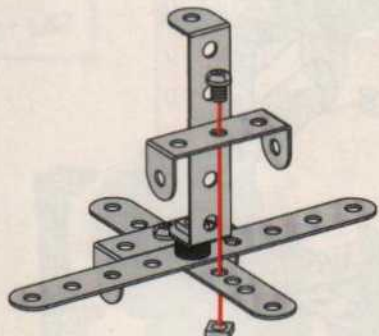
2 1+

-  x1
-  x1
-  x1
-  x1



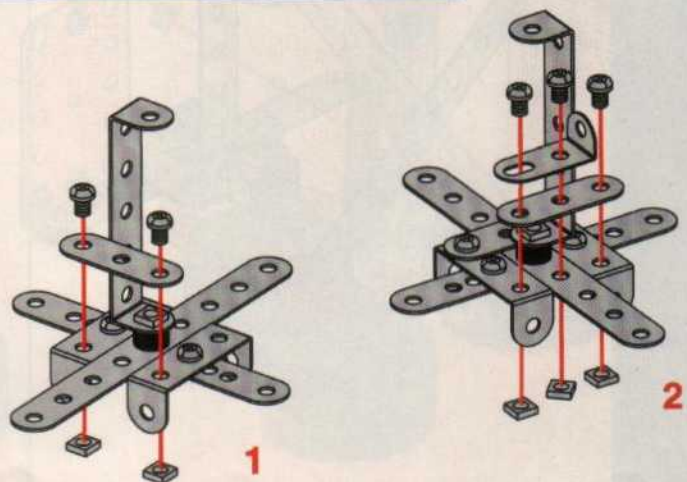
3 2+

-  x1
-  x1
-  x1



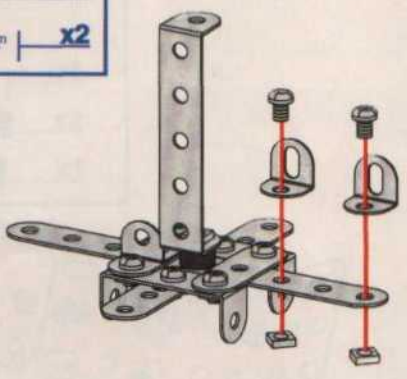
4 3+

-  x1
-  x2
-  x5
-  x5


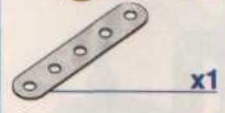
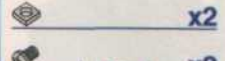
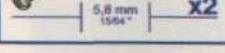


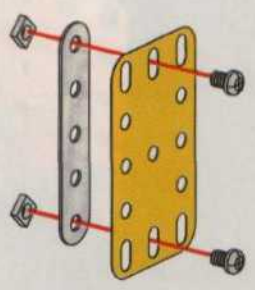
5 4+

-  x2
-  x2
-  5,8 mm 1564° x2




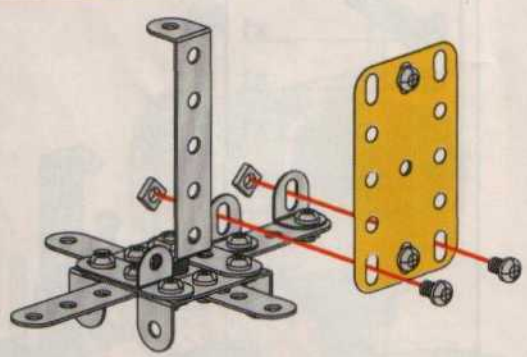
6

-  x1
-  x1
-  x2
-  5,8 mm 1564° x2

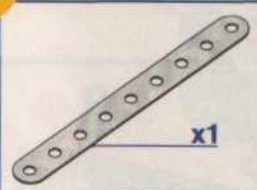


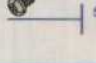


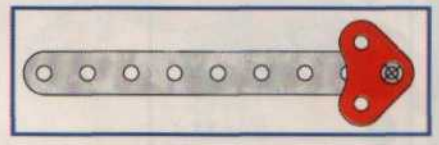
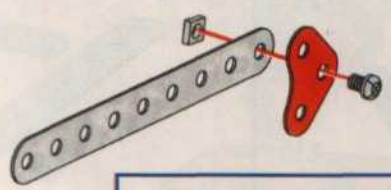
7 5+ 6+

-  x2
-  5,8 mm 1564° x2



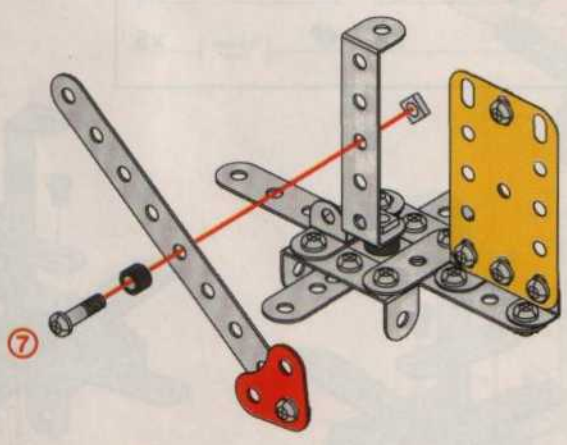
8

-  x1
-  x1
-  x1
-  5,8 mm 1564° x1



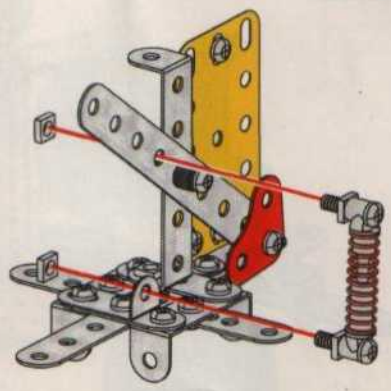
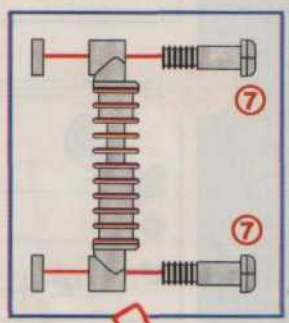
9 7+ 8+

-  x1
-  x1
-  ⑦ 14,7 mm 3784° x1



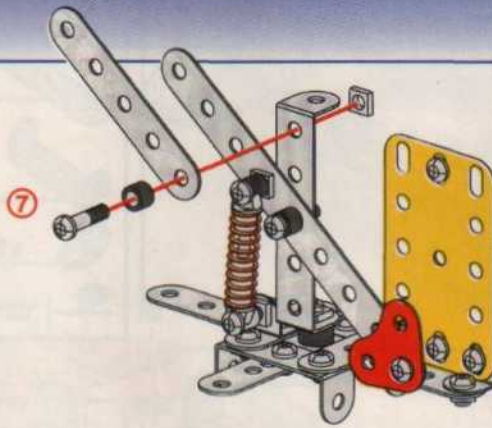
10 9+

-  x1
-  x4
-  ⑦ 14,7 mm 3784° x2



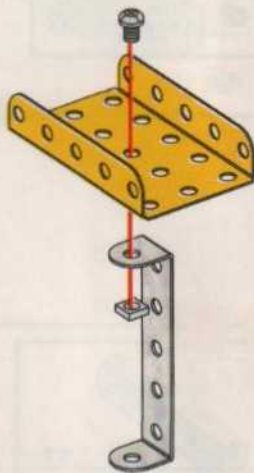
**11 10+**

	x1
	x1
	x1
	x1



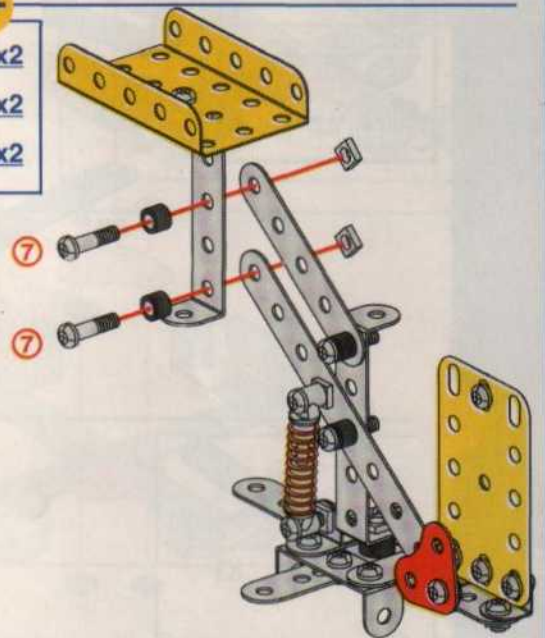
**12**

	x1
	x1
	x1
	x1



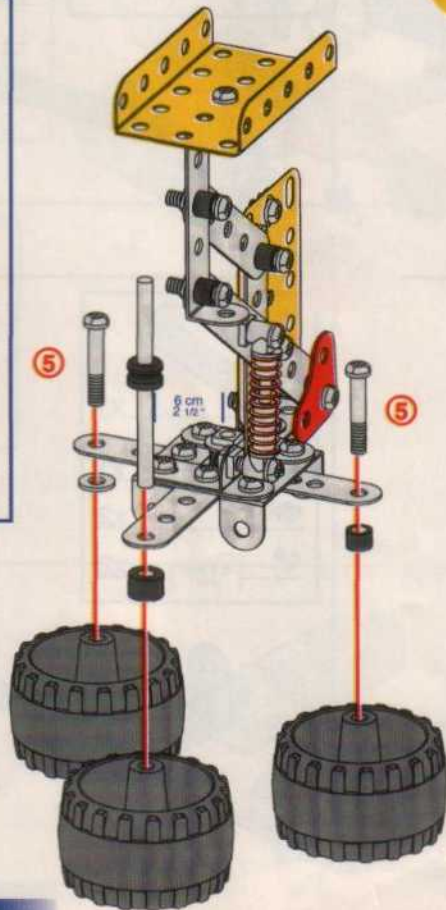
**13 11+ 12+**

	x2
	x2
	x2

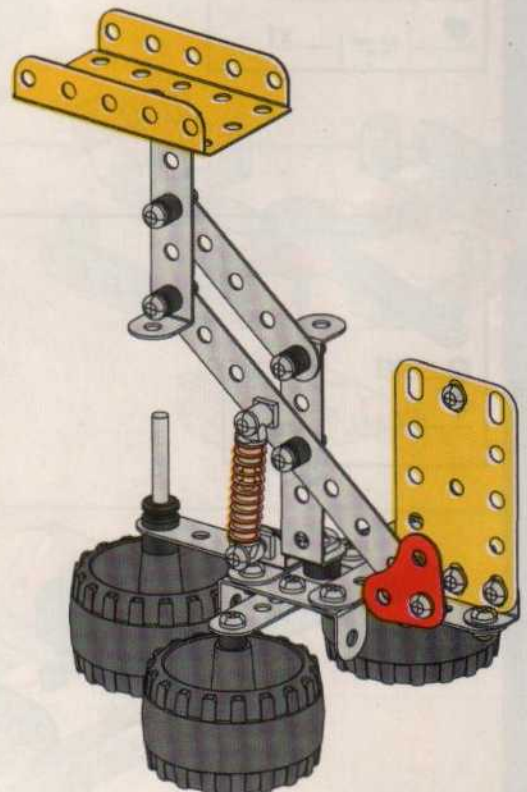


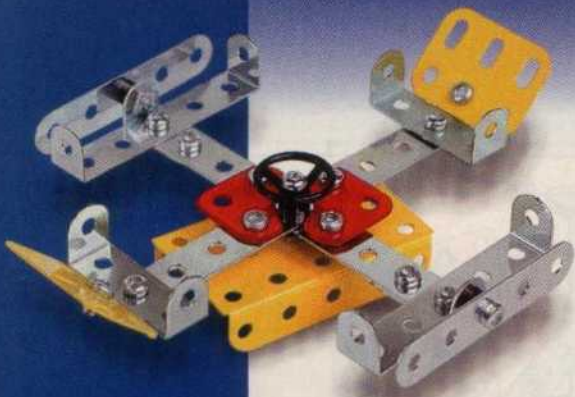
**14 13+**

	x3
	x1
	x1
	x1
	x1
	x1
	x2

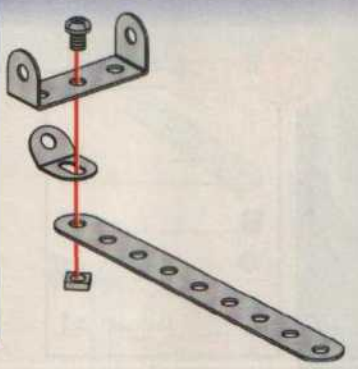
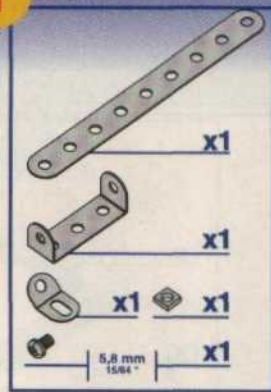


**15**

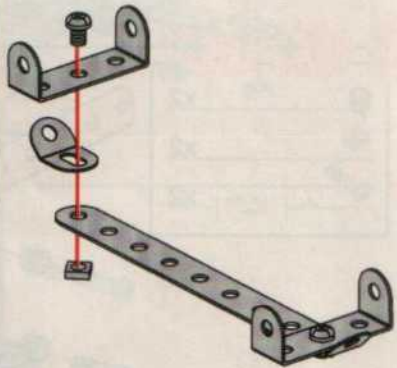
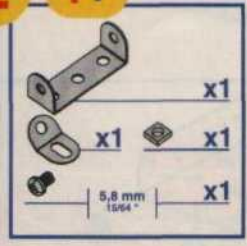




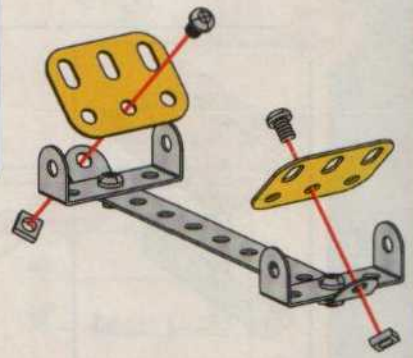
1



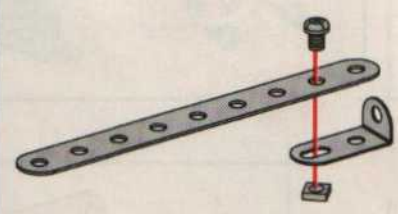
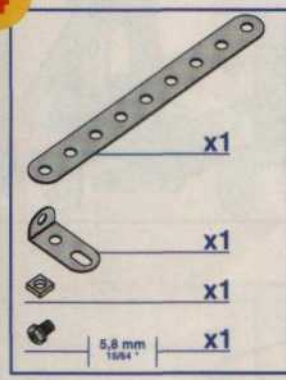
2 1+



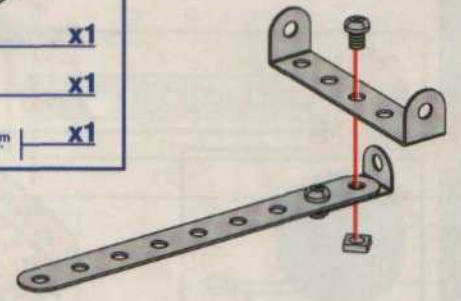
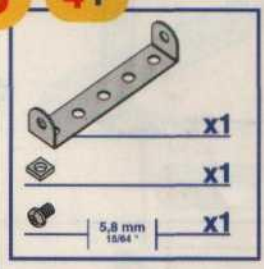
3 2+



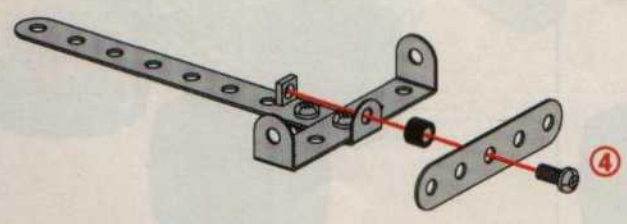
4



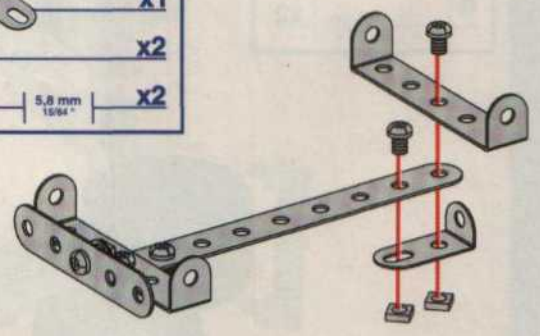
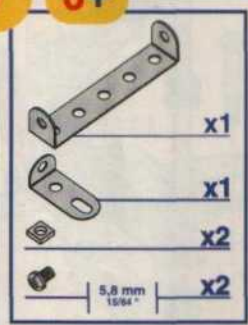
5 4+



6 5+



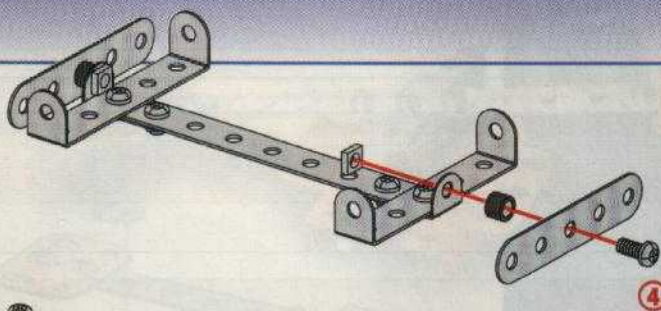
7 6+





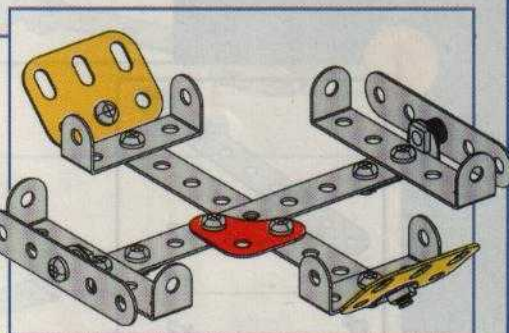
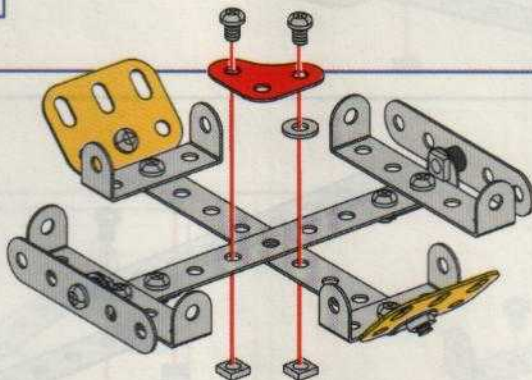
8 7+

	x1
	x1
	x1
	x1



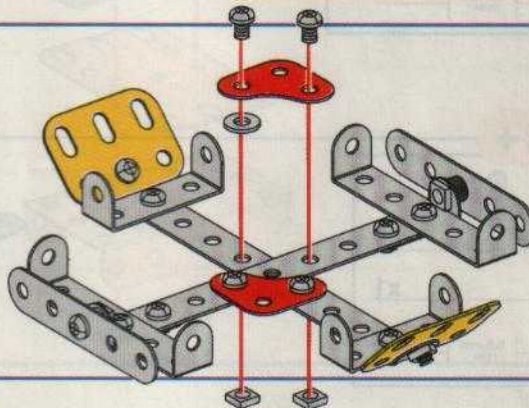
9 3+ 8+

	x1
	x1
	x2
	x2



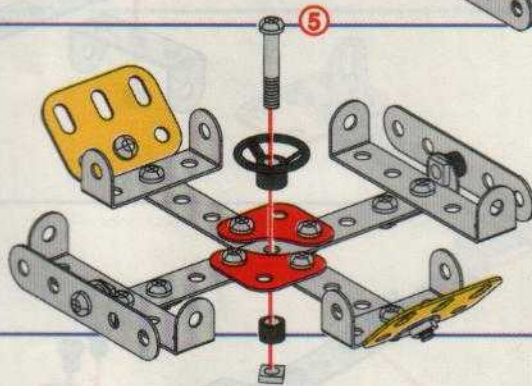
10 9+

	x1
	x1
	x2
	x2



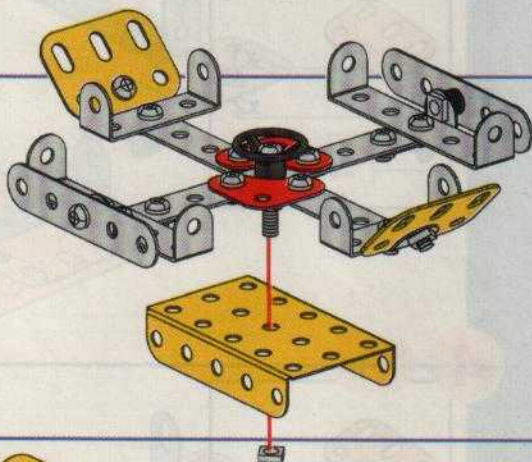
11 10+

	x1
	x1
	x1
	x1

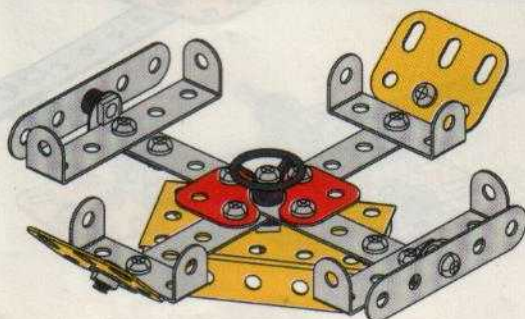


12 11+

	x1
	x1

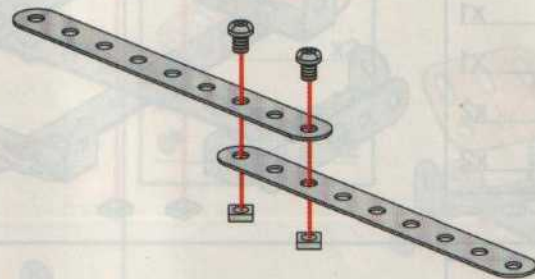
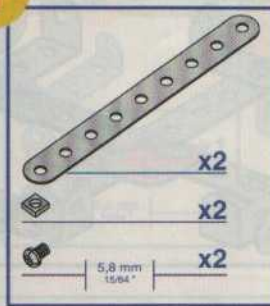


13

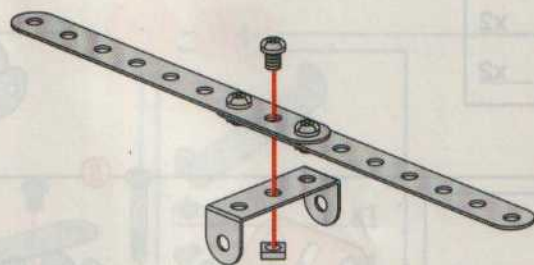




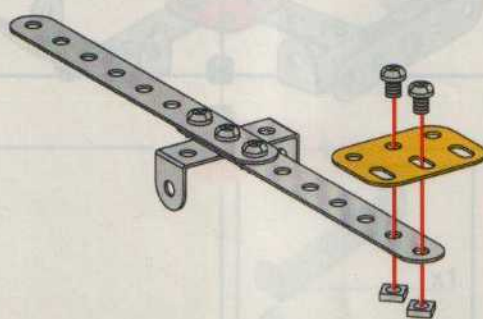
**1**



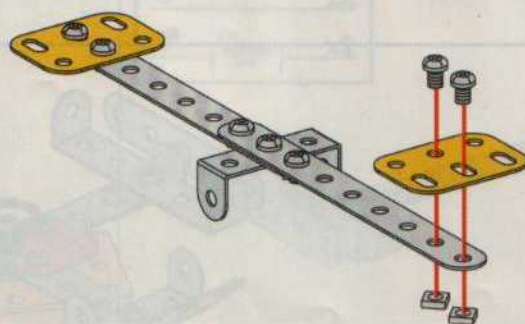
**2 1+**



**3 2+**

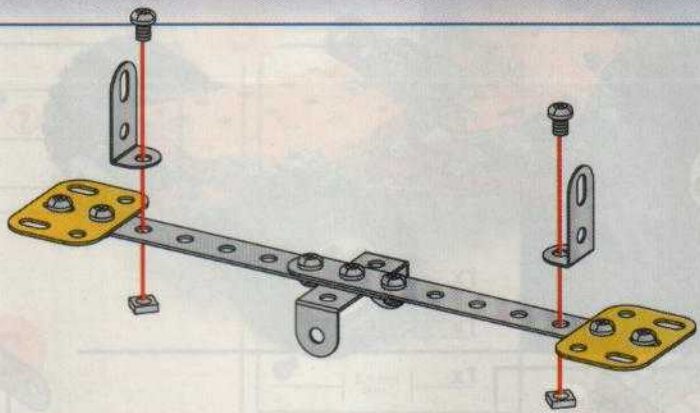


**4 3+**



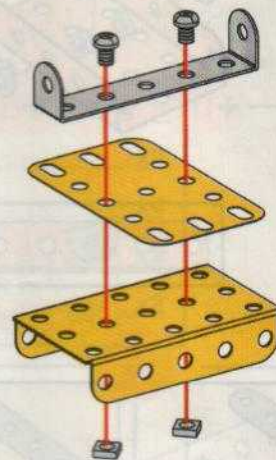
5 4+

	x2
	x2
	x2
5,8 mm 1/4"	



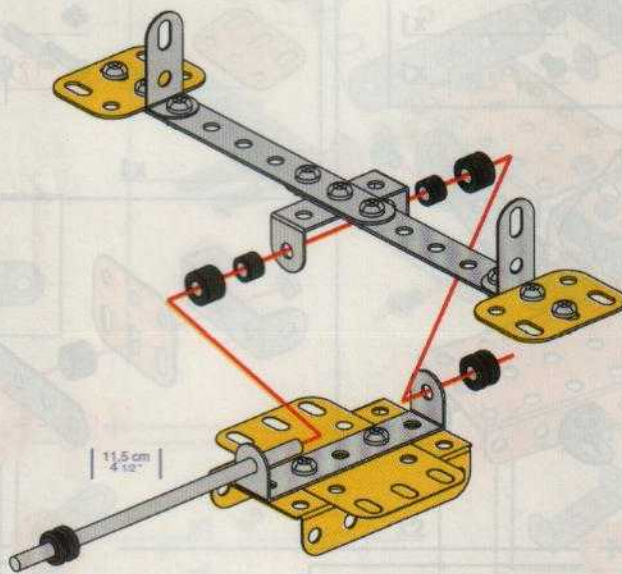
6

	x1		x1
	x1		x2
			x2
5,8 mm 1/4"			

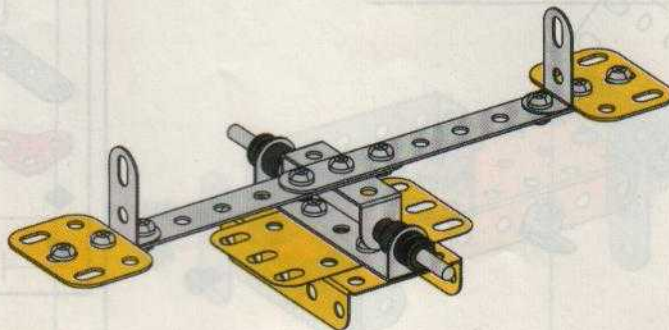


7 5+ 6+

	x1		
	x2		x2
			x2
11,5 cm 4 1/2"			



8





**1**

	x1
	x2
	x2
	x2

**2 1+**

	x1
	x1
	x2
	x1
	x1

**3 2+**

	x1
	x1
	x1

**4**

	x1
	x1
	x1
	x1
	x1

**5 4+**

	x2
	x4
	x2

**6 3+ 5+**

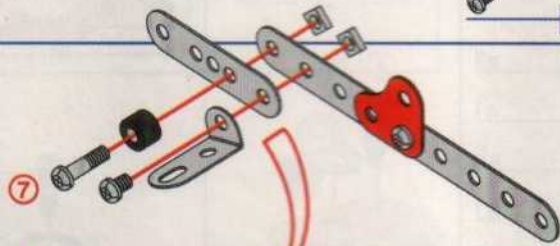
	x1
	x1

**7**

	x1
	x1
	x1
	x1

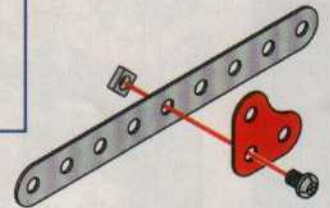
8 7+

	x1		x1		x2		x1		x1
	x1		x1		x1		x1		x1
	x1		x1		x1		x1		x1
	x1		x1		x1		x1		x1



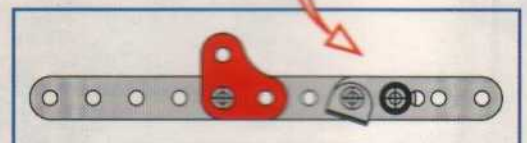
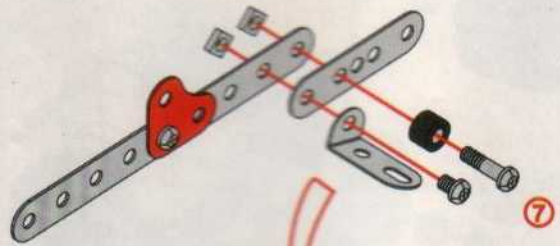
9

	x1		x1		x1		x1
	x1		x1		x1		x1
	x1		x1		x1		x1



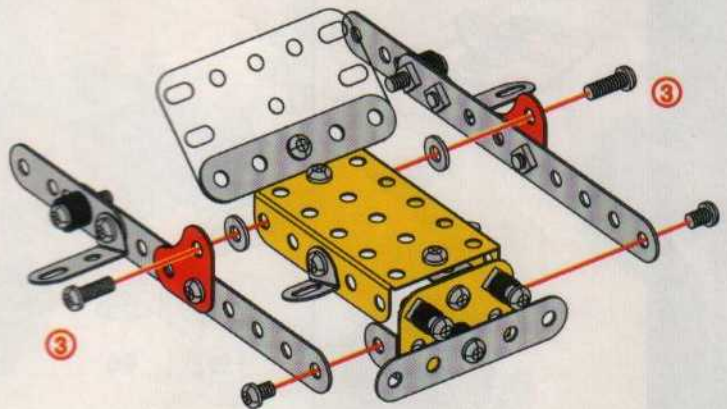
10 9+

	x1		x1		x2		x1		x1
	x1		x1		x1		x1		x1
	x1		x1		x1		x1		x1



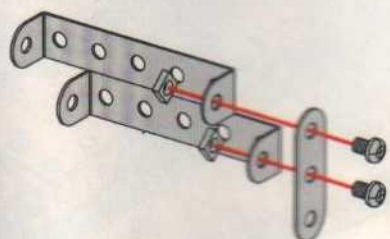
11 6+ 8+ 10+

	x2		x2		x2
	x4		x2		x2
	x2		x2		x2



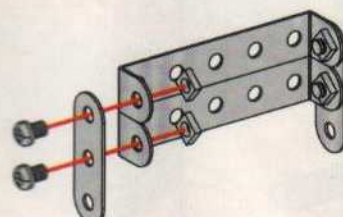
12

	x2		x2		x2
	x1		x2		x2



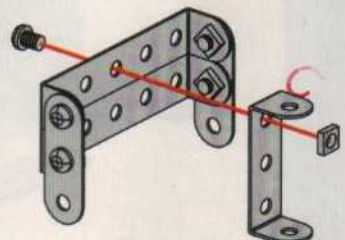
13 12+

	x1		x2		x2
	x2		x2		x2

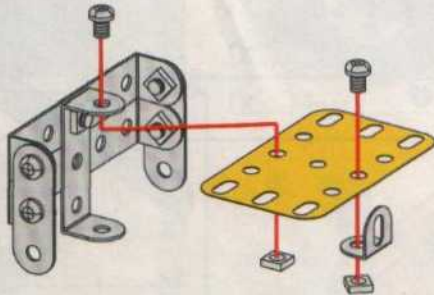
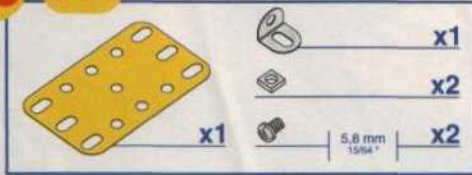


14 13+

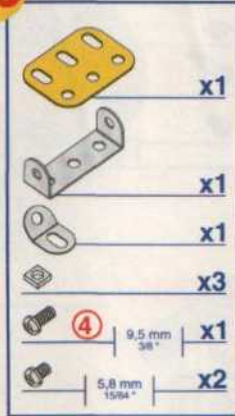
	x1		x1		x1
	x1		x1		x1



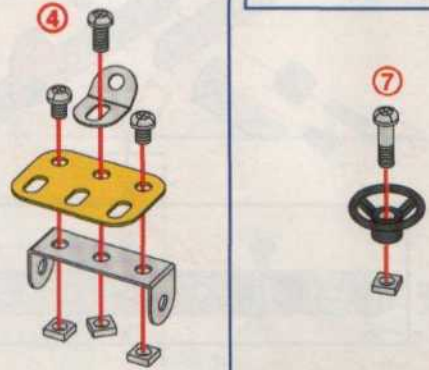
15 14+



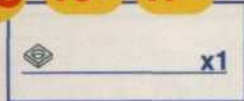
16



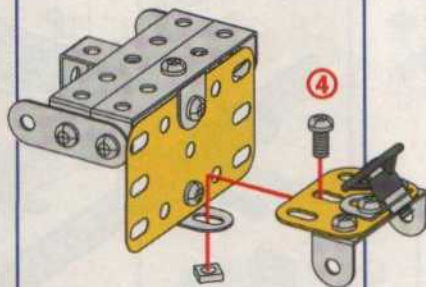
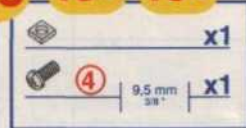
17



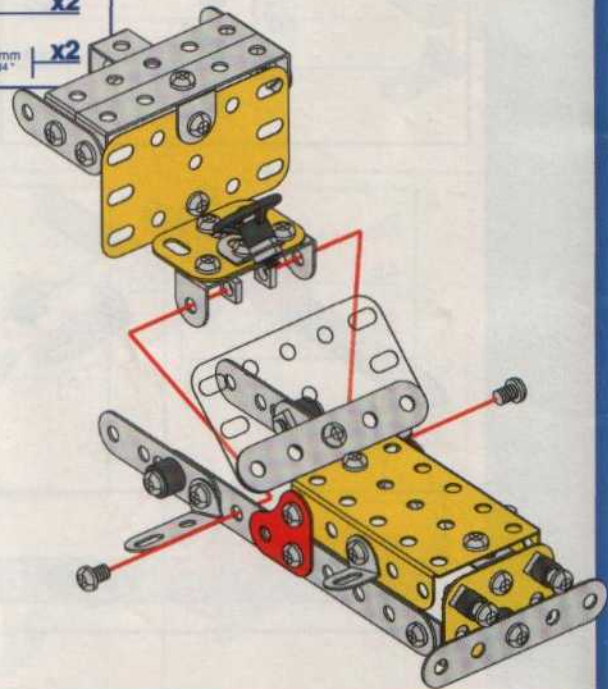
18 16+ 17+



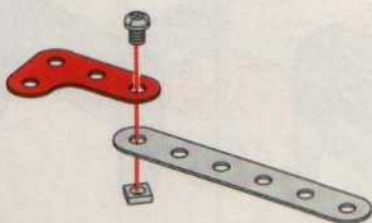
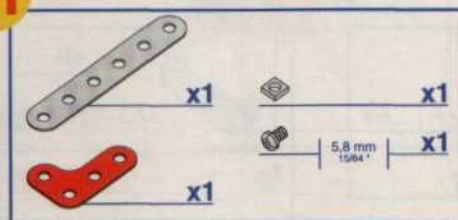
19 15+ 18+



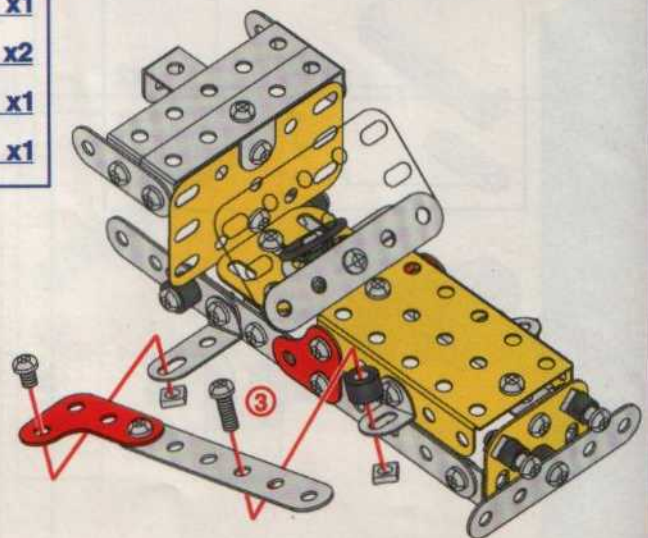
20 11+ 19+



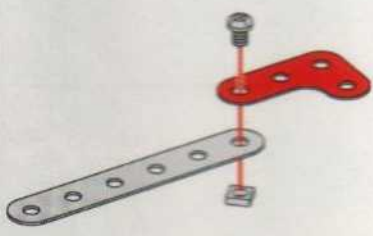
21



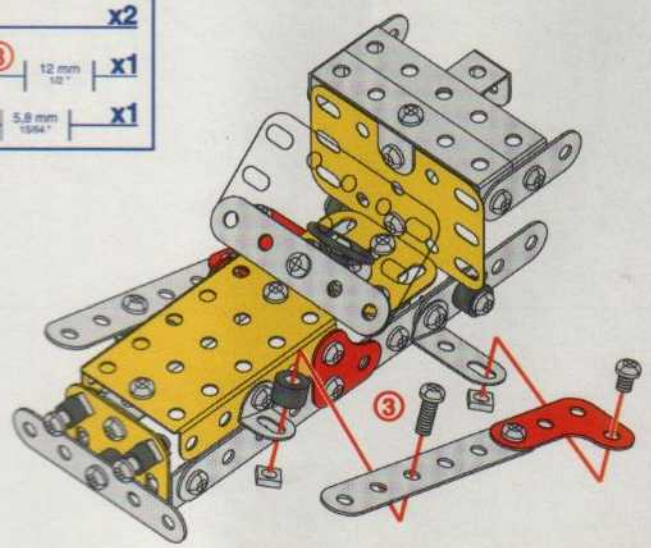
22 20+ 21+



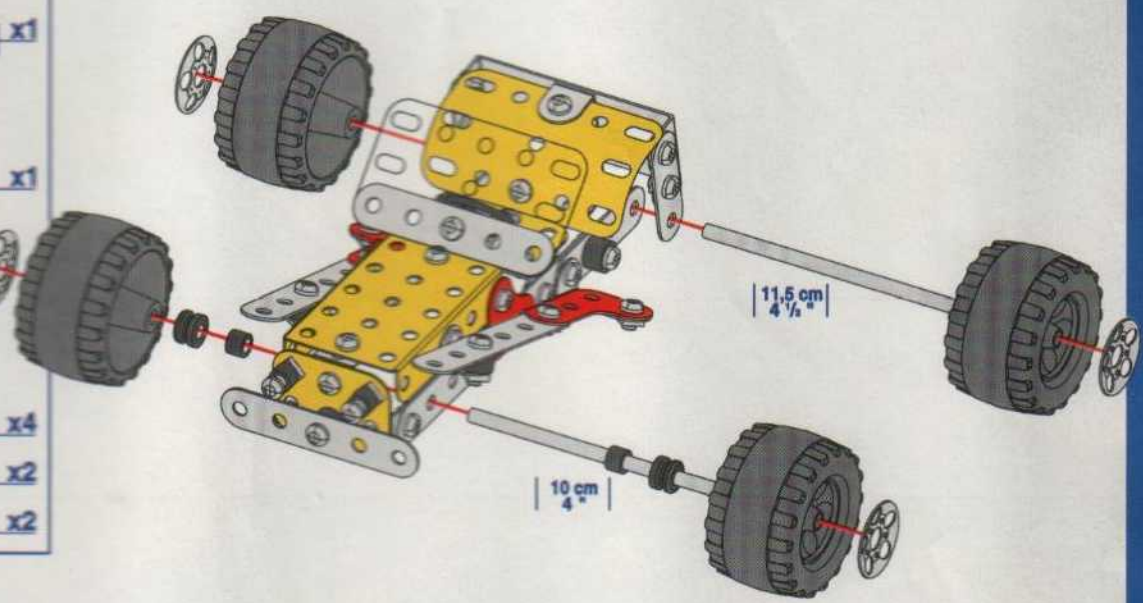
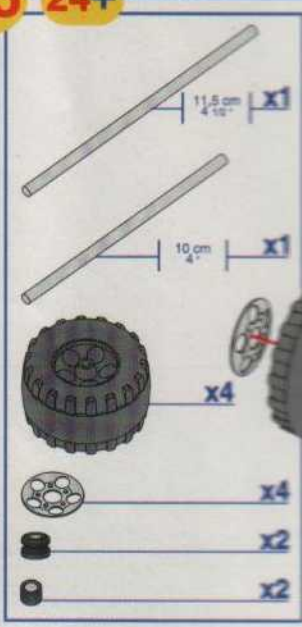
23



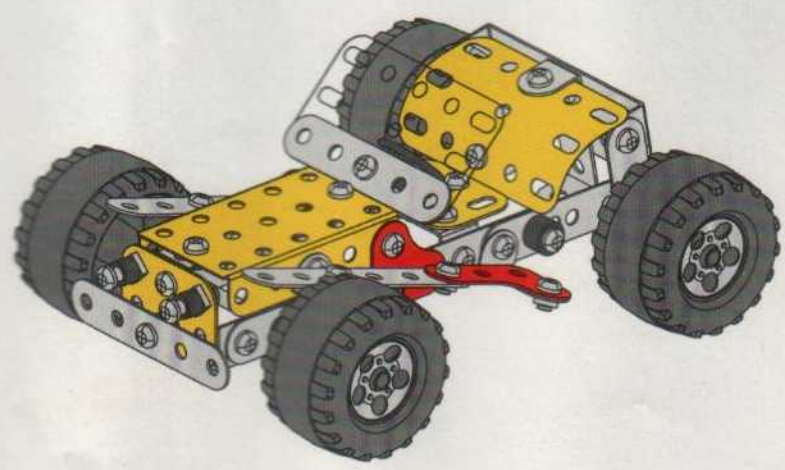
24 22+ 23+

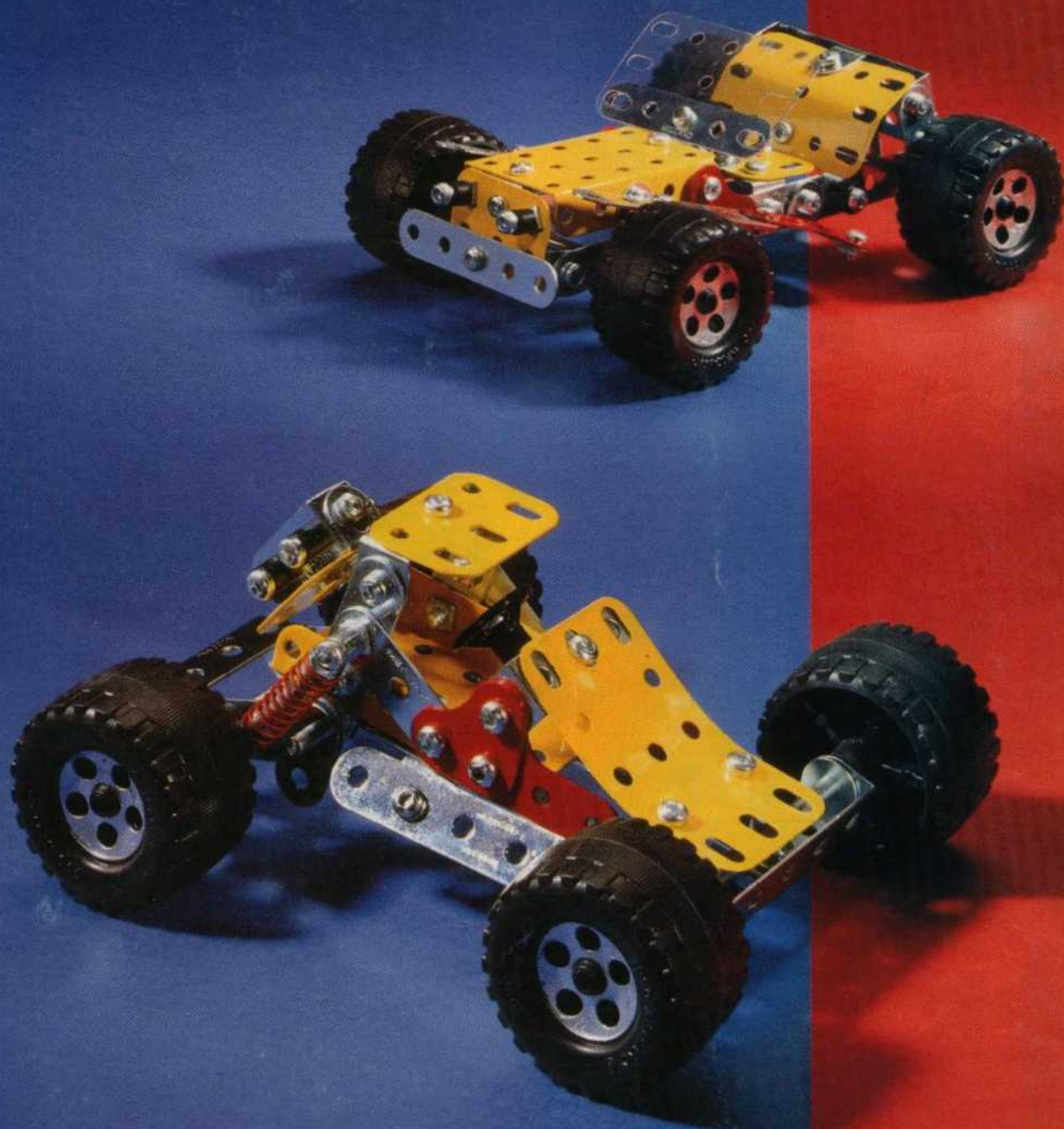


25 24+



26





**MECCANO**®

MECCANO ® is a registered trademark of Meccano S.A. © MECCANO S.A. 1995 03 0501 104 001 11/95 Made in France by / Hecho en Francia / Fabriqué en France par MECCANO - 363, Avenue de Saint-Exupéry - 62100 CALAIS - France

HP 0309F - 10.21.352019