

MECCANO®

EVOLUTION

GB Meccano Evolution range starts with Set 1 and progresses to Set 6. With Evolution Set 4, you can build 50 models in total, including those from Set 1, 2 and 3, and more with your imagination.

F Meccano Evolution commence avec Evolution 1 et progresse jusqu'à Evolution 6. Avec Evolution 4, tu peux construire tous les modèles des boîtes Evolution 1, 2, 3 et 4, soit 50 modèles proposés. Et tous ceux que tu peux imaginer.

D Die Meccano Serie Evolution beginnt mit dem Bausatz Nr. 1 und geht bis zum Bausatz Nr. 6. Der Evolution Bausatz Nr. 4 enthält alle Bauanleitungen des Bausatzes Nr. 1, 2 und 3 und die neuen Bauanleitungen des Bausatzes Nr. 4. Sie können also insgesamt 50 verschiedene Modelle bauen-mit etwas Fantasie natürlich viele, viele mehr.

I La linea Evolution parte dalla confezione Evolution 1 e arriva fino alla confezione Evolution 6. Con Evolution 4 puoi costruire 50 modelli diversi, inclusi quelli di Evolution 1, 2 e 3, più tutti quelli che ti suggerisce la tua fantasia.

S Meccano Evolution startar med Set 1 och fortsätter till Set 6. Med Evolution Set 4 kan Du bygga 50 modeller totalt, inklusive dem från Set 1, 2 or 3. Bara Din fantasi sätter gränser.

SF Meccano Evolution-sarja alkaa setistä 1 jatkuen settiin 6. Evolution-sarja 4: Ila voit rakentaa 50 mallia, mukaan lukien setti 1, 2 ja 3:n mallit, ja monta muuta mielikuvitusta käyttäen.

DK Meccano Evolution begynder med Evolution 1 og fortsætter op til Evolution 6. I Evolution 4 kan du bygge alle modellerne fra Evolution 1, 2, 3 og 4, dvs. 50 modeller ialt. Kun din fantasi sætter grænse for antallet.

E La serie Evolution de Meccano comienza con Evolution 1 y progresa hasta Evolution 6. Con el Evolution 4 podrás montar todos los modelos de los Evolution 1, 2, 3 y 4. Hasta un total de 50 modelos distintos más todo aquello que pueda inventar tu imaginación.

NL Meccano Evolution begint met Set 1 en eindigt met Set 6. Met Evolution 4 kan men in totaal 50 modellen bouwen, inclusief die van Set 1, 2 en 3 en met eigen fantasie nog meer!!

P Meccano Evolution começa com Evolution 1 e avança até Evolution 6. Com Evolution 4 podes construir todos os modelos das caixas Evolution 1, 2, 3 e 4. São 50 modelos propostos e tudo o que possas imaginar.

GR Η σειρά EVOLUTION της MECCANO αρχίζει με το Σετ 1 και προχωρεί μέχρι το Σετ 6. Με το Σετ 4 της σειράς EVOLUTION μπορείτε να κατασκευάσετε 50 μοντέλα συνολικά, συμπεριλαμβανόμενων και αυτών του Σετ 1, 2 και 3. Επίσης μπορείτε να κατασκευάσετε πολύ περισσότερα χρησιμοποιώντας την φαντασία σας.

JPN Meccano Evolution には最も簡単な Evolution 1 から最も高度な Evolution 6 までの 6 種類があります。Evolution 4 では Evolution 1, 2, 3, 4 にある 50 のモデルのほか、アイデア次第で色々なモデルが作れます。

6
5
4
3
2
1

4

GB : Many of the models and component parts are unique and original designs which are the property of MECCANO S.A. They are protected by national legislation as industrial designs, trademarks and/or copyrights throughout many countries. For detailed information please contact: MECCANO S.A. MECCANO takes no responsibility where instructions have not been followed, where pieces have been cut to sizes other than those in the instructions, or have been modified for another use.

F : De nombreux modèles et pièces sont des créations originales, propriétés de MECCANO S.A. et sont protégés par les législations nationales sur les dessins et modèles, marques ou droits d'auteurs. Pour toute information, merci de contacter: MECCANO S.A. MECCANO se dégage de toutes responsabilités en cas de non-respect des indications de montage, utilisation des pièces pour un autre usage que celui indiqué dans les notices et/ou modification des pièces.

D : Zahlreiche Modelle und Teile sind Erfindungen und Eigentum der Firma MECCANO S.A. Sie sind durch diese Gesetze über Zeichnungen und Modelle sowie Warenzeichen und/oder Urheberrechte geschützt. Für zusätzliche Auskünfte wenden Sie sich bitte an MECCANO S.A. MECCANO kann keine Haftung übernehmen, wenn die Anleitungen nicht befolgt oder wenn Teile anders als in den Anleitungen vorgesehen eingesetzt oder abgeändert werden.

I : Numerosi modelli e pezzi sono creazioni originali, proprietà della MECCANO S.A. e sono protetti dalle legislazioni nazionali sui disegni e modelli, marchi e diritti d'autore. Per qualsiasi informazione, vogliate prendere contatto con: MECCANO S.A. MECCANO non si assume alcuna responsabilità qualora le istruzioni non vengono seguite, le parti componenti vengono impiegate in modo diverso da quanto illustrato o siano state modificate per usi differenti dal montaggio dei modelli MECCANO.

S : Många modeller och delar bildar en unik och originell formgivning, vilken är MECCANO S.A. ägendom. Dessa modeller och delar är skyddade genom lagstiftning såsom industriell formgivning, varumärke och/eller upphovsrättligt i ett flertal länder. För mer detaljerad information, var vänlig och kontakta MECCANO S.A. MECCANO kan ej ta ansvar för något då instruktionerna ej har följts, då delar har använts till annat än vad instruktionerna anvisat eller att delarna har blivit modifierade till annan användning.

SF : Våra många modeller och delar är originala föremål och ägas av MECCANO S.A. Tegningar, modeller, fabriktionsmärken och ophavsret är lovbeskyttade i hvert land. Yderligere oplysninger kan fås hos: MECCANO S.A. MECCANO er et ansvarigt, job osia en käytetty muuhun kuin ohjeiden suosittelemiin käyttötarkoituksiin tai jos osia on itse muutteltu.

DK : Uæet mllit ja osat oval MECCANO S.A.-n omisuuata olevaa suunnittelua. Uæet mallit osat ovat lailla suojattua teollista muotoilua, tavaramerkkej jll kpiointioikeuksia useissa maissa. Tuotemerkki MECCANO on MECCANO S.A.-n omisuuata oleva rekisterilly tavaramerkki, jonka kyttö ilman lupaa on kielletty. Listietoja varten, ottakaa yhteytt MECCANO S.A. MECCANO fratager sig ald ansvar, hvis materialet bliver brugt til andet end det bregnede, nr anvisningerne og forndringerne af delene ikke overholdes.

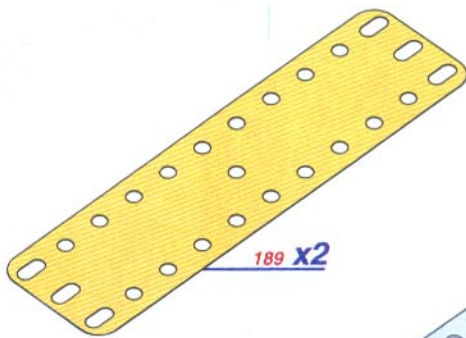
E : Numerosos modelos y piezas son creaciones originales, propiedades de MECCANO S.A. y son protegidos por las legislaciones nacionales en lo que concierne a los dibujos y modelos, marcas y/o derechos de autor. Para cualquier informacin, srvase ponerse en contacto con: MECCANO S.A. MECCANO no se responsabilizar en aquellos casos en que no se hayan seguido las instrucciones, las piezas se hayan usado con distinto fin al indicado en las instrucciones, o bien se hayan modificado para otros usos.

NL : Veel modellen en onderdelen zijn een uniek en origineel ontwerp, hetgeen eigendom van MECCANO S.A. is. Deze modellen genieten bescherming ala industrieel ontwerp, handelsmerk en/of copyright in talloze landen. Voor uitgebreide informatie, s.v.p. contact opnemen met MECCANO S.A. MECCANO is niet verantwoordelijk voor het niet opvolgen van de instructies, voor verkeerd gebruik van de onderdelen of het gebruiken van onderdelen voor andere de snden.

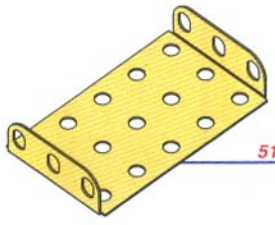
P : Numerosos modelos e peas so criaes originais, propriedades de MECCANO S.A. e so protegidos pelas legislaes nacionais segundo os desenhos, os modelos, as marcas e/ou os direitos autorais. Para qualquer informaes, queira contactar: MECCANO S.A. MECCANO no assumira nenhuma responsabilidade sempre que as instrues no tenham sido seguidas, as peas tenham sido utilizadas para fins que no so contidos nas nossas instrues, ou tenham sido modificadas para outras utilizaes.

GB : This is a very high quality product made from die-cast metal. The MECCANO S.A. name and logo are registered trademarks and are used under licence. The name 'MECCANO' is a registered trademark of MECCANO S.A. MECCANO S.A. takes no responsibility where instructions have not been followed, where pieces have been cut to sizes other than those in the instructions, or have been modified for another use.

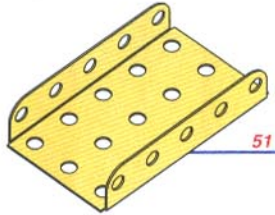
JPN : 本社の製品は、品質が高く、設計が秀でた、力強い構造のモデルキットです。本製品の名称とロゴは、MECCANO S.A.社の登録商標であり、本製品は、MECCANO S.A.社の許可の下で製造されています。MECCANO S.A.社は、本製品の設計や製造に関する権利を保有しています。本製品の設計や製造に関する権利は、MECCANO S.A.社に帰属しています。本製品の設計や製造に関する権利は、MECCANO S.A.社に帰属しています。本製品の設計や製造に関する権利は、MECCANO S.A.社に帰属しています。本製品の設計や製造に関する権利は、MECCANO S.A.社に帰属しています。



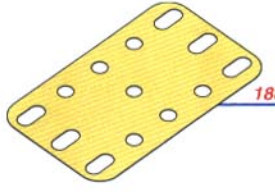
189 x2



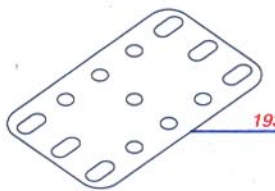
51 x1



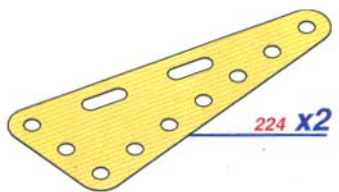
51 f x1



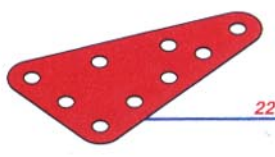
188 x2



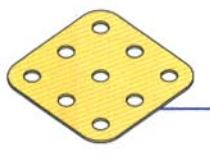
193 x2



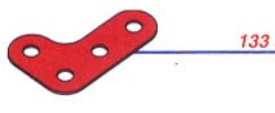
224 x2



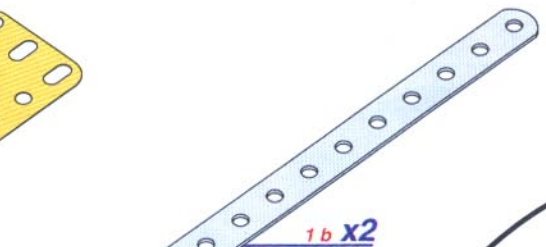
221 x2



74 x2



133 b x2



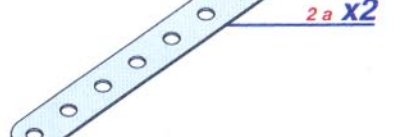
1 b x2



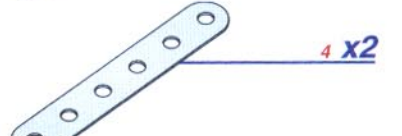
2 x4



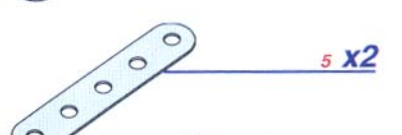
2 a x2



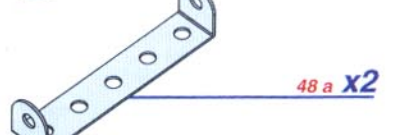
4 x2



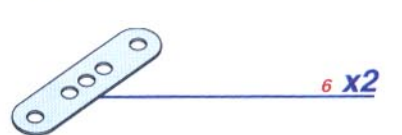
5 x2



48 a x2



6 x2



6 a x2



9 f x2



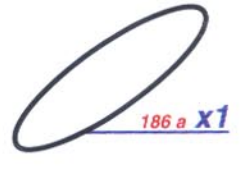
48 x3



48 x3



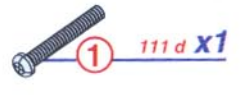
133 c x2



186 a x1



186 x1



111 d x1



111 e x3



111 a x9



111 c x3



147 g x2



147 d x6



37 b x59



37 a x88



38 x2



69 a x6



38 b x5



38 a x10



59 a x1

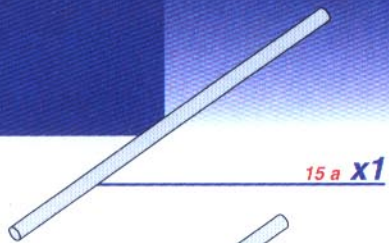


23 c x7

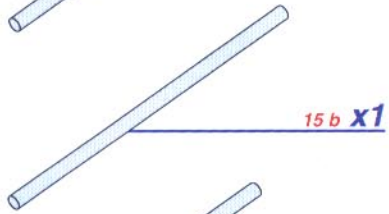


59 x2

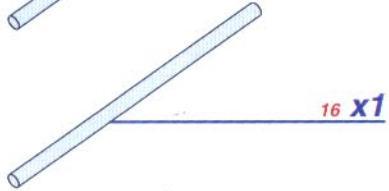




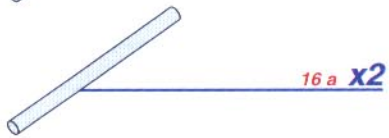
15 a x1



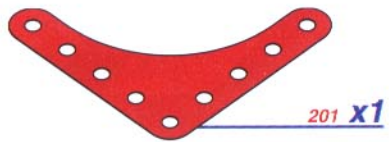
15 b x1



16 x1



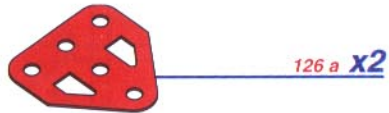
16 a x2



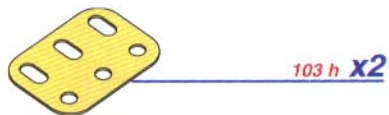
201 x1



126 x2



126 a x2



103 h x2



133 a x2



12 b x2



12 x6



12 c x4



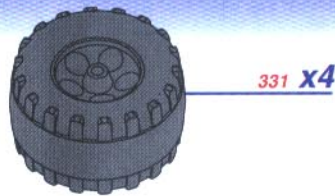
321 x1



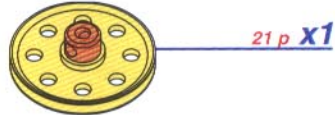
26 x1



26 n x1



331 x4



21 p x1



27 a x1



28 x1



22 cp x1



142 J x3



23 b x3



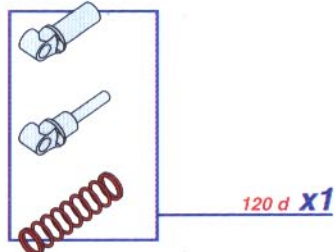
187 q x4



57 b x1



40 x1



120 d x1



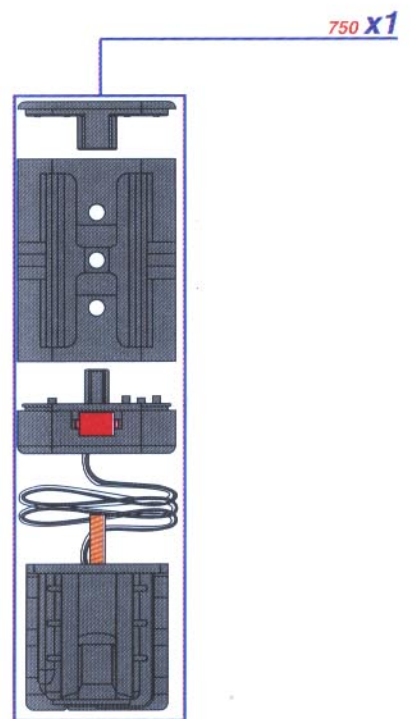
36 c x1



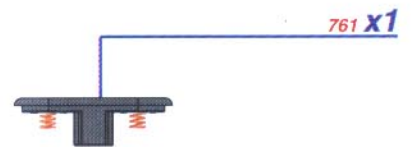
36 d x1



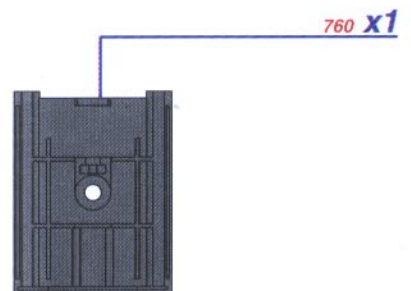
34 x1



750 x1



761 x1

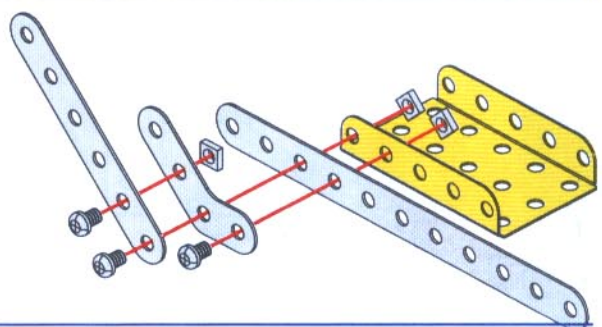


760 x1



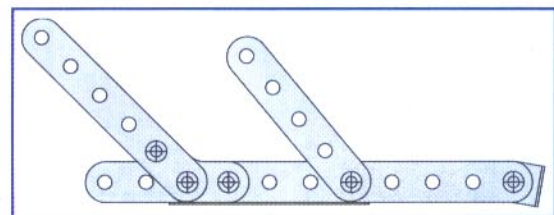
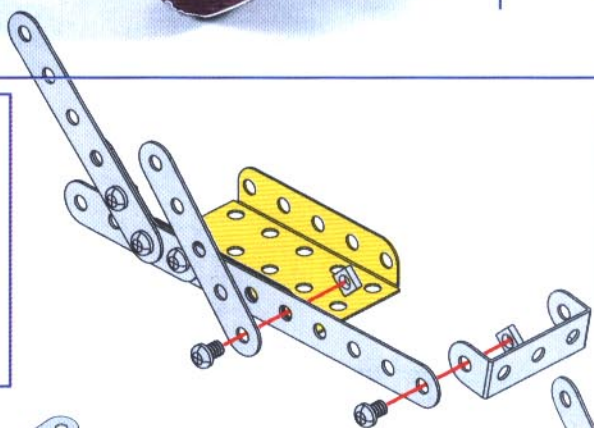
1

	x1		x1		x3
	x1		x1		x3
				5,8 mm 15/64"	x3



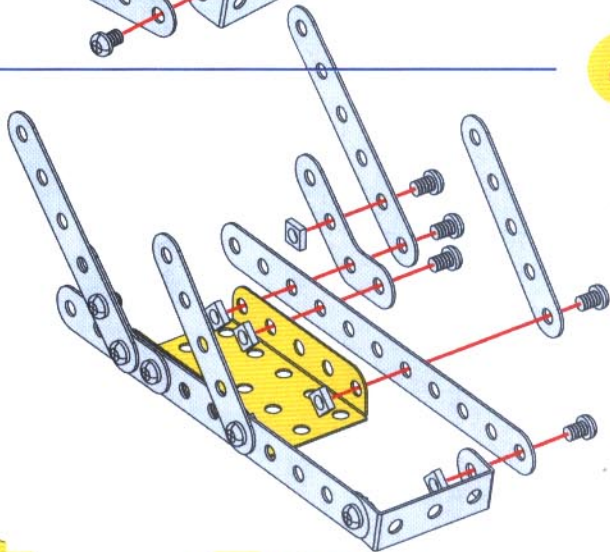
2 **1+**

	x1
	x1
	x2
	x2
	5,8 mm 15/64"



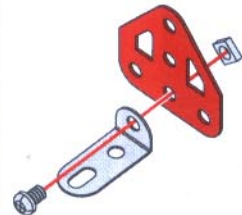
3 **2+**

	x1
	x1
	x1
	x5
	x5
	5,8 mm 15/64"



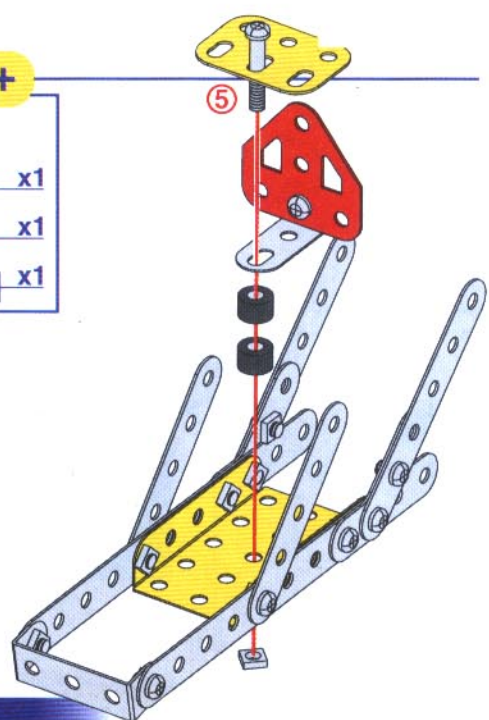
4

	x1
	x1
	x1
	x1
	5,8 mm 15/64"



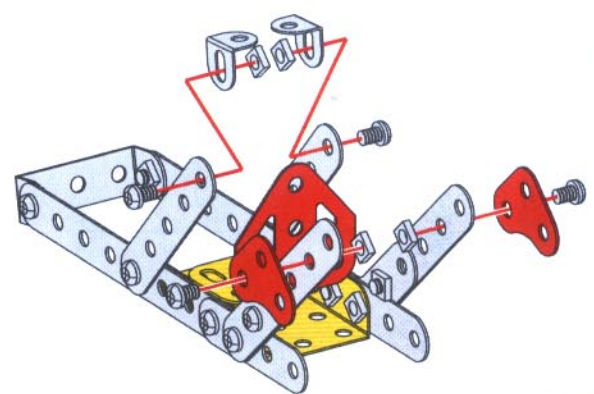
5 **3+** **4+**

	x1
	x2
	x1
	x1
	x1
	23 mm 29/32"

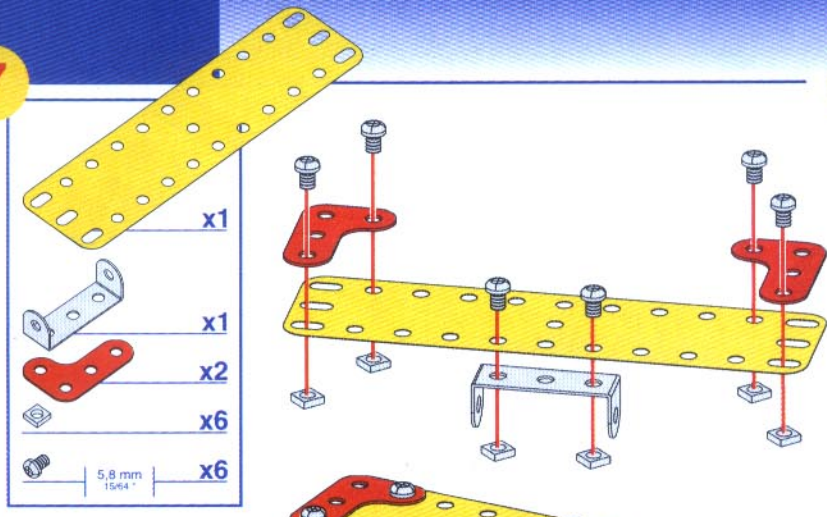


6 **5+**

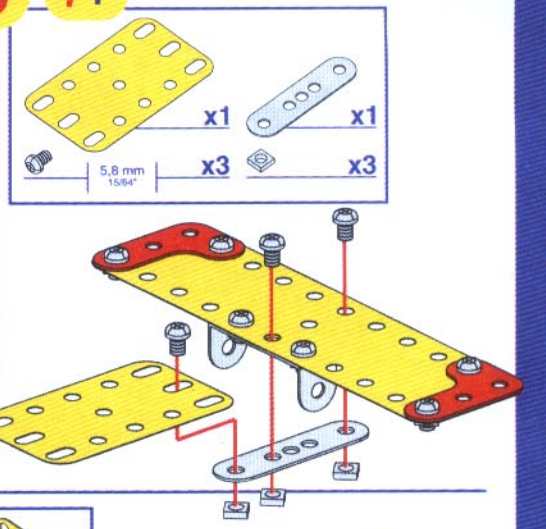
	x2
	x2
	x4
	x4
	5,8 mm 15/64"



7



8 7+

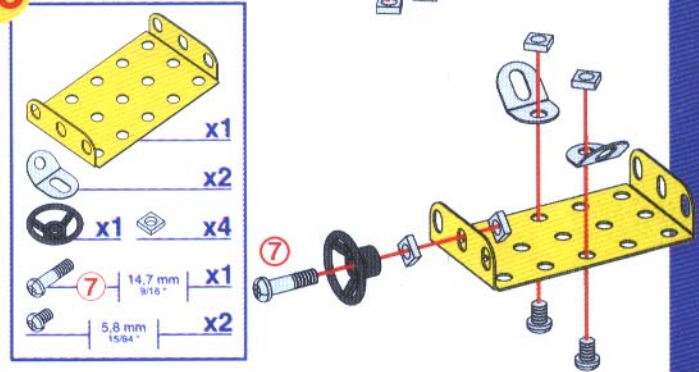
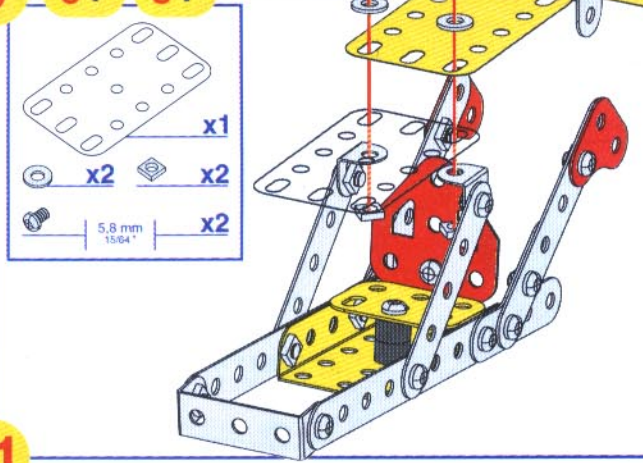


9

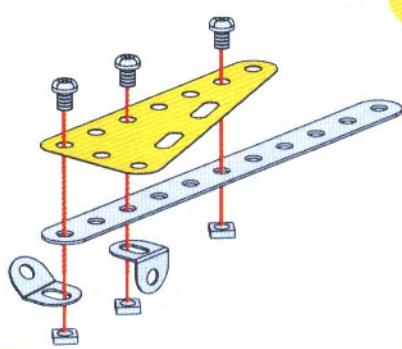
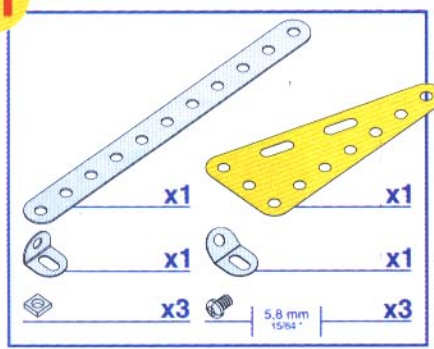
6+

8+

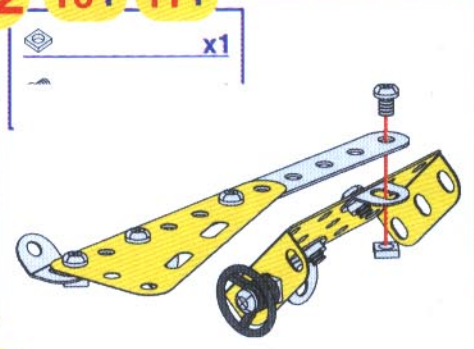
10



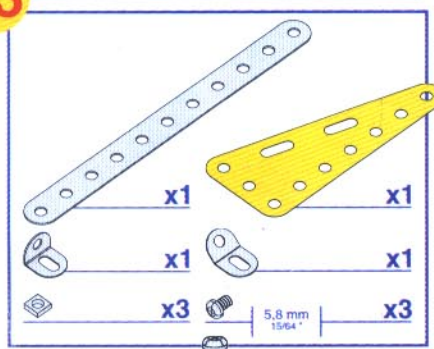
11



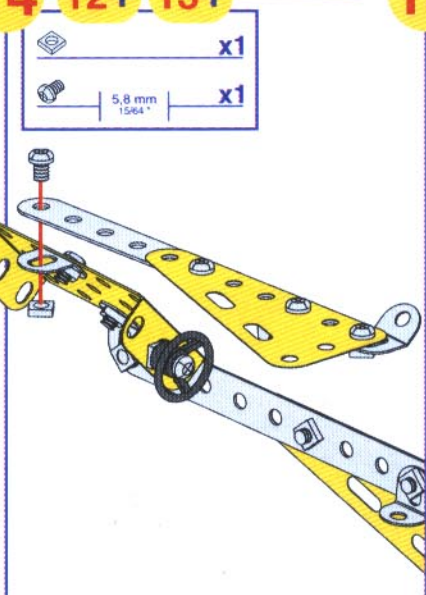
12 10+ 11+



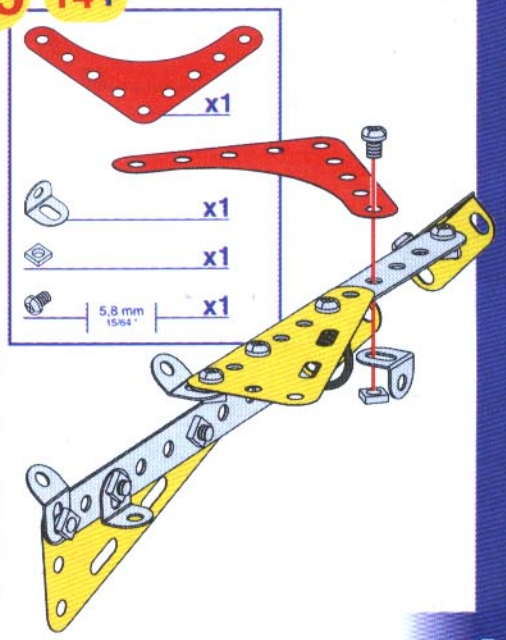
13



14 12+ 13+

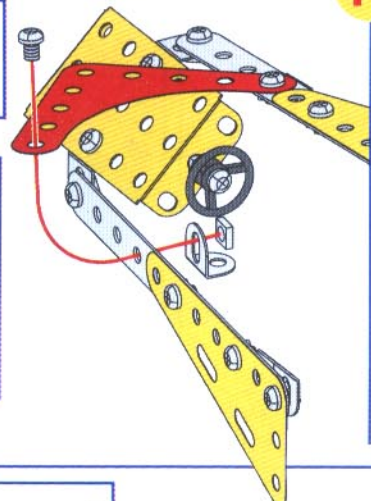
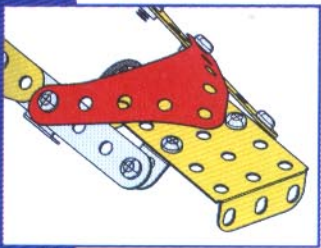


15 14+



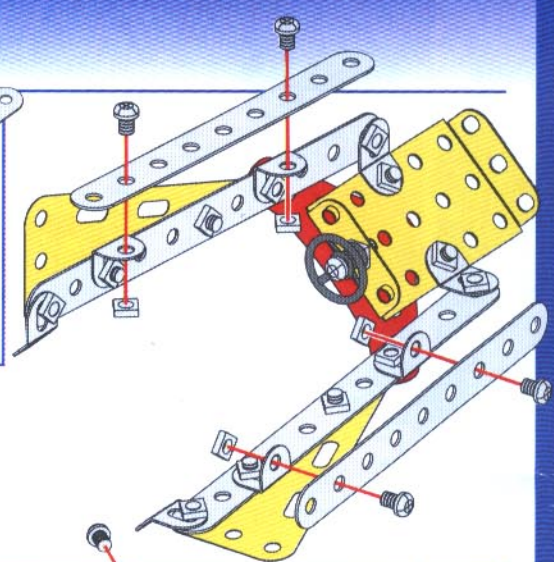
16 14+ 15+

- x1
- x1
- x1



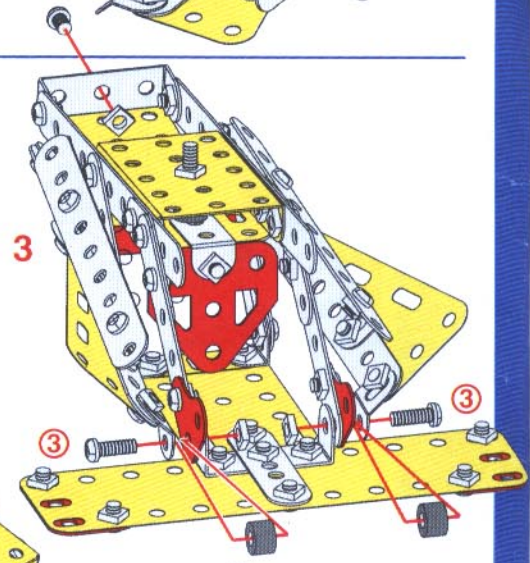
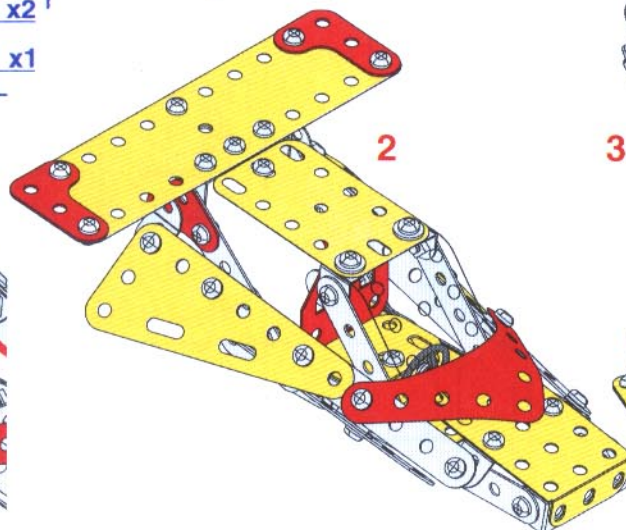
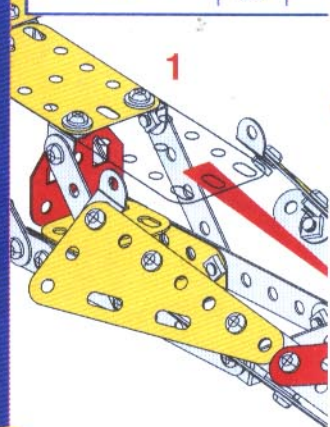
17 16+

- x2
- x4
- x4



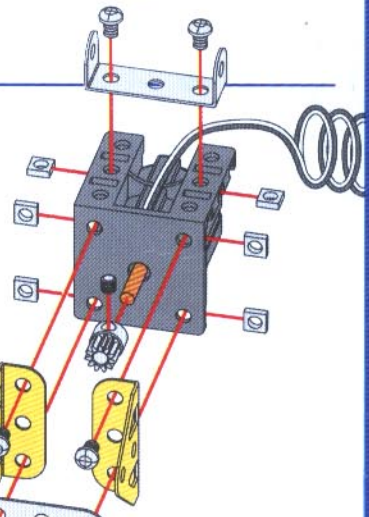
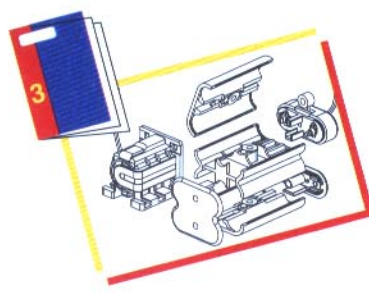
18 9+ 17+

- x2
- x2
- x3
- x1



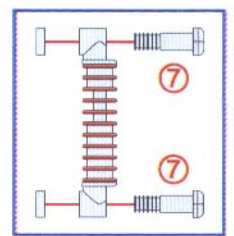
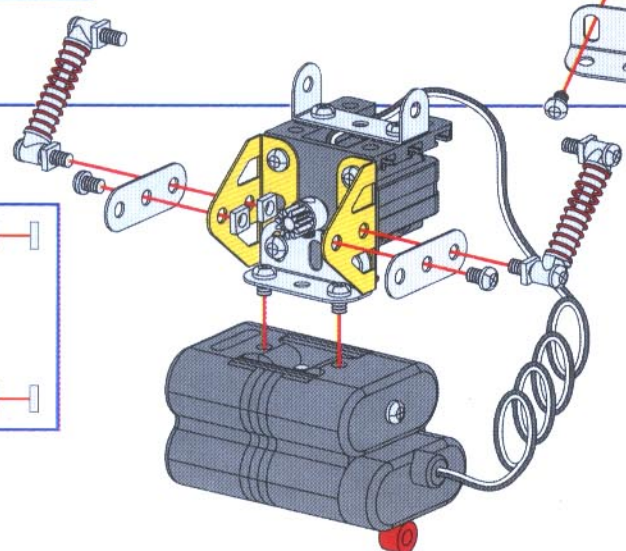
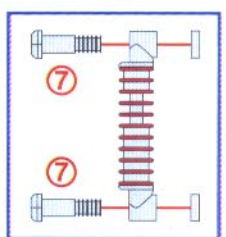
19

- x1
- x2
- x1
- x1
- x1
- x1
- x6
- x6



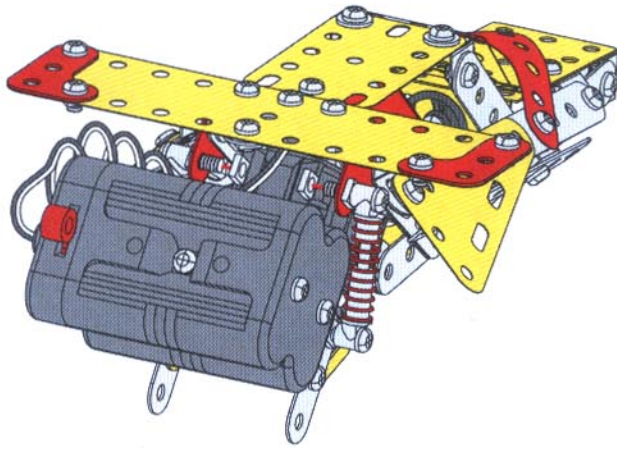
20 19+

- x2
- x2
- x8
- x4
- x4



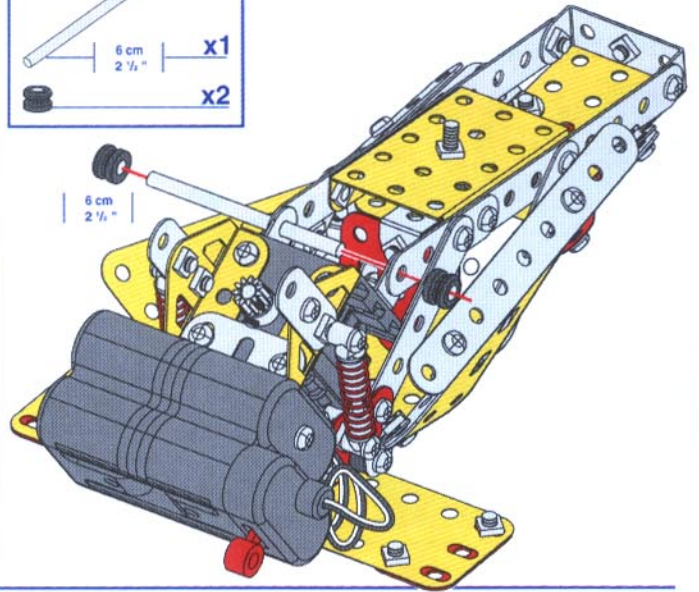
21 18+ 20+

 x2

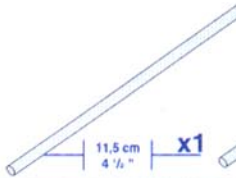
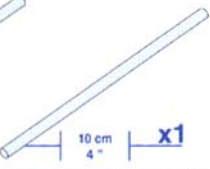









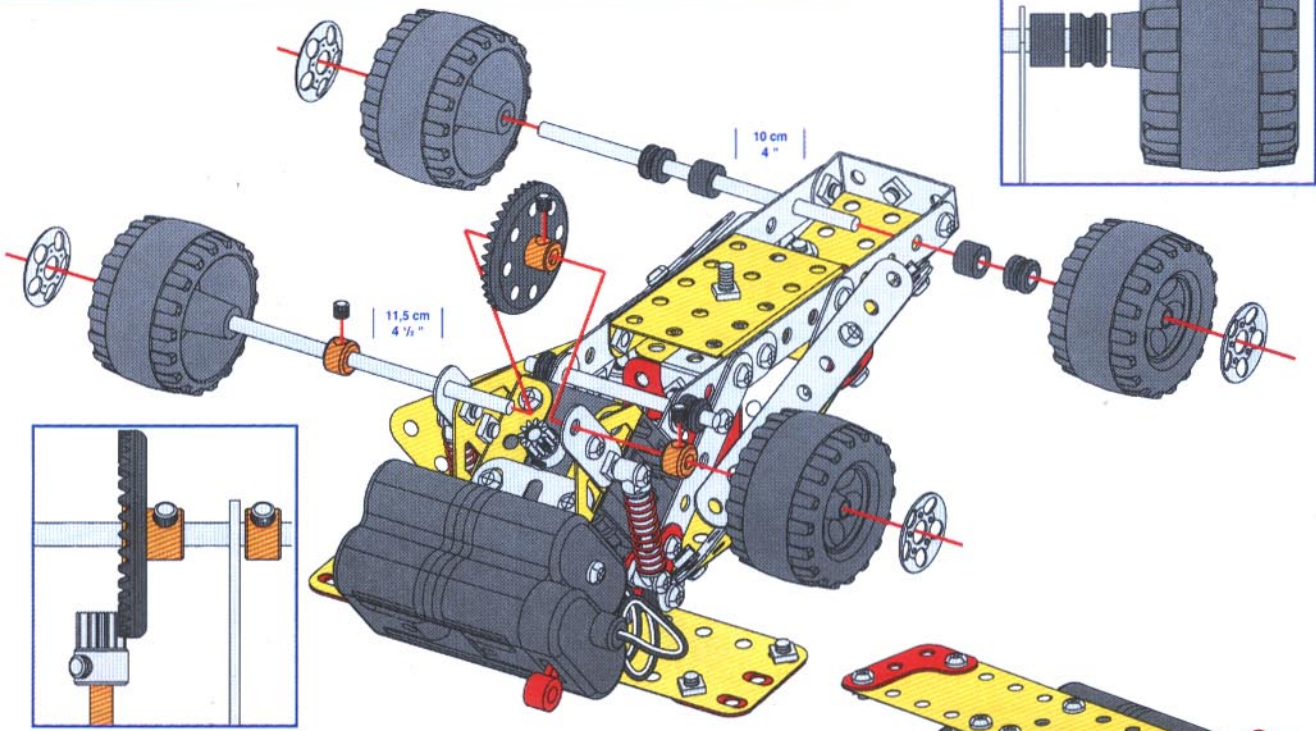
22 21+

 6 cm
2 1/8" x1
 x2

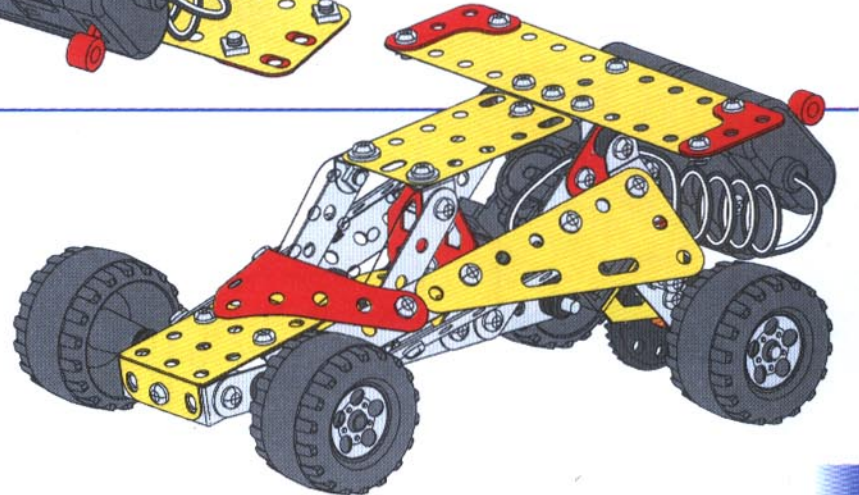


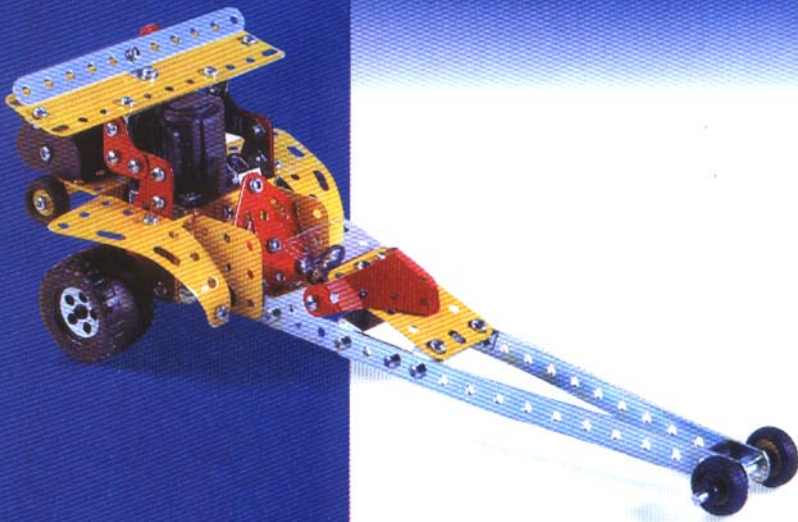
23 22+

 11,5 cm
4 1/2" x1  10 cm
4" x1  x4  x1
 x2  x2
 x2  x3  x4



24





1

- Yellow 1x6 Technic Plate: x1
- White 1x6 Technic Plate: x1
- Grey Technic L-Bracket: x2
- Black Technic Pin: x2
- Black Technic Pin: x2
- Grey Technic Bush: x4
- Grey Technic Pin (5.8 mm): x2
- Grey Technic Pin (14.7 mm): x2

2

- Black Technic Wheel: x1
- Grey Technic Pin: x1
- Grey Technic Bush: x2
- Grey Technic Pin (14.7 mm): x1

3 1+ 2+

- Black Technic Pin: x1
- Grey Technic Bush: x1
- Grey Technic Pin (12 mm): x1

4 3+

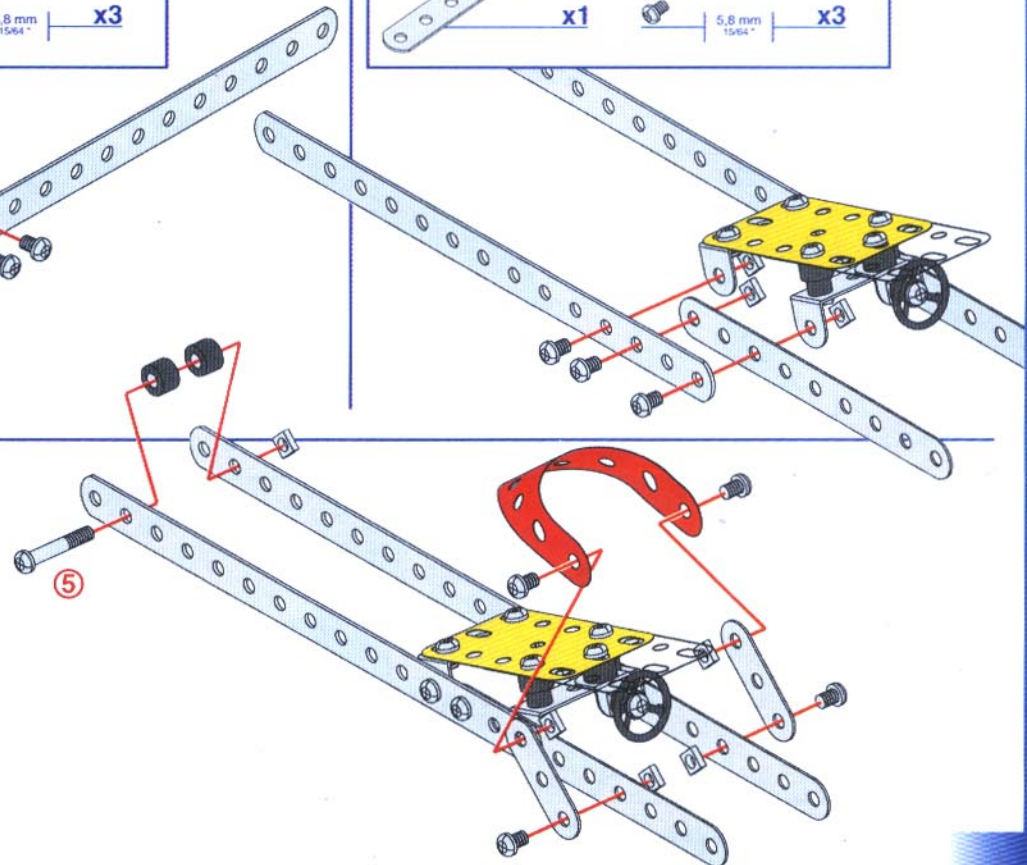
- Grey Technic Axle (15 holes): x1
- Grey Technic Bush: x3
- Grey Technic Pin (5.8 mm): x3

5 4+

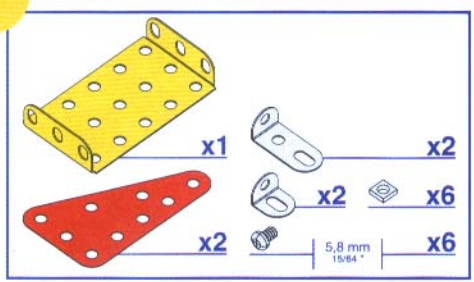
- Grey Technic Axle (15 holes): x1
- Grey Technic Bush: x3
- Grey Technic Pin (5.8 mm): x3

6 5+

- Red Technic Arch: x1
- Grey Technic L-Bracket: x2
- Black Technic Pin: x2
- Grey Technic Bush: x5
- Grey Technic Pin (23 mm): x1
- Grey Technic Pin (5.8 mm): x4



7



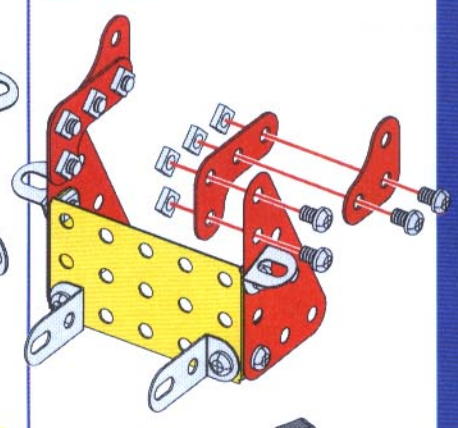
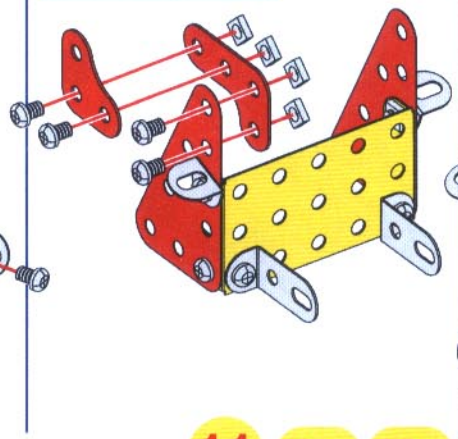
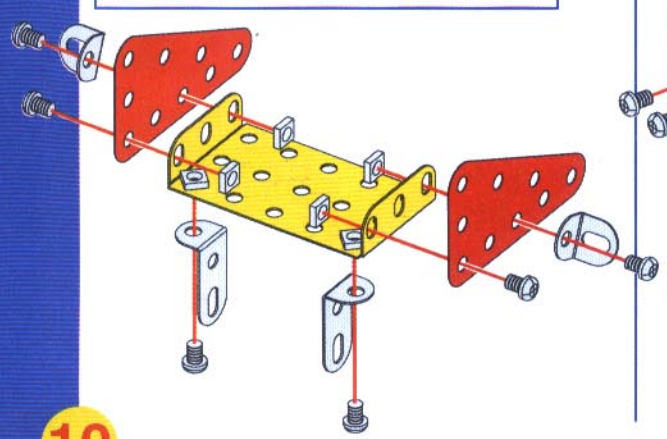
8

7+

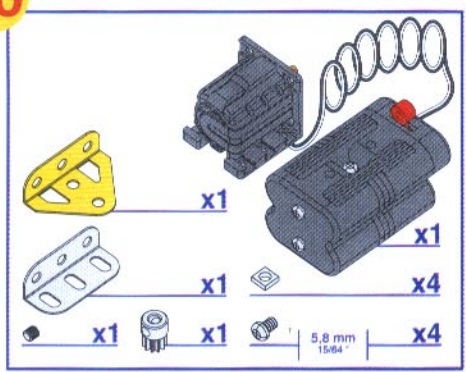


9

8+



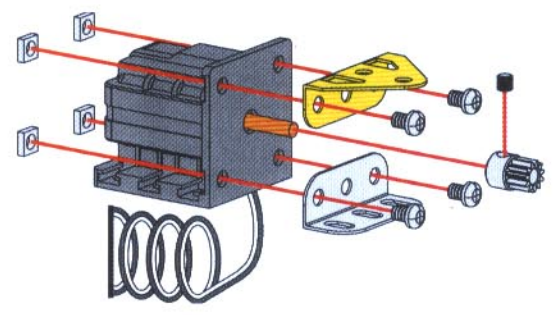
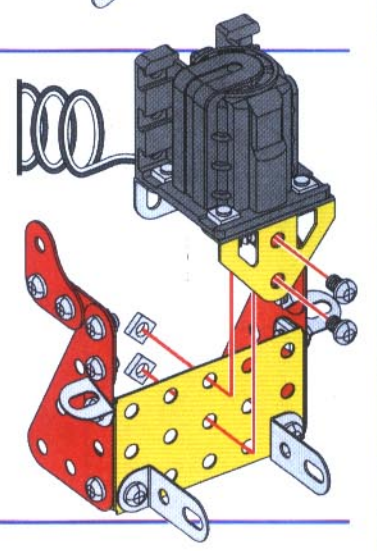
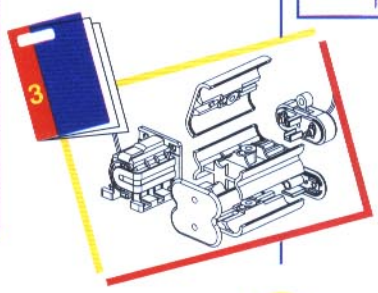
10



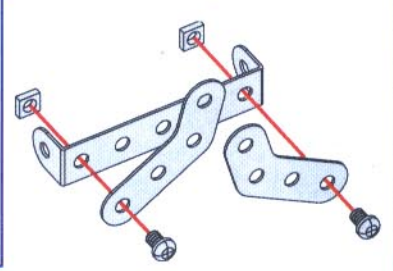
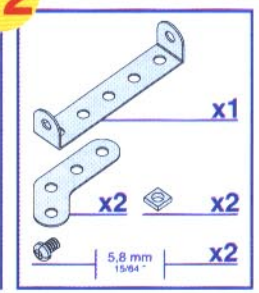
11

9+

10+



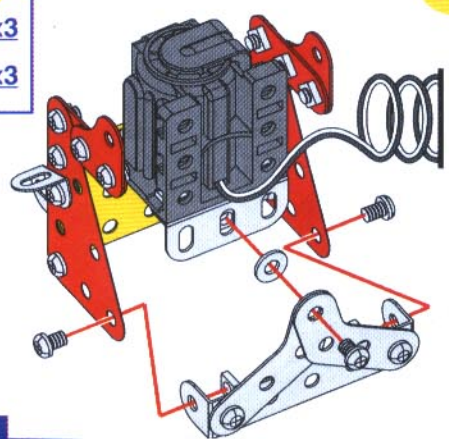
12



13

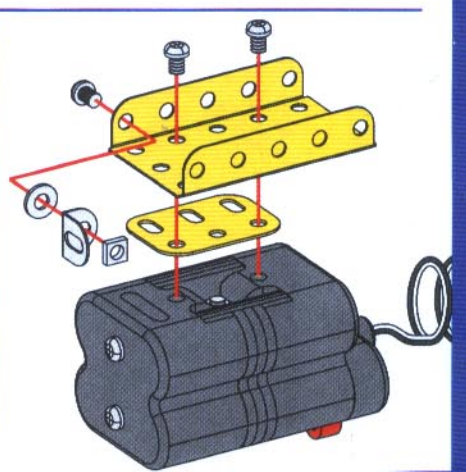
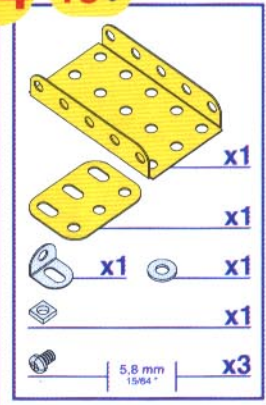
11+

10+



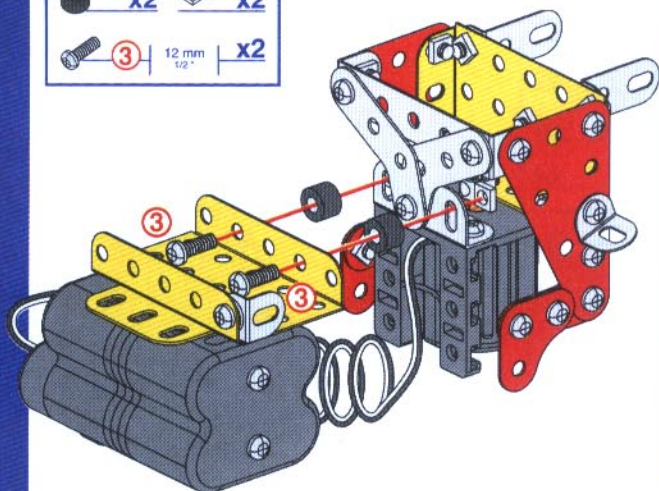
14

13+

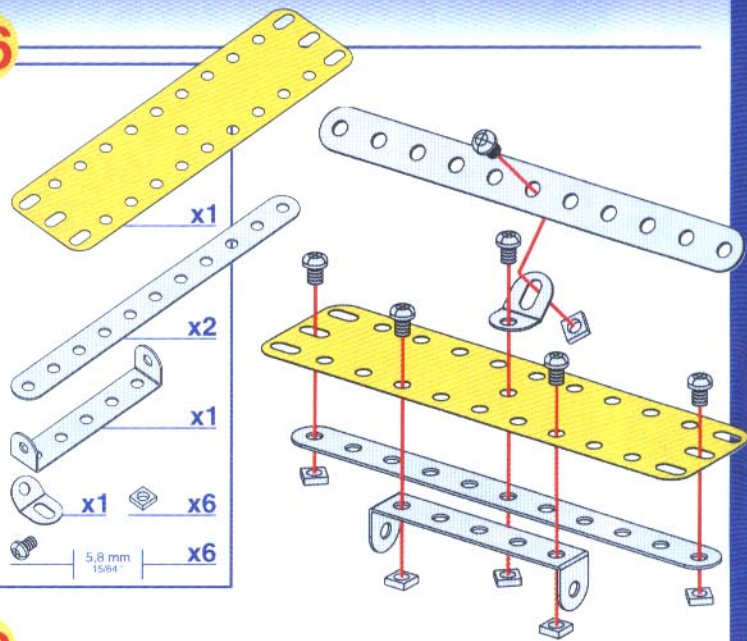


15 14+

- x2
- x2
- 12 mm 1/2" x2

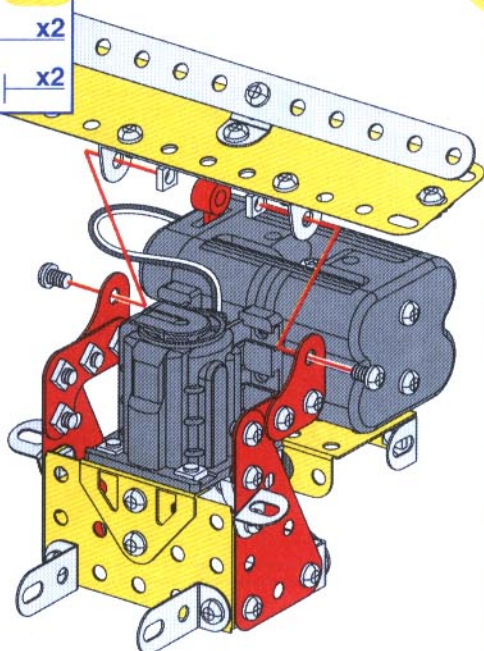


16



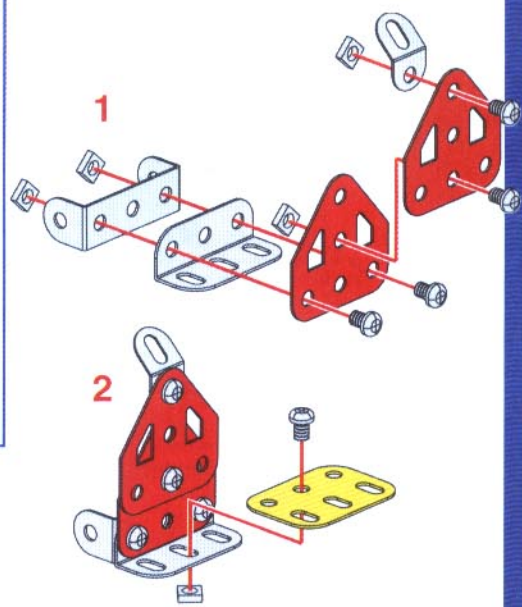
17 15+ 16+

- x2
- x2



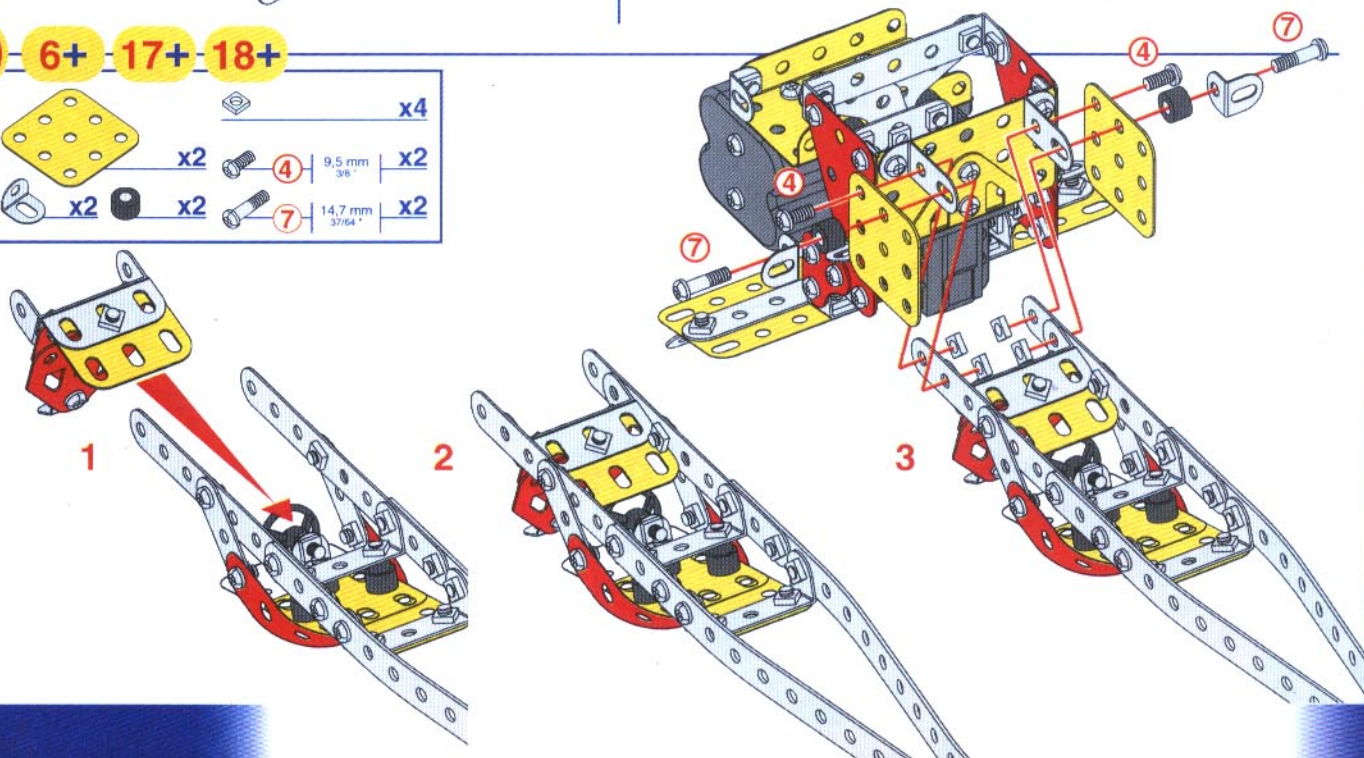
18

- x2
- x1
- x1
- x1
- x1
- x1
- x5
- x5








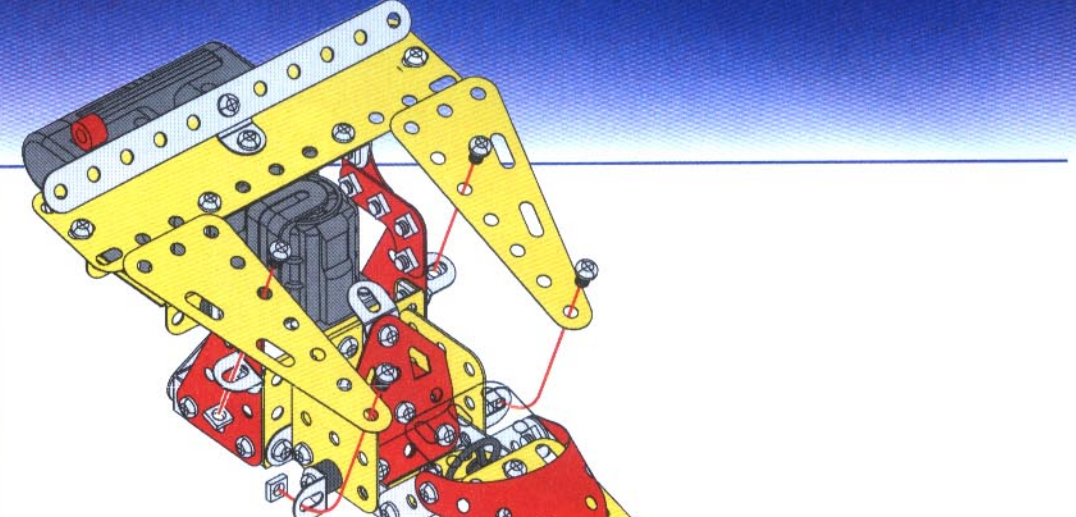
19 6+ 17+ 18+

- x4
- x2
- 9.5 mm 3/8" x2
- 14.7 mm 3/16" x2
- x2
- x2









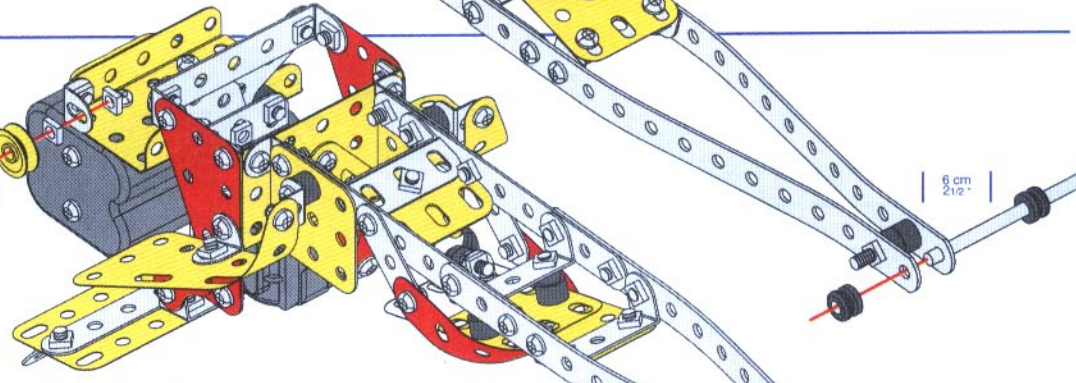
20 19+

-  x2
-  x1
-  x4
-  x2
-  x4




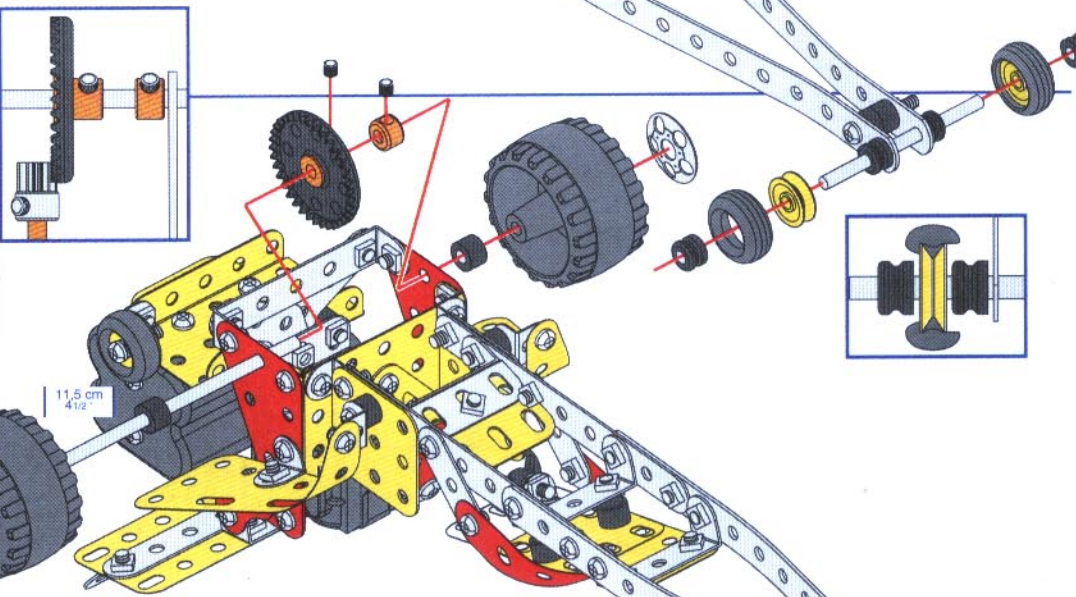
21 20+

-  x3
-  x1
-  x3
-  x2
-  x2
-  x1

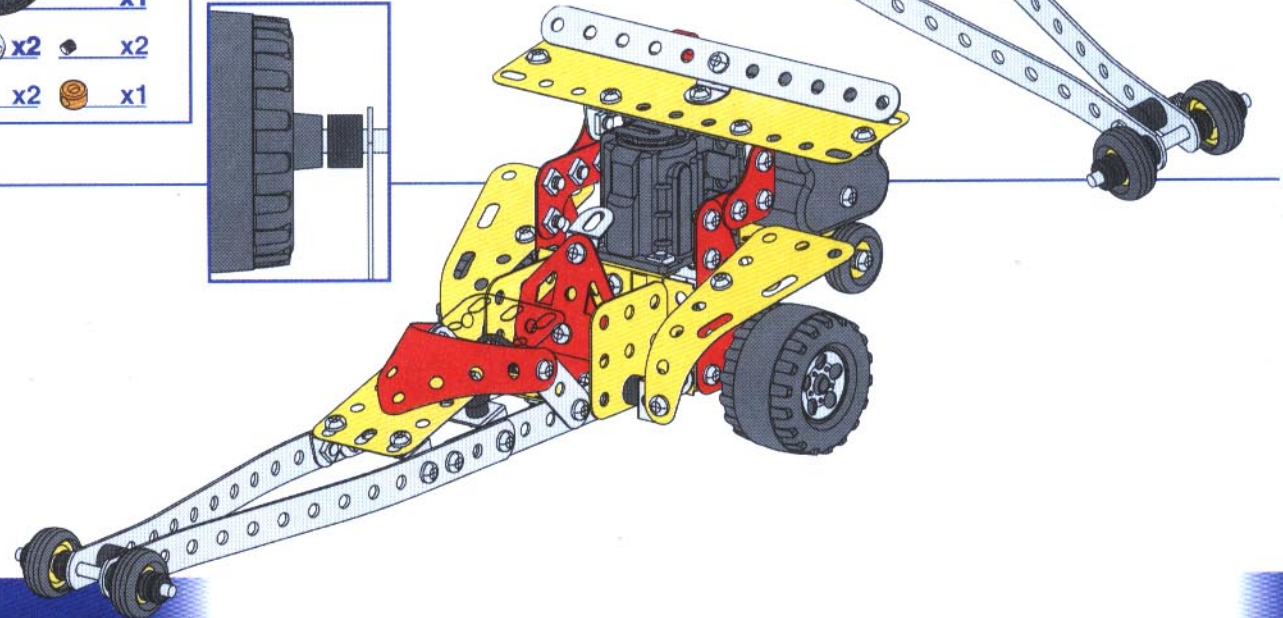
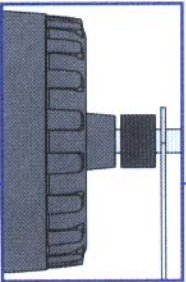


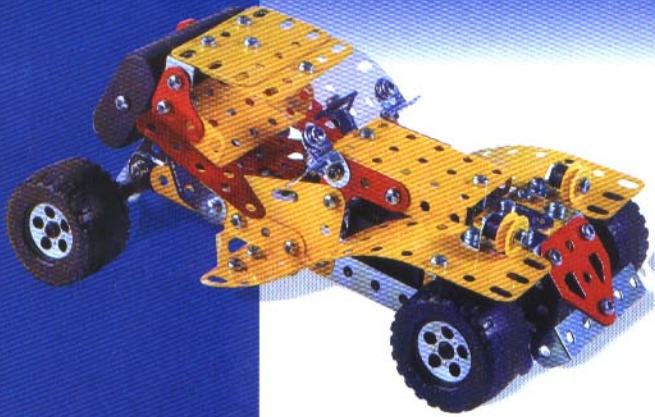
22 21+

-  x1
-  x2
-  x1
-  x2
-  x2
-  x2
-  x1



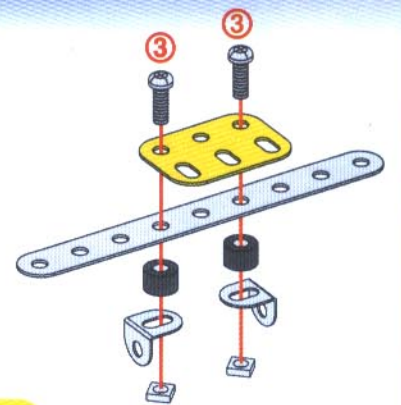
23





1

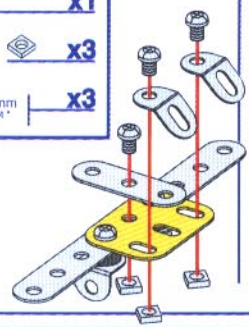
- x1
- x1
- x2
- x2
- x2
- x2



2

1+

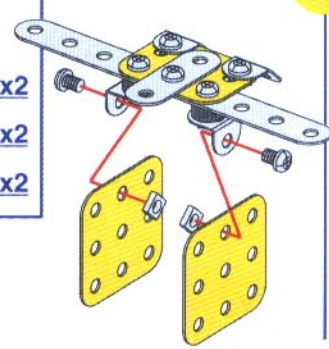
- x1
- x2
- x3
- x3



3

2+

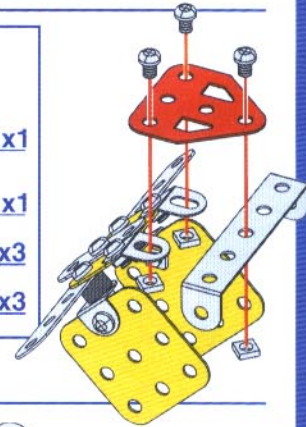
- x2
- x2
- x2



4

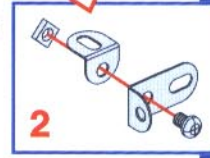
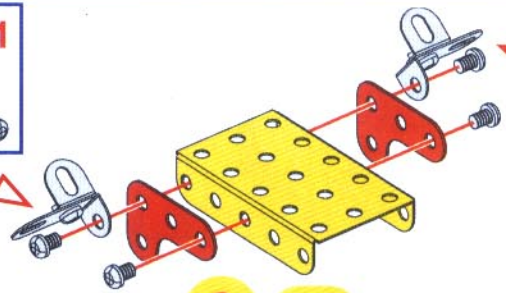
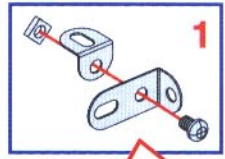
3+

- x1
- x1
- x3
- x3



5

- x1
- x2
- x2
- x6
- x6



6

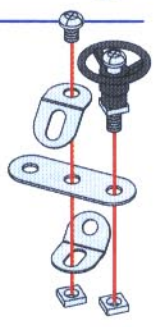
- x1
- x1
- x1
- x1



7

6+

- x1
- x2
- x2
- x1



8

7+

- x1
- x2
- x1
- x1



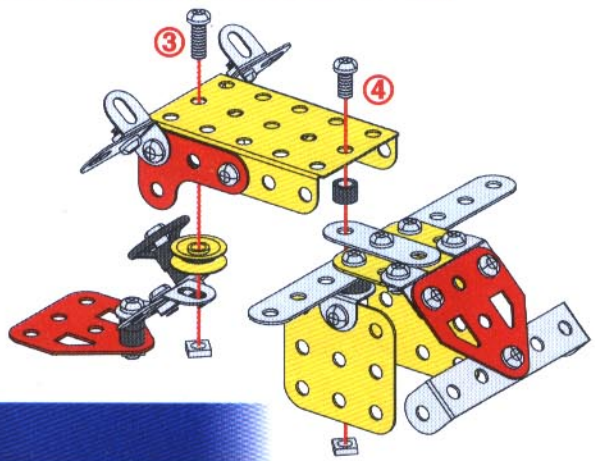
9

4+

5+

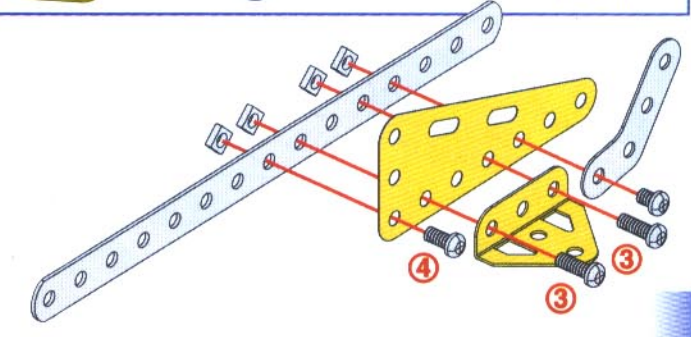
8+

- x1
- x1
- x1
- x1
- x2
- x1



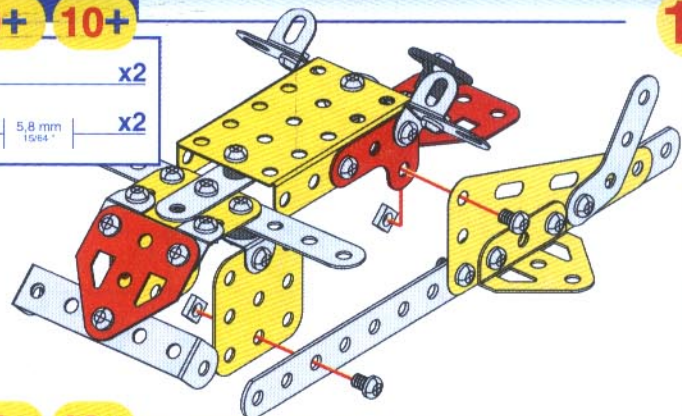
10

- x1
- x1
- x1
- x2
- x1
- x1

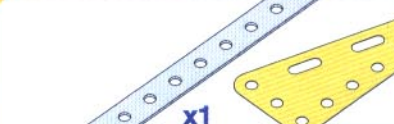
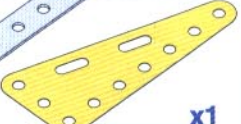







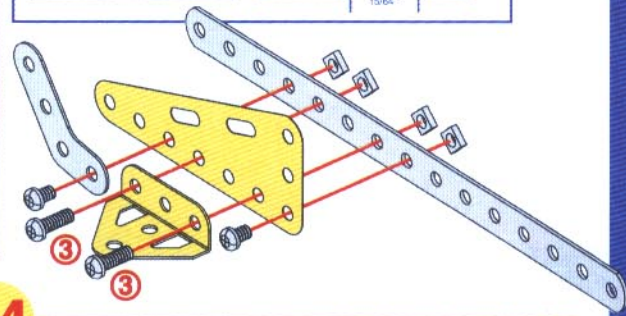
11 9+ 10+

-  x2
-  5,8 mm 15/64" x2



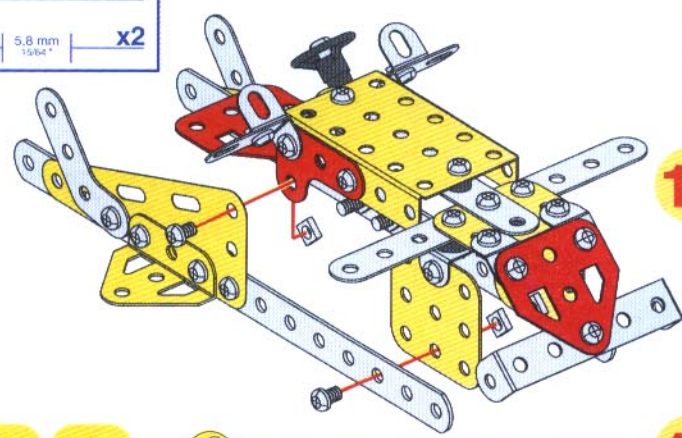
12

-  x1
-  x1
-  x1
-  x1
-  x4
-  12 mm 1/2" x2
-  5,8 mm 15/64" x2






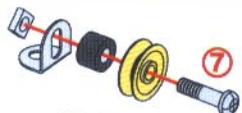
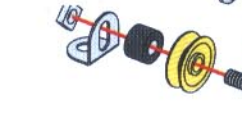


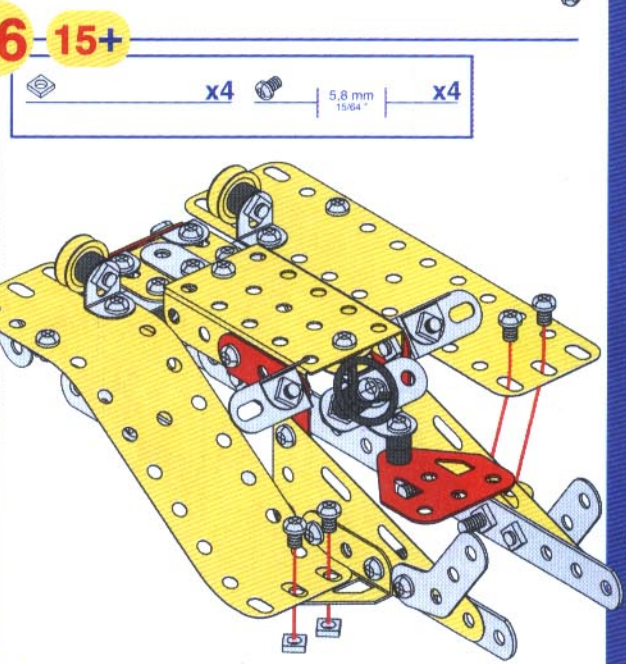
13 11+ 12+

-  x2
-  5,8 mm 15/64" x2

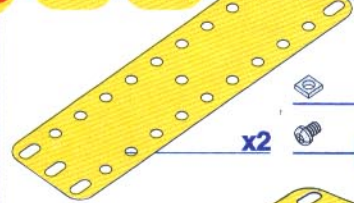




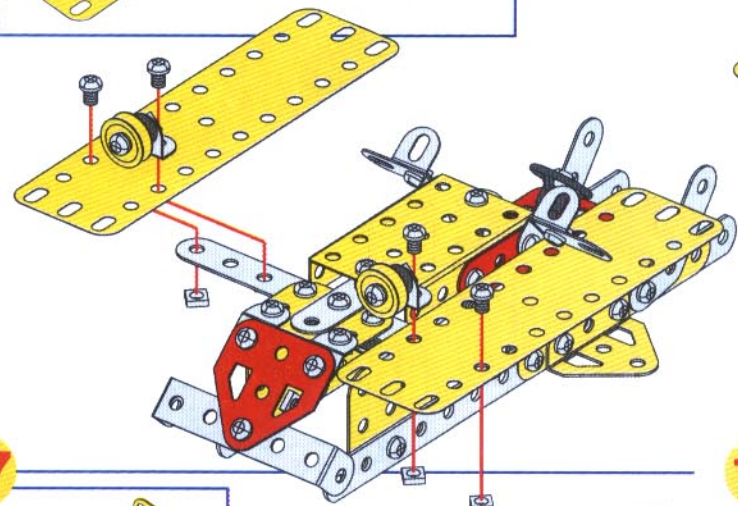
14

-  x2
-  x2
-  x2
-  x2
-  14,7 mm 9/16" x2
-  7
-  7



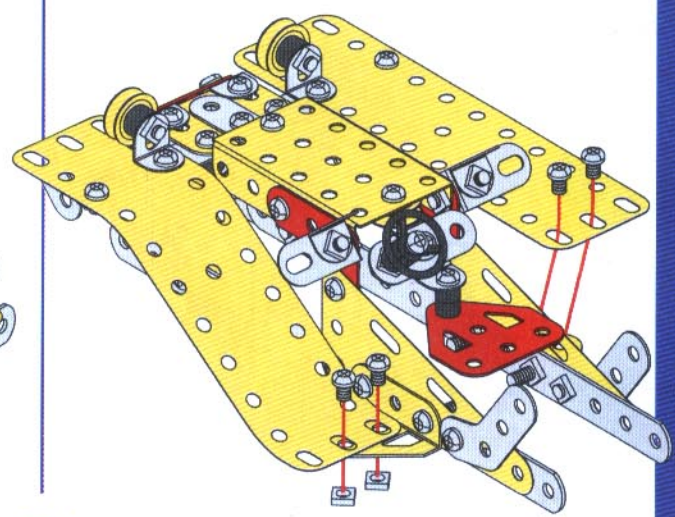
15 13+ 14+

-  x2
-  x4
-  5,8 mm 15/64" x4

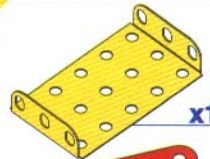





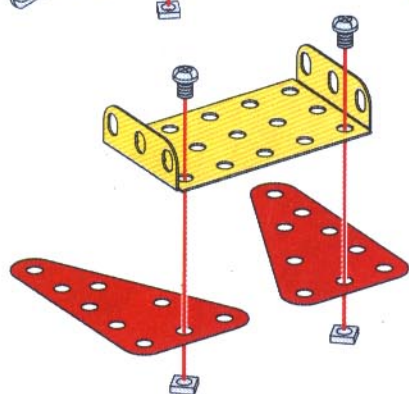
16 15+

-  x4
-  5,8 mm 15/64" x4

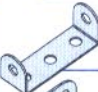





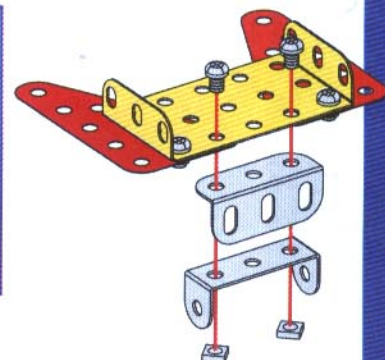
17

-  x1
-  x2
-  x2
-  5,8 mm 15/64" x2

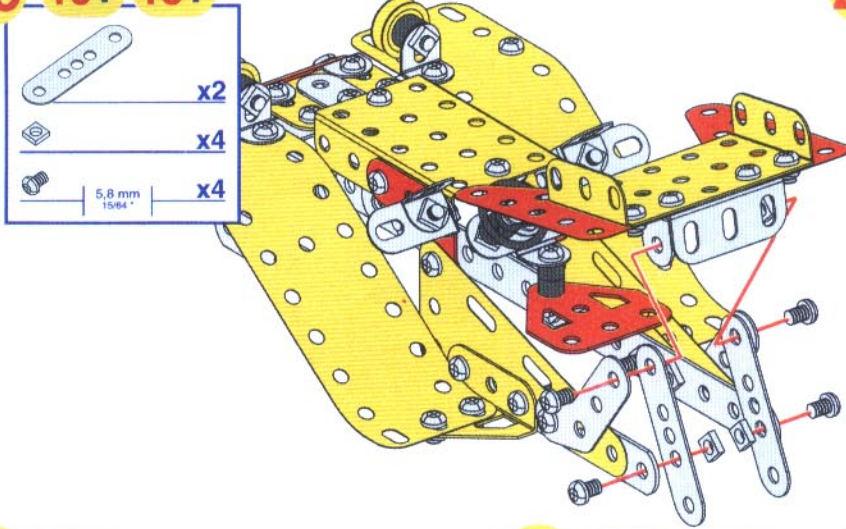


18 17+

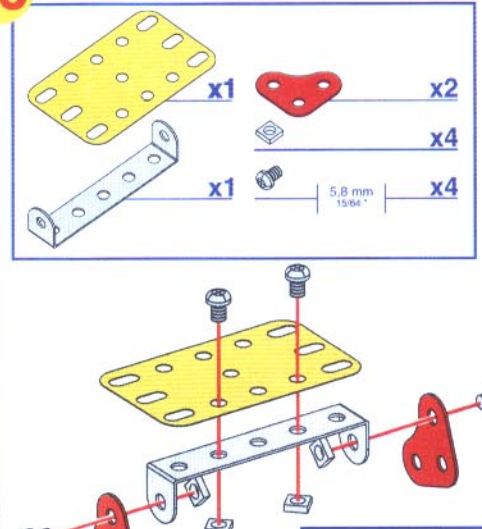
-  x1
-  x1
-  x2
-  5,8 mm 15/64" x2



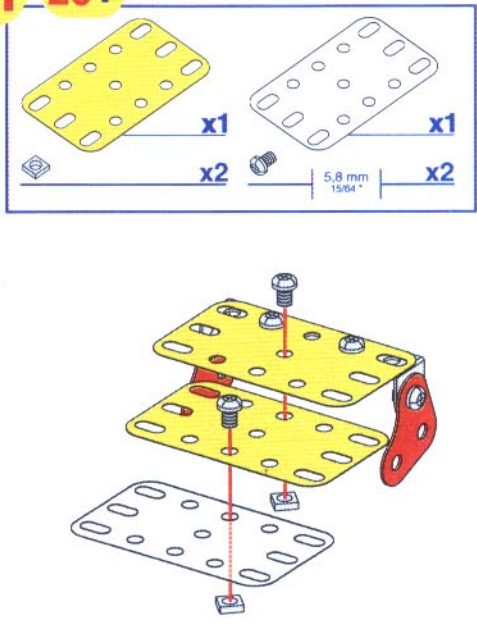
19 16+ 18+



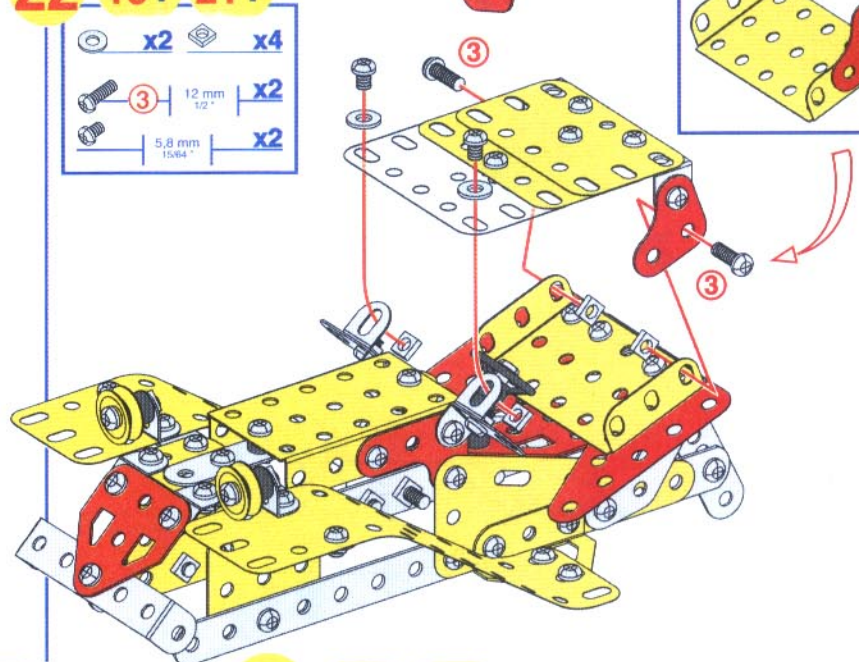
20



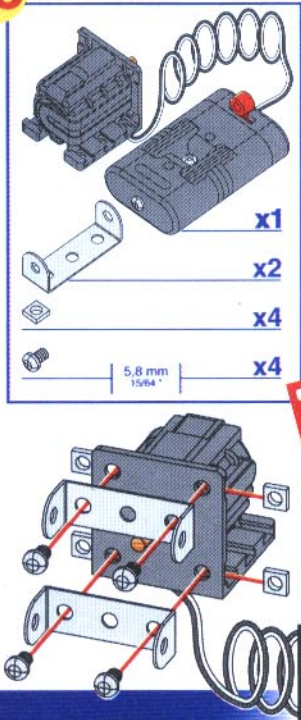
21 20+



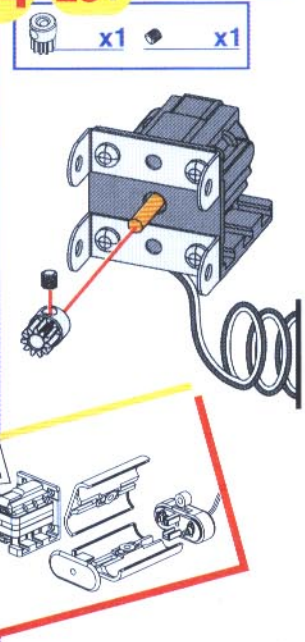
22 19+ 21+



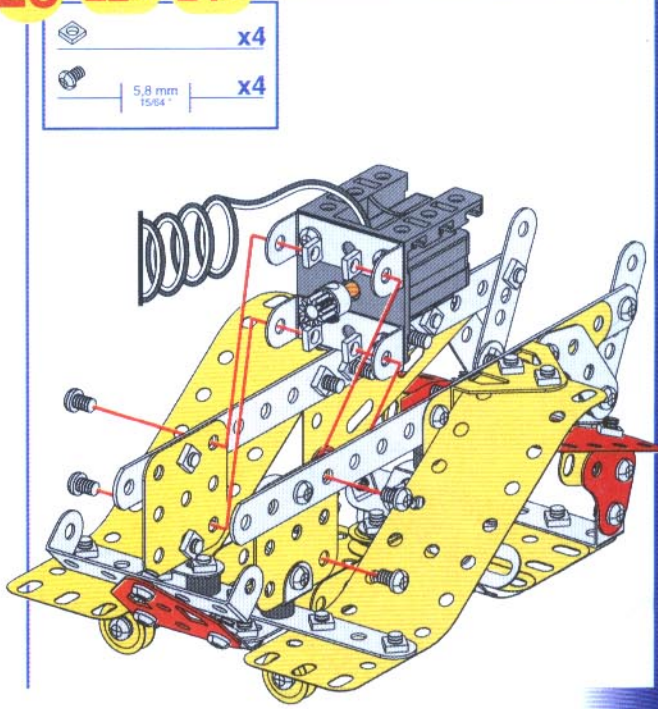
23



24 23+

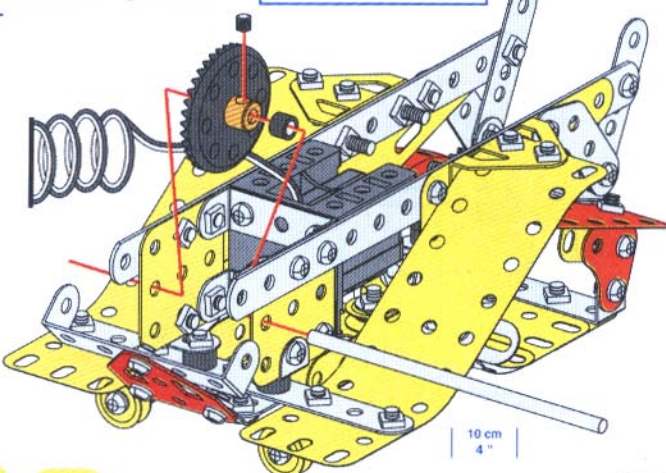
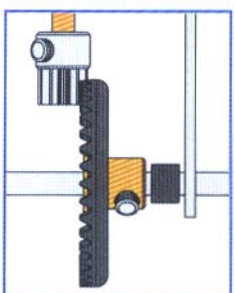


25 22+ 24+



26 25+

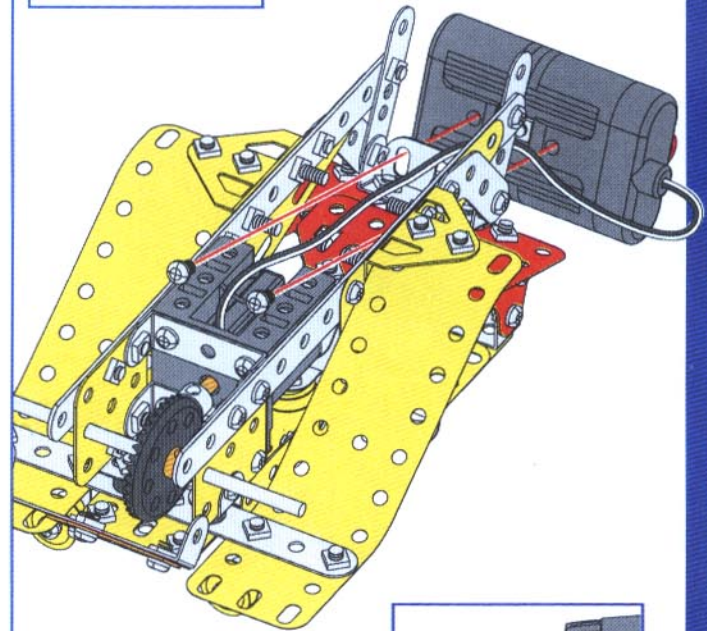
- 10 cm 4" x1
- x1
- x1
- x1
- x1



10 cm 4"

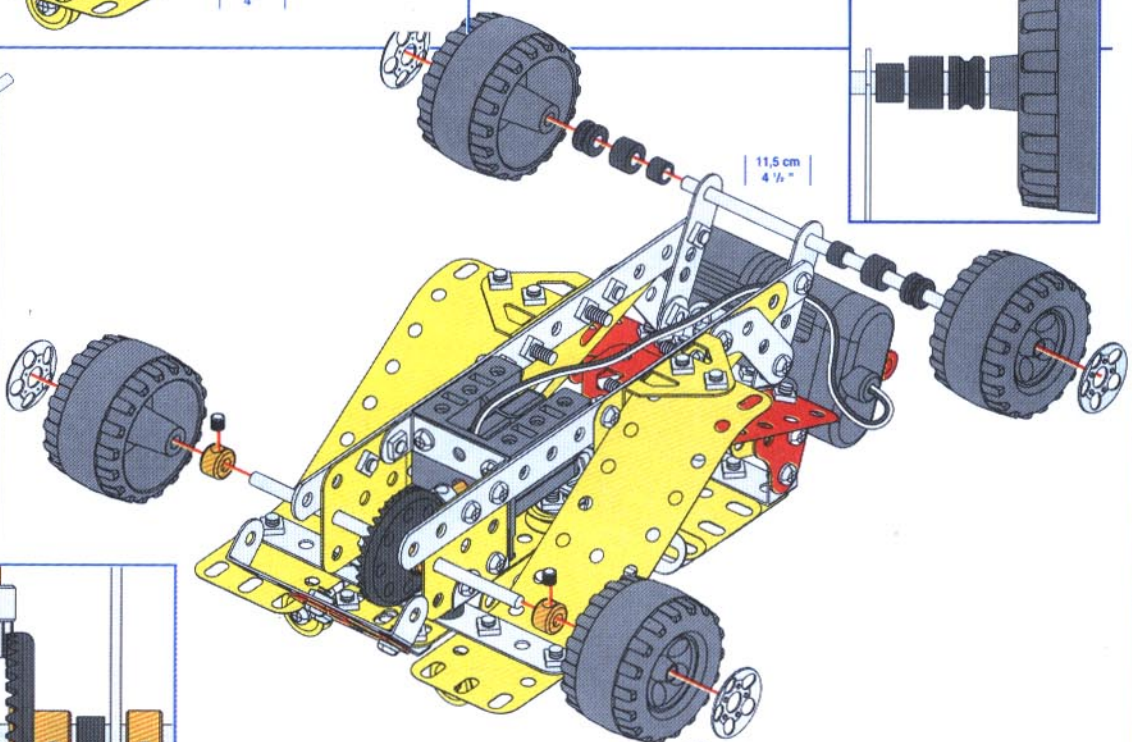
27 26+

- 5,8 mm 1/8" x2



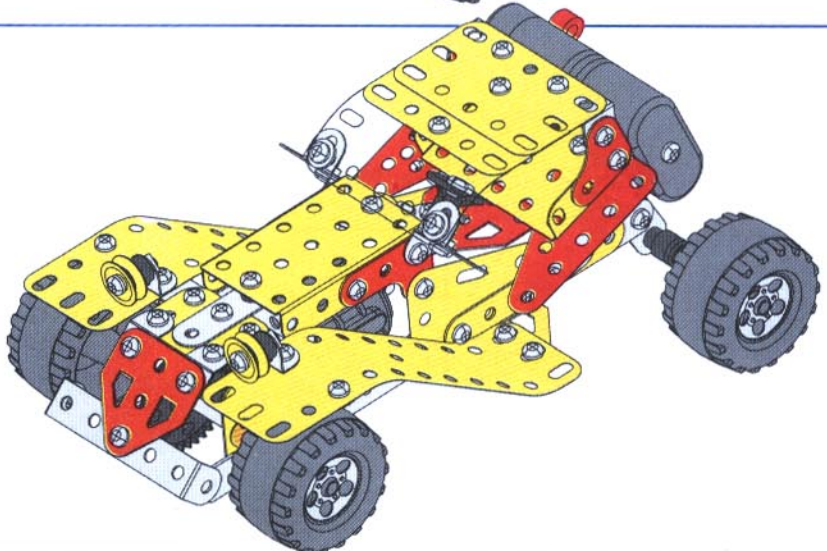
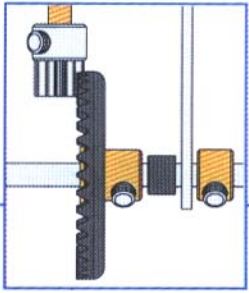
28 27+

- 11,5 cm 4 1/2" x1
- x4
- x4
- x2
- x2
- x2
- x2
- x2
- x2



11,5 cm 4 1/2"

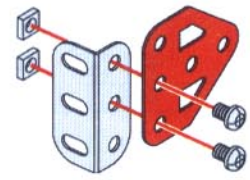
29





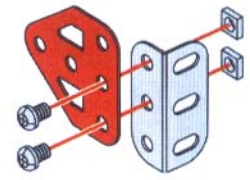
1

	x1
	x1
	x2
	x2



2

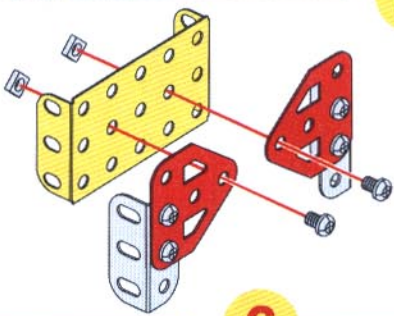
	x1
	x1
	x2
	x2



3

1+ 2+

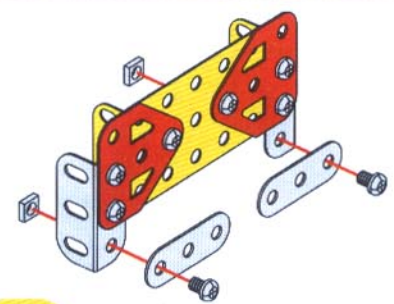
	x1
	x2
	x2



4

3+

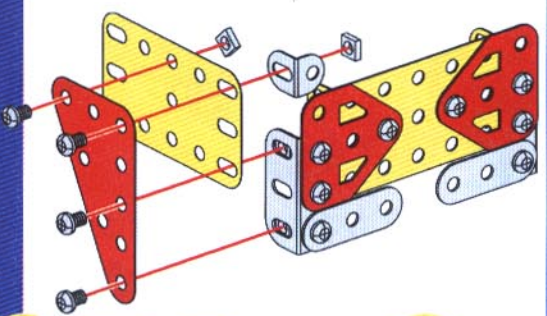
	x2
	x2
	x2



5

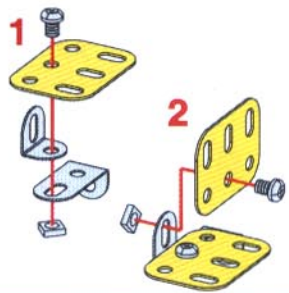
4+

	x1
	x1
	x4
	x1
	x4



6

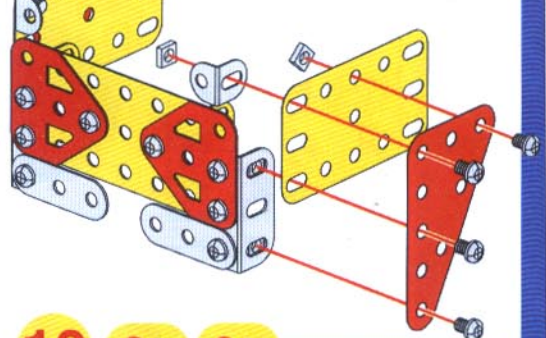
	x2
	x1
	x1
	x2
	x2



7

5+

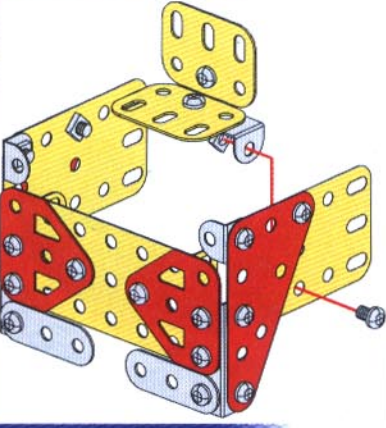
	x1
	x1
	x1
	x4
	x4



8

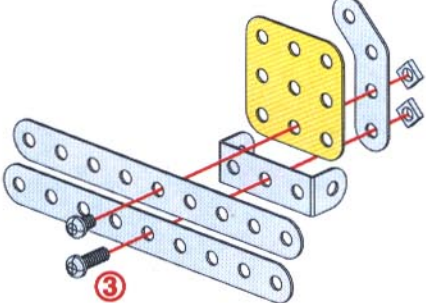
6+ 7+

	x1
	x1



9

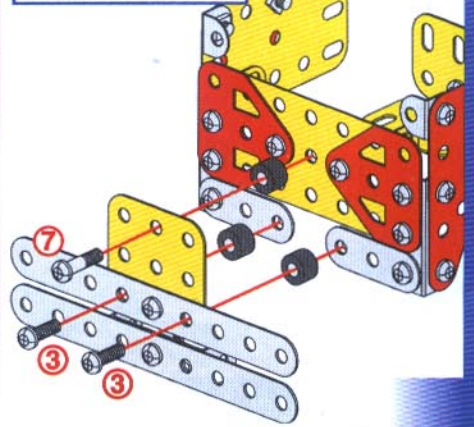
	x2
	x1
	x1
	x2
	x1
	x1

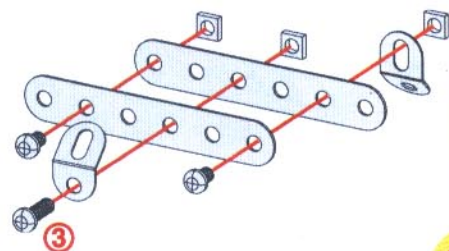
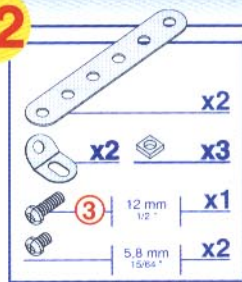
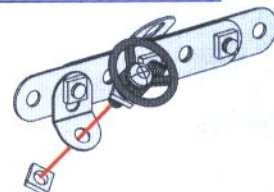
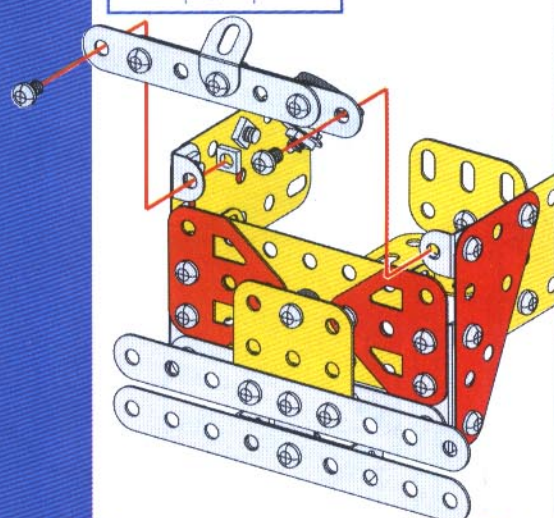
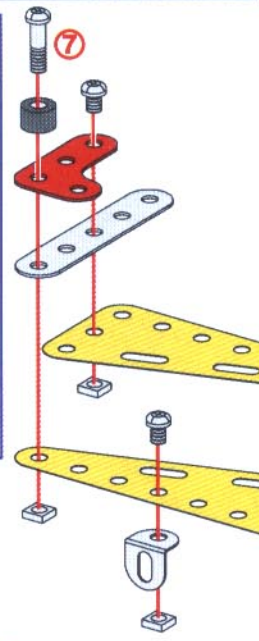
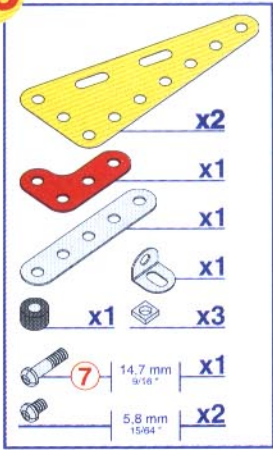
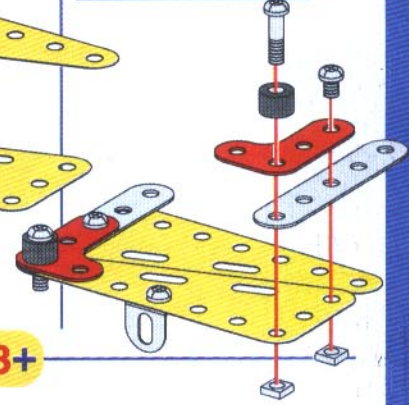
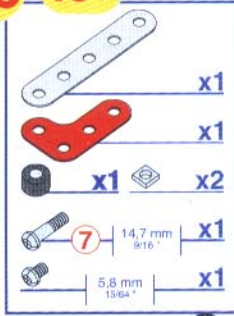
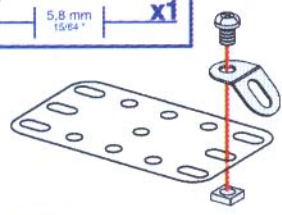
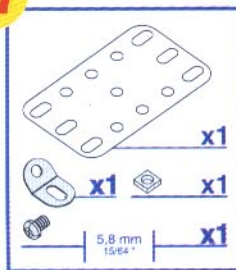
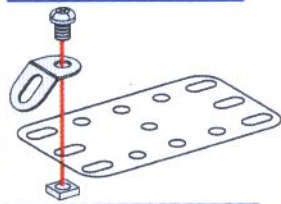
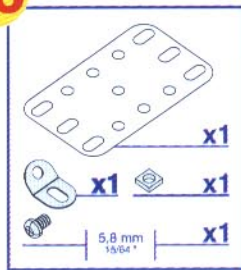
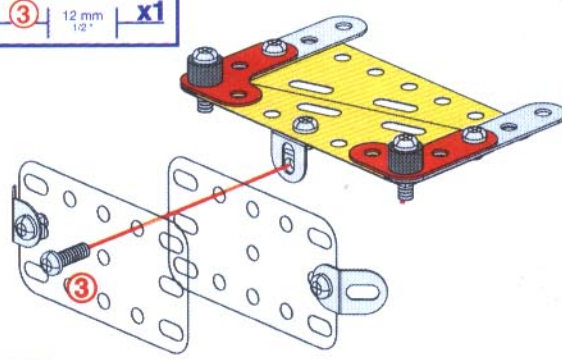
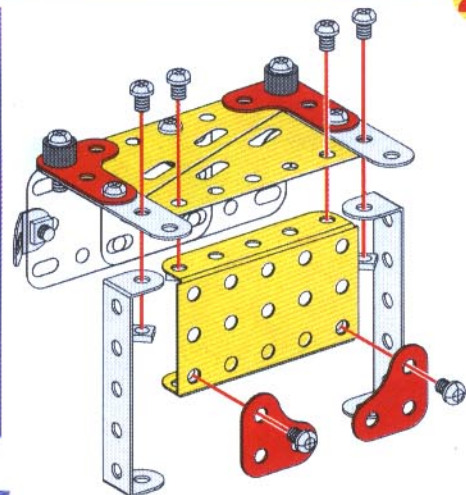
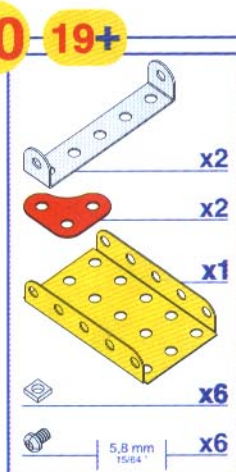
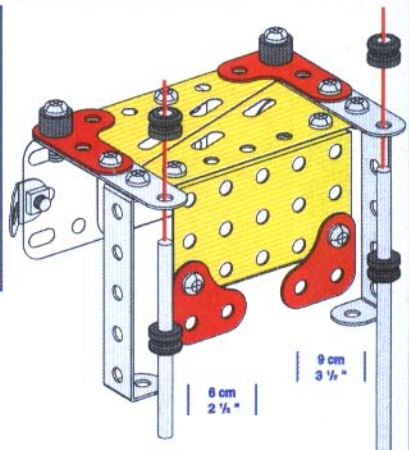
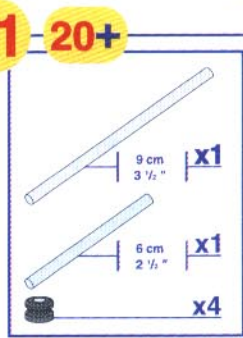


10

8+ 9+

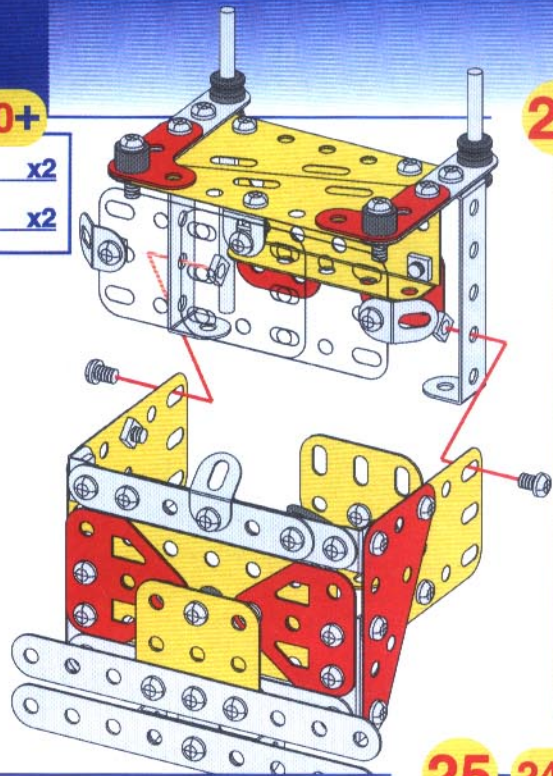
	x3
	x3
	x1
	x2



11**12****13****11+ 12+****14****15****16****15+****17****18****19****20****21**

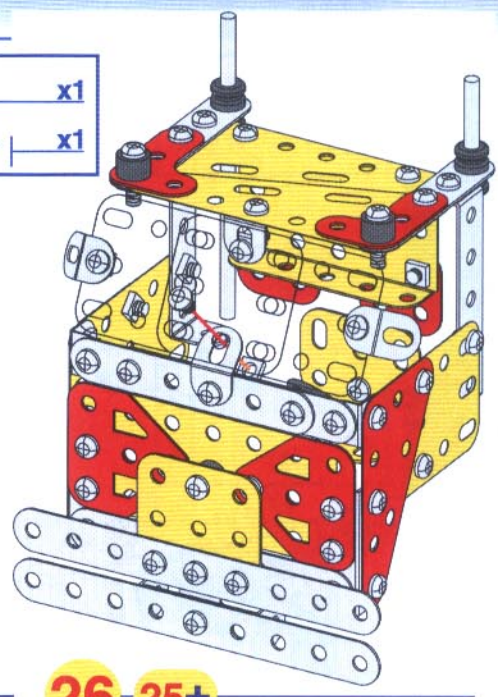
22 14+ 20+

- x2
- 5,8 mm 15/64" x2



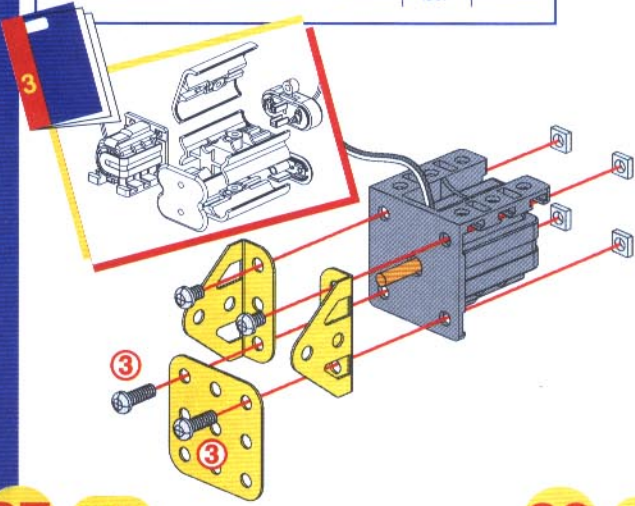
23 22+

- x1
- 5,8 mm 15/64" x1



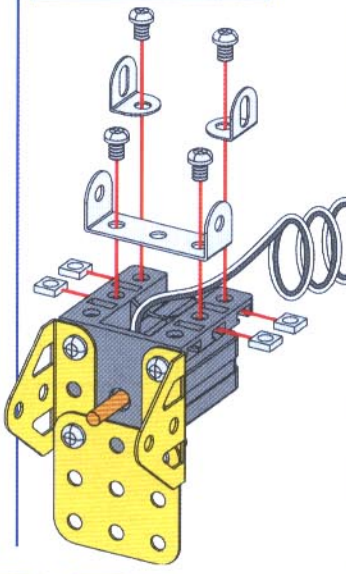
24

- x1
- x1
- x2
- 12 mm 1/2" x2
- 5,8 mm 15/64" x2
- x4



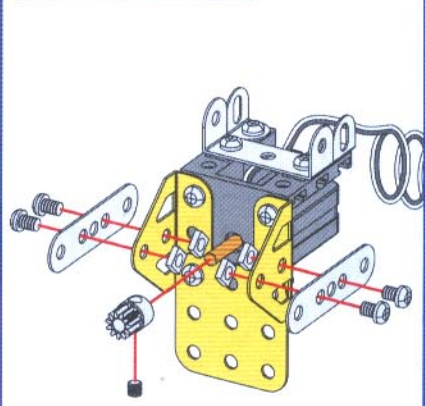
25 24+

- x1
- x2
- 5,8 mm 15/64" x4
- x4



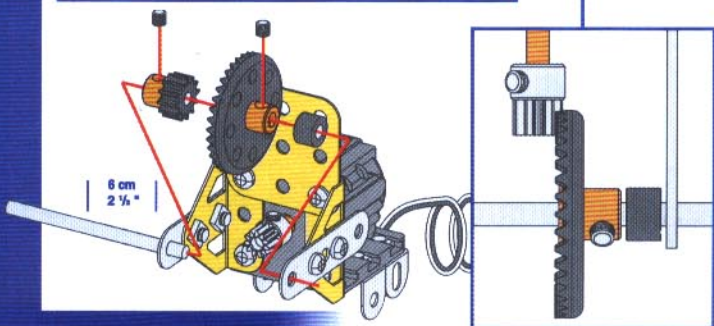
26 25+

- x2
- x4
- 5,8 mm 15/64" x1
- x1
- 5,8 mm 15/64" x4



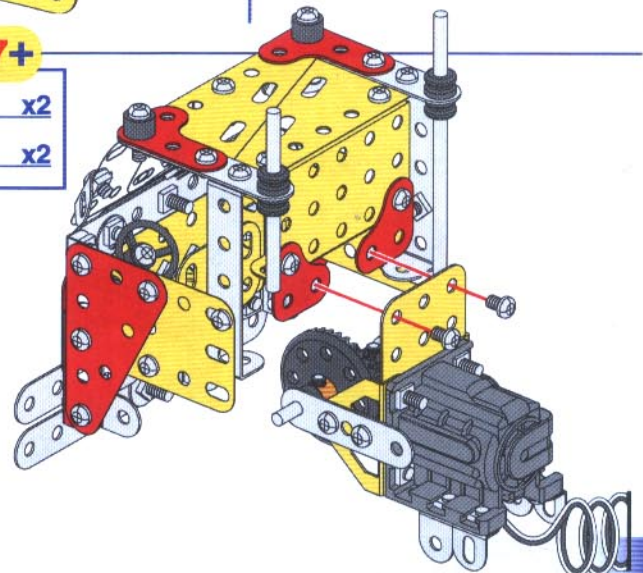
27 26+

- 6 cm 2 1/8" x1
- x1
- x1
- x1
- x2

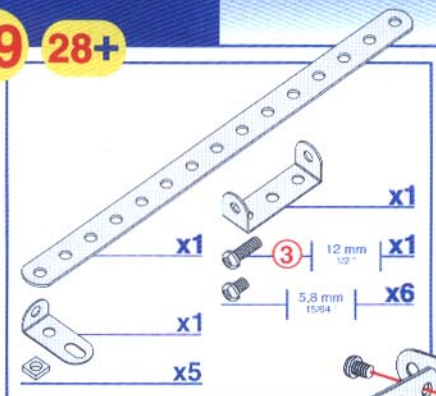


28 23+ 27+

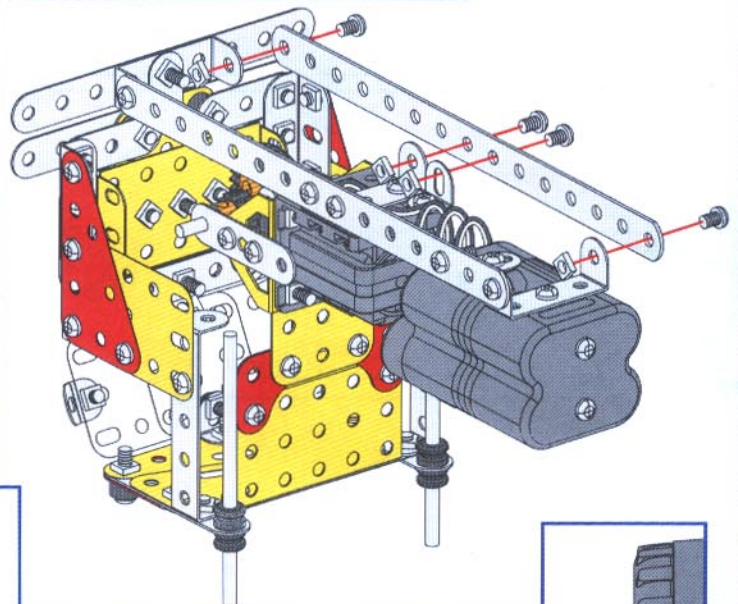
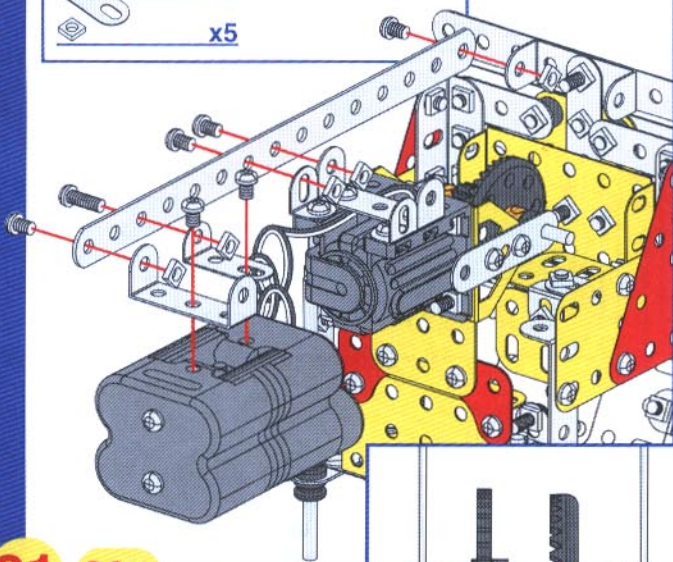
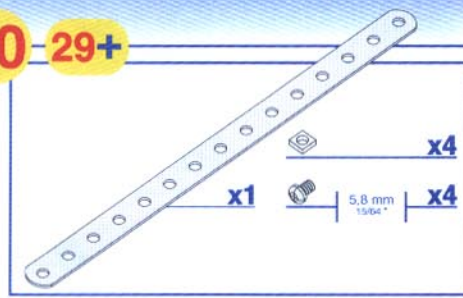
- x2
- 5,8 mm 15/64" x2



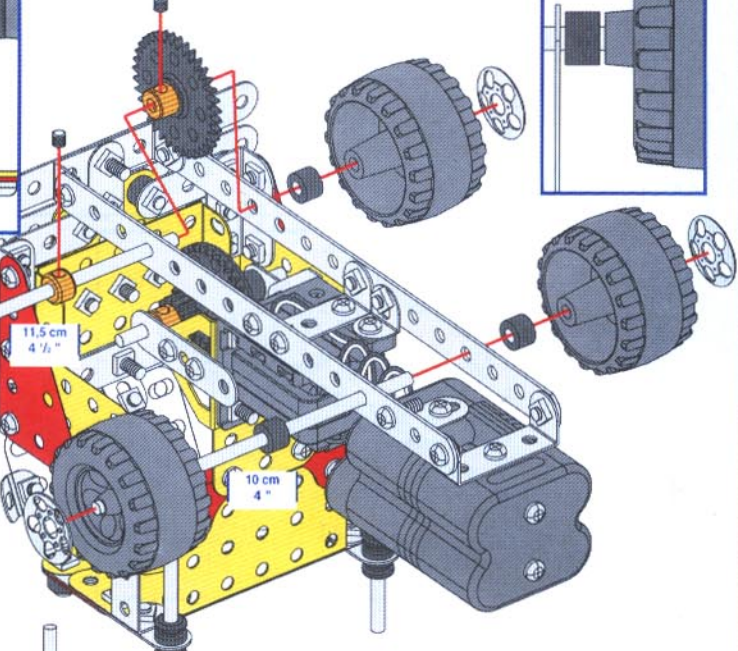
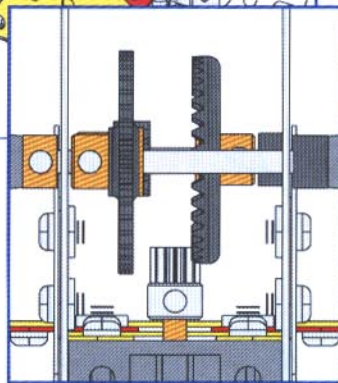
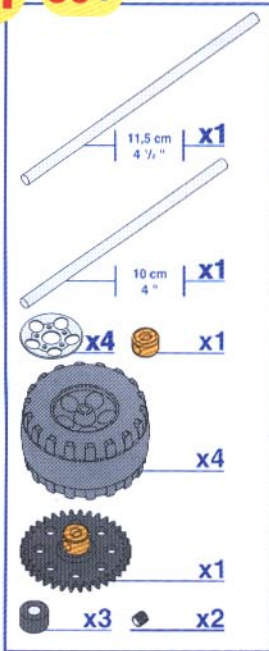
29 28+



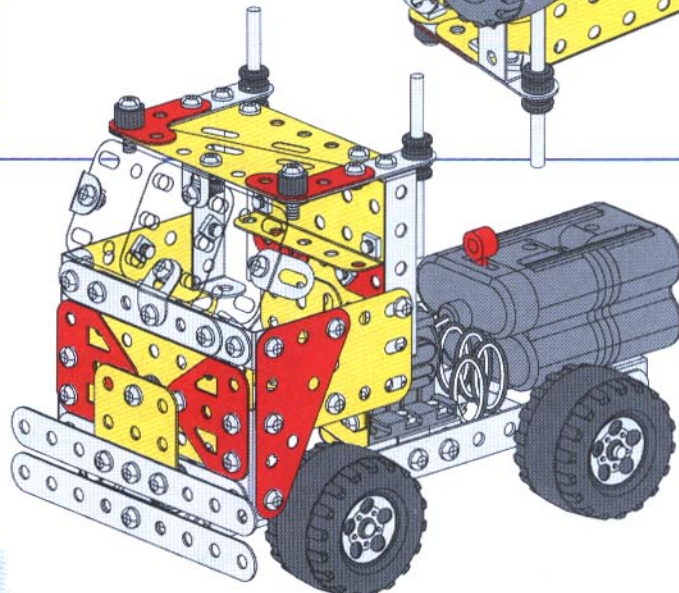
30 29+



31 30+

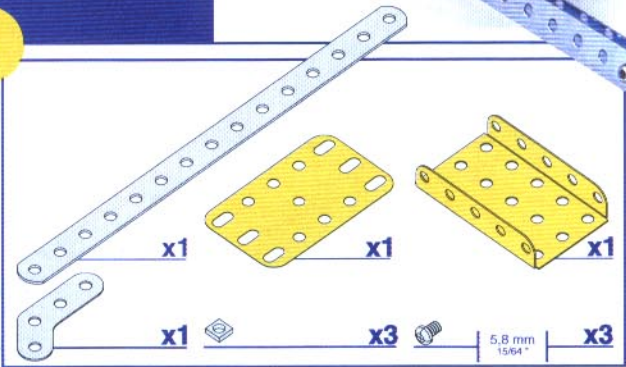


32



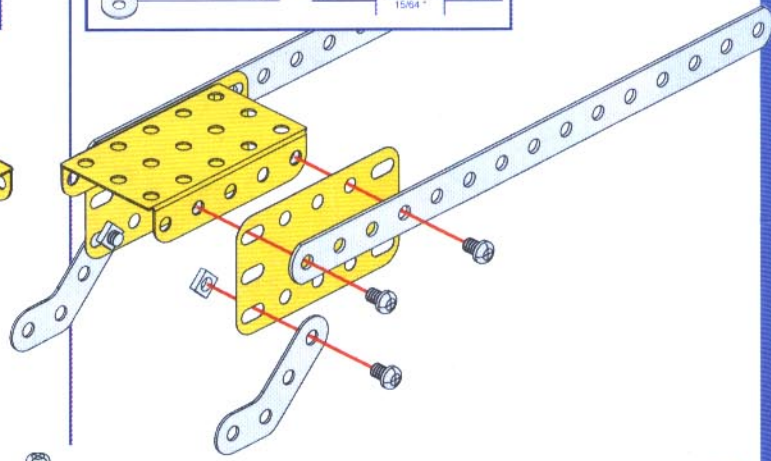
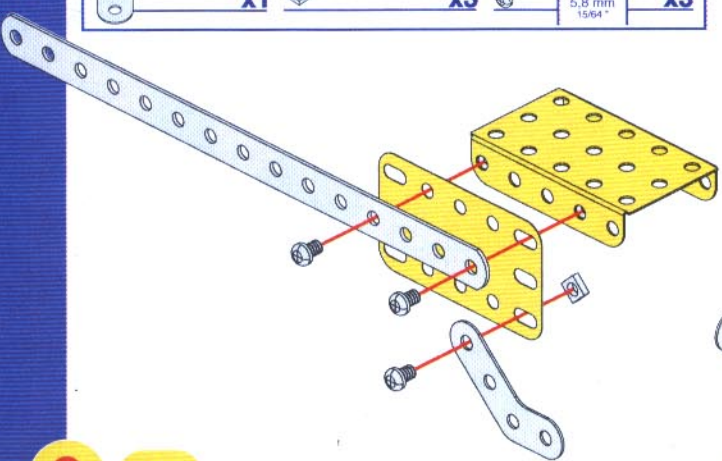
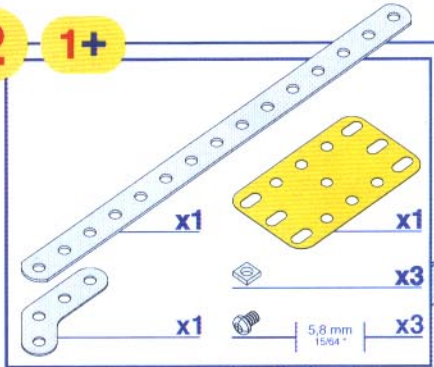


1



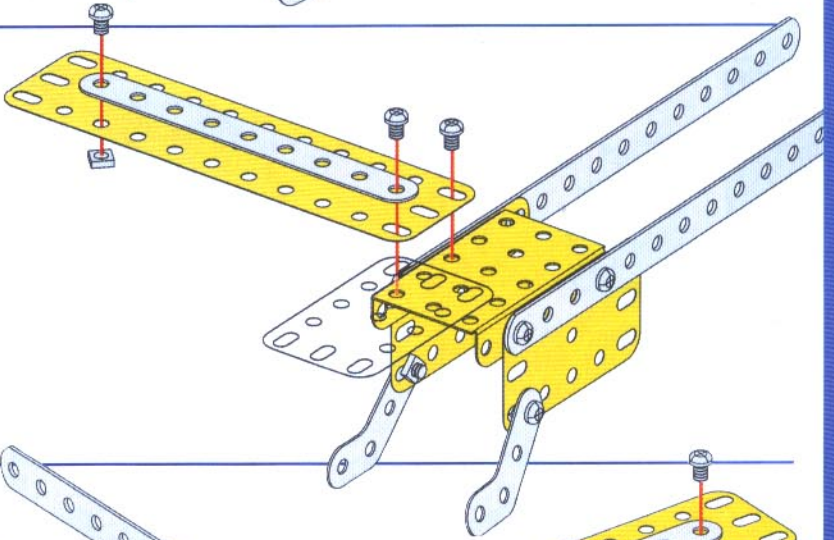
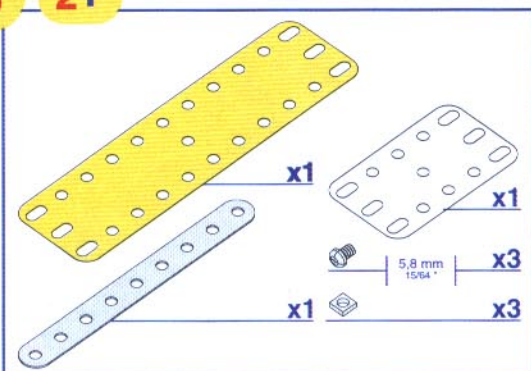
2

1+



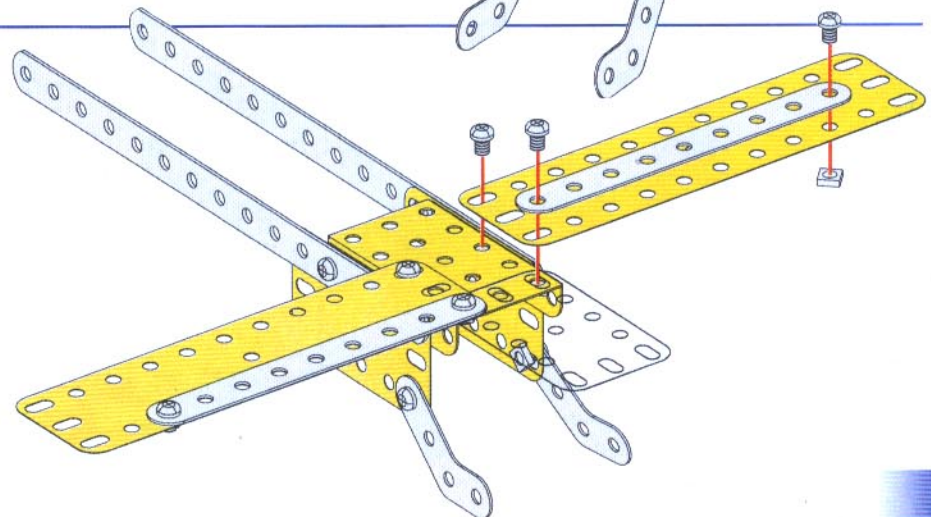
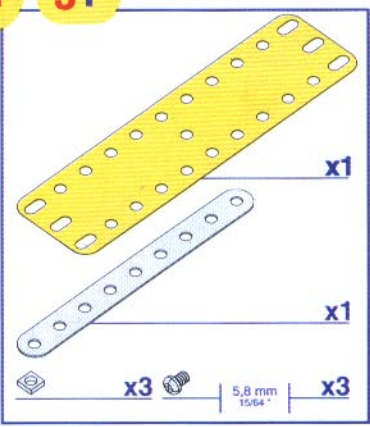
3

2+

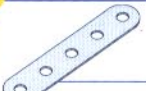






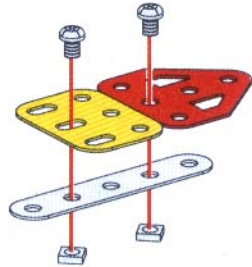
4

3+





5

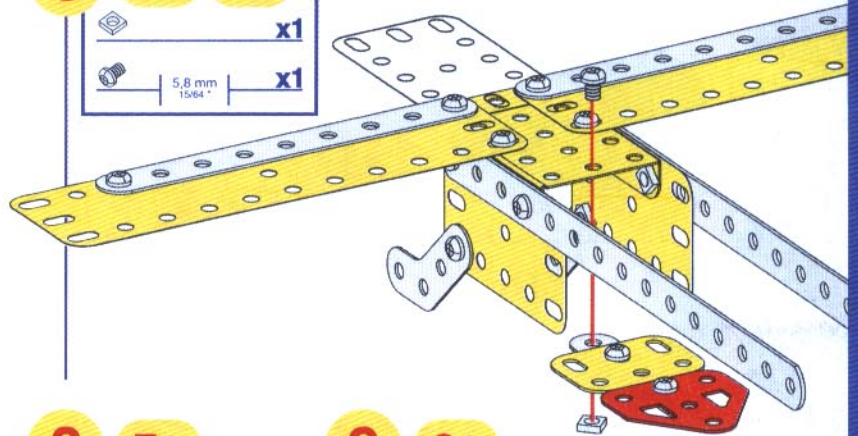
-  x1
-  x1
-  x1
-  x2
-  x2











6

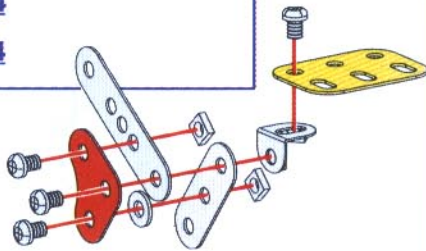
4+ 5+

-  x1
-  x1



7

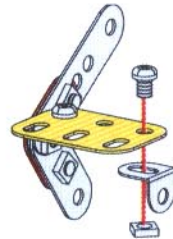
-  x1
-  x1
-  x1
-  x1
-  x1
-  x1
-  x4
-  x4



8


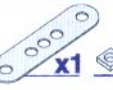




7+

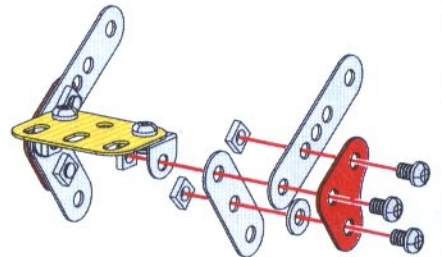
-  x1
-  x1
-  x1



9


8+

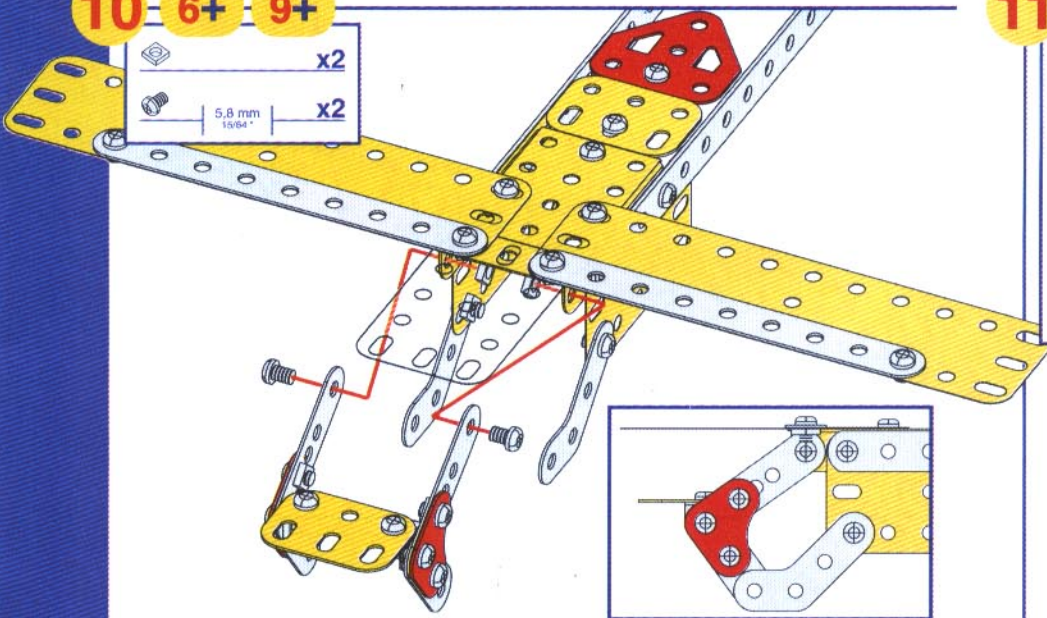
-  x1
-  x1
-  x3
-  x1
-  x1
-  x3








10

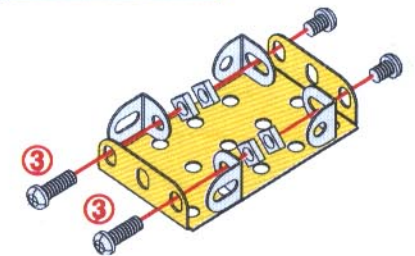
6+ 9+

-  x2
-  x2









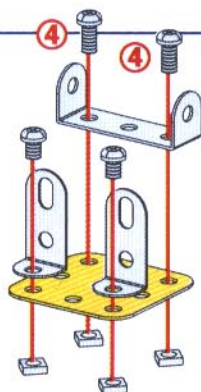
11

-  x1
-  x4
-  x4
-  x2
-  x2




12

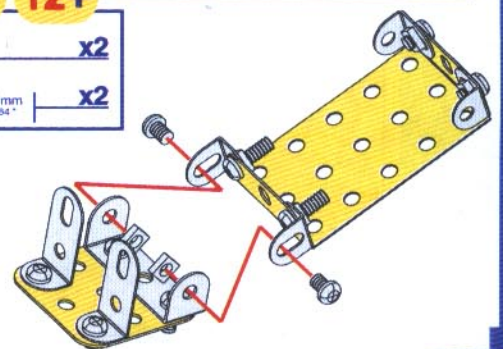
-  x1
-  x1
-  x2
-  x2
-  x4
-  x2



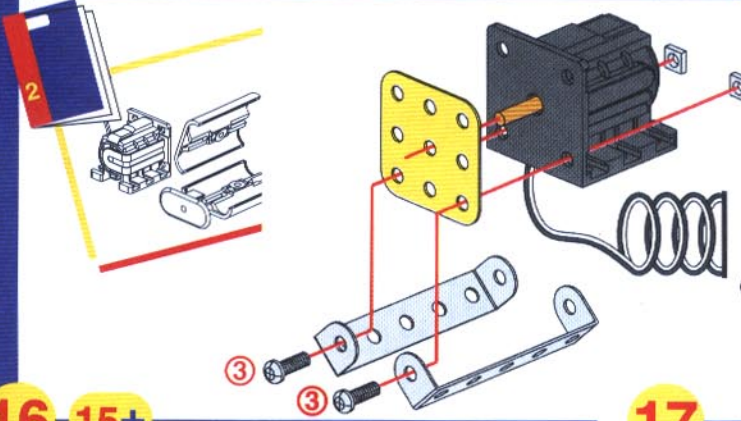
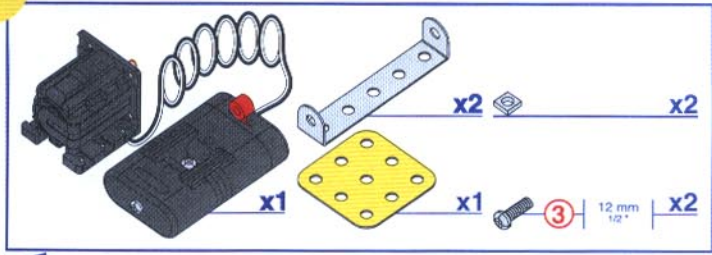
13

11+ 12+

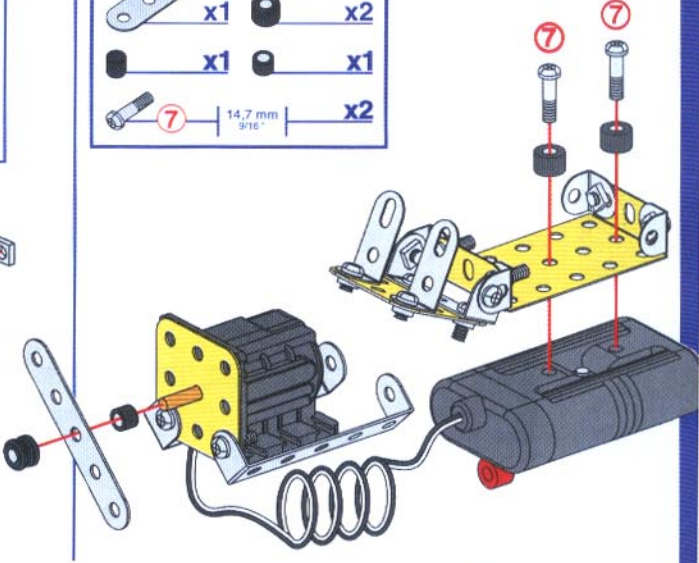
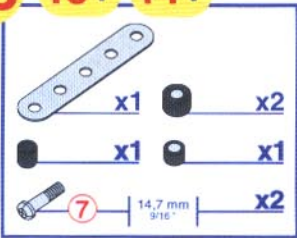
-  x2
-  x2



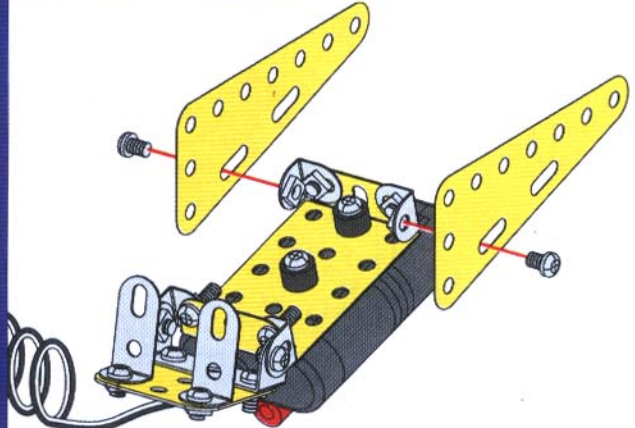
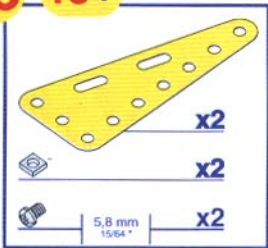
12



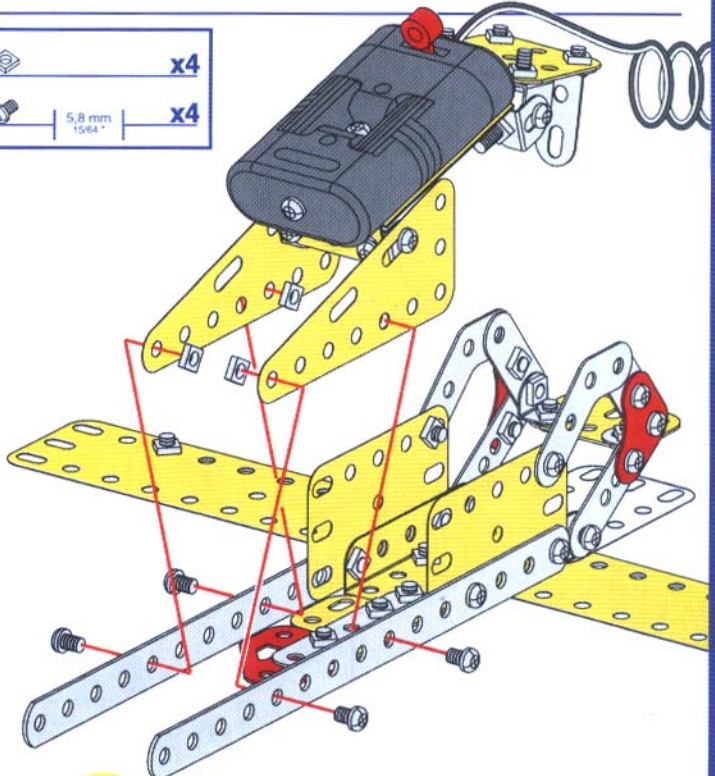
15 13+ 14+



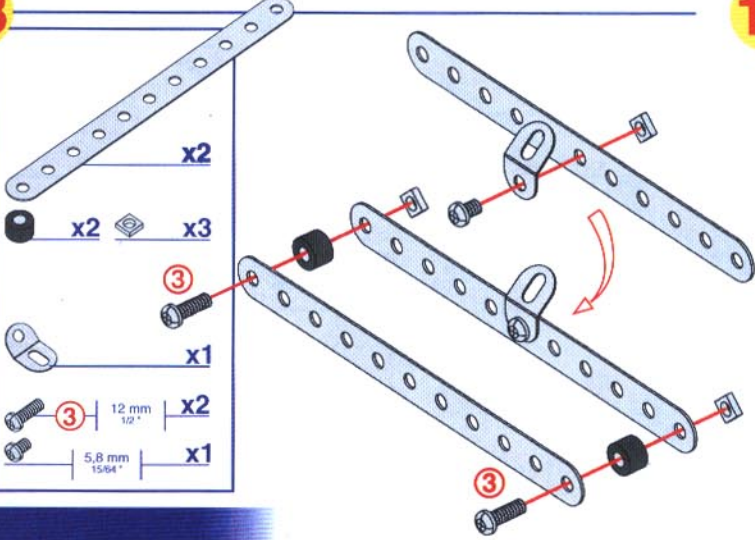
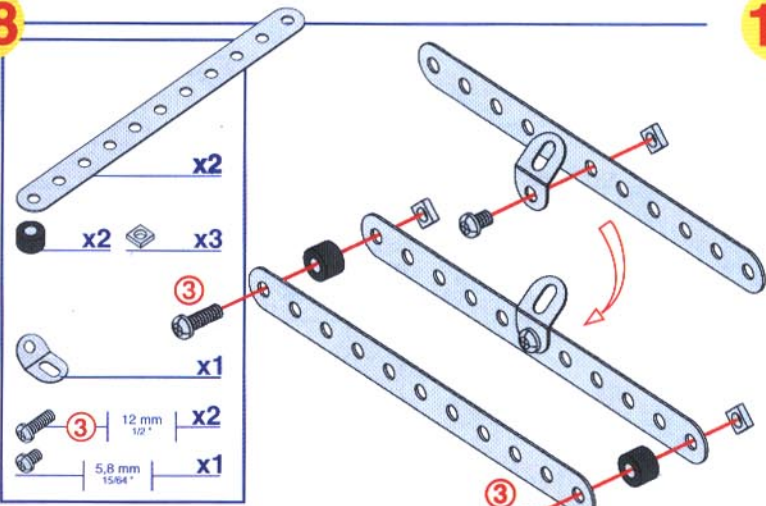
16 15+



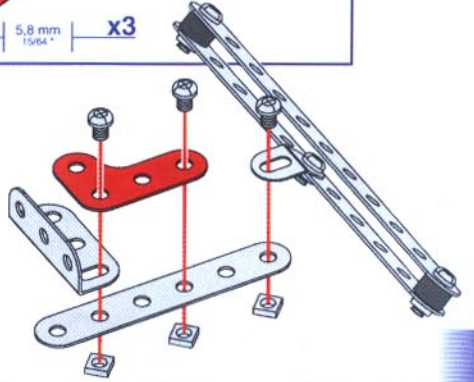
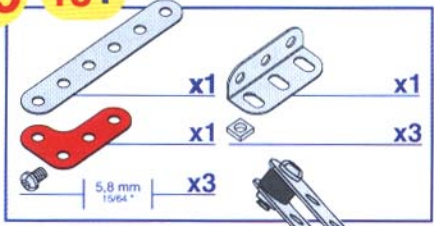
17



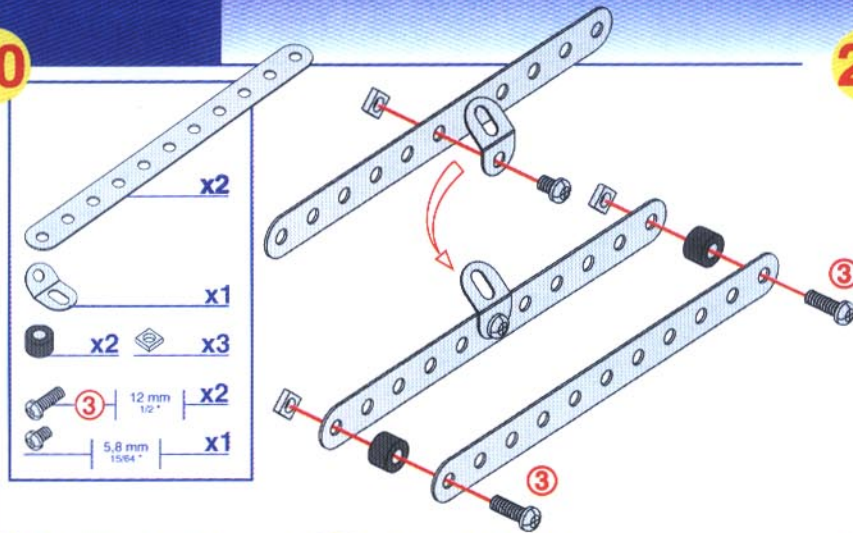
18



19 18+

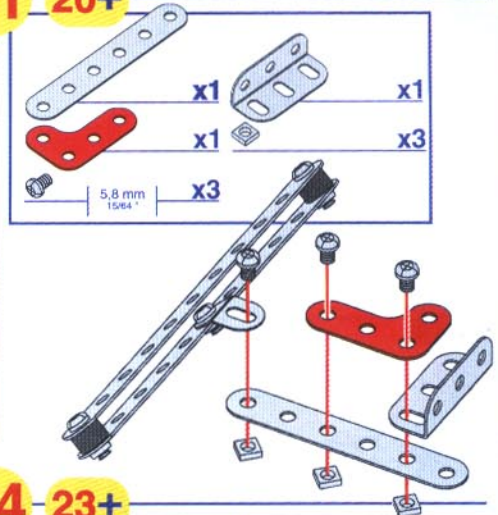


20



- x2
- x1
- x2
- x3
- 12 mm $\frac{1}{2}$ " x2
- 5,8 mm $\frac{15}{64}$ " x1

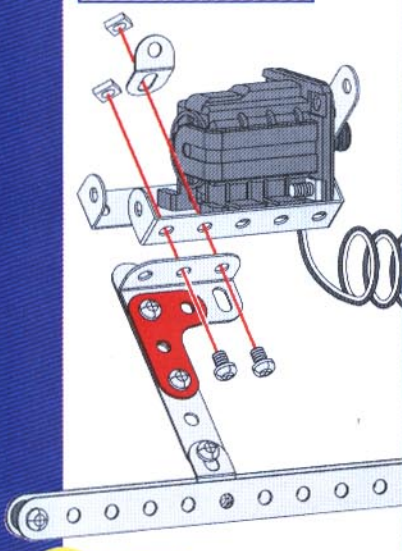
21 20+



- x1
- x1
- x1
- x3
- 5,8 mm $\frac{15}{64}$ " x3

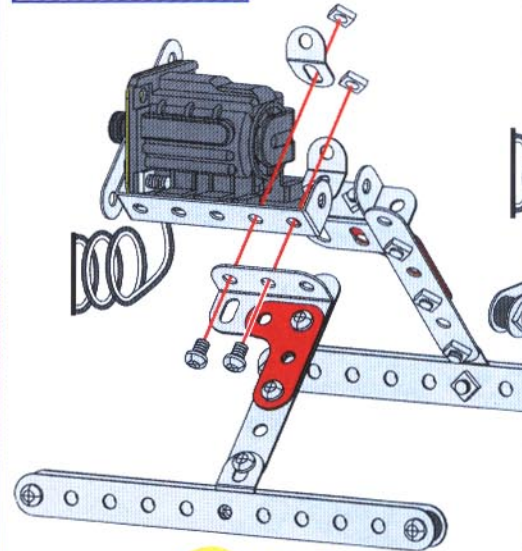
22 17+ 19+

- x1
- x2
- 5,8 mm $\frac{15}{64}$ " x2



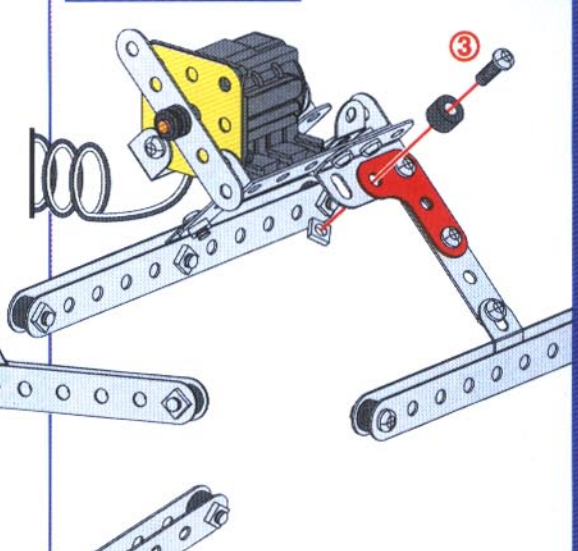
23 21+ 22+

- x1
- x2
- 5,8 mm $\frac{15}{64}$ " x2



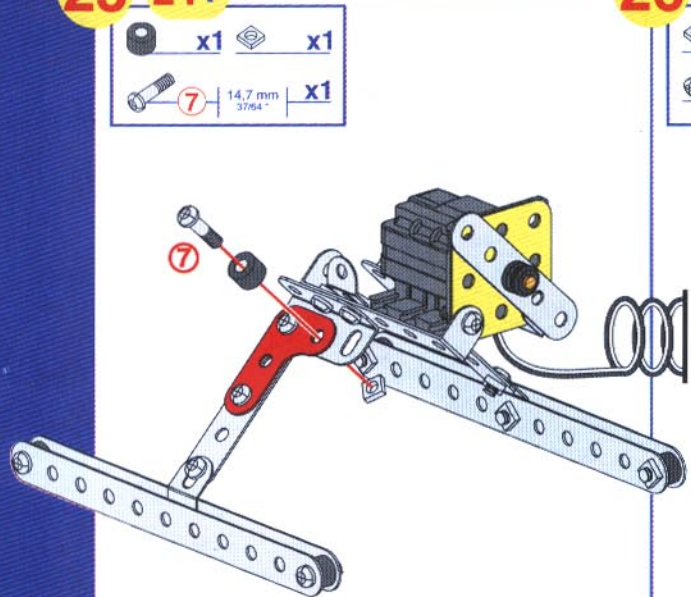
24 23+

- x1
- x1
- 12 mm $\frac{1}{2}$ " x1



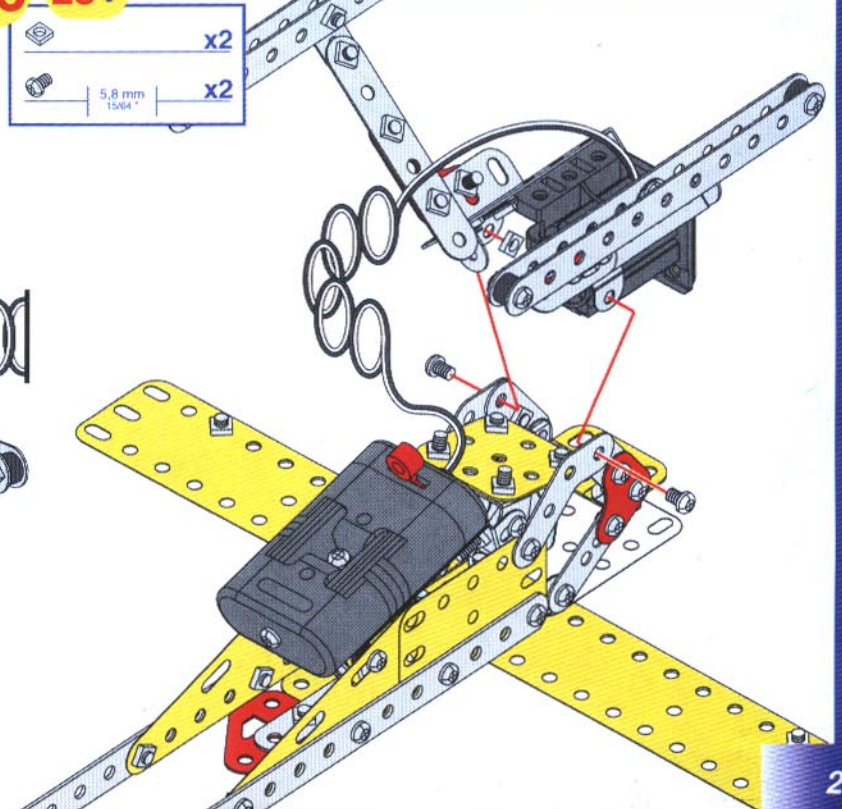
25 24+

- x1
- x1
- 14,7 mm $\frac{37}{64}$ " x1

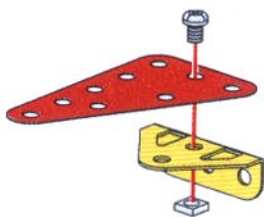
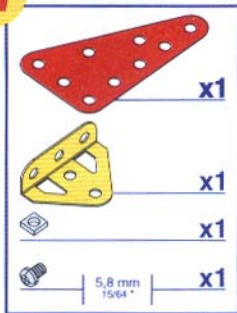


26 25+

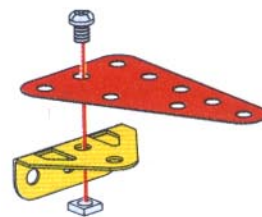
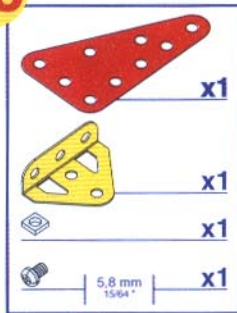
- x2
- 5,8 mm $\frac{15}{64}$ " x2



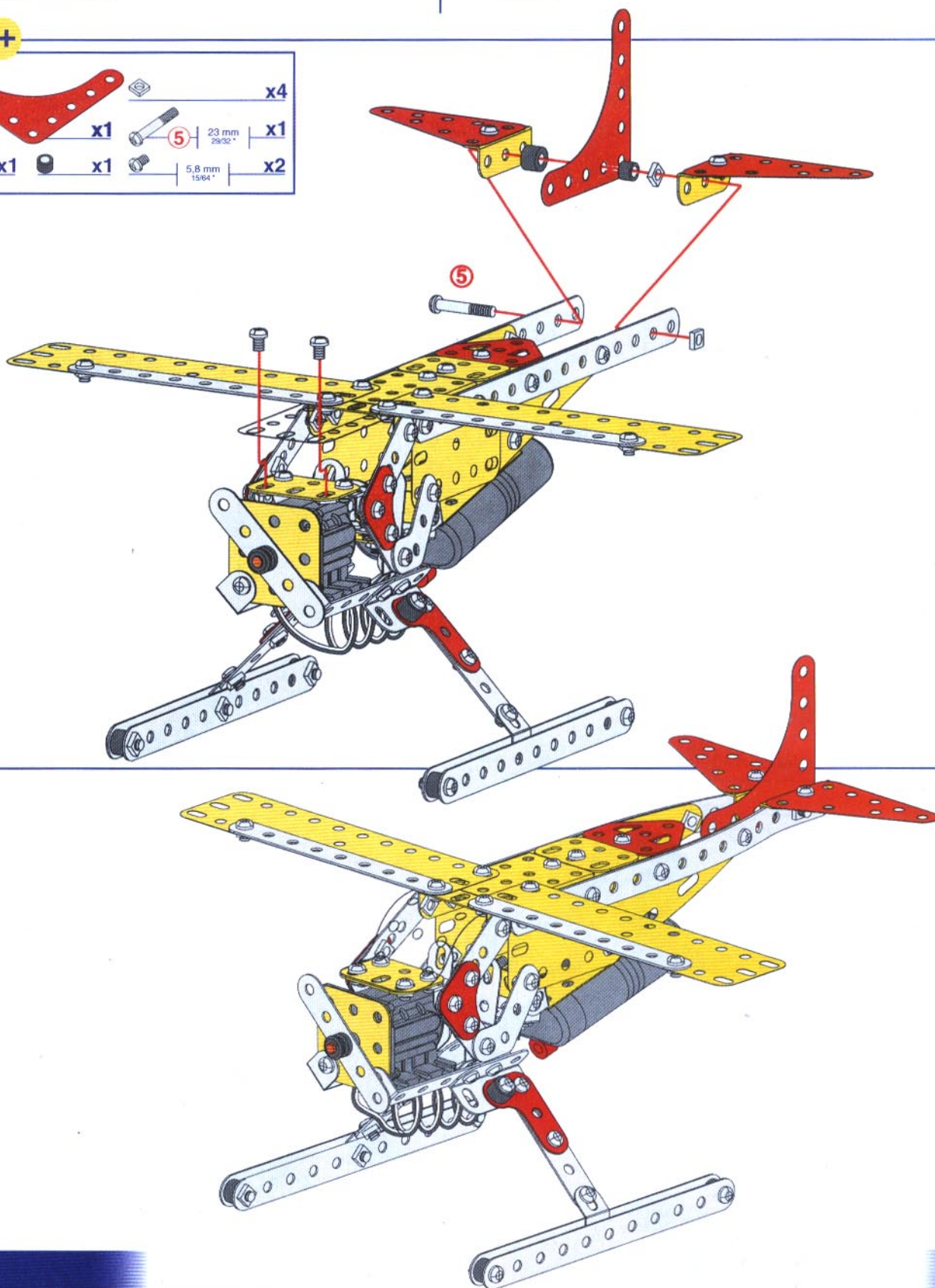
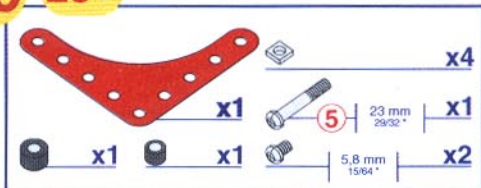
27



28








29 26+

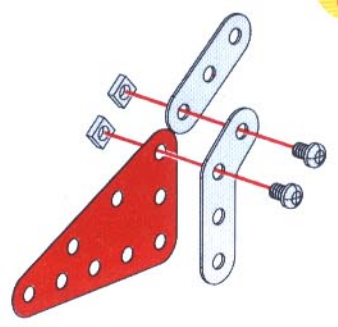


30


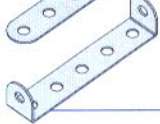




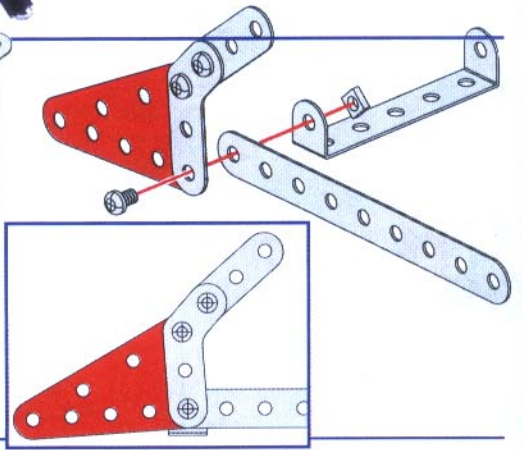
1

-  x1
-  x1
-  x1
-  x2
-  x2

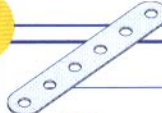






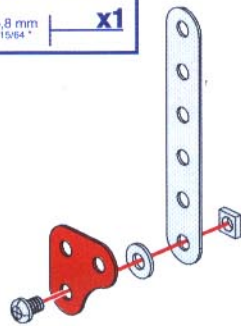
2 1+

-  x1
-  x1
-  x1
-  x1

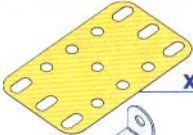
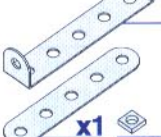
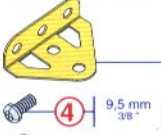






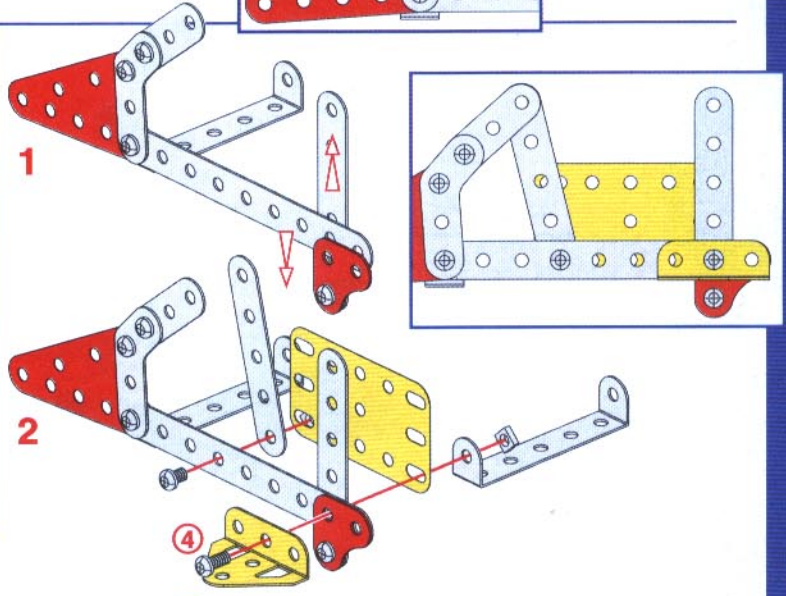
3

-  x1
-  x1
-  x1
-  x1
-  x1

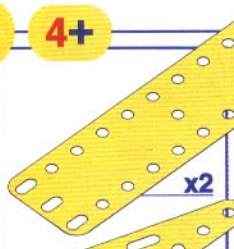
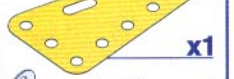





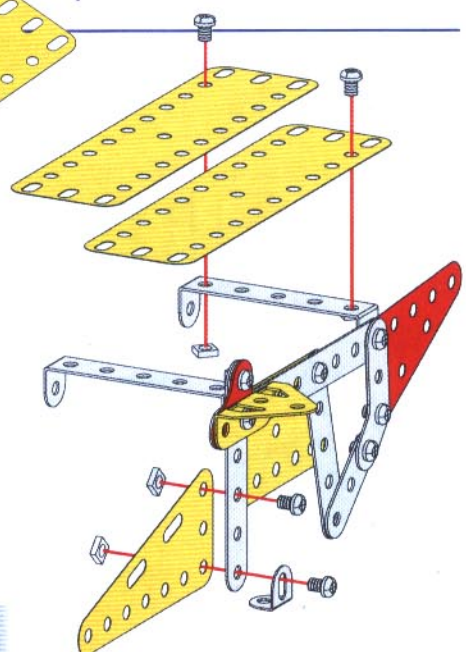
4 2+ 3+

-  x1
-  x1
-  x1
-  x2
-  x1
-  x1
-  x1







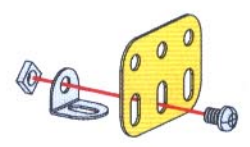
5 4+

-  x2
-  x1
-  x1
-  x4
-  x4



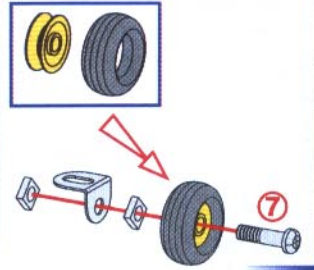
6

-  x1
-  x1
-  x1
-  x1









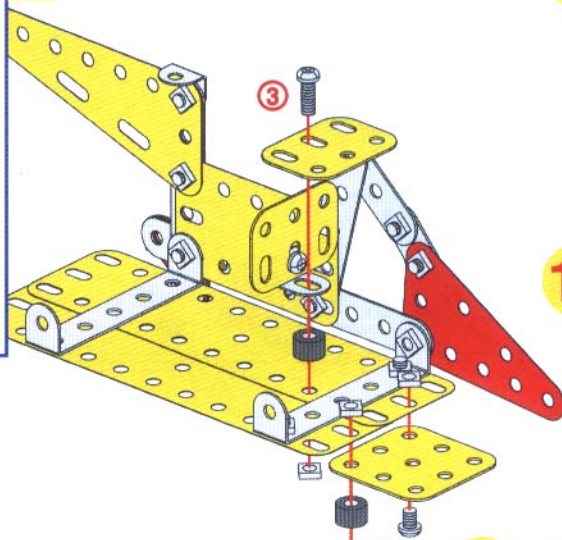
7

-  x1
-  x1
-  x1
-  x2
-  x1







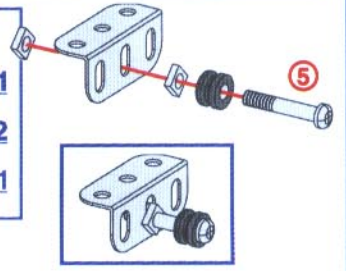
8 5+ 6+ 7+

-  x1
-  x1
-  x2  x3
-  12 mm 1/2" x2
-  5.8 mm 15/64" x1







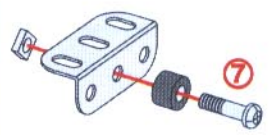
9

-  x1
-  x1  x2
-  23 mm 29/32" x1

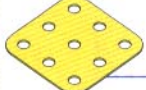






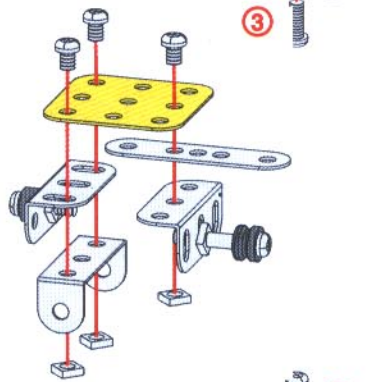
10

-  x1
-  x1  x1
-  14.7 mm 9/16" x1



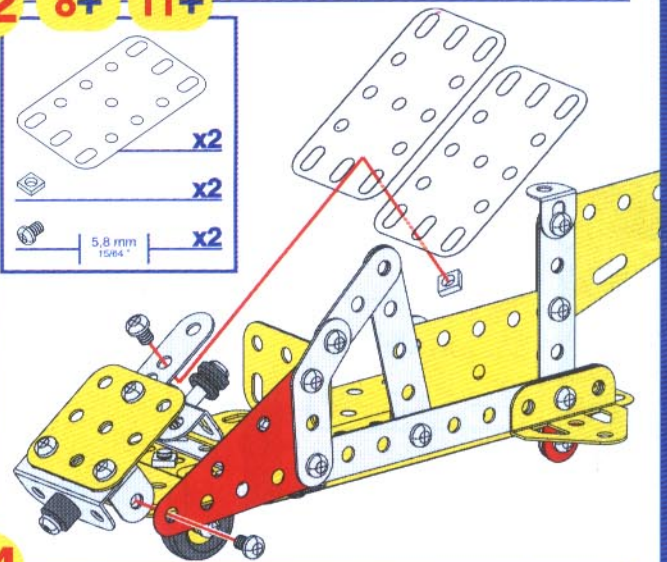
11 9+ 10+

-  x1
-  x1
-  x1
-  x3
-  5.8 mm 15/64" x3

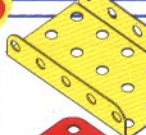





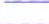


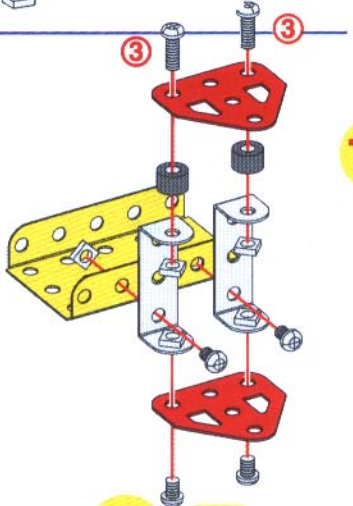
12 8+ 11+

-  x2
-  x2
-  5.8 mm 15/64" x2

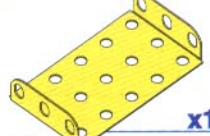


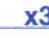



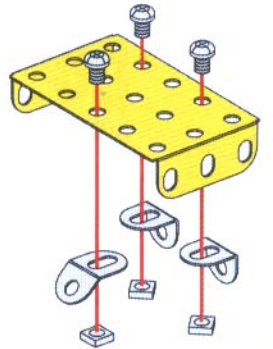
13

-  x1
-  x2
-  x2
-  x2  x6
-  12 mm 1/2" x2
-  5.8 mm 15/64" x4



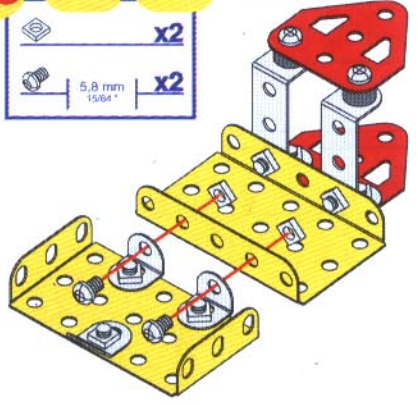
14

-  x1
-  x1
-  x2  x3
-  5.8 mm 15/64" x3





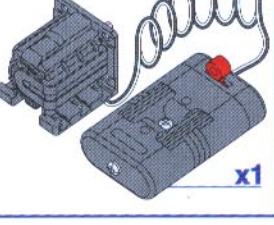


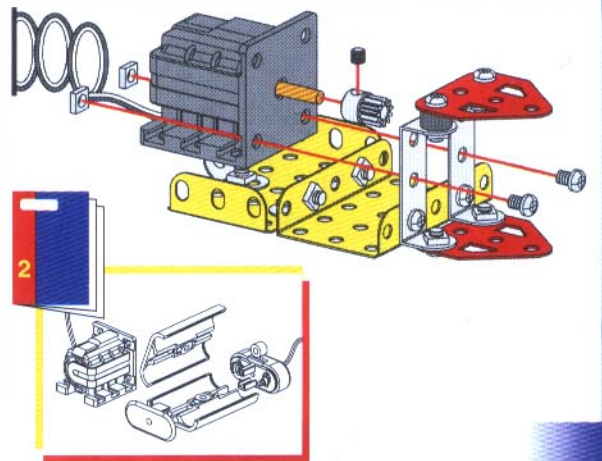
15 13+ 14+

-  x2
-  5.8 mm 15/64" x2



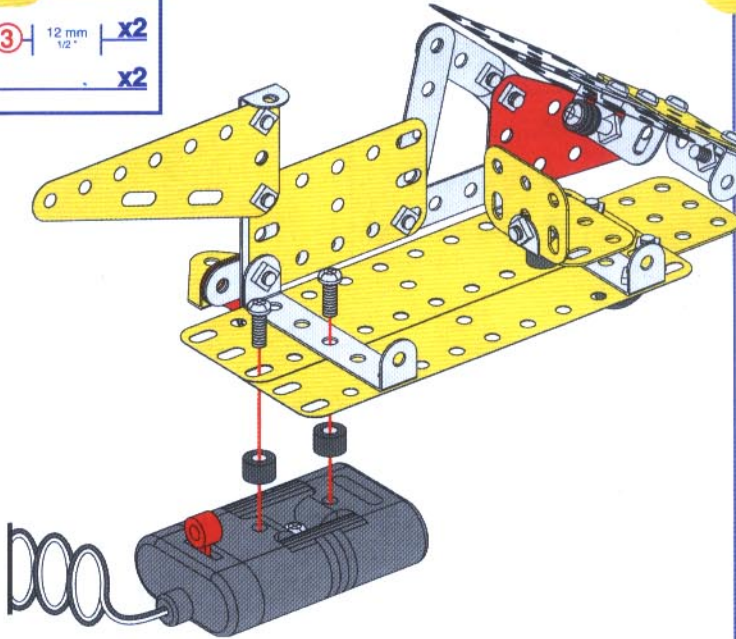
16 15+

-  x1  x1
-  x2
-  5.8 mm 15/64" x2
-  x1



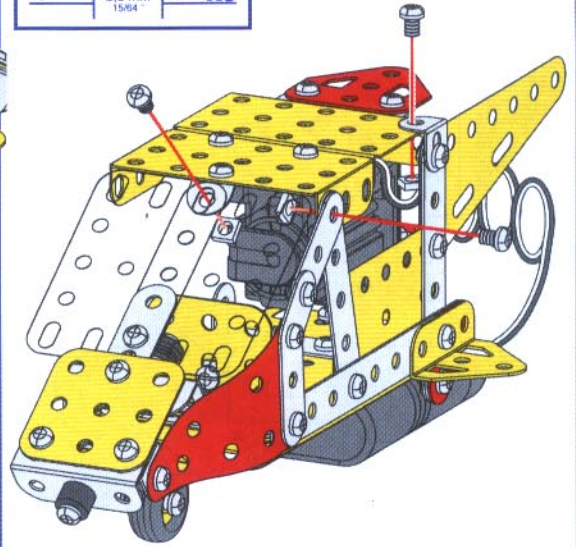
17 12+

- 3 | 12 mm | x2
- | 1/2" | x2



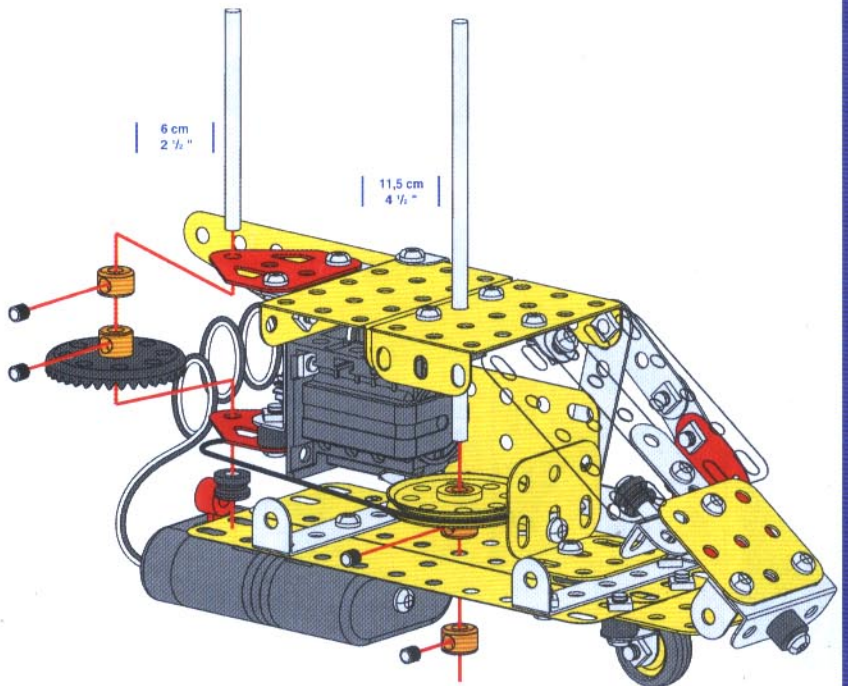
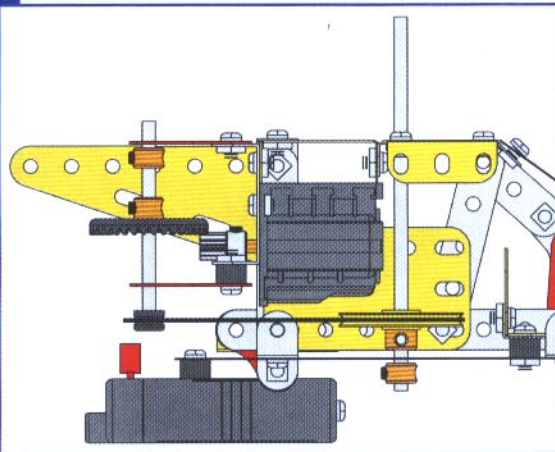
18 16+ 17+

- x3
- | 5,8 mm | x3



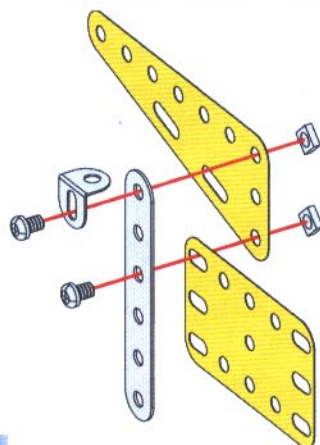
19 18+

- | 11,5 cm | x1
- | 6 cm | x1
- x1
- x1
- x2
- x1
- x1
- x4



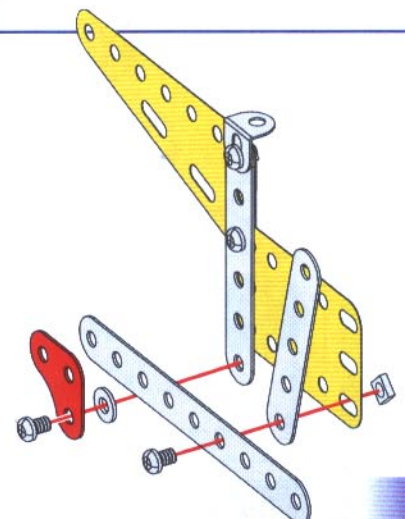
20

- x1
- x1
- x1
- x2
- x1
- | 5,8 mm | x2








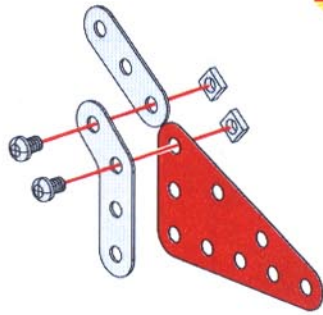
21 20+

- x1
- x1
- x1
- x1
- x2
- | 5,8 mm | x2







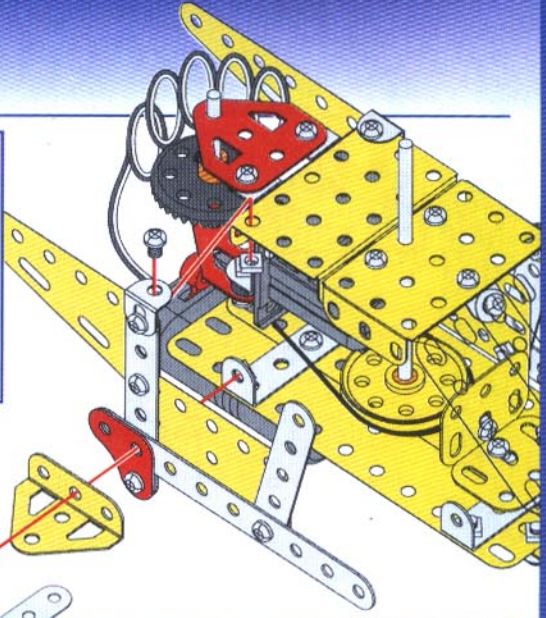
22

-  x1
 -  x1
 -  x1
 -  x2
 -  x2
- 5,8 mm 15/64"



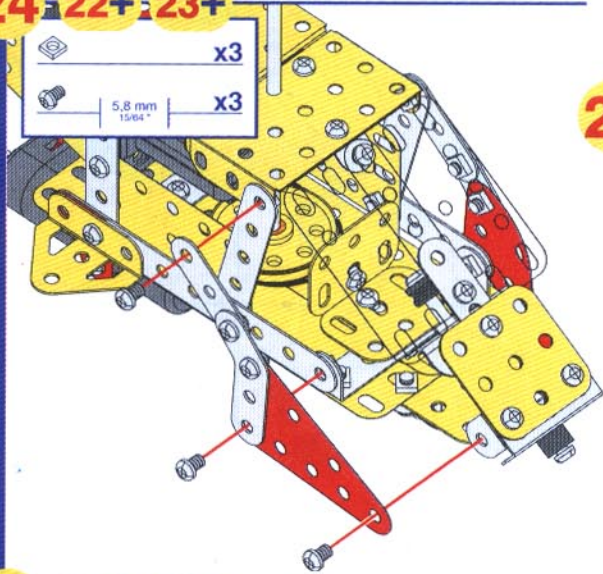
23 19+ 21+

-  x1
-  x2
-  9,5 mm 3/8" x1
-  5,8 mm 15/64" x1









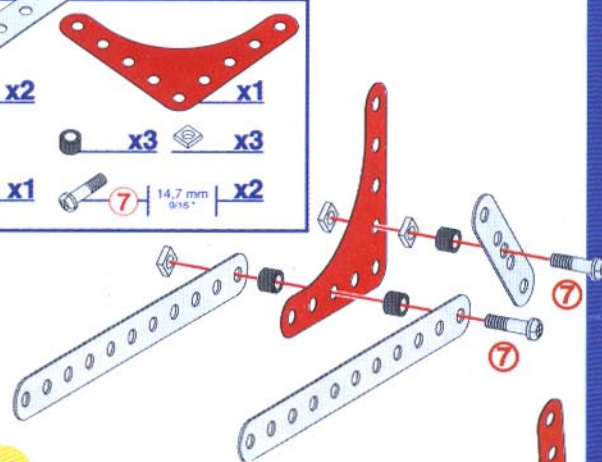
24 22+ 23+

-  x3
-  5,8 mm 15/64" x3






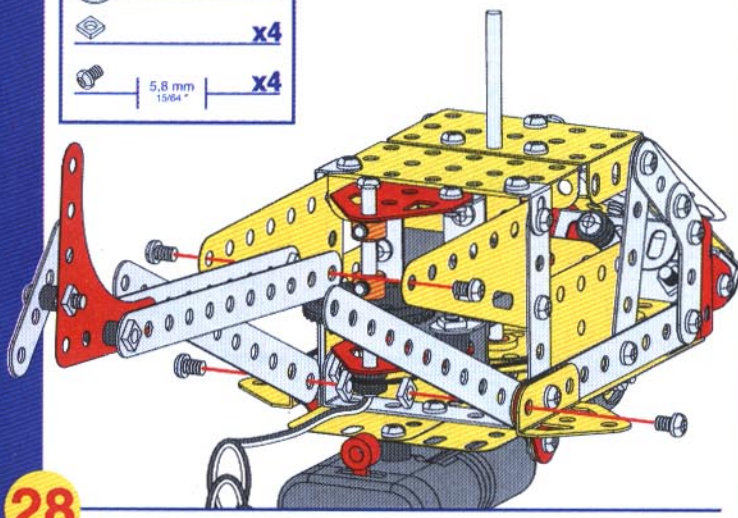
25

-  x2
-  x1
-  x3
-  x3
-  x1
-  14,7 mm 9/16" x2



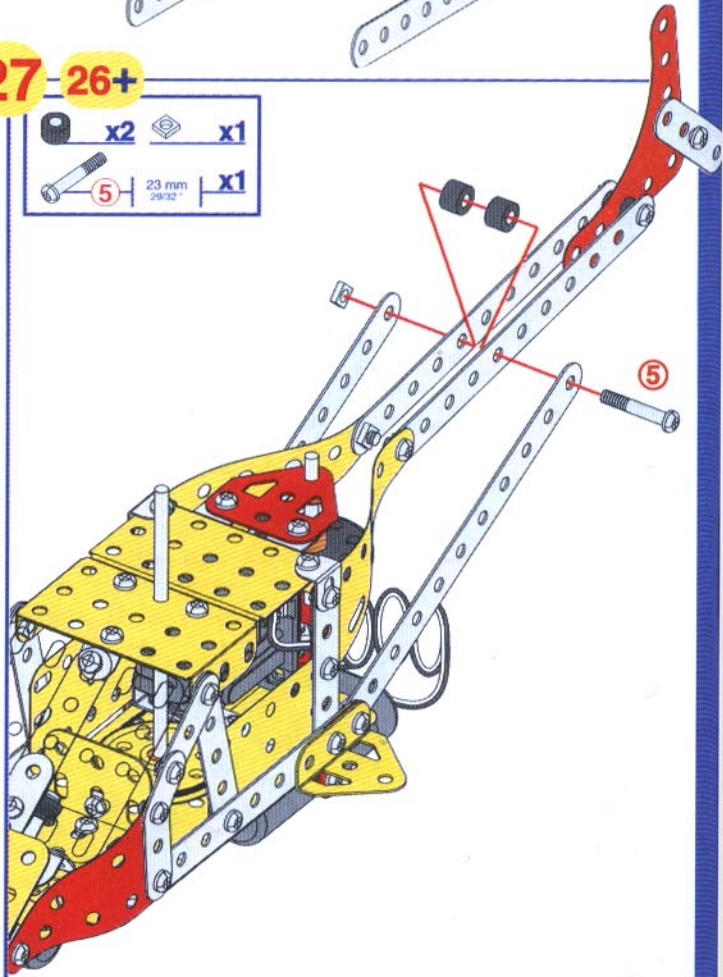
26 24+ 25+

-  x2
-  x4
-  5,8 mm 15/64" x4



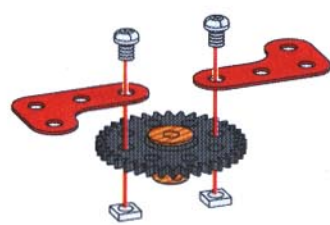
27 26+

-  x2
-  x1
-  23 mm 29/32" x1

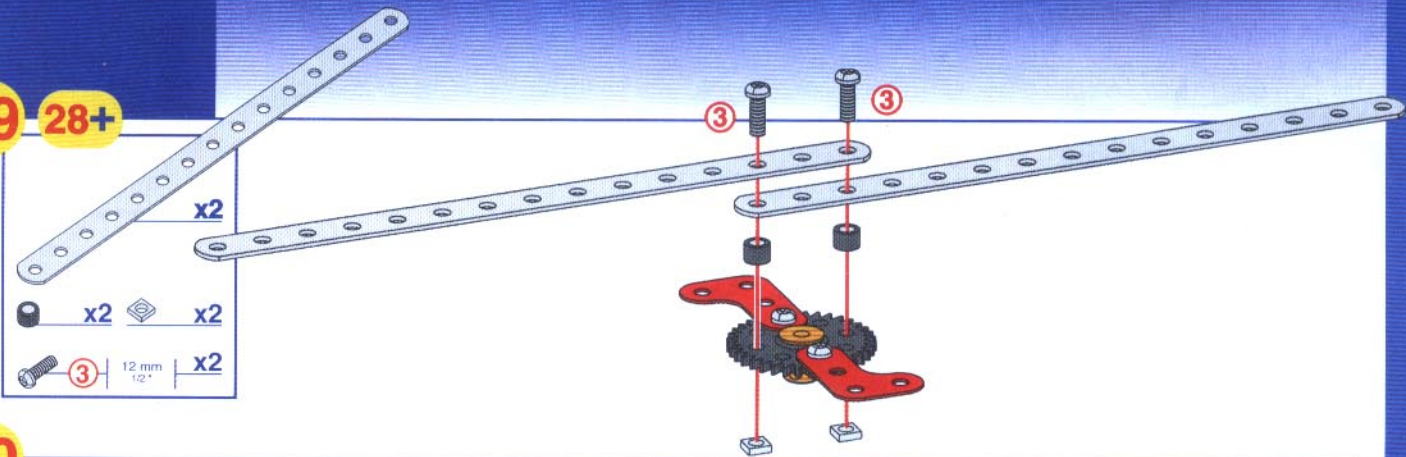


28

-  x2
-  x1
-  x2
-  5,8 mm 15/64" x2

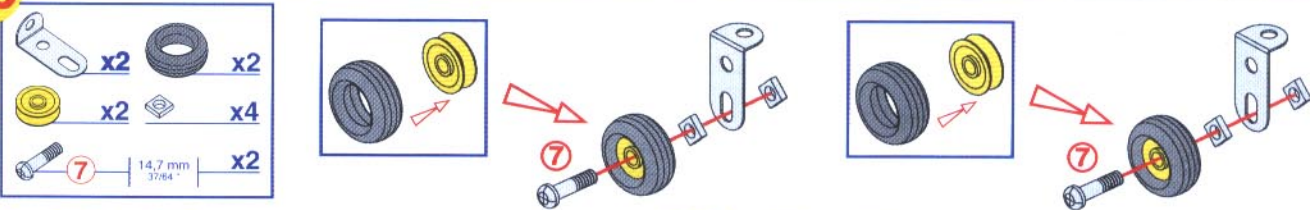


29 28+



- x2
- x2
- 12 mm / 1/2" x2

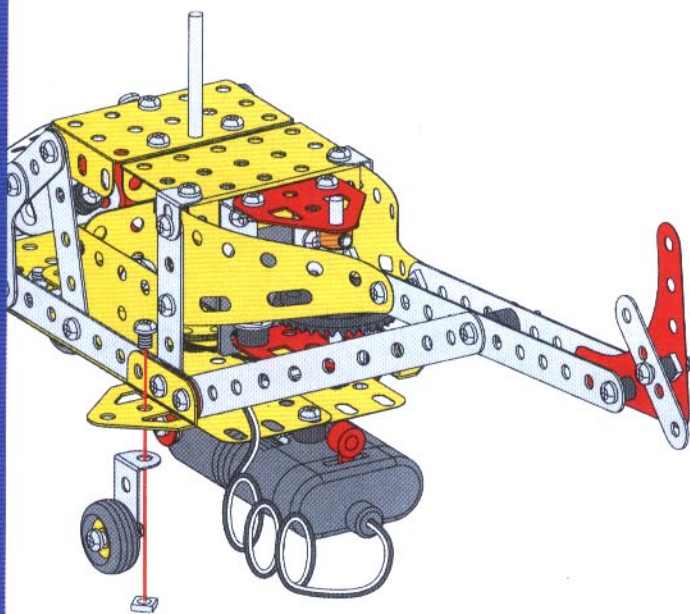
30



- x2
- x2
- x2
- x4
- 14.7 mm / 3/8" x2

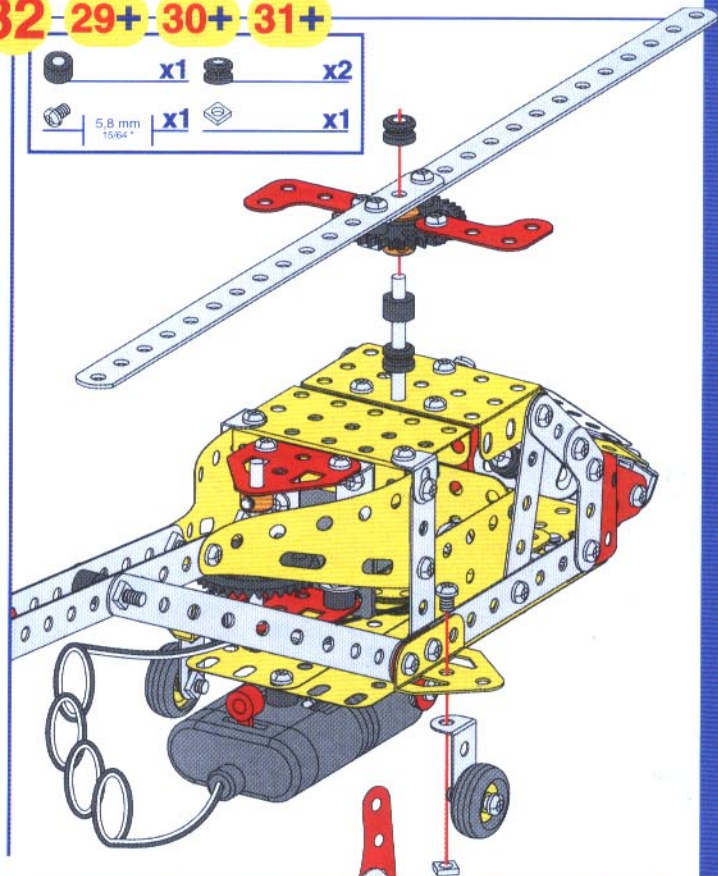
31 27+ 30+

- x1
- 5.8 mm / 15/64" x1

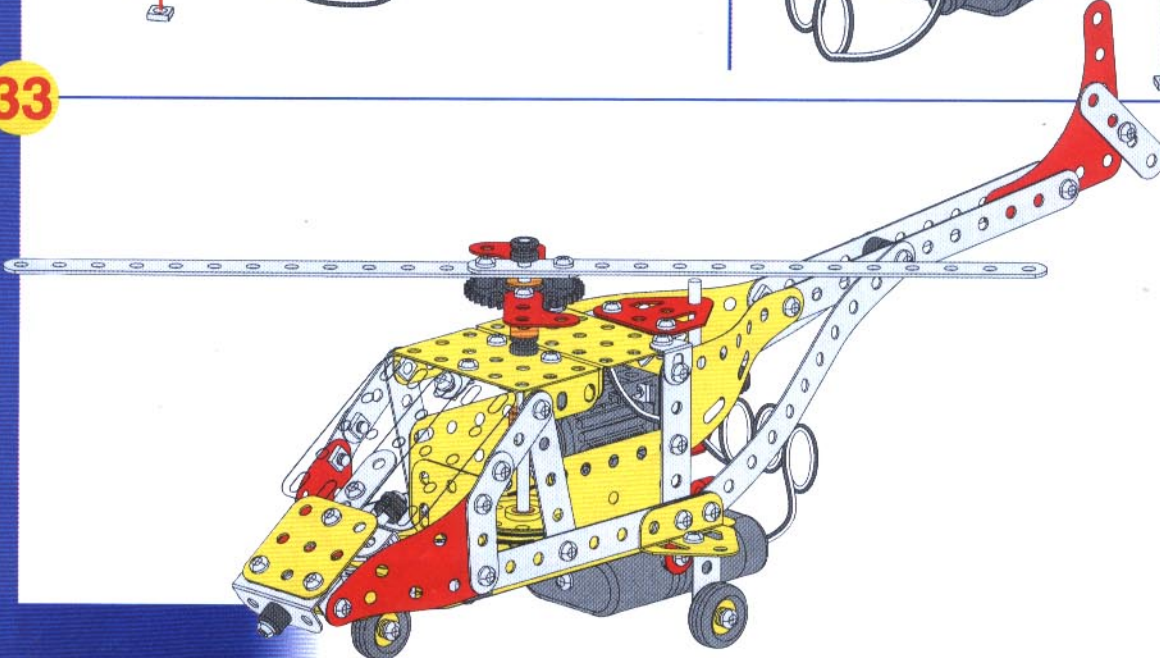


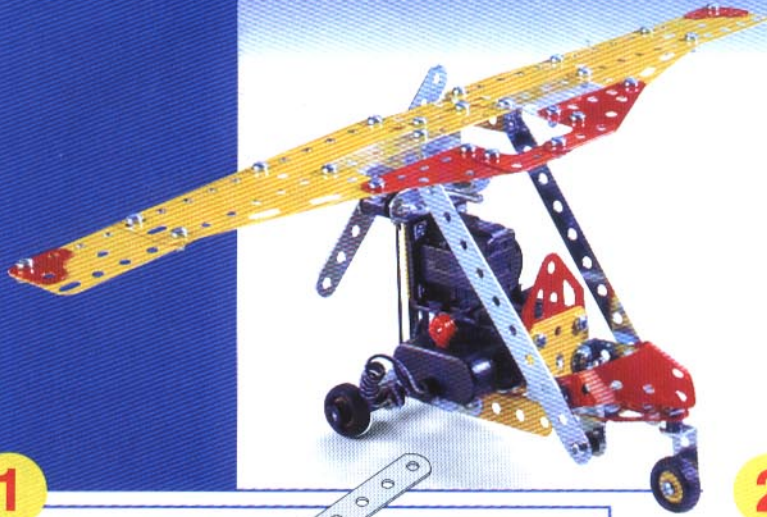
32 29+ 30+ 31+

- x1
- x2
- 5.8 mm / 15/64" x1
- x1

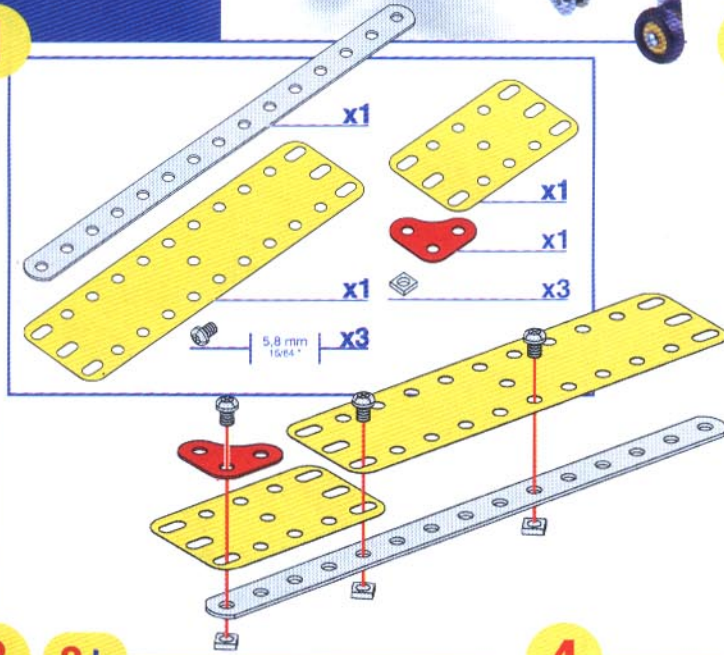


33

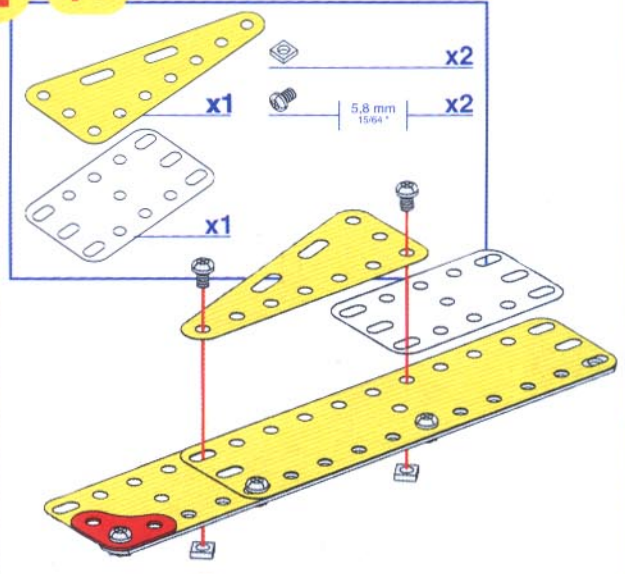




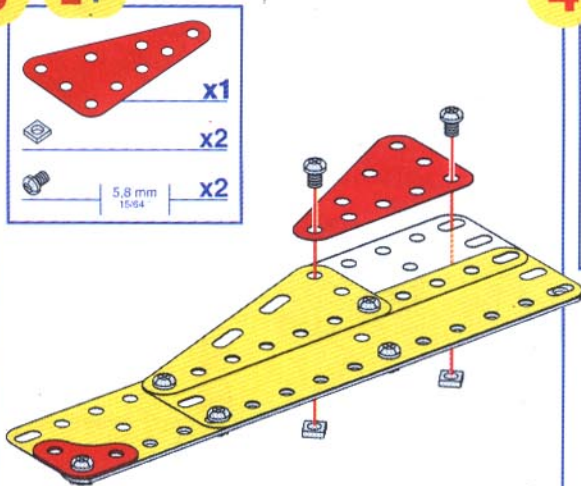
1



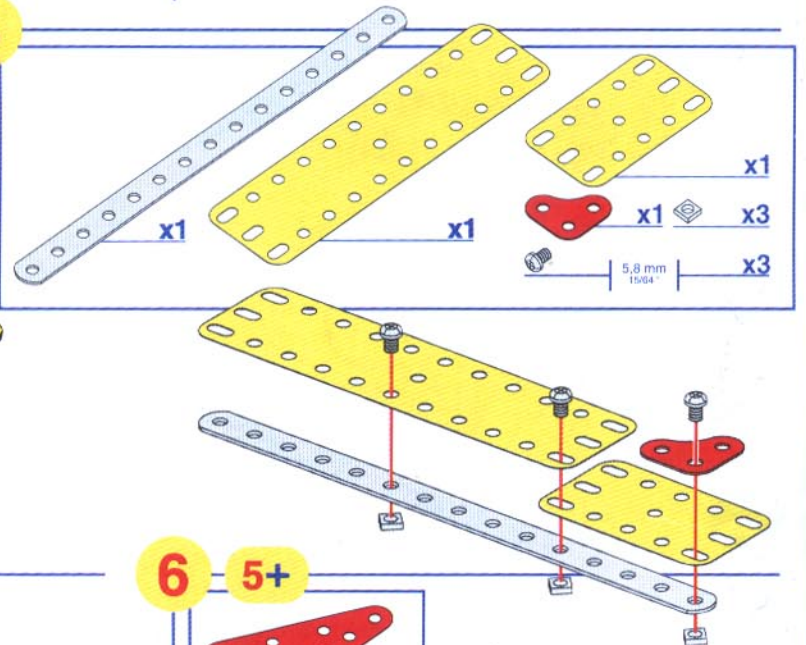
2 1+



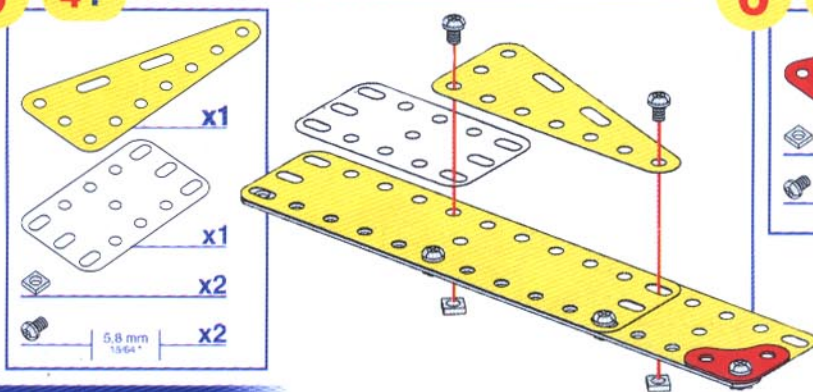
3 2+



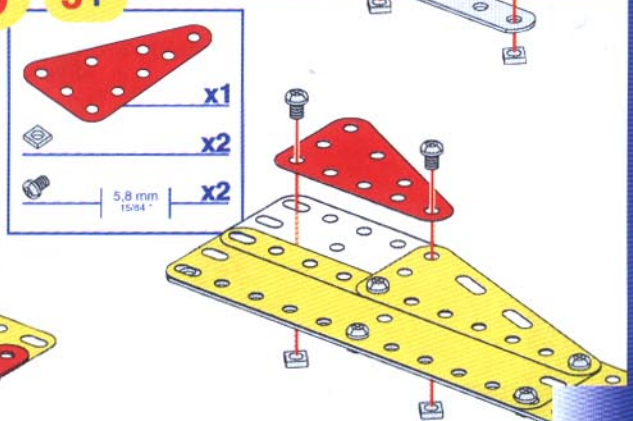
4



5 4+



6 5+



7 **3+** **6+**

- x2
- x3
- 5,8 mm / 15/64" x3

8 **7+**

- x1
- x1
- x6
- 9,5 mm / 3/8" x2
- 5,8 mm / 15/64" x4

9

- x1
- x1
- x1
- x1
- x4
- 12 mm / 1/2" x1
- 5,8 mm / 15/64" x3
- 3

10 **9+**

- x2
- 7 14,7 mm / 5/8" x1

11 **10+**

- x1
- x1
- x2
- 7 14,7 mm / 5/8" x1

12

- x2
- x1
- x1
- x2
- x4
- 5,8 mm / 15/64" x4

13 **11+** **12+**

- x1
- x2
- 5,8 mm / 15/64" x2

14 **13+**

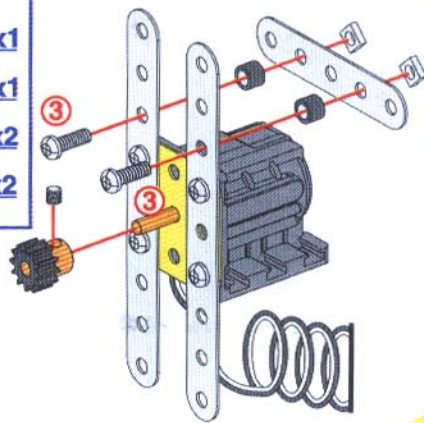
- x1
- x2
- 5,8 mm / 15/64" x2

15

- x2
- x1
- 5,8 mm / 15/64" x4
- x4
- x1

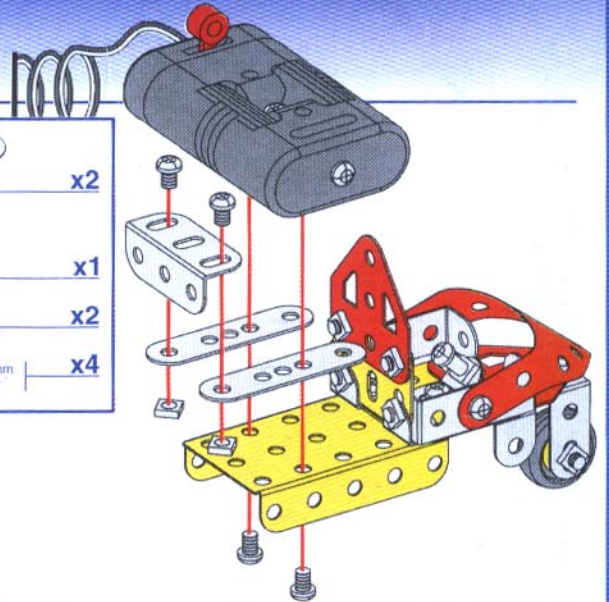
16

- x1
- x1
- x1
- x2
- x2
- x2
- x2



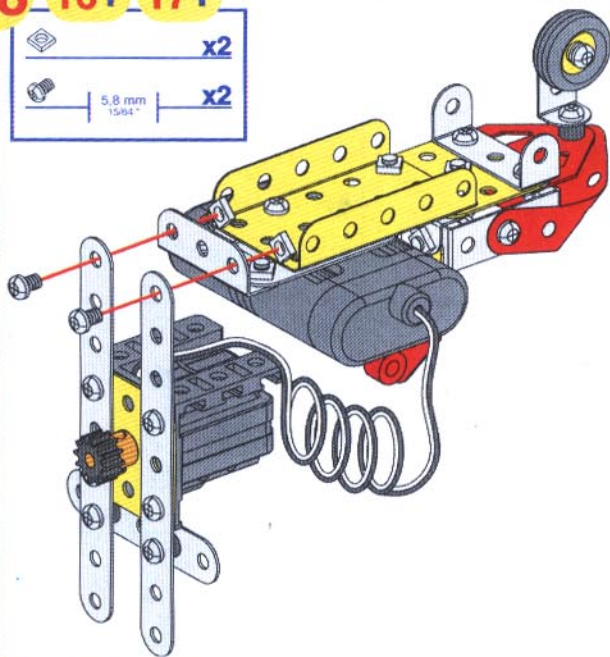
17 14+

- x2
- x1
- x2
- x4



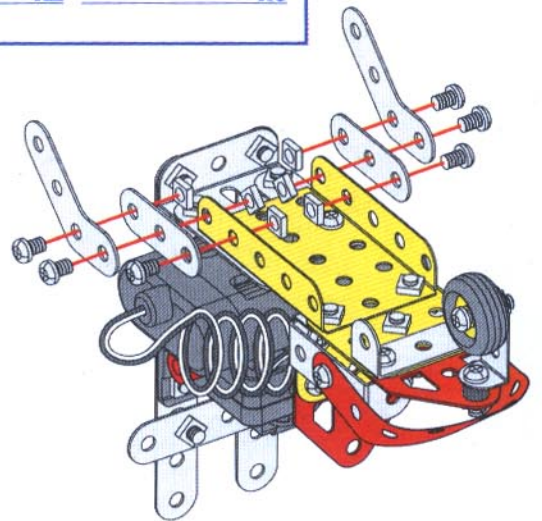
18 16+ 17+

- x2
- x2



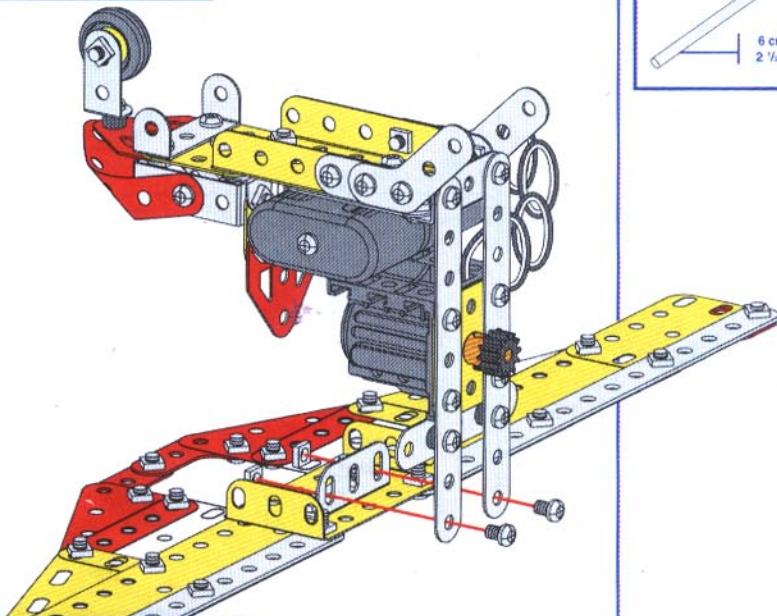
19 18+

- x2
- x2
- x6
- x2
- x6



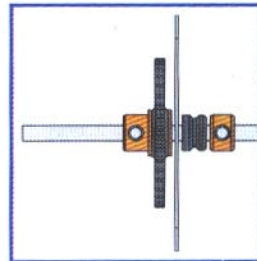
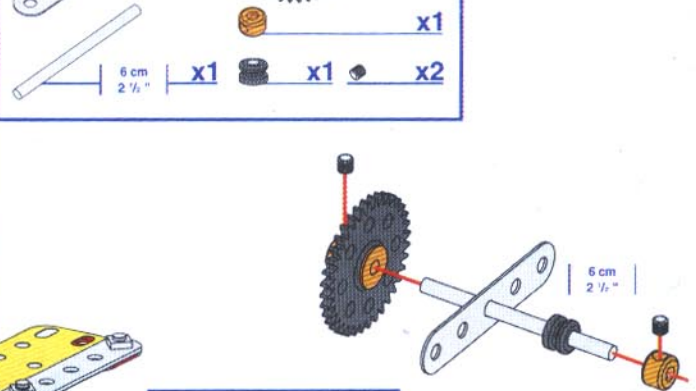
20 8+ 19+

- x2
- x2







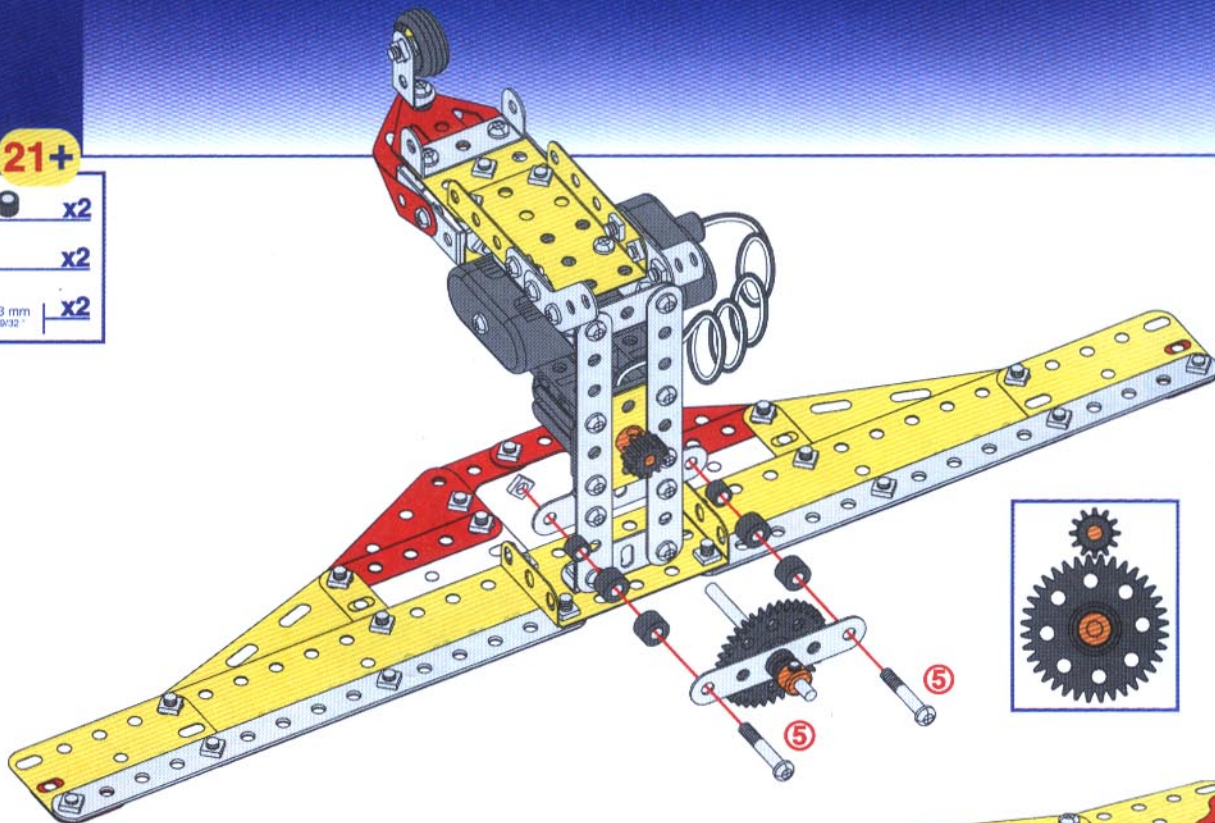
21

- x1
- x1
- x1
- x1
- x1
- x2









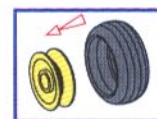
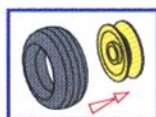
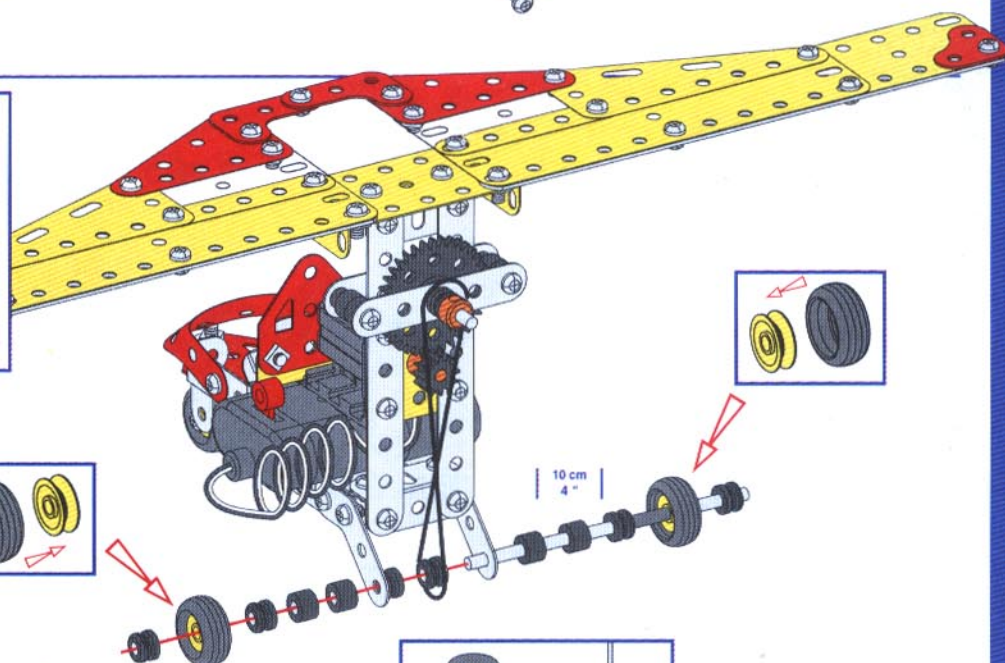
22 20+ 21+

-  x4  x2
-  x2
-  23 mm 29/32" x2









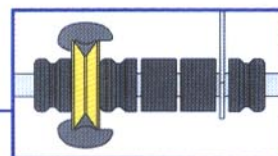
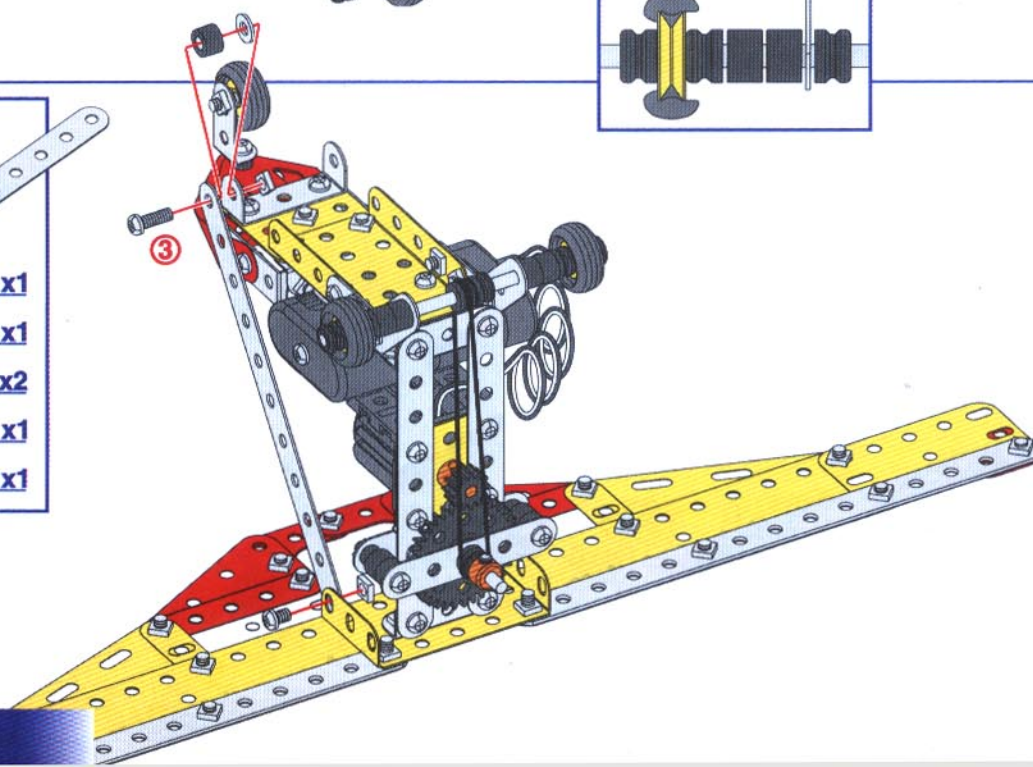
23 22+

-  10 cm 4" x1
-  x2
-  x4
-  x1
-  x2
-  x6

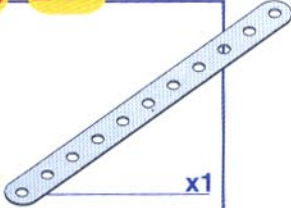







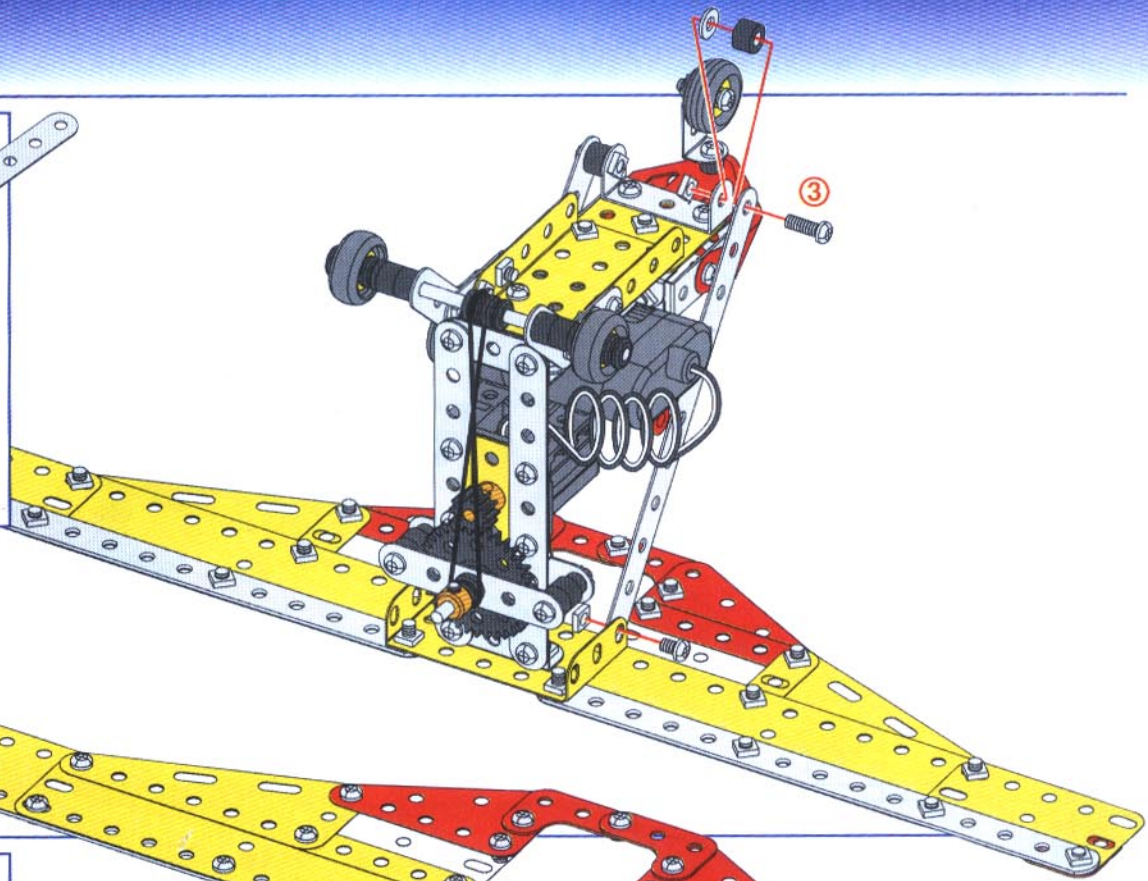
24 23+

-  x1
-  x1
-  x1
-  x2
-  12 mm 1/2" x1
-  5,8 mm 15/64" x1

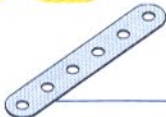





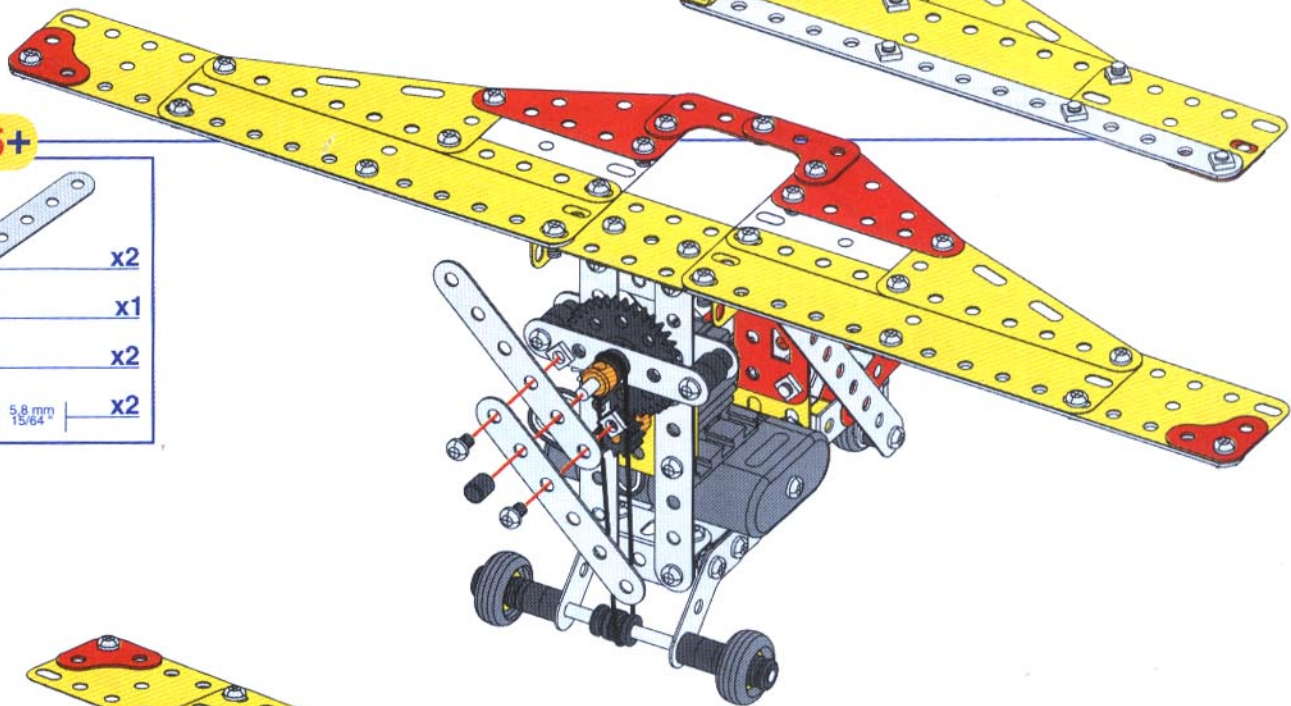
25 24+

-  x1
-  x1
-  x1  x2
-  ③ 12 mm 1/2" x1
-  5.8 mm 15/64" x1

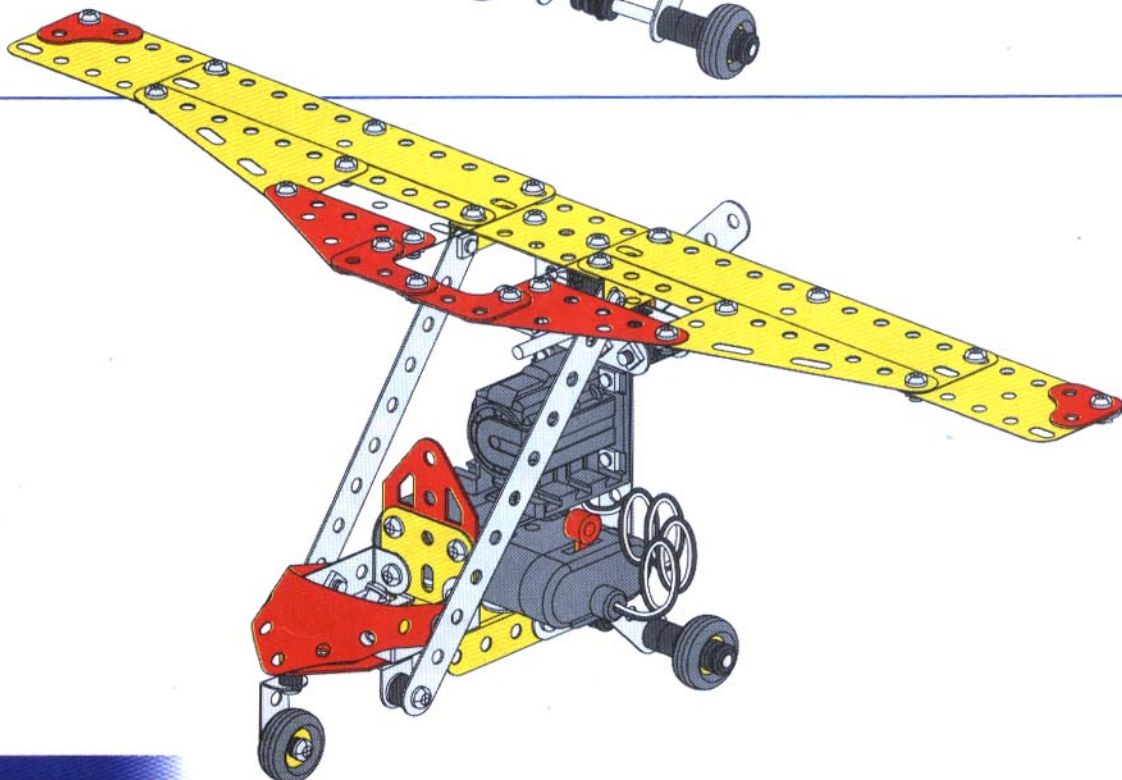


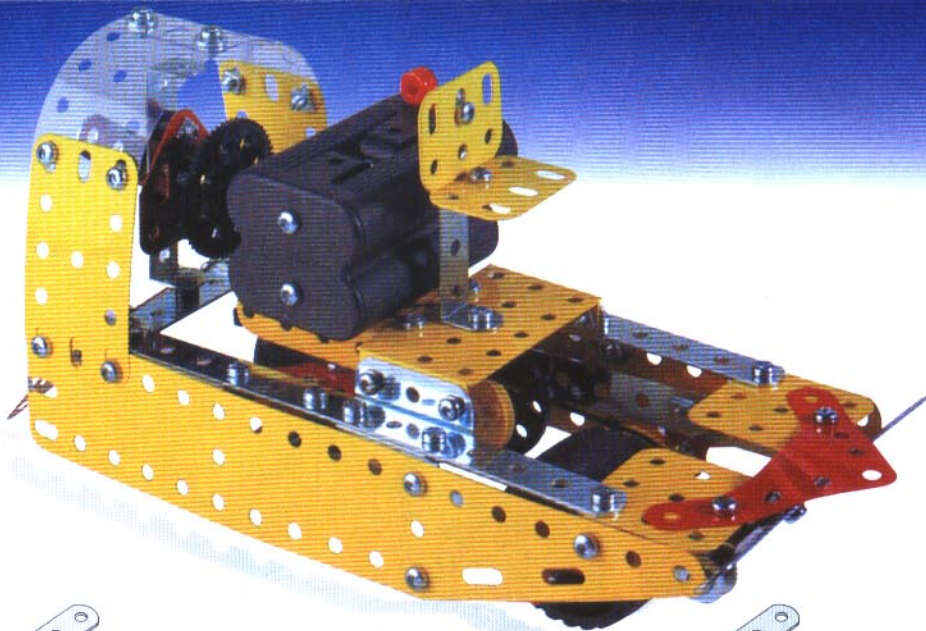
26 25+

-  x2
-  x1
-  x2
-  5.8 mm 15/64" x2

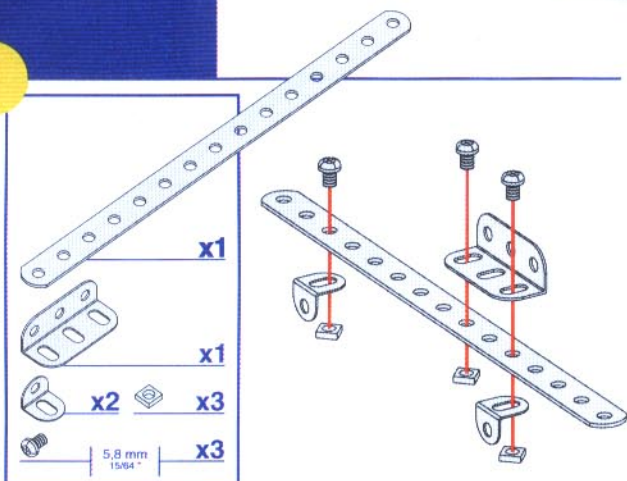


27

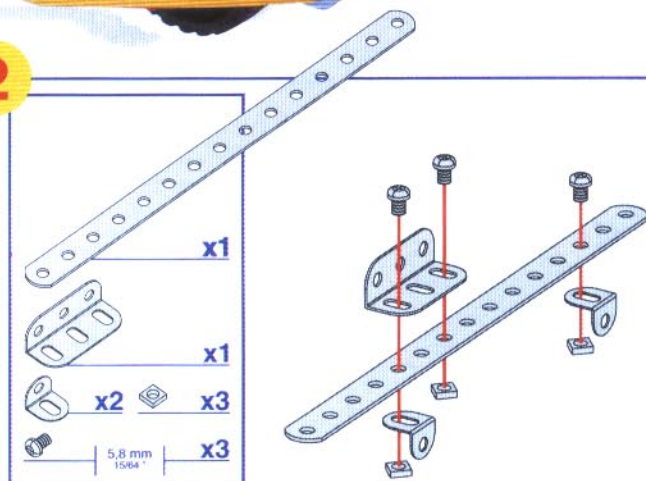




1

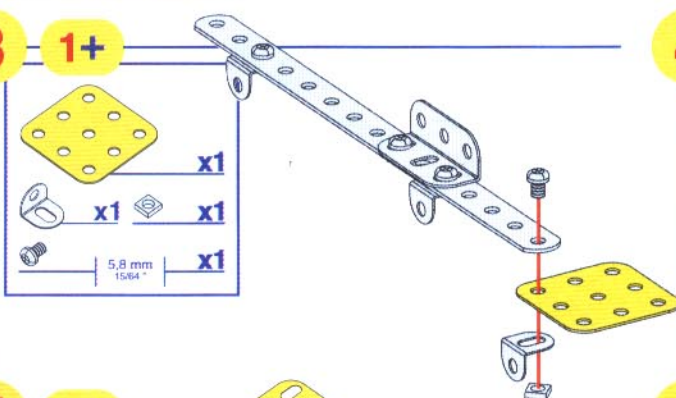


2



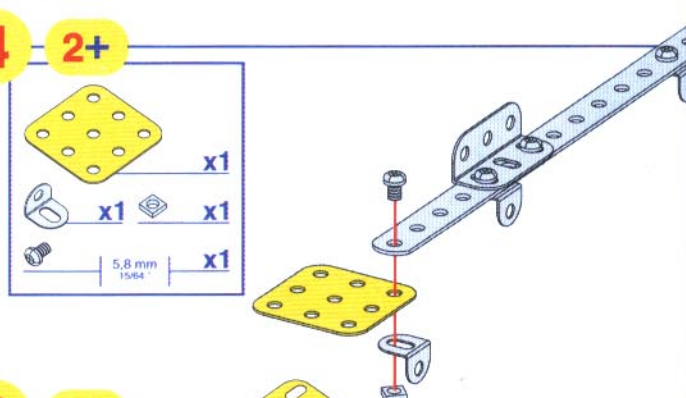
3

1+



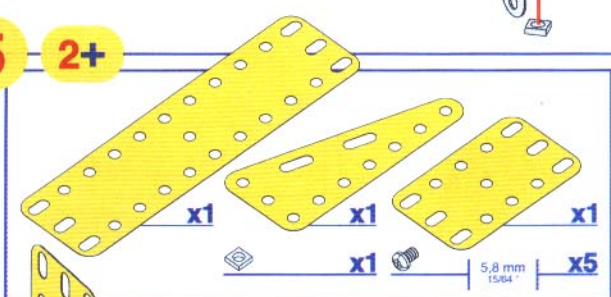
4

2+



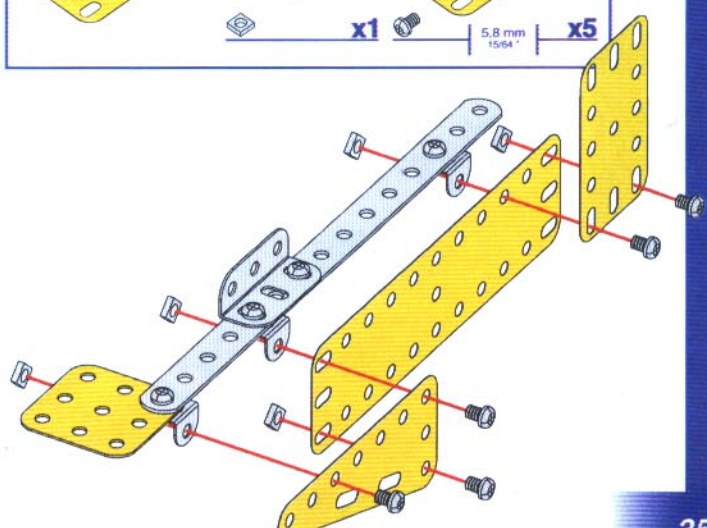
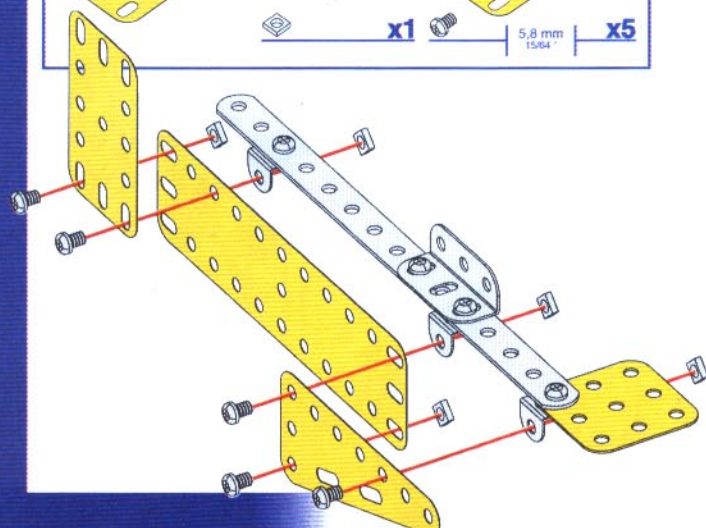
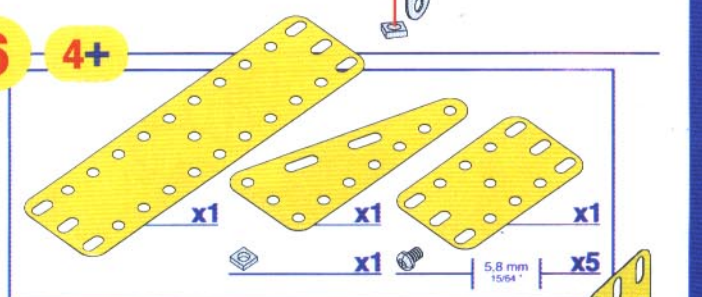
5

2+

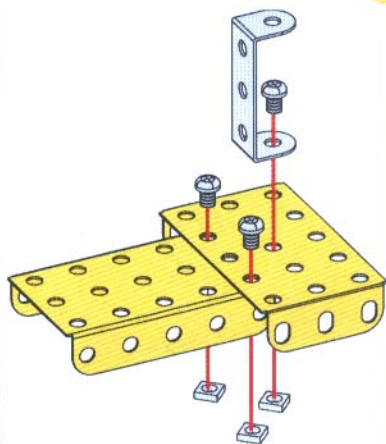
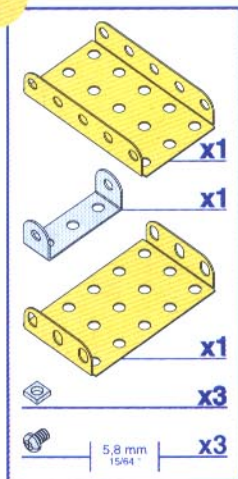


6

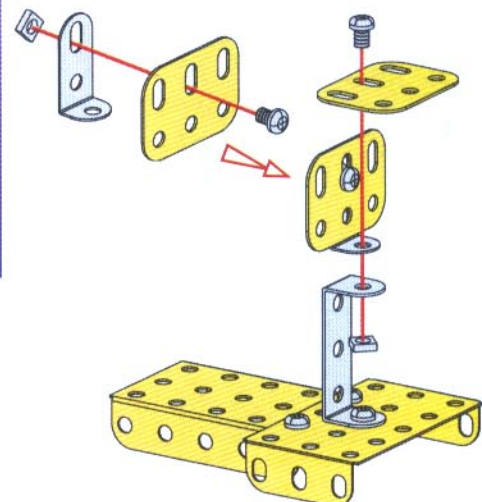
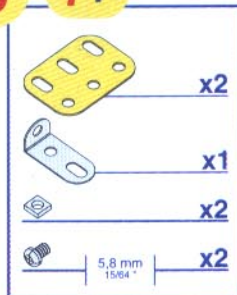
4+



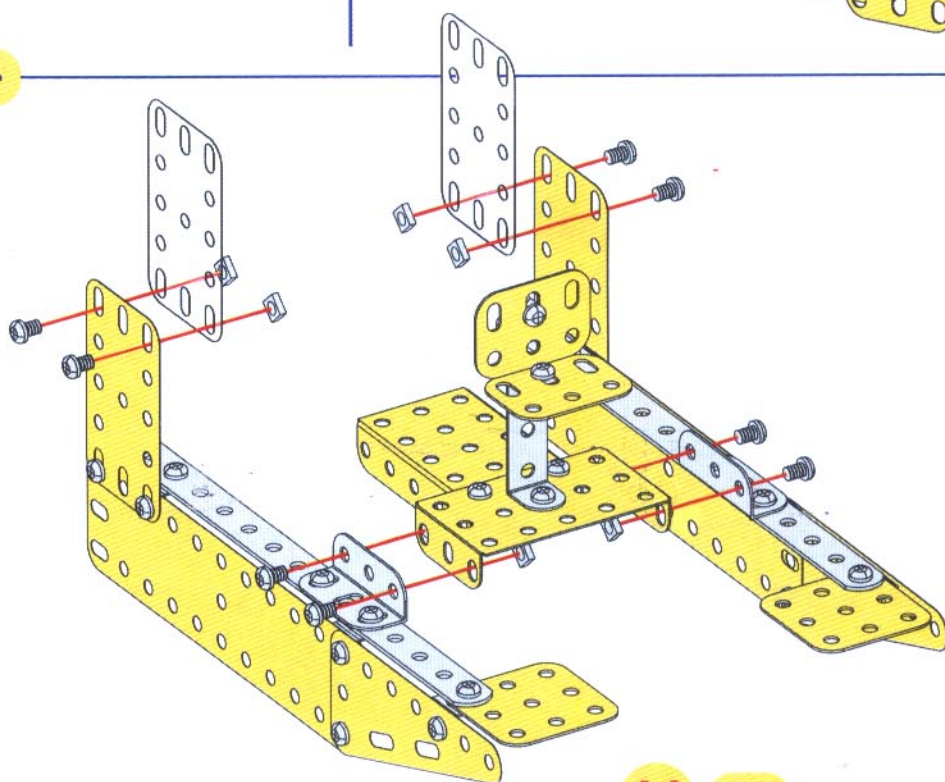
7



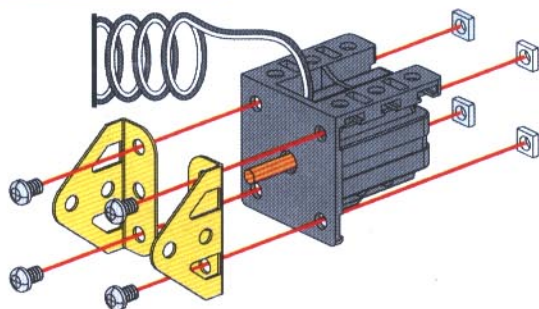
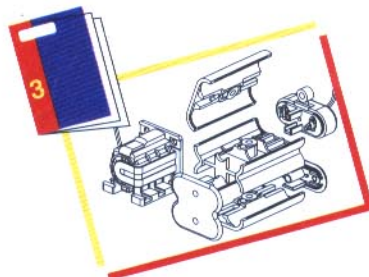
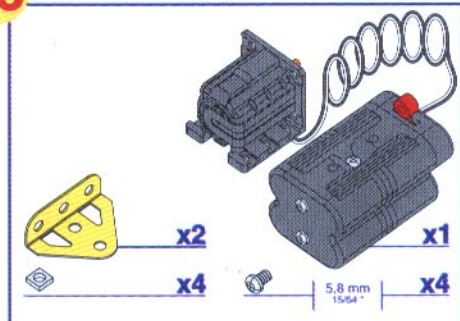
8 7+



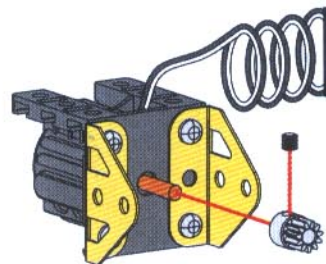
9 3+ 6+ 8+



10



11 10+



12

	x2		x2		x4
	x2			14.7 mm 9/16"	x2

13 11+ 12+

	x1
	x1
	x2
	x2

5.8 mm
15/64"

14 12+ 13+

	x1
	x1
	x4
	x4
	x4

5.8 mm
15/64"

15 14+

	x1
	x1
	x1
	x1
	x1
	x2
	x2
	x3
	x2

6 cm
2 1/8"

12 mm
1/2"

16 15+

	x1
	x1
	x1
	x1
	x1
	x1
	x2
	x3
	x3
	x1
	x2

9 cm
3 1/2"

14.7 mm
9/16"








5.8 mm
15/64"

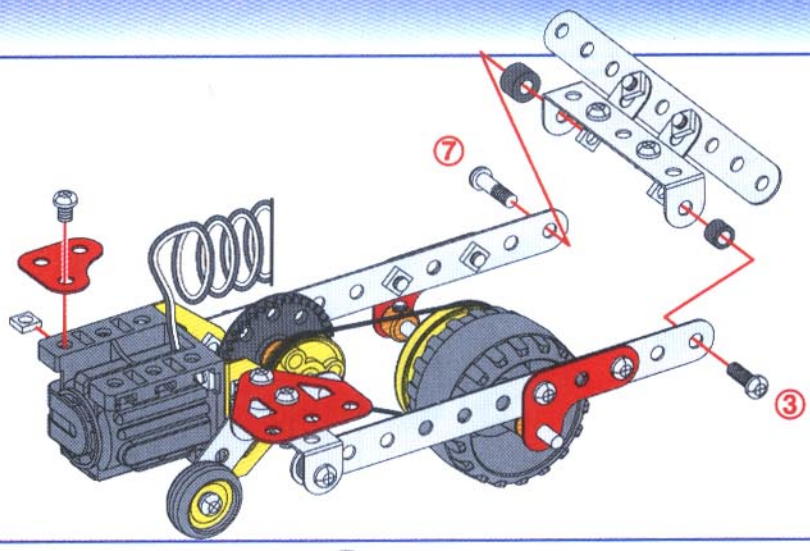
17

	x1
	x2
	x4
	x4

5.8 mm
15/64"

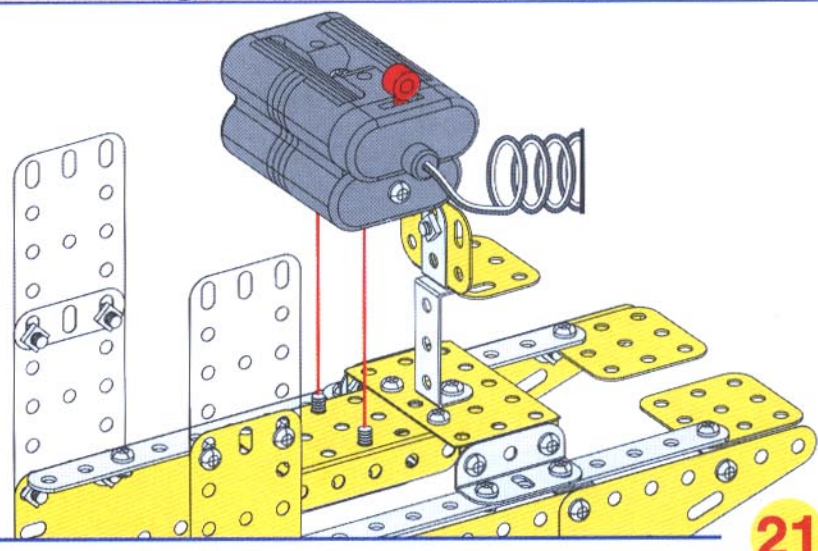
18 16+ 17+

-  x1
-  x1
-  x1  x3
-  14,7 mm 9/16 x1
-  12 mm 1/2" x1
-  5,8 mm 15/64" x1









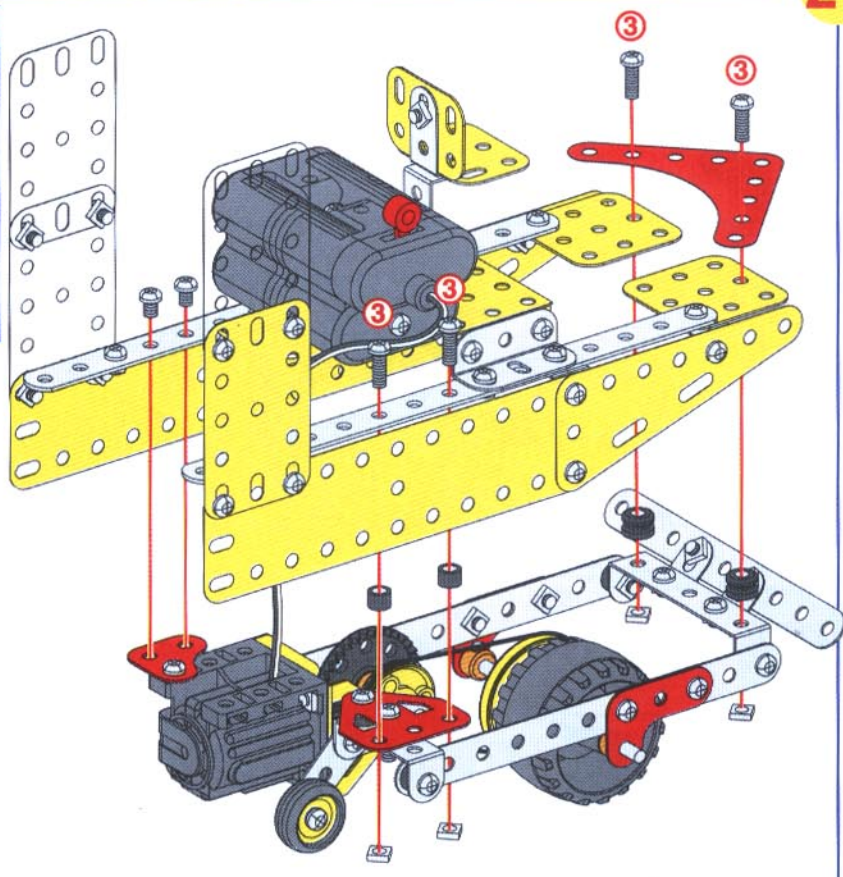
19 9+

-  5,8 mm 15/64" x2

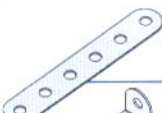
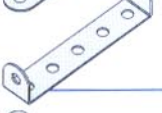







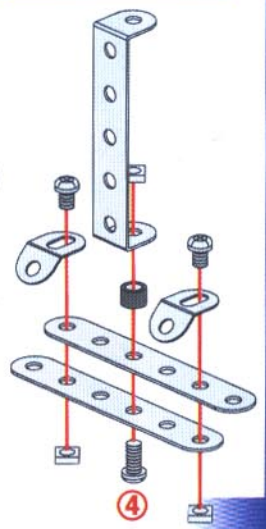
20 18+ 19+

-  x1
-  x2  x6
-  x2
-  12 mm 1/2" x4
-  5,8 mm 15/64" x2



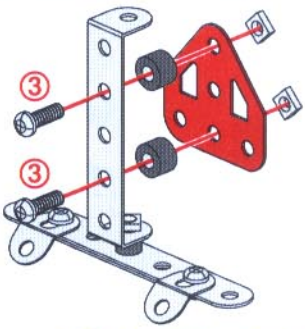
21

-  x2
-  x1
-  x2
-  x1  x3
-  9,5 mm 3/8" x1
-  5,8 mm 15/64" x2



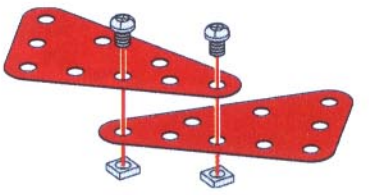
22 21+

- x1
- x2
- x2
- ③ 12 mm 1/2" x2



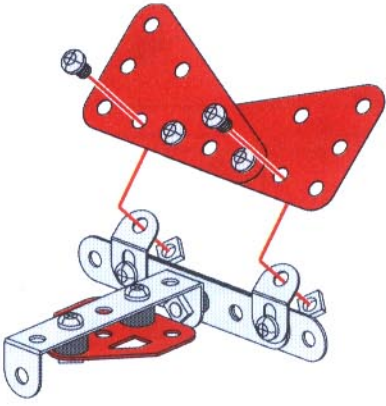
23

- x2
- x2
- 5,8 mm 15/64" x2



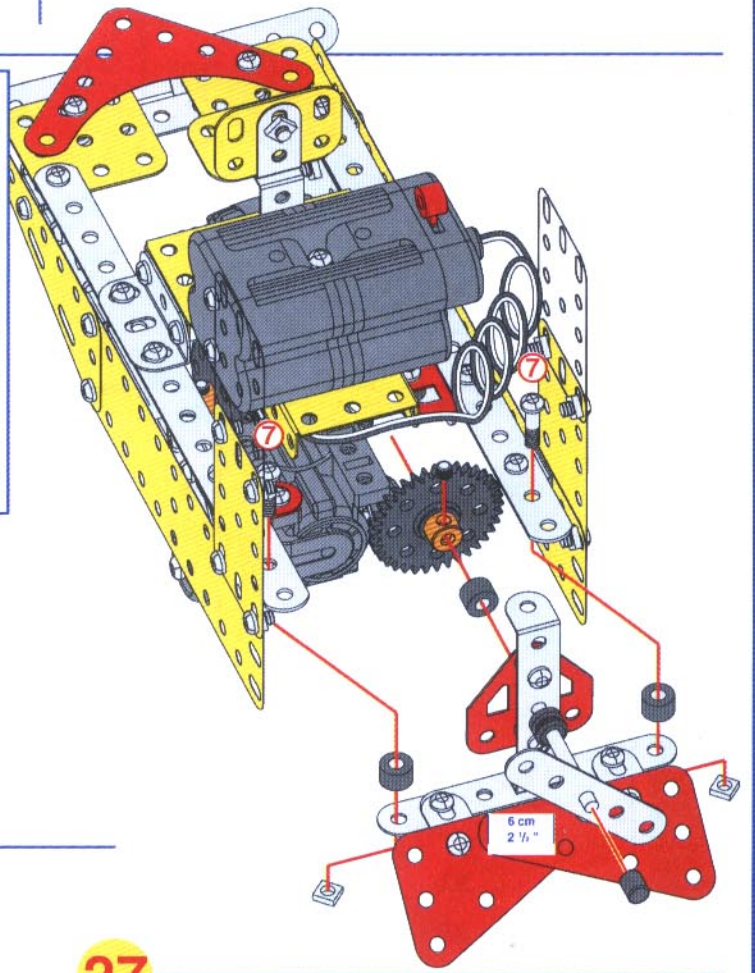
24 22+ 23+

- x2
- 5,8 mm 15/64" x2



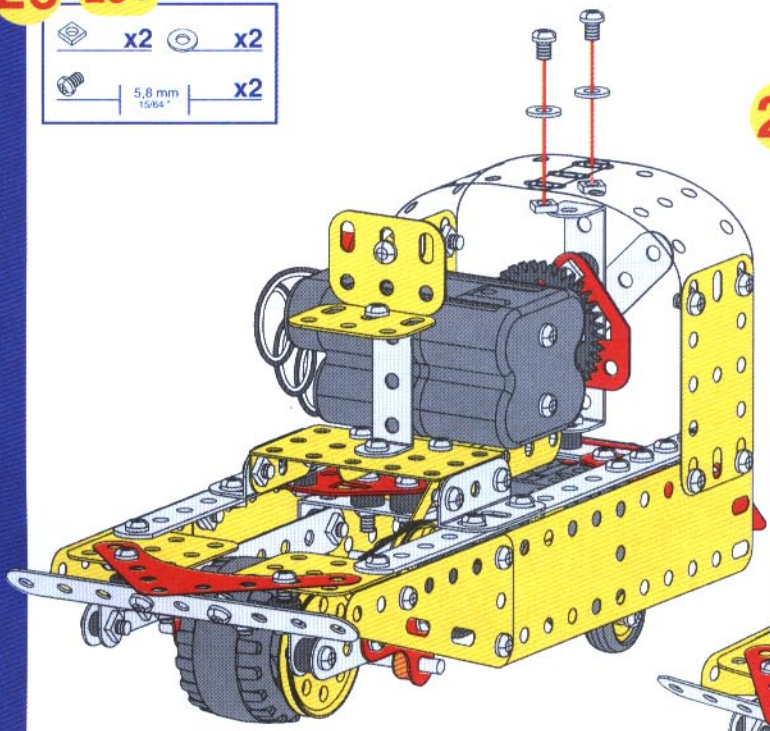
25 20+ 24+

- x1
- x1
- x1
- x3
- x1
- x1
- x1
- x2
- ⑦ 14,7 mm 37/64" x2

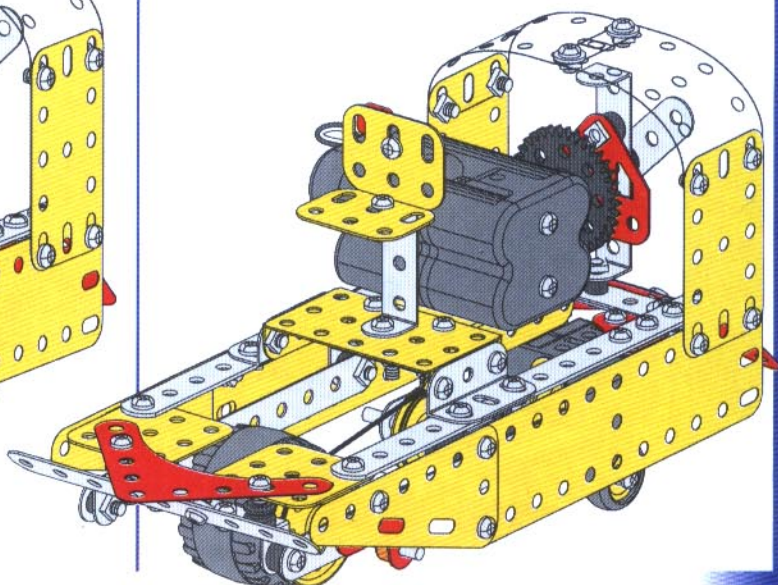


26 25+

- x2
- x2
- 5,8 mm 15/64" x2



27





1

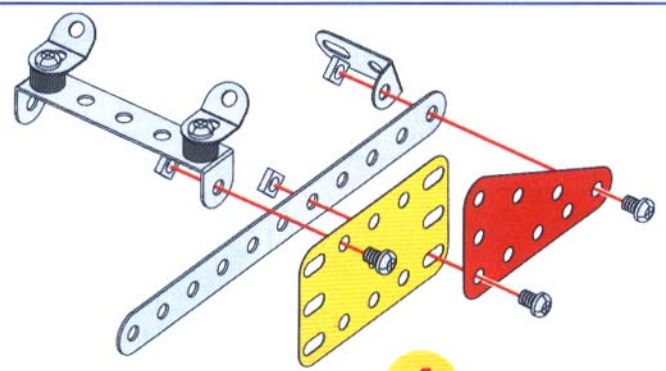
	x1
	x2
	x2
	x2
	x2
	x2

12 mm 1/2

2 1+

	x1
	x1
	x1
	x3
	x1
	x3
	x3

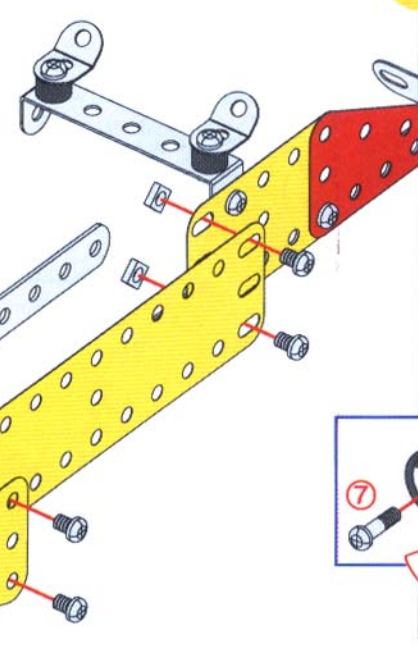
5,8 mm 15/64"



3 2+

	x1
	x1
	x1
	x1
	x5
	x5

5,8 mm 15/64"



4

	x1
	x1
	x1
	x3
	x1
	x1
	x1

12 mm 1/2 14,7 mm 37/64"

5 4+

	x1
	x1
	x2
	x2

5,8 mm 15/64"

6

	x1
	x2
	x2
	x1
	x3
	x3

5,8 mm 15/64"

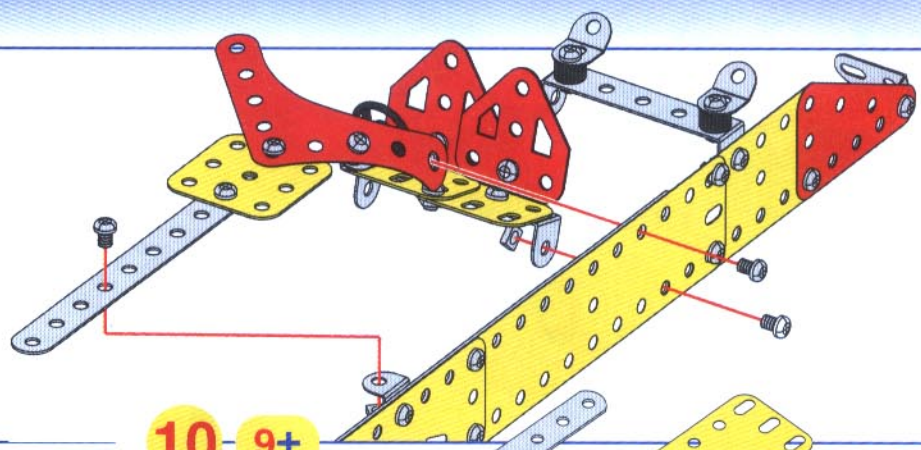
7 6+

	x2
	x2
	x2

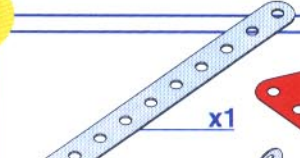
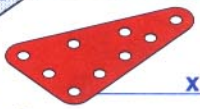
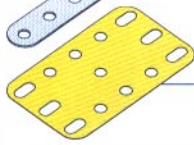




5,8 mm 15/64"

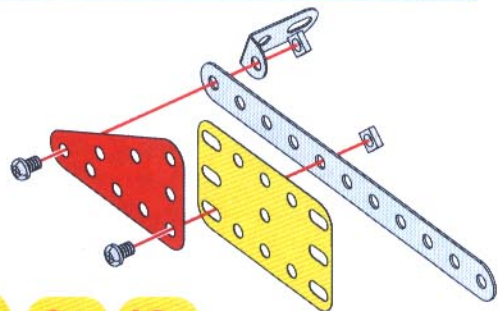
8 3+ 5+ 7+

	x3
 5,8 mm 15/64"	x3

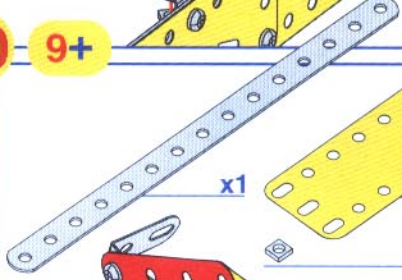
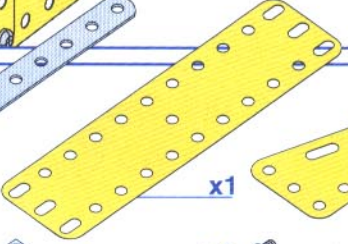
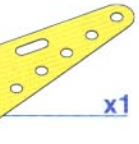




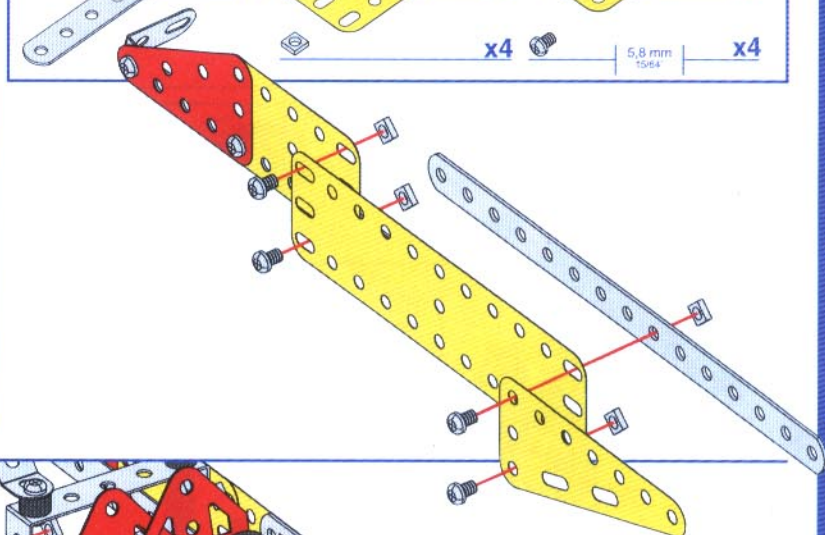
9

	x1		x1
	x1		x1
	x2		x2
	x2	5,8 mm 15/64"	x2



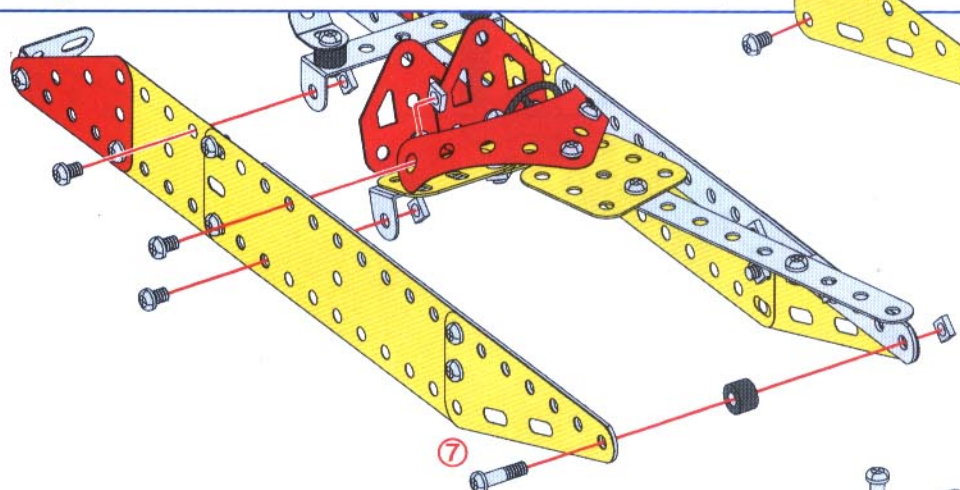
10 9+

	x1		x1		x1
	x4		x4	5,8 mm 15/64"	x4

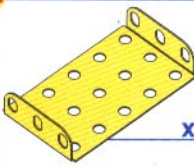


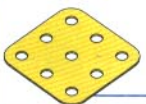






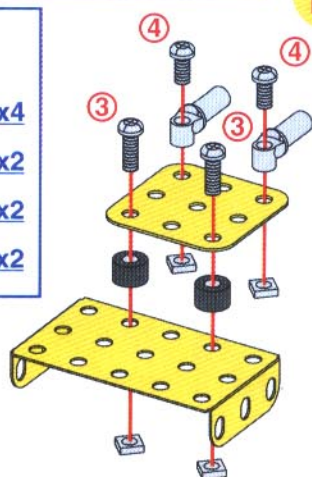
11 8+ 10+

	x1		x4
 7	14,7 mm 37/64"		x1
	5,8 mm 15/64"		x3









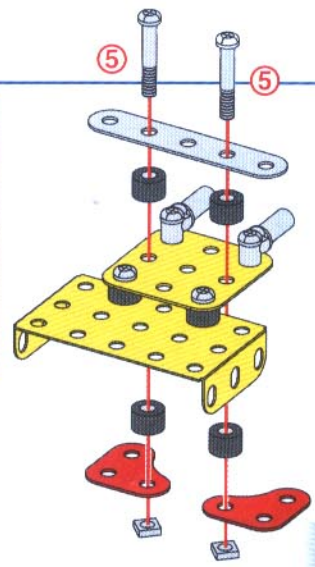
12

	x1		x2		x4
	x1		x2	 4	9,5 mm 3/8"
		 3	x2	 3	12 mm 1/2"



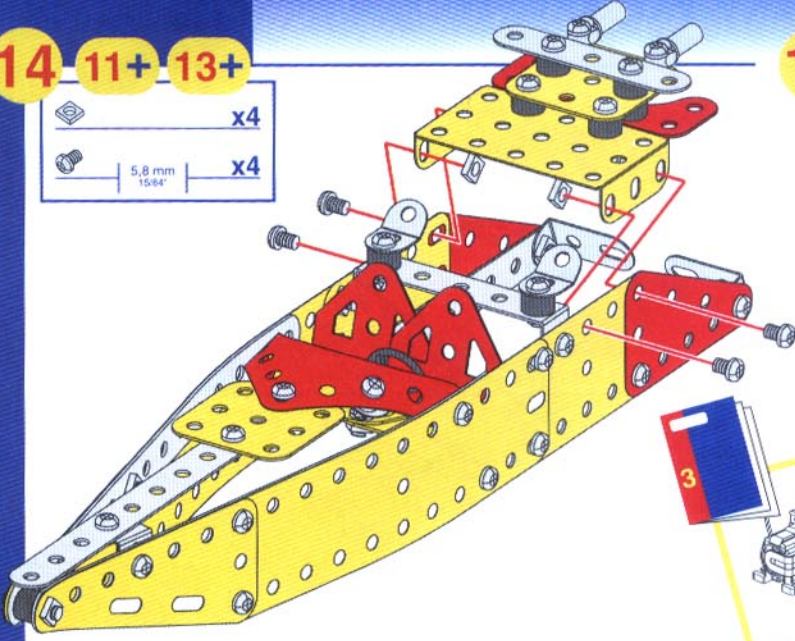
13 12+

	x1		x4		x2
	x2	 5	23 mm 29/32"		x2

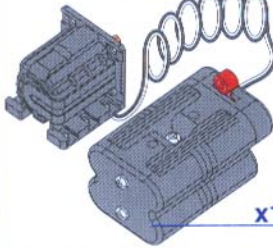









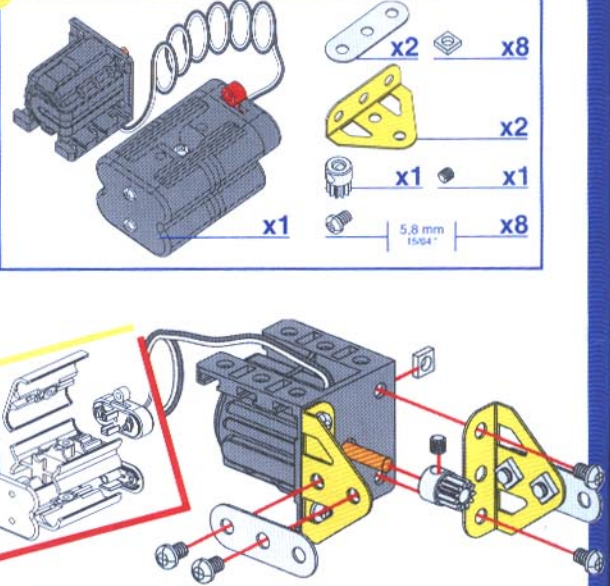
14 11+ 13+

-  x4
-  5,8 mm 15/64" x4



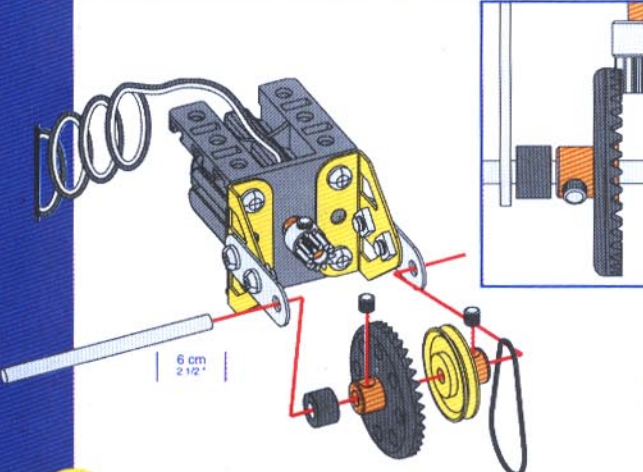
15

-  x1
-  x2
-  x2
-  x1
-  5,8 mm 15/64" x8
-  x8
-  x1
-  x8



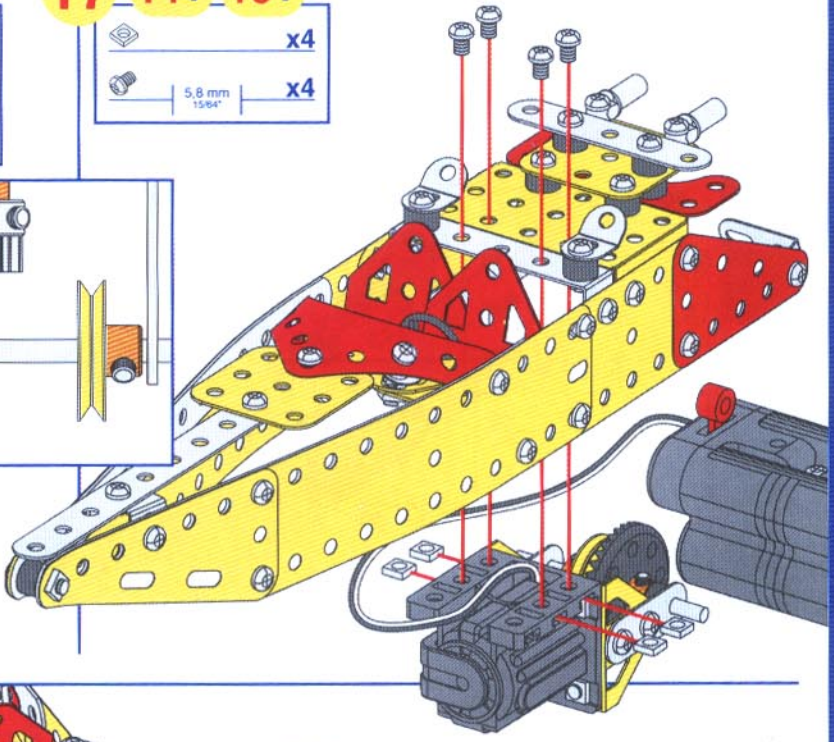
16 15+

-  6 cm 2 1/2" x1
-  x1
-  x1
-  x1
-  x1
-  x1
-  x2







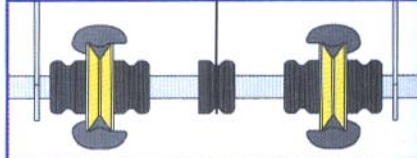
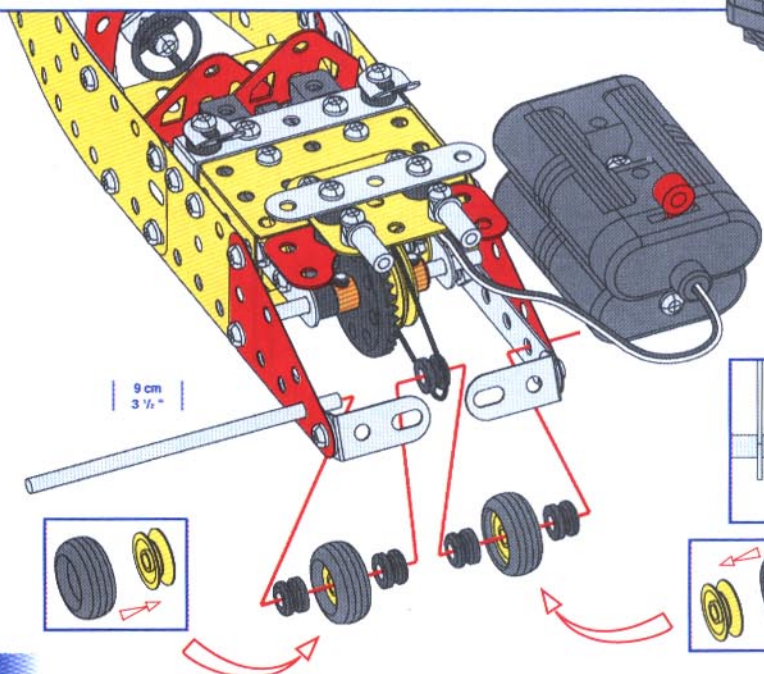
17 14+ 16+

-  x4
-  5,8 mm 15/64" x4

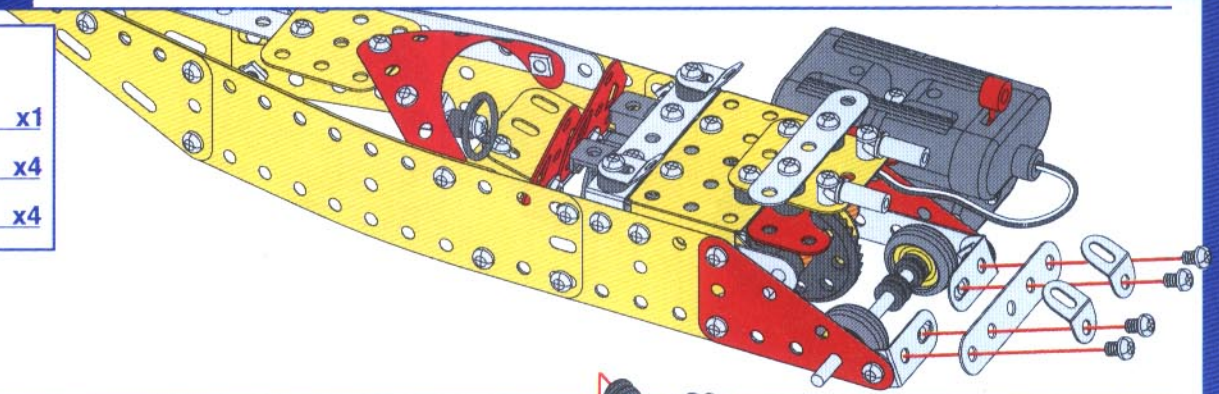


18 17+

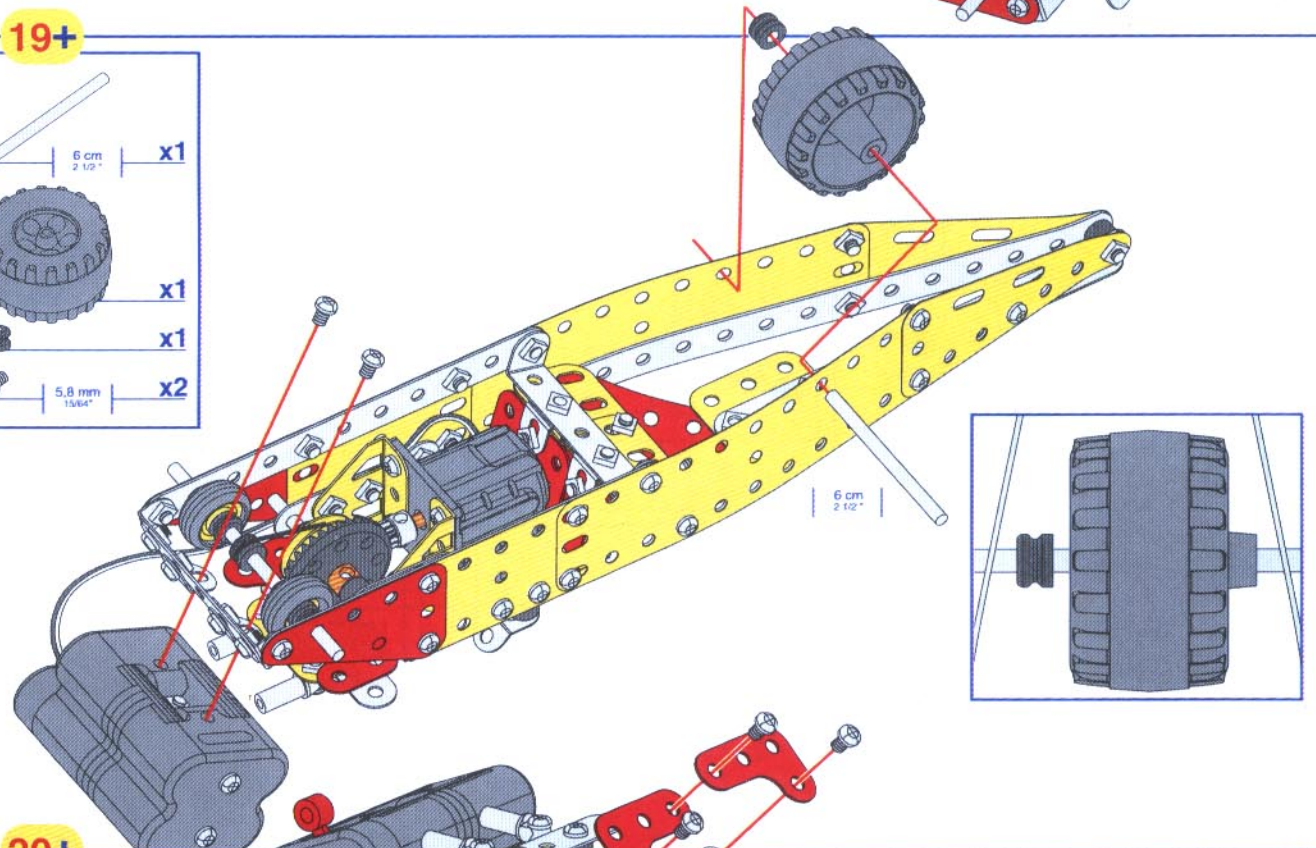
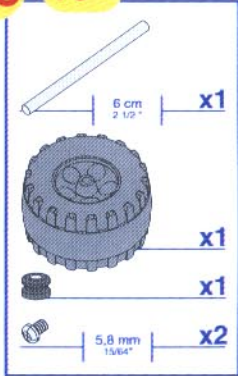
-  9 cm 3 1/2" x1
-  x2
-  x2
-  x5



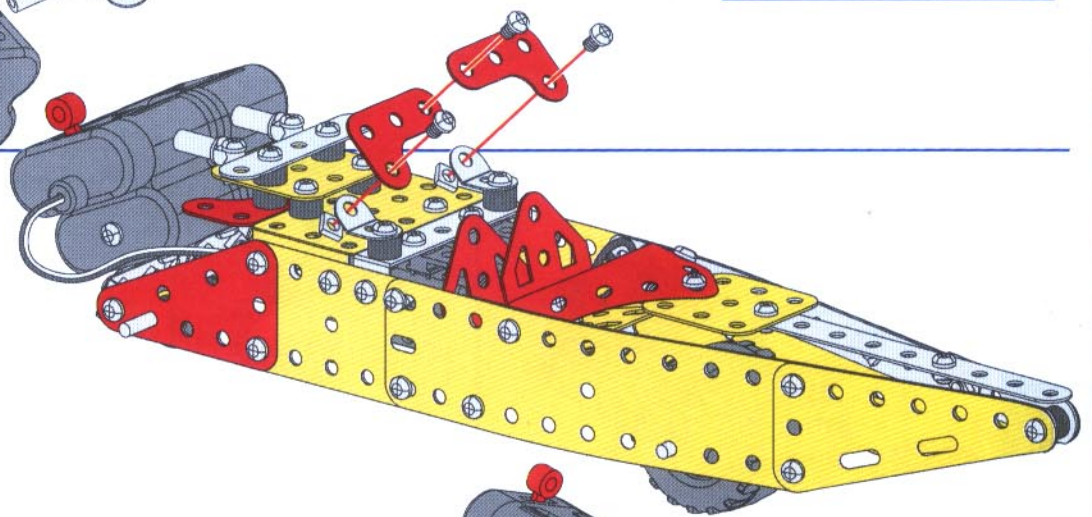
19 18+



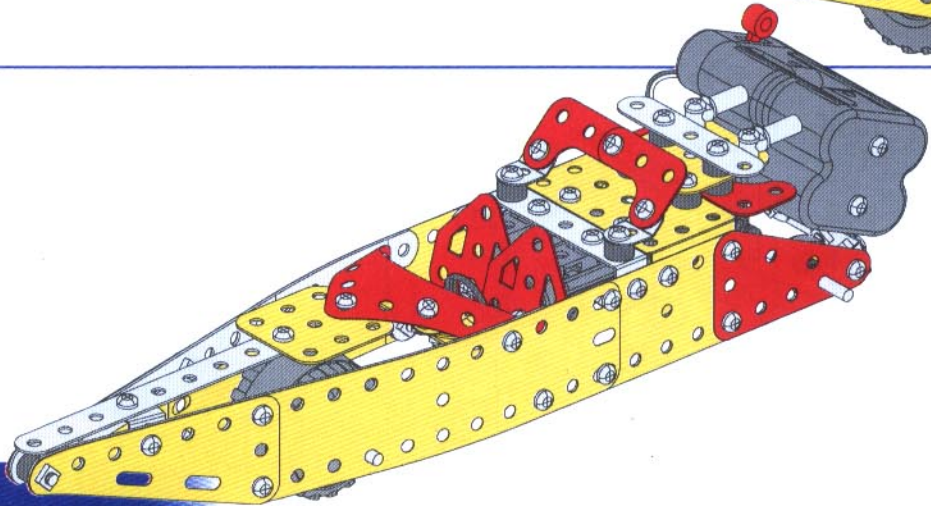
20 19+



21 20+



22





1

- Yellow Technic beam 1x5: x1
- Grey Technic beam 1x3: x1
- Grey Technic pin: x1
- Black Technic axle 5.8 mm: x1

2

- Black Technic gear: x1
- Grey Technic bush: x1
- Black Technic axle 23 mm: x1

3 **1+** **2+**

- Black Technic bush: x2
- Grey Technic bush: x2
- Black Technic axle 9.5 mm: x2

4

- Yellow Technic beam 1x5: x1
- Yellow Technic plate 1x5: x1
- Grey Technic beam 1x3: x1
- Black Technic pin: x4
- Black Technic axle 5.8 mm: x4

5 **3+** **4+**

- Grey Technic bush: x1

6 **5+**

- Red Technic plate 1x5: x1
- Grey Technic beam 1x3: x1
- Grey Technic beam 1x2: x1
- Black Technic pin: x2
- Black Technic axle 5.8 mm: x2

7

- Yellow Technic plate 1x3: x1
- Grey Technic beam 1x2: x1
- Black Technic bush: x1
- Grey Technic bush: x1
- Black Technic axle 12 mm: x1

8 **6+** **7+**

- Grey Technic beam 1x5: x1
- Grey Technic beam 1x3: x1
- Red Technic plate 1x3: x1
- Grey Technic beam 1x2: x1
- Black Technic pin: x5
- Black Technic axle 5.8 mm: x5

9

- Black Technic wheel: x1
- Grey Technic beam 1x2: x2
- Grey Technic bush: x3
- Black Technic axle 14.7 mm: x1
- Black Technic axle 5.8 mm: x1

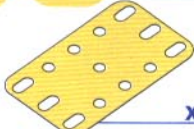



10 **9+**

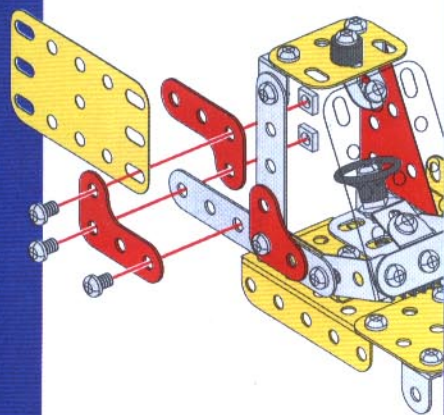
- Grey Technic plate 1x7: x1
- Grey Technic beam 1x3: x1
- Black Technic pin: x1
- Black Technic axle 5.8 mm: x1
- Grey Technic bush: x1

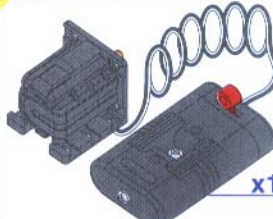

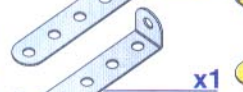

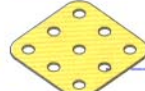





11 **8+** **10+**

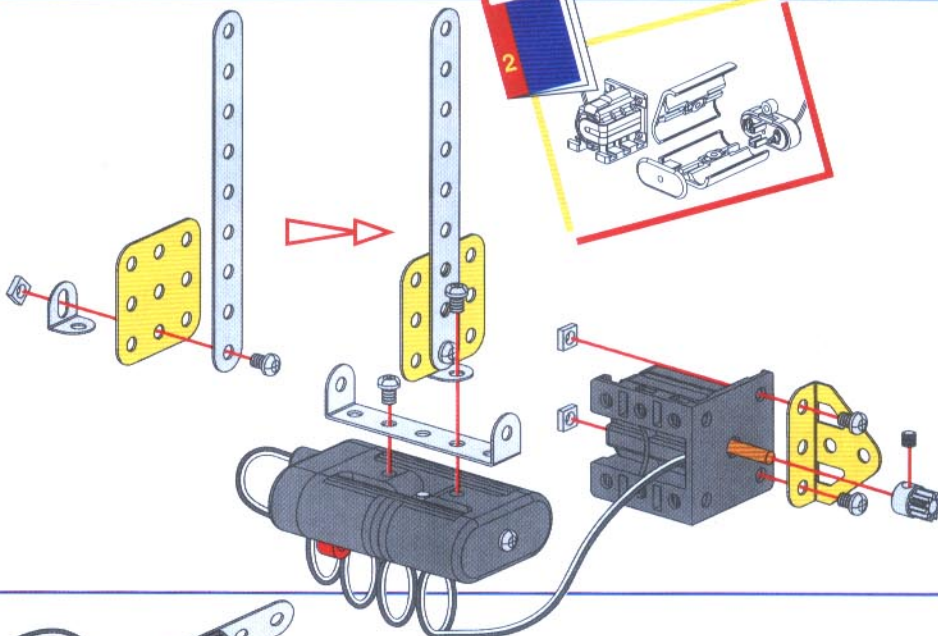
- Black Technic pin: x3
- Black Technic axle 5.8 mm: x3

12 11+


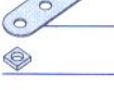


-  x1
-  x2
-  x3
-  5,8 mm 15/64" x3

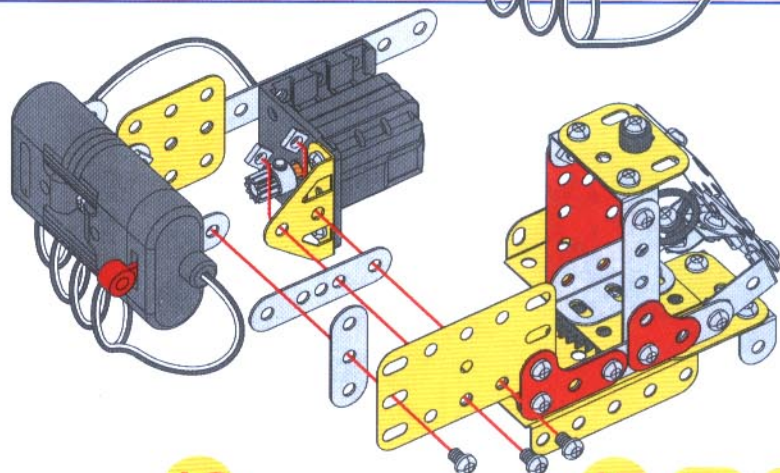


-  x1
-  x1
-  x1
-  x1
-  x1
-  x1
-  x1
-  x3
-  x1
-  5,8 mm 15/64" x5





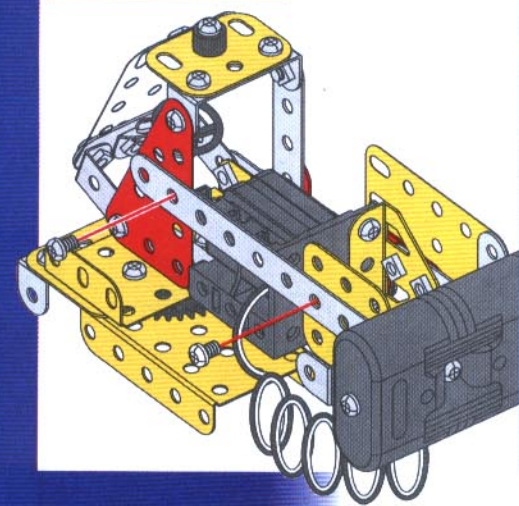
14 12+ 13+

-  x1
-  x1
-  x3
-  5,8 mm 15/64" x3


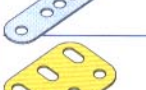





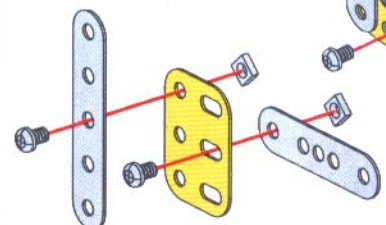
15 14+

-  x2
-  5,8 mm 15/64" x2



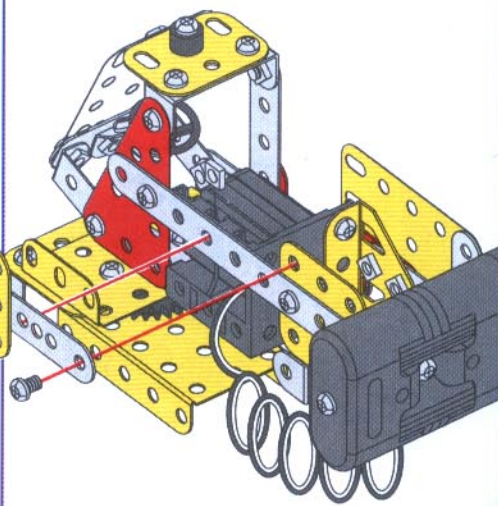
16

-  x1
-  x1
-  x1
-  x2
-  5,8 mm 15/64" x2



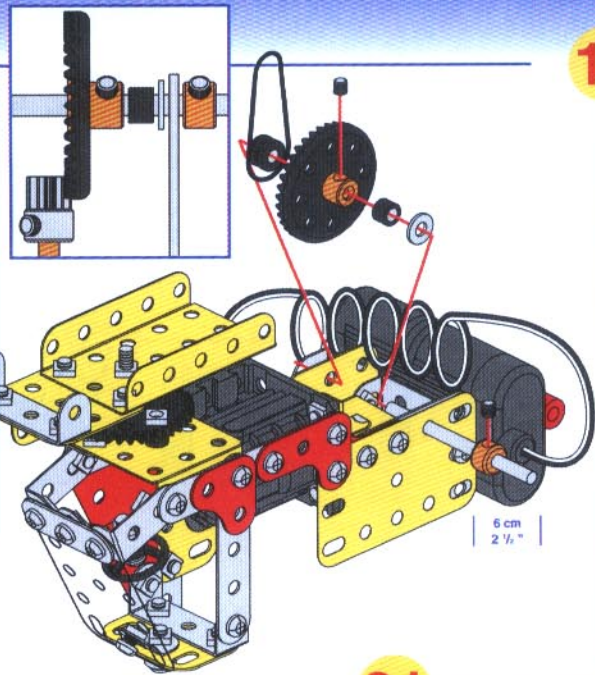
17 15+ 16+

-  x2
-  5,8 mm 15/64" x2



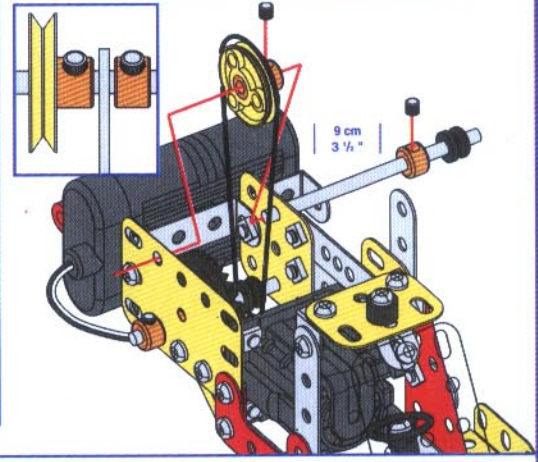
18 17+

- x1
- x1
- x1
- x1
- x1
- x1
- x2
- x1
- x1



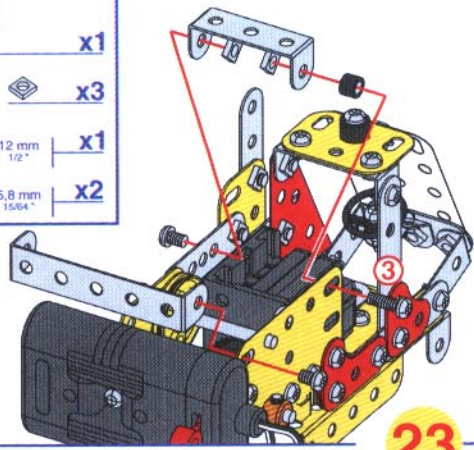
19 18+

- x1
- x1
- x2
- x1
- x1
- x1

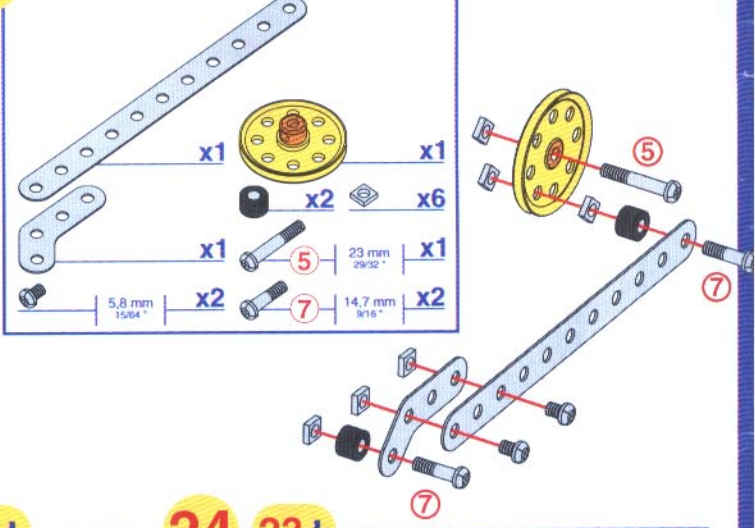


20 19+

- x1
- x1
- x1
- x3
- x1
- x2

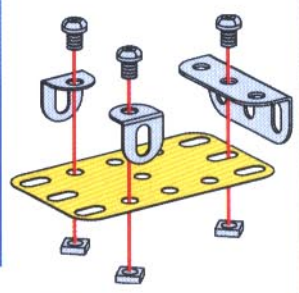


21



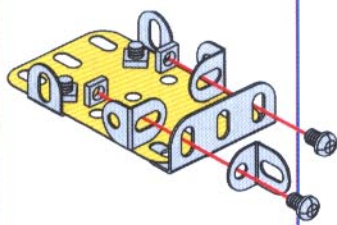
22

- x1
- x1
- x2
- x3
- x3



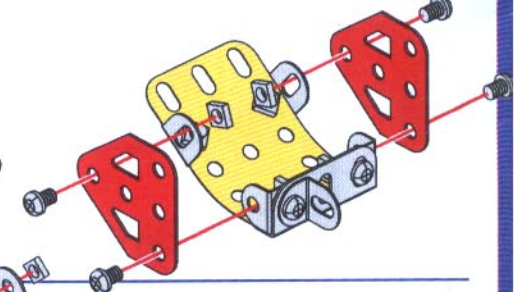
23 22+

- x3
- x2
- x2



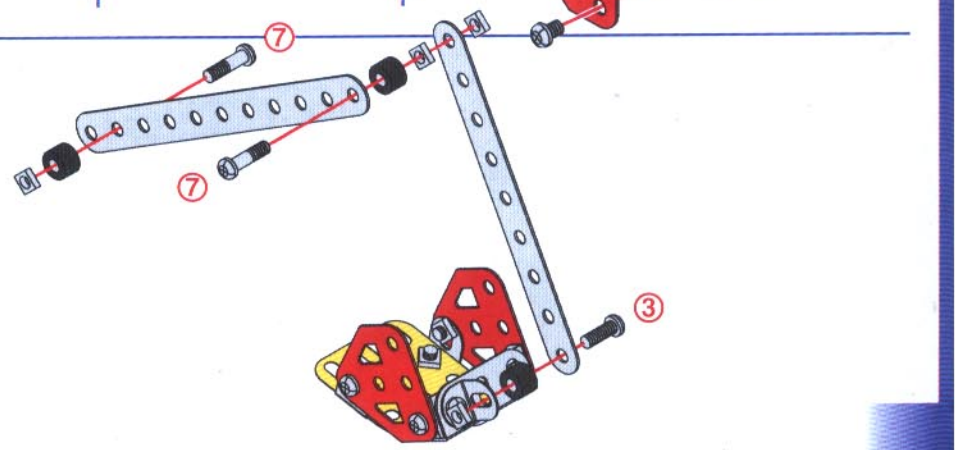
24 23+

- x4
- x2
- x4

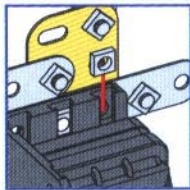
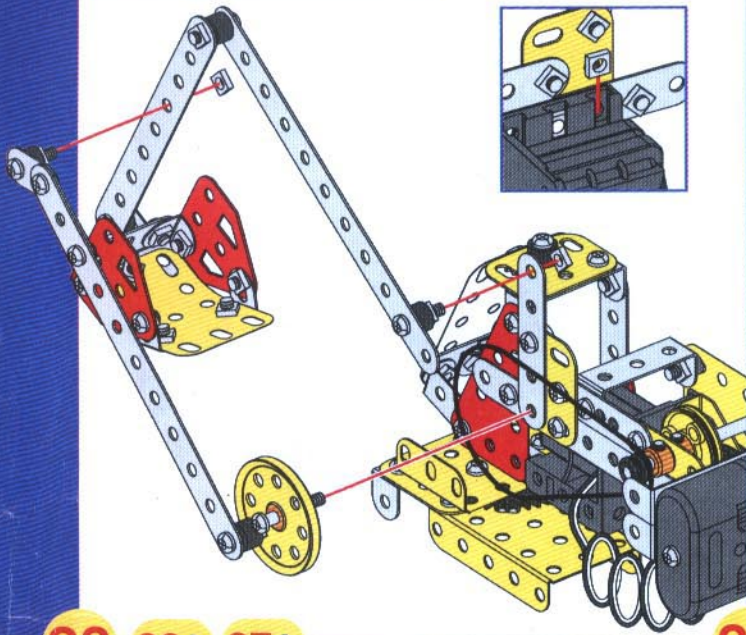


25 24+

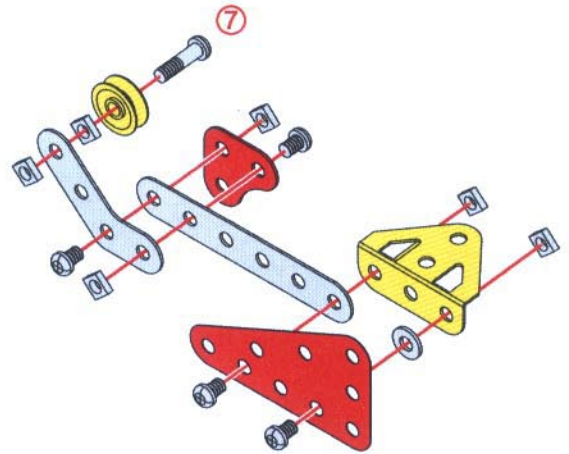
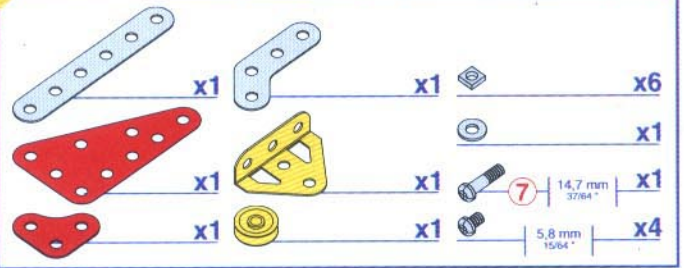
- x1
- x1
- x3
- x4
- x2
- x1



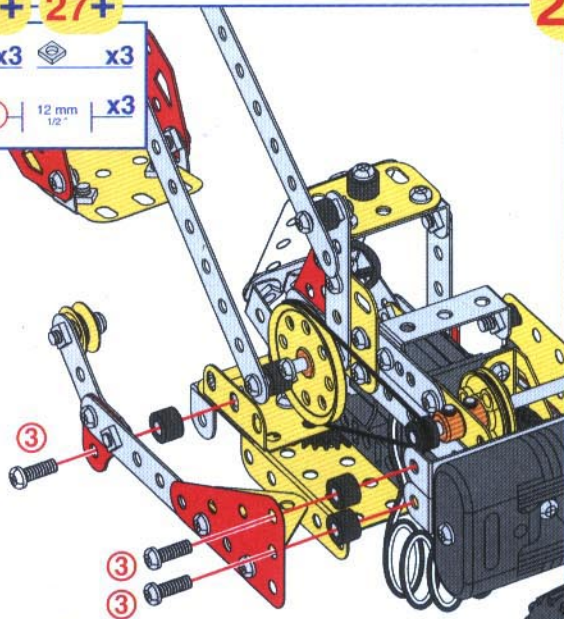
26 20+ 21+ 25+



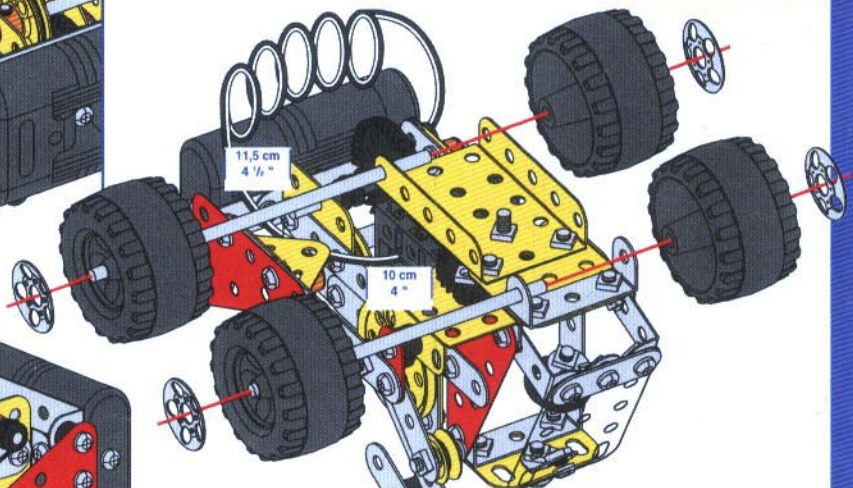
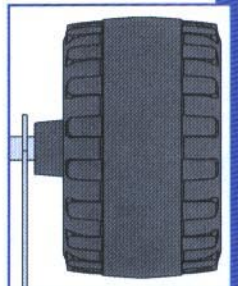
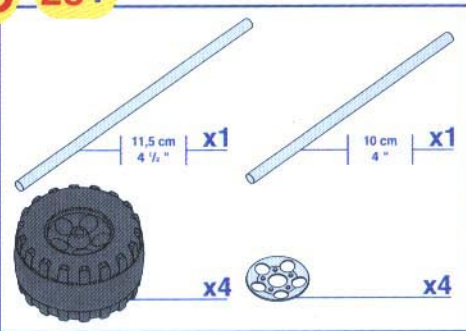
27



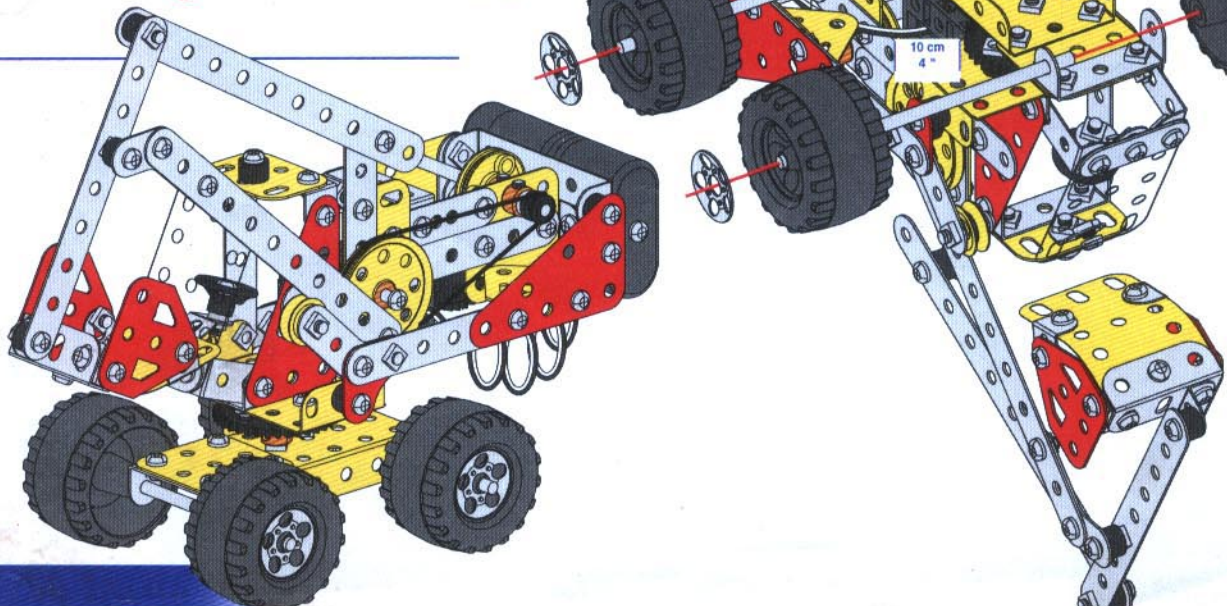
28 26+ 27+



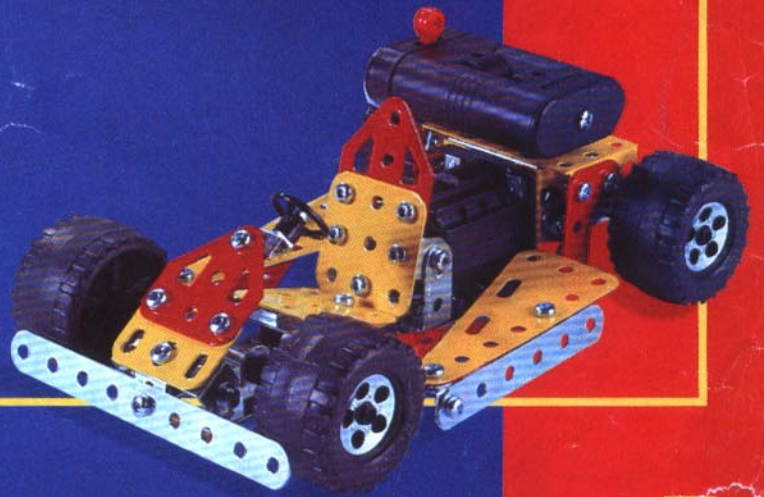
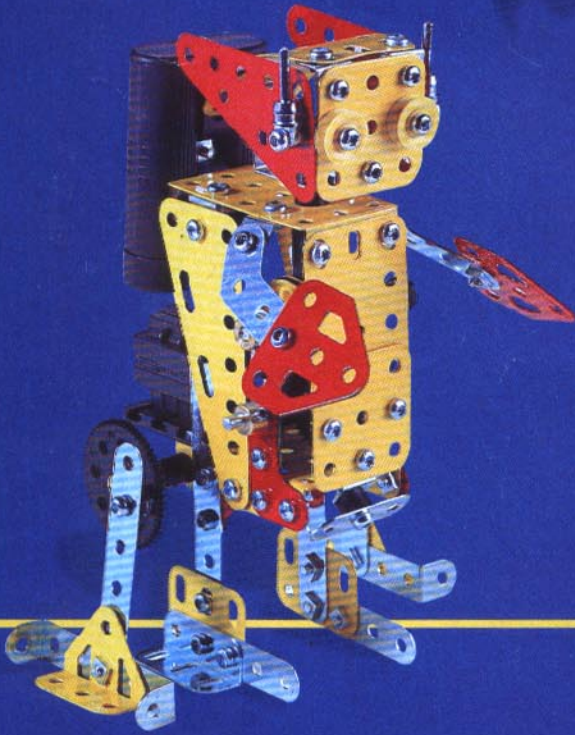
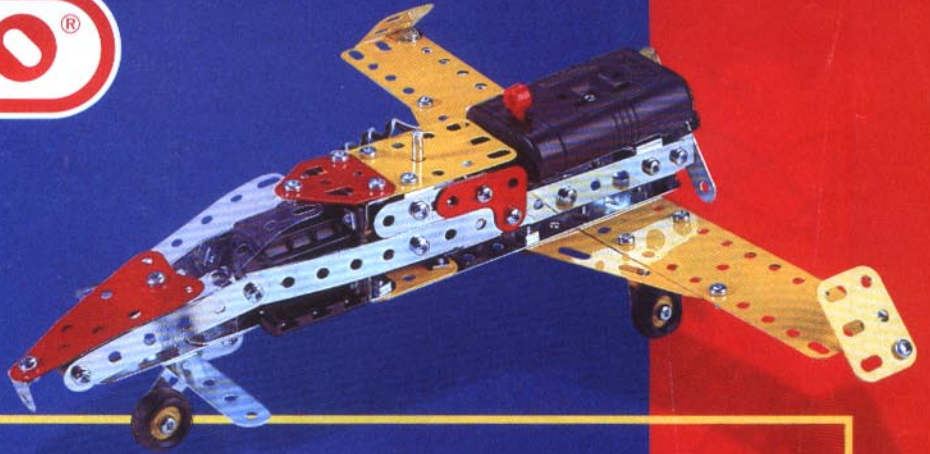
29 28+



30



MECCANO[®]



4

